



ENGINEERING MECHANICS
STATICS
TWELFTH EDITION

R. C. HIBBELER

www.semeng.ir

ENGINEERING MECHANICS

STATICS ~~AND~~ ~~DYNAMICS~~

TWELFTH EDITION

R. C. HIBBELER

PRENTICE HALL
Upper Saddle River, NJ 07458

www.semeng.ir

Library of Congress Cataloging-in-Publication Data on File

Vice President and Editorial Director, ECS: *Marcia Horton*
Acquisitions Editor: *Tacy Quinn*
Associate Editor: *Dee Bernhard*
Editorial Assistant: *Bernadette Marciniak*
Managing Editor: *Scott Disanno*
Production Editor: *Rose Kernan*
Art Director, Interior and Cover Designer: *Kenny Beck*
Art Editor: *Gregory Dulles*
Media Editor: *Daniel Sandin*
Operations Specialist: *Lisa McDowell*
Manufacturing Manager: *Alexis Heydt-Long*
Senior Marketing Manager: *Tim Galligan*

About the Cover: Background image: Pulleys on Elevator Traction Wheels/Getty/The Image Bank/Sandra Baker
Inset image: Elevator in a Business Center/Shutterstock/Khafizor Ivan Harisovich

© 2010 by R.C. Hibbeler
Published by Pearson Prentice Hall
Pearson Education, Inc.
Upper Saddle River, New Jersey 07458

All rights reserved. No part of this book may be reproduced or transmitted in any form or by any means, without permission in writing from the publisher.

Pearson Prentice Hall™ is a trademark of Pearson Education, Inc.

The author and publisher of this book have used their best efforts in preparing this book. These efforts include the development, research, and testing of the theories and programs to determine their effectiveness. The author and publisher shall not be liable in any event for incidental or consequential damages with, or arising out of, the furnishing, performance, or use of these programs.

Pearson Education Ltd., *London*
Pearson Education Australia Pty. Ltd., *Sydney*
Pearson Education Singapore, Pte. Ltd.
Pearson Education North Asia Ltd., *Hong Kong*
Pearson Education Canada, Inc., *Toronto*
Pearson Educación de Mexico, S.A. de C.V.
Pearson Education—Japan, *Tokyo*
Pearson Education Malaysia, Pte. Ltd.
Pearson Education, Inc., *Upper Saddle River, New Jersey*

Prentice Hall
is an imprint of



www.pearsonhighered.com

Printed in the United States of America

10 9 8 7 6 5 4 3 2 1

ISBN-10: 0-13-814929-1

ISBN-13: 978-0-13-814929-1

To the Student

With the hope that this work will stimulate an interest in Engineering Mechanics and provide an acceptable guide to its understanding.

The main purpose of this book is to provide the student with a clear and thorough presentation of the theory and application of engineering mechanics. To achieve this objective, this work has been shaped by the comments and suggestions of hundreds of reviewers in the teaching profession, as well as many of the author's students. The twelfth edition of this book has been significantly enhanced from the previous edition and it is hoped that both the instructor and student will benefit greatly from these improvements.

New Features

Fundamental Problems. These problem sets are located just after the example problems. They offer students simple applications of the concepts and, therefore, provide them with the chance to develop their problem-solving skills before attempting to solve any of the standard problems that follow. You may consider these problems as extended examples since they *all have partial solutions and answers* that are given in the back of the book. Additionally, the fundamental problems offer students an excellent means of studying for exams; and they can be used at a later time as a preparation for the Fundamentals in Engineering Exam.

Content Revisions. Each section of the text was carefully reviewed and, in many areas, the material has been redeveloped to better explain the concepts. This has included adding or changing several of the examples in order to provide more emphasis on the applications of the important concepts.

Conceptual Problems. Throughout the text, usually at the end of each chapter, there is a set of problems that involve conceptual situations related to the application of the mechanics principles contained in the chapter. These analysis and design problems are intended to engage the students in thinking through a real-life situation as depicted in a photo. They can be assigned after the students have developed some expertise in the subject matter.

Additional Photos. The relevance of knowing the subject matter is reflected by the real world applications depicted in over 120 new and updated photos placed throughout the book. These photos are generally used to explain how the principles of mechanics apply to real-world situations. In some sections, photographs have been used to show how engineers must first make an idealized model for analysis and then proceed to draw a free-body diagram of this model in order to apply the theory.

New Problems. There are approximately 50%, or about 1600, new problems added to this edition including aerospace and petroleum engineering, and biomechanics applications. Also, this new edition now has approximately 17% more problems than in the previous edition.

Hallmark Features

Besides the new features mentioned above, other outstanding features that define the contents of the text include the following.

Organization and Approach. Each chapter is organized into well-defined sections that contain an explanation of specific topics, illustrative example problems, and a set of homework problems. The topics within each section are placed into subgroups defined by boldface titles. The purpose of this is to present a structured method for introducing each new definition or concept and to make the book convenient for later reference and review.

Chapter Contents. Each chapter begins with an illustration demonstrating a broad-range application of the material within the chapter. A bulleted list of the chapter contents is provided to give a general overview of the material that will be covered.

Emphasis on Free-Body Diagrams. Drawing a free-body diagram is particularly important when solving problems, and for this reason this step is strongly emphasized throughout the book. In particular, special sections and examples are devoted to show how to draw free-body diagrams. Specific homework problems have also been added to develop this practice.

Procedures for Analysis. A general procedure for analyzing any mechanical problem is presented at the end of the first chapter. Then this procedure is customized to relate to specific types of problems that are covered throughout the book. This unique feature provides the student with a logical and orderly method to follow when applying the theory. The example problems are solved using this outlined method in order to clarify its numerical application. Realize, however, that once the relevant principles have been mastered and enough confidence and judgment have been obtained, the student can then develop his or her own procedures for solving problems.

Important Points. This feature provides a review or summary of the most important concepts in a section and highlights the most significant points that should be realized when applying the theory to solve problems.

Conceptual Understanding. Through the use of photographs placed throughout the book, theory is applied in a simplified way in order to illustrate some of its more important conceptual features and instill the physical meaning of many of the terms used in the equations. These simplified applications increase interest in the subject matter and better prepare the student to understand the examples and solve problems.

Homework Problems. Apart from the Fundamental and Conceptual type problems mentioned previously, other types of problems contained in the book include the following:

- **Free-Body Diagram Problems.** Some sections of the book contain introductory problems that only require drawing the free-body diagram for the specific problems within a problem set. These assignments will impress upon the student the importance of mastering this skill as a requirement for a complete solution of any equilibrium problem.
- **General Analysis and Design Problems.** The majority of problems in the book depict realistic situations encountered in engineering practice. Some of these problems come from actual products used in industry. It is hoped that this realism will both stimulate the student's interest in engineering mechanics and provide a means for developing the skill to reduce any such problem from its physical description to a model or symbolic representation to which the principles of mechanics may be applied.

Throughout the book, there is an approximate balance of problems using either SI or FPS units. Furthermore, in any set, an attempt has been made to arrange the problems in order of increasing difficulty except for the end of chapter review problems, which are presented in random order.

- **Computer Problems.** An effort has been made to include some problems that may be solved using a numerical procedure executed on either a desktop computer or a programmable pocket calculator. The intent here is to broaden the student's capacity for using other forms of mathematical analysis without sacrificing the time needed to focus on the application of the principles of mechanics. Problems of this type, which either can or must be solved using numerical procedures, are identified by a "square" symbol (■) preceding the problem number.

With so many homework problems in this new edition, they have now been placed in three different categories. Problems that are simply indicated by a problem number have an answer given in the back of the book. If a bullet (•) proceeds the problem number, then a suggestion, key equation, or additional numerical result is given along with the answer. Finally, an asterisk (*) before every fourth problem number indicates a problem without an answer.

Accuracy. As with the previous editions, apart from the author, the accuracy of the text and problem solutions has been thoroughly checked by four other parties: Scott Hendricks, Virginia Polytechnic Institute and State University; Karim Nohra, University of South Florida; Kurt Norlin, Laurel Tech Integrated Publishing Services; and finally Kai Beng, a practicing engineer, who in addition to accuracy review provided content development suggestions.

Contents

Statics

The subject of Statics is covered in the first 11 chapters, in which the principles are first applied to simple, then to more complicated situations. In a general sense, each principle is applied first to a particle, then a rigid body subjected to a coplanar system of forces, and finally to three-dimensional force systems acting on a rigid body.

Chapter 1 begins with an introduction to mechanics and a discussion of units. The vector properties of a concurrent force system are introduced in Chapter 2. This theory is then applied to the equilibrium of a particle in Chapter 3. Chapter 4 contains a general discussion of both concentrated and distributed force systems and the methods used to simplify them. The principles of rigid-body equilibrium are developed in Chapter 5 and then applied to specific problems involving the equilibrium of trusses, frames, and machines in Chapter 6, and to the analysis of internal forces in beams and cables in Chapter 7. Applications to problems involving frictional forces are discussed in Chapter 8, and topics related to the center of gravity and centroid are treated in Chapter 9. If time permits, sections involving more advanced topics, indicated by stars (★), may be covered. Most of these topics are included in Chapter 10 (area and mass moments of inertia) and Chapter 11 (virtual work and potential energy). Note that this material also provides a suitable reference for basic principles when it is discussed in more advanced courses. Finally, Appendix A provides a review and list of mathematical formulas needed to solve the problems in the book.

Alternative Coverage. At the discretion of the instructor, some of the material may be presented in a different sequence with no loss of continuity. For example, it is possible to introduce the concept of a force and all the necessary methods of vector analysis by first covering Chapter 2 and Section 4.2 (the cross product). Then after covering the rest of Chapter 4 (force and moment systems), the equilibrium methods of Chapters 3 and 5 can be discussed.

Dynamics

The kinematics of a particle is discussed in Chapter 12, followed by a discussion of particle kinetics in Chapter 13 (Equation of Motion), Chapter 14 (Work and Energy), and Chapter 15 (Impulse and Momentum). The concepts of particle dynamics contained in these four chapters are then summarized in a “review” section, and the student is given the chance to identify and solve a variety of problems. A similar sequence of presentation is given for the planar motion of a rigid body: Chapter 16 (Planar Kinematics), Chapter 17 (Equations of Motion), Chapter 18 (Work and Energy), and Chapter 19 (Impulse and Momentum), followed by a summary and review set of problems for these chapters.

If time permits, some of the material involving three-dimensional rigid-body motion may be included in the course. The kinematics and kinetics of this motion are discussed in Chapters 20 and 21, respectively. Chapter 22 (Vibrations) may be included if the student has the necessary mathematical background. Sections of the book that are considered to be beyond the scope of the basic dynamics course are indicated by a star (★) and may be omitted. Note that this material also provides a suitable reference for basic principles when it is discussed in more advanced courses. Finally, Appendix A provides a list of mathematical formulas needed to solve the problems in the book, Appendix B provides a brief review of vector analysis, and Appendix C reviews application of the chain rule.

Alternative Coverage. At the discretion of the instructor, it is possible to cover Chapters 12 through 19 in the following order with no loss in continuity: Chapters 12 and 16 (Kinematics), Chapters 13 and 17 (Equations of Motion), Chapter 14 and 18 (Work and Energy), and Chapters 15 and 19 (Impulse and Momentum).

Acknowledgments

The author has endeavored to write this book so that it will appeal to both the student and instructor. Through the years, many people have helped in its development, and I will always be grateful for their valued suggestions and comments. Specifically, I wish to thank the following individuals who have contributed their comments relative to preparing the twelfth edition of this work.

Yesh P. Singh, *University of Texas–San Antonio*
 Manoj Chopra, *University of Central Florida*
 Kathryn McWilliams, *University of Saskatchewan*
 Daniel Linzell, *Penn State University*
 Larry Banta, *West Virginia University*
 Manohar L. Arora, *Colorado School of Mines*
 Robert Rennaker, *University of Oklahoma*
 Ahmad M. Itani, *University of Nevada*
 Per Reinhall, *University of Washington*
 Faissal A. Moslehy, *University of Central Florida*
 Richard R. Neptune, *University of Texas at Austin*
 Robert Rennaker, *University of Oklahoma*

There are a few people that I feel deserve particular recognition. Vince O'Brien, Director of Team-Based Project Management, and Rose Kernan, my production editor for many years, have both provided me with their encouragement and support. Frankly, without their help, this totally revised and enhanced edition would not be possible. Furthermore a long-time friend and associate, Kai Beng Yap, was of great help to me in checking the entire manuscript and helping to prepare the problem solutions. A special note of thanks also goes to Kurt Norlin of Laurel Tech Integrated Publishing Services in this regard. During the production process I am thankful for the assistance of my wife, Conny, and daughter, Mary Ann, with the proofreading and typing needed to prepare the manuscript for publication.

Lastly, many thanks are extended to all my students and to members of the teaching profession who have freely taken the time to e-mail me their suggestions and comments. Since this list is too long to mention, it is hoped that those who have given help in this manner will accept this anonymous recognition.

I would greatly appreciate hearing from you if at any time you have any comments, suggestions, or problems related to any matters regarding this edition.

Russell Charles Hibbeler
hibbeler@bellsouth.net

MasteringENGINEERING™

MasteringEngineering is the most technologically advanced online tutorial and homework system. It tutors students individually while providing instructors with rich teaching diagnostics.

MasteringEngineering is built upon the same platform as MasteringPhysics, the only online physics homework system with research showing that it improves student learning. A wide variety of published papers based on NSF-sponsored research and tests illustrate the benefits of MasteringEngineering. To read these papers, please visit www.masteringengineering.com.

MasteringEngineering for Students

MasteringEngineering improves understanding. As an Instructor-assigned homework and tutorial system, MasteringEngineering is designed to provide students with customized coaching and individualized feedback to help improve problem-solving skills. Students complete homework efficiently and effectively with tutorials that provide targeted help.

▼ **Immediate and specific feedback** on wrong answers coach students individually. Specific feedback on common errors helps explain why a particular answer is not correct.

The screenshot shows a problem titled "Pushing a Chair along the Floor". The problem text states: "A chair of weight 145 N lies atop a horizontal floor, the floor is not frictionless. You friend, Francis, pushes on the chair with a force of $F = 45.0$ N directed at an angle of 41.0° below the horizontal. Assume that the chair is not moving along the floor but is on the verge of sliding." Below the text is an illustration of a person pushing a chair. The interface is divided into "Part A" and "Part B". Part A asks for the normal force N and has a text input field with "0" entered. Part B asks for the coefficient of static friction μ_s and has a text input field with "0" entered. A "Feedback" box is highlighted with a purple border and contains the text: "If the normal force that the floor exerts on the chair were equal to zero, there would be no contact between the chair and the floor and the chair would be suspended above the floor." To the right of the main interface is a separate box containing four hints, each with an "Open" button.

- Hint 1. How to approach the problem
- Hint 2. Draw the free-body diagram
- Hint 3. Find the net vertical force
- Hint 4. Find the vertical component of the force exerted on the chair

▲ **Hints provide individualized coaching.** Skip the hints you don't need and access only the ones that you need, for the most efficient path to the correct solution.

MasteringEngineering for Instructors

Incorporate dynamic homework into your course with automatic grading and adaptive tutoring. Choose from a wide variety of stimulating problems, including free-body diagram drawing capabilities, algorithmically-generated problem sets, and more.

MasteringEngineering emulates the instructor's office-hour environment, coaching students on problem-solving techniques by asking students simpler sub-questions.

Gradebook for MPE5MTH0502

Filter: Showing difficulty of homework items for section 1 compared to Class Average

Name	Week 1	Week 2	Week 3	Week 4	Week 5	Week 6	Week 7	Week 8	Week 9	Week 10	Week 11	Total
Egan, Liam	98	103	103	107	108	105	102	148	81	91	93	104
Guffman, Amy	97	88	98	97	99	96	98	99	99	99	98	97
Diablo, Maria	100	65	97	88	95	90	90	90	89	99	89	89
Hawn, Gerald	98	97	96	98	95	97	96	95	94	96	98	96
Jowett, Adam	98	95	95	95	97	98	96	92	94	95	96	96
Mozart, Wanda	95	103	105	105	107	118	99	147	98	99	95	106
Polcny, Matthew	100	13	90	85	20	90	11	90	91	90	70	69
Sanchez, Tony	100	104	105	105	108	104	102	145	99	98	97	106
Spiteri, Darren	93	65	91	14	90	87	87	87	90	91	87	75
Wang, Kristina	100	89	89	87	89	86	90	87	87	89	90	89
Williams, Chelsea	100	95	93	92	94	98	87	99	91	96	94	95
Wilson, Peggy	93	88	88	20	90	92						
Woo, Jennifer	100	95	96	98	97	95						

◀ **Color-coded gradebook** instantly identifies students in difficulty, or challenging areas for your class.

▶ **One click compiles all your favorite teaching diagnostics**—the hardest problem, class grade distribution, even which students are spending the most or the least time on homework.



Contact your Pearson Prentice Hall representative for more information.

Resources for Instructors

- **Instructor's Solutions Manuals.** These supplements provide complete solutions supported by problem statements and problem figures. The twelfth edition manuals were revised to improve readability and was triple accuracy checked.
 - **Instructor's Resource CD-ROM.** Visual resources to accompany the text are located on this CD as well as on the Pearson Higher Education website: www.pearsonhighered.com. If you are in need of a login and password for this site, please contact your local Pearson representative. Visual resources include all art from the text, available in PowerPoint slide and JPEG format.
 - **Video Solutions.** Developed by Professor Edward Berger, University of Virginia, video solutions are located on the Companion Website for the text and offer step-by-step solution walkthroughs of representative homework problems from each section of the text. Make efficient use of class time and office hours by showing students the complete and concise problem-solving approaches that they can access any time and view at their own pace. The videos are designed to be a flexible resource to be used however each instructor and student prefers. A valuable tutorial resource, the videos are also helpful for student self-evaluation as students can pause the videos to check their understanding and work alongside the video. Access the videos at www.prenhall.com/hibbeler and follow the links for the *Engineering Mechanics: Statics and Dynamics*, Twelfth Edition text.
-

Resources for Students

- **Statics and Dynamics Study Packs.** These supplements contains chapter-by-chapter study materials, a Free-Body Diagram Workbook and access to the Companion Website where additional tutorial resources are located.
 - **Companion Website.** The Companion Website, located at www.prenhall.com/hibbeler, includes opportunities for practice and review including:
 - **Video Solutions**—Complete, step-by-step solution walkthroughs of representative homework problems from each section. Videos offer:
 - **Fully worked Solutions**—Showing every step of representative homework problems, to help students make vital connections between concepts.
 - **Self-paced Instruction**—Students can navigate each problem and select, play, rewind, fast-forward, stop, and jump-to-sections within each problem's solution.
 - **24/7 Access**—Help whenever students need it with over 20 hours of helpful review. An access code for the *Engineering Mechanics: Statics and Dynamics*, Twelfth Edition website is included inside the *Statics Study Pack* or the *Dynamics Study Pack*. To redeem the code and gain access to the site, go to www.prenhall.com/hibbeler and follow the directions on the access code card. Access can also be purchased directly from the site.
 - **Statics and Dynamics Practice Problems Workbooks.** These workbooks contain additional worked problems. The problems are partially solved and are designed to help guide students through difficult topics.
-

Ordering Options

The *Statics Study Pack* and MasteringEngineering resources are available as stand-alone items for student purchase and are also available packaged with the texts. The ISBN for each valuepack is as follows:

- *Engineering Mechanics: Statics* with Study Pack: 0-13-246200-1
- *Engineering Mechanics: Statics* with Study Pack and MasteringEngineering Student Access Card: 0-13-701629-8

The *Dynamics Study Pack* and MasteringEngineering resources are available as stand-alone items for student purchase and are also available packaged with the texts. The ISBN for each valuepack is as follows:

- *Engineering Mechanics: Dynamics* with Study Pack: 0-13-700239-4
 - *Engineering Mechanics: Dynamics* with Study Pack and MasteringEngineering Student Access Card: 0-13-701630-1
-

Custom Solutions

New options for textbook customization are now available for *Engineering Mechanics*, Twelfth Edition. Please contact your local Pearson/Prentice Hall representative for details.

CONTENTS

1 General Principles 3



Chapter Objectives 3

- 1.1 Mechanics 3
- 1.2 Fundamental Concepts 4
- 1.3 Units of Measurement 7
- 1.4 The International System of Units 9
- 1.5 Numerical Calculations 10
- 1.6 General Procedure for Analysis 12

2 Force Vectors 17



Chapter Objectives 17

- 2.1 Scalars and Vectors 17
- 2.2 Vector Operations 18
- 2.3 Vector Addition of Forces 20
- 2.4 Addition of a System of Coplanar Forces 32
- 2.5 Cartesian Vectors 43
- 2.6 Addition of Cartesian Vectors 46
- 2.7 Position Vectors 56
- 2.8 Force Vector Directed Along a Line 59
- 2.9 Dot Product 69

3 Equilibrium of a Particle 85



Chapter Objectives 85

- 3.1 Condition for the Equilibrium of a Particle 85
- 3.2 The Free-Body Diagram 86

- 3.3 Coplanar Force Systems 89
- 3.4 Three-Dimensional Force Systems 103

4 Force System Resultants 117



Chapter Objectives 117

- 4.1 Moment of a Force—Scalar Formulation 117
- 4.2 Cross Product 121
- 4.3 Moment of a Force—Vector Formulation 124
- 4.4 Principle of Moments 128
- 4.5 Moment of a Force about a Specified Axis 139
- 4.6 Moment of a Couple 148
- 4.7 Simplification of a Force and Couple System 160
- 4.8 Further Simplification of a Force and Couple System 170
- 4.9 Reduction of a Simple Distributed Loading 183

5 Equilibrium of a Rigid Body 199



Chapter Objectives 199

- 5.1 Conditions for Rigid-Body Equilibrium 199
- 5.2 Free-Body Diagrams 201
- 5.3 Equations of Equilibrium 214
- 5.4 Two- and Three-Force Members 224
- 5.5 Free-Body Diagrams 237
- 5.6 Equations of Equilibrium 242
- 5.7 Constraints and Statical Determinacy 243

6 Structural Analysis 263



Chapter Objectives 263

- 6.1 Simple Trusses 263
- 6.2 The Method of Joints 266
- 6.3 Zero-Force Members 272
- 6.4 The Method of Sections 280
- 6.5 Space Trusses 290
- 6.6 Frames and Machines 294

7 Internal Forces 329



Chapter Objectives 329

- 7.1 Internal Forces Developed in Structural Members 329
- 7.2 Shear and Moment Equations and Diagrams 345
- 7.3 Relations between Distributed Load, Shear, and Moment 354
- 7.4 Cables 365

8 Friction 387



Chapter Objectives 387

- 8.1 Characteristics of Dry Friction 387
- 8.2 Problems Involving Dry Friction 392
- 8.3 Wedges 412
- 8.4 Frictional Forces on Screws 414

- 8.5 Frictional Forces on Flat Belts 421
- 8.6 Frictional Forces on Collar Bearings, Pivot Bearings, and Disks 429
- 8.7 Frictional Forces on Journal Bearings 432
- 8.8 Rolling Resistance 434

9 Center of Gravity and Centroid 447



Chapter Objectives 447

- 9.1 Center of Gravity, Center of Mass, and the Centroid of a Body 447
- 9.2 Composite Bodies 470
- 9.3 Theorems of Pappus and Guldinus 484
- 9.4 Resultant of a General Distributed Loading 493
- 9.5 Fluid Pressure 494

10 Moments of Inertia 511



Chapter Objectives 511

- 10.1 Definition of Moments of Inertia for Areas 511
- 10.2 Parallel-Axis Theorem for an Area 512
- 10.3 Radius of Gyration of an Area 513
- 10.4 Moments of Inertia for Composite Areas 522
- 10.5 Product of Inertia for an Area 530
- 10.6 Moments of Inertia for an Area about Inclined Axes 534
- 10.7 Mohr's Circle for Moments of Inertia 537
- 10.8 Mass Moment of Inertia 545

11**Virtual Work 563**

Chapter Objectives 563

- 11.1 Definition of Work 563
- 11.2 Principle of Virtual Work 565
- 11.3 Principle of Virtual Work for a System of Connected Rigid Bodies 567
- 11.4 Conservative Forces 579
- 11.5 Potential Energy 580
- 11.6 Potential-Energy Criterion for Equilibrium 582
- 11.7 Stability of Equilibrium Configuration 583

Appendix

- A. Mathematical Review and Expressions 598

Fundamental Problems Partial Solutions and Answers 603

Answers to Selected Problems 620

Index 650

12**Kinematics of a Particle 3**

Chapter Objectives 3

- 12.1 Introduction 3
- 12.2 Rectilinear Kinematics: Continuous Motion 5
- 12.3 Rectilinear Kinematics: Erratic Motion 19
- 12.4 General Curvilinear Motion 32

~~12.5 Curvilinear Motion: Rectangular Components 34~~

~~12.6 Motion of a Projectile 39~~

~~12.7 Curvilinear Motion: Normal and Tangential Components 53~~

~~12.8 Curvilinear Motion: Cylindrical Components 67~~

~~12.9 Absolute Dependent Motion Analysis of Two Particles 81~~

~~12.10 Relative-Motion of Two Particles Using Translating Axes 87~~

13**Kinetics of a Particle: Force and Acceleration 107**

Chapter Objectives 107

~~13.1 Newton's Second Law of Motion 107~~

~~13.2 The Equation of Motion 110~~

~~13.3 Equation of Motion for a System of Particles 112~~

~~13.4 Equations of Motion: Rectangular Coordinates 114~~

~~13.5 Equations of Motion: Normal and Tangential Coordinates 131~~

~~13.6 Equations of Motion: Cylindrical Coordinates 144~~

~~*13.7 Central-Force Motion and Space Mechanics 155~~

14**Kinetics of a Particle: Work and Energy 169**

Chapter Objectives 169

~~14.1 The Work of a Force 169~~

~~14.2 Principle of Work and Energy 174~~

~~14.3 Principle of Work and Energy for a System of Particles 176~~

Credits

Chapter 1, Space Shuttle Discovery lifts off from launch pad 39-1 at the Kennedy Space Center, May 31, 2008 in Cape Canaveral, Florida. The Space Shuttle is carrying the main unit of Japan's Kibo science lab to the International Space Station. Getty Images.

Chapter 1 text, Astronaut floating in space. Alamy Images Royalty Free.

Chapter 2, Erasmus suspension bridge, Rotterdam, Holland. Alamy Images.

Chapter 3, Prefabricated section of a building being hoisted into place by a large crane. Alamy Images.

Chapter 4, Engineer turns screws with spanner, close-up of hands. Getty Images/Digital Vision.

Chapter 5, Lifeboat being lifted by a mobile hydraulic crane, Grimsby, Humberside, North Lincolnshire, England, UK. Alamy Images.

Chapter 6, Fog lifting off the river running under a Pratt Truss steel bridge over the St. John River, New Brunswick, Canada at Perth Andover. Alamy Images.

Chapter 7, Reinforcing rods encased in concrete. Russ C. Hibbeler.

Chapter 8, Calliper brake on bicycle. Alamy Images.

Chapter 9, Water tower, Harmony, Bluff County, Minnesota. Alamy Images.

Chapter 10, Steel framework at construction site. Corbis Royalty Free.

Chapter 11, Crane boom. Getty Images Inc.—Stone Allstock.

Chapter 12, The United States Navy Blue Angels perform in an air show as part of San Francisco's Fleet Week celebration. ©Roger Ressmeyer/CORBIS. All Rights Reserved.

Chapter 13, Orange juice factory, elevated view. Getty Images.

Chapter 14, White roller coaster of the Mukogaokayuen ground, Kanagawa. ©Yoshio Kosaka/CORBIS. All Rights Reserved.

Chapter 15, Close-up of golf club hitting a golf ball off the tee. Alamy Images Royalty Free.

Chapter 16, Windmills in Livermore, part of an extensive wind farm, an alternative source of electrical power, California, United States. Brent Winebrenner/Lonely Planet Images/Photo 20-20.

Chapter 17, Burnout drag racing car at Santa Pod Raceway, England. Alamy Images.

Chapter 18, Drilling rig. Getty Images.

Chapter 19, NASA shuttle docking with the International Space Station. Dennis Hallinan/Alamy Images.

Chapter 20, Man watching robotic welding. ©Ted Horowitz/CORBIS. All Rights Reserved.

Chapter 21, A spinning Calypso ride provides a blur of bright colors at Waldameer Park and Water World in Erie, Pennsylvania. Jim Cole/Alamy Images.

Chapter 22, A train track and train wheel give great perspective to the size and power of railway transportation. Joe Belanger/Alamy Images

ENGINEERING MECHANICS

STATICS

TWELFTH EDITION



The design of this rocket and gantry structure requires a basic knowledge of both statics and dynamics, which form the subject matter of engineering mechanics.

www.semeng.ir

General Principles

1

CHAPTER OBJECTIVES

- To provide an introduction to the basic quantities and idealizations of mechanics.
- To give a statement of Newton's Laws of Motion and Gravitation.
- To review the principles for applying the SI system of units.
- To examine the standard procedures for performing numerical calculations.
- To present a general guide for solving problems.

1.1 Mechanics

Mechanics is a branch of the physical sciences that is concerned with the state of rest or motion of bodies that are subjected to the action of forces. In general, this subject can be subdivided into three branches: *rigid-body mechanics*, *deformable-body mechanics*, and *fluid mechanics*. In this book we will study rigid-body mechanics since it is a basic requirement for the study of the mechanics of deformable bodies and the mechanics of fluids. Furthermore, rigid-body mechanics is essential for the design and analysis of many types of structural members, mechanical components, or electrical devices encountered in engineering.

Rigid-body mechanics is divided into two areas: statics and dynamics. *Statics* deals with the equilibrium of bodies, that is, those that are either at rest or move with a constant velocity; whereas *dynamics* is concerned with the accelerated motion of bodies. We can consider statics as a special case of dynamics, in which the acceleration is zero; however, statics deserves separate treatment in engineering education since many objects are designed with the intention that they remain in equilibrium.

Historical Development. The subject of statics developed very early in history because its principles can be formulated simply from measurements of geometry and force. For example, the writings of Archimedes (287–212 B.C.) deal with the principle of the lever. Studies of the pulley, inclined plane, and wrench are also recorded in ancient writings—at times when the requirements for engineering were limited primarily to building construction.

Since the principles of dynamics depend on an accurate measurement of time, this subject developed much later. Galileo Galilei (1564–1642) was one of the first major contributors to this field. His work consisted of experiments using pendulums and falling bodies. The most significant contributions in dynamics, however, were made by Isaac Newton (1642–1727), who is noted for his formulation of the three fundamental laws of motion and the law of universal gravitational attraction. Shortly after these laws were postulated, important techniques for their application were developed by such notables as Euler, D’Alembert, Lagrange, and others.

1.2 Fundamental Concepts

Before we begin our study of engineering mechanics, it is important to understand the meaning of certain fundamental concepts and principles.

Basic Quantities. The following four quantities are used throughout mechanics.

Length. *Length* is used to locate the position of a point in space and thereby describe the size of a physical system. Once a standard unit of length is defined, one can then use it to define distances and geometric properties of a body as multiples of this unit.

Time. *Time* is conceived as a succession of events. Although the principles of statics are time independent, this quantity plays an important role in the study of dynamics.

Mass. *Mass* is a measure of a quantity of matter that is used to compare the action of one body with that of another. This property manifests itself as a gravitational attraction between two bodies and provides a measure of the resistance of matter to a change in velocity.

Force. In general, *force* is considered as a “push” or “pull” exerted by one body on another. This interaction can occur when there is direct contact between the bodies, such as a person pushing on a wall, or it can occur through a distance when the bodies are physically separated. Examples of the latter type include gravitational, electrical, and magnetic forces. In any case, a force is completely characterized by its magnitude, direction, and point of application.

Idealizations. Models or idealizations are used in mechanics in order to simplify application of the theory. Here we will consider three important idealizations.

Particle. A *particle* has a mass, but a size that can be neglected. For example, the size of the earth is insignificant compared to the size of its orbit, and therefore the earth can be modeled as a particle when studying its orbital motion. When a body is idealized as a particle, the principles of mechanics reduce to a rather simplified form since the geometry of the body *will not be involved* in the analysis of the problem.

Rigid Body. A *rigid body* can be considered as a combination of a large number of particles in which all the particles remain at a fixed distance from one another, both before and after applying a load. This model is important because the material properties of any body that is assumed to be rigid will not have to be considered when studying the effects of forces acting on the body. In most cases the actual deformations occurring in structures, machines, mechanisms, and the like are relatively small, and the rigid-body assumption is suitable for analysis.

Concentrated Force. A *concentrated force* represents the effect of a loading which is assumed to act at a point on a body. We can represent a load by a concentrated force, provided the area over which the load is applied is very small compared to the overall size of the body. An example would be the contact force between a wheel and the ground.



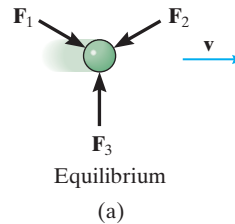
Three forces act on the hook at *A*. Since these forces all meet at a point, then for any force analysis, we can assume the hook to be represented as a particle.



Steel is a common engineering material that does not deform very much under load. Therefore, we can consider this railroad wheel to be a rigid body acted upon by the concentrated force of the rail.

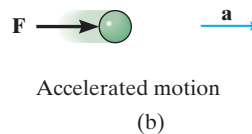
Newton's Three Laws of Motion. Engineering mechanics is formulated on the basis of Newton's three laws of motion, the validity of which is based on experimental observation. These laws apply to the motion of a particle as measured from a *nonaccelerating* reference frame. They may be briefly stated as follows.

First Law. A particle originally at rest, or moving in a straight line with constant velocity, tends to remain in this state provided the particle is *not* subjected to an unbalanced force, Fig. 1-1a.



Second Law. A particle acted upon by an *unbalanced force* \mathbf{F} experiences an acceleration \mathbf{a} that has the same direction as the force and a magnitude that is directly proportional to the force, Fig. 1-1b.* If \mathbf{F} is applied to a particle of mass m , this law may be expressed mathematically as

$$\mathbf{F} = m\mathbf{a} \quad (1-1)$$



Third Law. The mutual forces of action and reaction between two particles are equal, opposite, and collinear, Fig. 1-1c.

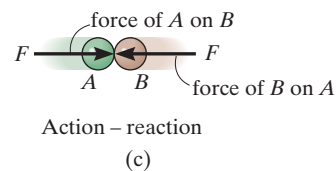


Fig. 1-1

*Stated another way, the unbalanced force acting on the particle is proportional to the time rate of change of the particle's linear momentum.

Newton's Law of Gravitational Attraction. Shortly after formulating his three laws of motion, Newton postulated a law governing the gravitational attraction between any two particles. Stated mathematically,

$$F = G \frac{m_1 m_2}{r^2} \quad (1-2)$$

where

F = force of gravitation between the two particles

G = universal constant of gravitation; according to experimental evidence, $G = 66.73(10^{-12}) \text{ m}^3/(\text{kg} \cdot \text{s}^2)$

m_1, m_2 = mass of each of the two particles

r = distance between the two particles

Weight. According to Eq. 1-2, any two particles or bodies have a mutual attractive (gravitational) force acting between them. In the case of a particle located at or near the surface of the earth, however, the only gravitational force having any sizable magnitude is that between the earth and the particle. Consequently, this force, termed the *weight*, will be the only gravitational force considered in our study of mechanics.

From Eq. 1-2, we can develop an approximate expression for finding the weight W of a particle having a mass $m_1 = m$. If we assume the earth to be a nonrotating sphere of constant density and having a mass $m_2 = M_e$, then if r is the distance between the earth's center and the particle, we have

$$W = G \frac{m M_e}{r^2}$$

Letting $g = GM_e/r^2$ yields

$$W = mg \quad (1-3)$$

By comparison with $\mathbf{F} = m\mathbf{a}$, we can see that g is the acceleration due to gravity. Since it depends on r , then the weight of a body is *not* an absolute quantity. Instead, its magnitude is determined from where the measurement was made. For most engineering calculations, however, g is determined at sea level and at a latitude of 45° , which is considered the "standard location."



The astronaut is weightless, for all practical purposes, since she is far removed from the gravitational field of the earth.

1.3 Units of Measurement

The four basic quantities—length, time, mass, and force—are not all independent from one another; in fact, they are *related* by Newton's second law of motion, $\mathbf{F} = m\mathbf{a}$. Because of this, the *units* used to measure these quantities cannot *all* be selected arbitrarily. The equality $\mathbf{F} = m\mathbf{a}$ is maintained only if three of the four units, called *base units*, are *defined* and the fourth unit is then *derived* from the equation.

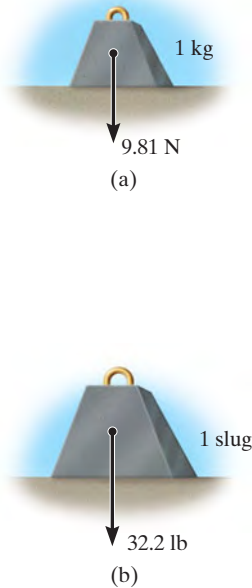


Fig. 1-2

SI Units. The International System of units, abbreviated SI after the French “Système International d’Unités,” is a modern version of the metric system which has received worldwide recognition. As shown in Table 1–1, the SI system defines length in meters (m), time in seconds (s), and mass in kilograms (kg). The unit of force, called a newton (N), is *derived* from $\mathbf{F} = m\mathbf{a}$. Thus, 1 newton is equal to a force required to give 1 kilogram of mass an acceleration of 1 m/s^2 ($\text{N} = \text{kg} \cdot \text{m/s}^2$).

If the weight of a body located at the “standard location” is to be determined in newtons, then Eq. 1–3 must be applied. Here measurements give $g = 9.806 \text{ 65 m/s}^2$; however, for calculations, the value $g = 9.81 \text{ m/s}^2$ will be used. Thus,

$$W = mg \quad (g = 9.81 \text{ m/s}^2) \quad (1-4)$$

Therefore, a body of mass 1 kg has a weight of 9.81 N, a 2-kg body weighs 19.62 N, and so on, Fig. 1–2a.

U.S. Customary. In the U.S. Customary system of units (FPS) length is measured in feet (ft), time in seconds (s), and force in pounds (lb), Table 1–1. The unit of mass, called a *slug*, is *derived* from $\mathbf{F} = m\mathbf{a}$. Hence, 1 slug is equal to the amount of matter accelerated at 1 ft/s^2 when acted upon by a force of 1 lb ($\text{slug} = \text{lb} \cdot \text{s}^2/\text{ft}$).

Therefore, if the measurements are made at the “standard location,” where $g = 32.2 \text{ ft/s}^2$, then from Eq. 1–3,

$$m = \frac{W}{g} \quad (g = 32.2 \text{ ft/s}^2) \quad (1-5)$$

And so a body weighing 32.2 lb has a mass of 1 slug, a 64.4-lb body has a mass of 2 slugs, and so on, Fig. 1–2b.

TABLE 1–1 Systems of Units

Name	Length	Time	Mass	Force
International System of Units	meter	second	kilogram	newton*
SI	m	s	kg	N $\left(\frac{\text{kg} \cdot \text{m}}{\text{s}^2}\right)$
U.S. Customary FPS	foot	second	slug*	pound
	ft	s	$\left(\frac{\text{lb} \cdot \text{s}^2}{\text{ft}}\right)$	lb

*Derived unit.

Conversion of Units. Table 1–2 provides a set of direct conversion factors between FPS and SI units for the basic quantities. Also, in the FPS system, recall that 1 ft = 12 in. (inches), 5280 ft = 1 mi (mile), 1000 lb = 1 kip (kilo-pound), and 2000 lb = 1 ton.

TABLE 1–2 Conversion Factors

Quantity	Unit of Measurement (FPS)	Equals	Unit of Measurement (SI)
Force	lb		4.448 N
Mass	slug		14.59 kg
Length	ft		0.304 8 m

1.4 The International System of Units

The SI system of units is used extensively in this book since it is intended to become the worldwide standard for measurement. Therefore, we will now present some of the rules for its use and some of its terminology relevant to engineering mechanics.

Prefixes. When a numerical quantity is either very large or very small, the units used to define its size may be modified by using a prefix. Some of the prefixes used in the SI system are shown in Table 1–3. Each represents a multiple or submultiple of a unit which, if applied successively, moves the decimal point of a numerical quantity to every third place.* For example, 4 000 000 N = 4 000 kN (kilo-newton) = 4 MN (mega-newton), or 0.005 m = 5 mm (milli-meter). Notice that the SI system does not include the multiple deca (10) or the submultiple centi (0.01), which form part of the metric system. Except for some volume and area measurements, the use of these prefixes is to be avoided in science and engineering.

TABLE 1–3 Prefixes

	Exponential Form	Prefix	SI Symbol
<i>Multiple</i>			
1 000 000 000	10^9	giga	G
1 000 000	10^6	mega	M
1 000	10^3	kilo	k
<i>Submultiple</i>			
0.001	10^{-3}	milli	m
0.000 001	10^{-6}	micro	μ
0.000 000 001	10^{-9}	nano	n

* The kilogram is the only base unit that is defined with a prefix.

Rules for Use. Here are a few of the important rules that describe the proper use of the various SI symbols:

- Quantities defined by several units which are multiples of one another are separated by a *dot* to avoid confusion with prefix notation, as indicated by $N = \text{kg} \cdot \text{m}/\text{s}^2 = \text{kg} \cdot \text{m} \cdot \text{s}^{-2}$. Also, $\text{m} \cdot \text{s}$ (meter-second), whereas ms (milli-second).
- The exponential power on a unit having a prefix refers to both the unit *and* its prefix. For example, $\mu\text{N}^2 = (\mu\text{N})^2 = \mu\text{N} \cdot \mu\text{N}$. Likewise, mm^2 represents $(\text{mm})^2 = \text{mm} \cdot \text{mm}$.
- With the exception of the base unit the kilogram, in general avoid the use of a prefix in the denominator of composite units. For example, do not write N/mm , but rather kN/m ; also, m/mg should be written as Mm/kg .
- When performing calculations, represent the numbers in terms of their *base or derived units* by converting all prefixes to powers of 10. The final result should then be expressed using a *single prefix*. Also, after calculation, it is best to keep numerical values between 0.1 and 1000; otherwise, a suitable prefix should be chosen. For example,

$$\begin{aligned}(50 \text{ kN})(60 \text{ nm}) &= [50(10^3) \text{ N}][60(10^{-9}) \text{ m}] \\ &= 3000(10^{-6}) \text{ N} \cdot \text{m} = 3(10^{-3}) \text{ N} \cdot \text{m} = 3 \text{ mN} \cdot \text{m}\end{aligned}$$

1.5 Numerical Calculations



Computers are often used in engineering for advanced design and analysis.

Numerical work in engineering practice is most often performed by using handheld calculators and computers. It is important, however, that the answers to any problem be reported with both justifiable accuracy and appropriate significant figures. In this section we will discuss these topics together with some other important aspects involved in all engineering calculations.

Dimensional Homogeneity. The terms of any equation used to describe a physical process must be *dimensionally homogeneous*; that is, each term must be expressed in the same units. Provided this is the case, all the terms of an equation can then be combined if numerical values are substituted for the variables. Consider, for example, the equation $s = vt + \frac{1}{2}at^2$, where, in SI units, s is the position in meters, m , t is time in seconds, s , v is velocity in m/s and a is acceleration in m/s^2 . Regardless of how this equation is evaluated, it maintains its dimensional homogeneity. In the form stated, each of the three terms is expressed in meters $[\text{m}, (\text{m}/\text{s}) \text{s}, (\text{m}/\text{s}^2) \text{s}^2,]$ or solving for a , $a = 2s/t^2 - 2v/t$, the terms are each expressed in units of m/s^2 $[\text{m}/\text{s}^2, \text{m}/\text{s}^2, (\text{m}/\text{s})/\text{s}]$.

Keep in mind that problems in mechanics always involve the solution of dimensionally homogeneous equations, and so this fact can then be used as a partial check for algebraic manipulations of an equation.

Significant Figures. The number of significant figures contained in any number determines the accuracy of the number. For instance, the number 4981 contains four significant figures. However, if zeros occur at the end of a whole number, it may be unclear as to how many significant figures the number represents. For example, 23 400 might have three (234), four (2340), or five (23 400) significant figures. To avoid these ambiguities, we will use *engineering notation* to report a result. This requires that numbers be rounded off to the appropriate number of significant digits and then expressed in multiples of (10^3) , such as (10^3) , (10^6) , or (10^{-9}) . For instance, if 23 400 has five significant figures, it is written as $23.400(10^3)$, but if it has only three significant figures, it is written as $23.4(10^3)$.

If zeros occur at the beginning of a number that is less than one, then the zeros are not significant. For example, 0.00821 has three significant figures. Using engineering notation, this number is expressed as $8.21(10^{-3})$. Likewise, 0.000582 can be expressed as $0.582(10^{-3})$ or $582(10^{-6})$.

Rounding Off Numbers. Rounding off a number is necessary so that the accuracy of the result will be the same as that of the problem data. As a general rule, any numerical figure ending in five or greater is rounded up and a number less than five is rounded down. The rules for rounding off numbers are best illustrated by examples. Suppose the number 3.5587 is to be rounded off to *three* significant figures. Because the fourth digit (8) is *greater than 5*, the third number is rounded up to 3.56. Likewise 0.5896 becomes 0.590 and 9.3866 becomes 9.39. If we round off 1.341 to three significant figures, because the fourth digit (1) is *less than 5*, then we get 1.34. Likewise 0.3762 becomes 0.376 and 9.871 becomes 9.87. There is a special case for any number that has a 5 with zeroes following it. As a general rule, if the digit preceding the 5 is an *even number*, then this digit is *not* rounded up. If the digit preceding the 5 is an *odd number*, then it is rounded up. For example, 75.25 rounded off to three significant digits becomes 75.2, 0.1275 becomes 0.128, and 0.2555 becomes 0.256.

Calculations. When a sequence of calculations is performed, it is best to store the intermediate results in the calculator. In other words, do not round off calculations until expressing the final result. This procedure maintains precision throughout the series of steps to the final solution. In this text we will generally round off the answers to three significant figures since most of the data in engineering mechanics, such as geometry and loads, may be reliably measured to this accuracy.

1.6 General Procedure for Analysis



When solving problems, do the work as neatly as possible. Being neat will stimulate clear and orderly thinking, and vice versa.

The most effective way of learning the principles of engineering mechanics is to *solve problems*. To be successful at this, it is important to always present the work in a *logical* and *orderly manner*, as suggested by the following sequence of steps:

- Read the problem carefully and try to correlate the actual physical situation with the theory studied.
- Tabulate the problem data and draw any necessary diagrams.
- Apply the relevant principles, generally in mathematical form. When writing any equations, be sure they are dimensionally homogeneous.
- Solve the necessary equations, and report the answer with no more than three significant figures.
- Study the answer with technical judgment and common sense to determine whether or not it seems reasonable.

Important Points

- Statics is the study of bodies that are at rest or move with constant velocity.
- A particle has a mass but a size that can be neglected.
- A rigid body does not deform under load.
- Concentrated forces are assumed to act at a point on a body.
- Newton's three laws of motion should be memorized.
- Mass is measure of a quantity of matter that does not change from one location to another.
- Weight refers to the gravitational attraction of the earth on a body or quantity of mass. Its magnitude depends upon the elevation at which the mass is located.
- In the SI system the unit of force, the newton, is a derived unit. The meter, second, and kilogram are base units.
- Prefixes G, M, k, m, μ , and n are used to represent large and small numerical quantities. Their exponential size should be known, along with the rules for using the SI units.
- Perform numerical calculations with several significant figures, and then report the final answer to three significant figures.
- Algebraic manipulations of an equation can be checked in part by verifying that the equation remains dimensionally homogeneous.
- Know the rules for rounding off numbers.

EXAMPLE 1.1

Convert 2 km/h to m/s How many ft/s is this?

SOLUTION

Since 1 km = 1000 m and 1 h = 3600 s, the factors of conversion are arranged in the following order, so that a cancellation of the units can be applied:

$$\begin{aligned} 2 \text{ km/h} &= \frac{2 \text{ km}}{\text{h}} \left(\frac{1000 \text{ m}}{\text{km}} \right) \left(\frac{1 \text{ h}}{3600 \text{ s}} \right) \\ &= \frac{2000 \text{ m}}{3600 \text{ s}} = 0.556 \text{ m/s} \end{aligned} \quad \text{Ans.}$$

From Table 1-2, 1 ft = 0.3048 m. Thus,

$$\begin{aligned} 0.556 \text{ m/s} &= \left(\frac{0.556 \text{ m}}{\text{s}} \right) \left(\frac{1 \text{ ft}}{0.3048 \text{ m}} \right) \\ &= 1.82 \text{ ft/s} \end{aligned} \quad \text{Ans.}$$

NOTE: Remember to round off the final answer to three significant figures.

EXAMPLE 1.2

Convert the quantities 300 lb · s and 52 slug/ft³ to appropriate SI units.

SOLUTION

Using Table 1-2, 1 lb = 4.448 2 N.

$$\begin{aligned} 300 \text{ lb} \cdot \text{s} &= 300 \text{ lb} \cdot \text{s} \left(\frac{4.448 \text{ N}}{1 \text{ lb}} \right) \\ &= 1334.5 \text{ N} \cdot \text{s} = 1.33 \text{ kN} \cdot \text{s} \end{aligned} \quad \text{Ans.}$$

Since 1 slug = 14.593 8 kg and 1 ft = 0.304 8 m, then

$$\begin{aligned} 52 \text{ slug/ft}^3 &= \frac{52 \text{ slug}}{\text{ft}^3} \left(\frac{14.59 \text{ kg}}{1 \text{ slug}} \right) \left(\frac{1 \text{ ft}}{0.304 8 \text{ m}} \right)^3 \\ &= 26.8(10^3) \text{ kg/m}^3 \\ &= 26.8 \text{ Mg/m}^3 \end{aligned} \quad \text{Ans.}$$

EXAMPLE 1.3

Evaluate each of the following and express with SI units having an appropriate prefix: (a) $(50 \text{ mN})(6 \text{ GN})$, (b) $(400 \text{ mm})(0.6 \text{ MN})^2$, (c) $45 \text{ MN}^3/900 \text{ Gg}$.

SOLUTION

First convert each number to base units, perform the indicated operations, then choose an appropriate prefix.

Part (a)

$$\begin{aligned} (50 \text{ mN})(6 \text{ GN}) &= [50(10^{-3}) \text{ N}][6(10^9) \text{ N}] \\ &= 300(10^6) \text{ N}^2 \\ &= 300(10^6) \cancel{\text{N}^2} \left(\frac{1 \text{ kN}}{10^3 \cancel{\text{N}}} \right) \left(\frac{1 \text{ kN}}{10^3 \cancel{\text{N}}} \right) \\ &= 300 \text{ kN}^2 \end{aligned} \quad \text{Ans.}$$

NOTE: Keep in mind the convention $\text{kN}^2 = (\text{kN})^2 = 10^6 \text{ N}^2$.

Part (b)

$$\begin{aligned} (400 \text{ mm})(0.6 \text{ MN})^2 &= [400(10^{-3}) \text{ m}][0.6(10^6) \text{ N}]^2 \\ &= [400(10^{-3}) \text{ m}][0.36(10^{12}) \text{ N}^2] \\ &= 144(10^9) \text{ m} \cdot \text{N}^2 \\ &= 144 \text{ Gm} \cdot \text{N}^2 \end{aligned} \quad \text{Ans.}$$

We can also write

$$\begin{aligned} 144(10^9) \text{ m} \cdot \text{N}^2 &= 144(10^9) \text{ m} \cdot \cancel{\text{N}^2} \left(\frac{1 \text{ MN}}{10^6 \cancel{\text{N}}} \right) \left(\frac{1 \text{ MN}}{10^6 \cancel{\text{N}}} \right) \\ &= 0.144 \text{ m} \cdot \text{MN}^2 \end{aligned} \quad \text{Ans.}$$

Part (c)

$$\begin{aligned} \frac{45 \text{ MN}^3}{900 \text{ Gg}} &= \frac{45(10^6 \text{ N})^3}{900(10^6) \text{ kg}} \\ &= 50(10^9) \cancel{\text{N}^3} / \text{kg} \\ &= 50(10^9) \cancel{\text{N}^3} \left(\frac{1 \text{ kN}}{10^3 \cancel{\text{N}}} \right)^3 \frac{1}{\text{kg}} \\ &= 50 \text{ kN}^3 / \text{kg} \end{aligned} \quad \text{Ans.}$$

PROBLEMS

- 1-1.** Round off the following numbers to three significant figures: (a) 4.65735 m, (b) 55.578 s, (c) 4555 N, and (d) 2768 kg.
- 1-2.** Represent each of the following combinations of units in the correct SI form using an appropriate prefix: (a) μMN , (b) $\text{N}/\mu\text{m}$, (c) MN/ks^2 , and (d) kN/ms .
- 1-3.** Represent each of the following quantities in the correct SI form using an appropriate prefix: (a) 0.000431 kg, (b) $35.3(10^3)$ N, and (c) 0.00532 km.
- *1-4.** Represent each of the following combinations of units in the correct SI form: (a) Mg/ms , (b) N/mm , and (c) $\text{mN}/(\text{kg} \cdot \mu\text{s})$.
- 1-5.** Represent each of the following combinations of units in the correct SI form using an appropriate prefix: (a) $\text{kN}/\mu\text{s}$, (b) Mg/mN , and (c) $\text{MN}/(\text{kg} \cdot \text{ms})$.
- 1-6.** Represent each of the following to three significant figures and express each answer in SI units using an appropriate prefix: (a) 45 320 kN, (b) $568(10^5)$ mm, and (c) 0.005 63 mg.
- 1-7.** A rocket has a mass of $250(10^3)$ slugs on earth. Specify (a) its mass in SI units and (b) its weight in SI units. If the rocket is on the moon, where the acceleration due to gravity is $g_m = 5.30 \text{ ft}/\text{s}^2$, determine to three significant figures (c) its weight in SI units and (d) its mass in SI units.
- *1-8.** If a car is traveling at 55 mi/h, determine its speed in kilometers per hour and meters per second.
- 1-9.** The *pascal* (Pa) is actually a very small unit of pressure. To show this, convert $1 \text{ Pa} = 1 \text{ N}/\text{m}^2$ to lb/ft^2 . Atmospheric pressure at sea level is $14.7 \text{ lb}/\text{in}^2$. How many pascals is this?
- 1-10.** What is the weight in newtons of an object that has a mass of: (a) 10 kg, (b) 0.5 g, and (c) 4.50 Mg? Express the result to three significant figures. Use an appropriate prefix.
- 1-11.** Evaluate each of the following to three significant figures and express each answer in SI units using an appropriate prefix: (a) $354 \text{ mg}(45 \text{ km})/(0.0356 \text{ kN})$, (b) $(0.004 53 \text{ Mg})(201 \text{ ms})$, and (c) $435 \text{ MN}/23.2 \text{ mm}$.
- *1-12.** The specific weight (wt./vol.) of brass is $520 \text{ lb}/\text{ft}^3$. Determine its density (mass/vol.) in SI units. Use an appropriate prefix.
- 1-13.** Convert each of the following to three significant figures: (a) $20 \text{ lb} \cdot \text{ft}$ to $\text{N} \cdot \text{m}$, (b) $450 \text{ lb}/\text{ft}^3$ to kN/m^3 , and (c) $15 \text{ ft}/\text{h}$ to mm/s .
- 1-14.** The density (mass/volume) of aluminum is $5.26 \text{ slug}/\text{ft}^3$. Determine its density in SI units. Use an appropriate prefix.
- 1-15.** Water has a density of $1.94 \text{ slug}/\text{ft}^3$. What is the density expressed in SI units? Express the answer to three significant figures.
- *1-16.** Two particles have a mass of 8 kg and 12 kg, respectively. If they are 800 mm apart, determine the force of gravity acting between them. Compare this result with the weight of each particle.
- 1-17.** Determine the mass in kilograms of an object that has a weight of (a) 20 mN, (b) 150 kN, and (c) 60 MN. Express the answer to three significant figures.
- 1-18.** Evaluate each of the following to three significant figures and express each answer in SI units using an appropriate prefix: (a) $(200 \text{ kN})^2$, (b) $(0.005 \text{ mm})^2$, and (c) $(400 \text{ m})^3$.
- 1-19.** Using the base units of the SI system, show that Eq. 1-2 is a dimensionally homogeneous equation which gives F in newtons. Determine to three significant figures the gravitational force acting between two spheres that are touching each other. The mass of each sphere is 200 kg and the radius is 300 mm.
- *1-20.** Evaluate each of the following to three significant figures and express each answer in SI units using an appropriate prefix: (a) $(0.631 \text{ Mm})/(8.60 \text{ kg})^2$, and (b) $(35 \text{ mm})^2(48 \text{ kg})^3$.
- 1-21.** Evaluate $(204 \text{ mm})(0.00457 \text{ kg})/(34.6 \text{ N})$ to three significant figures and express the answer in SI units using an appropriate prefix.



This bridge tower is stabilized by cables that exert forces at the points of connection. In this chapter we will show how to express these forces as Cartesian vectors and then determine the resultant force.

Force Vectors

2

CHAPTER OBJECTIVES

- To show how to add forces and resolve them into components using the Parallelogram Law.
- To express force and position in Cartesian vector form and explain how to determine the vector's magnitude and direction.
- To introduce the dot product in order to determine the angle between two vectors or the projection of one vector onto another.

2.1 Scalars and Vectors

All physical quantities in engineering mechanics are measured using either scalars or vectors.

Scalar. A *scalar* is any positive or negative physical quantity that can be completely specified by its *magnitude*. Examples of scalar quantities include length, mass, and time.

Vector. A *vector* is any physical quantity that requires both a *magnitude* and a *direction* for its complete description. Examples of vectors encountered in statics are force, position, and moment. A vector is shown graphically by an arrow. The length of the arrow represents the *magnitude* of the vector, and the angle θ between the vector and a fixed axis defines the *direction of its line of action*. The head or tip of the arrow indicates the *sense of direction* of the vector, Fig. 2–1.

In print, vector quantities are represented by bold face letters such as **A**, and its magnitude of the vector is italicized, *A*. For handwritten work, it is often convenient to denote a vector quantity by simply drawing an arrow on top of it, \vec{A} .

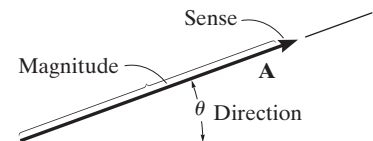
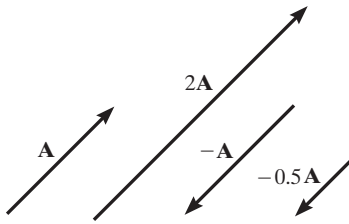


Fig. 2–1

2.2 Vector Operations



Scalar multiplication and division

Fig. 2-2

Multiplication and Division of a Vector by a Scalar. If a vector is multiplied by a positive scalar, its magnitude is increased by that amount. When multiplied by a negative scalar it will also change the directional sense of the vector. Graphic examples of these operations are shown in Fig. 2-2.

Vector Addition. All vector quantities obey the *parallelogram law of addition*. To illustrate, the two “component” vectors \mathbf{A} and \mathbf{B} in Fig. 2-3a are added to form a “resultant” vector $\mathbf{R} = \mathbf{A} + \mathbf{B}$ using the following procedure:

- First join the tails of the components at a point so that it makes them concurrent, Fig. 2-3b.
- From the head of \mathbf{B} , draw a line parallel to \mathbf{A} . Draw another line from the head of \mathbf{A} that is parallel to \mathbf{B} . These two lines intersect at point P to form the adjacent sides of a parallelogram.
- The diagonal of this parallelogram that extends to P forms \mathbf{R} , which then represents the resultant vector $\mathbf{R} = \mathbf{A} + \mathbf{B}$, Fig. 2-3c.

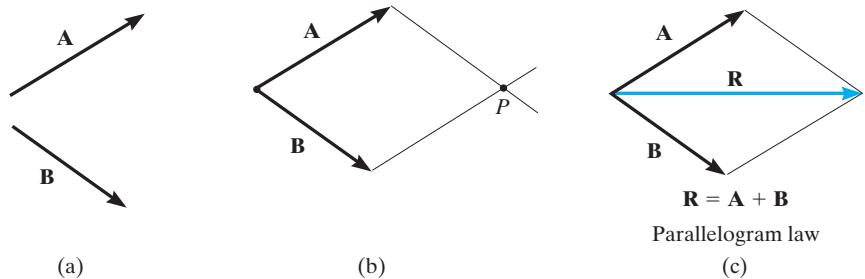


Fig. 2-3

We can also add \mathbf{B} to \mathbf{A} , Fig. 2-4a, using the *triangle rule*, which is a special case of the parallelogram law, whereby vector \mathbf{B} is added to vector \mathbf{A} in a “head-to-tail” fashion, i.e., by connecting the head of \mathbf{A} to the tail of \mathbf{B} , Fig. 2-4b. The resultant \mathbf{R} extends from the tail of \mathbf{A} to the head of \mathbf{B} . In a similar manner, \mathbf{R} can also be obtained by adding \mathbf{A} to \mathbf{B} , Fig. 2-4c. By comparison, it is seen that vector addition is commutative; in other words, the vectors can be added in either order, i.e., $\mathbf{R} = \mathbf{A} + \mathbf{B} = \mathbf{B} + \mathbf{A}$.

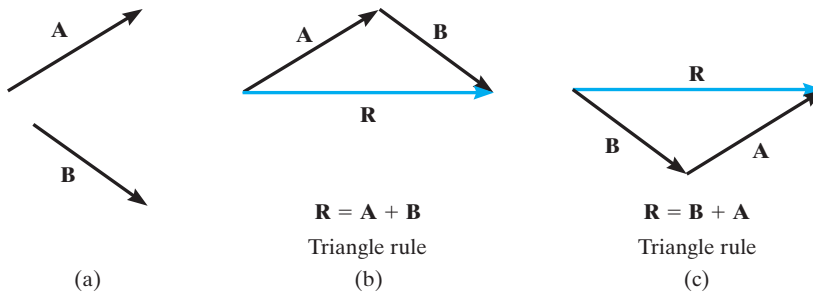


Fig. 2-4

As a special case, if the two vectors \mathbf{A} and \mathbf{B} are *collinear*, i.e., both have the same line of action, the parallelogram law reduces to an *algebraic* or *scalar addition* $R = A + B$, as shown in Fig. 2-5.

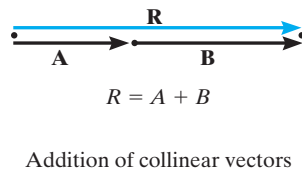


Fig. 2-5

Vector Subtraction. The resultant of the *difference* between two vectors \mathbf{A} and \mathbf{B} of the same type may be expressed as

$$\mathbf{R}' = \mathbf{A} - \mathbf{B} = \mathbf{A} + (-\mathbf{B})$$

This vector sum is shown graphically in Fig. 2-6. Subtraction is therefore defined as a special case of addition, so the rules of vector addition also apply to vector subtraction.

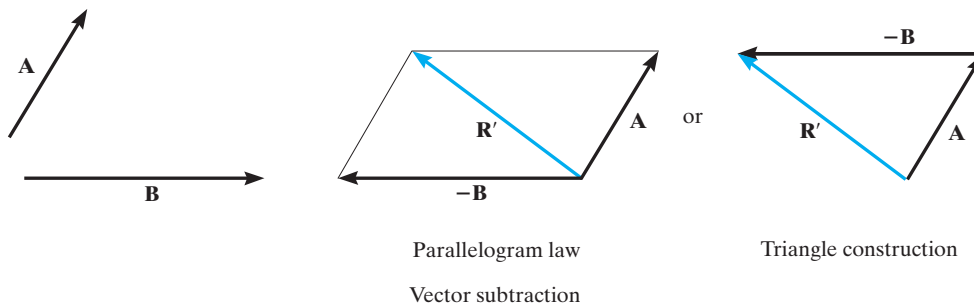
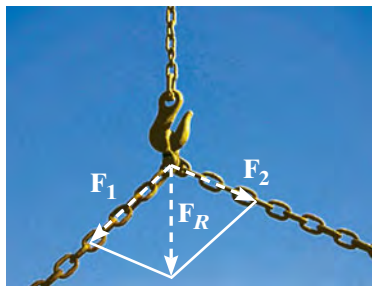


Fig. 2-6

2.3 Vector Addition of Forces

Experimental evidence has shown that a force is a vector quantity since it has a specified magnitude, direction, and sense and it adds according to the parallelogram law. Two common problems in statics involve either finding the resultant force, knowing its components, or resolving a known force into two components. We will now describe how each of these problems is solved using the parallelogram law.



The parallelogram law must be used to determine the resultant of the two forces acting on the hook.

Finding a Resultant Force. The two component forces \mathbf{F}_1 and \mathbf{F}_2 acting on the pin in Fig. 2-7a can be added together to form the resultant force $\mathbf{F}_R = \mathbf{F}_1 + \mathbf{F}_2$, as shown in Fig. 2-7b. From this construction, or using the triangle rule, Fig. 2-7c, we can apply the law of cosines or the law of sines to the triangle in order to obtain the magnitude of the resultant force and its direction.

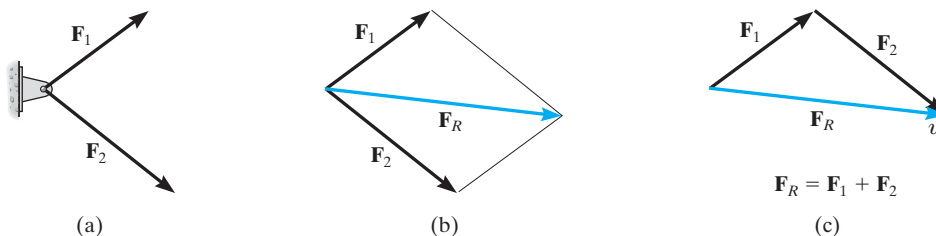


Fig. 2-7

Finding the Components of a Force. Sometimes it is necessary to resolve a force into two *components* in order to study its pulling or pushing effect in two specific directions. For example, in Fig. 2-8a, \mathbf{F} is to be resolved into two components along the two members, defined by the u and v axes. In order to determine the magnitude of each component, a parallelogram is constructed first, by drawing lines starting from the tip of \mathbf{F} , one line parallel to u , and the other line parallel to v . These lines then intersect with the v and u axes, forming a parallelogram. The force components \mathbf{F}_u and \mathbf{F}_v are then established by simply joining the tail of \mathbf{F} to the intersection points on the u and v axes, Fig. 2-8b. This parallelogram can then be reduced to a triangle, which represents the triangle rule, Fig. 2-8c. From this, the law of sines can then be applied to determine the unknown magnitudes of the components.



Using the parallelogram law force \mathbf{F} caused by the vertical member can be resolved into components acting along the suspension cables a and b .

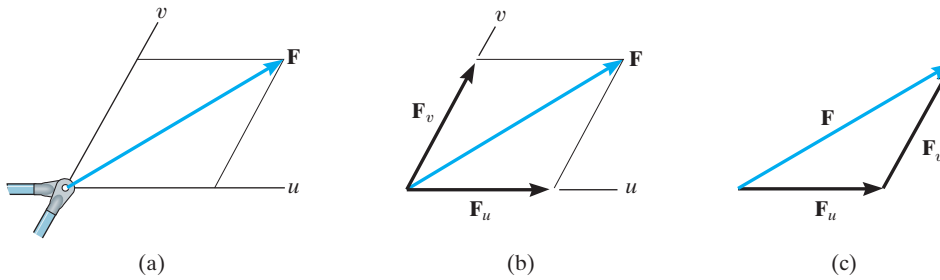


Fig. 2-8

Addition of Several Forces. If more than two forces are to be added, successive applications of the parallelogram law can be carried out in order to obtain the resultant force. For example, if three forces \mathbf{F}_1 , \mathbf{F}_2 , \mathbf{F}_3 act at a point O , Fig. 2-9, the resultant of any two of the forces is found, say, $\mathbf{F}_1 + \mathbf{F}_2$ —and then this resultant is added to the third force, yielding the resultant of all three forces; i.e., $\mathbf{F}_R = (\mathbf{F}_1 + \mathbf{F}_2) + \mathbf{F}_3$. Using the parallelogram law to add more than two forces, as shown here, often requires extensive geometric and trigonometric calculation to determine the numerical values for the magnitude and direction of the resultant. Instead, problems of this type are easily solved by using the “rectangular-component method,” which is explained in Sec. 2.4.

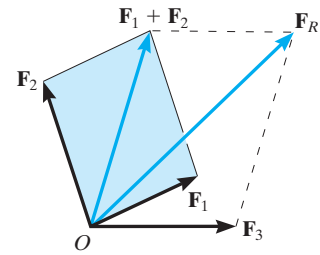
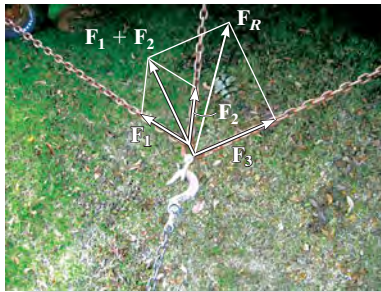
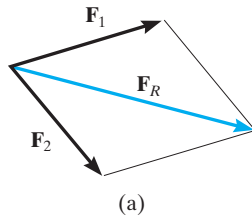


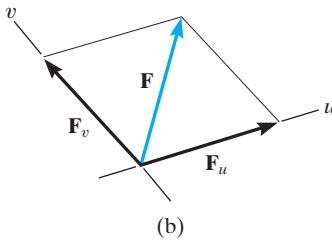
Fig. 2-9



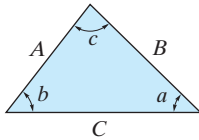
The resultant force \mathbf{F}_R on the hook requires the addition of $\mathbf{F}_1 + \mathbf{F}_2$, then this resultant is added to \mathbf{F}_3 .



(a)



(b)



(c)

Cosine law:

$$C = \sqrt{A^2 + B^2 - 2AB \cos c}$$

Sine law:

$$\frac{A}{\sin a} = \frac{B}{\sin b} = \frac{C}{\sin c}$$

(c)

Fig. 2-10

Procedure for Analysis

Problems that involve the addition of two forces can be solved as follows:

Parallelogram Law.

- Two “component” forces \mathbf{F}_1 and \mathbf{F}_2 in Fig. 2-10a add according to the parallelogram law, yielding a *resultant* force \mathbf{F}_R that forms the diagonal of the parallelogram.
- If a force \mathbf{F} is to be resolved into *components* along two axes u and v , Fig. 2-10b, then start at the head of force \mathbf{F} and construct lines parallel to the axes, thereby forming the parallelogram. The sides of the parallelogram represent the components, \mathbf{F}_u and \mathbf{F}_v .
- Label all the known and unknown force magnitudes and the angles on the sketch and identify the two unknowns as the magnitude and direction of \mathbf{F}_R , or the magnitudes of its components.

Trigonometry.

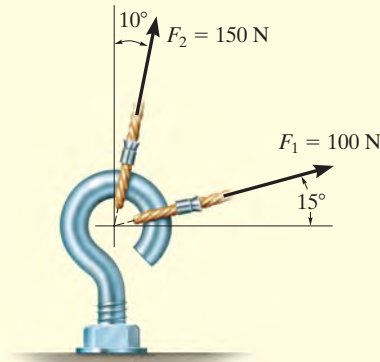
- Redraw a half portion of the parallelogram to illustrate the triangular head-to-tail addition of the components.
- From this triangle, the magnitude of the resultant force can be determined using the law of cosines, and its direction is determined from the law of sines. The magnitudes of two force components are determined from the law of sines. The formulas are given in Fig. 2-10c.

Important Points

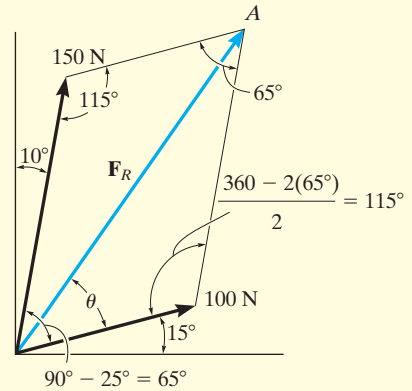
- A scalar is a positive or negative number.
- A vector is a quantity that has a magnitude, direction, and sense.
- Multiplication or division of a vector by a scalar will change the magnitude of the vector. The sense of the vector will change if the scalar is negative.
- As a special case, if the vectors are collinear, the resultant is formed by an algebraic or scalar addition.

EXAMPLE 2.1

The screw eye in Fig. 2–11a is subjected to two forces, \mathbf{F}_1 and \mathbf{F}_2 . Determine the magnitude and direction of the resultant force.



(a)



(b)

SOLUTION

Parallelogram Law. The parallelogram is formed by drawing a line from the head of \mathbf{F}_1 that is parallel to \mathbf{F}_2 , and another line from the head of \mathbf{F}_2 that is parallel to \mathbf{F}_1 . The resultant force \mathbf{F}_R extends to where these lines intersect at point A , Fig. 2–11b. The two unknowns are the magnitude of \mathbf{F}_R and the angle θ (theta).

Trigonometry. From the parallelogram, the vector triangle is constructed, Fig. 2–11c. Using the law of cosines

$$\begin{aligned} F_R &= \sqrt{(100 \text{ N})^2 + (150 \text{ N})^2 - 2(100 \text{ N})(150 \text{ N}) \cos 115^\circ} \\ &= \sqrt{10\,000 + 22\,500 - 30\,000(-0.4226)} = 212.6 \text{ N} \\ &= 213 \text{ N} \end{aligned}$$

Ans.

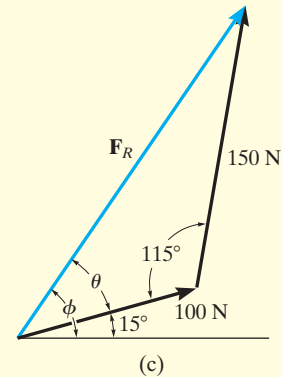
Applying the law of sines to determine θ ,

$$\begin{aligned} \frac{150 \text{ N}}{\sin \theta} &= \frac{212.6 \text{ N}}{\sin 115^\circ} & \sin \theta &= \frac{150 \text{ N}}{212.6 \text{ N}} (\sin 115^\circ) \\ \theta &= 39.8^\circ \end{aligned}$$

Thus, the direction ϕ (phi) of \mathbf{F}_R , measured from the horizontal, is

$$\phi = 39.8^\circ + 15.0^\circ = 54.8^\circ \quad \text{Ans.}$$

NOTE: The results seem reasonable, since Fig. 2–11b shows \mathbf{F}_R to have a magnitude larger than its components and a direction that is between them.



(c)

Fig. 2–11

EXAMPLE 2.2

Resolve the horizontal 600-lb force in Fig. 2–12a into components acting along the u and v axes and determine the magnitudes of these components.

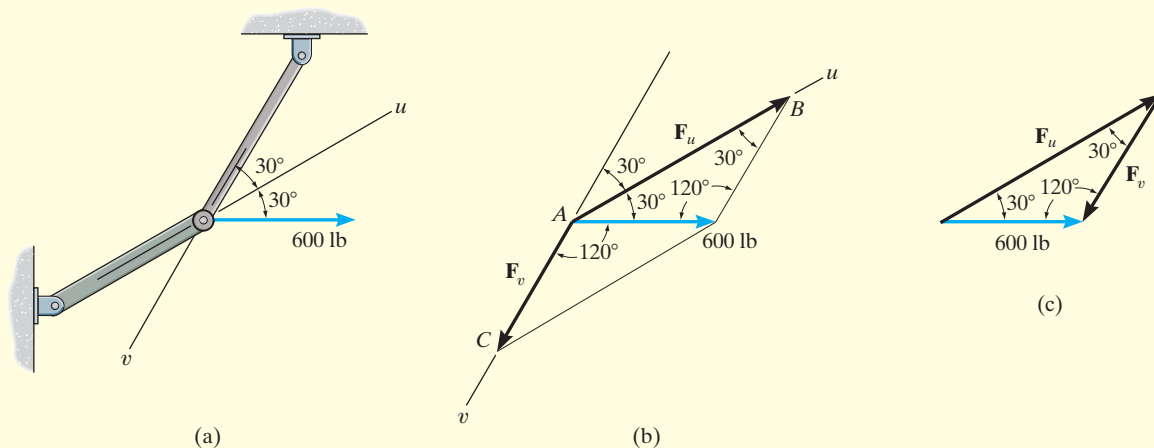


Fig. 2–12

SOLUTION

The parallelogram is constructed by extending a line from the *head* of the 600-lb force parallel to the v axis until it intersects the u axis at point B , Fig. 2–12b. The arrow from A to B represents \mathbf{F}_u . Similarly, the line extended from the head of the 600-lb force drawn parallel to the u axis intersects the v axis at point C , which gives \mathbf{F}_v .

The vector addition using the triangle rule is shown in Fig. 2–12c. The two unknowns are the magnitudes of \mathbf{F}_u and \mathbf{F}_v . Applying the law of sines,

$$\frac{F_u}{\sin 120^\circ} = \frac{600 \text{ lb}}{\sin 30^\circ}$$

$$F_u = 1039 \text{ lb} \quad \text{Ans.}$$

$$\frac{F_v}{\sin 30^\circ} = \frac{600 \text{ lb}}{\sin 30^\circ}$$

$$F_v = 600 \text{ lb} \quad \text{Ans.}$$

NOTE: The result for F_u shows that sometimes a component can have a greater magnitude than the resultant.

EXAMPLE 2.3

Determine the magnitude of the component force \mathbf{F} in Fig. 2–13a and the magnitude of the resultant force \mathbf{F}_R if \mathbf{F}_R is directed along the positive y axis.

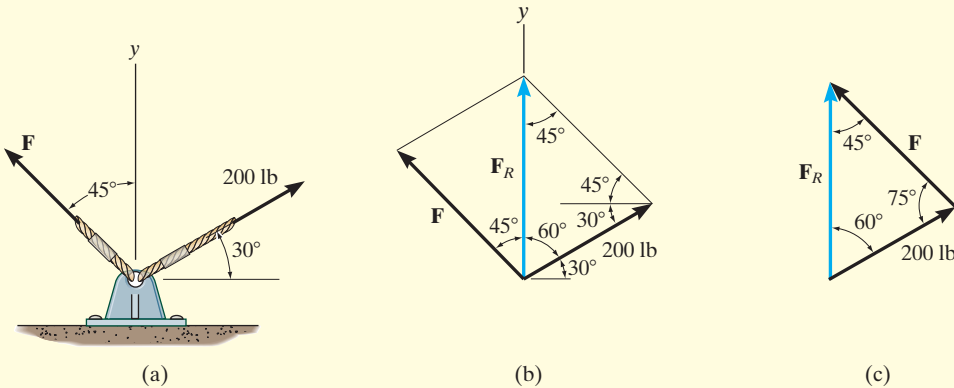


Fig. 2–13

SOLUTION

The parallelogram law of addition is shown in Fig. 2–13b, and the triangle rule is shown in Fig. 2–13c. The magnitudes of \mathbf{F}_R and \mathbf{F} are the two unknowns. They can be determined by applying the law of sines.

$$\frac{F}{\sin 60^\circ} = \frac{200 \text{ lb}}{\sin 45^\circ}$$

$$F = 245 \text{ lb} \quad \text{Ans.}$$

$$\frac{F_R}{\sin 75^\circ} = \frac{200 \text{ lb}}{\sin 45^\circ}$$

$$F_R = 273 \text{ lb} \quad \text{Ans.}$$

EXAMPLE 2.4

It is required that the resultant force acting on the eyebolt in Fig. 2–14*a* be directed along the positive x axis and that \mathbf{F}_2 have a *minimum* magnitude. Determine this magnitude, the angle θ , and the corresponding resultant force.

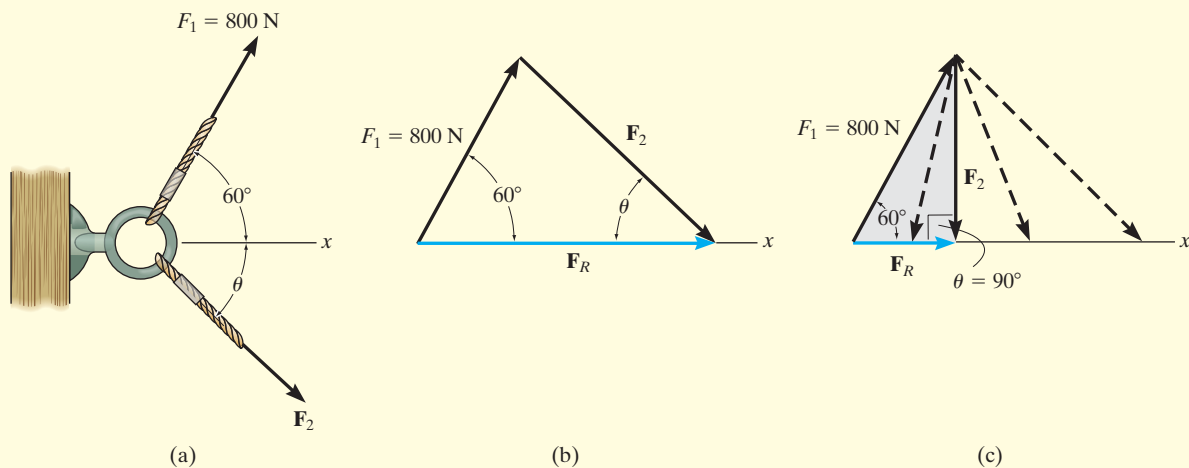


Fig. 2–14

SOLUTION

The triangle rule for $\mathbf{F}_R = \mathbf{F}_1 + \mathbf{F}_2$ is shown in Fig. 2–14*b*. Since the magnitudes (lengths) of \mathbf{F}_R and \mathbf{F}_2 are not specified, then \mathbf{F}_2 can actually be any vector that has its head touching the line of action of \mathbf{F}_R , Fig. 2–14*c*. However, as shown, the magnitude of \mathbf{F}_2 is a *minimum* or the shortest length when its line of action is *perpendicular* to the line of action of \mathbf{F}_R , that is, when

$$\theta = 90^\circ \quad \text{Ans.}$$

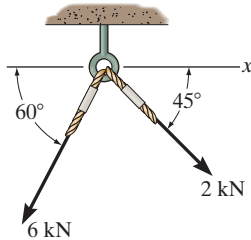
Since the vector addition now forms a right triangle, the two unknown magnitudes can be obtained by trigonometry.

$$F_R = (800 \text{ N})\cos 60^\circ = 400 \text{ N} \quad \text{Ans.}$$

$$F_2 = (800 \text{ N})\sin 60^\circ = 693 \text{ N} \quad \text{Ans.}$$

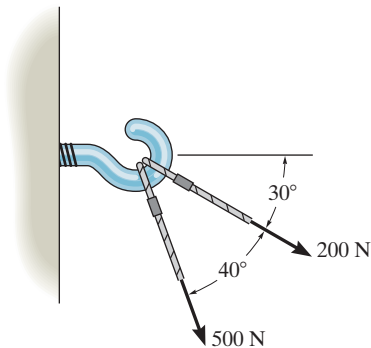
FUNDAMENTAL PROBLEMS*

F2-1. Determine the magnitude of the resultant force acting on the screw eye and its direction measured clockwise from the x axis.



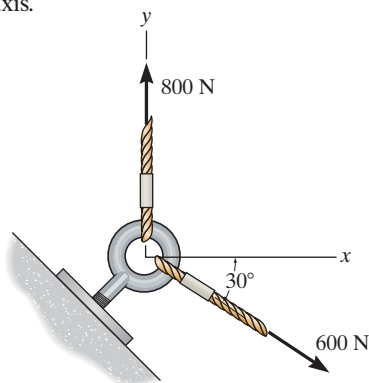
F2-1

F2-2. Two forces act on the hook. Determine the magnitude of the resultant force.



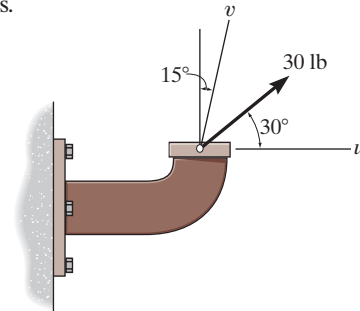
F2-2

F2-3. Determine the magnitude of the resultant force and its direction measured counterclockwise from the positive x axis.



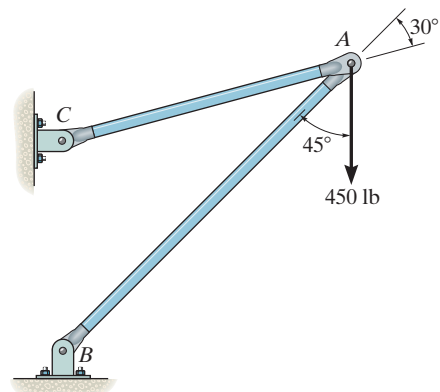
F2-3

F2-4. Resolve the 30-lb force into components along the u and v axes, and determine the magnitude of each of these components.



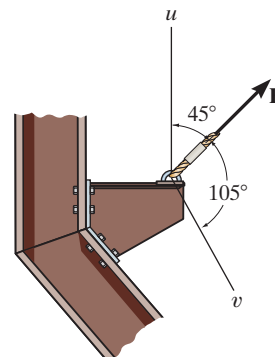
F2-4

F2-5. The force $F = 450$ lb acts on the frame. Resolve this force into components acting along members AB and AC , and determine the magnitude of each component.



F2-5

F2-6. If force \mathbf{F} is to have a component along the u axis of $F_u = 6$ kN, determine the magnitude of \mathbf{F} and the magnitude of its component \mathbf{F}_v along the v axis.



F2-6

* Partial solutions and answers to all Fundamental Problems are given in the back of the book.

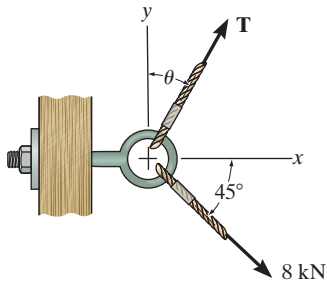
PROBLEMS

2

2-1. If $\theta = 30^\circ$ and $T = 6$ kN, determine the magnitude of the resultant force acting on the eyebolt and its direction measured clockwise from the positive x axis.

2-2. If $\theta = 60^\circ$ and $T = 5$ kN, determine the magnitude of the resultant force acting on the eyebolt and its direction measured clockwise from the positive x axis.

2-3. If the magnitude of the resultant force is to be 9 kN directed along the positive x axis, determine the magnitude of force \mathbf{T} acting on the eyebolt and its angle θ .

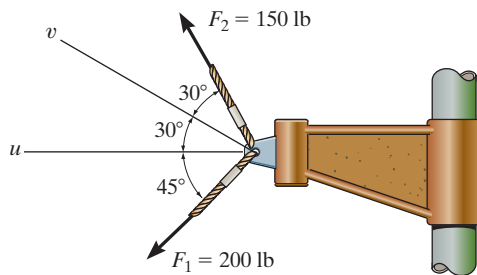


Probs. 2-1/2/3

***2-4.** Determine the magnitude of the resultant force acting on the bracket and its direction measured counterclockwise from the positive u axis.

***2-5.** Resolve \mathbf{F}_1 into components along the u and v axes, and determine the magnitudes of these components.

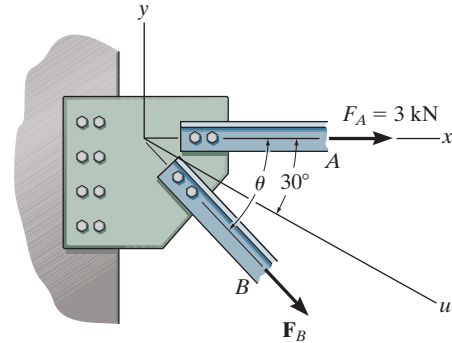
2-6. Resolve \mathbf{F}_2 into components along the u and v axes, and determine the magnitudes of these components.



Probs. 2-4/5/6

2-7. If $F_B = 2$ kN and the resultant force acts along the positive u axis, determine the magnitude of the resultant force and the angle θ .

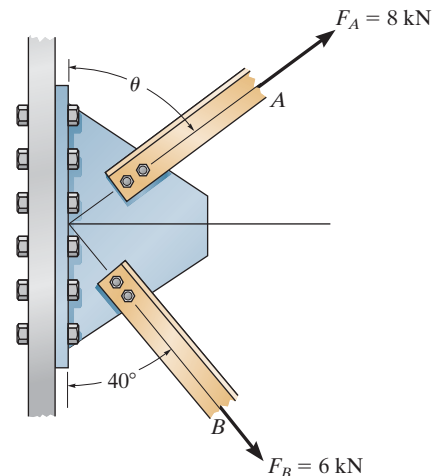
***2-8.** If the resultant force is required to act along the positive u axis and have a magnitude of 5 kN, determine the required magnitude of \mathbf{F}_B and its direction θ .



Probs. 2-7/8

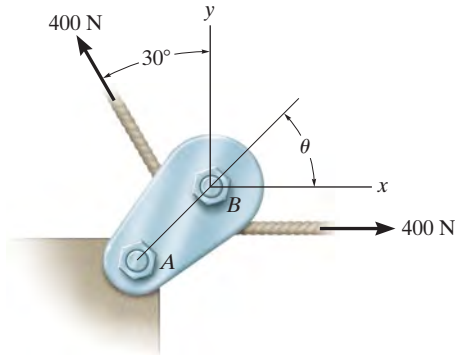
***2-9.** The plate is subjected to the two forces at A and B as shown. If $\theta = 60^\circ$, determine the magnitude of the resultant of these two forces and its direction measured clockwise from the horizontal.

2-10. Determine the angle of θ for connecting member A to the plate so that the resultant force of \mathbf{F}_A and \mathbf{F}_B is directed horizontally to the right. Also, what is the magnitude of the resultant force?



Probs. 2-9/10

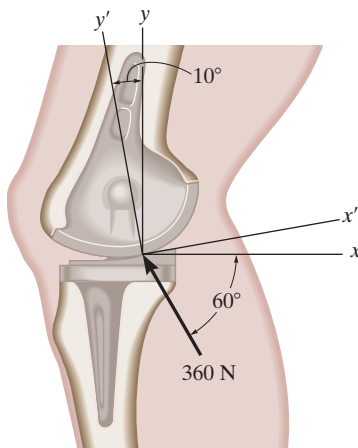
2-11. If the tension in the cable is 400 N, determine the magnitude and direction of the resultant force acting on the pulley. This angle is the same angle θ of line AB on the tailboard block.



Prob. 2-11

***2-12.** The device is used for surgical replacement of the knee joint. If the force acting along the leg is 360 N, determine its components along the x and y' axes.

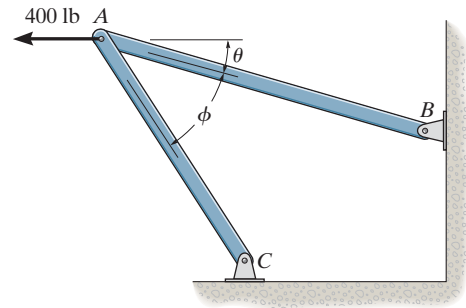
•2-13. The device is used for surgical replacement of the knee joint. If the force acting along the leg is 360 N, determine its components along the x' and y axes.



Probs. 2-12/13

2-14. Determine the design angle θ ($0^\circ \leq \theta \leq 90^\circ$) for strut AB so that the 400-lb horizontal force has a component of 500 lb directed from A towards C . What is the component of force acting along member AB ? Take $\phi = 40^\circ$.

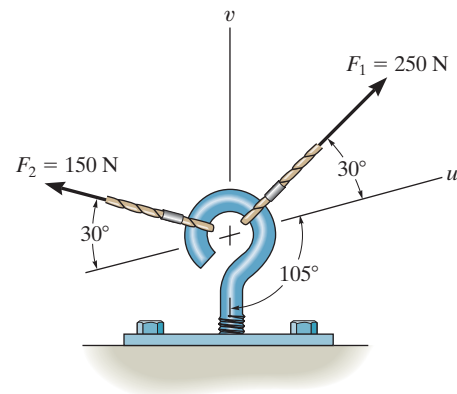
2-15. Determine the design angle ϕ ($0^\circ \leq \phi \leq 90^\circ$) between struts AB and AC so that the 400-lb horizontal force has a component of 600 lb which acts up to the left, in the same direction as from B towards A . Take $\theta = 30^\circ$.



Probs. 2-14/15

***2-16.** Resolve \mathbf{F}_1 into components along the u and v axes and determine the magnitudes of these components.

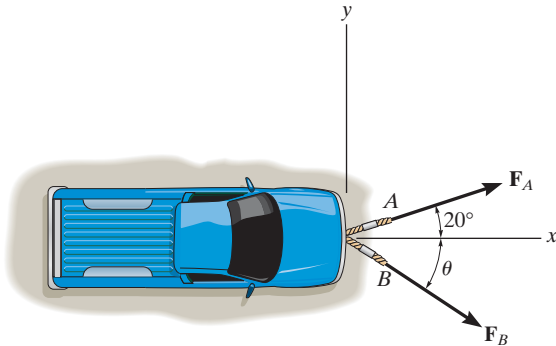
•2-17. Resolve \mathbf{F}_2 into components along the u and v axes and determine the magnitudes of these components.



Probs. 2-16/17

2-18. The truck is to be towed using two ropes. Determine the magnitudes of forces \mathbf{F}_A and \mathbf{F}_B acting on each rope in order to develop a resultant force of 950 N directed along the positive x axis. Set $\theta = 50^\circ$.

2-19. The truck is to be towed using two ropes. If the resultant force is to be 950 N, directed along the positive x axis, determine the magnitudes of forces \mathbf{F}_A and \mathbf{F}_B acting on each rope and the angle θ of \mathbf{F}_B so that the magnitude of \mathbf{F}_B is a *minimum*. \mathbf{F}_A acts at 20° from the x axis as shown.

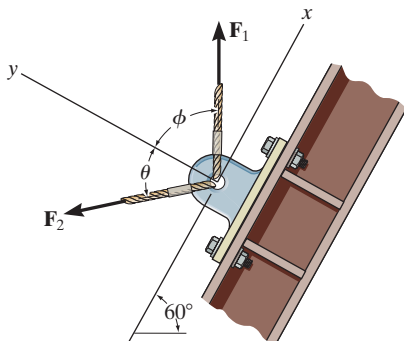


Prob. 2-18/19

***2-20.** If $\phi = 45^\circ$, $F_1 = 5$ kN, and the resultant force is 6 kN directed along the positive y axis, determine the required magnitude of \mathbf{F}_2 and its direction θ .

•2-21. If $\phi = 30^\circ$ and the resultant force is to be 6 kN directed along the positive y axis, determine the magnitudes of \mathbf{F}_1 and \mathbf{F}_2 and the angle θ if \mathbf{F}_2 is required to be a minimum.

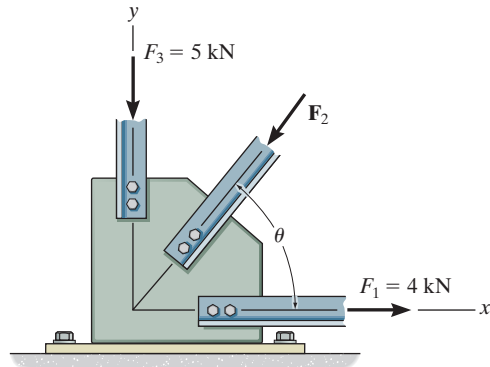
2-22. If $\phi = 30^\circ$, $F_1 = 5$ kN, and the resultant force is to be directed along the positive y axis, determine the magnitude of the resultant force if \mathbf{F}_2 is to be a minimum. Also, what is \mathbf{F}_2 and the angle θ ?



Probs. 2-20/21/22

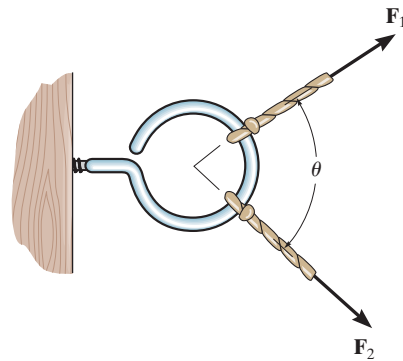
2-23. If $\theta = 30^\circ$ and $F_2 = 6$ kN, determine the magnitude of the resultant force acting on the plate and its direction measured clockwise from the positive x axis.

***2-24.** If the resultant force \mathbf{F}_R is directed along a line measured 75° clockwise from the positive x axis and the magnitude of \mathbf{F}_2 is to be a minimum, determine the magnitudes of \mathbf{F}_R and \mathbf{F}_2 and the angle $\theta \leq 90^\circ$.



Probs. 2-23/24

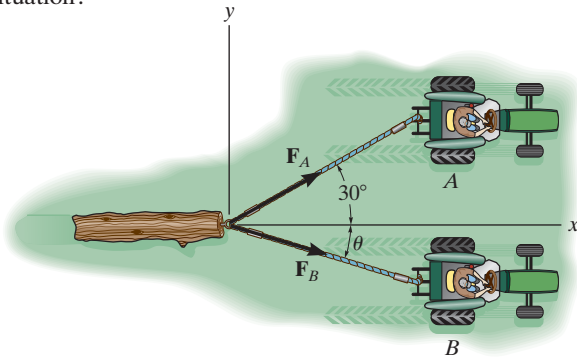
•2-25. Two forces \mathbf{F}_1 and \mathbf{F}_2 act on the screw eye. If their lines of action are at an angle θ apart and the magnitude of each force is $F_1 = F_2 = F$, determine the magnitude of the resultant force \mathbf{F}_R and the angle between \mathbf{F}_R and \mathbf{F}_1 .



Prob. 2-25

2–26. The log is being towed by two tractors A and B . Determine the magnitudes of the two towing forces \mathbf{F}_A and \mathbf{F}_B if it is required that the resultant force have a magnitude $F_R = 10$ kN and be directed along the x axis. Set $\theta = 15^\circ$.

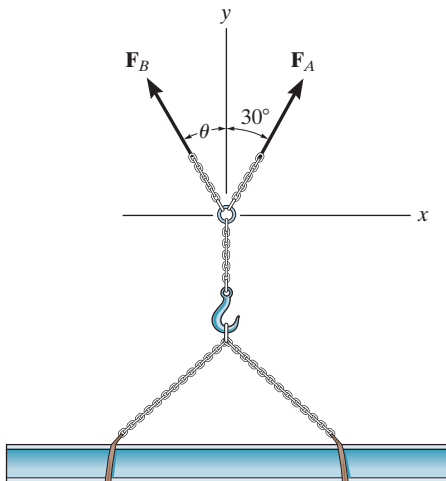
2–27. The resultant \mathbf{F}_R of the two forces acting on the log is to be directed along the positive x axis and have a magnitude of 10 kN, determine the angle θ of the cable, attached to B such that the magnitude of force \mathbf{F}_B in this cable is a minimum. What is the magnitude of the force in each cable for this situation?



Probs. 2–26/27

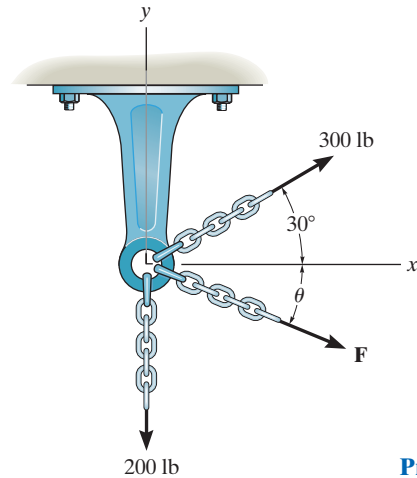
***2–28.** The beam is to be hoisted using two chains. Determine the magnitudes of forces \mathbf{F}_A and \mathbf{F}_B acting on each chain in order to develop a resultant force of 600 N directed along the positive y axis. Set $\theta = 45^\circ$.

•2–29. The beam is to be hoisted using two chains. If the resultant force is to be 600 N directed along the positive y axis, determine the magnitudes of forces \mathbf{F}_A and \mathbf{F}_B acting on each chain and the angle θ of \mathbf{F}_B so that the magnitude of \mathbf{F}_B is a *minimum*. \mathbf{F}_A acts at 30° from the y axis, as shown.



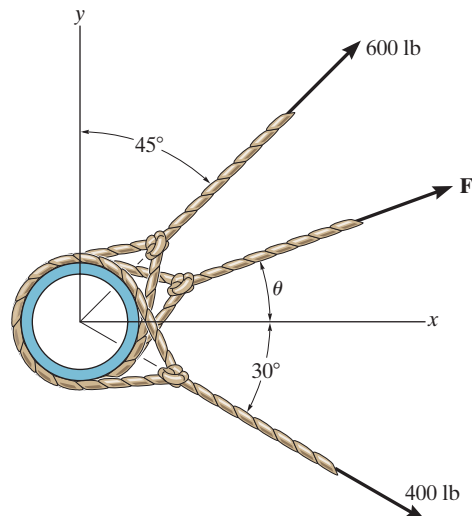
Probs. 2–28/29

2–30. Three chains act on the bracket such that they create a resultant force having a magnitude of 500 lb. If two of the chains are subjected to known forces, as shown, determine the angle θ of the third chain measured clockwise from the positive x axis, so that the magnitude of force \mathbf{F} in this chain is a *minimum*. All forces lie in the x – y plane. What is the magnitude of \mathbf{F} ? *Hint:* First find the resultant of the two known forces. Force \mathbf{F} acts in this direction.



Prob. 2–30

2–31. Three cables pull on the pipe such that they create a resultant force having a magnitude of 900 lb. If two of the cables are subjected to known forces, as shown in the figure, determine the angle θ of the third cable so that the magnitude of force \mathbf{F} in this cable is a *minimum*. All forces lie in the x – y plane. What is the magnitude of \mathbf{F} ? *Hint:* First find the resultant of the two known forces.



Prob. 2–31

2.4 Addition of a System of Coplanar Forces

When a force is resolved into two components along the x and y axes, the components are then called *rectangular components*. For analytical work we can represent these components in one of two ways, using either scalar notation or Cartesian vector notation.

Scalar Notation. The rectangular components of force \mathbf{F} shown in Fig. 2-15a are found using the parallelogram law, so that $\mathbf{F} = \mathbf{F}_x + \mathbf{F}_y$. Because these components form a right triangle, their magnitudes can be determined from

$$F_x = F \cos \theta \quad \text{and} \quad F_y = F \sin \theta$$

Instead of using the angle θ , however, the direction of \mathbf{F} can also be defined using a small “slope” triangle, such as shown in Fig. 2-15b. Since this triangle and the larger shaded triangle are similar, the proportional length of the sides gives

$$\frac{F_x}{F} = \frac{a}{c}$$

or

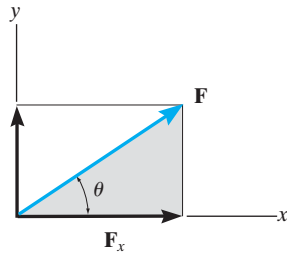
$$F_x = F \left(\frac{a}{c} \right)$$

and

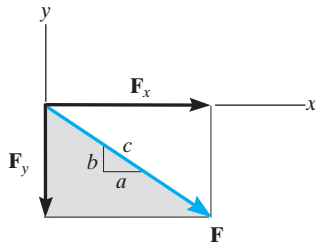
$$\frac{F_y}{F} = \frac{b}{c}$$

or

$$F_y = -F \left(\frac{b}{c} \right)$$



(a)



(b)

Fig. 2-15

Here the y component is a negative scalar since \mathbf{F}_y is directed along the negative y axis.

It is important to keep in mind that this positive and negative scalar notation is to be used only for computational purposes, not for graphical representations in figures. Throughout the book, the *head of a vector arrow* in any figure indicates the sense of the vector *graphically*; algebraic signs are not used for this purpose. Thus, the vectors in Figs. 2-15a and 2-15b are designated by using boldface (vector) notation.* Whenever italic symbols are written near vector arrows in figures, they indicate the *magnitude* of the vector, which is *always a positive* quantity.

*Negative signs are used only in figures with boldface notation when showing equal but opposite pairs of vectors, as in Fig. 2-2.

Cartesian Vector Notation. It is also possible to represent the x and y components of a force in terms of Cartesian unit vectors \mathbf{i} and \mathbf{j} . Each of these unit vectors has a dimensionless magnitude of one, and so they can be used to designate the *directions* of the x and y axes, respectively, Fig. 2–16. *

Since the *magnitude* of each component of \mathbf{F} is *always a positive quantity*, which is represented by the (positive) scalars F_x and F_y , then we can express \mathbf{F} as a *Cartesian vector*,

$$\mathbf{F} = F_x \mathbf{i} + F_y \mathbf{j}$$

Coplanar Force Resultants. We can use either of the two methods just described to determine the resultant of several *coplanar forces*. To do this, each force is first resolved into its x and y components, and then the respective components are added using *scalar algebra* since they are collinear. The resultant force is then formed by adding the resultant components using the parallelogram law. For example, consider the three concurrent forces in Fig. 2–17a, which have x and y components shown in Fig. 2–17b. Using *Cartesian vector notation*, each force is first represented as a Cartesian vector, i.e.,

$$\begin{aligned}\mathbf{F}_1 &= F_{1x} \mathbf{i} + F_{1y} \mathbf{j} \\ \mathbf{F}_2 &= -F_{2x} \mathbf{i} + F_{2y} \mathbf{j} \\ \mathbf{F}_3 &= F_{3x} \mathbf{i} - F_{3y} \mathbf{j}\end{aligned}$$

The vector resultant is therefore

$$\begin{aligned}\mathbf{F}_R &= \mathbf{F}_1 + \mathbf{F}_2 + \mathbf{F}_3 \\ &= F_{1x} \mathbf{i} + F_{1y} \mathbf{j} - F_{2x} \mathbf{i} + F_{2y} \mathbf{j} + F_{3x} \mathbf{i} - F_{3y} \mathbf{j} \\ &= (F_{1x} - F_{2x} + F_{3x}) \mathbf{i} + (F_{1y} + F_{2y} - F_{3y}) \mathbf{j} \\ &= (F_{Rx}) \mathbf{i} + (F_{Ry}) \mathbf{j}\end{aligned}$$

If *scalar notation* is used, then we have

$$\begin{aligned}(\rightarrow) \quad F_{Rx} &= F_{1x} - F_{2x} + F_{3x} \\ (+\uparrow) \quad F_{Ry} &= F_{1y} + F_{2y} - F_{3y}\end{aligned}$$

These are the *same* results as the \mathbf{i} and \mathbf{j} components of \mathbf{F}_R determined above.

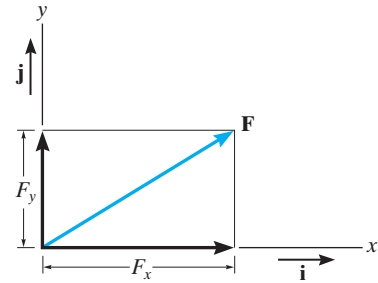


Fig. 2–16

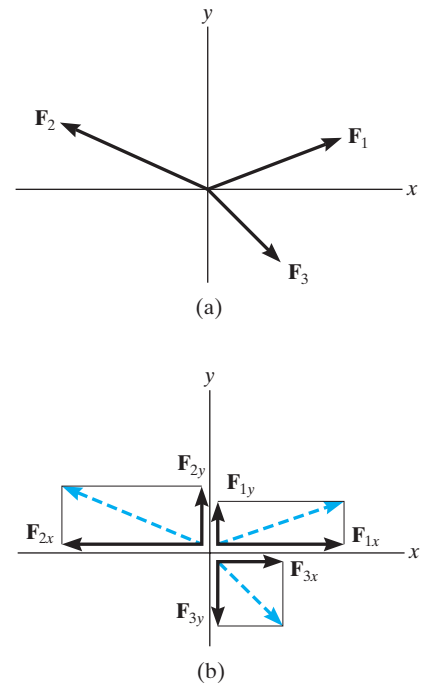
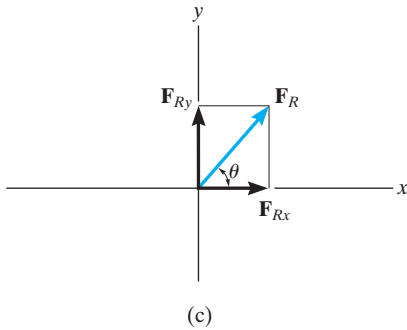


Fig. 2–17

*For handwritten work, unit vectors are usually indicated using a circumflex, e.g., \hat{i} and \hat{j} . These vectors have a dimensionless magnitude of unity, and their sense (or arrowhead) will be described analytically by a plus or minus sign, depending on whether they are pointing along the positive or negative x or y axis.

We can represent the components of the resultant force of any number of coplanar forces symbolically by the algebraic sum of the x and y components of all the forces, i.e.,

$$\begin{aligned} F_{Rx} &= \sum F_x \\ F_{Ry} &= \sum F_y \end{aligned} \quad (2-1)$$



(c)
Fig. 2-17

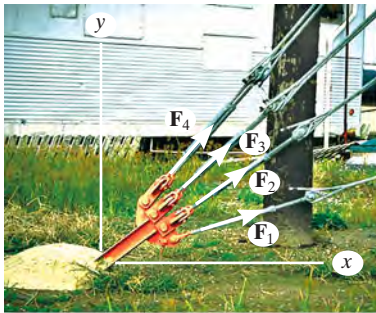
Once these components are determined, they may be sketched along the x and y axes with their proper sense of direction, and the resultant force can be determined from vector addition, as shown in Fig. 2-17. From this sketch, the magnitude of \mathbf{F}_R is then found from the Pythagorean theorem; that is,

$$F_R = \sqrt{F_{Rx}^2 + F_{Ry}^2}$$

Also, the angle θ , which specifies the direction of the resultant force, is determined from trigonometry:

$$\theta = \tan^{-1} \left| \frac{F_{Ry}}{F_{Rx}} \right|$$

The above concepts are illustrated numerically in the examples which follow.



The resultant force of the four cable forces acting on the supporting bracket can be determined by adding algebraically the separate x and y components of each cable force. This resultant \mathbf{F}_R produces the *same pulling effect* on the bracket as all four cables.

Important Points

- The resultant of several coplanar forces can easily be determined if an x, y coordinate system is established and the forces are resolved along the axes.
- The direction of each force is specified by the angle its line of action makes with one of the axes, or by a sloped triangle.
- The orientation of the x and y axes is arbitrary, and their positive direction can be specified by the Cartesian unit vectors \mathbf{i} and \mathbf{j} .
- The x and y components of the *resultant force* are simply the algebraic addition of the components of all the coplanar forces.
- The magnitude of the resultant force is determined from the Pythagorean theorem, and when the components are sketched on the x and y axes, the direction can be determined from trigonometry.

EXAMPLE 2.5

Determine the x and y components of \mathbf{F}_1 and \mathbf{F}_2 acting on the boom shown in Fig. 2–18a. Express each force as a Cartesian vector.

SOLUTION

Scalar Notation. By the parallelogram law, \mathbf{F}_1 is resolved into x and y components, Fig. 2–18b. Since \mathbf{F}_{1x} acts in the $-x$ direction, and \mathbf{F}_{1y} acts in the $+y$ direction, we have

$$F_{1x} = -200 \sin 30^\circ \text{ N} = -100 \text{ N} = 100 \text{ N} \leftarrow \quad \text{Ans.}$$

$$F_{1y} = 200 \cos 30^\circ \text{ N} = 173 \text{ N} = 173 \text{ N} \uparrow \quad \text{Ans.}$$

The force \mathbf{F}_2 is resolved into its x and y components as shown in Fig. 2–17c. Here the *slope* of the line of action for the force is indicated. From this “slope triangle” we could obtain the angle θ , e.g., $\theta = \tan^{-1}\left(\frac{5}{12}\right)$, and then proceed to determine the magnitudes of the components in the same manner as for \mathbf{F}_1 . The easier method, however, consists of using proportional parts of similar triangles, i.e.,

$$\frac{F_{2x}}{260 \text{ N}} = \frac{12}{13} \quad F_{2x} = 260 \text{ N} \left(\frac{12}{13} \right) = 240 \text{ N}$$

Similarly,

$$F_{2y} = 260 \text{ N} \left(\frac{5}{13} \right) = 100 \text{ N}$$

Notice how the magnitude of the *horizontal component*, F_{2x} , was obtained by multiplying the force magnitude by the ratio of the *horizontal leg* of the slope triangle divided by the hypotenuse; whereas the magnitude of the *vertical component*, F_{2y} , was obtained by multiplying the force magnitude by the ratio of the *vertical leg* divided by the hypotenuse. Hence,

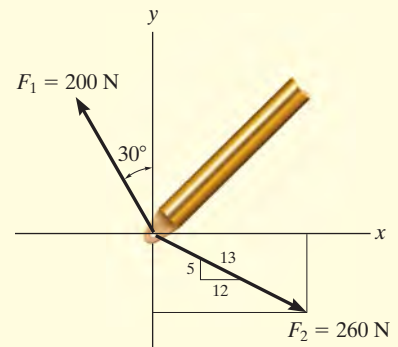
$$F_{2x} = 240 \text{ N} = 240 \text{ N} \rightarrow \quad \text{Ans.}$$

$$F_{2y} = -100 \text{ N} = 100 \text{ N} \downarrow \quad \text{Ans.}$$

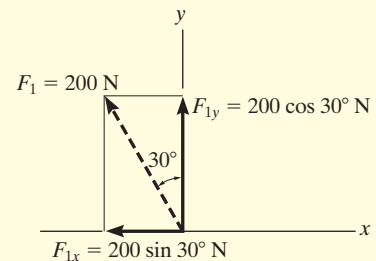
Cartesian Vector Notation. Having determined the magnitudes and directions of the components of each force, we can express each force as a Cartesian vector.

$$\mathbf{F}_1 = \{-100\mathbf{i} + 173\mathbf{j}\} \text{ N} \quad \text{Ans.}$$

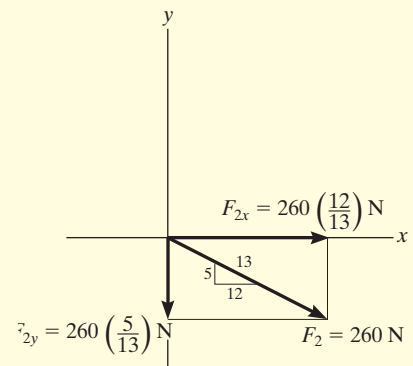
$$\mathbf{F}_2 = \{240\mathbf{i} - 100\mathbf{j}\} \text{ N} \quad \text{Ans.}$$



(a)



(b)



(c)

Fig. 2–18

EXAMPLE 2.6

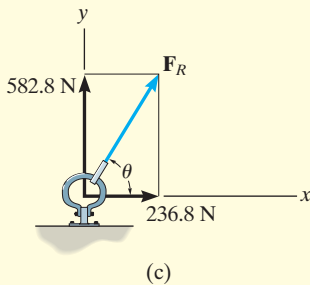
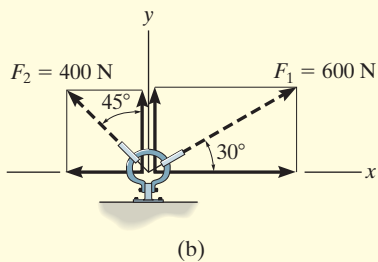
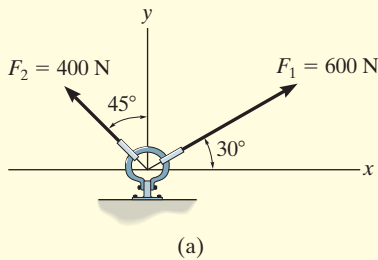


Fig. 2-19

The link in Fig. 2-19a is subjected to two forces \mathbf{F}_1 and \mathbf{F}_2 . Determine the magnitude and direction of the resultant force.

SOLUTION I

Scalar Notation. First we resolve each force into its x and y components, Fig. 2-19b, then we sum these components algebraically.

$$\begin{aligned} \rightarrow F_{Rx} = \Sigma F_x; \quad F_{Rx} &= 600 \cos 30^\circ \text{ N} - 400 \sin 45^\circ \text{ N} \\ &= 236.8 \text{ N} \rightarrow \end{aligned}$$

$$\begin{aligned} + \uparrow F_{Ry} = \Sigma F_y; \quad F_{Ry} &= 600 \sin 30^\circ \text{ N} + 400 \cos 45^\circ \text{ N} \\ &= 582.8 \text{ N} \uparrow \end{aligned}$$

The resultant force, shown in Fig. 2-18c, has a *magnitude* of

$$\begin{aligned} F_R &= \sqrt{(236.8 \text{ N})^2 + (582.8 \text{ N})^2} \\ &= 629 \text{ N} \end{aligned}$$

Ans.

From the vector addition,

$$\theta = \tan^{-1} \left(\frac{582.8 \text{ N}}{236.8 \text{ N}} \right) = 67.9^\circ$$

Ans.

SOLUTION II

Cartesian Vector Notation. From Fig. 2-19b, each force is first expressed as a Cartesian vector.

$$\mathbf{F}_1 = \{600 \cos 30^\circ \mathbf{i} + 600 \sin 30^\circ \mathbf{j}\} \text{ N}$$

$$\mathbf{F}_2 = \{-400 \sin 45^\circ \mathbf{i} + 400 \cos 45^\circ \mathbf{j}\} \text{ N}$$

Then,

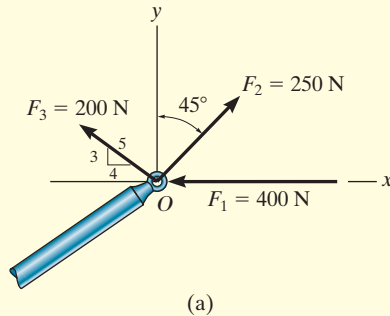
$$\begin{aligned} \mathbf{F}_R &= \mathbf{F}_1 + \mathbf{F}_2 = (600 \cos 30^\circ \text{ N} - 400 \sin 45^\circ \text{ N}) \mathbf{i} \\ &\quad + (600 \sin 30^\circ \text{ N} + 400 \cos 45^\circ \text{ N}) \mathbf{j} \\ &= \{236.8 \mathbf{i} + 582.8 \mathbf{j}\} \text{ N} \end{aligned}$$

The magnitude and direction of \mathbf{F}_R are determined in the same manner as before.

NOTE: Comparing the two methods of solution, notice that the use of scalar notation is more efficient since the components can be found *directly*, without first having to express each force as a Cartesian vector before adding the components. Later, however, we will show that Cartesian vector analysis is very beneficial for solving three-dimensional problems.

EXAMPLE 2.7

The end of the boom O in Fig. 2–20a is subjected to three concurrent and coplanar forces. Determine the magnitude and direction of the resultant force.



SOLUTION

Each force is resolved into its x and y components, Fig. 2–20b. Summing the x components, we have

$$\begin{aligned} \rightarrow F_{Rx} &= \Sigma F_x; & F_{Rx} &= -400 \text{ N} + 250 \sin 45^\circ \text{ N} - 200\left(\frac{4}{5}\right) \text{ N} \\ & & &= -383.2 \text{ N} = 383.2 \text{ N} \leftarrow \end{aligned}$$

The negative sign indicates that F_{Rx} acts to the left, i.e., in the negative x direction, as noted by the small arrow. Obviously, this occurs because F_1 and F_3 in Fig. 2–20b contribute a greater pull to the left than F_2 which pulls to the right. Summing the y components yields

$$\begin{aligned} +\uparrow F_{Ry} &= \Sigma F_y; & F_{Ry} &= 250 \cos 45^\circ \text{ N} + 200\left(\frac{3}{5}\right) \text{ N} \\ & & &= 296.8 \text{ N} \uparrow \end{aligned}$$

The resultant force, shown in Fig. 2–20c, has a *magnitude* of

$$\begin{aligned} F_R &= \sqrt{(-383.2 \text{ N})^2 + (296.8 \text{ N})^2} \\ &= 485 \text{ N} \end{aligned} \quad \text{Ans.}$$

From the vector addition in Fig. 2–20c, the direction angle θ is

$$\theta = \tan^{-1}\left(\frac{296.8}{383.2}\right) = 37.8^\circ \quad \text{Ans.}$$

NOTE: Application of this method is more convenient, compared to using two applications of the parallelogram law, first to add \mathbf{F}_1 and \mathbf{F}_2 then adding \mathbf{F}_3 to this resultant.

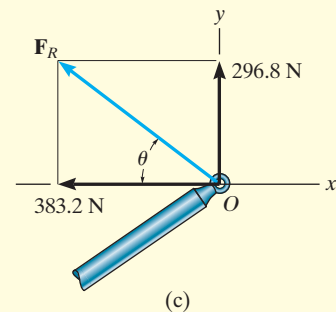
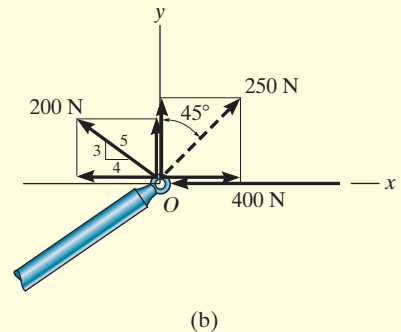
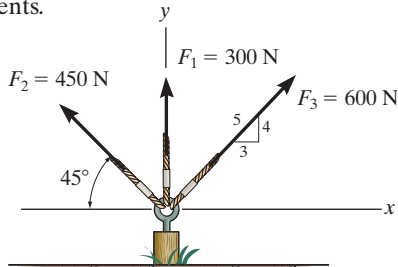


Fig. 2–20

FUNDAMENTAL PROBLEMS

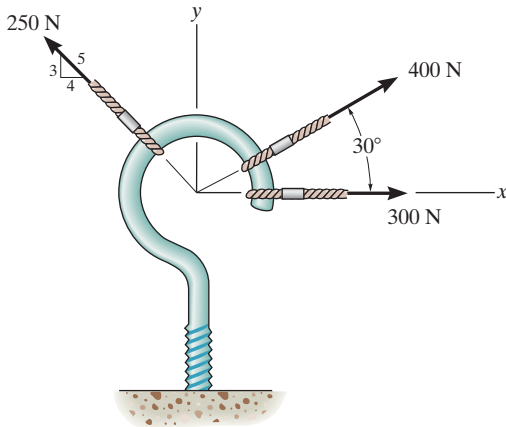
2

F2-7. Resolve each force acting on the post into its x and y components.



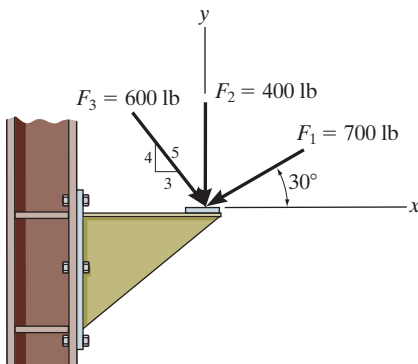
F2-7

F2-8. Determine the magnitude and direction of the resultant force.



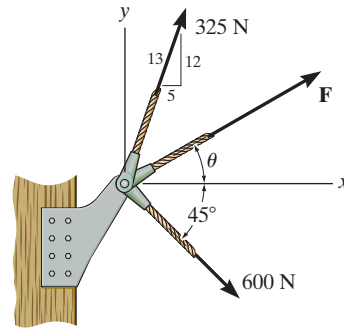
F2-8

F2-9. Determine the magnitude of the resultant force acting on the corbel and its direction θ measured counterclockwise from the x axis.



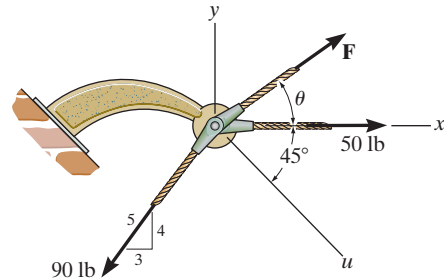
F2-9

F2-10. If the resultant force acting on the bracket is to be 750 N directed along the positive x axis, determine the magnitude of F and its direction θ .



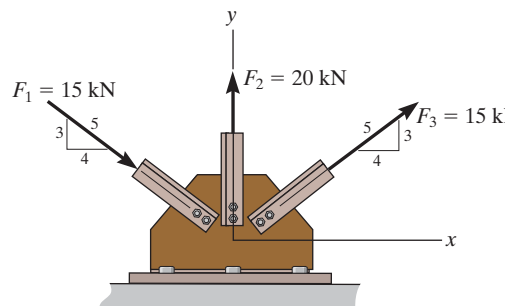
F2-10

F2-11. If the magnitude of the resultant force acting on the bracket is to be 80 lb directed along the u axis, determine the magnitude of F and its direction θ .



F2-11

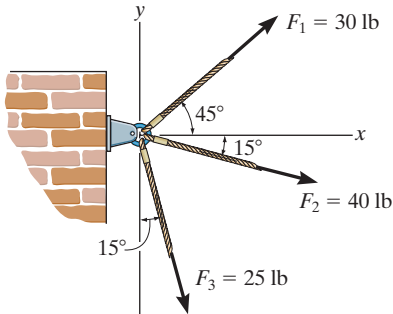
F2-12. Determine the magnitude of the resultant force and its direction θ measured counterclockwise from the positive x axis.



F2-12

PROBLEMS

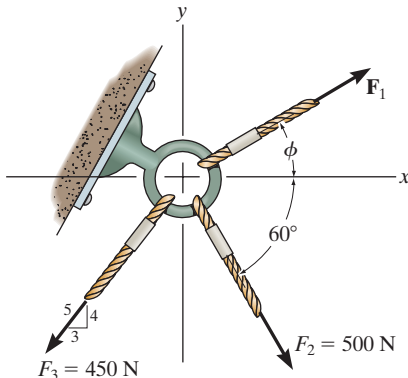
***2–32.** Determine the magnitude of the resultant force acting on the pin and its direction measured clockwise from the positive x axis.



Prob. 2–32

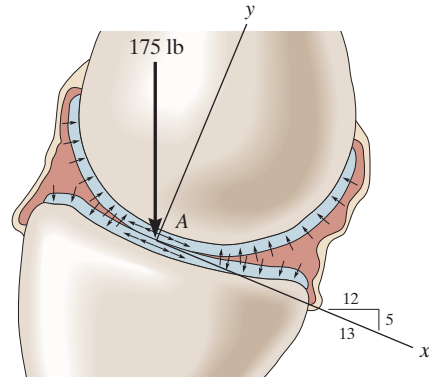
•2–33. If $F_1 = 600$ N and $\phi = 30^\circ$, determine the magnitude of the resultant force acting on the eyebolt and its direction measured clockwise from the positive x axis.

2–34. If the magnitude of the resultant force acting on the eyebolt is 600 N and its direction measured clockwise from the positive x axis is $\theta = 30^\circ$, determine the magnitude of F_1 and the angle ϕ .



Probs. 2–33/34

2–35. The contact point between the femur and tibia bones of the leg is at A . If a vertical force of 175 lb is applied at this point, determine the components along the x and y axes. Note that the y component represents the normal force on the load-bearing region of the bones. Both the x and y components of this force cause synovial fluid to be squeezed out of the bearing space.

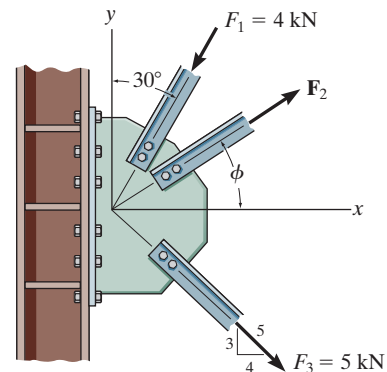


Prob. 2–35

***2–36.** If $\phi = 30^\circ$ and $F_2 = 3$ kN, determine the magnitude of the resultant force acting on the plate and its direction θ measured clockwise from the positive x axis.

•2–37. If the magnitude for the resultant force acting on the plate is required to be 6 kN and its direction measured clockwise from the positive x axis is $\theta = 30^\circ$, determine the magnitude of F_2 and its direction ϕ .

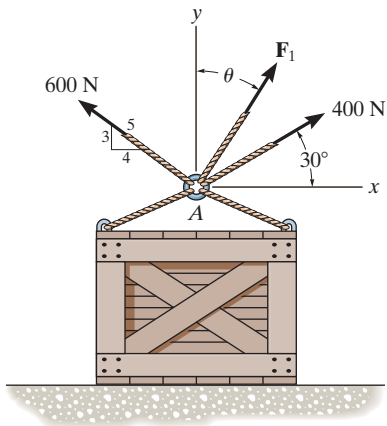
2–38. If $\phi = 30^\circ$ and the resultant force acting on the gusset plate is directed along the positive x axis, determine the magnitudes of F_2 and the resultant force.



Probs. 2–36/37/38

2-39. Determine the magnitude of \mathbf{F}_1 and its direction θ so that the resultant force is directed vertically upward and has a magnitude of 800 N.

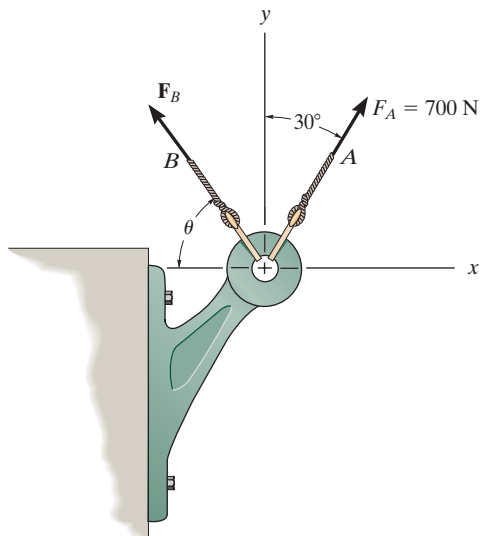
***2-40.** Determine the magnitude and direction measured counterclockwise from the positive x axis of the resultant force of the three forces acting on the ring A . Take $F_1 = 500$ N and $\theta = 20^\circ$.



Probs. 2-39/40

•2-41. Determine the magnitude and direction θ of \mathbf{F}_B so that the resultant force is directed along the positive y axis and has a magnitude of 1500 N.

2-42. Determine the magnitude and angle measured counterclockwise from the positive y axis of the resultant force acting on the bracket if $F_B = 600$ N and $\theta = 20^\circ$.

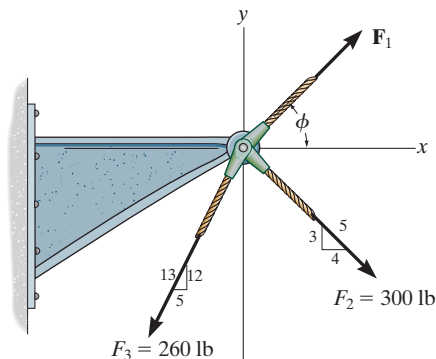


Probs. 2-41/42

2-43. If $\phi = 30^\circ$ and $F_1 = 250$ lb, determine the magnitude of the resultant force acting on the bracket and its direction measured clockwise from the positive x axis.

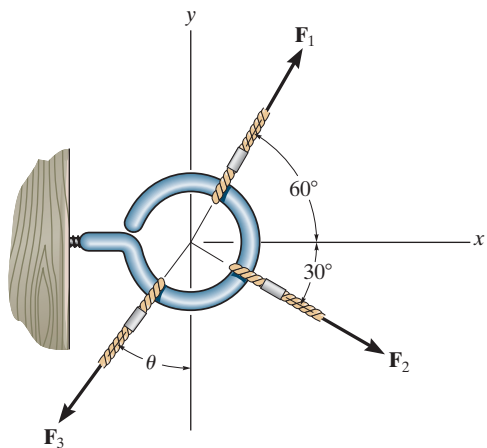
***2-44.** If the magnitude of the resultant force acting on the bracket is 400 lb directed along the positive x axis, determine the magnitude of \mathbf{F}_1 and its direction ϕ .

•2-45. If the resultant force acting on the bracket is to be directed along the positive x axis and the magnitude of \mathbf{F}_1 is required to be a minimum, determine the magnitudes of the resultant force and \mathbf{F}_1 .



Probs. 2-43/44/45

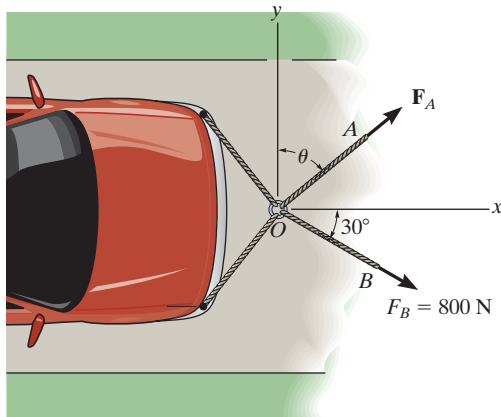
2-46. The three concurrent forces acting on the screw eye produce a resultant force $\mathbf{F}_R = 0$. If $F_2 = \frac{2}{3} F_1$ and \mathbf{F}_1 is to be 90° from \mathbf{F}_2 as shown, determine the required magnitude of \mathbf{F}_3 expressed in terms of F_1 and the angle θ .



Prob. 2-46

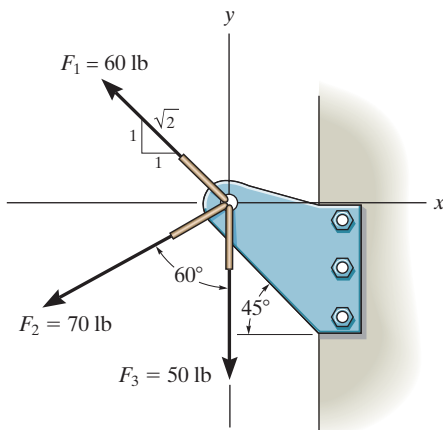
2-47. Determine the magnitude of \mathbf{F}_A and its direction θ so that the resultant force is directed along the positive x axis and has a magnitude of 1250 N.

***2-48.** Determine the magnitude and direction measured counterclockwise from the positive x axis of the resultant force acting on the ring at O if $F_A = 750$ N and $\theta = 45^\circ$.



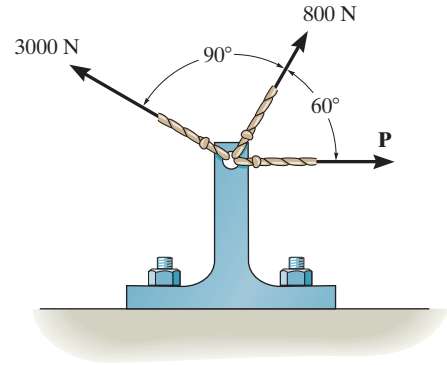
Probs. 2-47/48

•2-49. Determine the magnitude of the resultant force and its direction measured counterclockwise from the positive x axis.



Prob. 2-49

2-50. The three forces are applied to the bracket. Determine the range of values for the magnitude of force \mathbf{P} so that the resultant of the three forces does not exceed 2400 N.

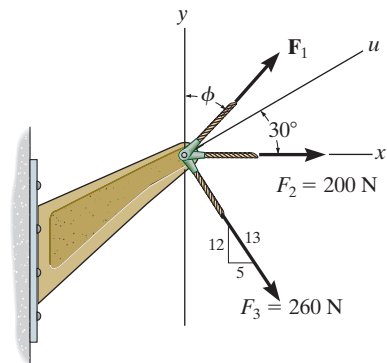


Prob. 2-50

2-51. If $F_1 = 150$ N and $\phi = 30^\circ$, determine the magnitude of the resultant force acting on the bracket and its direction measured clockwise from the positive x axis.

***2-52.** If the magnitude of the resultant force acting on the bracket is to be 450 N directed along the positive u axis, determine the magnitude of \mathbf{F}_1 and its direction ϕ .

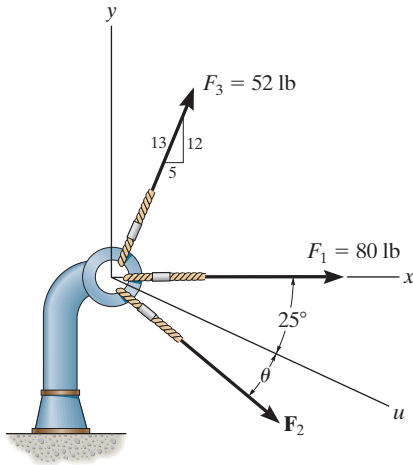
•2-53. If the resultant force acting on the bracket is required to be a minimum, determine the magnitudes of \mathbf{F}_1 and the resultant force. Set $\phi = 30^\circ$.



Probs. 2-51/52/53

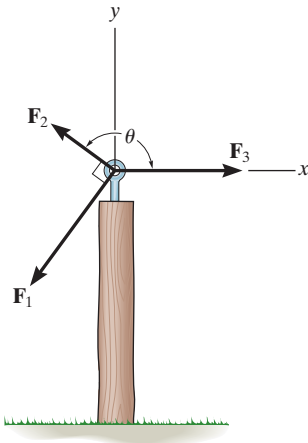
2-54. Three forces act on the bracket. Determine the magnitude and direction θ of \mathbf{F}_2 so that the resultant force is directed along the positive u axis and has a magnitude of 50 lb.

2-55. If $F_2 = 150$ lb and $\theta = 55^\circ$, determine the magnitude and direction measured clockwise from the positive x axis of the resultant force of the three forces acting on the bracket.



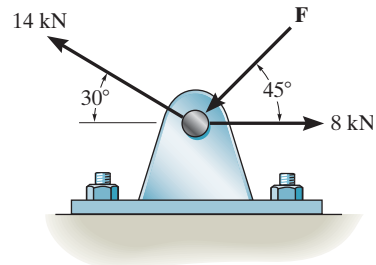
Probs. 2-54/55

***2-56.** The three concurrent forces acting on the post produce a resultant force $\mathbf{F}_R = \mathbf{0}$. If $F_2 = \frac{1}{2}F_1$, and \mathbf{F}_1 is to be 90° from \mathbf{F}_2 as shown, determine the required magnitude of F_3 expressed in terms of F_1 and the angle θ .



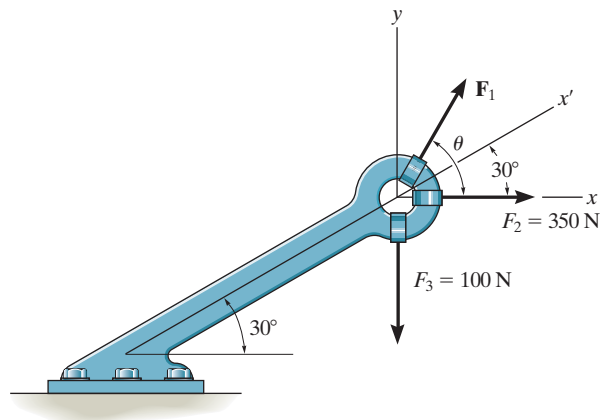
Prob. 2-56

•2-57. Determine the magnitude of force \mathbf{F} so that the resultant force of the three forces is as small as possible. What is the magnitude of this smallest resultant force?



Prob. 2-57

2-58. Express each of the three forces acting on the bracket in Cartesian vector form with respect to the x and y axes. Determine the magnitude and direction θ of \mathbf{F}_1 so that the resultant force is directed along the positive x' axis and has a magnitude of $F_R = 600$ N.



Prob. 2-58

2.5 Cartesian Vectors

The operations of vector algebra, when applied to solving problems in *three dimensions*, are greatly simplified if the vectors are first represented in Cartesian vector form. In this section we will present a general method for doing this; then in the next section we will use this method for finding the resultant force of a system of concurrent forces.

Right-Handed Coordinate System. We will use a right-handed coordinate system to develop the theory of vector algebra that follows. A rectangular coordinate system is said to be *right-handed* if the thumb of the right hand points in the direction of the positive z axis when the right-hand fingers are curled about this axis and directed from the positive x towards the positive y axis, Fig. 2–21.

Rectangular Components of a Vector. A vector \mathbf{A} may have one, two, or three rectangular components along the x , y , z coordinate axes, depending on how the vector is oriented relative to the axes. In general, though, when \mathbf{A} is directed within an octant of the x , y , z frame, Fig. 2–22, then by two successive applications of the parallelogram law, we may resolve the vector into components as $\mathbf{A} = \mathbf{A}' + \mathbf{A}_z$ and then $\mathbf{A}' = \mathbf{A}_x + \mathbf{A}_y$. Combining these equations, to eliminate \mathbf{A}' , \mathbf{A} is represented by the vector sum of its *three* rectangular components,

$$\mathbf{A} = \mathbf{A}_x + \mathbf{A}_y + \mathbf{A}_z \quad (2-2)$$

Cartesian Unit Vectors. In three dimensions, the set of Cartesian unit vectors, \mathbf{i} , \mathbf{j} , \mathbf{k} , is used to designate the directions of the x , y , z axes, respectively. As stated in Sec. 2.4, the *sense* (or arrowhead) of these vectors will be represented analytically by a plus or minus sign, depending on whether they are directed along the positive or negative x , y , or z axes. The positive Cartesian unit vectors are shown in Fig. 2–23.

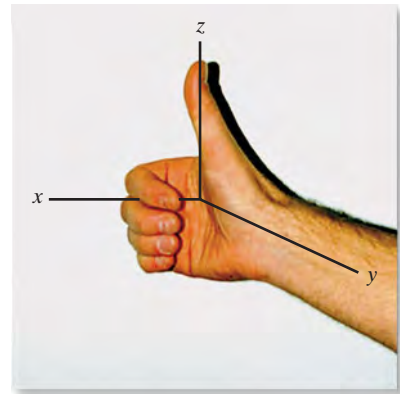


Fig. 2–21

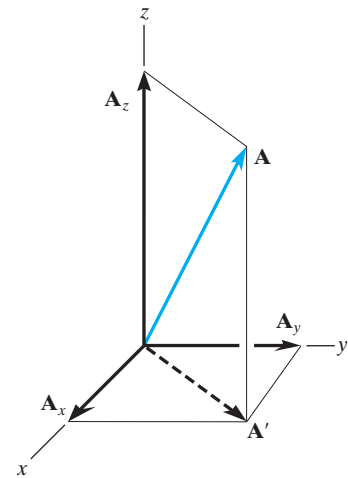


Fig. 2–22

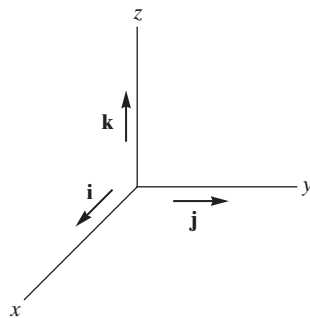


Fig. 2–23

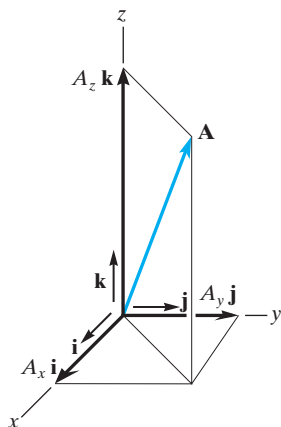


Fig. 2-24

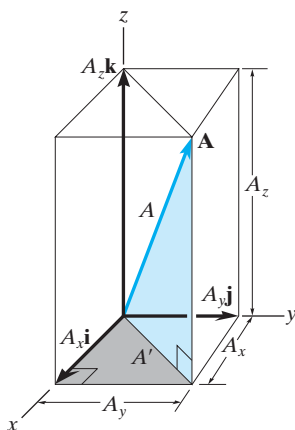


Fig. 2-25

Cartesian Vector Representation. Since the three components of \mathbf{A} in Eq. 2-2 act in the positive \mathbf{i} , \mathbf{j} , and \mathbf{k} directions, Fig. 2-24, we can write \mathbf{A} in Cartesian vector form as

$$\mathbf{A} = A_x \mathbf{i} + A_y \mathbf{j} + A_z \mathbf{k} \quad (2-3)$$

There is a distinct advantage to writing vectors in this manner. Separating the *magnitude* and *direction* of each *component vector* will simplify the operations of vector algebra, particularly in three dimensions.

Magnitude of a Cartesian Vector. It is always possible to obtain the magnitude of \mathbf{A} provided it is expressed in Cartesian vector form. As shown in Fig. 2-25, from the blue right triangle, $A = \sqrt{A'^2 + A_z^2}$, and from the gray right triangle, $A' = \sqrt{A_x^2 + A_y^2}$. Combining these equations to eliminate A' , yields

$$A = \sqrt{A_x^2 + A_y^2 + A_z^2} \quad (2-4)$$

Hence, the magnitude of \mathbf{A} is equal to the positive square root of the sum of the squares of its components.

Direction of a Cartesian Vector. We will define the *direction* of \mathbf{A} by the *coordinate direction angles* α (alpha), β (beta), and γ (gamma), measured between the *tail* of \mathbf{A} and the *positive* x , y , z axes provided they are located at the tail of \mathbf{A} , Fig. 2-26. Note that regardless of where \mathbf{A} is directed, each of these angles will be between 0° and 180° .

To determine α , β , and γ , consider the projection of \mathbf{A} onto the x , y , z axes, Fig. 2-27. Referring to the blue colored right triangles shown in each figure, we have

$$\cos \alpha = \frac{A_x}{A} \quad \cos \beta = \frac{A_y}{A} \quad \cos \gamma = \frac{A_z}{A} \quad (2-5)$$

These numbers are known as the *direction cosines* of \mathbf{A} . Once they have been obtained, the coordinate direction angles α , β , γ can then be determined from the inverse cosines.

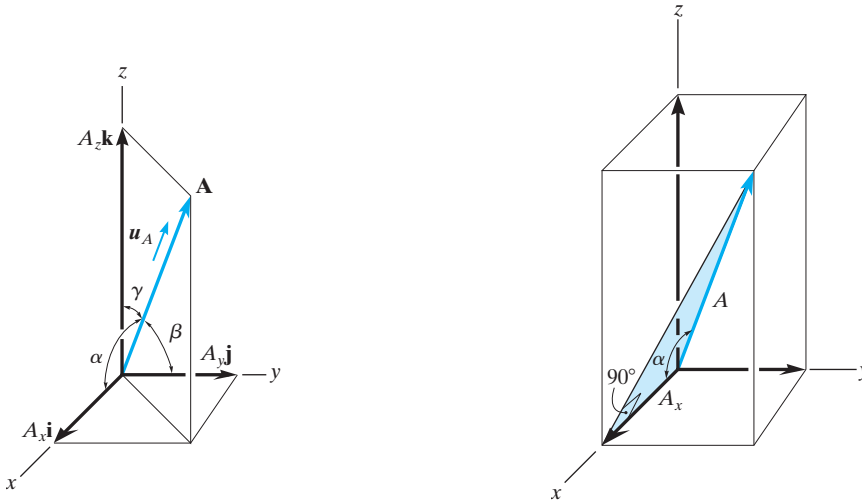


Fig. 2-26

An easy way of obtaining these direction cosines is to form a unit vector \mathbf{u}_A in the direction of \mathbf{A} , Fig. 2-26. If \mathbf{A} is expressed in Cartesian vector form, $\mathbf{A} = A_x\mathbf{i} + A_y\mathbf{j} + A_z\mathbf{k}$, then \mathbf{u}_A will have a magnitude of one and be dimensionless provided \mathbf{A} is divided by its magnitude, i.e.,

$$\mathbf{u}_A = \frac{\mathbf{A}}{A} = \frac{A_x}{A}\mathbf{i} + \frac{A_y}{A}\mathbf{j} + \frac{A_z}{A}\mathbf{k} \quad (2-6)$$

where $A = \sqrt{A_x^2 + A_y^2 + A_z^2}$. By comparison with Eqs. 2-7, it is seen that the $\mathbf{i}, \mathbf{j}, \mathbf{k}$ components of \mathbf{u}_A represent the direction cosines of \mathbf{A} , i.e.,

$$\mathbf{u}_A = \cos \alpha \mathbf{i} + \cos \beta \mathbf{j} + \cos \gamma \mathbf{k} \quad (2-7)$$

Since the magnitude of a vector is equal to the positive square root of the sum of the squares of the magnitudes of its components, and \mathbf{u}_A has a magnitude of one, then from the above equation an important relation between the direction cosines can be formulated as

$$\cos^2 \alpha + \cos^2 \beta + \cos^2 \gamma = 1 \quad (2-8)$$

Here we can see that if only *two* of the coordinate angles are known, the third angle can be found using this equation.

Finally, if the magnitude and coordinate direction angles of \mathbf{A} are known, then \mathbf{A} may be expressed in Cartesian vector form as

$$\begin{aligned} \mathbf{A} &= A\mathbf{u}_A \\ &= A \cos \alpha \mathbf{i} + A \cos \beta \mathbf{j} + A \cos \gamma \mathbf{k} \\ &= A_x \mathbf{i} + A_y \mathbf{j} + A_z \mathbf{k} \end{aligned} \quad (2-9)$$

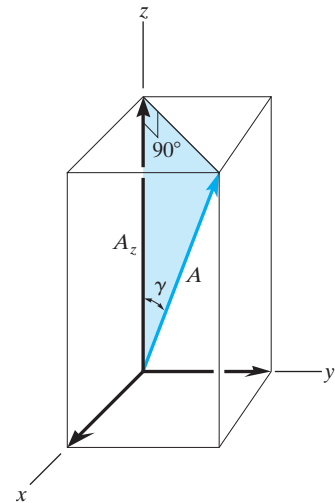
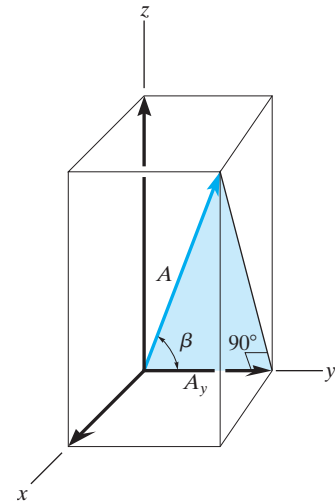


Fig 2-27

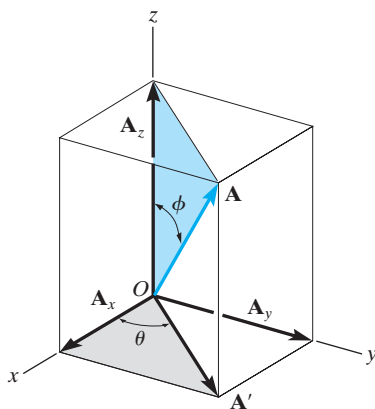


Fig. 2-28

Sometimes, the direction of \mathbf{A} can be specified using two angles, θ and ϕ (phi), such as shown in Fig. 2-28. The components of \mathbf{A} can then be determined by applying trigonometry first to the blue right triangle, which yields

$$A_z = A \cos \phi$$

and

$$A' = A \sin \phi$$

Now applying trigonometry to the other shaded right triangle,

$$A_x = A' \cos \theta = A \sin \phi \cos \theta$$

$$A_y = A' \sin \theta = A \sin \phi \sin \theta$$

Therefore \mathbf{A} written in Cartesian vector form becomes

$$\mathbf{A} = A \sin \phi \cos \theta \mathbf{i} + A \sin \phi \sin \theta \mathbf{j} + A \cos \phi \mathbf{k}$$

You should not memorize this equation, rather it is important to understand how the components were determined using trigonometry.

2.6 Addition of Cartesian Vectors

The addition (or subtraction) of two or more vectors are greatly simplified if the vectors are expressed in terms of their Cartesian components. For example, if $\mathbf{A} = A_x \mathbf{i} + A_y \mathbf{j} + A_z \mathbf{k}$ and $\mathbf{B} = B_x \mathbf{i} + B_y \mathbf{j} + B_z \mathbf{k}$, Fig. 2-29, then the resultant vector, \mathbf{R} , has components which are the scalar sums of the \mathbf{i} , \mathbf{j} , \mathbf{k} components of \mathbf{A} and \mathbf{B} , i.e.,

$$\mathbf{R} = \mathbf{A} + \mathbf{B} = (A_x + B_x) \mathbf{i} + (A_y + B_y) \mathbf{j} + (A_z + B_z) \mathbf{k}$$

If this is generalized and applied to a system of several concurrent forces, then the force resultant is the vector sum of all the forces in the system and can be written as

$$\mathbf{F}_R = \Sigma \mathbf{F} = \Sigma F_x \mathbf{i} + \Sigma F_y \mathbf{j} + \Sigma F_z \mathbf{k} \quad (2-10)$$

Here ΣF_x , ΣF_y , and ΣF_z represent the algebraic sums of the respective x , y , z or \mathbf{i} , \mathbf{j} , \mathbf{k} components of each force in the system.

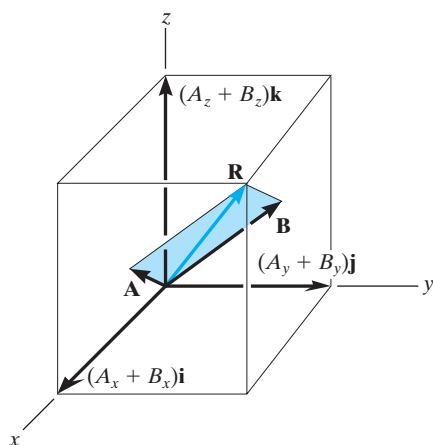


Fig. 2-29

Important Points

- Cartesian vector analysis is often used to solve problems in three dimensions.
- The positive directions of the x , y , z axes are defined by the Cartesian unit vectors \mathbf{i} , \mathbf{j} , \mathbf{k} , respectively.
- The *magnitude* of a Cartesian vector is $A = \sqrt{A_x^2 + A_y^2 + A_z^2}$.
- The *direction* of a Cartesian vector is specified using coordinate direction angles α , β , γ which the tail of the vector makes with the positive x , y , z axes, respectively. The components of the unit vector $\mathbf{u}_A = \mathbf{A}/A$ represent the direction cosines of α , β , γ . Only two of the angles α , β , γ have to be specified. The third angle is determined from the relationship $\cos^2 \alpha + \cos^2 \beta + \cos^2 \gamma = 1$.
- Sometimes the direction of a vector is defined using the two angles θ and ϕ as in Fig. 2–28. In this case the vector components are obtained by vector resolution using trigonometry.
- To find the *resultant* of a concurrent force system, express each force as a Cartesian vector and add the \mathbf{i} , \mathbf{j} , \mathbf{k} components of all the forces in the system.



The resultant force acting on the bow the ship can be determined by first representing each rope force as a Cartesian vector and then summing the \mathbf{i} , \mathbf{j} , and \mathbf{k} components.

EXAMPLE 2.8

Express the force \mathbf{F} shown in Fig. 2–30 as a Cartesian vector.

SOLUTION

Since only two coordinate direction angles are specified, the third angle α must be determined from Eq. 2–8; i.e.,

$$\begin{aligned}\cos^2 \alpha + \cos^2 \beta + \cos^2 \gamma &= 1 \\ \cos^2 \alpha + \cos^2 60^\circ + \cos^2 45^\circ &= 1 \\ \cos \alpha &= \sqrt{1 - (0.5)^2 - (0.707)^2} = \pm 0.5\end{aligned}$$

Hence, two possibilities exist, namely,

$$\alpha = \cos^{-1}(0.5) = 60^\circ \quad \text{or} \quad \alpha = \cos^{-1}(-0.5) = 120^\circ$$

By inspection it is necessary that $\alpha = 60^\circ$, since \mathbf{F}_x must be in the $+x$ direction.

Using Eq. 2–9, with $F = 200$ N, we have

$$\begin{aligned}\mathbf{F} &= F \cos \alpha \mathbf{i} + F \cos \beta \mathbf{j} + F \cos \gamma \mathbf{k} \\ &= (200 \cos 60^\circ \text{ N})\mathbf{i} + (200 \cos 60^\circ \text{ N})\mathbf{j} + (200 \cos 45^\circ \text{ N})\mathbf{k} \\ &= \{100.0\mathbf{i} + 100.0\mathbf{j} + 141.4\mathbf{k}\} \text{ N} \quad \text{Ans.}\end{aligned}$$

Show that indeed the magnitude of $F = 200$ N.

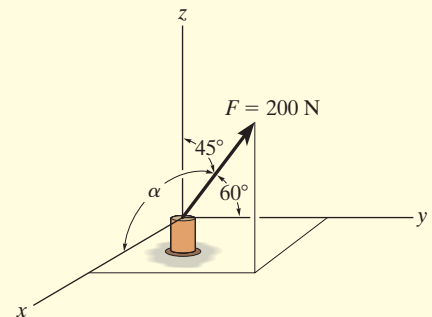


Fig. 2–30

EXAMPLE 2.9

Determine the magnitude and the coordinate direction angles of the resultant force acting on the ring in Fig. 2–31a.

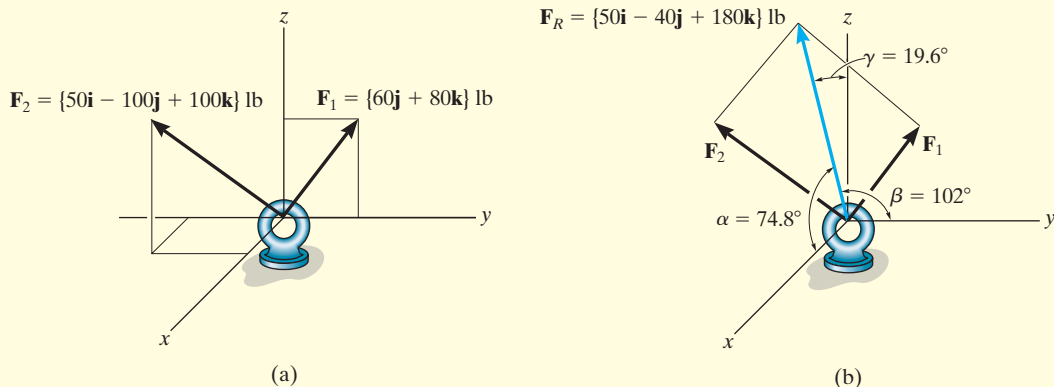


Fig. 2–31

SOLUTION

Since each force is represented in Cartesian vector form, the resultant force, shown in Fig. 2–31b, is

$$\begin{aligned}\mathbf{F}_R = \Sigma \mathbf{F} &= \mathbf{F}_1 + \mathbf{F}_2 = \{60\mathbf{j} + 80\mathbf{k}\} \text{ lb} + \{50\mathbf{i} - 100\mathbf{j} + 100\mathbf{k}\} \text{ lb} \\ &= \{50\mathbf{i} - 40\mathbf{j} + 180\mathbf{k}\} \text{ lb}\end{aligned}$$

The magnitude of \mathbf{F}_R is

$$\begin{aligned}F_R &= \sqrt{(50 \text{ lb})^2 + (-40 \text{ lb})^2 + (180 \text{ lb})^2} = 191.0 \text{ lb} \\ &= 191 \text{ lb}\end{aligned}$$

Ans.

The coordinate direction angles α , β , γ are determined from the components of the unit vector acting in the direction of \mathbf{F}_R .

$$\begin{aligned}\mathbf{u}_{F_R} &= \frac{\mathbf{F}_R}{F_R} = \frac{50}{191.0} \mathbf{i} - \frac{40}{191.0} \mathbf{j} + \frac{180}{191.0} \mathbf{k} \\ &= 0.2617\mathbf{i} - 0.2094\mathbf{j} + 0.9422\mathbf{k}\end{aligned}$$

so that

$$\cos \alpha = 0.2617 \quad \alpha = 74.8^\circ \quad \text{Ans.}$$

$$\cos \beta = -0.2094 \quad \beta = 102^\circ \quad \text{Ans.}$$

$$\cos \gamma = 0.9422 \quad \gamma = 19.6^\circ \quad \text{Ans.}$$

These angles are shown in Fig. 2–31b.

NOTE: In particular, notice that $\beta > 90^\circ$ since the \mathbf{j} component of \mathbf{u}_{F_R} is negative. This seems reasonable considering how \mathbf{F}_1 and \mathbf{F}_2 add according to the parallelogram law.

EXAMPLE 2.10

Express the force \mathbf{F} shown in Fig. 2–32a as a Cartesian vector.

SOLUTION

The angles of 60° and 45° defining the direction of \mathbf{F} are *not* coordinate direction angles. Two successive applications of the parallelogram law are needed to resolve \mathbf{F} into its x , y , z components. First $\mathbf{F} = \mathbf{F}' + \mathbf{F}_z$, then $\mathbf{F}' = \mathbf{F}_x + \mathbf{F}_y$, Fig. 2–32b. By trigonometry, the magnitudes of the components are

$$F_z = 100 \sin 60^\circ \text{ lb} = 86.6 \text{ lb}$$

$$F' = 100 \cos 60^\circ \text{ lb} = 50 \text{ lb}$$

$$F_x = F' \cos 45^\circ = 50 \cos 45^\circ \text{ lb} = 35.4 \text{ lb}$$

$$F_y = F' \sin 45^\circ = 50 \sin 45^\circ \text{ lb} = 35.4 \text{ lb}$$

Realizing that \mathbf{F}_y has a direction defined by $-\mathbf{j}$, we have

$$\mathbf{F} = \{35.4\mathbf{i} - 35.4\mathbf{j} + 86.6\mathbf{k}\} \text{ lb} \quad \text{Ans.}$$

To show that the magnitude of this vector is indeed 100 lb, apply Eq. 2–4,

$$\begin{aligned} F &= \sqrt{F_x^2 + F_y^2 + F_z^2} \\ &= \sqrt{(35.4)^2 + (-35.4)^2 + (86.6)^2} = 100 \text{ lb} \end{aligned}$$

If needed, the coordinate direction angles of \mathbf{F} can be determined from the components of the unit vector acting in the direction of \mathbf{F} . Hence,

$$\begin{aligned} \mathbf{u} &= \frac{\mathbf{F}}{F} = \frac{F_x}{F} \mathbf{i} + \frac{F_y}{F} \mathbf{j} + \frac{F_z}{F} \mathbf{k} \\ &= \frac{35.4}{100} \mathbf{i} - \frac{35.4}{100} \mathbf{j} + \frac{86.6}{100} \mathbf{k} \\ &= 0.354\mathbf{i} - 0.354\mathbf{j} + 0.866\mathbf{k} \end{aligned}$$

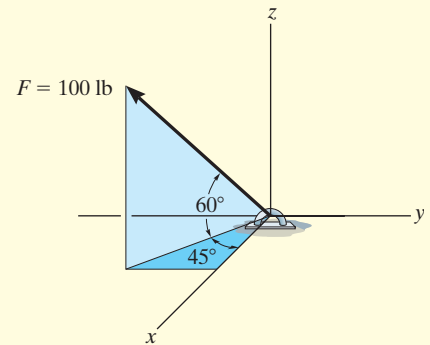
so that

$$\alpha = \cos^{-1}(0.354) = 69.3^\circ$$

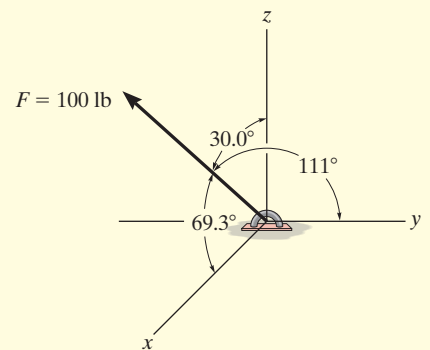
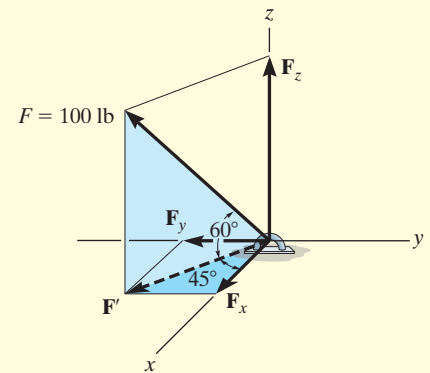
$$\beta = \cos^{-1}(-0.354) = 111^\circ$$

$$\gamma = \cos^{-1}(0.866) = 30.0^\circ$$

These results are shown in Fig. 2–31c.



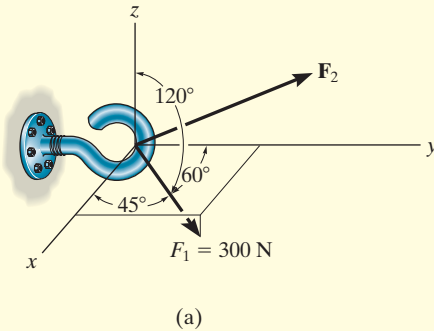
(a)



(c)

Fig. 2–32

EXAMPLE 2.11



Two forces act on the hook shown in Fig. 2–32a. Specify the magnitude of \mathbf{F}_2 and its coordinate direction angles of \mathbf{F}_2 that the resultant force \mathbf{F}_R acts along the positive y axis and has a magnitude of 800 N.

SOLUTION

To solve this problem, the resultant force \mathbf{F}_R and its two components, \mathbf{F}_1 and \mathbf{F}_2 , will each be expressed in Cartesian vector form. Then, as shown in Fig. 2–33a, it is necessary that $\mathbf{F}_R = \mathbf{F}_1 + \mathbf{F}_2$.

Applying Eq. 2–9,

$$\begin{aligned}\mathbf{F}_1 &= F_1 \cos \alpha_1 \mathbf{i} + F_1 \cos \beta_1 \mathbf{j} + F_1 \cos \gamma_1 \mathbf{k} \\ &= 300 \cos 45^\circ \mathbf{i} + 300 \cos 60^\circ \mathbf{j} + 300 \cos 120^\circ \mathbf{k} \\ &= \{212.1\mathbf{i} + 150\mathbf{j} - 150\mathbf{k}\} \text{ N}\end{aligned}$$

$$\mathbf{F}_2 = F_{2x}\mathbf{i} + F_{2y}\mathbf{j} + F_{2z}\mathbf{k}$$

Since \mathbf{F}_R has a magnitude of 800 N and acts in the $+\mathbf{j}$ direction,

$$\mathbf{F}_R = (800 \text{ N})(+\mathbf{j}) = \{800\mathbf{j}\} \text{ N}$$

We require

$$\mathbf{F}_R = \mathbf{F}_1 + \mathbf{F}_2$$

$$800\mathbf{j} = 212.1\mathbf{i} + 150\mathbf{j} - 150\mathbf{k} + F_{2x}\mathbf{i} + F_{2y}\mathbf{j} + F_{2z}\mathbf{k}$$

$$800\mathbf{j} = (212.1 + F_{2x})\mathbf{i} + (150 + F_{2y})\mathbf{j} + (-150 + F_{2z})\mathbf{k}$$

To satisfy this equation the \mathbf{i} , \mathbf{j} , \mathbf{k} components of \mathbf{F}_R must be equal to the corresponding \mathbf{i} , \mathbf{j} , \mathbf{k} components of $(\mathbf{F}_1 + \mathbf{F}_2)$. Hence,

$$0 = 212.1 + F_{2x} \quad F_{2x} = -212.1 \text{ N}$$

$$800 = 150 + F_{2y} \quad F_{2y} = 650 \text{ N}$$

$$0 = -150 + F_{2z} \quad F_{2z} = 150 \text{ N}$$

The magnitude of \mathbf{F}_2 is thus

$$\begin{aligned}F_2 &= \sqrt{(-212.1 \text{ N})^2 + (650 \text{ N})^2 + (150 \text{ N})^2} \\ &= 700 \text{ N}\end{aligned}$$

Ans.

We can use Eq. 2–9 to determine α_2 , β_2 , γ_2 .

$$\cos \alpha_2 = \frac{-212.1}{700}; \quad \alpha_2 = 108^\circ \quad \textit{Ans.}$$

$$\cos \beta_2 = \frac{650}{700}; \quad \beta_2 = 21.8^\circ \quad \textit{Ans.}$$

$$\cos \gamma_2 = \frac{150}{700}; \quad \gamma_2 = 77.6^\circ \quad \textit{Ans.}$$

These results are shown in Fig. 2–32b.

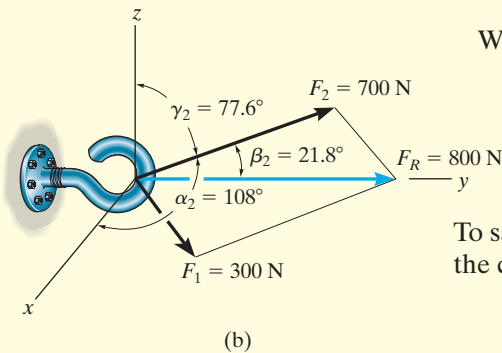
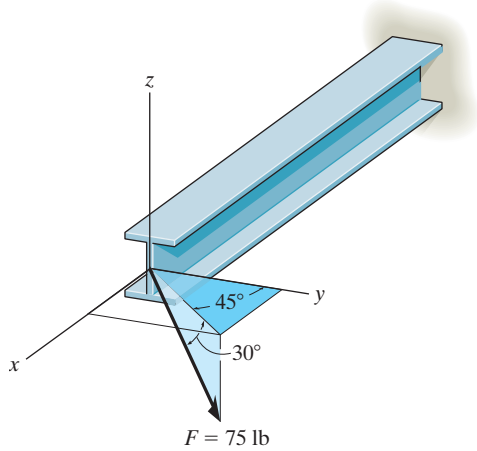


Fig. 2–33

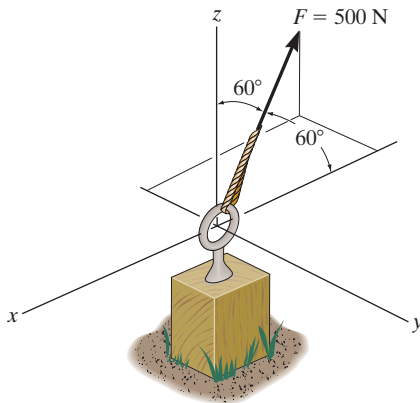
FUNDAMENTAL PROBLEMS

F2-13. Determine its coordinate direction angles of the force.



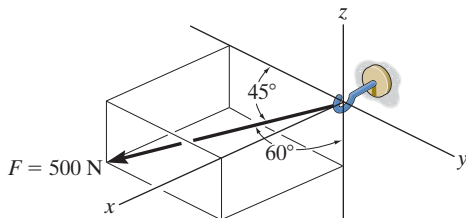
F2-13

F2-14. Express the force as a Cartesian vector.



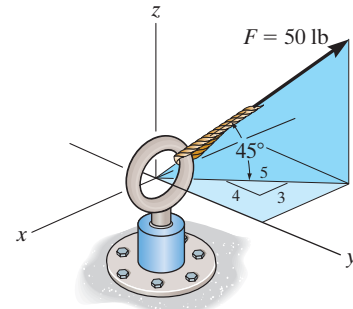
F2-14

F2-15. Express the force as a Cartesian vector.



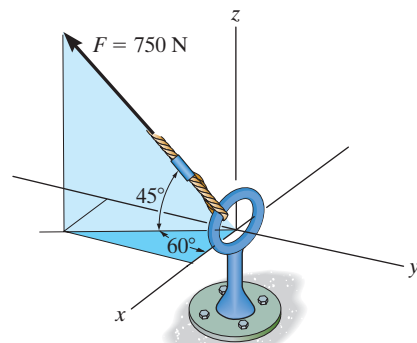
F2-15

F2-16. Express the force as a Cartesian vector.



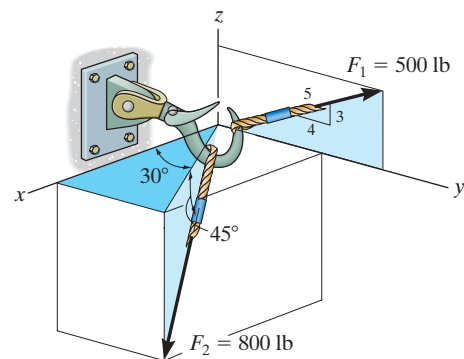
F2-16

F2-17. Express the force as a Cartesian vector.



F2-17

F2-18. Determine the resultant force acting on the hook.

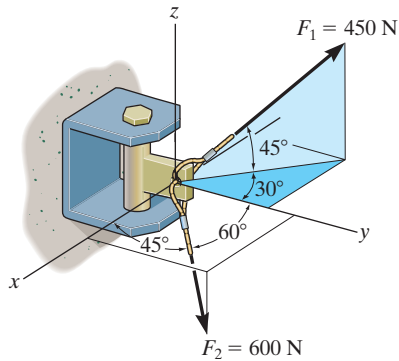


F2-18

PROBLEMS

2 **2-59.** Determine the coordinate angle γ for \mathbf{F}_2 and then express each force acting on the bracket as a Cartesian vector.

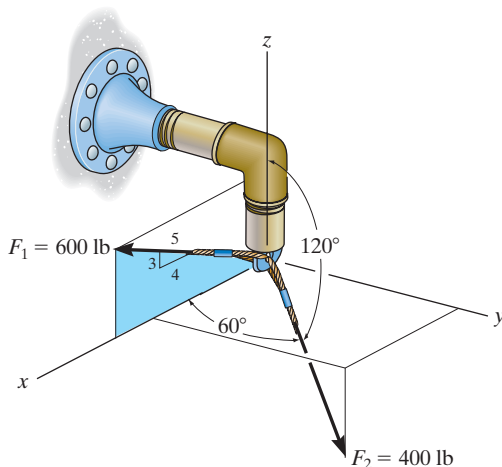
***2-60.** Determine the magnitude and coordinate direction angles of the resultant force acting on the bracket.



Probs. 2-59/60

•2-61. Express each force acting on the pipe assembly in Cartesian vector form.

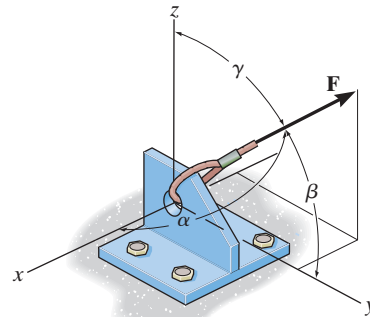
2-62. Determine the magnitude and direction of the resultant force acting on the pipe assembly.



Probs. 2-61/62

2-63. The force \mathbf{F} acts on the bracket within the octant shown. If $F = 400$ N, $\beta = 60^\circ$, and $\gamma = 45^\circ$, determine the x , y , z components of \mathbf{F} .

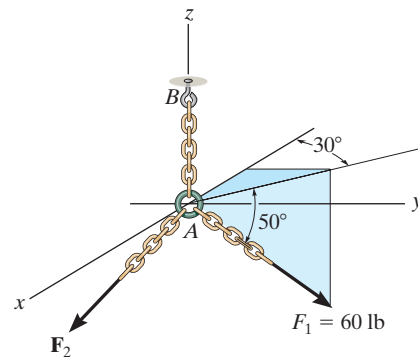
***2-64.** The force \mathbf{F} acts on the bracket within the octant shown. If the magnitudes of the x and z components of \mathbf{F} are $F_x = 300$ N and $F_z = 600$ N, respectively, and $\beta = 60^\circ$, determine the magnitude of \mathbf{F} and its y component. Also, find the coordinate direction angles α and γ .



Probs. 2-63/64

•2-65. The two forces \mathbf{F}_1 and \mathbf{F}_2 acting at A have a resultant force of $\mathbf{F}_R = \{-100\mathbf{k}\}$ lb. Determine the magnitude and coordinate direction angles of \mathbf{F}_2 .

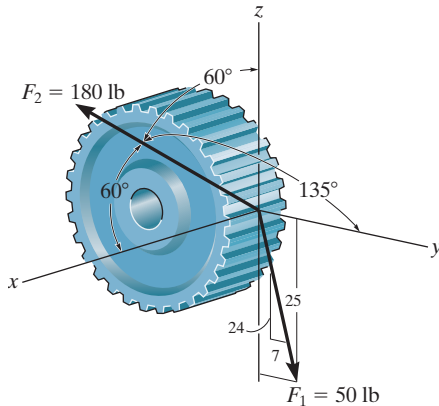
2-66. Determine the coordinate direction angles of the force \mathbf{F}_1 and indicate them on the figure.



Probs. 2-65/66

2-67. The spur gear is subjected to the two forces caused by contact with other gears. Express each force as a Cartesian vector.

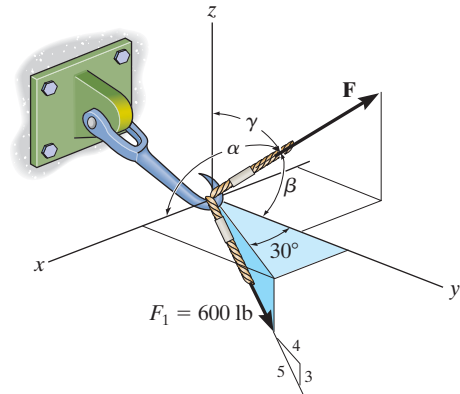
***2-68.** The spur gear is subjected to the two forces caused by contact with other gears. Determine the resultant of the two forces and express the result as a Cartesian vector.



Probs. 2-67/68

2-71. If $\alpha = 120^\circ$, $\beta < 90^\circ$, $\gamma = 60^\circ$, and $F = 400$ lb, determine the magnitude and coordinate direction angles of the resultant force acting on the hook.

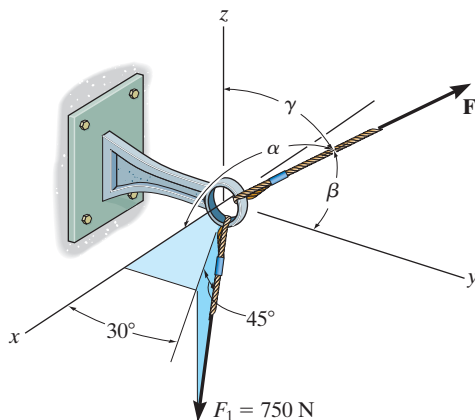
***2-72.** If the resultant force acting on the hook is $\mathbf{F}_R = \{-200\mathbf{i} + 800\mathbf{j} + 150\mathbf{k}\}$ lb, determine the magnitude and coordinate direction angles of \mathbf{F} .



Probs. 2-71/72

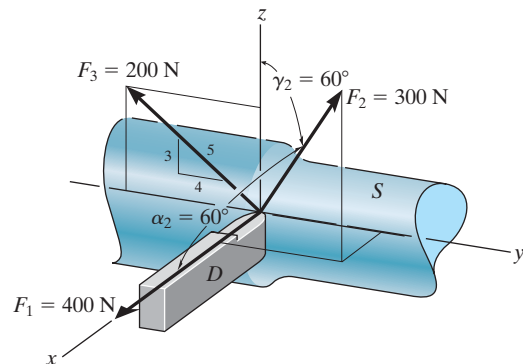
•2-69. If the resultant force acting on the bracket is $\mathbf{F}_R = \{-300\mathbf{i} + 650\mathbf{j} + 250\mathbf{k}\}$ N, determine the magnitude and coordinate direction angles of \mathbf{F} .

2-70. If the resultant force acting on the bracket is to be $\mathbf{F}_R = \{800\mathbf{j}\}$ N, determine the magnitude and coordinate direction angles of \mathbf{F} .



Probs. 2-69/70

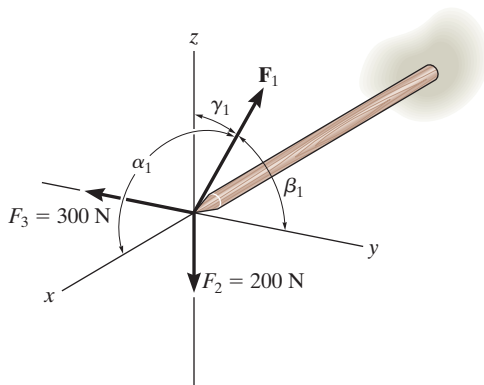
•2-73. The shaft S exerts three force components on the die D . Find the magnitude and coordinate direction angles of the resultant force. Force \mathbf{F}_2 acts within the octant shown.



Prob. 2-73

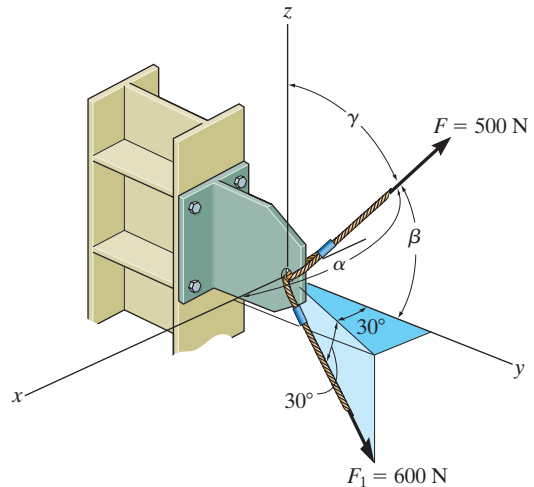
2-74. The mast is subjected to the three forces shown. Determine the coordinate direction angles $\alpha_1, \beta_1, \gamma_1$ of \mathbf{F}_1 so that the resultant force acting on the mast is $\mathbf{F}_R = \{350\mathbf{i}\}$ N.

2-75. The mast is subjected to the three forces shown. Determine the coordinate direction angles $\alpha_1, \beta_1, \gamma_1$ of \mathbf{F}_1 so that the resultant force acting on the mast is zero.



Probs. 2-74/75

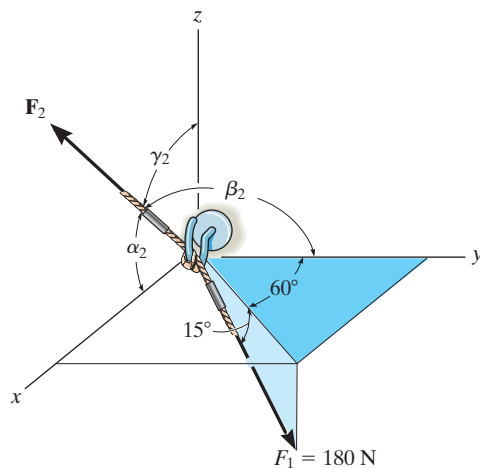
2-78. If the resultant force acting on the bracket is directed along the positive y axis, determine the magnitude of the resultant force and the coordinate direction angles of \mathbf{F} so that $\beta < 90^\circ$.



Prob. 2-78

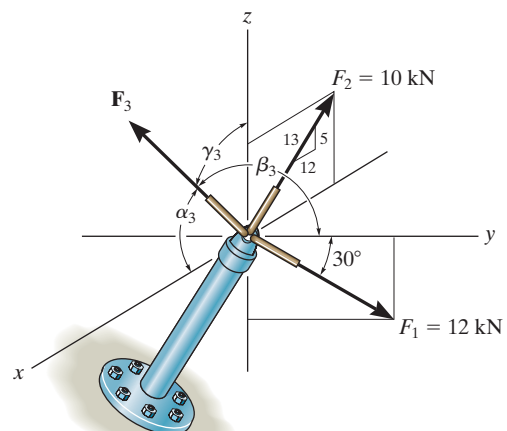
***2-76.** Determine the magnitude and coordinate direction angles of \mathbf{F}_2 so that the resultant of the two forces acts along the positive x axis and has a magnitude of 500 N.

•2-77. Determine the magnitude and coordinate direction angles of \mathbf{F}_2 so that the resultant of the two forces is zero.



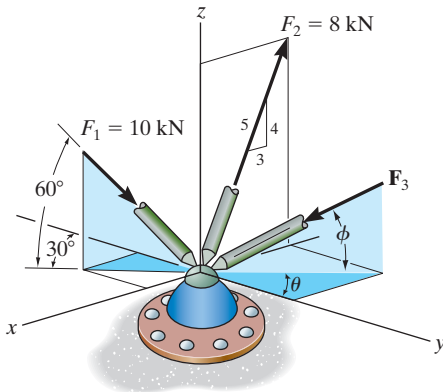
Probs. 2-76/77

2-79. Specify the magnitude of \mathbf{F}_3 and its coordinate direction angles $\alpha_3, \beta_3, \gamma_3$ so that the resultant force $\mathbf{F}_R = \{9\mathbf{j}\}$ kN.



Prob. 2-79

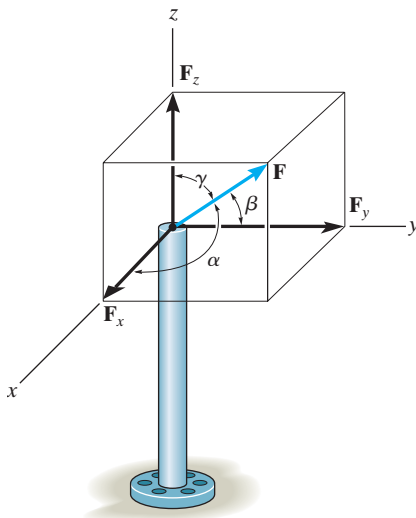
*2-80. If $F_3 = 9$ kN, $\theta = 30^\circ$, and $\phi = 45^\circ$, determine the magnitude and coordinate direction angles of the resultant force acting on the ball-and-socket joint.



Prob. 2-80

•2-81. The pole is subjected to the force \mathbf{F} , which has components acting along the x , y , z axes as shown. If the magnitude of \mathbf{F} is 3 kN, $\beta = 30^\circ$, and $\gamma = 75^\circ$, determine the magnitudes of its three components.

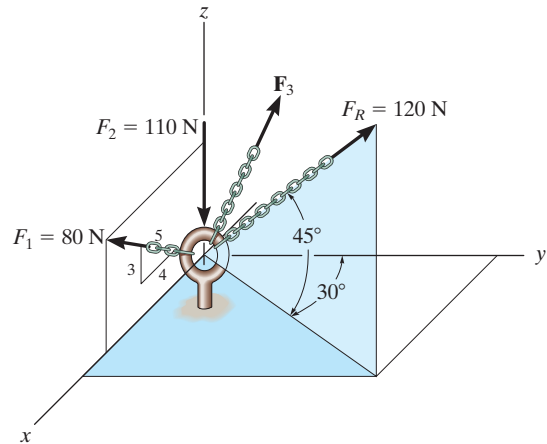
2-82. The pole is subjected to the force \mathbf{F} which has components $F_x = 1.5$ kN and $F_z = 1.25$ kN. If $\beta = 75^\circ$, determine the magnitudes of \mathbf{F} and F_y .



Probs. 2-81/82

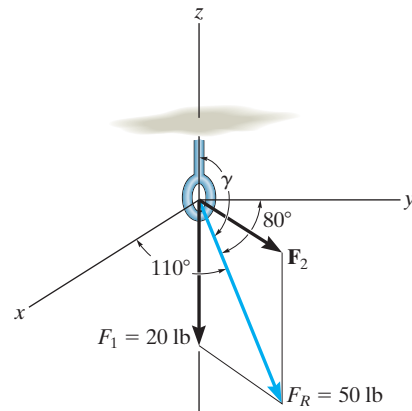
2-83. Three forces act on the ring. If the resultant force \mathbf{F}_R has a magnitude and direction as shown, determine the magnitude and the coordinate direction angles of force \mathbf{F}_3 .

*2-84. Determine the coordinate direction angles of \mathbf{F}_1 and \mathbf{F}_R .



Probs. 2-83/84

•2-85. Two forces \mathbf{F}_1 and \mathbf{F}_2 act on the bolt. If the resultant force \mathbf{F}_R has a magnitude of 50 lb and coordinate direction angles $\alpha = 110^\circ$ and $\beta = 80^\circ$, as shown, determine the magnitude of \mathbf{F}_2 and its coordinate direction angles.



Prob. 2-85

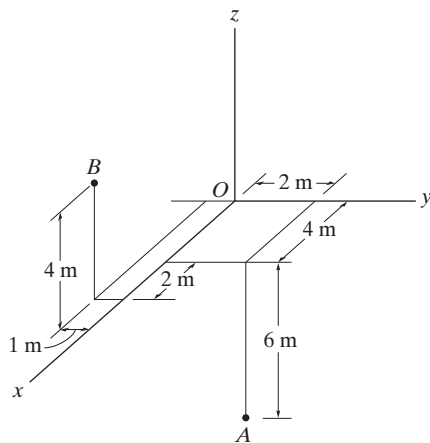


Fig. 2-34

2.7 Position Vectors

In this section we will introduce the concept of a position vector. It will be shown that this vector is of importance in formulating a Cartesian force vector directed between two points in space.

x, y, z Coordinates. Throughout the book we will use a *right-handed* coordinate system to reference the location of points in space. We will also use the convention followed in many technical books, which requires the positive z axis to be directed *upward* (the *zenith* direction) so that it measures the height of an object or the altitude of a point. The x, y axes then lie in the horizontal plane, Fig. 2-34. Points in space are located relative to the origin of coordinates, O , by successive measurements along the x, y, z axes. For example, the coordinates of point A are obtained by starting at O and measuring $x_A = +4$ m along the x axis, then $y_A = +2$ m along the y axis, and finally $z_A = -6$ m along the z axis. Thus, $A(4$ m, 2 m, -6 m). In a similar manner, measurements along the x, y, z axes from O to B yield the coordinates of B , i.e., $B(6$ m, -1 m, 4 m).

Position Vector. A *position vector* \mathbf{r} is defined as a fixed vector which locates a point in space relative to another point. For example, if \mathbf{r} extends from the origin of coordinates, O , to point $P(x, y, z)$, Fig. 2-35a, then \mathbf{r} can be expressed in Cartesian vector form as

$$\mathbf{r} = x\mathbf{i} + y\mathbf{j} + z\mathbf{k}$$

Note how the head-to-tail vector addition of the three components yields vector \mathbf{r} , Fig. 2-35b. Starting at the origin O , one “travels” x in the $+\mathbf{i}$ direction, then y in the $+\mathbf{j}$ direction, and finally z in the $+\mathbf{k}$ direction to arrive at point $P(x, y, z)$.

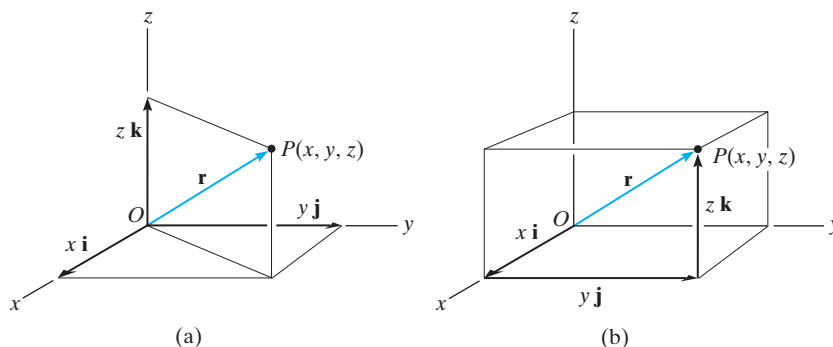


Fig. 2-35

In the more general case, the position vector may be directed from point A to point B in space, Fig. 2–36a. This vector is also designated by the symbol \mathbf{r} . As a matter of convention, we will *sometimes* refer to this vector with *two subscripts* to indicate from and to the point where it is directed. Thus, \mathbf{r} can also be designated as \mathbf{r}_{AB} . Also, note that \mathbf{r}_A and \mathbf{r}_B in Fig. 2–36a are referenced with only one subscript since they extend from the origin of coordinates.

From Fig. 2–36a, by the head-to-tail vector addition, using the triangle rule, we require

$$\mathbf{r}_A + \mathbf{r} = \mathbf{r}_B$$

Solving for \mathbf{r} and expressing \mathbf{r}_A and \mathbf{r}_B in Cartesian vector form yields

$$\mathbf{r} = \mathbf{r}_B - \mathbf{r}_A = (x_B\mathbf{i} + y_B\mathbf{j} + z_B\mathbf{k}) - (x_A\mathbf{i} + y_A\mathbf{j} + z_A\mathbf{k})$$

or

$$\mathbf{r} = (x_B - x_A)\mathbf{i} + (y_B - y_A)\mathbf{j} + (z_B - z_A)\mathbf{k} \quad (2-11)$$

Thus, the \mathbf{i} , \mathbf{j} , \mathbf{k} components of the position vector \mathbf{r} may be formed by taking the coordinates of the tail of the vector $A(x_A, y_A, z_A)$ and subtracting them from the corresponding coordinates of the head $B(x_B, y_B, z_B)$. We can also form these components *directly*, Fig. 2–36b, by starting at A and moving through a distance of $(x_B - x_A)$ along the positive x axis ($+\mathbf{i}$), then $(y_B - y_A)$ along the positive y axis ($+\mathbf{j}$), and finally $(z_B - z_A)$ along the positive z axis ($+\mathbf{k}$) to get to B .



If an x, y, z coordinate system is established, then the coordinates of points A and B can be determined. From this the position vector \mathbf{r} acting along the cable can be formulated. Its magnitude represents the length of the cable, and its unit vector, $\mathbf{u} = \mathbf{r}/r$, gives the direction defined by α, β, γ .

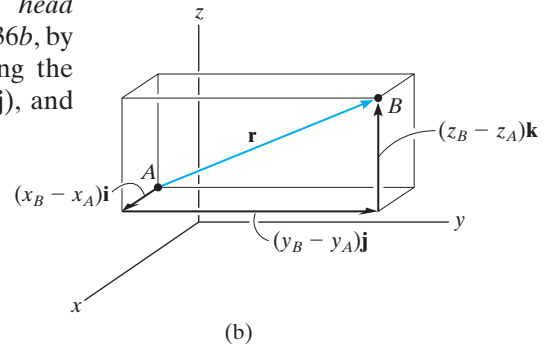
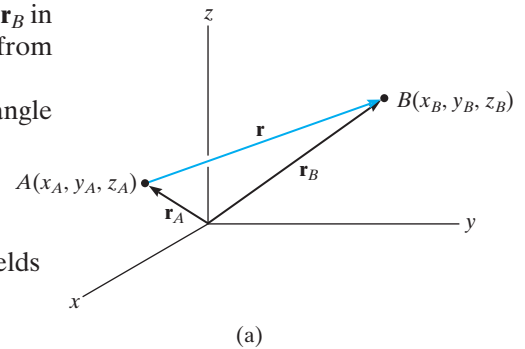


Fig. 2–36

EXAMPLE 2.12

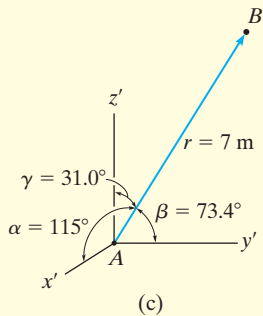
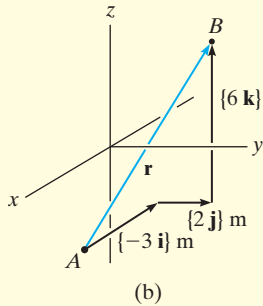
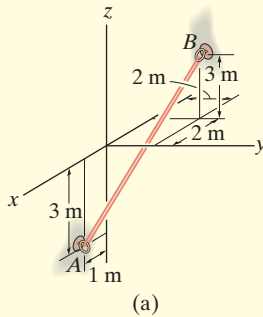


Fig. 2-37

An elastic rubber band is attached to points A and B as shown in Fig. 2-37a. Determine its length and its direction measured from A toward B .

SOLUTION

We first establish a position vector from A to B , Fig. 2-37b. In accordance with Eq. 2-11, the coordinates of the tail $A(1\text{ m}, 0, -3\text{ m})$ are subtracted from the coordinates of the head $B(-2\text{ m}, 2\text{ m}, 3\text{ m})$, which yields

$$\begin{aligned}\mathbf{r} &= [-2\text{ m} - 1\text{ m}]\mathbf{i} + [2\text{ m} - 0]\mathbf{j} + [3\text{ m} - (-3\text{ m})]\mathbf{k} \\ &= \{-3\mathbf{i} + 2\mathbf{j} + 6\mathbf{k}\}\text{ m}\end{aligned}$$

These components of \mathbf{r} can also be determined *directly* by realizing that they represent the direction and distance one must travel along each axis in order to move from A to B , i.e., along the x axis $\{-3\mathbf{i}\}\text{ m}$, along the y axis $\{2\mathbf{j}\}\text{ m}$, and finally along the z axis $\{6\mathbf{k}\}\text{ m}$.

The length of the rubber band is therefore

$$r = \sqrt{(-3\text{ m})^2 + (2\text{ m})^2 + (6\text{ m})^2} = 7\text{ m} \quad \text{Ans.}$$

Formulating a unit vector in the direction of \mathbf{r} , we have

$$\mathbf{u} = \frac{\mathbf{r}}{r} = -\frac{3}{7}\mathbf{i} + \frac{2}{7}\mathbf{j} + \frac{6}{7}\mathbf{k}$$

The components of this unit vector give the coordinate direction angles

$$\alpha = \cos^{-1}\left(-\frac{3}{7}\right) = 115^\circ \quad \text{Ans.}$$

$$\beta = \cos^{-1}\left(\frac{2}{7}\right) = 73.4^\circ \quad \text{Ans.}$$

$$\gamma = \cos^{-1}\left(\frac{6}{7}\right) = 31.0^\circ \quad \text{Ans.}$$

NOTE: These angles are measured from the *positive axes* of a localized coordinate system placed at the tail of \mathbf{r} , as shown in Fig. 2-37c.

2.8 Force Vector Directed Along a Line

Quite often in three-dimensional statics problems, the direction of a force is specified by two points through which its line of action passes. Such a situation is shown in Fig. 2–38, where the force \mathbf{F} is directed along the cord AB . We can formulate \mathbf{F} as a Cartesian vector by realizing that it has the *same direction and sense* as the position vector \mathbf{r} directed from point A to point B on the cord. This common direction is specified by the *unit vector* $\mathbf{u} = \mathbf{r}/r$. Hence,

$$\mathbf{F} = F\mathbf{u} = F\left(\frac{\mathbf{r}}{r}\right) = F\left(\frac{(x_B - x_A)\mathbf{i} + (y_B - y_A)\mathbf{j} + (z_B - z_A)\mathbf{k}}{\sqrt{(x_B - x_A)^2 + (y_B - y_A)^2 + (z_B - z_A)^2}}\right)$$

Although we have represented \mathbf{F} symbolically in Fig. 2–38, note that it has *units of force*, unlike \mathbf{r} , which has units of length.

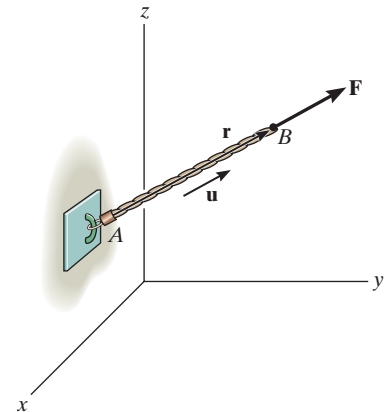


Fig. 2–38



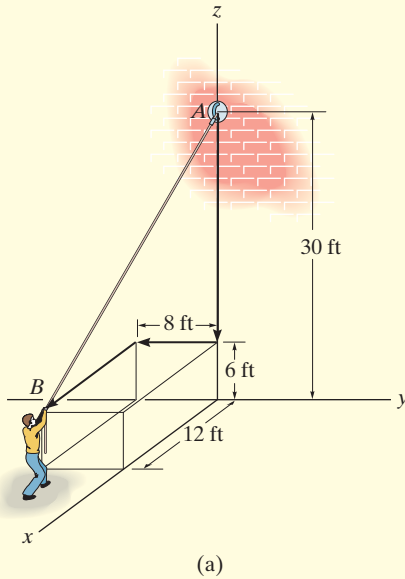
The force \mathbf{F} acting along the chain can be represented as a Cartesian vector by establishing x, y, z axes and first forming a position vector \mathbf{r} along the length of the chain. Then the corresponding unit vector $\mathbf{u} = \mathbf{r}/r$ that defines the direction of both the chain and the force can be determined. Finally, the magnitude of the force is combined with its direction, $\mathbf{F} = F\mathbf{u}$.

Important Points

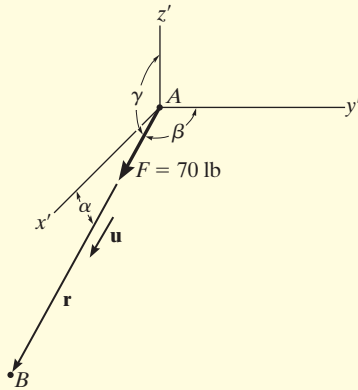
- A position vector locates one point in space relative to another point.
- The easiest way to formulate the components of a position vector is to determine the distance and direction that must be traveled along the x, y, z directions—going from the tail to the head of the vector.
- A force \mathbf{F} acting in the direction of a position vector \mathbf{r} can be represented in Cartesian form if the unit vector \mathbf{u} of the position vector is determined and it is multiplied by the magnitude of the force, i.e., $\mathbf{F} = F\mathbf{u} = F(\mathbf{r}/r)$.

EXAMPLE 2.13

2



(a)



(b)

Fig. 2-39

The man shown in Fig. 2-39a pulls on the cord with a force of 70 lb. Represent this force acting on the support A as a Cartesian vector and determine its direction.

SOLUTION

Force \mathbf{F} is shown in Fig. 2-39b. The *direction* of this vector, \mathbf{u} , is determined from the position vector \mathbf{r} , which extends from A to B. Rather than using the coordinates of the end points of the cord, \mathbf{r} can be determined *directly* by noting in Fig. 2-39a that one must travel from A $\{-24\mathbf{k}\}$ ft, then $\{-8\mathbf{j}\}$ ft, and finally $\{12\mathbf{i}\}$ ft to get to B. Thus,

$$\mathbf{r} = \{12\mathbf{i} - 8\mathbf{j} - 24\mathbf{k}\} \text{ ft}$$

The magnitude of \mathbf{r} , which represents the *length* of cord AB, is

$$r = \sqrt{(12 \text{ ft})^2 + (-8 \text{ ft})^2 + (-24 \text{ ft})^2} = 28 \text{ ft}$$

Forming the unit vector that defines the direction and sense of both \mathbf{r} and \mathbf{F} , we have

$$\mathbf{u} = \frac{\mathbf{r}}{r} = \frac{12}{28}\mathbf{i} - \frac{8}{28}\mathbf{j} - \frac{24}{28}\mathbf{k}$$

Since \mathbf{F} , has a *magnitude* of 70 lb and a *direction* specified by \mathbf{u} , then

$$\mathbf{F} = F\mathbf{u} = 70 \text{ lb} \left(\frac{12}{28}\mathbf{i} - \frac{8}{28}\mathbf{j} - \frac{24}{28}\mathbf{k} \right)$$

$$= \{30\mathbf{i} - 20\mathbf{j} - 60\mathbf{k}\} \text{ lb} \quad \text{Ans.}$$

The coordinate direction angles are measured between \mathbf{r} (or \mathbf{F}) and the *positive axes* of a localized coordinate system with origin placed at A, Fig. 2-39b. From the components of the unit vector:

$$\alpha = \cos^{-1}\left(\frac{12}{28}\right) = 64.6^\circ \quad \text{Ans.}$$

$$\beta = \cos^{-1}\left(\frac{-8}{28}\right) = 107^\circ \quad \text{Ans.}$$

$$\gamma = \cos^{-1}\left(\frac{-24}{28}\right) = 149^\circ \quad \text{Ans.}$$

NOTE: These results make sense when compared with the angles identified in Fig. 2-39b.

EXAMPLE 2.14

The force in Fig. 2–40a acts on the hook. Express it as a Cartesian vector.

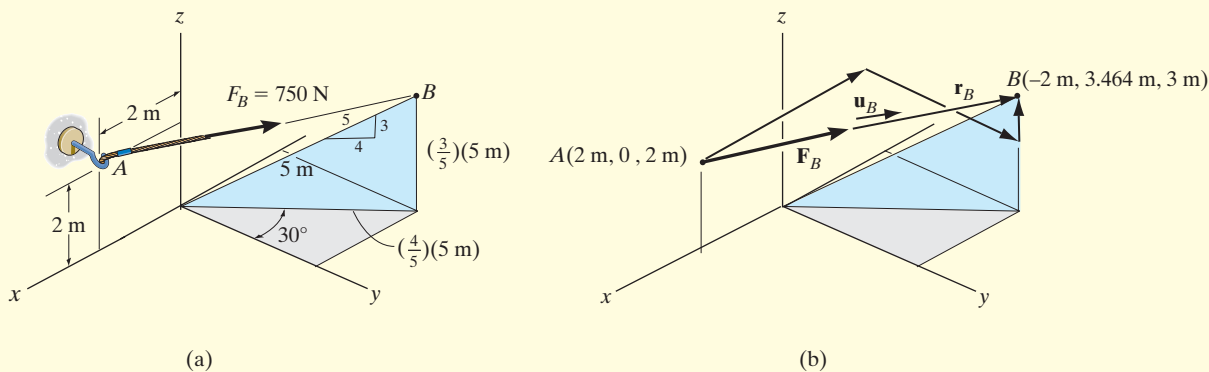


Fig. 2–40

SOLUTION

As shown in Fig. 2–40b, the coordinates for points A and B are

$$A(2 \text{ m}, 0, 2 \text{ m})$$

and

$$B\left[-\left(\frac{4}{5}\right)5 \sin 30^\circ \text{ m}, \left(\frac{4}{5}\right)5 \cos 30^\circ \text{ m}, \left(\frac{3}{5}\right)5 \text{ m}\right]$$

or

$$B(-2 \text{ m}, 3.464 \text{ m}, 3 \text{ m})$$

Therefore, to go from A to B , one must travel $\{4\mathbf{i}\}$ m, then $\{3.464 \mathbf{j}\}$ m, and finally $\{1 \mathbf{k}\}$ m. Thus,

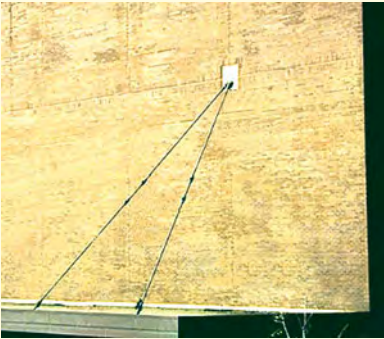
$$\begin{aligned} \mathbf{u}_B &= \left(\frac{\mathbf{r}_B}{r_B}\right) = \frac{\{-4\mathbf{i} + 3.464\mathbf{j} + 1\mathbf{k}\} \text{ m}}{\sqrt{(-4 \text{ m})^2 + (3.464 \text{ m})^2 + (1 \text{ m})^2}} \\ &= -0.7428\mathbf{i} + 0.6433\mathbf{j} + 0.1857\mathbf{k} \end{aligned}$$

Force \mathbf{F}_B expressed as a Cartesian vector becomes

$$\begin{aligned} \mathbf{F}_B &= F_B \mathbf{u}_B = (750 \text{ N})(-0.7428\mathbf{i} + 0.6433\mathbf{j} + 0.1857\mathbf{k}) \\ &= \{-557\mathbf{i} + 482\mathbf{j} + 139\mathbf{k}\} \text{ N} \end{aligned}$$

Ans.

EXAMPLE 2.15



The roof is supported by cables as shown in the photo. If the cables exert forces $F_{AB} = 100 \text{ N}$ and $F_{AC} = 120 \text{ N}$ on the wall hook at A as shown in Fig. 2–40a, determine the resultant force acting at A . Express the result as a Cartesian vector.

SOLUTION

The resultant force \mathbf{F}_R is shown graphically in Fig. 2–41b. We can express this force as a Cartesian vector by first formulating \mathbf{F}_{AB} and \mathbf{F}_{AC} as Cartesian vectors and then adding their components. The directions of \mathbf{F}_{AB} and \mathbf{F}_{AC} are specified by forming unit vectors \mathbf{u}_{AB} and \mathbf{u}_{AC} along the cables. These unit vectors are obtained from the associated position vectors \mathbf{r}_{AB} and \mathbf{r}_{AC} . With reference to Fig. 2–41a, to go from A to B , we must travel $\{-4\mathbf{k}\}$ m and, then $\{-4\mathbf{i}\}$ m. Thus,

$$\mathbf{r}_{AB} = \{4\mathbf{i} - 4\mathbf{k}\} \text{ m}$$

$$r_{AB} = \sqrt{(4 \text{ m})^2 + (-4 \text{ m})^2} = 5.66 \text{ m}$$

$$\mathbf{F}_{AB} = F_{AB} \left(\frac{\mathbf{r}_{AB}}{r_{AB}} \right) = (100 \text{ N}) \left(\frac{4}{5.66} \mathbf{i} - \frac{4}{5.66} \mathbf{k} \right)$$

$$\mathbf{F}_{AB} = \{70.7\mathbf{i} - 70.7\mathbf{k}\} \text{ N}$$

To go from A to C , we must travel $\{-4\mathbf{k}\}$ m, then $\{2\mathbf{j}\}$ m, and finally $\{4\mathbf{j}\}$. Thus,

$$\mathbf{r}_{AC} = \{4\mathbf{i} + 2\mathbf{j} - 4\mathbf{k}\} \text{ m}$$

$$r_{AC} = \sqrt{(4 \text{ m})^2 + (2 \text{ m})^2 + (-4 \text{ m})^2} = 6 \text{ m}$$

$$\mathbf{F}_{AC} = F_{AC} \left(\frac{\mathbf{r}_{AC}}{r_{AC}} \right) = (120 \text{ N}) \left(\frac{4}{6} \mathbf{i} + \frac{2}{6} \mathbf{j} - \frac{4}{6} \mathbf{k} \right)$$

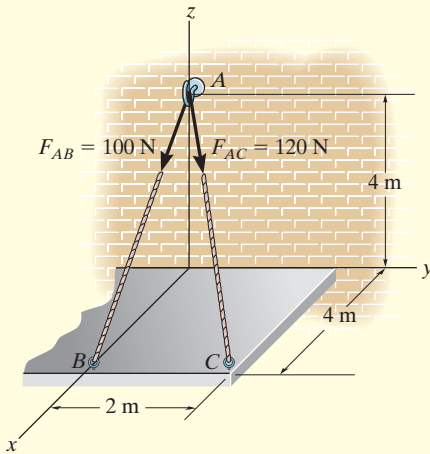
$$= \{80\mathbf{i} + 40\mathbf{j} - 80\mathbf{k}\} \text{ N}$$

The resultant force is therefore

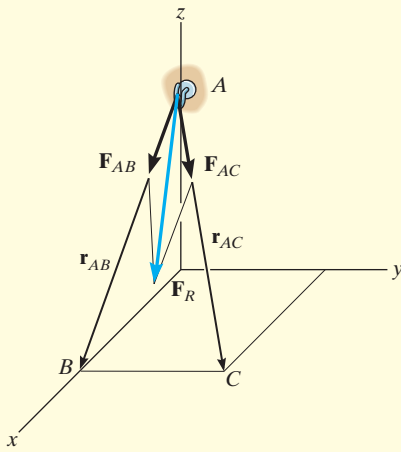
$$\mathbf{F}_R = \mathbf{F}_{AB} + \mathbf{F}_{AC} = \{70.7\mathbf{i} - 70.7\mathbf{k}\} \text{ N} + \{80\mathbf{i} + 40\mathbf{j} - 80\mathbf{k}\} \text{ N}$$

$$= \{151\mathbf{i} + 40\mathbf{j} - 151\mathbf{k}\} \text{ N}$$

Ans.



(a)

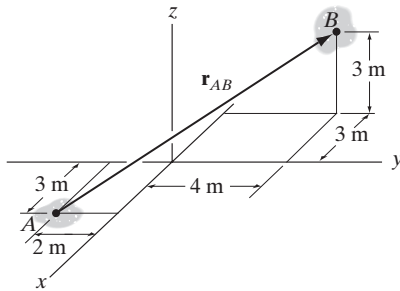


(b)

Fig. 2–41

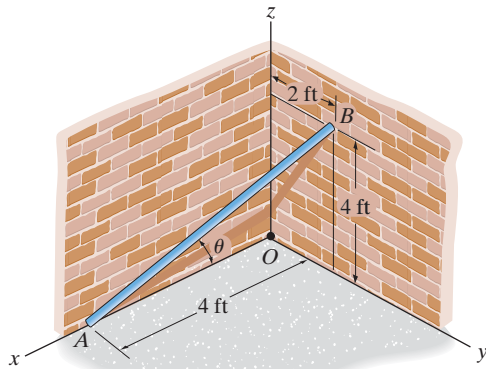
FUNDAMENTAL PROBLEMS

F2-19. Express the position vector \mathbf{r}_{AB} in Cartesian vector form, then determine its magnitude and coordinate direction angles.



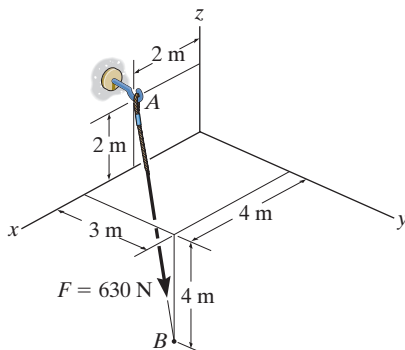
F2-19

F2-20. Determine the length of the rod and the position vector directed from A to B . What is the angle θ ?



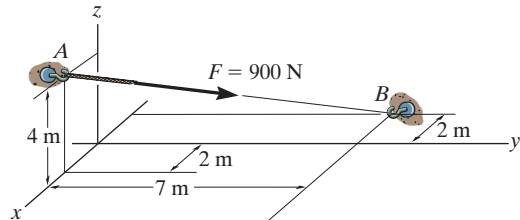
F2-20

F2-21. Express the force as a Cartesian vector.



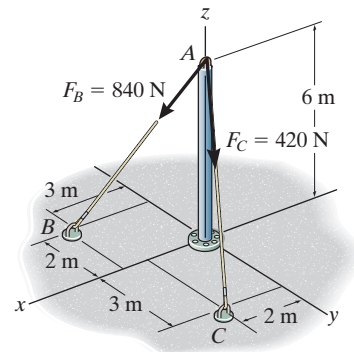
F2-21

F2-22. Express the force as a Cartesian vector.



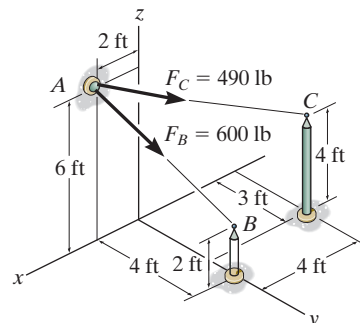
F2-22

F2-23. Determine the magnitude of the resultant force at A .



F2-23

F2-24. Determine the resultant force at A .

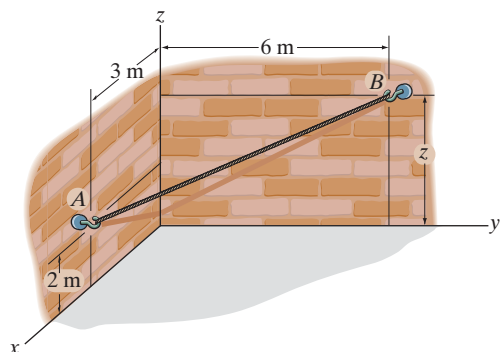


F2-24

PROBLEMS

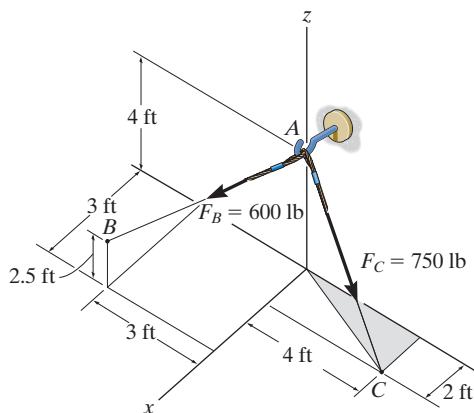
2-86. Determine the position vector \mathbf{r} directed from point A to point B and the length of cord AB . Take $z = 4$ m.

2-87. If the cord AB is 7.5 m long, determine the coordinate position $+z$ of point B



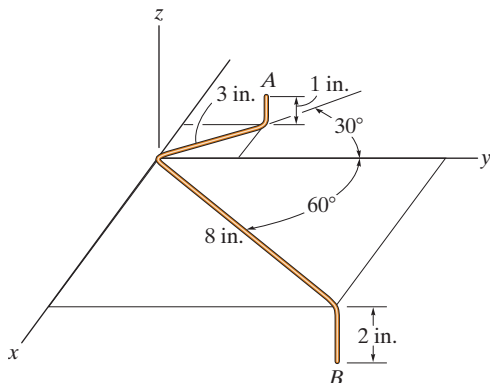
Probs. 2-86/87

2-89. Determine the magnitude and coordinate direction angles of the resultant force acting at A .



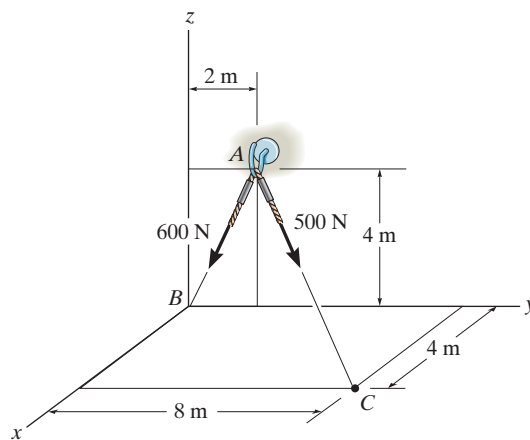
Prob. 2-89

***2-88.** Determine the distance between the end points A and B on the wire by first formulating a position vector from A to B and then determining its magnitude.



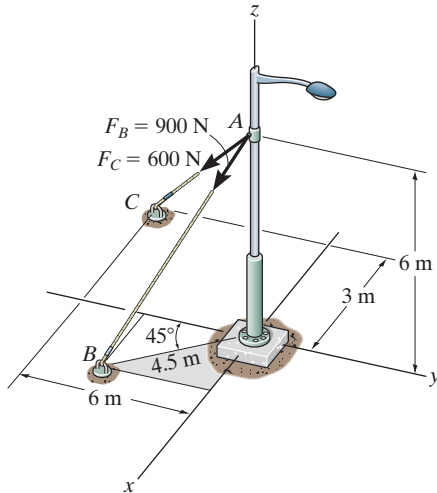
Prob. 2-88

2-90. Determine the magnitude and coordinate direction angles of the resultant force.



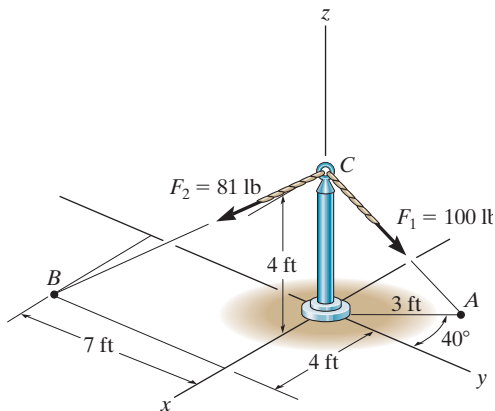
Prob. 2-90

2-91. Determine the magnitude and coordinate direction angles of the resultant force acting at A .



Prob. 2-91

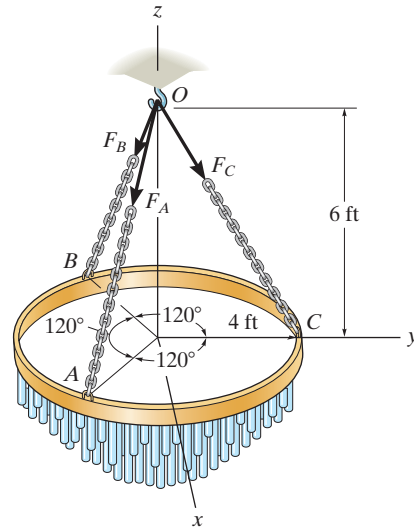
***2-92.** Determine the magnitude and coordinate direction angles of the resultant force.



Prob. 2-92

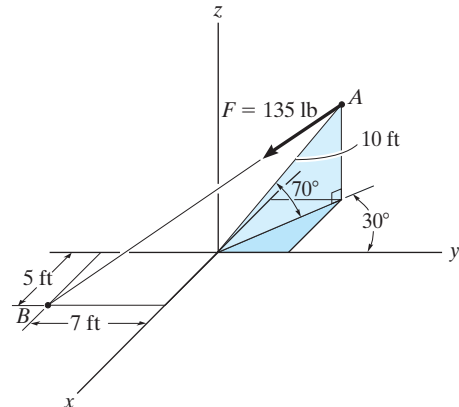
•2-93. The chandelier is supported by three chains which are concurrent at point O . If the force in each chain has a magnitude of 60 lb, express each force as a Cartesian vector and determine the magnitude and coordinate direction angles of the resultant force.

2-94. The chandelier is supported by three chains which are concurrent at point O . If the resultant force at O has a magnitude of 130 lb and is directed along the negative z axis, determine the force in each chain.



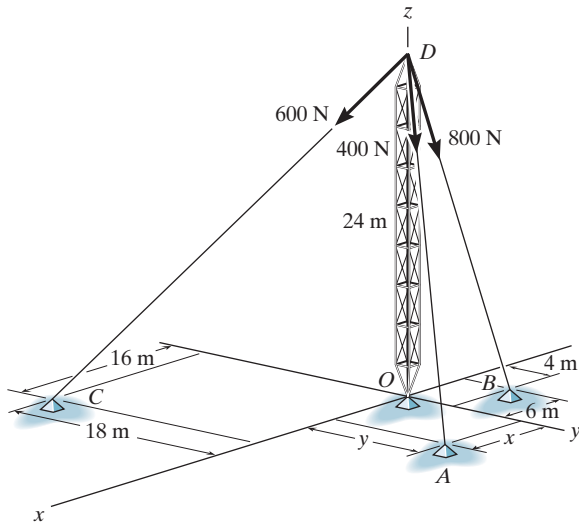
Probs. 2-93/94

2-95. Express force \mathbf{F} as a Cartesian vector; then determine its coordinate direction angles.



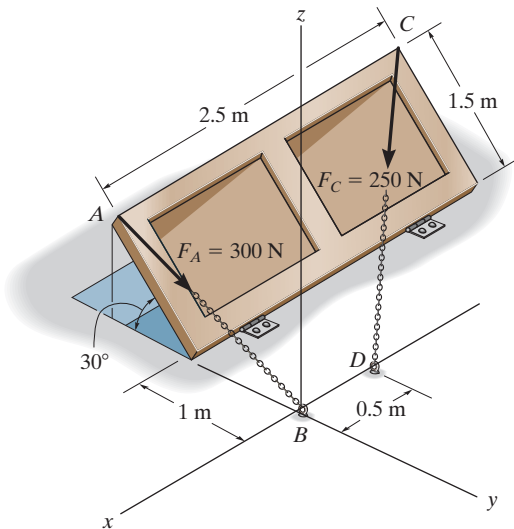
Prob. 2-95

*2-96. The tower is held in place by three cables. If the force of each cable acting on the tower is shown, determine the magnitude and coordinate direction angles α , β , γ of the resultant force. Take $x = 20$ m, $y = 15$ m.



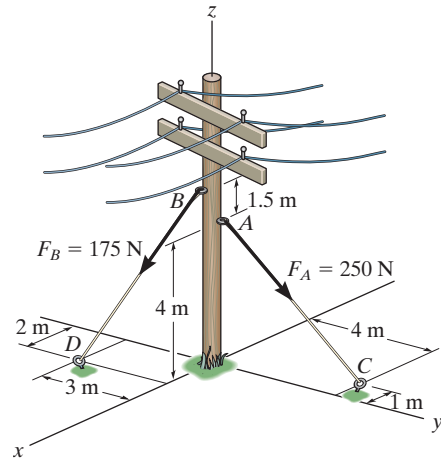
Prob. 2-96

•2-97. The door is held opened by means of two chains. If the tension in AB and CD is $F_A = 300$ N and $F_C = 250$ N, respectively, express each of these forces in Cartesian vector form.



Prob. 2-97

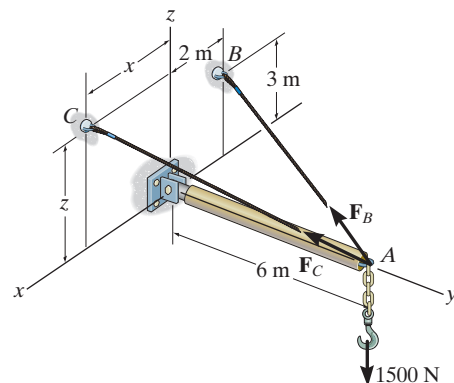
2-98. The guy wires are used to support the telephone pole. Represent the force in each wire in Cartesian vector form. Neglect the diameter of the pole.



Prob. 2-98

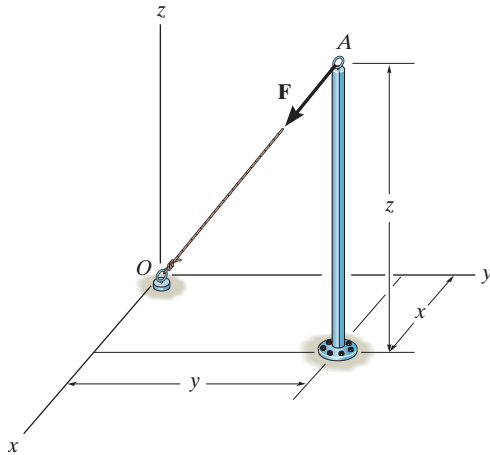
2-99. Two cables are used to secure the overhang boom in position and support the 1500-N load. If the resultant force is directed along the boom from point A towards O , determine the magnitudes of the resultant force and forces F_B and F_C . Set $x = 3$ m and $z = 2$ m.

*2-100. Two cables are used to secure the overhang boom in position and support the 1500-N load. If the resultant force is directed along the boom from point A towards O , determine the values of x and z for the coordinates of point C and the magnitude of the resultant force. Set $F_B = 1610$ N and $F_C = 2400$ N.



Probs. 2-99/100

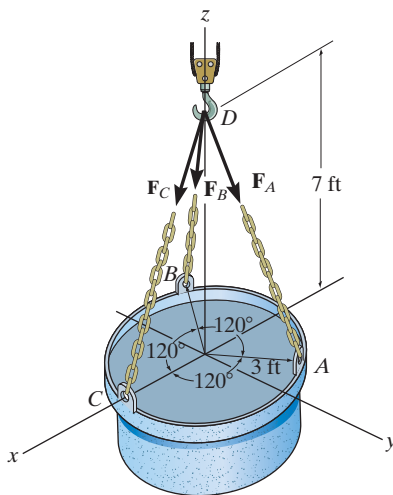
•2-101. The cable AO exerts a force on the top of the pole of $\mathbf{F} = \{-120\mathbf{i} - 90\mathbf{j} - 80\mathbf{k}\}$ lb. If the cable has a length of 34 ft, determine the height z of the pole and the location (x, y) of its base.



Prob. 2-101

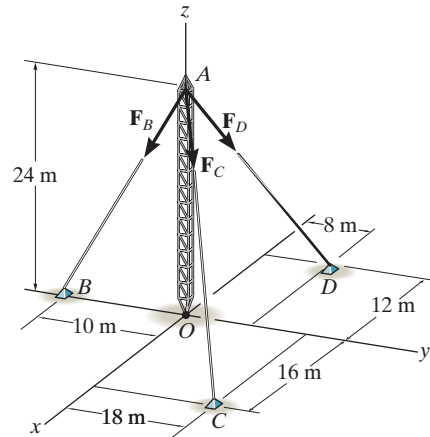
2-102. If the force in each chain has a magnitude of 450 lb, determine the magnitude and coordinate direction angles of the resultant force.

2-103. If the resultant of the three forces is $\mathbf{F}_R = \{-900\mathbf{k}\}$ lb, determine the magnitude of the force in each chain.



Probs. 2-102/103

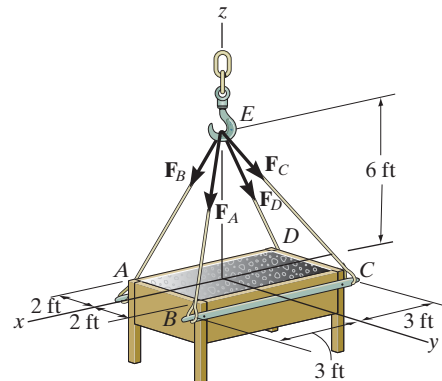
***2-104.** The antenna tower is supported by three cables. If the forces of these cables acting on the antenna are $F_B = 520$ N, $F_C = 680$ N, and $F_D = 560$ N, determine the magnitude and coordinate direction angles of the resultant force acting at A .



Prob. 2-104

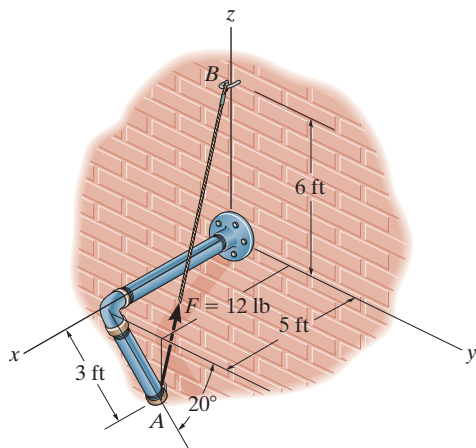
•2-105. If the force in each cable tied to the bin is 70 lb, determine the magnitude and coordinate direction angles of the resultant force.

2-106. If the resultant of the four forces is $\mathbf{F}_R = \{-360\mathbf{k}\}$ lb, determine the tension developed in each cable. Due to symmetry, the tension in the four cables is the same.



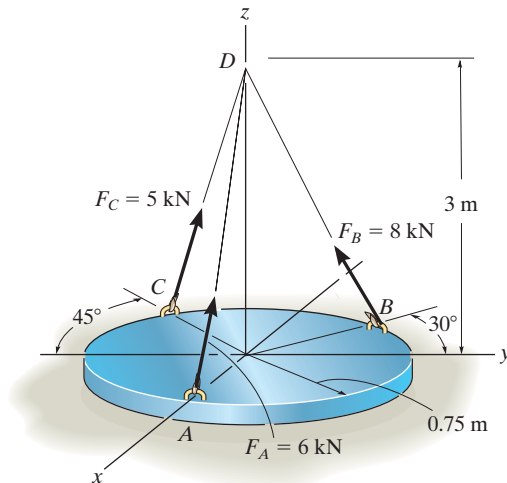
Probs. 2-105/106

2-107. The pipe is supported at its end by a cord AB . If the cord exerts a force of $F = 12$ lb on the pipe at A , express this force as a Cartesian vector.



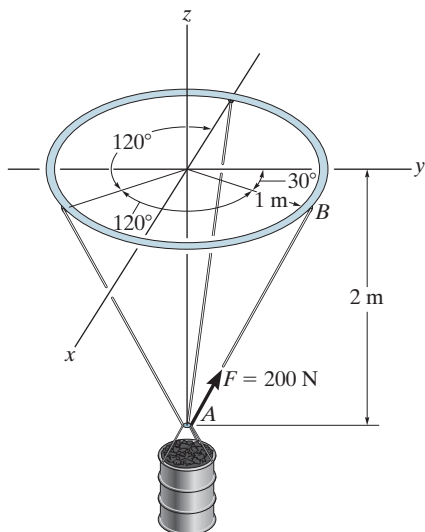
Prob. 2-107

•2-109. The cylindrical plate is subjected to the three cable forces which are concurrent at point D . Express each force which the cables exert on the plate as a Cartesian vector, and determine the magnitude and coordinate direction angles of the resultant force.



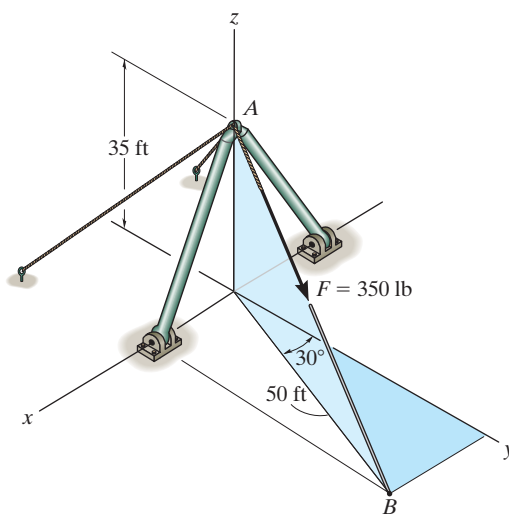
Prob. 2-109

***2-108.** The load at A creates a force of 200 N in wire AB . Express this force as a Cartesian vector, acting on A and directed towards B .



Prob. 2-108

2-110. The cable attached to the shear-leg derrick exerts a force on the derrick of $F = 350$ lb. Express this force as a Cartesian vector.



Prob. 2-110

2.9 Dot Product

Occasionally in statics one has to find the angle between two lines or the components of a force parallel and perpendicular to a line. In two dimensions, these problems can readily be solved by trigonometry since the geometry is easy to visualize. In three dimensions, however, this is often difficult, and consequently vector methods should be employed for the solution. The dot product, which defines a particular method for “multiplying” two vectors, will be used to solve the above-mentioned problems.

The *dot product* of vectors \mathbf{A} and \mathbf{B} , written $\mathbf{A} \cdot \mathbf{B}$, and read “ \mathbf{A} dot \mathbf{B} ” is defined as the product of the magnitudes of \mathbf{A} and \mathbf{B} and the cosine of the angle θ between their tails, Fig. 2–41. Expressed in equation form,

$$\mathbf{A} \cdot \mathbf{B} = AB \cos \theta \quad (2-12)$$

where $0^\circ \leq \theta \leq 180^\circ$. The dot product is often referred to as the *scalar product* of vectors since the result is a *scalar* and not a vector.

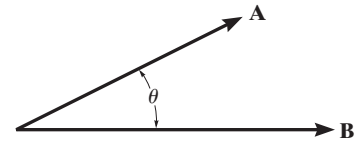


Fig. 2–41

Laws of Operation.

1. Commutative law: $\mathbf{A} \cdot \mathbf{B} = \mathbf{B} \cdot \mathbf{A}$
2. Multiplication by a scalar: $a(\mathbf{A} \cdot \mathbf{B}) = (a\mathbf{A}) \cdot \mathbf{B} = \mathbf{A} \cdot (a\mathbf{B})$
3. Distributive law: $\mathbf{A} \cdot (\mathbf{B} + \mathbf{D}) = (\mathbf{A} \cdot \mathbf{B}) + (\mathbf{A} \cdot \mathbf{D})$

It is easy to prove the first and second laws by using Eq. 2–12. The proof of the distributive law is left as an exercise (see Prob. 2–111).

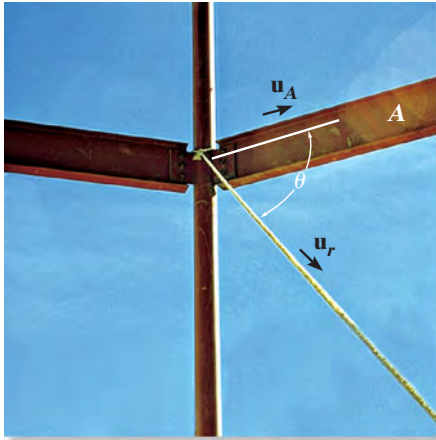
Cartesian Vector Formulation. Equation 2–12 must be used to find the dot product for any two Cartesian unit vectors. For example, $\mathbf{i} \cdot \mathbf{i} = (1)(1) \cos 0^\circ = 1$ and $\mathbf{i} \cdot \mathbf{j} = (1)(1) \cos 90^\circ = 0$. If we want to find the dot product of two general vectors \mathbf{A} and \mathbf{B} that are expressed in Cartesian vector form, then we have

$$\begin{aligned} \mathbf{A} \cdot \mathbf{B} &= (A_x \mathbf{i} + A_y \mathbf{j} + A_z \mathbf{k}) \cdot (B_x \mathbf{i} + B_y \mathbf{j} + B_z \mathbf{k}) \\ &= A_x B_x (\mathbf{i} \cdot \mathbf{i}) + A_x B_y (\mathbf{i} \cdot \mathbf{j}) + A_x B_z (\mathbf{i} \cdot \mathbf{k}) \\ &\quad + A_y B_x (\mathbf{j} \cdot \mathbf{i}) + A_y B_y (\mathbf{j} \cdot \mathbf{j}) + A_y B_z (\mathbf{j} \cdot \mathbf{k}) \\ &\quad + A_z B_x (\mathbf{k} \cdot \mathbf{i}) + A_z B_y (\mathbf{k} \cdot \mathbf{j}) + A_z B_z (\mathbf{k} \cdot \mathbf{k}) \end{aligned}$$

Carrying out the dot-product operations, the final result becomes

$$\mathbf{A} \cdot \mathbf{B} = A_x B_x + A_y B_y + A_z B_z \quad (2-13)$$

Thus, to determine the dot product of two Cartesian vectors, multiply their corresponding x , y , z components and sum these products algebraically. Note that the result will be either a positive or negative *scalar*.



The angle θ between the rope and the connecting beam can be determined by formulating unit vectors along the beam and rope and then using the dot product $\mathbf{u}_b \cdot \mathbf{u}_r = (1)(1) \cos \theta$.

Applications. The dot product has two important applications in mechanics.

- **The angle formed between two vectors or intersecting lines.** The angle θ between the tails of vectors \mathbf{A} and \mathbf{B} in Fig. 2-41 can be determined from Eq. 2-12 and written as

$$\theta = \cos^{-1} \left(\frac{\mathbf{A} \cdot \mathbf{B}}{AB} \right) \quad 0^\circ \leq \theta \leq 180^\circ$$

Here $\mathbf{A} \cdot \mathbf{B}$ is found from Eq. 2-13. In particular, notice that if $\mathbf{A} \cdot \mathbf{B} = 0$, $\theta = \cos^{-1} 0 = 90^\circ$ so that \mathbf{A} will be *perpendicular* to \mathbf{B} .

- **The components of a vector parallel and perpendicular to a line.** The component of vector \mathbf{A} parallel to or collinear with the line aa' in Fig. 2-43 is defined by A_a where $A_a = A \cos \theta$. This component is sometimes referred to as the *projection* of \mathbf{A} onto the line, since a *right angle* is formed in the construction. If the *direction* of the line is specified by the unit vector \mathbf{u}_a , then since $u_a = 1$, we can determine the magnitude of \mathbf{A}_a directly from the dot product (Eq. 2-12); i.e.,

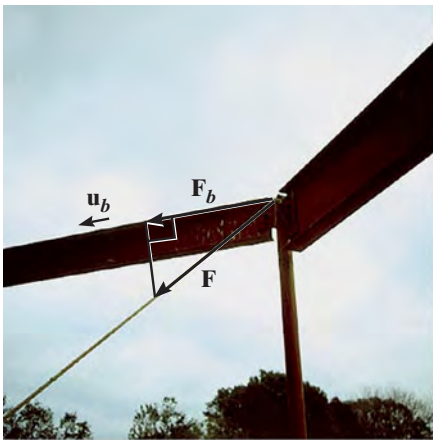
$$A_a = A \cos \theta = \mathbf{A} \cdot \mathbf{u}_a$$

Hence, the scalar projection of \mathbf{A} along a line is determined from the dot product of \mathbf{A} and the unit vector \mathbf{u}_a which defines the direction of the line. Notice that if this result is positive, then \mathbf{A}_a has a directional sense which is the same as \mathbf{u}_a , whereas if A_a is a negative scalar, then \mathbf{A}_a has the opposite sense of direction to \mathbf{u}_a .

The component \mathbf{A}_a represented as a *vector* is therefore

$$\mathbf{A}_a = A_a \mathbf{u}_a$$

The component of \mathbf{A} that is perpendicular to line aa can also be obtained, Fig. 2-43. Since $\mathbf{A} = \mathbf{A}_a + \mathbf{A}_\perp$, then $\mathbf{A}_\perp = \mathbf{A} - \mathbf{A}_a$. There are two possible ways of obtaining A_\perp . One way would be to determine θ from the dot product, $\theta = \cos^{-1}(\mathbf{A} \cdot \mathbf{u}_a / A)$, then $A_\perp = A \sin \theta$. Alternatively, if A_a is known, then by Pythagorean's theorem we can also write $A_\perp = \sqrt{A^2 - A_a^2}$.



The projection of the cable force \mathbf{F} along the beam can be determined by first finding the unit vector \mathbf{u}_b that defines this direction. Then apply the dot product, $F_b = \mathbf{F} \cdot \mathbf{u}_b$.

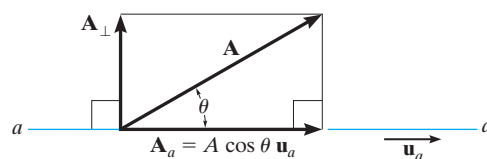


Fig. 2-43

Important Points

2

- The dot product is used to determine the angle between two vectors or the projection of a vector in a specified direction.
- If vectors \mathbf{A} and \mathbf{B} are expressed in Cartesian vector form, the dot product is determined by multiplying the respective x , y , z scalar components and algebraically adding the results, i.e., $\mathbf{A} \cdot \mathbf{B} = A_x B_x + A_y B_y + A_z B_z$.
- From the definition of the dot product, the angle formed between the tails of vectors \mathbf{A} and \mathbf{B} is $\theta = \cos^{-1}(\mathbf{A} \cdot \mathbf{B} / AB)$.
- The magnitude of the projection of vector \mathbf{A} along a line aa whose direction is specified by \mathbf{u}_a is determined from the dot product $A_a = \mathbf{A} \cdot \mathbf{u}_a$.

EXAMPLE 2.16

Determine the magnitudes of the projection of the force \mathbf{F} in Fig. 2–44 onto the u and v axes.

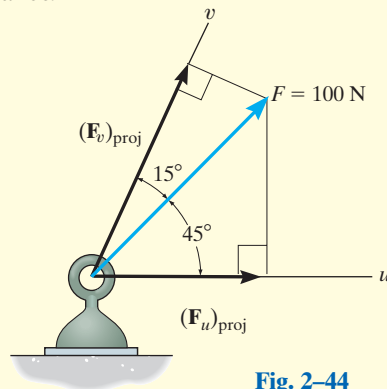


Fig. 2–44

SOLUTION

Projections of Force. The graphical representation of the *projections* is shown in Fig. 2–44. From this figure, the magnitudes of the projections of \mathbf{F} onto the u and v axes can be obtained by trigonometry:

$$(F_u)_{\text{proj}} = (100\text{ N})\cos 45^\circ = 70.7\text{ N} \quad \text{Ans.}$$

$$(F_v)_{\text{proj}} = (100\text{ N})\cos 15^\circ = 96.6\text{ N} \quad \text{Ans.}$$

NOTE: These projections are not equal to the magnitudes of the components of force \mathbf{F} along the u and v axes found from the parallelogram law. They will only be equal if the u and v axes are *perpendicular* to one another.

EXAMPLE 2.17

The frame shown in Fig. 2–45a is subjected to a horizontal force $\mathbf{F} = \{300\mathbf{j}\}$. Determine the magnitude of the components of this force parallel and perpendicular to member AB .

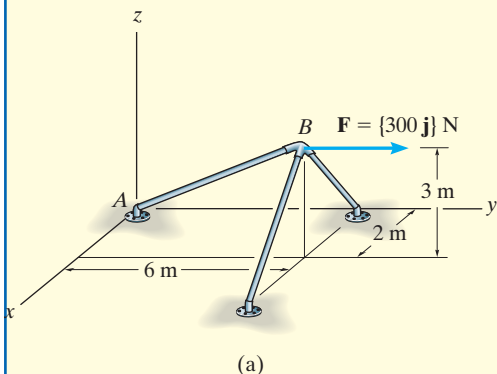
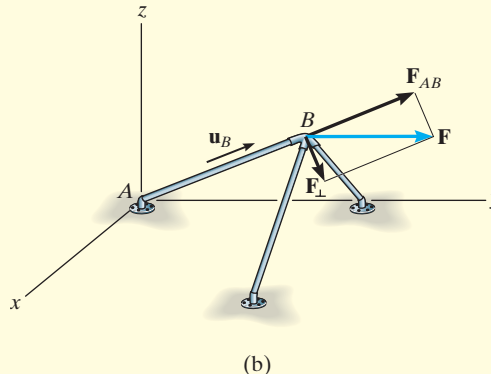


Fig 2–45



SOLUTION

The magnitude of the component of \mathbf{F} along AB is equal to the dot product of \mathbf{F} and the unit vector \mathbf{u}_B , which defines the direction of AB , Fig. 2–45b. Since

$$\mathbf{u}_B = \frac{\mathbf{r}_B}{r_B} = \frac{2\mathbf{i} + 6\mathbf{j} + 3\mathbf{k}}{\sqrt{(2)^2 + (6)^2 + (3)^2}} = 0.286\mathbf{i} + 0.857\mathbf{j} + 0.429\mathbf{k}$$

then

$$\begin{aligned} F_{AB} &= F \cos \theta = \mathbf{F} \cdot \mathbf{u}_B = (300\mathbf{j}) \cdot (0.286\mathbf{i} + 0.857\mathbf{j} + 0.429\mathbf{k}) \\ &= (0)(0.286) + (300)(0.857) + (0)(0.429) \\ &= 257.1 \text{ N} \end{aligned}$$

Ans.

Since the result is a positive scalar, \mathbf{F}_{AB} has the same sense of direction as \mathbf{u}_B , Fig. 2–45b.

Expressing \mathbf{F}_{AB} in Cartesian vector form, we have

$$\begin{aligned} \mathbf{F}_{AB} &= F_{AB}\mathbf{u}_B = (257.1 \text{ N})(0.286\mathbf{i} + 0.857\mathbf{j} + 0.429\mathbf{k}) \\ &= \{73.5\mathbf{i} + 220\mathbf{j} + 110\mathbf{k}\} \text{ N} \end{aligned}$$

Ans.

The perpendicular component, Fig. 2–45b, is therefore

$$\begin{aligned} \mathbf{F}_\perp &= \mathbf{F} - \mathbf{F}_{AB} = 300\mathbf{j} - (73.5\mathbf{i} + 220\mathbf{j} + 110\mathbf{k}) \\ &= \{-73.5\mathbf{i} + 80\mathbf{j} - 110\mathbf{k}\} \text{ N} \end{aligned}$$

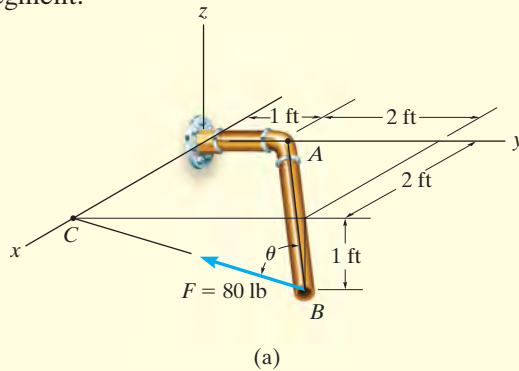
Its magnitude can be determined either from this vector or by using the Pythagorean theorem, Fig. 2–45b:

$$\begin{aligned} F_\perp &= \sqrt{F^2 - F_{AB}^2} = \sqrt{(300 \text{ N})^2 - (257.1 \text{ N})^2} \\ &= 155 \text{ N} \end{aligned}$$

Ans.

EXAMPLE 2.18

The pipe in Fig. 2–46a is subjected to the force of $F = 80$ lb. Determine the angle θ between \mathbf{F} and the pipe segment BA and the projection of \mathbf{F} along this segment.



SOLUTION

Angle θ . First we will establish position vectors from B to A and B to C ; Fig. 2–46b. Then we will determine the angle θ between the tails of these two vectors.

$$\mathbf{r}_{BA} = \{-2\mathbf{i} - 2\mathbf{j} + 1\mathbf{k}\} \text{ ft}, \quad r_{BA} = 3 \text{ ft}$$

$$\mathbf{r}_{BC} = \{-3\mathbf{j} + 1\mathbf{k}\} \text{ ft}, \quad r_{BC} = \sqrt{10} \text{ ft}$$

Thus,

$$\cos \theta = \frac{\mathbf{r}_{BA} \cdot \mathbf{r}_{BC}}{r_{BA} r_{BC}} = \frac{(-2)(0) + (-2)(-3) + (1)(1)}{3\sqrt{10}} = 0.7379$$

$$\theta = 42.5^\circ$$

Ans.

Components of \mathbf{F} . The component of \mathbf{F} along BA is shown in Fig. 2–46b. We must first formulate the unit vector along BA and force \mathbf{F} as Cartesian vectors.

$$\mathbf{u}_{BA} = \frac{\mathbf{r}_{BA}}{r_{BA}} = \frac{(-2\mathbf{i} - 2\mathbf{j} + 1\mathbf{k})}{3} = -\frac{2}{3}\mathbf{i} - \frac{2}{3}\mathbf{j} + \frac{1}{3}\mathbf{k}$$

$$\mathbf{F} = 80 \text{ lb} \left(\frac{\mathbf{r}_{BC}}{r_{BC}} \right) = 80 \left(\frac{-3\mathbf{j} + 1\mathbf{k}}{\sqrt{10}} \right) = -75.89\mathbf{j} + 25.30\mathbf{k}$$

Thus,

$$\begin{aligned} F_{BA} &= \mathbf{F} \cdot \mathbf{u}_{BA} = (-75.89\mathbf{j} + 25.30\mathbf{k}) \cdot \left(-\frac{2}{3}\mathbf{i} - \frac{2}{3}\mathbf{j} + \frac{1}{3}\mathbf{k} \right) \\ &= 0 \left(-\frac{2}{3} \right) + (-75.89) \left(-\frac{2}{3} \right) + (25.30) \left(\frac{1}{3} \right) \\ &= 59.0 \text{ lb} \end{aligned}$$

Ans.

NOTE: Since θ is known, then also, $F_{BA} = F \cos \theta = 80 \text{ lb} \cos 42.5^\circ = 59.0 \text{ lb}$.

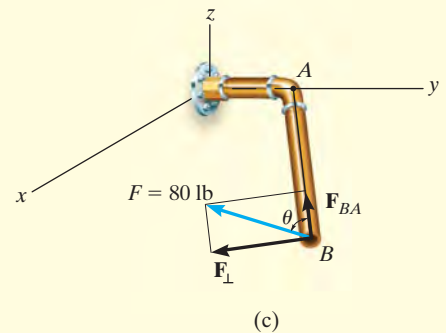
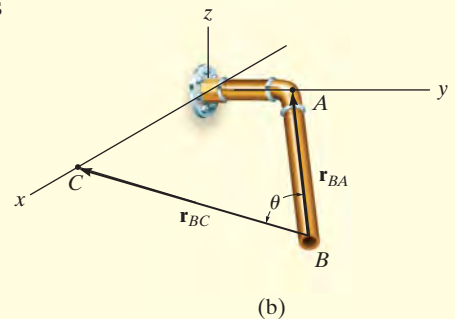
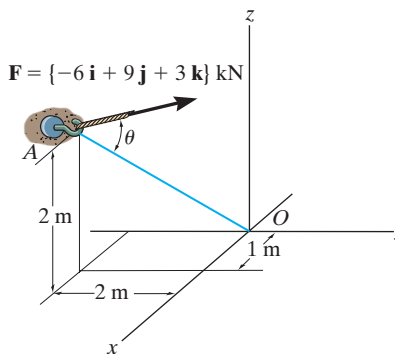


Fig. 2–46

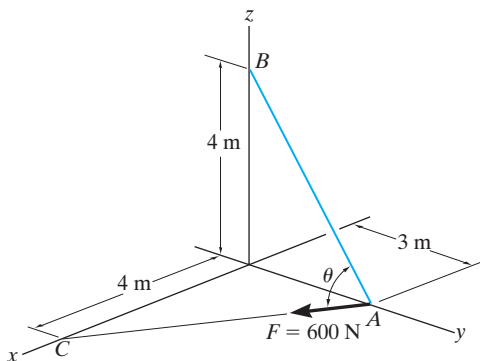
FUNDAMENTAL PROBLEMS

F2-25. Determine the angle θ between the force and the line AO .



F2-25

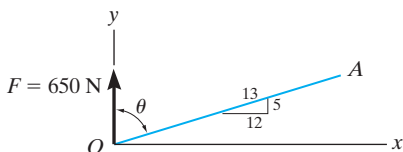
F2-26. Determine the angle θ between the force and the line AB .



F2-26

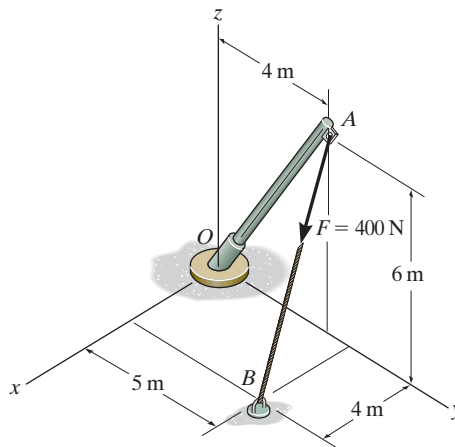
F2-27. Determine the angle θ between the force and the line OA .

F2-28. Determine the component of projection of the force along the line OA .



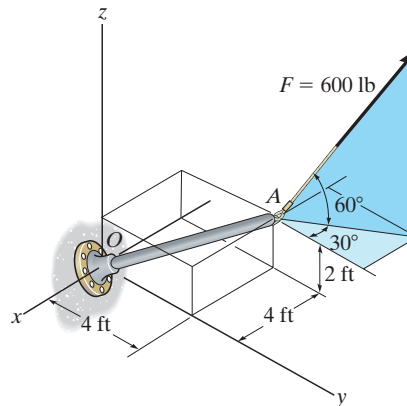
F2-27/28

F2-29. Find the magnitude of the projected component of the force along the pipe.



F2-29

F2-30. Determine the components of the force acting parallel and perpendicular to the axis of the pole.

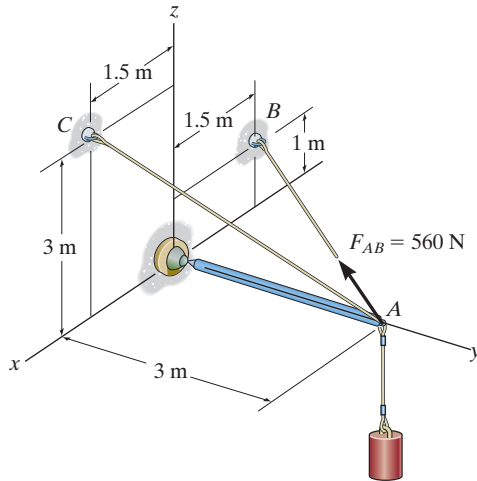


F2-30

PROBLEMS

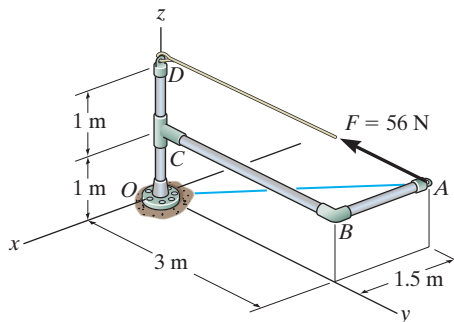
2-111. Given the three vectors A , B , and D , show that $A \cdot (B + D) = (A \cdot B) + (A \cdot D)$.

***2-112.** Determine the projected component of the force $F_{AB} = 560$ N acting along cable AC . Express the result as a Cartesian vector.



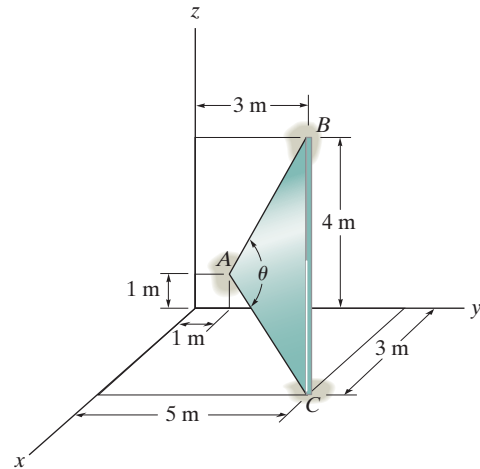
Prob. 2-112

•2-113. Determine the magnitudes of the components of force $F = 56$ N acting along and perpendicular to line AO .



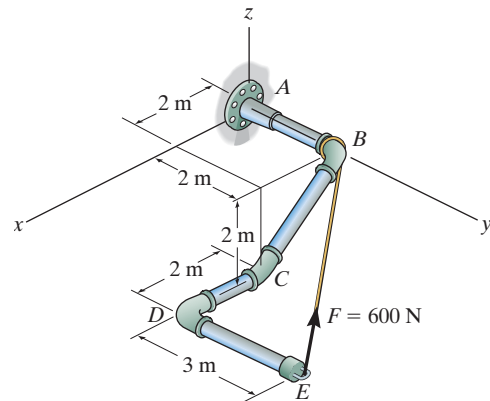
Prob. 2-113

2-114. Determine the length of side BC of the triangular plate. Solve the problem by finding the magnitude of r_{BC} ; then check the result by first finding θ , r_{AB} , and r_{AC} and then using the cosine law.



Prob. 2-114

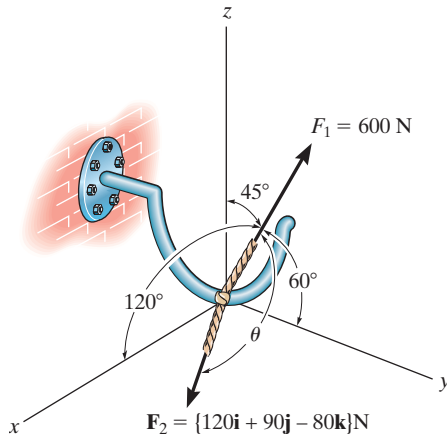
2-115. Determine the magnitudes of the components of force $F = 600$ N acting along and perpendicular to segment DE of the pipe assembly.



Prob. 2-115

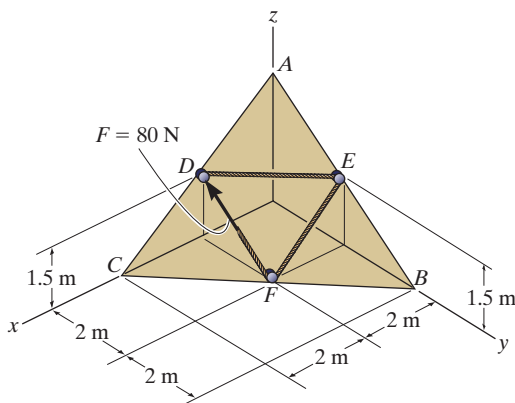
***2-116.** Two forces act on the hook. Determine the angle θ between them. Also, what are the projections of \mathbf{F}_1 and \mathbf{F}_2 along the y axis?

•2-117. Two forces act on the hook. Determine the magnitude of the projection of \mathbf{F}_2 along \mathbf{F}_1 .



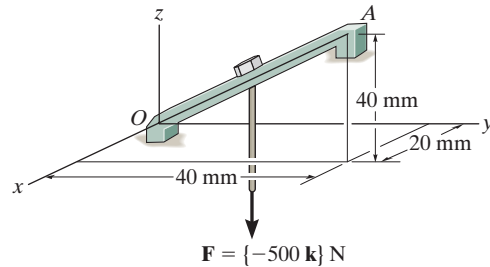
Probs. 2-116/117

2-118. Determine the projection of force $F = 80$ N along line BC . Express the result as a Cartesian vector.



Prob. 2-118

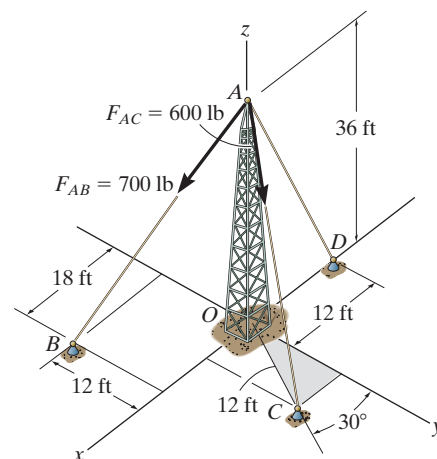
2-119. The clamp is used on a jig. If the vertical force acting on the bolt is $\mathbf{F} = \{-500\mathbf{k}\}$ N, determine the magnitudes of its components \mathbf{F}_1 and \mathbf{F}_2 which act along the OA axis and perpendicular to it.



Prob. 2-119

***2-120.** Determine the magnitude of the projected component of force \mathbf{F}_{AB} acting along the z axis.

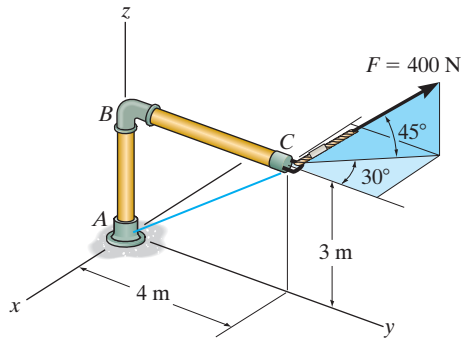
•2-121. Determine the magnitude of the projected component of force \mathbf{F}_{AC} acting along the z axis.



Probs. 2-120/121

2-122. Determine the projection of force $F = 400$ N acting along line AC of the pipe assembly. Express the result as a Cartesian vector.

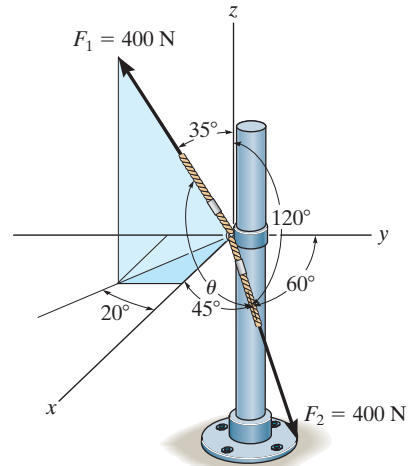
2-123. Determine the magnitudes of the components of force $F = 400$ N acting parallel and perpendicular to segment BC of the pipe assembly.



Probs. 2-122/123

2-126. The cables each exert a force of 400 N on the post. Determine the magnitude of the projected component of \mathbf{F}_1 along the line of action of \mathbf{F}_2 .

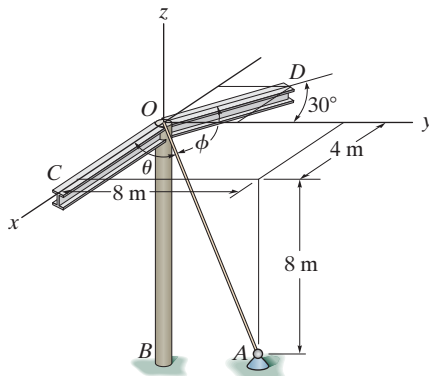
2-127. Determine the angle θ between the two cables attached to the post.



Probs. 2-126/127

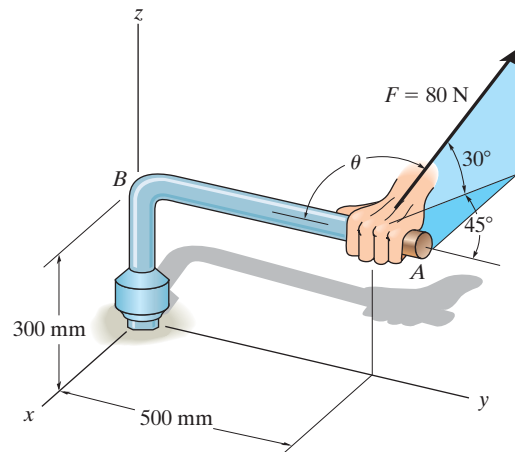
***2-124.** Cable OA is used to support column OB . Determine the angle θ it makes with beam OC .

•2-125. Cable OA is used to support column OB . Determine the angle ϕ it makes with beam OD .



Probs. 2-124/125

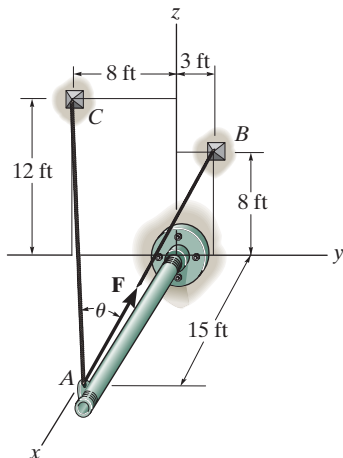
***2-128.** A force of $F = 80$ N is applied to the handle of the wrench. Determine the angle θ between the tail of the force and the handle AB .



Prob. 2-128

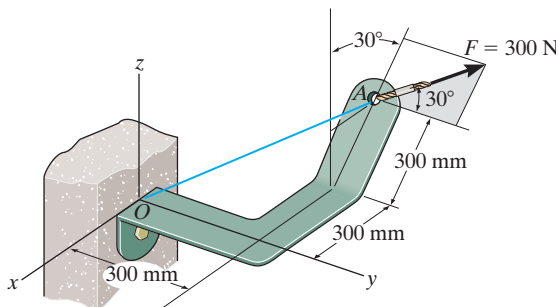
•2-129. Determine the angle θ between cables AB and AC .

2-130. If \mathbf{F} has a magnitude of 55 lb, determine the magnitude of its projected components acting along the x axis and along cable AC .



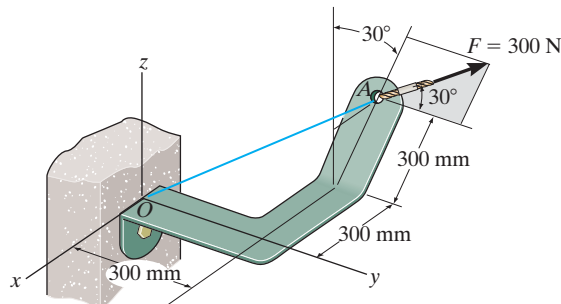
Probs. 2-129/130

2-131. Determine the magnitudes of the projected components of the force $F = 300$ N acting along the x and y axes.



Prob. 2-131

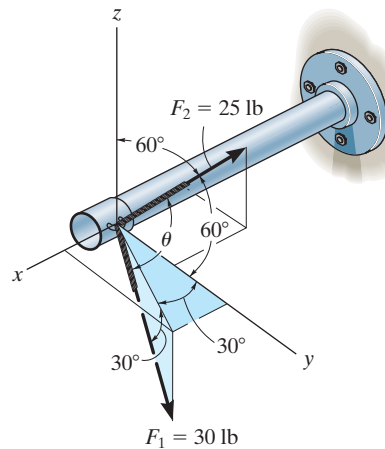
*2-132. Determine the magnitude of the projected component of the force $F = 300$ N acting along line OA .



Prob. 2-132

•2-133. Two cables exert forces on the pipe. Determine the magnitude of the projected component of \mathbf{F}_1 along the line of action of \mathbf{F}_2 .

2-134. Determine the angle θ between the two cables attached to the pipe.

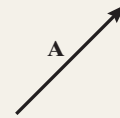


Probs. 2-133/134

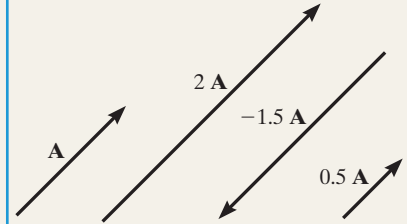
CHAPTER REVIEW

A scalar is a positive or negative number; e.g., mass and temperature.

A vector has a magnitude and direction, where the arrowhead represents the sense of the vector.



Multiplication or division of a vector by a scalar will change only the magnitude of the vector. If the scalar is negative, the sense of the vector will change so that it acts in the opposite sense.



If vectors are collinear, the resultant is simply the algebraic or scalar addition.

$$R = A + B$$



Parallelogram Law

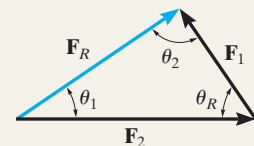
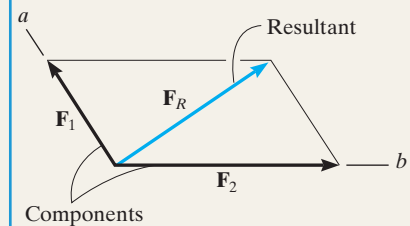
Two forces add according to the parallelogram law. The *components* form the sides of the parallelogram and the *resultant* is the diagonal.

To find the components of a force along any two axes, extend lines from the head of the force, parallel to the axes, to form the components.

To obtain the components or the resultant, show how the forces add by tip-to-tail using the triangle rule, and then use the law of cosines and the law of sines to calculate their values.

$$F_R = \sqrt{F_1^2 + F_2^2 - 2 F_1 F_2 \cos \theta_R}$$

$$\frac{F_1}{\sin \theta_1} = \frac{F_2}{\sin \theta_2} = \frac{F_R}{\sin \theta_R}$$



Rectangular Components: Two Dimensions

Vectors \mathbf{F}_x and \mathbf{F}_y are rectangular components of \mathbf{F} .

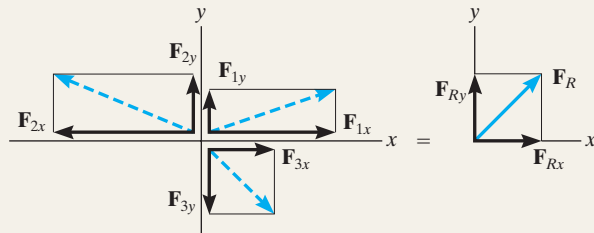
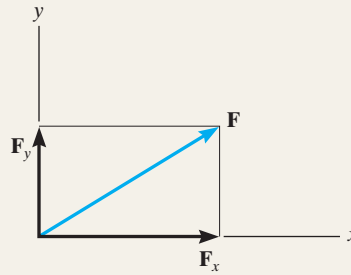
The resultant force is determined from the algebraic sum of its components.

$$F_{Rx} = \sum F_x$$

$$F_{Ry} = \sum F_y$$

$$F_R = \sqrt{(F_{Rx})^2 + (F_{Ry})^2}$$

$$\theta = \tan^{-1} \left| \frac{F_{Ry}}{F_{Rx}} \right|$$



Cartesian Vectors

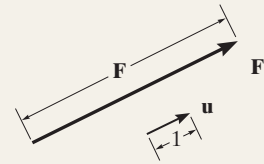
The unit vector \mathbf{u} has a length of one, no units, and it points in the direction of the vector \mathbf{F} .

A force can be resolved into its Cartesian components along the x , y , z axes so that $\mathbf{F} = F_x \mathbf{i} + F_y \mathbf{j} + F_z \mathbf{k}$.

The magnitude of \mathbf{F} is determined from the positive square root of the sum of the squares of its components.

The coordinate direction angles α , β , γ are determined by formulating a unit vector in the direction of \mathbf{F} . The x , y , z components of \mathbf{u} represent $\cos \alpha$, $\cos \beta$, $\cos \gamma$.

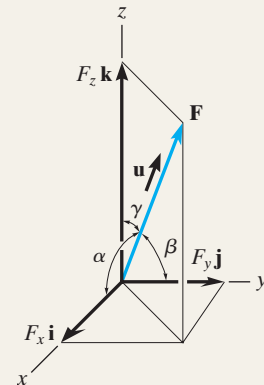
$$\mathbf{u} = \frac{\mathbf{F}}{F}$$



$$F = \sqrt{F_x^2 + F_y^2 + F_z^2}$$

$$\mathbf{u} = \frac{\mathbf{F}}{F} = \frac{F_x}{F} \mathbf{i} + \frac{F_y}{F} \mathbf{j} + \frac{F_z}{F} \mathbf{k}$$

$$\mathbf{u} = \cos \alpha \mathbf{i} + \cos \beta \mathbf{j} + \cos \gamma \mathbf{k}$$



The coordinate direction angles are related so that only two of the three angles are independent of one another.

$$\cos^2 \alpha + \cos^2 \beta + \cos^2 \gamma = 1$$

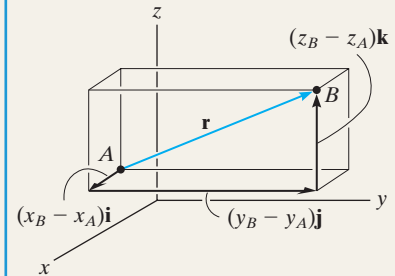
To find the resultant of a concurrent force system, express each force as a Cartesian vector and add the \mathbf{i} , \mathbf{j} , \mathbf{k} components of all the forces in the system.

$$\mathbf{F}_R = \Sigma \mathbf{F} = \Sigma F_x \mathbf{i} + \Sigma F_y \mathbf{j} + \Sigma F_z \mathbf{k}$$

Position and Force Vectors

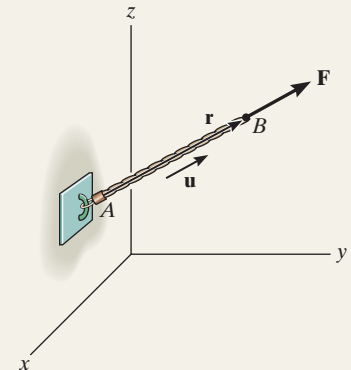
A position vector locates one point in space relative to another. The easiest way to formulate the components of a position vector is to determine the distance and direction that one must travel along the x , y , and z directions—going from the tail to the head of the vector.

$$\begin{aligned} \mathbf{r} &= (x_B - x_A)\mathbf{i} \\ &+ (y_B - y_A)\mathbf{j} \\ &+ (z_B - z_A)\mathbf{k} \end{aligned}$$



If the line of action of a force passes through points A and B, then the force acts in the same direction as the position vector \mathbf{r} , which is defined by the unit vector \mathbf{u} . The force can then be expressed as a Cartesian vector.

$$\mathbf{F} = F\mathbf{u} = F\left(\frac{\mathbf{r}}{r}\right)$$



Dot Product

The dot product between two vectors \mathbf{A} and \mathbf{B} yields a scalar. If \mathbf{A} and \mathbf{B} are expressed in Cartesian vector form, then the dot product is the sum of the products of their x , y , and z components

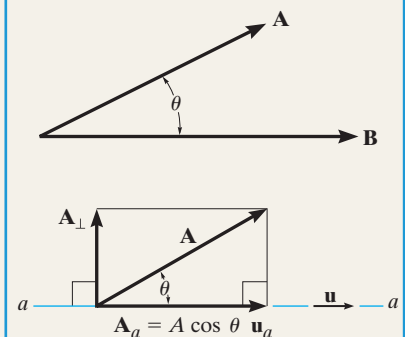
$$\begin{aligned} \mathbf{A} \cdot \mathbf{B} &= AB \cos \theta \\ &= A_x B_x + A_y B_y + A_z B_z \end{aligned}$$

The dot product can be used to determine the angle between \mathbf{A} and \mathbf{B} .

$$\theta = \cos^{-1}\left(\frac{\mathbf{A} \cdot \mathbf{B}}{AB}\right)$$

The dot product is also used to determine the projected component of a vector \mathbf{A} onto an axis aa defined by its unit vector \mathbf{u}_a .

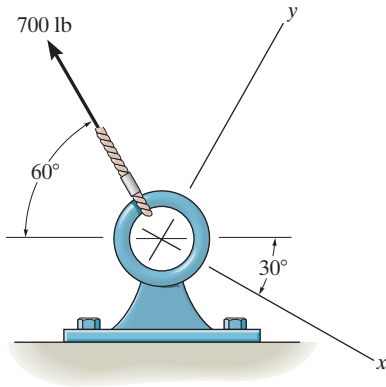
$$\mathbf{A}_a = A \cos \theta \mathbf{u}_a = (\mathbf{A} \cdot \mathbf{u}_a)\mathbf{u}_a$$



REVIEW PROBLEMS

2

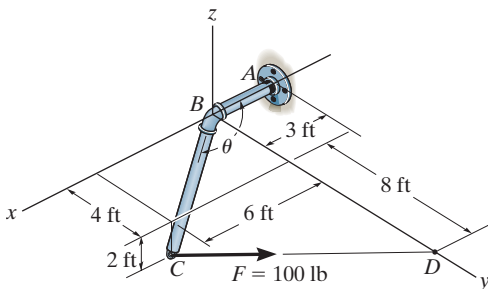
2-135. Determine the x and y components of the 700-lb force.



Prob. 2-135

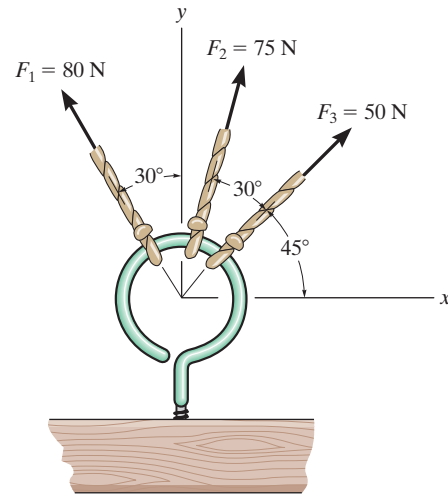
***2-136.** Determine the magnitude of the projected component of the 100-lb force acting along the axis BC of the pipe.

•2-137. Determine the angle θ between pipe segments BA and BC .



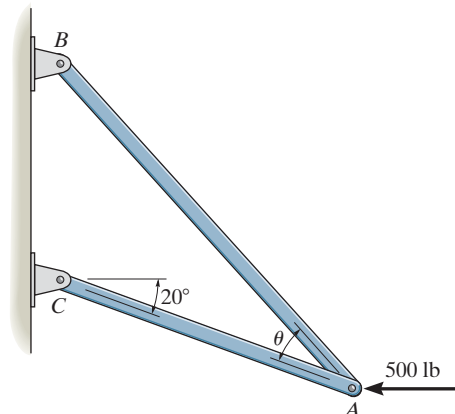
Probs. 2-136/137

2-138. Determine the magnitude and direction of the resultant $\mathbf{F}_R = \mathbf{F}_1 + \mathbf{F}_2 + \mathbf{F}_3$ of the three forces by first finding the resultant $\mathbf{F}' = \mathbf{F}_1 + \mathbf{F}_3$ and then forming $\mathbf{F}_R = \mathbf{F}' + \mathbf{F}_2$. Specify its direction measured counterclockwise from the positive x axis.



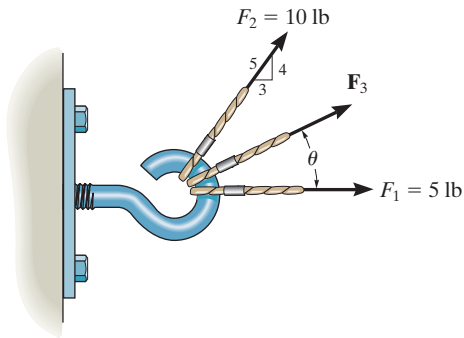
Prob. 2-138

2-139. Determine the design angle θ ($\theta < 90^\circ$) between the two struts so that the 500-lb horizontal force has a component of 600 lb directed from A toward C . What is the component of force acting along member BA ?



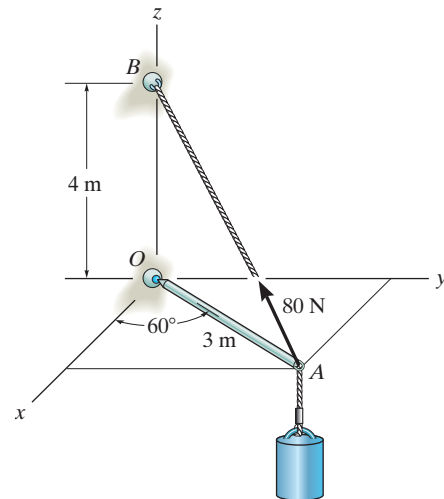
Prob. 2-139

***2-140.** Determine the magnitude and direction of the *smallest* force \mathbf{F}_3 so that the resultant force of all three forces has a magnitude of 20 lb.



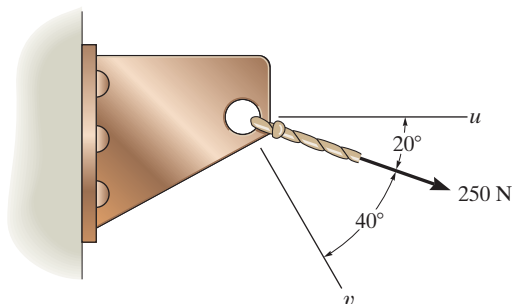
Prob. 2-140

2-142. Cable AB exerts a force of 80 N on the end of the 3-m-long boom OA . Determine the magnitude of the projection of this force along the boom.



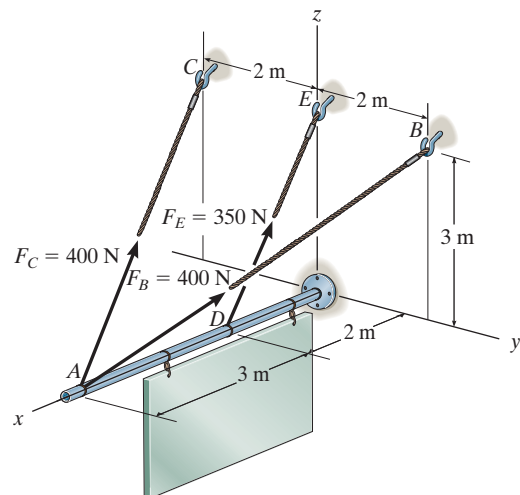
Prob. 2-142

•2-141. Resolve the 250-N force into components acting along the u and v axes and determine the magnitudes of these components.



Prob. 2-141

2-143. The three supporting cables exert the forces shown on the sign. Represent each force as a Cartesian vector.



Prob. 2-143



Whenever cables are used for hoisting loads, they must be selected so that they do not fail when they are placed at their points of attachment. In this chapter, we will show how to calculate cable loadings for such cases.

www.semeng.ir

Equilibrium of a Particle

3

CHAPTER OBJECTIVES

- To introduce the concept of the free-body diagram for a particle.
- To show how to solve particle equilibrium problems using the equations of equilibrium.

3.1 Condition for the Equilibrium of a Particle

A particle is said to be in *equilibrium* if it remains at rest if originally at rest, or has a constant velocity if originally in motion. Most often, however, the term “equilibrium” or, more specifically, “static equilibrium” is used to describe an object at rest. To maintain equilibrium, it is *necessary* to satisfy Newton’s first law of motion, which requires the *resultant force* acting on a particle to be equal to *zero*. This condition may be stated mathematically as

$$\Sigma \mathbf{F} = \mathbf{0} \quad (3-1)$$

where $\Sigma \mathbf{F}$ is the vector *sum of all the forces* acting on the particle.

Not only is Eq. 3-1 a necessary condition for equilibrium, it is also a *sufficient* condition. This follows from Newton’s second law of motion, which can be written as $\Sigma \mathbf{F} = m\mathbf{a}$. Since the force system satisfies Eq. 3-1, then $m\mathbf{a} = \mathbf{0}$, and therefore the particle’s acceleration $\mathbf{a} = \mathbf{0}$. Consequently, the particle indeed moves with constant velocity or remains at rest.

3.2 The Free-Body Diagram

To apply the equation of equilibrium, we must account for *all* the known and unknown forces ($\Sigma \mathbf{F}$) which act *on* the particle. The best way to do this is to think of the particle as isolated and “free” from its surroundings. A drawing that shows the particle with *all* the forces that act on it is called a *free-body diagram (FBD)*.

Before presenting a formal procedure as to how to draw a free-body diagram, we will first consider two types of connections often encountered in particle equilibrium problems.

Springs. If a *linearly elastic spring* (or cord) of undeformed length l_o is used to support a particle, the length of the spring will change in direct proportion to the force \mathbf{F} acting on it, Fig. 3–1. A characteristic that defines the “elasticity” of a spring is the *spring constant* or *stiffness* k .

The magnitude of force exerted on a linearly elastic spring which has a stiffness k and is deformed (elongated or compressed) a distance $s = l - l_o$, measured from its *unloaded* position, is

$$F = ks \quad (3-2)$$

If s is positive, causing an elongation, then \mathbf{F} must pull on the spring; whereas if s is negative, causing a shortening, then \mathbf{F} must push on it. For example, if the spring in Fig. 3–1 has an unstretched length of 0.8 m and a stiffness $k = 500 \text{ N/m}$ and it is stretched to a length of 1 m, so that $s = l - l_o = 1 \text{ m} - 0.8 \text{ m} = 0.2 \text{ m}$, then a force $F = ks = 500 \text{ N/m}(0.2 \text{ m}) = 100 \text{ N}$ is needed.

Cables and Pulleys. Unless otherwise stated, throughout this book, except in Sec. 7.4, all cables (or cords) will be assumed to have negligible weight and they cannot stretch. Also, a cable can support *only* a tension or “pulling” force, and this force always acts in the direction of the cable. In Chapter 5, it will be shown that the tension force developed in a *continuous cable* which passes over a frictionless pulley must have a *constant* magnitude to keep the cable in equilibrium. Hence, for any angle θ , shown in Fig. 3–2, the cable is subjected to a constant tension T throughout its length.

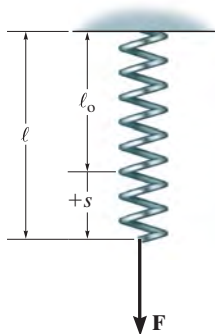


Fig. 3–1

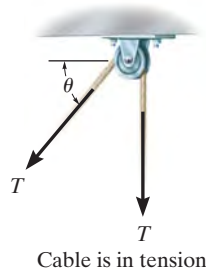


Fig. 3–2

Procedure for Drawing a Free-Body Diagram

Since we must account for *all the forces acting on the particle* when applying the equations of equilibrium, the importance of first drawing a free-body diagram cannot be overemphasized. To construct a free-body diagram, the following three steps are necessary.

Draw Outlined Shape.

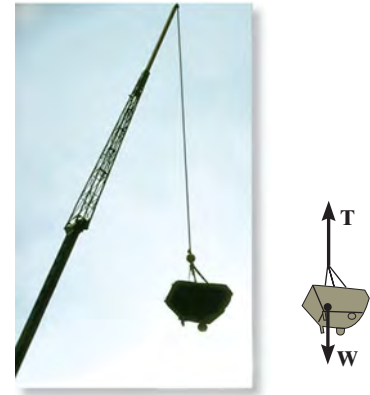
Imagine the particle to be *isolated* or cut “free” from its surroundings by drawing its outlined shape.

Show All Forces.

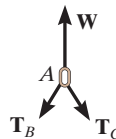
Indicate on this sketch *all the forces that act on the particle*. These forces can be *active forces*, which tend to set the particle in motion, or they can be *reactive forces* which are the result of the constraints or supports that tend to prevent motion. To account for all these forces, it may be helpful to trace around the particle’s boundary, carefully noting each force acting on it.

Identify Each Force.

The forces that are *known* should be labeled with their proper magnitudes and directions. Letters are used to represent the magnitudes and directions of forces that are unknown.



The bucket is held in equilibrium by the cable, and instinctively we know that the force in the cable must equal the weight of the bucket. By drawing a free-body diagram of the bucket we can understand why this is so. This diagram shows that there are only two forces *acting on the bucket*, namely, its weight \mathbf{W} and the force \mathbf{T} of the cable. For equilibrium, the resultant of these forces must be equal to zero, and so $T = W$.



The spool has a weight W and is suspended from the crane boom. If we wish to obtain the forces in cables AB and AC , then we should consider the free-body diagram of the ring at A . Here the cables AD exert a resultant force of \mathbf{W} on the ring and the condition of equilibrium is used to obtain \mathbf{T}_B and \mathbf{T}_C .

EXAMPLE 3.1

The sphere in Fig. 3–3a has a mass of 6 kg and is supported as shown. Draw a free-body diagram of the sphere, the cord CE , and the knot at C .

3

\mathbf{F}_{CE} (Force of cord CE acting on sphere)



58.9 N (Weight or gravity acting on sphere)

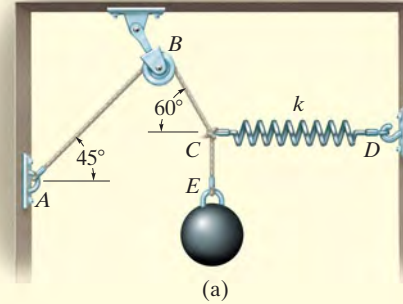
(b)

\mathbf{F}_{EC} (Force of knot acting on cord CE)



\mathbf{F}_{CE} (Force of sphere acting on cord CE)

(c)



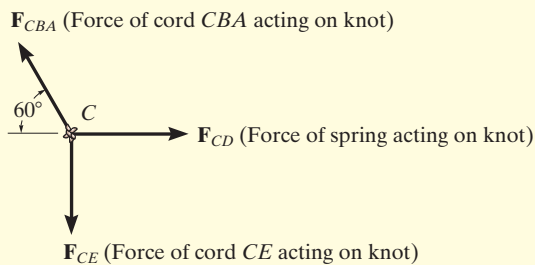
(a)

SOLUTION

Sphere. By inspection, there are only two forces acting on the sphere, namely, its weight, $6 \text{ kg} (9.81 \text{ m/s}^2) = 58.9 \text{ N}$, and the force of cord CE . The free-body diagram is shown in Fig. 3–3b.

Cord CE . When the cord CE is isolated from its surroundings, its free-body diagram shows only two forces acting on it, namely, the force of the sphere and the force of the knot, Fig. 3–3c. Notice that \mathbf{F}_{CE} shown here is equal but opposite to that shown in Fig. 3–3b, a consequence of Newton's third law of action–reaction. Also, \mathbf{F}_{CE} and \mathbf{F}_{EC} pull on the cord and keep it in tension so that it doesn't collapse. For equilibrium, $F_{CE} = F_{EC}$.

Knot. The knot at C is subjected to three forces, Fig. 3–3d. They are caused by the cords CBA and CE and the spring CD . As required, the free-body diagram shows all these forces labeled with their magnitudes and directions. It is important to recognize that the weight of the sphere does not directly act on the knot. Instead, the cord CE subjects the knot to this force.



(d)

Fig. 3–3

3.3 Coplanar Force Systems

If a particle is subjected to a system of coplanar forces that lie in the x - y plane as in Fig. 3-4, then each force can be resolved into its \mathbf{i} and \mathbf{j} components. For equilibrium, these forces must sum to produce a zero force resultant, i.e.,

$$\begin{aligned}\Sigma \mathbf{F} &= \mathbf{0} \\ \Sigma F_x \mathbf{i} + \Sigma F_y \mathbf{j} &= \mathbf{0}\end{aligned}$$

For this vector equation to be satisfied, the force's x and y components must both be equal to zero. Hence,

$$\begin{cases} \Sigma F_x = 0 \\ \Sigma F_y = 0 \end{cases} \quad (3-3)$$

These two equations can be solved for at most two unknowns, generally represented as angles and magnitudes of forces shown on the particle's free-body diagram.

When applying each of the two equations of equilibrium, we must account for the sense of direction of any component by using an *algebraic sign* which corresponds to the arrowhead direction of the component along the x or y axis. It is important to note that if a force has an *unknown magnitude*, then the arrowhead sense of the force on the free-body diagram can be *assumed*. Then if the *solution* yields a *negative scalar*, this indicates that the sense of the force is opposite to that which was assumed.

For example, consider the free-body diagram of the particle subjected to the two forces shown in Fig. 3-5. Here it is *assumed* that the *unknown force* \mathbf{F} acts to the right to maintain equilibrium. Applying the equation of equilibrium along the x axis, we have

$$\rightarrow \Sigma F_x = 0; \quad +F + 10 \text{ N} = 0$$

Both terms are “positive” since both forces act in the positive x direction. When this equation is solved, $F = -10 \text{ N}$. Here the *negative sign* indicates that \mathbf{F} must act to the left to hold the particle in equilibrium, Fig. 3-5. Notice that if the $+x$ axis in Fig. 3-5 were directed to the left, both terms in the above equation would be negative, but again, after solving, $F = -10 \text{ N}$, indicating that \mathbf{F} would be directed to the left.

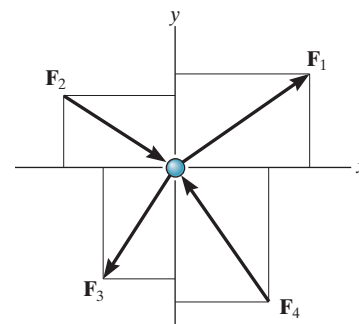


Fig. 3-4

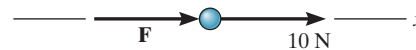


Fig. 3-5

Procedure for Analysis

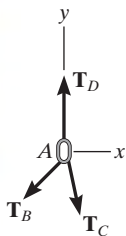
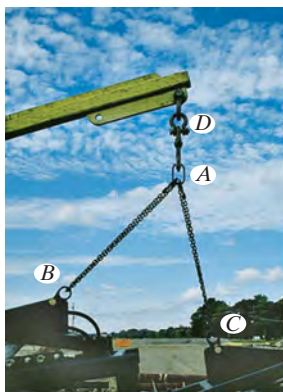
Coplanar force equilibrium problems for a particle can be solved using the following procedure.

Free-Body Diagram.

- Establish the x, y axes in any suitable orientation.
- Label all the known and unknown force magnitudes and directions on the diagram.
- The sense of a force having an unknown magnitude can be assumed.

Equations of Equilibrium.

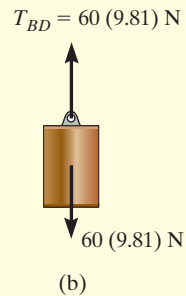
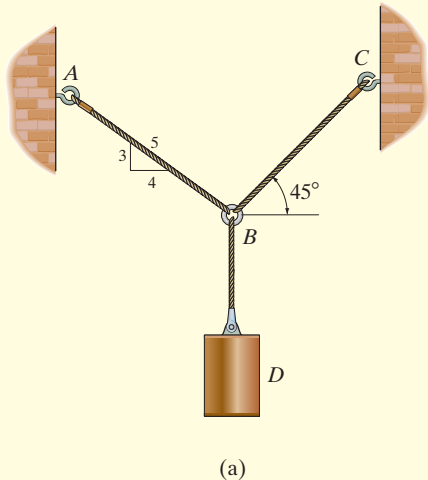
- Apply the equations of equilibrium, $\Sigma F_x = 0$ and $\Sigma F_y = 0$.
- Components are positive if they are directed along a positive axis, and negative if they are directed along a negative axis.
- If more than two unknowns exist and the problem involves a spring, apply $F = ks$ to relate the spring force to the deformation s of the spring.
- Since the magnitude of a force is always a positive quantity, then if the solution for a force yields a negative result, this indicates its sense is the reverse of that shown on the free-body diagram.



The chains exert three forces on the ring at A , as shown on its free-body diagram. The ring will not move, or will move with constant velocity, provided the summation of these forces along the x and along the y axis is zero. If one of the three forces is known, the magnitudes of the other two forces can be obtained from the two equations of equilibrium.

EXAMPLE 3.2

Determine the tension in cables BA and BC necessary to support the 60-kg cylinder in Fig. 3-6a.

**SOLUTION**

Free-Body Diagram. Due to equilibrium, the weight of the cylinder causes the tension in cable BD to be $T_{BD} = 60(9.81)$ N, Fig. 3-6b. The forces in cables BA and BC can be determined by investigating the equilibrium of ring B . Its free-body diagram is shown in Fig. 3-6c. The magnitudes of \mathbf{T}_A and \mathbf{T}_C are unknown, but their directions are known.

Equations of Equilibrium. Applying the equations of equilibrium along the x and y axes, we have

$$\rightarrow \Sigma F_x = 0; \quad T_C \cos 45^\circ - \left(\frac{4}{5}\right)T_A = 0 \quad (1)$$

$$+ \uparrow \Sigma F_y = 0; \quad T_C \sin 45^\circ + \left(\frac{3}{5}\right)T_A - 60(9.81) \text{ N} = 0 \quad (2)$$

Equation (1) can be written as $T_A = 0.8839T_C$. Substituting this into Eq. (2) yields

$$T_C \sin 45^\circ + \left(\frac{3}{5}\right)(0.8839T_C) - 60(9.81) \text{ N} = 0$$

So that

$$T_C = 475.66 \text{ N} = 476 \text{ N} \quad \text{Ans.}$$

Substituting this result into either Eq. (1) or Eq. (2), we get

$$T_A = 420 \text{ N} \quad \text{Ans.}$$

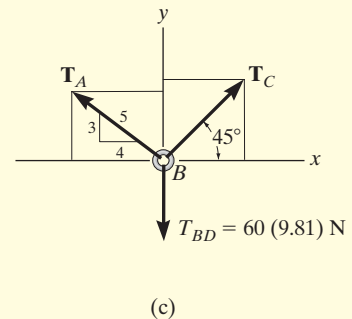
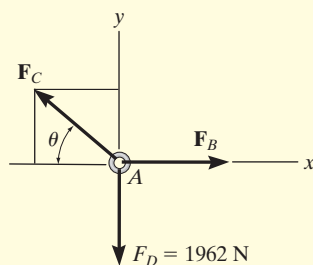


Fig. 3-6

NOTE: The accuracy of these results, of course, depends on the accuracy of the data, i.e., measurements of geometry and loads. For most engineering work involving a problem such as this, the data as measured to three significant figures would be sufficient.

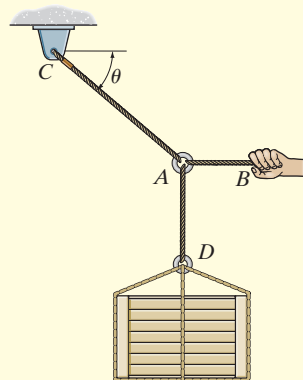
EXAMPLE 3.3

The 200-kg crate in Fig. 3-7a is suspended using the ropes AB and AC . Each rope can withstand a maximum force of 10 kN before it breaks. If AB always remains horizontal, determine the smallest angle θ to which the crate can be suspended before one of the ropes breaks.



(b)

Fig. 3-7



(a)

SOLUTION

Free-Body Diagram. We will study the equilibrium of ring A . There are three forces acting on it, Fig. 3-7b. The magnitude of F_D is equal to the weight of the crate, i.e., $F_D = 200(9.81) \text{ N} = 1962 \text{ N} < 10 \text{ kN}$.

Equations of Equilibrium. Applying the equations of equilibrium along the x and y axes,

$$\rightarrow \Sigma F_x = 0; \quad -F_C \cos \theta + F_B = 0; \quad F_C = \frac{F_B}{\cos \theta} \quad (1)$$

$$+ \uparrow \Sigma F_y = 0; \quad F_C \sin \theta - 1962 \text{ N} = 0 \quad (2)$$

From Eq. (1), F_C is always greater than F_B since $\cos \theta \leq 1$. Therefore, rope AC will reach the maximum tensile force of 10 kN before rope AB . Substituting $F_C = 10 \text{ kN}$ into Eq. (2), we get

$$[10(10^3) \text{ N}] \sin \theta - 1962 \text{ N} = 0$$

$$\theta = \sin^{-1}(0.1962) = 11.31^\circ = 11.3^\circ \quad \text{Ans.}$$

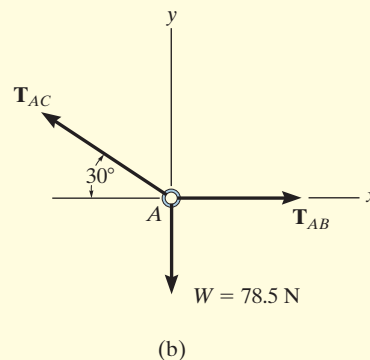
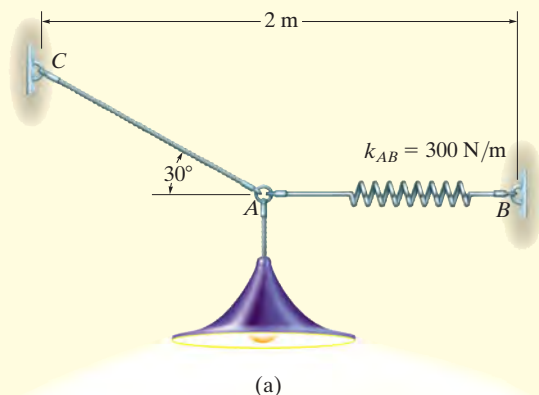
The force developed in rope AB can be obtained by substituting the values for θ and F_C into Eq. (1).

$$10(10^3) \text{ N} = \frac{F_B}{\cos 11.31^\circ}$$

$$F_B = 9.81 \text{ kN}$$

EXAMPLE 3.4

Determine the required length of cord AC in Fig. 3–8a so that the 8-kg lamp can be suspended in the position shown. The undeformed length of spring AB is $l'_{AB} = 0.4$ m, and the spring has a stiffness of $k_{AB} = 300$ N/m.

**Fig. 3–8****SOLUTION**

If the force in spring AB is known, the stretch of the spring can be found using $F = ks$. From the problem geometry, it is then possible to calculate the required length of AC .

Free-Body Diagram. The lamp has a weight $W = 8(9.81) = 78.5$ N and so the free-body diagram of the ring at A is shown in Fig. 3–8b.

Equations of Equilibrium. Using the x, y axes,

$$\begin{aligned} \pm \Sigma F_x = 0; & \quad T_{AB} - T_{AC} \cos 30^\circ = 0 \\ + \uparrow \Sigma F_y = 0; & \quad T_{AC} \sin 30^\circ - 78.5 \text{ N} = 0 \end{aligned}$$

Solving, we obtain

$$T_{AC} = 157.0 \text{ N}$$

$$T_{AB} = 135.9 \text{ N}$$

The stretch of spring AB is therefore

$$\begin{aligned} T_{AB} = k_{AB}s_{AB}; & \quad 135.9 \text{ N} = 300 \text{ N/m}(s_{AB}) \\ & \quad s_{AB} = 0.453 \text{ m} \end{aligned}$$

so the stretched length is

$$l_{AB} = l'_{AB} + s_{AB}$$

$$l_{AB} = 0.4 \text{ m} + 0.453 \text{ m} = 0.853 \text{ m}$$

The horizontal distance from C to B , Fig. 3–8a, requires

$$2 \text{ m} = l_{AC} \cos 30^\circ + 0.853 \text{ m}$$

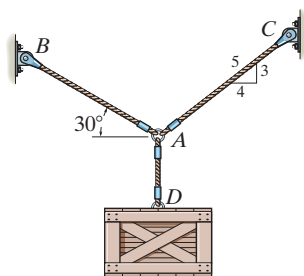
$$l_{AC} = 1.32 \text{ m}$$

Ans.

FUNDAMENTAL PROBLEMS

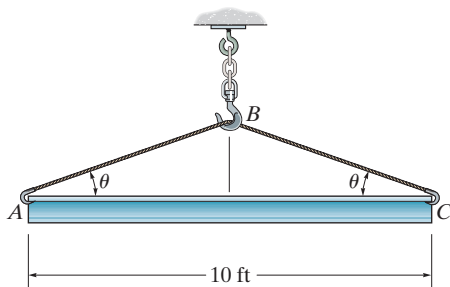
All problem solutions must include an FBD.

F3-1. The crate has a weight of 550 lb. Determine the force in each supporting cable.



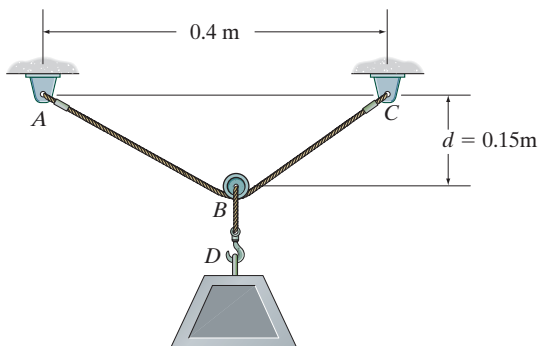
F3-1

F3-2. The beam has a weight of 700 lb. Determine the shortest cable ABC that can be used to lift it if the maximum force the cable can sustain is 1500 lb.



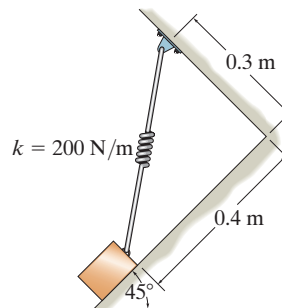
F3-2

F3-3. If the 5-kg block is suspended from the pulley B and the sag of the cord is $d = 0.15$ m, determine the force in cord ABC . Neglect the size of the pulley.



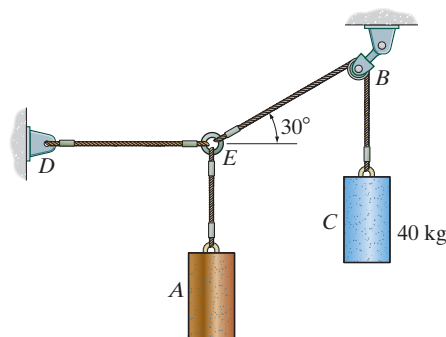
F3-3

F3-4. The block has a mass of 5 kg and rests on the smooth plane. Determine the unstretched length of the spring.



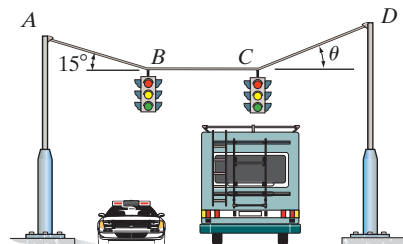
F3-4

F3-5. If the mass of cylinder C is 40 kg, determine the mass of cylinder A in order to hold the assembly in the position shown.



F3-5

F3-6. Determine the tension in cables AB , BC , and CD , necessary to support the 10-kg and 15-kg traffic lights at B and C , respectively. Also, find the angle θ .



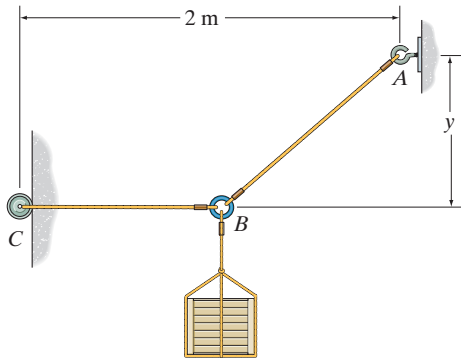
F3-6

PROBLEMS

All problem solutions must include an FBD.

•3-1. Determine the force in each cord for equilibrium of the 200-kg crate. Cord BC remains horizontal due to the roller at C , and AB has a length of 1.5 m. Set $y = 0.75$ m.

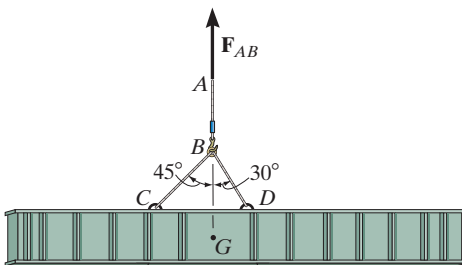
3-2. If the 1.5-m-long cord AB can withstand a maximum force of 3500 N, determine the force in cord BC and the distance y so that the 200-kg crate can be supported.



Probs. 3-1/2

3-3. If the mass of the girder is 3 Mg and its center of mass is located at point G , determine the tension developed in cables AB , BC , and BD for equilibrium.

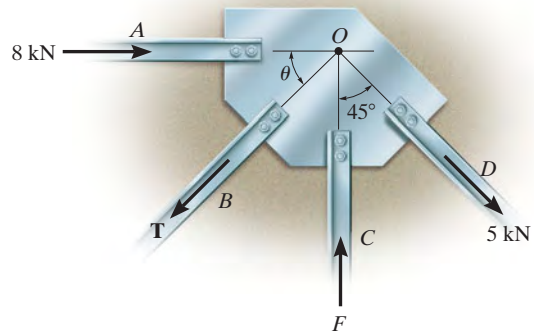
***3-4.** If cables BD and BC can withstand a maximum tensile force of 20 kN, determine the maximum mass of the girder that can be suspended from cable AB so that neither cable will fail. The center of mass of the girder is located at point G .



Probs. 3-3/4

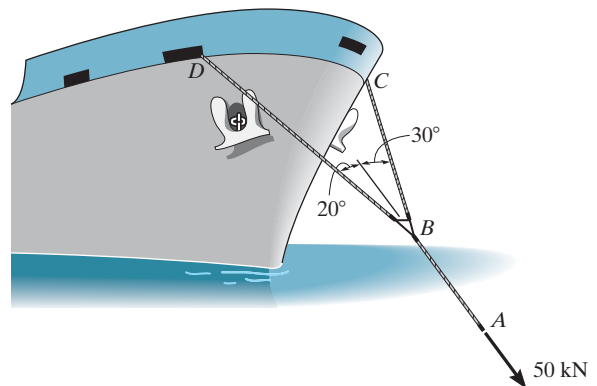
•3-5. The members of a truss are connected to the gusset plate. If the forces are concurrent at point O , determine the magnitudes of F and T for equilibrium. Take $\theta = 30^\circ$.

3-6. The gusset plate is subjected to the forces of four members. Determine the force in member B and its proper orientation θ for equilibrium. The forces are concurrent at point O . Take $F = 12$ kN.



Probs. 3-5/6

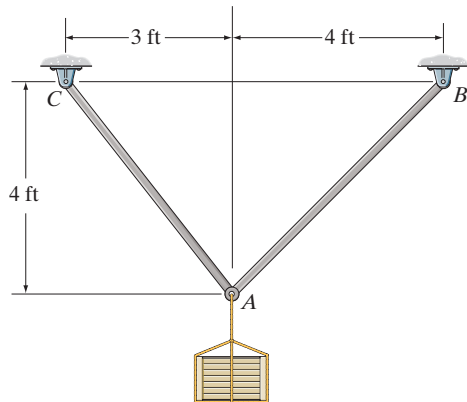
3-7. The towing pendant AB is subjected to the force of 50 kN exerted by a tugboat. Determine the force in each of the bridles, BC and BD , if the ship is moving forward with constant velocity.



Prob. 3-7

***3-8.** Members AC and AB support the 300-lb crate. Determine the tensile force developed in each member.

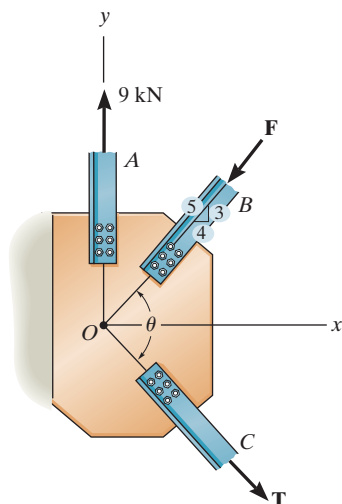
•3-9. If members AC and AB can support a maximum tension of 300 lb and 250 lb, respectively, determine the largest weight of the crate that can be safely supported.



Probs. 3-8/9

3-10. The members of a truss are connected to the gusset plate. If the forces are concurrent at point O , determine the magnitudes of \mathbf{F} and \mathbf{T} for equilibrium. Take $\theta = 90^\circ$.

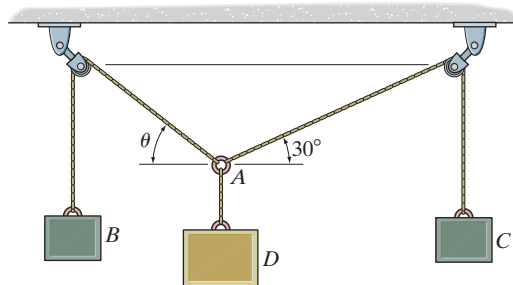
3-11. The gusset plate is subjected to the forces of three members. Determine the tension force in member C and its angle θ for equilibrium. The forces are concurrent at point O . Take $F = 8$ kN.



Probs. 3-10/11

***3-12.** If block B weighs 200 lb and block C weighs 100 lb, determine the required weight of block D and the angle θ for equilibrium.

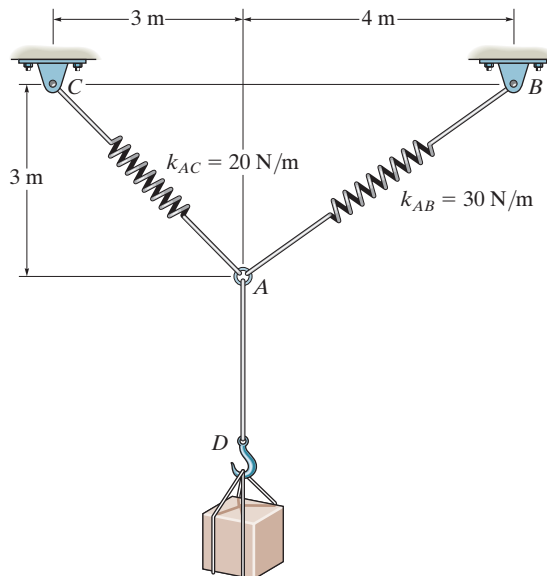
•3-13. If block D weighs 300 lb and block B weighs 275 lb, determine the required weight of block C and the angle θ for equilibrium.



Probs. 3-12/13

3-14. Determine the stretch in springs AC and AB for equilibrium of the 2-kg block. The springs are shown in the equilibrium position.

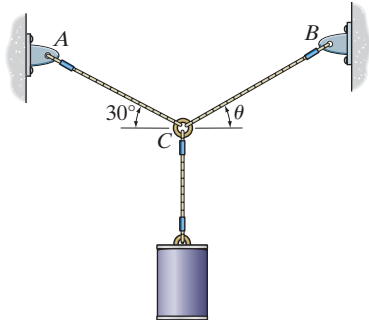
3-15. The unstretched length of spring AB is 3 m. If the block is held in the equilibrium position shown, determine the mass of the block at D .



Probs. 3-14/15

***3-16.** Determine the tension developed in wires CA and CB required for equilibrium of the 10-kg cylinder. Take $\theta = 40^\circ$.

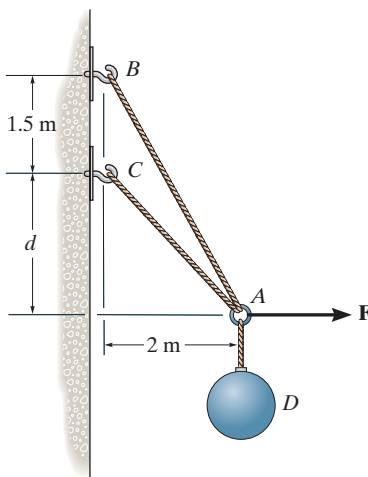
•3-17. If cable CB is subjected to a tension that is twice that of cable CA , determine the angle θ for equilibrium of the 10-kg cylinder. Also, what are the tensions in wires CA and CB ?



Probs. 3-16/17

3-18. Determine the forces in cables AC and AB needed to hold the 20-kg ball D in equilibrium. Take $F = 300$ N and $d = 1$ m.

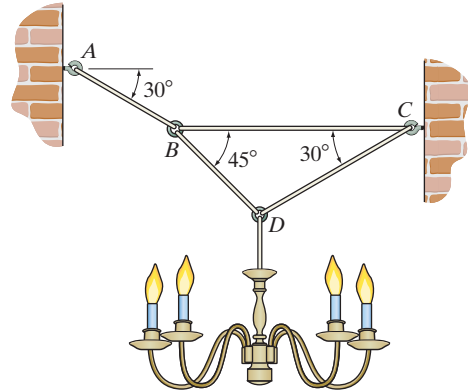
3-19. The ball D has a mass of 20 kg. If a force of $F = 100$ N is applied horizontally to the ring at A , determine the dimension d so that the force in cable AC is zero.



Probs. 3-18/19

***3-20.** Determine the tension developed in each wire used to support the 50-kg chandelier.

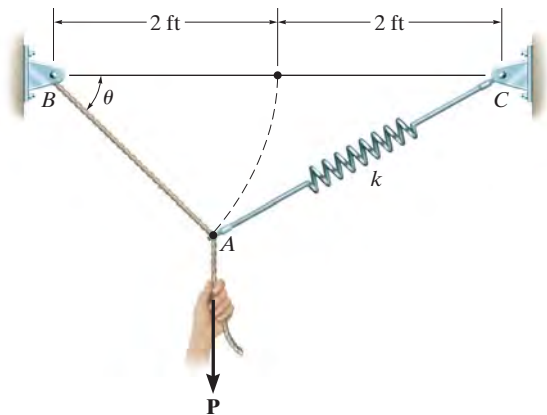
•3-21. If the tension developed in each of the four wires is not allowed to exceed 600 N, determine the maximum mass of the chandelier that can be supported.



Prob. 3-20/21

■3-22. A vertical force $P = 10$ lb is applied to the ends of the 2-ft cord AB and spring AC . If the spring has an unstretched length of 2 ft, determine the angle θ for equilibrium. Take $k = 15$ lb/ft.

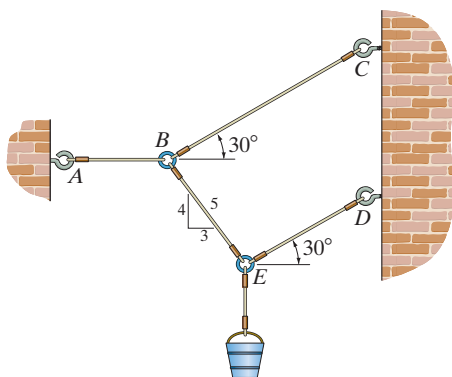
3-23. Determine the unstretched length of spring AC if a force $P = 80$ lb causes the angle $\theta = 60^\circ$ for equilibrium. Cord AB is 2 ft long. Take $k = 50$ lb/ft.



Probs. 3-22/23

***3-24.** If the bucket weighs 50 lb, determine the tension developed in each of the wires.

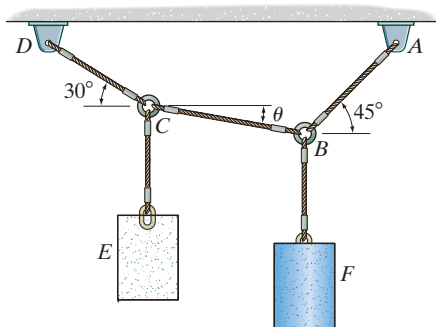
•3-25. Determine the maximum weight of the bucket that the wire system can support so that no single wire develops a tension exceeding 100 lb.



Probs. 3-24/25

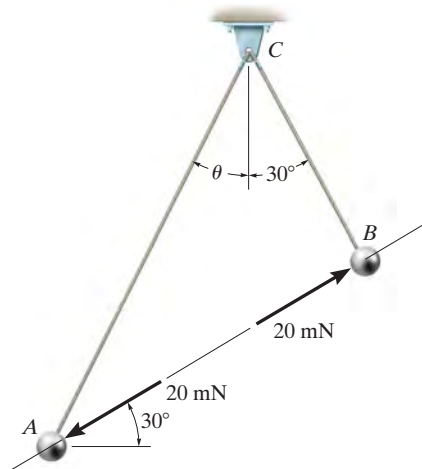
3-26. Determine the tensions developed in wires CD , CB , and BA and the angle θ required for equilibrium of the 30-lb cylinder E and the 60-lb cylinder F .

3-27. If cylinder E weighs 30 lb and $\theta = 15^\circ$, determine the weight of cylinder F .



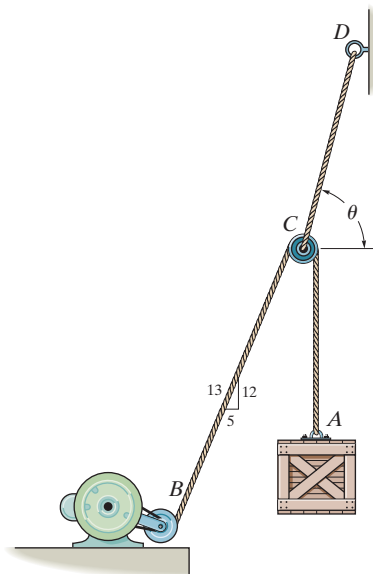
Probs. 3-26/27

***3-28.** Two spheres A and B have an equal mass and are electrostatically charged such that the repulsive force acting between them has a magnitude of 20 mN and is directed along line AB . Determine the angle θ , the tension in cords AC and BC , and the mass m of each sphere.



Prob. 3-28

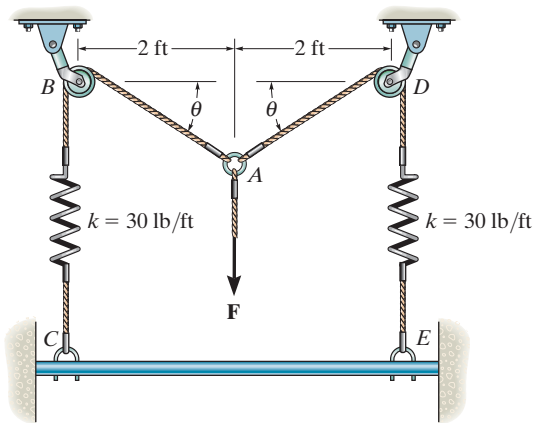
•3-29. The cords BCA and CD can each support a maximum load of 100 lb. Determine the maximum weight of the crate that can be hoisted at constant velocity and the angle θ for equilibrium. Neglect the size of the smooth pulley at C .



Prob. 3-29

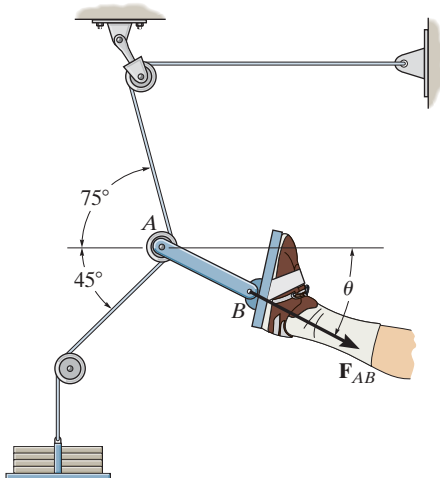
•3–30. The springs on the rope assembly are originally unstretched when $\theta = 0^\circ$. Determine the tension in each rope when $F = 90$ lb. Neglect the size of the pulleys at B and D .

3–31. The springs on the rope assembly are originally stretched 1 ft when $\theta = 0^\circ$. Determine the vertical force F that must be applied so that $\theta = 30^\circ$.



Probs. 3–30/31

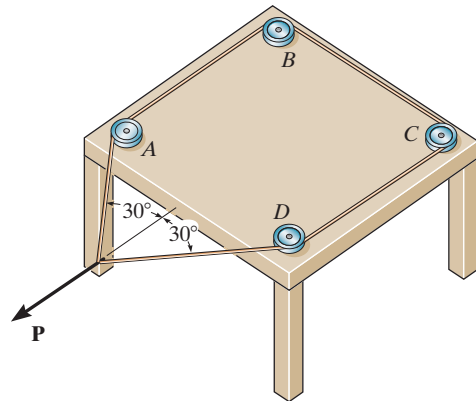
*3–32. Determine the magnitude and direction θ of the equilibrium force F_{AB} exerted along link AB by the tractive apparatus shown. The suspended mass is 10 kg. Neglect the size of the pulley at A .



Prob. 3–32

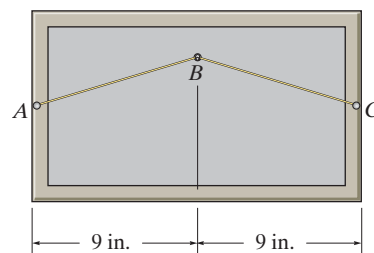
•3–33. The wire forms a loop and passes over the small pulleys at $A, B, C,$ and D . If its end is subjected to a force of $P = 50$ N, determine the force in the wire and the magnitude of the resultant force that the wire exerts on each of the pulleys.

3–34. The wire forms a loop and passes over the small pulleys at $A, B, C,$ and D . If the maximum resultant force that the wire can exert on each pulley is 120 N, determine the greatest force P that can be applied to the wire as shown.



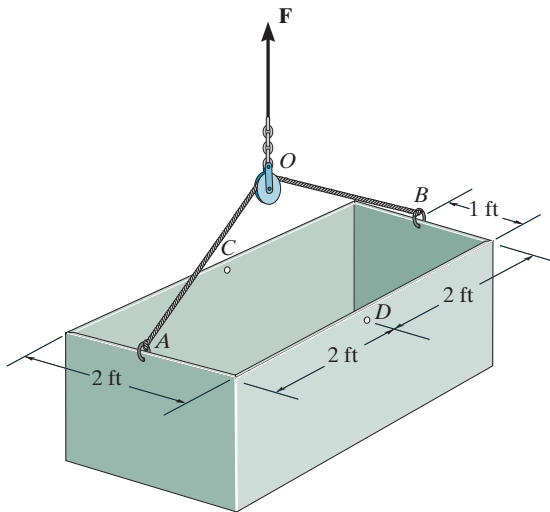
Probs. 3–33/34

3–35. The picture has a weight of 10 lb and is to be hung over the smooth pin B . If a string is attached to the frame at points A and C , and the maximum force the string can support is 15 lb, determine the shortest string that can be safely used.



Prob. 3–35

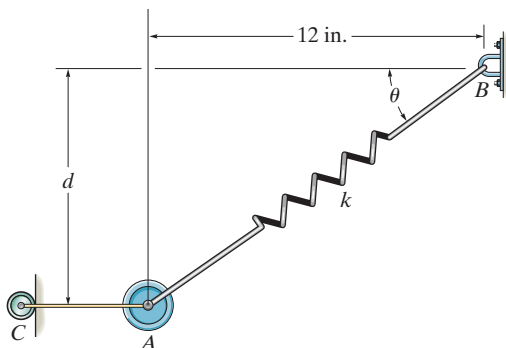
***3–36.** The 200-lb uniform tank is suspended by means of a 6-ft-long cable, which is attached to the sides of the tank and passes over the small pulley located at O . If the cable can be attached at either points A and B or C and D , determine which attachment produces the least amount of tension in the cable. What is this tension?



Prob. 3–36

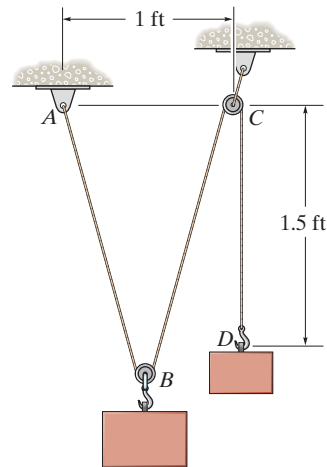
•3–37. The 10-lb weight is supported by the cord AC and roller and by the spring that has a stiffness of $k = 10$ lb/in. and an unstretched length of 12 in. Determine the distance d to where the weight is located when it is in equilibrium.

3–38. The 10-lb weight is supported by the cord AC and roller and by a spring. If the spring has an unstretched length of 8 in. and the weight is in equilibrium when $d = 4$ in., determine the stiffness k of the spring.



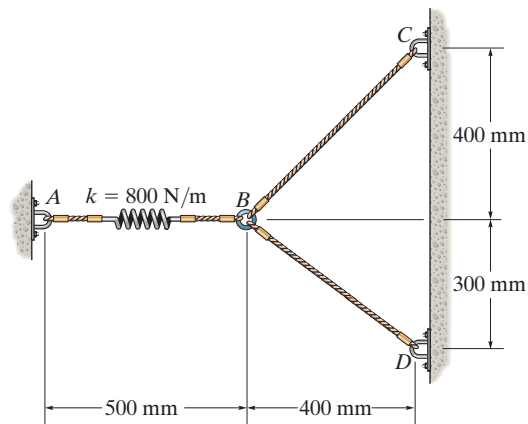
Probs. 3–37/38

•3–39. A “scale” is constructed with a 4-ft-long cord and the 10-lb block D . The cord is fixed to a pin at A and passes over two small pulleys at B and C . Determine the weight of the suspended block at B if the system is in equilibrium.



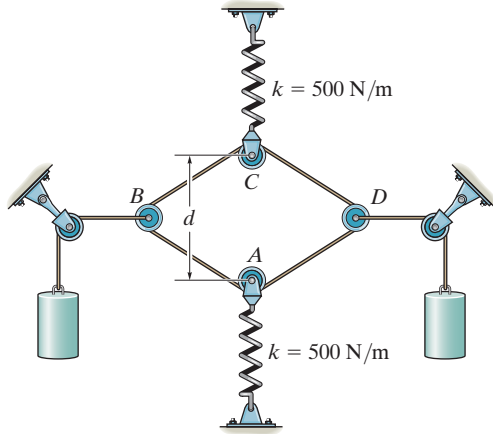
Prob. 3–39

•*3–40. The spring has a stiffness of $k = 800$ N/m and an unstretched length of 200 mm. Determine the force in cables BC and BD when the spring is held in the position shown.



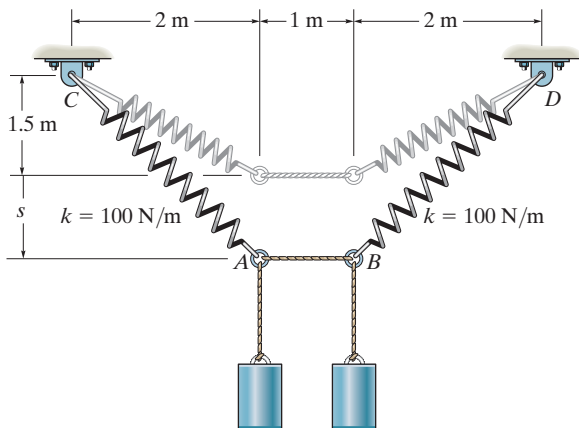
Prob. 3–40

•3-41. A continuous cable of total length 4 m is wrapped around the *small* pulleys at *A*, *B*, *C*, and *D*. If each spring is stretched 300 mm, determine the mass *m* of each block. Neglect the weight of the pulleys and cords. The springs are unstretched when $d = 2$ m.



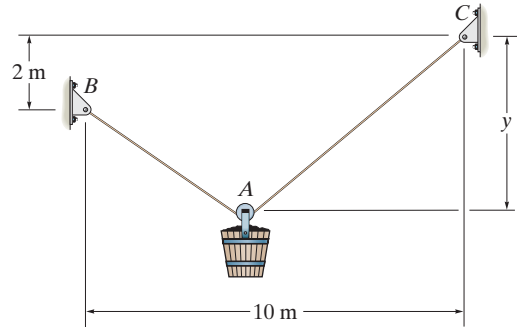
Prob. 3-41

3-42. Determine the mass of each of the two cylinders if they cause a sag of $s = 0.5$ m when suspended from the rings at *A* and *B*. Note that $s = 0$ when the cylinders are removed.



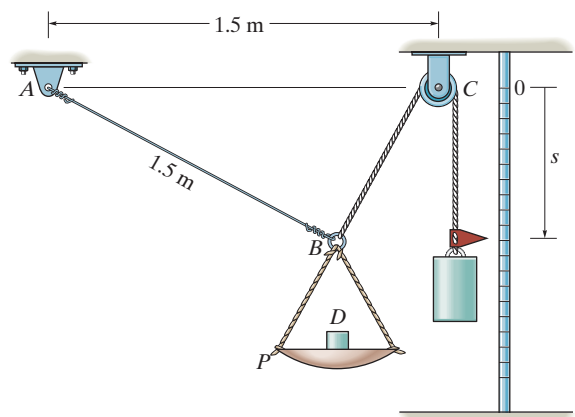
Prob. 3-42

•3-43. The pail and its contents have a mass of 60 kg. If the cable *BAL* is 15 m long, determine the distance *y* of the pulley at *A* for equilibrium. Neglect the size of the pulley.



Prob. 3-43

•*3-44. A scale is constructed using the 10-kg mass, the 2-kg pan *P*, and the pulley and cord arrangement. Cord *BCA* is 2 m long. If $s = 0.75$ m, determine the mass *D* in the pan. Neglect the size of the pulley.



Prob. 3-44

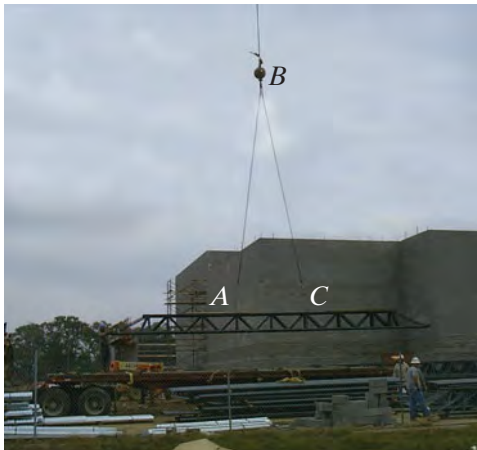
CONCEPTUAL PROBLEMS

3

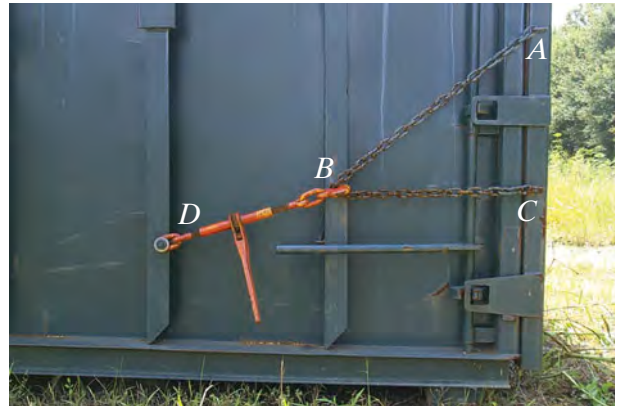
P3-1. The concrete wall panel is hoisted into position using the two cables AB and AC of equal length. Establish appropriate dimensions and use an equilibrium analysis to show that the longer the cables the less the force in each cable.



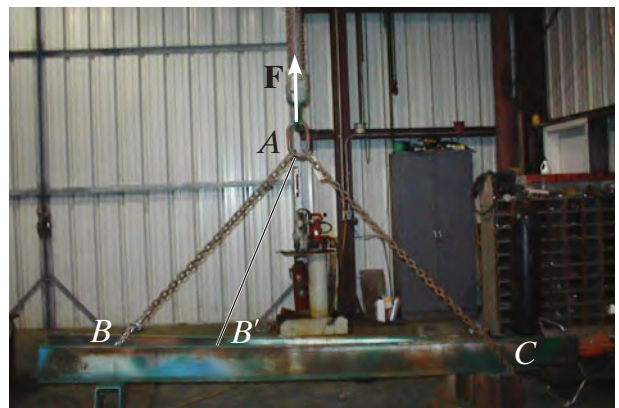
P3-2. The truss is hoisted using cable ABC that passes through a very small pulley at B . If the truss is placed in a tipped position, show that it will always return to the horizontal position to maintain equilibrium.



P3-3. The device DB is used to pull on the chain ABC so as to hold a door closed on the bin. If the angle between AB and the horizontal segment BC is 30° , determine the angle between DB and the horizontal for equilibrium.



P3-4. The two chains AB and AC have equal lengths and are subjected to the vertical force F . If AB is replaced by a shorter chain AB' , show that this chain would have to support a larger tensile force than AB in order to maintain equilibrium.



3.4 Three-Dimensional Force Systems

In Section 3.1 we stated that the necessary and sufficient condition for particle equilibrium is

$$\Sigma \mathbf{F} = \mathbf{0} \quad (3-4)$$

In the case of a three-dimensional force system, as in Fig. 3-9, we can resolve the forces into their respective \mathbf{i} , \mathbf{j} , \mathbf{k} components, so that $\Sigma F_x \mathbf{i} + \Sigma F_y \mathbf{j} + \Sigma F_z \mathbf{k} = \mathbf{0}$. To satisfy this equation we require

$$\begin{cases} \Sigma F_x = 0 \\ \Sigma F_y = 0 \\ \Sigma F_z = 0 \end{cases} \quad (3-5)$$

These three equations state that the *algebraic sum* of the components of all the forces acting on the particle along each of the coordinate axes must be zero. Using them we can solve for at most three unknowns, generally represented as coordinate direction angles or magnitudes of forces shown on the particle's free-body diagram.

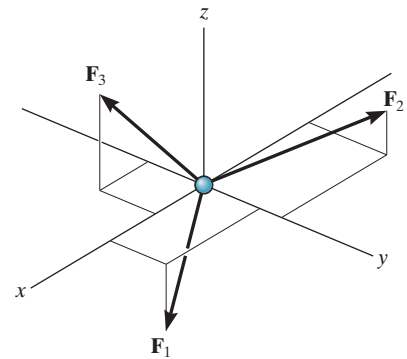


Fig. 3-9

Procedure for Analysis

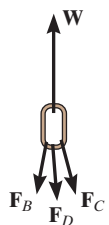
Three-dimensional force equilibrium problems for a particle can be solved using the following procedure.

Free-Body Diagram.

- Establish the x , y , z axes in any suitable orientation.
- Label all the known and unknown force magnitudes and directions on the diagram.
- The sense of a force having an unknown magnitude can be assumed.

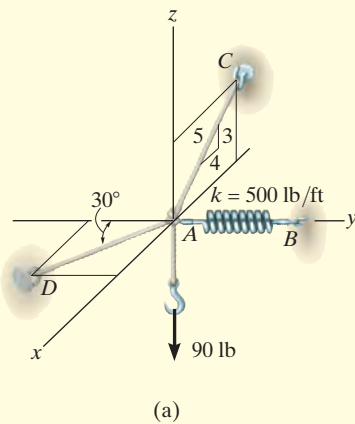
Equations of Equilibrium.

- Use the scalar equations of equilibrium, $\Sigma F_x = 0$, $\Sigma F_y = 0$, $\Sigma F_z = 0$, in cases where it is easy to resolve each force into its x , y , z components.
- If the three-dimensional geometry appears difficult, then first express each force on the free-body diagram as a Cartesian vector, substitute these vectors into $\Sigma \mathbf{F} = \mathbf{0}$, and then set the \mathbf{i} , \mathbf{j} , \mathbf{k} components equal to zero.
- If the solution for a force yields a negative result, this indicates that its sense is the reverse of that shown on the free-body diagram.



The ring at A is subjected to the force from the hook as well as forces from each of the three chains. If the electromagnet and its load have a weight W , then the force at the hook will be \mathbf{W} , and the three scalar equations of equilibrium can be applied to the free-body diagram of the ring in order to determine the chain forces, \mathbf{F}_B , \mathbf{F}_C , and \mathbf{F}_D .

EXAMPLE 3.5



A 90-lb load is suspended from the hook shown in Fig. 3–10*a*. If the load is supported by two cables and a spring having a stiffness $k = 500$ lb/ft, determine the force in the cables and the stretch of the spring for equilibrium. Cable AD lies in the x - y plane and cable AC lies in the x - z plane.

SOLUTION

The stretch of the spring can be determined once the force in the spring is determined.

Free-Body Diagram. The connection at A is chosen for the equilibrium analysis since the cable forces are concurrent at this point. The free-body diagram is shown in Fig. 3–10*b*.

Equations of Equilibrium. By inspection, each force can easily be resolved into its x , y , z components, and therefore the three scalar equations of equilibrium can be used. Considering components directed along each positive axis as “positive,” we have

$$\Sigma F_x = 0; \quad F_D \sin 30^\circ - \left(\frac{4}{5}\right)F_C = 0 \quad (1)$$

$$\Sigma F_y = 0; \quad -F_D \cos 30^\circ + F_B = 0 \quad (2)$$

$$\Sigma F_z = 0; \quad \left(\frac{3}{5}\right)F_C - 90 \text{ lb} = 0 \quad (3)$$

Solving Eq. (3) for F_C , then Eq. (1) for F_D , and finally Eq. (2) for F_B , yields

$$F_C = 150 \text{ lb} \quad \text{Ans.}$$

$$F_D = 240 \text{ lb} \quad \text{Ans.}$$

$$F_B = 207.8 \text{ lb} \quad \text{Ans.}$$

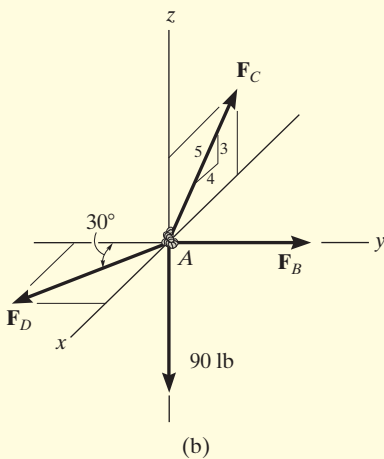


Fig. 3–10

The stretch of the spring is therefore

$$F_B = ks_{AB}$$

$$207.8 \text{ lb} = (500 \text{ lb/ft})(s_{AB})$$

$$s_{AB} = 0.416 \text{ ft} \quad \text{Ans.}$$

NOTE: Since the results for all the cable forces are positive, each cable is in tension; that is, it pulls on point A as expected, Fig. 3–10*b*.

EXAMPLE 3.6

The 10-kg lamp in Fig. 3-11a is suspended from the three equal-length cords. Determine its smallest vertical distance s from the ceiling if the force developed in any cord is not allowed to exceed 50 N.

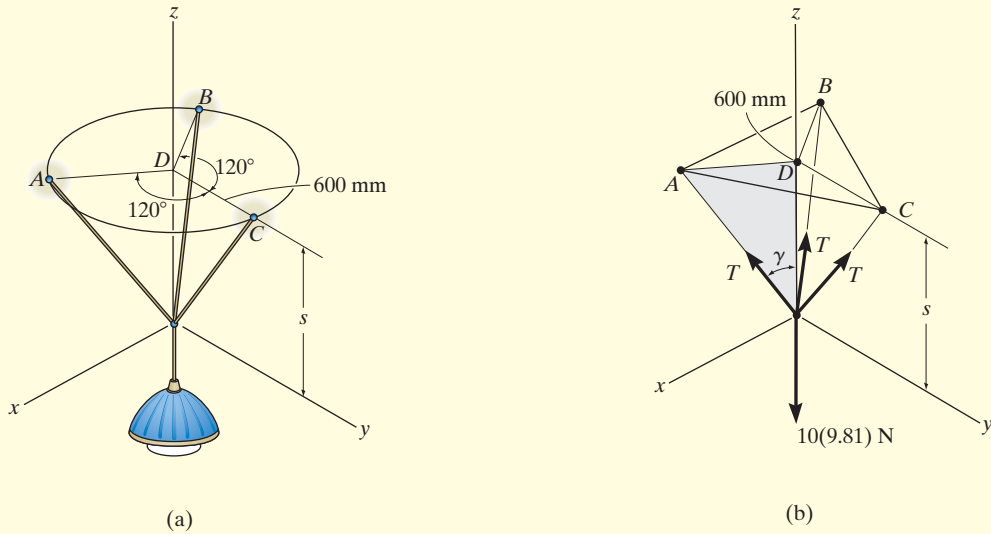


Fig. 3-11

SOLUTION

Free-Body Diagram. Due to symmetry, Fig. 3-11b, the distance $DA = DB = DC = 600$ mm. It follows that from $\sum F_x = 0$ and $\sum F_y = 0$, the tension T in each cord will be the same. Also, the angle between each cord and the z axis is γ .

Equation of Equilibrium. Applying the equilibrium equation along the z axis, with $T = 50$ N, we have

$$\sum F_z = 0; \quad 3[(50 \text{ N}) \cos \gamma] - 10(9.81) \text{ N} = 0$$

$$\gamma = \cos^{-1} \frac{98.1}{150} = 49.16^\circ$$

From the shaded triangle shown in Fig. 3-11b,

$$\tan 49.16^\circ = \frac{600 \text{ mm}}{s}$$

$$s = 519 \text{ mm}$$

Ans.

EXAMPLE 3.7

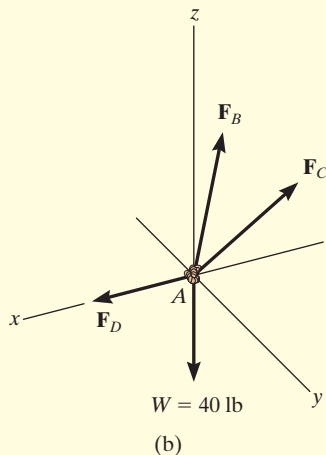
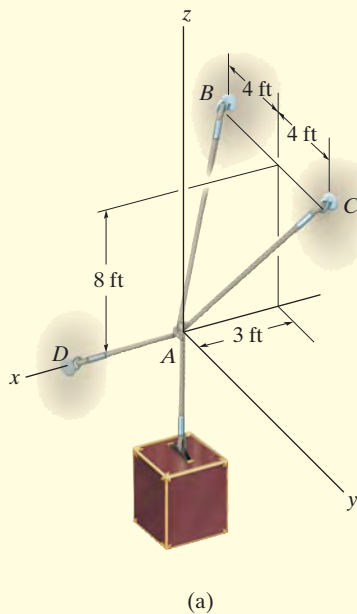


Fig. 3-12

Determine the force in each cable used to support the 40-lb crate shown in Fig. 3-12a.

SOLUTION

Free-Body Diagram. As shown in Fig. 3-12b, the free-body diagram of point A is considered in order to “expose” the three unknown forces in the cables.

Equations of Equilibrium. First we will express each force in Cartesian vector form. Since the coordinates of points B and C are $B(-3 \text{ ft}, -4 \text{ ft}, 8 \text{ ft})$ and $C(-3 \text{ ft}, 4 \text{ ft}, 8 \text{ ft})$, we have

$$\begin{aligned}\mathbf{F}_B &= F_B \left[\frac{-3\mathbf{i} - 4\mathbf{j} + 8\mathbf{k}}{2 \sqrt{(-3)^2 + (-4)^2 + (8)^2}} \right] \\ &= -0.318F_B\mathbf{i} - 0.424F_B\mathbf{j} + 0.848F_B\mathbf{k}\end{aligned}$$

$$\begin{aligned}\mathbf{F}_C &= F_C \left[\frac{-3\mathbf{i} + 4\mathbf{j} + 8\mathbf{k}}{2 \sqrt{(-3)^2 + (4)^2 + (8)^2}} \right] \\ &= -0.318F_C\mathbf{i} + 0.424F_C\mathbf{j} + 0.848F_C\mathbf{k}\end{aligned}$$

$$\mathbf{F}_D = F_D\mathbf{i}$$

$$\mathbf{W} = \{-40\mathbf{k}\} \text{ lb}$$

Equilibrium requires

$$\begin{aligned}\Sigma \mathbf{F} &= \mathbf{0}; & \mathbf{F}_B + \mathbf{F}_C + \mathbf{F}_D + \mathbf{W} &= \mathbf{0} \\ & & -0.318F_B\mathbf{i} - 0.424F_B\mathbf{j} + 0.848F_B\mathbf{k} \\ & & - 0.318F_C\mathbf{i} + 0.424F_C\mathbf{j} + 0.848F_C\mathbf{k} + F_D\mathbf{i} - 40\mathbf{k} &= \mathbf{0}\end{aligned}$$

Equating the respective \mathbf{i} , \mathbf{j} , \mathbf{k} components to zero yields

$$\Sigma F_x = 0; \quad -0.318F_B - 0.318F_C + F_D = 0 \quad (1)$$

$$\Sigma F_y = 0; \quad -0.424F_B + 0.424F_C = 0 \quad (2)$$

$$\Sigma F_z = 0; \quad 0.848F_B + 0.848F_C - 40 = 0 \quad (3)$$

Equation (2) states that $F_B = F_C$. Thus, solving Eq. (3) for F_B and F_C and substituting the result into Eq. (1) to obtain F_D , we have

$$F_B = F_C = 23.6 \text{ lb} \quad \text{Ans.}$$

$$F_D = 15.0 \text{ lb} \quad \text{Ans.}$$

EXAMPLE 3.8

Determine the tension in each cord used to support the 100-kg crate shown in Fig. 3–13a.

SOLUTION

Free-Body Diagram. The force in each of the cords can be determined by investigating the equilibrium of point A. The free-body diagram is shown in Fig. 3–13b. The weight of the crate is $W = 100(9.81) = 981 \text{ N}$.

Equations of Equilibrium. Each force on the free-body diagram is first expressed in Cartesian vector form. Using Eq. 2–9 for \mathbf{F}_C and noting point $D(-1 \text{ m}, 2 \text{ m}, 2 \text{ m})$ for \mathbf{F}_D , we have

$$\mathbf{F}_B = F_B \mathbf{i}$$

$$\begin{aligned} \mathbf{F}_C &= F_C \cos 120^\circ \mathbf{i} + F_C \cos 135^\circ \mathbf{j} + F_C \cos 60^\circ \mathbf{k} \\ &= -0.5F_C \mathbf{i} - 0.707F_C \mathbf{j} + 0.5F_C \mathbf{k} \end{aligned}$$

$$\mathbf{F}_D = F_D \left[\frac{-1\mathbf{i} + 2\mathbf{j} + 2\mathbf{k}}{2 \sqrt{(-1)^2 + (2)^2 + (2)^2}} \right]$$

$$= -0.333F_D \mathbf{i} + 0.667F_D \mathbf{j} + 0.667F_D \mathbf{k}$$

$$\mathbf{W} = \{-981\mathbf{k}\} \text{ N}$$

Equilibrium requires

$$\begin{aligned} \Sigma \mathbf{F} &= \mathbf{0}; & \mathbf{F}_B + \mathbf{F}_C + \mathbf{F}_D + \mathbf{W} &= \mathbf{0} \\ & & F_B \mathbf{i} - 0.5F_C \mathbf{i} - 0.707F_C \mathbf{j} + 0.5F_C \mathbf{k} \\ & & - 0.333F_D \mathbf{i} + 0.667F_D \mathbf{j} + 0.667F_D \mathbf{k} - 981\mathbf{k} &= \mathbf{0} \end{aligned}$$

Equating the respective \mathbf{i} , \mathbf{j} , \mathbf{k} components to zero,

$$\Sigma F_x = 0; \quad F_B - 0.5F_C - 0.333F_D = 0 \quad (1)$$

$$\Sigma F_y = 0; \quad -0.707F_C + 0.667F_D = 0 \quad (2)$$

$$\Sigma F_z = 0; \quad 0.5F_C + 0.667F_D - 981 = 0 \quad (3)$$

Solving Eq. (2) for F_D in terms of F_C and substituting this into Eq. (3) yields F_C . F_D is then determined from Eq. (2). Finally, substituting the results into Eq. (1) gives F_B . Hence,

$$F_C = 813 \text{ N} \quad \text{Ans.}$$

$$F_D = 862 \text{ N} \quad \text{Ans.}$$

$$F_B = 694 \text{ N} \quad \text{Ans.}$$

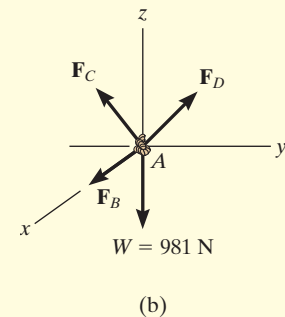
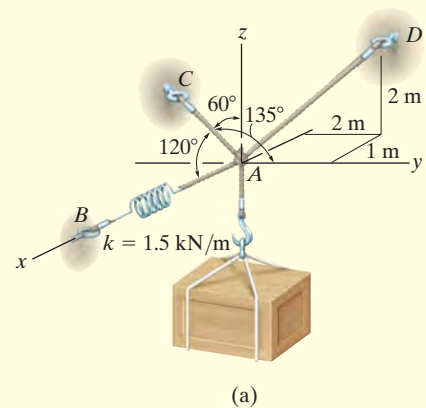
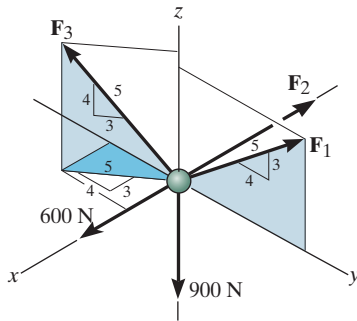


Fig. 3–13

FUNDAMENTAL PROBLEMS

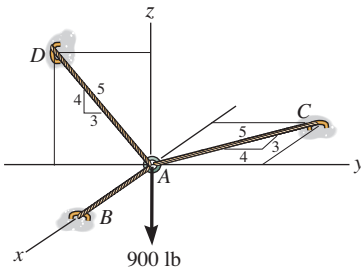
All problem solutions must include an FBD.

F3-7. Determine the magnitude of forces F_1 , F_2 , F_3 , so that the particle is held in equilibrium.



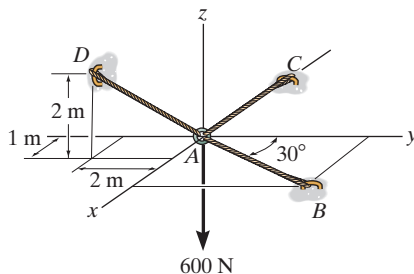
F3-7

F3-8. Determine the tension developed in cables AB , AC , and AD .



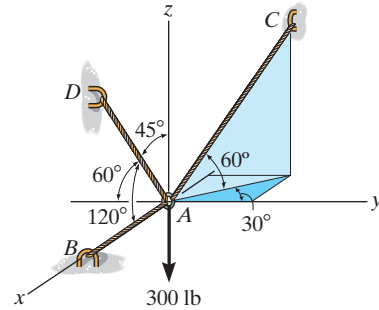
F3-8

F3-9. Determine the tension developed in cables AB , AC , and AD .



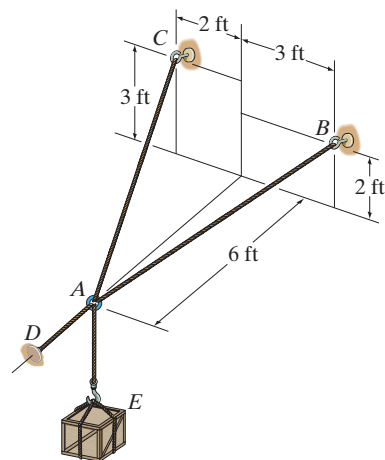
F3-9

F3-10. Determine the tension developed in cables AB , AC , and AD .



F3-10

F3-11. The 150-lb crate is supported by cables AB , AC , and AD . Determine the tension in these wires.

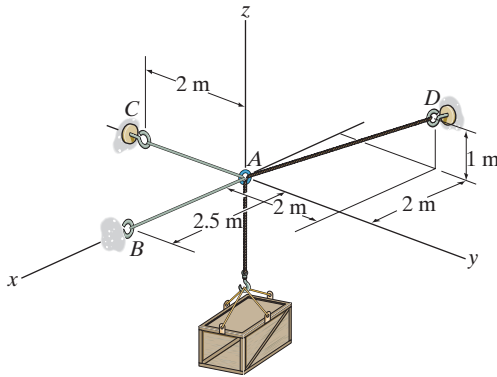


F3-11

PROBLEMS

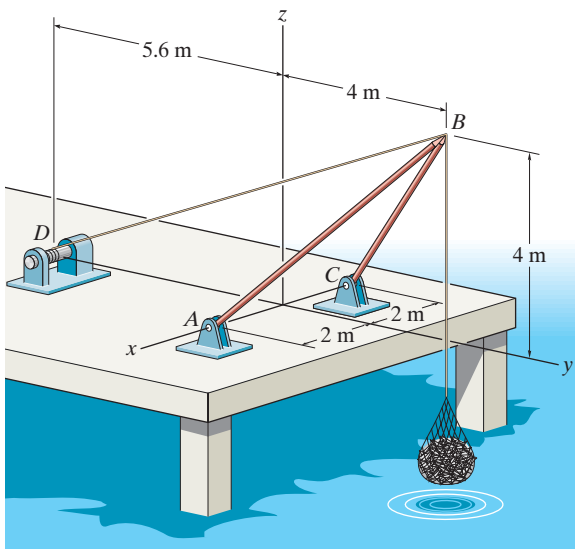
All problem solutions must include an FBD.

- 3-45.** Determine the tension in the cables in order to support the 100-kg crate in the equilibrium position shown.
- 3-46.** Determine the maximum mass of the crate so that the tension developed in any cable does not exceed 3 kN.



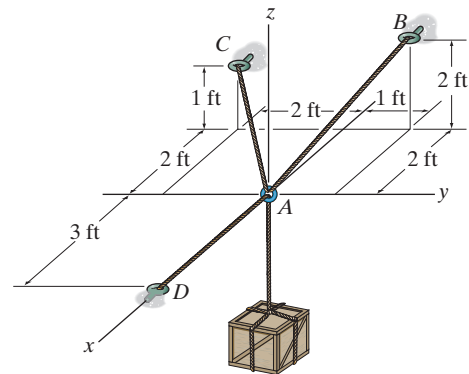
Probs. 3-45/46

- 3-47.** The shear leg derrick is used to haul the 200-kg net of fish onto the dock. Determine the compressive force along each of the legs AB and CB and the tension in the winch cable DB . Assume the force in each leg acts along its axis.



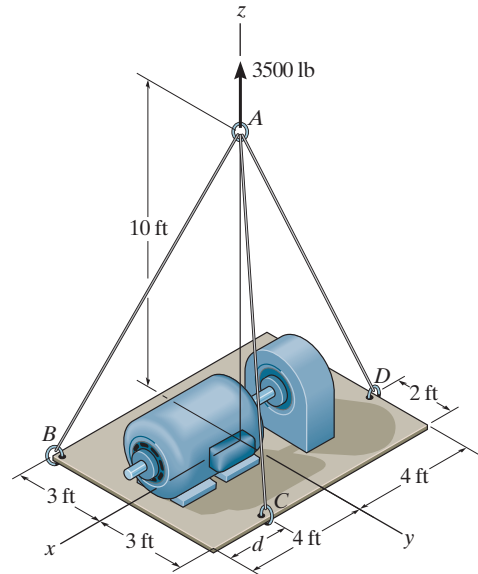
Prob. 3-47

- ***3-48.** Determine the tension developed in cables AB , AC , and AD required for equilibrium of the 300-lb crate.
- 3-49.** Determine the maximum weight of the crate so that the tension developed in any cable does not exceed 450 lb.



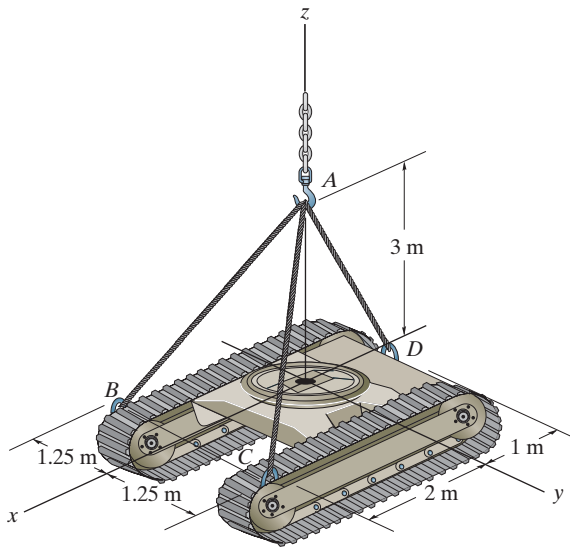
Probs. 3-48/49

- 3-50.** Determine the force in each cable needed to support the 3500-lb platform. Set $d = 2$ ft.
- 3-51.** Determine the force in each cable needed to support the 3500-lb platform. Set $d = 4$ ft.



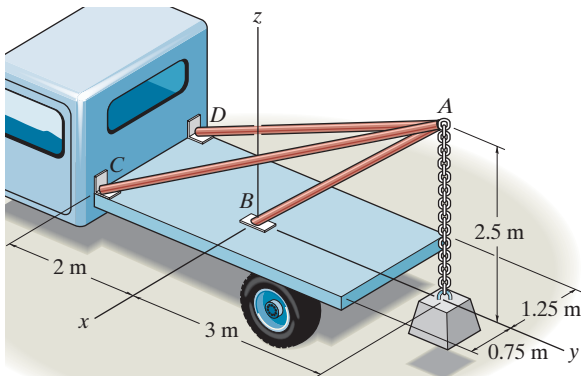
Probs. 3-50/51

***3-52.** Determine the force in each of the three cables needed to lift the tractor which has a mass of 8 Mg.



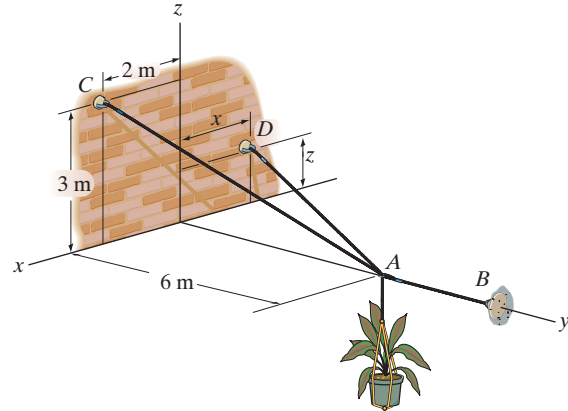
Prob. 3-52

•3-53. Determine the force acting along the axis of each of the three struts needed to support the 500-kg block.



Prob. 3-53

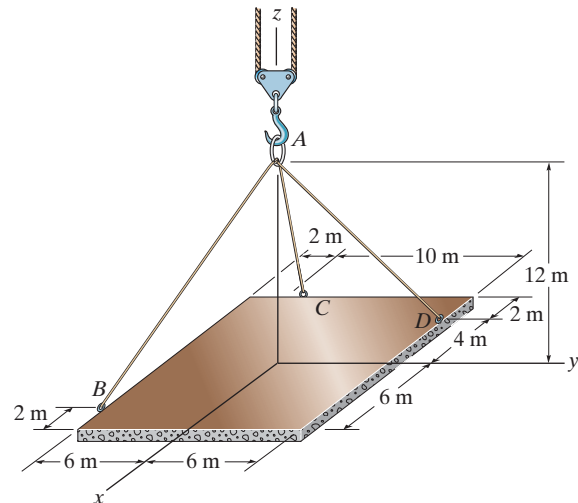
3-54. If the mass of the flowerpot is 50 kg, determine the tension developed in each wire for equilibrium. Set $x = 1.5$ m and $z = 2$ m.



Probs. 3-54/55

***3-56.** The ends of the three cables are attached to a ring at A and to the edge of a uniform 150-kg plate. Determine the tension in each of the cables for equilibrium.

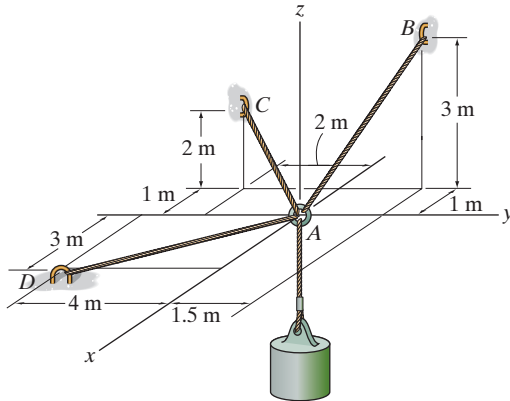
•3-57. The ends of the three cables are attached to a ring at A and to the edge of the uniform plate. Determine the largest mass the plate can have if each cable can support a maximum tension of 15 kN.



Probs. 3-56/57

3-58. Determine the tension developed in cables AB , AC , and AD required for equilibrium of the 75-kg cylinder.

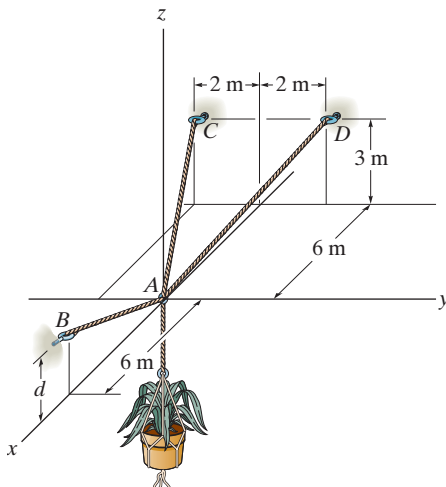
3-59. If each cable can withstand a maximum tension of 1000 N, determine the largest mass of the cylinder for equilibrium.



Probs. 3-58/59

***3-60.** The 50-kg pot is supported from A by the three cables. Determine the force acting in each cable for equilibrium. Take $d = 2.5$ m.

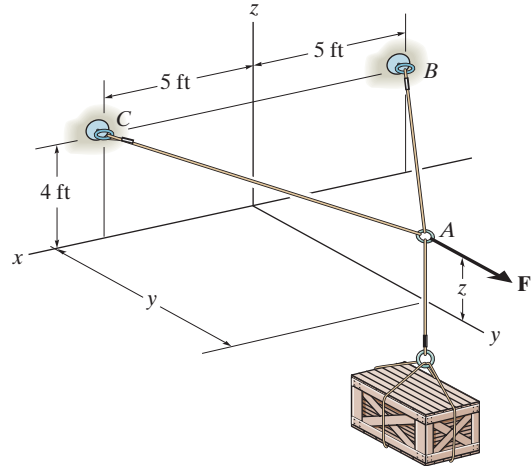
•3-61. Determine the height d of cable AB so that the force in cables AD and AC is one-half as great as the force in cable AB . What is the force in each cable for this case? The flower pot has a mass of 50 kg.



Probs. 3-60/61

3-62. A force of $F = 100$ lb holds the 400-lb crate in equilibrium. Determine the coordinates $(0, y, z)$ of point A if the tension in cords AC and AB is 700 lb each.

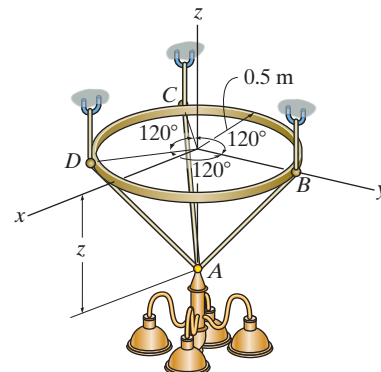
3-63. If the maximum allowable tension in cables AB and AC is 500 lb, determine the maximum height z to which the 200-lb crate can be lifted. What horizontal force F must be applied? Take $y = 8$ ft.



Probs. 3-62/63

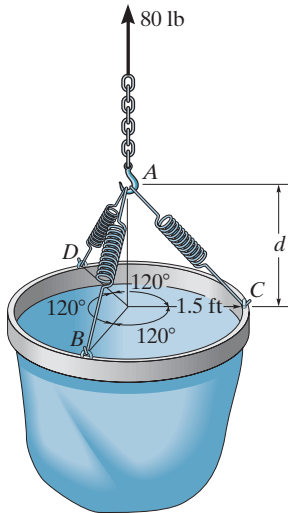
***3-64.** The thin ring can be adjusted vertically between three equally long cables from which the 100-kg chandelier is suspended. If the ring remains in the horizontal plane and $z = 600$ mm, determine the tension in each cable.

•3-65. The thin ring can be adjusted vertically between three equally long cables from which the 100-kg chandelier is suspended. If the tension in each cable is not allowed to exceed 1 kN, determine the smallest allowable distance z required for equilibrium.



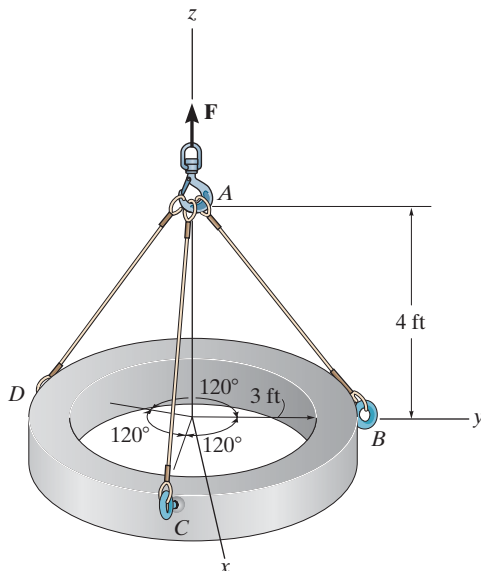
Probs. 3-64/65

3-66. The bucket has a weight of 80 lb and is being hoisted using three springs, each having an unstretched length of $l_0 = 1.5$ ft and stiffness of $k = 50$ lb/ft. Determine the vertical distance d from the rim to point A for equilibrium.



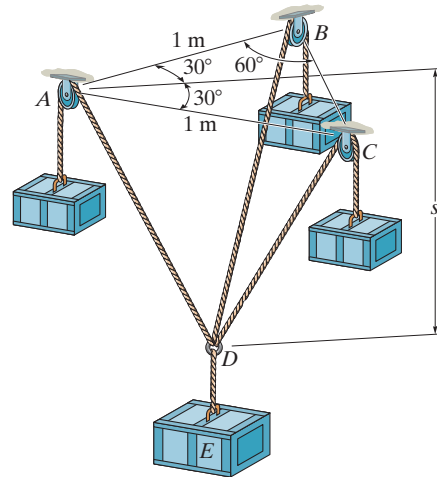
Prob. 3-66

3-67. Three cables are used to support a 900-lb ring. Determine the tension in each cable for equilibrium.



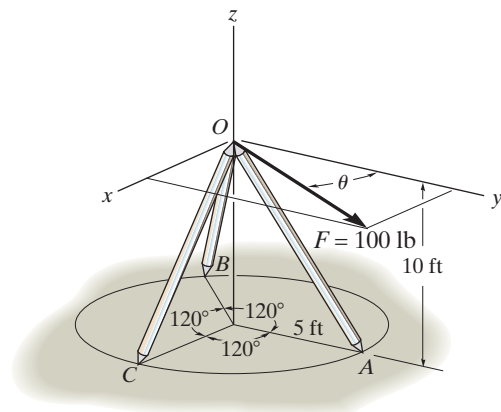
Prob. 3-67

***3-68.** The three outer blocks each have a mass of 2 kg, and the central block E has a mass of 3 kg. Determine the sag s for equilibrium of the system.



Prob. 3-68

***3-69.** Determine the angle θ such that an equal force is developed in legs OB and OC . What is the force in each leg if the force is directed along the axis of each leg? The force \mathbf{F} lies in the x - y plane. The supports at A, B, C can exert forces in either direction along the attached legs.



Prob. 3-69

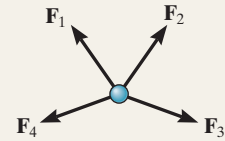
CHAPTER REVIEW

Particle Equilibrium

When a particle is at rest or moves with constant velocity, it is in equilibrium. This requires that all the forces acting on the particle form a zero resultant force.

In order to account for all the forces that act on a particle, it is necessary to draw its free-body diagram. This diagram is an outlined shape of the particle that shows all the forces listed with their known or unknown magnitudes and directions.

$$\mathbf{F}_R = \Sigma \mathbf{F} = \mathbf{0}$$



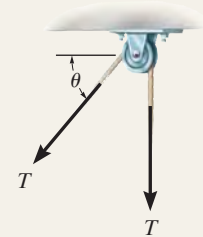
Two Dimensions

The two scalar equations of force equilibrium can be applied with reference to an established x, y coordinate system.

The tensile force developed in a *continuous cable* that passes over a frictionless pulley must have a *constant* magnitude throughout the cable to keep the cable in equilibrium.

If the problem involves a linearly elastic spring, then the stretch or compression s of the spring can be related to the force applied to it.

$$\begin{aligned}\Sigma F_x &= 0 \\ \Sigma F_y &= 0\end{aligned}$$



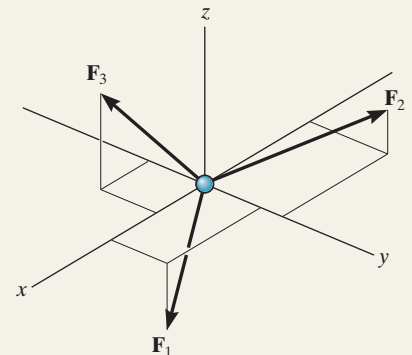
Cable is in tension

$$F = ks$$

Three Dimensions

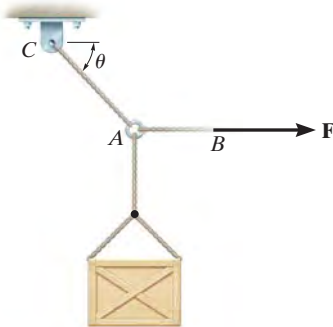
If the three-dimensional geometry is difficult to visualize, then the equilibrium equation should be applied using a Cartesian vector analysis. This requires first expressing each force on the free-body diagram as a Cartesian vector. When the forces are summed and set equal to zero, then the \mathbf{i} , \mathbf{j} , and \mathbf{k} components are also zero.

$$\begin{aligned}\Sigma \mathbf{F} &= \mathbf{0} \\ \Sigma F_x &= 0 \\ \Sigma F_y &= 0 \\ \Sigma F_z &= 0\end{aligned}$$



REVIEW PROBLEMS

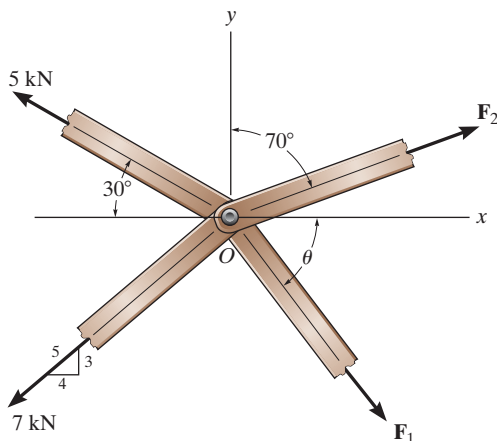
3-70. The 500-lb crate is hoisted using the ropes AB and AC . Each rope can withstand a maximum tension of 2500 lb before it breaks. If AB always remains horizontal, determine the smallest angle θ to which the crate can be hoisted.



Prob. 3-70

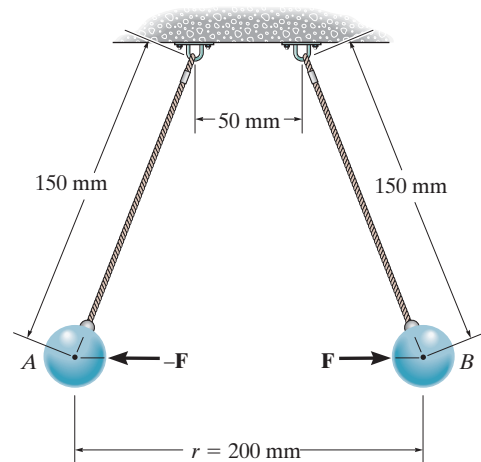
3-71. The members of a truss are pin connected at joint O . Determine the magnitude of \mathbf{F}_1 and its angle θ for equilibrium. Set $F_2 = 6$ kN.

***3-72.** The members of a truss are pin connected at joint O . Determine the magnitudes of \mathbf{F}_1 and \mathbf{F}_2 for equilibrium. Set $\theta = 60^\circ$.



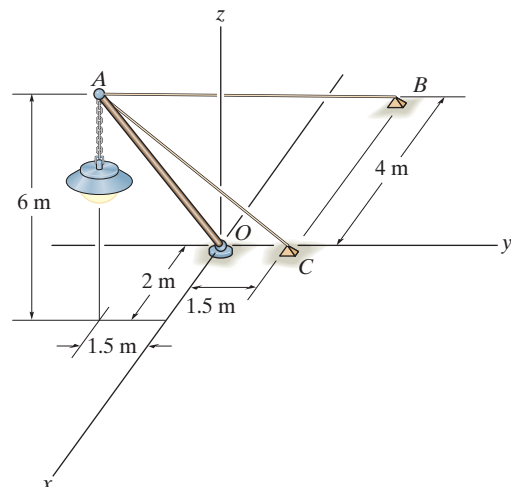
Prob. 3-71/72

•3-73. Two electrically charged pith balls, each having a mass of 0.15 g, are suspended from light threads of equal length. Determine the magnitude of the horizontal repulsive force, F , acting on each ball if the measured distance between them is $r = 200$ mm.



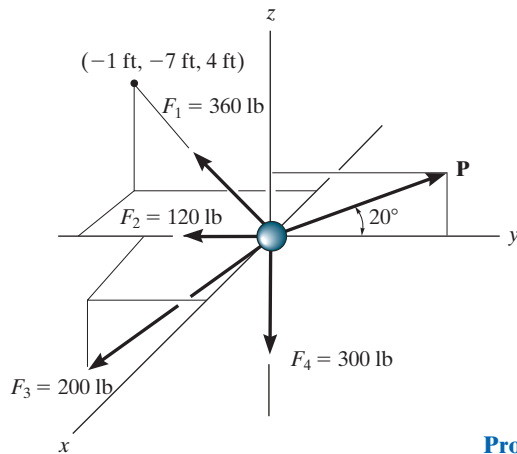
Prob. 3-73

3-74. The lamp has a mass of 15 kg and is supported by a pole AO and cables AB and AC . If the force in the pole acts along its axis, determine the forces in AO , AB , and AC for equilibrium.



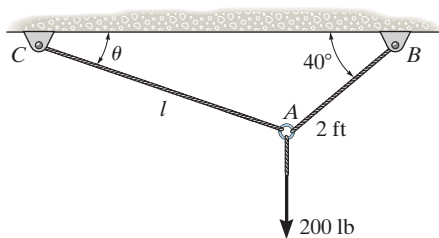
Prob. 3-74

3-75. Determine the magnitude of \mathbf{P} and the coordinate direction angles of \mathbf{F}_3 required for equilibrium of the particle. Note that \mathbf{F}_3 acts in the octant shown.



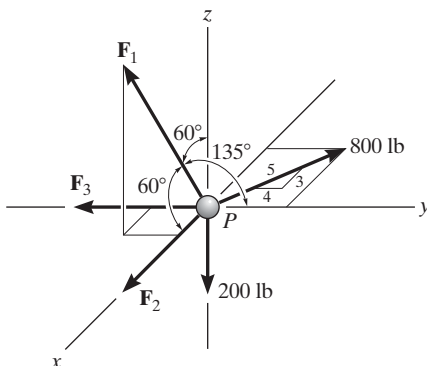
Prob. 3-75

***3-76.** The ring of negligible size is subjected to a vertical force of 200 lb. Determine the longest length l of cord AC such that the tension acting in AC is 160 lb. Also, what is the force acting in cord AB ? *Hint:* Use the equilibrium condition to determine the required angle θ for attachment, then determine l using trigonometry applied to $\triangle ABC$.



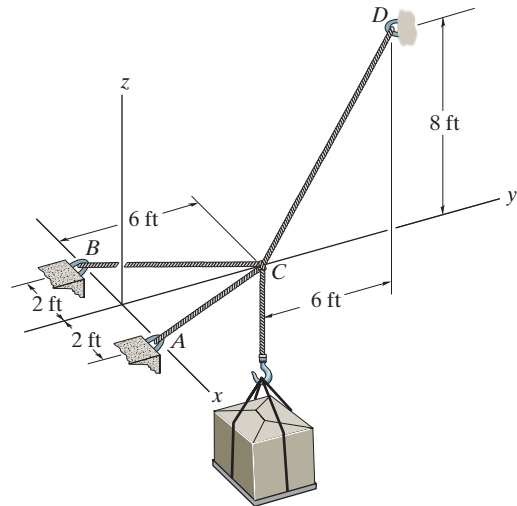
Prob. 3-76

•3-77. Determine the magnitudes of \mathbf{F}_1 , \mathbf{F}_2 , and \mathbf{F}_3 for equilibrium of the particle.



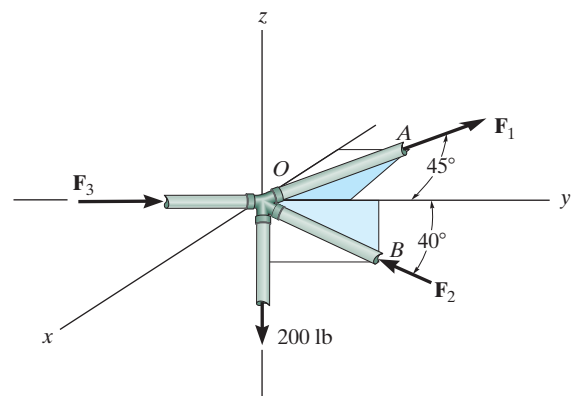
Prob. 3-77

3-78. Determine the force in each cable needed to support the 500-lb load.



Prob. 3-78

3-79. The joint of a space frame is subjected to four member forces. Member OA lies in the x - y plane and member OB lies in the y - z plane. Determine the forces acting in each of the members required for equilibrium of the joint.



Prob. 3-79



Application of forces to the handles of these wrenches will produce a tendency to rotate each wrench about its end. It is important to know how to calculate this effect and, in some cases, to be able to simplify this system to its resultants.

Force System Resultants

4

CHAPTER OBJECTIVES

- To discuss the concept of the moment of a force and show how to calculate it in two and three dimensions.
- To provide a method for finding the moment of a force about a specified axis.
- To define the moment of a couple.
- To present methods for determining the resultants of nonconcurrent force systems.
- To indicate how to reduce a simple distributed loading to a resultant force having a specified location.

4.1 Moment of a Force—Scalar Formulation

When a force is applied to a body it will produce a tendency for the body to rotate about a point that is not on the line of action of the force. This tendency to rotate is sometimes called a *torque*, but most often it is called the moment of a force or simply the *moment*. For example, consider a wrench used to unscrew the bolt in Fig. 4–1a. If a force is applied to the handle of the wrench it will tend to turn the bolt about point O (or the z axis). The magnitude of the moment is directly proportional to the magnitude of \mathbf{F} and the perpendicular distance or *moment arm* d . The larger the force or the longer the moment arm, the greater the moment or turning effect. Note that if the force \mathbf{F} is applied at an angle $\theta \neq 90^\circ$, Fig. 4–1b, then it will be more difficult to turn the bolt since the moment arm $d' = d \sin \theta$ will be smaller than d . If \mathbf{F} is applied along the wrench, Fig. 4–1c, its moment arm will be zero since the line of action of \mathbf{F} will intersect point O (the z axis). As a result, the moment of \mathbf{F} about O is also zero and no turning can occur.

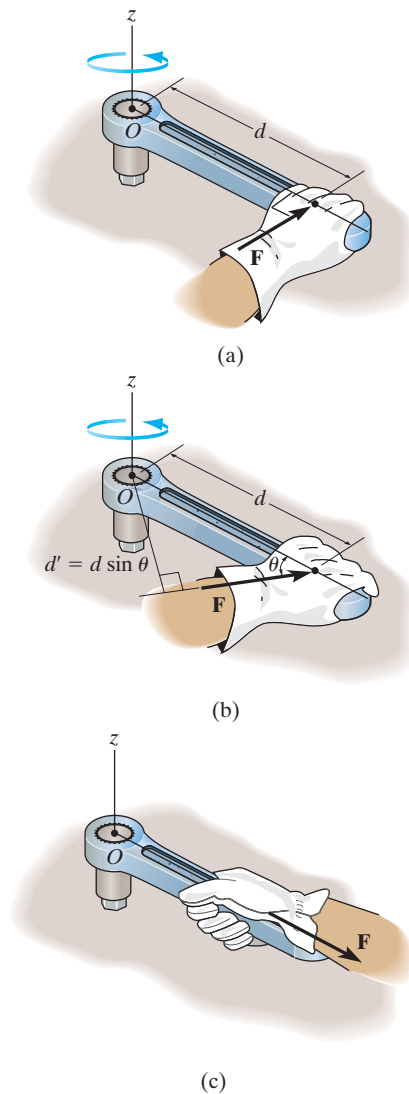


Fig. 4-1

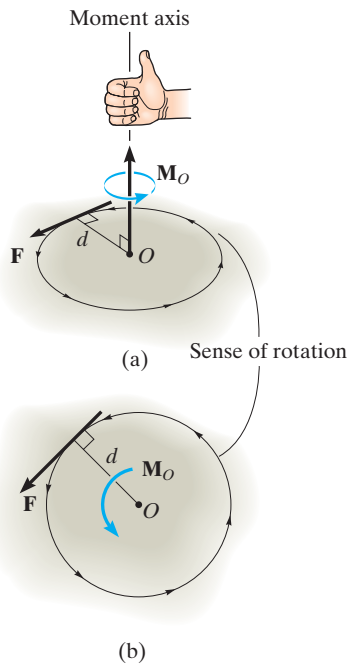


Fig. 4-2

We can generalize the above discussion and consider the force \mathbf{F} and point O which lie in the shaded plane as shown in Fig. 4-2a. The moment \mathbf{M}_O about point O , or about an axis passing through O and perpendicular to the plane, is a *vector quantity* since it has a specified magnitude and direction.

Magnitude. The magnitude of \mathbf{M}_O is

$$M_O = Fd \quad (4-1)$$

where d is the *moment arm* or *perpendicular distance* from the axis at point O to the line of action of the force. Units of moment magnitude consist of force times distance, e.g., $\text{N} \cdot \text{m}$ or $\text{lb} \cdot \text{ft}$.

Direction. The direction of \mathbf{M}_O is defined by its *moment axis*, which is perpendicular to the plane that contains the force \mathbf{F} and its moment arm d . The right-hand rule is used to establish the sense of direction of \mathbf{M}_O . According to this rule, the natural curl of the fingers of the right hand, as they are drawn towards the palm, represent the tendency for rotation caused by the moment. As this action is performed, the thumb of the right hand will give the directional sense of \mathbf{M}_O , Fig. 4-2a. Notice that the moment vector is represented three-dimensionally by a curl around an arrow. In two dimensions this vector is represented only by the curl as in Fig. 4-2b. Since in this case the moment will tend to cause a counterclockwise rotation, the moment vector is actually directed out of the page.

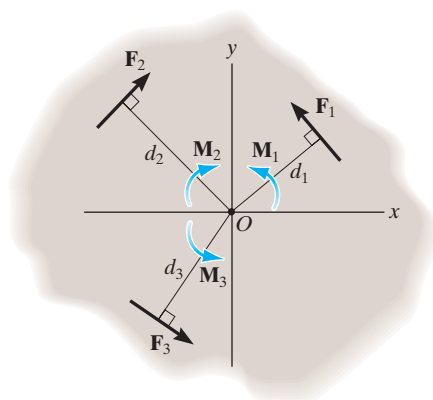


Fig. 4-3

Resultant Moment. For two-dimensional problems, where all the forces lie within the x - y plane, Fig. 4-3, the resultant moment $(\mathbf{M}_R)_O$ about point O (the z axis) can be determined by *finding the algebraic sum* of the moments caused by all the forces in the system. As a convention, we will generally consider *positive moments* as *counterclockwise* since they are directed along the positive z axis (out of the page). *Clockwise moments* will be *negative*. Doing this, the directional sense of each moment can be represented by a *plus* or *minus* sign. Using this sign convention, the resultant moment in Fig. 4-3 is therefore

$$\curvearrowright + (\mathbf{M}_R)_O = \Sigma Fd; \quad (\mathbf{M}_R)_O = F_1d_1 - F_2d_2 + F_3d_3$$

If the numerical result of this sum is a positive scalar, $(\mathbf{M}_R)_O$ will be a counterclockwise moment (out of the page); and if the result is negative, $(\mathbf{M}_R)_O$ will be a clockwise moment (into the page).

EXAMPLE 4.1

For each case illustrated in Fig. 4–4, determine the moment of the force about point O .

SOLUTION (SCALAR ANALYSIS)

The line of action of each force is extended as a dashed line in order to establish the moment arm d . Also illustrated is the tendency of rotation of the member as caused by the force. Furthermore, the orbit of the force about O is shown as a colored curl. Thus,

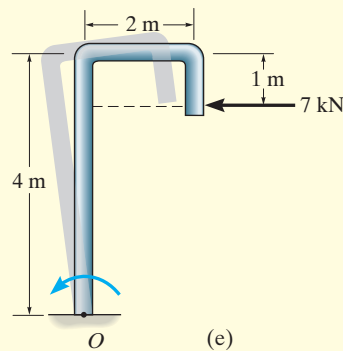
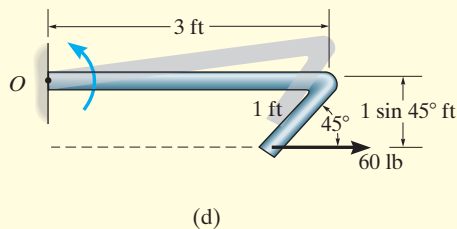
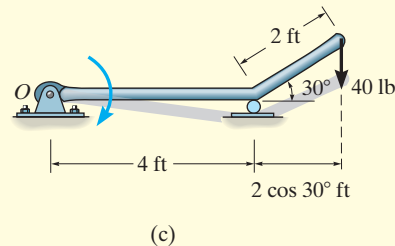
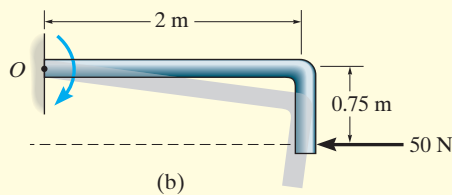
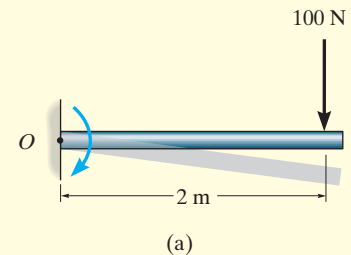
$$\text{Fig. 4-4a} \quad M_O = (100 \text{ N})(2 \text{ m}) = 200 \text{ N} \cdot \text{m} \curvearrowright \quad \text{Ans.}$$

$$\text{Fig. 4-4b} \quad M_O = (50 \text{ N})(0.75 \text{ m}) = 37.5 \text{ N} \cdot \text{m} \curvearrowright \quad \text{Ans.}$$

$$\text{Fig. 4-4c} \quad M_O = (40 \text{ lb})(4 \text{ ft} + 2 \cos 30^\circ \text{ ft}) = 229 \text{ lb} \cdot \text{ft} \curvearrowright \quad \text{Ans.}$$

$$\text{Fig. 4-4d} \quad M_O = (60 \text{ lb})(1 \sin 45^\circ \text{ ft}) = 42.4 \text{ lb} \cdot \text{ft} \curvearrowleft \quad \text{Ans.}$$

$$\text{Fig. 4-4e} \quad M_O = (7 \text{ kN})(4 \text{ m} - 1 \text{ m}) = 21.0 \text{ kN} \cdot \text{m} \curvearrowleft \quad \text{Ans.}$$

**Fig. 4–4**

EXAMPLE 4.2

Determine the resultant moment of the four forces acting on the rod shown in Fig. 4-5 about point O .

SOLUTION

Assuming that positive moments act in the $+k$ direction, i.e., counterclockwise, we have

$$\zeta + M_{R_o} = \Sigma Fd;$$

$$M_{R_o} = -50 \text{ N}(2 \text{ m}) + 60 \text{ N}(0) + 20 \text{ N}(3 \sin 30^\circ \text{ m}) \\ - 40 \text{ N}(4 \text{ m} + 3 \cos 30^\circ \text{ m})$$

$$M_{R_o} = -334 \text{ N} \cdot \text{m} = 334 \text{ N} \cdot \text{m} \curvearrowright$$

Ans.

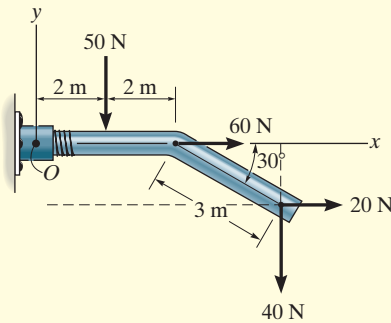
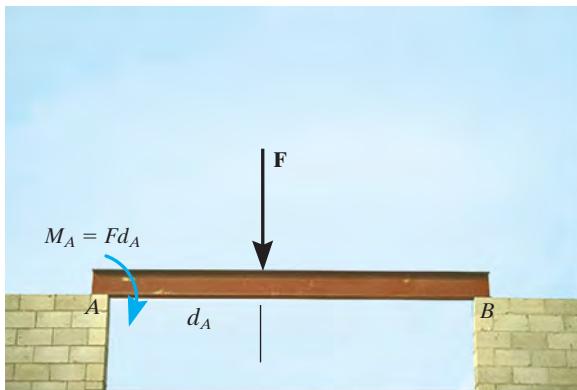
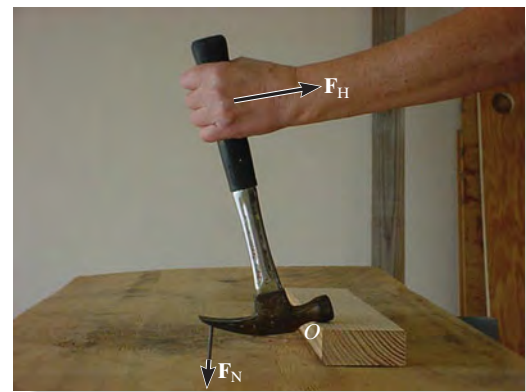


Fig. 4-5

For this calculation, note how the moment-arm distances for the 20-N and 40-N forces are established from the extended (dashed) lines of action of each of these forces.



As illustrated by the example problems, the moment of a force does not always cause a rotation. For example, the force \mathbf{F} tends to rotate the beam clockwise about its support at A with a moment $M_A = Fd_A$. The actual rotation would occur if the support at B were removed.



The ability to remove the nail will require the moment of \mathbf{F}_H about point O to be larger than the moment of the force \mathbf{F}_N about O that is needed to pull the nail out.

4.2 Cross Product

The moment of a force will be formulated using Cartesian vectors in the next section. Before doing this, however, it is first necessary to expand our knowledge of vector algebra and introduce the cross-product method of vector multiplication.

The *cross product* of two vectors \mathbf{A} and \mathbf{B} yields the vector \mathbf{C} , which is written

$$\mathbf{C} = \mathbf{A} \times \mathbf{B} \quad (4-2)$$

and is read “ \mathbf{C} equals \mathbf{A} cross \mathbf{B} .”

Magnitude. The *magnitude* of \mathbf{C} is defined as the product of the magnitudes of \mathbf{A} and \mathbf{B} and the sine of the angle θ between their tails ($0^\circ \leq \theta \leq 180^\circ$). Thus, $C = AB \sin \theta$.

Direction. Vector \mathbf{C} has a *direction* that is perpendicular to the plane containing \mathbf{A} and \mathbf{B} such that \mathbf{C} is specified by the right-hand rule; i.e., curling the fingers of the right hand from vector \mathbf{A} (cross) to vector \mathbf{B} , the thumb points in the direction of \mathbf{C} , as shown in Fig. 4-6.

Knowing both the magnitude and direction of \mathbf{C} , we can write

$$\mathbf{C} = \mathbf{A} \times \mathbf{B} = (AB \sin \theta) \mathbf{u}_C \quad (4-3)$$

where the scalar $AB \sin \theta$ defines the *magnitude* of \mathbf{C} and the unit vector \mathbf{u}_C defines the *direction* of \mathbf{C} . The terms of Eq. 4-3 are illustrated graphically in Fig. 4-6.

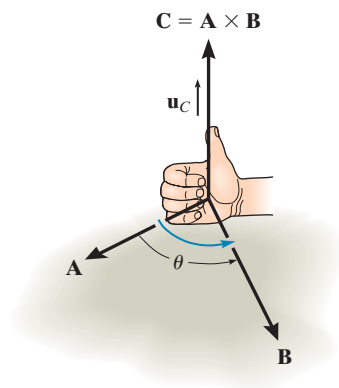


Fig. 4-6

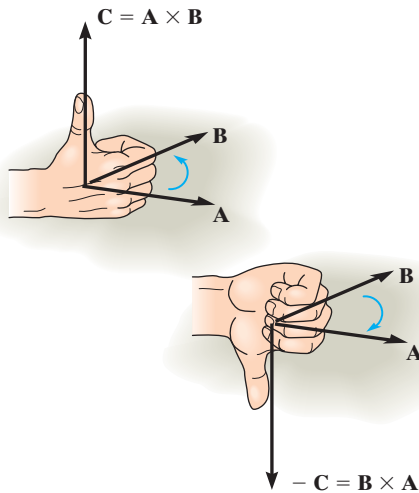


Fig. 4-7

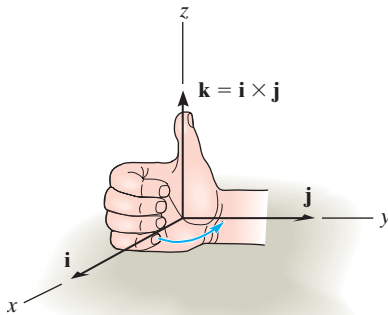


Fig. 4-8

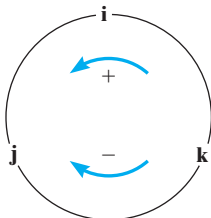


Fig. 4-9

Laws of Operation.

- The commutative law is *not* valid; i.e., $\mathbf{A} \times \mathbf{B} \neq \mathbf{B} \times \mathbf{A}$. Rather,

$$\mathbf{A} \times \mathbf{B} = -\mathbf{B} \times \mathbf{A}$$

This is shown in Fig. 4-7 by using the right-hand rule. The cross product $\mathbf{B} \times \mathbf{A}$ yields a vector that has the same magnitude but acts in the opposite direction to \mathbf{C} ; i.e., $\mathbf{B} \times \mathbf{A} = -\mathbf{C}$.

- If the cross product is multiplied by a scalar a , it obeys the associative law;

$$a(\mathbf{A} \times \mathbf{B}) = (a\mathbf{A}) \times \mathbf{B} = \mathbf{A} \times (a\mathbf{B}) = (\mathbf{A} \times \mathbf{B})a$$

This property is easily shown since the magnitude of the resultant vector ($|a|AB \sin \theta$) and its direction are the same in each case.

- The vector cross product also obeys the distributive law of addition,

$$\mathbf{A} \times (\mathbf{B} + \mathbf{D}) = (\mathbf{A} \times \mathbf{B}) + (\mathbf{A} \times \mathbf{D})$$

- The proof of this identity is left as an exercise (see Prob. 4-1). It is important to note that *proper order* of the cross products must be maintained, since they are not commutative.

Cartesian Vector Formulation. Equation 4-3 may be used to find the cross product of any pair of Cartesian unit vectors. For example, to find $\mathbf{i} \times \mathbf{j}$, the magnitude of the resultant vector is $(i)(j)(\sin 90^\circ) = (1)(1)(1) = 1$, and its direction is determined using the right-hand rule. As shown in Fig. 4-8, the resultant vector points in the $+\mathbf{k}$ direction. Thus, $\mathbf{i} \times \mathbf{j} = (1)\mathbf{k}$. In a similar manner,

$$\begin{aligned} \mathbf{i} \times \mathbf{j} &= \mathbf{k} & \mathbf{i} \times \mathbf{k} &= -\mathbf{j} & \mathbf{i} \times \mathbf{i} &= \mathbf{0} \\ \mathbf{j} \times \mathbf{k} &= \mathbf{i} & \mathbf{j} \times \mathbf{i} &= -\mathbf{k} & \mathbf{j} \times \mathbf{j} &= \mathbf{0} \\ \mathbf{k} \times \mathbf{i} &= \mathbf{j} & \mathbf{k} \times \mathbf{j} &= -\mathbf{i} & \mathbf{k} \times \mathbf{k} &= \mathbf{0} \end{aligned}$$

These results should *not* be memorized; rather, it should be clearly understood how each is obtained by using the right-hand rule and the definition of the cross product. A simple scheme shown in Fig. 4-9 is helpful for obtaining the same results when the need arises. If the circle is constructed as shown, then “crossing” two unit vectors in a *counterclockwise* fashion around the circle yields the *positive* third unit vector; e.g., $\mathbf{k} \times \mathbf{i} = \mathbf{j}$. “Crossing” *clockwise*, a *negative* unit vector is obtained; e.g., $\mathbf{i} \times \mathbf{k} = -\mathbf{j}$.

Let us now consider the cross product of two general vectors \mathbf{A} and \mathbf{B} which are expressed in Cartesian vector form. We have

$$\begin{aligned}\mathbf{A} \times \mathbf{B} &= (A_x \mathbf{i} + A_y \mathbf{j} + A_z \mathbf{k}) \times (B_x \mathbf{i} + B_y \mathbf{j} + B_z \mathbf{k}) \\ &= A_x B_x (\mathbf{i} \times \mathbf{i}) + A_x B_y (\mathbf{i} \times \mathbf{j}) + A_x B_z (\mathbf{i} \times \mathbf{k}) \\ &\quad + A_y B_x (\mathbf{j} \times \mathbf{i}) + A_y B_y (\mathbf{j} \times \mathbf{j}) + A_y B_z (\mathbf{j} \times \mathbf{k}) \\ &\quad + A_z B_x (\mathbf{k} \times \mathbf{i}) + A_z B_y (\mathbf{k} \times \mathbf{j}) + A_z B_z (\mathbf{k} \times \mathbf{k})\end{aligned}$$

Carrying out the cross-product operations and combining terms yields

$$\mathbf{A} \times \mathbf{B} = (A_y B_z - A_z B_y) \mathbf{i} - (A_x B_z - A_z B_x) \mathbf{j} + (A_x B_y - A_y B_x) \mathbf{k} \quad (4-4)$$

This equation may also be written in a more compact determinant form as

$$\mathbf{A} \times \mathbf{B} = \begin{vmatrix} \mathbf{i} & \mathbf{j} & \mathbf{k} \\ A_x & A_y & A_z \\ B_x & B_y & B_z \end{vmatrix} \quad (4-5)$$

Thus, to find the cross product of any two Cartesian vectors \mathbf{A} and \mathbf{B} , it is necessary to expand a determinant whose first row of elements consists of the unit vectors \mathbf{i} , \mathbf{j} , and \mathbf{k} and whose second and third rows represent the x , y , z components of the two vectors \mathbf{A} and \mathbf{B} , respectively.*

*A determinant having three rows and three columns can be expanded using three minors, each of which is multiplied by one of the three terms in the first row. There are four elements in each minor, for example,

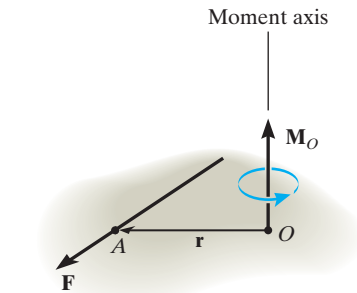
$$\begin{vmatrix} A_{11} & A_{12} \\ A_{21} & A_{22} \end{vmatrix}$$

By *definition*, this determinant notation represents the terms $(A_{11}A_{22} - A_{12}A_{21})$, which is simply the product of the two elements intersected by the arrow slanting downward to the right ($A_{11}A_{22}$) *minus* the product of the two elements intersected by the arrow slanting downward to the left ($A_{12}A_{21}$). For a 3×3 determinant, such as Eq. 4-5, the three minors can be generated in accordance with the following scheme:

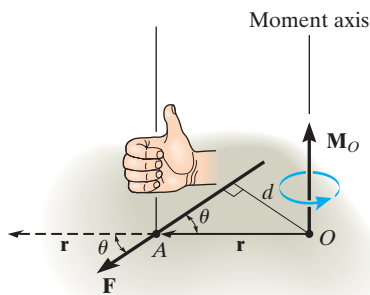
$$\begin{aligned}\text{For element } \mathbf{i}: & \begin{vmatrix} \oplus & \mathbf{j} & \mathbf{k} \\ A_x & A_y & A_z \\ B_x & B_y & B_z \end{vmatrix} = \mathbf{i}(A_y B_z - A_z B_y) \\ \text{For element } \mathbf{j}: & \begin{vmatrix} \mathbf{i} & \oplus & \mathbf{k} \\ A_x & A_y & A_z \\ B_x & B_y & B_z \end{vmatrix} = -\mathbf{j}(A_x B_z - A_z B_x) \\ \text{For element } \mathbf{k}: & \begin{vmatrix} \mathbf{i} & \mathbf{j} & \oplus \\ A_x & A_y & A_z \\ B_x & B_y & B_z \end{vmatrix} = \mathbf{k}(A_x B_y - A_y B_x)\end{aligned}$$

Remember the negative sign

Adding the results and noting that the \mathbf{j} element *must include the minus sign* yields the expanded form of $\mathbf{A} \times \mathbf{B}$ given by Eq. 4-4.



(a)



(b)

Fig. 4-10

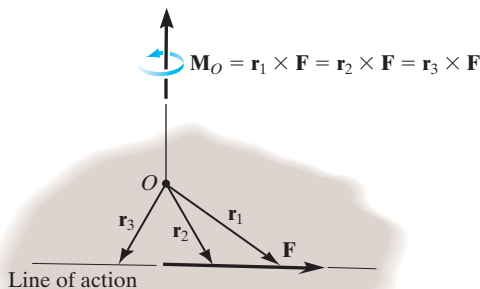


Fig. 4-11

4.3 Moment of a Force—Vector Formulation

The moment of a force \mathbf{F} about point O , or actually about the moment axis passing through O and perpendicular to the plane containing O and \mathbf{F} , Fig. 4-10a, can be expressed using the vector cross product, namely,

$$\mathbf{M}_O = \mathbf{r} \times \mathbf{F} \quad (4-6)$$

Here \mathbf{r} represents a position vector directed from O to any point on the line of action of \mathbf{F} . We will now show that indeed the moment \mathbf{M}_O , when determined by this cross product, has the proper magnitude and direction.

Magnitude. The magnitude of the cross product is defined from Eq. 4-3 as $M_O = rF \sin \theta$, where the angle θ is measured between the tails of \mathbf{r} and \mathbf{F} . To establish this angle, \mathbf{r} must be treated as a sliding vector so that θ can be constructed properly, Fig. 4-10b. Since the moment arm $d = r \sin \theta$, then

$$M_O = rF \sin \theta = F(r \sin \theta) = Fd$$

which agrees with Eq. 4-1.

Direction. The direction and sense of \mathbf{M}_O in Eq. 4-6 are determined by the right-hand rule as it applies to the cross product. Thus, sliding \mathbf{r} to the dashed position and curling the right-hand fingers from \mathbf{r} toward \mathbf{F} , “ \mathbf{r} cross \mathbf{F} ,” the thumb is directed upward or perpendicular to the plane containing \mathbf{r} and \mathbf{F} and this is in the *same direction* as \mathbf{M}_O , the moment of the force about point O , Fig. 4-10b. Note that the “curl” of the fingers, like the curl around the moment vector, indicates the sense of rotation caused by the force. Since the cross product does not obey the commutative law, the order of $\mathbf{r} \times \mathbf{F}$ must be maintained to produce the correct sense of direction for \mathbf{M}_O .

Principle of Transmissibility. The cross product operation is often used in three dimensions since the perpendicular distance or moment arm from point O to the line of action of the force is not needed. In other words, we can use any position vector \mathbf{r} measured from point O to any point on the line of action of the force \mathbf{F} , Fig. 4-11. Thus,

$$\mathbf{M}_O = \mathbf{r}_1 \times \mathbf{F} = \mathbf{r}_2 \times \mathbf{F} = \mathbf{r}_3 \times \mathbf{F}$$

Since \mathbf{F} can be applied at any point along its line of action and still create this *same moment* about point O , then \mathbf{F} can be considered a *sliding vector*. This property is called the *principle of transmissibility* of a force.

Cartesian Vector Formulation. If we establish x, y, z coordinate axes, then the position vector \mathbf{r} and force \mathbf{F} can be expressed as Cartesian vectors, Fig. 4–12a. Applying Eq. 4–5 we have

$$\mathbf{M}_O = \mathbf{r} \times \mathbf{F} = \begin{vmatrix} \mathbf{i} & \mathbf{j} & \mathbf{k} \\ r_x & r_y & r_z \\ F_x & F_y & F_z \end{vmatrix} \quad (4-7)$$

where

r_x, r_y, r_z represent the x, y, z components of the position vector drawn from point O to *any point* on the line of action of the force

F_x, F_y, F_z represent the x, y, z components of the force vector

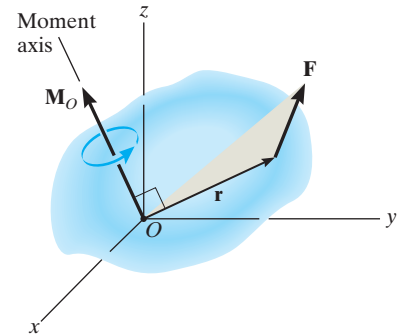
If the determinant is expanded, then like Eq. 4–4 we have

$$\mathbf{M}_O = (r_y F_z - r_z F_y)\mathbf{i} - (r_x F_z - r_z F_x)\mathbf{j} + (r_x F_y - r_y F_x)\mathbf{k} \quad (4-8)$$

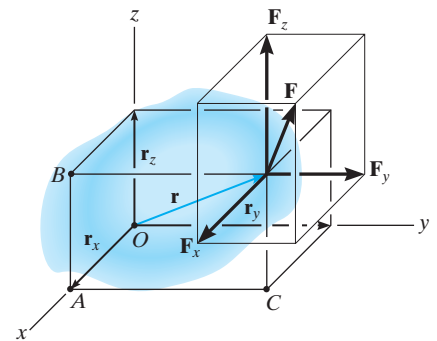
The physical meaning of these three moment components becomes evident by studying Fig. 4–12b. For example, the \mathbf{i} component of \mathbf{M}_O can be determined from the moments of $\mathbf{F}_x, \mathbf{F}_y,$ and \mathbf{F}_z about the x axis. The component \mathbf{F}_x does *not* create a moment or tendency to cause turning about the x axis since this force is *parallel* to the x axis. The line of action of \mathbf{F}_y passes through point B , and so the magnitude of the moment of \mathbf{F}_y about point A on the x axis is $r_z F_y$. By the right-hand rule this component acts in the *negative* \mathbf{i} direction. Likewise, \mathbf{F}_z passes through point C and so it contributes a moment component of $r_y F_z \mathbf{i}$ about the axis. Thus, $(M_O)_x = (r_y F_z - r_z F_y)$ as shown in Eq. 4–8. As an exercise, establish the \mathbf{j} and \mathbf{k} components of \mathbf{M}_O in this manner, Eq. 4–8, represents the moment of \mathbf{F} about point O . Once \mathbf{M}_O is determined, realize that it will always be *perpendicular* to the shaded plane containing vectors \mathbf{r} and \mathbf{F} , Fig. 4–12a.

Resultant Moment of a System of Forces. If a body is acted upon by a system of forces, Fig. 4–13, the resultant moment of the forces about point O can be determined by vector addition of the moment of each force. This resultant can be written symbolically as

$$\mathbf{M}_{R_O} = \Sigma(\mathbf{r} \times \mathbf{F}) \quad (4-9)$$



(a)



(b)

Fig. 4-12

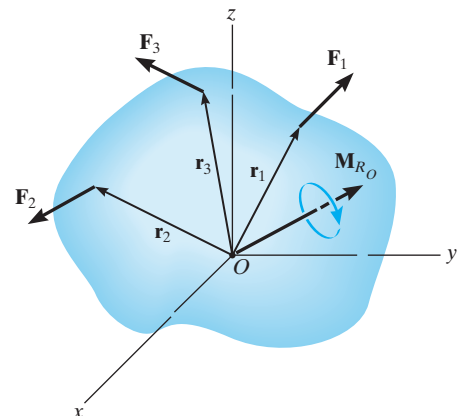
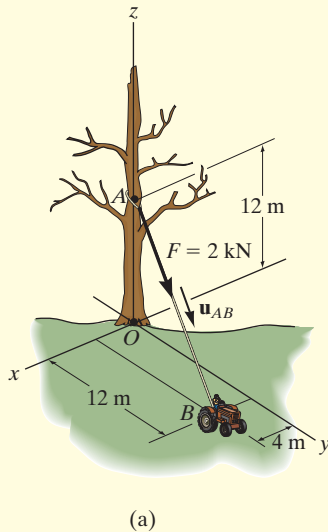


Fig. 4-13

EXAMPLE 4.3



Determine the moment produced by the force \mathbf{F} in Fig. 4–14a about point O . Express the result as a Cartesian vector.

SOLUTION

As shown in Fig. 4–14a, either \mathbf{r}_A or \mathbf{r}_B can be used to determine the moment about point O . These position vectors are

$$\mathbf{r}_A = \{12\mathbf{k}\} \text{ m} \quad \text{and} \quad \mathbf{r}_B = \{4\mathbf{i} + 12\mathbf{j}\} \text{ m}$$

Force \mathbf{F} expressed as a Cartesian vector is

$$\begin{aligned} \mathbf{F} &= F\mathbf{u}_{AB} = 2 \text{ kN} \left[\frac{\{4\mathbf{i} + 12\mathbf{j} - 12\mathbf{k}\} \text{ m}}{\sqrt{(4 \text{ m})^2 + (12 \text{ m})^2 + (-12 \text{ m})^2}} \right] \\ &= \{0.4588\mathbf{i} + 1.376\mathbf{j} - 1.376\mathbf{k}\} \text{ kN} \end{aligned}$$

Thus

$$\begin{aligned} \mathbf{M}_O &= \mathbf{r}_A \times \mathbf{F} = \begin{vmatrix} \mathbf{i} & \mathbf{j} & \mathbf{k} \\ 0 & 0 & 12 \\ 0.4588 & 1.376 & -1.376 \end{vmatrix} \\ &= [0(-1.376) - 12(1.376)]\mathbf{i} - [0(-1.376) - 12(0.4588)]\mathbf{j} \\ &\quad + [0(1.376) - 0(0.4588)]\mathbf{k} \\ &= \{-16.5\mathbf{i} + 5.51\mathbf{j}\} \text{ kN}\cdot\text{m} \end{aligned} \quad \text{Ans.}$$

or

$$\begin{aligned} \mathbf{M}_O &= \mathbf{r}_B \times \mathbf{F} = \begin{vmatrix} \mathbf{i} & \mathbf{j} & \mathbf{k} \\ 4 & 12 & 0 \\ 0.4588 & 1.376 & -1.376 \end{vmatrix} \\ &= [12(-1.376) - 0(1.376)]\mathbf{i} - [4(-1.376) - 0(0.4588)]\mathbf{j} \\ &\quad + [4(1.376) - 12(0.4588)]\mathbf{k} \\ &= \{-16.5\mathbf{i} + 5.51\mathbf{j}\} \text{ kN}\cdot\text{m} \end{aligned} \quad \text{Ans.}$$

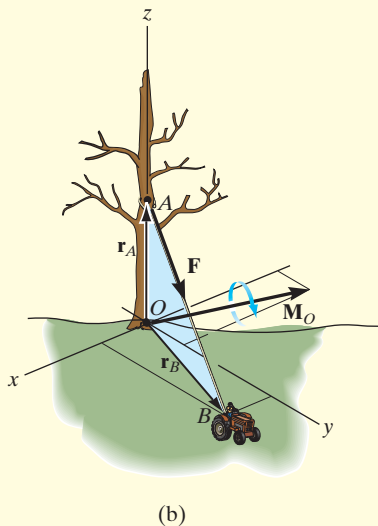
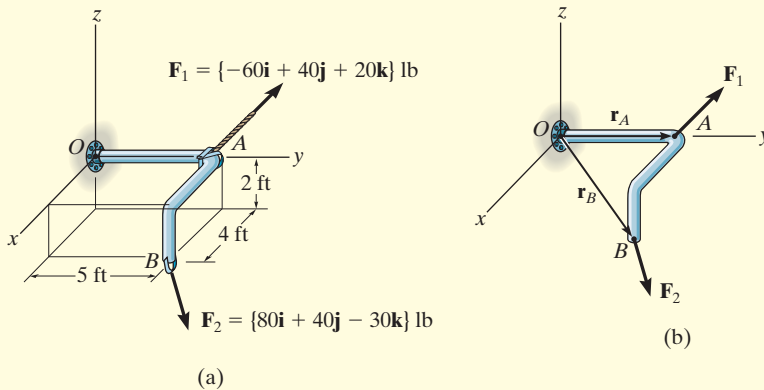


Fig. 4–14

NOTE: As shown in Fig. 4–14b, \mathbf{M}_O acts perpendicular to the plane that contains \mathbf{F} , \mathbf{r}_A , and \mathbf{r}_B . Had this problem been worked using $M_O = Fd$, notice the difficulty that would arise in obtaining the moment arm d .

EXAMPLE 4.4

Two forces act on the rod shown in Fig. 4–15*a*. Determine the resultant moment they create about the flange at O . Express the result as a Cartesian vector.

**SOLUTION**

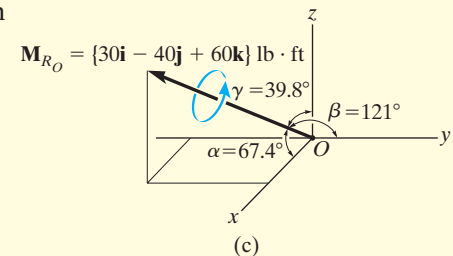
Position vectors are directed from point O to each force as shown in Fig. 4–15*b*. These vectors are

$$\mathbf{r}_A = \{5\mathbf{j}\} \text{ ft}$$

$$\mathbf{r}_B = \{4\mathbf{i} + 5\mathbf{j} - 2\mathbf{k}\} \text{ ft}$$

The resultant moment about O is therefore

$$\begin{aligned} \mathbf{M}_{R_O} &= \Sigma(\mathbf{r} \times \mathbf{F}) \\ &= \mathbf{r}_A \times \mathbf{F}_1 + \mathbf{r}_B \times \mathbf{F}_2 \\ &= \begin{vmatrix} \mathbf{i} & \mathbf{j} & \mathbf{k} \\ 0 & 5 & 0 \\ -60 & 40 & 20 \end{vmatrix} + \begin{vmatrix} \mathbf{i} & \mathbf{j} & \mathbf{k} \\ 4 & 5 & -2 \\ 80 & 40 & -30 \end{vmatrix} \\ &= [5(20) - 0(40)]\mathbf{i} - [0]\mathbf{j} + [0(40) - (5)(-60)]\mathbf{k} \\ &\quad + [5(-30) - (-2)(40)]\mathbf{i} - [4(-30) - (-2)(80)]\mathbf{j} + [4(40) - 5(80)]\mathbf{k} \\ &= \{30\mathbf{i} - 40\mathbf{j} + 60\mathbf{k}\} \text{ lb} \cdot \text{ft} \end{aligned}$$

**Fig. 4–15**

NOTE: This result is shown in Fig. 4–15*c*. The coordinate direction angles were determined from the unit vector for \mathbf{M}_{R_O} . Realize that the two forces tend to cause the rod to rotate about the moment axis in the manner shown by the curl indicated on the moment vector.

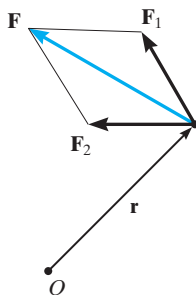


Fig 4-16

4.4 Principle of Moments

A concept often used in mechanics is the *principle of moments*, which is sometimes referred to as *Varignon's theorem* since it was originally developed by the French mathematician Varignon (1654–1722). It states that *the moment of a force about a point is equal to the sum of the moments of the components of the force about the point*. This theorem can be proven easily using the vector cross product since the cross product obeys the *distributive law*. For example, consider the moments of the force \mathbf{F} and two of its components about point O . Fig. 4-16. Since $\mathbf{F} = \mathbf{F}_1 + \mathbf{F}_2$ we have

$$\mathbf{M}_O = \mathbf{r} \times \mathbf{F} = \mathbf{r} \times (\mathbf{F}_1 + \mathbf{F}_2) = \mathbf{r} \times \mathbf{F}_1 + \mathbf{r} \times \mathbf{F}_2$$

For two-dimensional problems, Fig. 4-17, we can use the principle of moments by resolving the force into its rectangular components and then determine the moment using a scalar analysis. Thus,

$$M_O = F_x y - F_y x$$

This method is generally easier than finding the same moment using $M_O = Fd$.

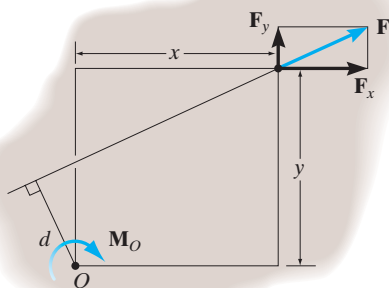
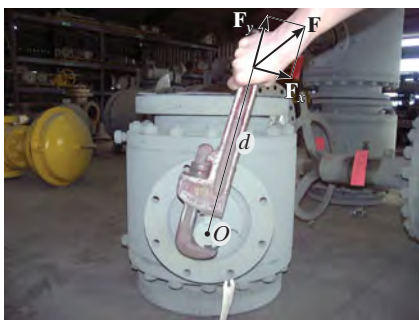


Fig. 4-17



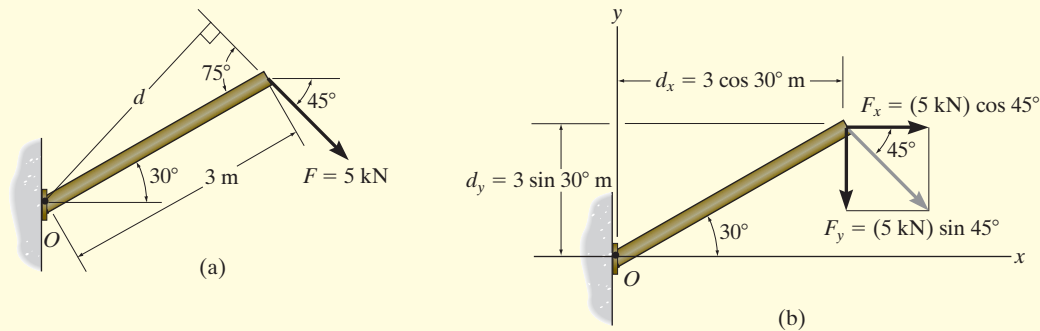
The moment of the applied force \mathbf{F} about point O is easy to determine if we use the principle of moments. It is simply $M_O = F_x d$.

Important Points

- The moment of a force creates the tendency of a body to turn about an axis passing through a specific point O .
- Using the right-hand rule, the sense of rotation is indicated by the curl of the fingers, and the thumb is directed along the moment axis, or line of action of the moment.
- The magnitude of the moment is determined from $M_O = Fd$, where d is called the moment arm, which represents the perpendicular or shortest distance from point O to the line of action of the force.
- In three dimensions the vector cross product is used to determine the moment, i.e., $\mathbf{M}_O = \mathbf{r} \times \mathbf{F}$. Remember that \mathbf{r} is directed from point O to any point on the line of action of \mathbf{F} .
- The principle of moments states that the moment of a force about a point is equal to the sum of the moments of the force's components about the point. This is a very convenient method to use in two dimensions.

EXAMPLE 4.5

Determine the moment of the force in Fig. 4–18a about point O .

**SOLUTION I**

The moment arm d in Fig. 4–18a can be found from trigonometry.

$$d = (3 \text{ m}) \sin 75^\circ = 2.898 \text{ m}$$

Thus,

$$M_O = Fd = (5 \text{ kN})(2.898 \text{ m}) = 14.5 \text{ kN} \cdot \text{m} \quad \text{Ans.}$$

Since the force tends to rotate or orbit clockwise about point O , the moment is directed into the page.

SOLUTION II

The x and y components of the force are indicated in Fig. 4–18b. Considering counterclockwise moments as positive, and applying the principle of moments, we have

$$\begin{aligned} \zeta + M_O &= -F_x d_y - F_y d_x \\ &= -(5 \cos 45^\circ \text{ kN})(3 \sin 30^\circ \text{ m}) - (5 \sin 45^\circ \text{ kN})(3 \cos 30^\circ \text{ m}) \\ &= -14.5 \text{ kN} \cdot \text{m} = 14.5 \text{ kN} \cdot \text{m} \quad \text{Ans.} \end{aligned}$$

SOLUTION III

The x and y axes can be set parallel and perpendicular to the rod's axis as shown in Fig. 4-18c. Here F_x produces no moment about point O since its line of action passes through this point. Therefore,

$$\begin{aligned} \zeta + M_O &= -F_y d_x \\ &= -(5 \sin 75^\circ \text{ kN})(3 \text{ m}) \\ &= -14.5 \text{ kN} \cdot \text{m} = 14.5 \text{ kN} \cdot \text{m} \quad \text{Ans.} \end{aligned}$$

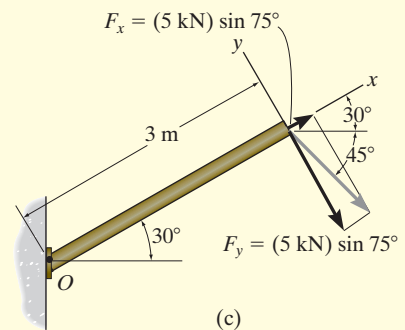


Fig. 4–18

EXAMPLE 4.6

Force \mathbf{F} acts at the end of the angle bracket shown in Fig. 4–19a. Determine the moment of the force about point O .

SOLUTION I (SCALAR ANALYSIS)

The force is resolved into its x and y components as shown in Fig. 4–19b, then

$$\begin{aligned}\zeta + M_O &= 400 \sin 30^\circ \text{ N}(0.2 \text{ m}) - 400 \cos 30^\circ \text{ N}(0.4 \text{ m}) \\ &= -98.6 \text{ N} \cdot \text{m} = 98.6 \text{ N} \cdot \text{m} \curvearrowright\end{aligned}$$

or

$$\mathbf{M}_O = \{-98.6\mathbf{k}\} \text{ N} \cdot \text{m} \quad \text{Ans.}$$

SOLUTION II (VECTOR ANALYSIS)

Using a Cartesian vector approach, the force and position vectors shown in Fig. 4–19c are

$$\mathbf{r} = \{0.4\mathbf{i} - 0.2\mathbf{j}\} \text{ m}$$

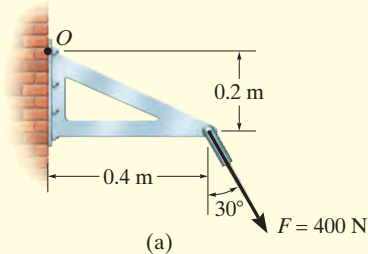
$$\mathbf{F} = \{400 \sin 30^\circ \mathbf{i} - 400 \cos 30^\circ \mathbf{j}\} \text{ N}$$

$$= \{200.0\mathbf{i} - 346.4\mathbf{j}\} \text{ N}$$

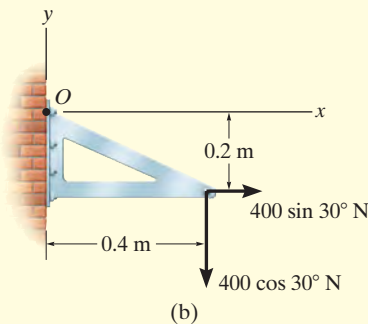
The moment is therefore

$$\begin{aligned}\mathbf{M}_O = \mathbf{r} \times \mathbf{F} &= \begin{vmatrix} \mathbf{i} & \mathbf{j} & \mathbf{k} \\ 0.4 & -0.2 & 0 \\ 200.0 & -346.4 & 0 \end{vmatrix} \\ &= 0\mathbf{i} - 0\mathbf{j} + [0.4(-346.4) - (-0.2)(200.0)]\mathbf{k} \\ &= \{-98.6\mathbf{k}\} \text{ N} \cdot \text{m} \quad \text{Ans.}\end{aligned}$$

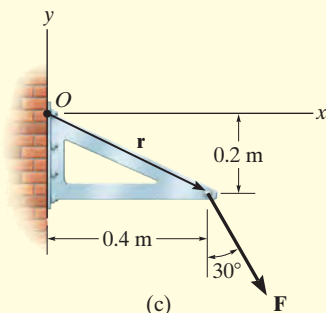
NOTE: It is seen that the scalar analysis (Solution I) provides a more *convenient method* for analysis than Solution II since the direction of the moment and the moment arm for each component force are easy to establish. Hence, this method is generally recommended for solving problems displayed in two dimensions, whereas a Cartesian vector analysis is generally recommended only for solving three-dimensional problems.



(a)



(b)

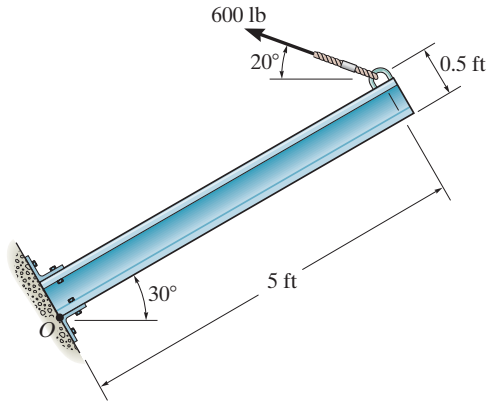


(c)

Fig. 4–19

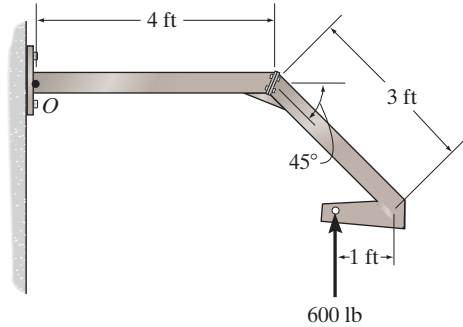
FUNDAMENTAL PROBLEMS

F4-1. Determine the moment of the force about point O .



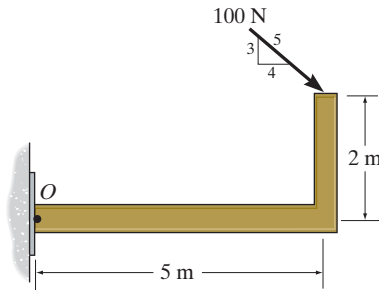
F4-1

F4-4. Determine the moment of the force about point O .



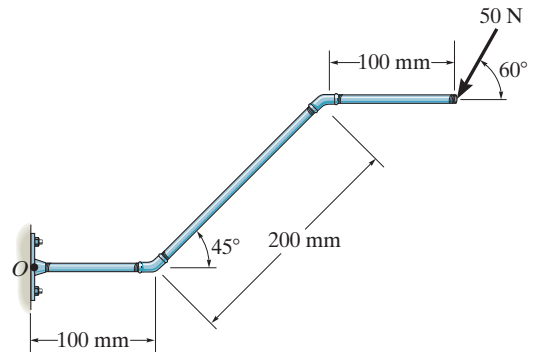
F4-4

F4-2. Determine the moment of the force about point O .



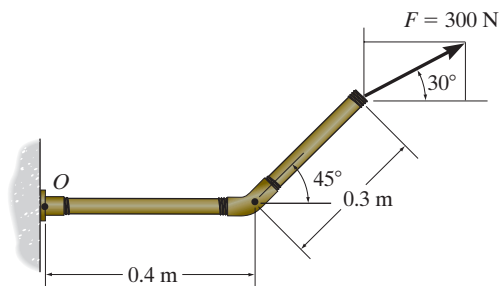
F4-2

F4-5. Determine the moment of the force about point O . Neglect the thickness of the member.



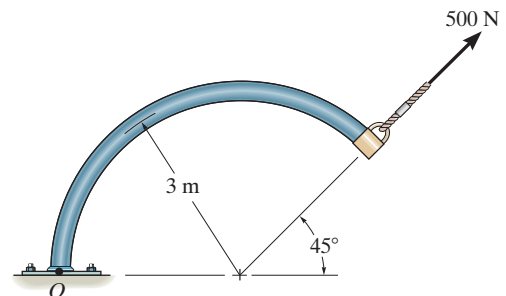
F4-5

F4-3. Determine the moment of the force about point O .



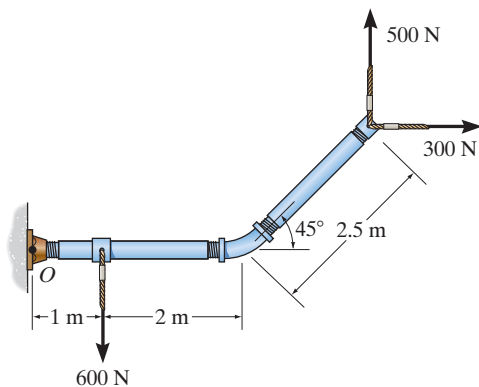
F4-3

F4-6. Determine the moment of the force about point O .



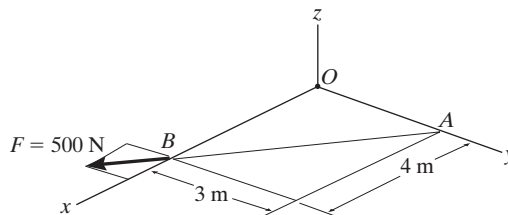
F4-6

F4-7. Determine the resultant moment produced by the forces about point O .



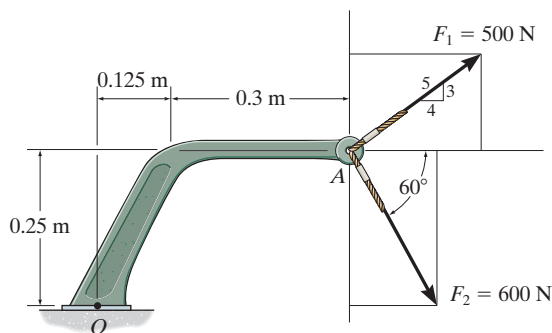
F4-7

F4-10. Determine the moment of force \mathbf{F} about point O . Express the result as a Cartesian vector.



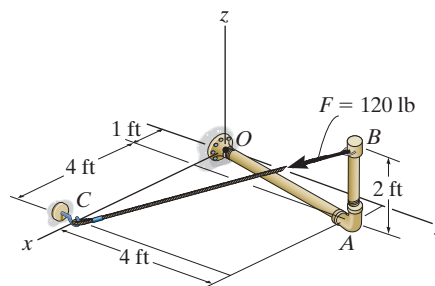
F4-10

F4-8. Determine the resultant moment produced by the forces about point O .



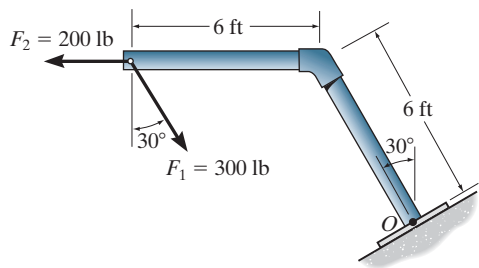
F4-8

F4-11. Determine the moment of force \mathbf{F} about point O . Express the result as a Cartesian vector.



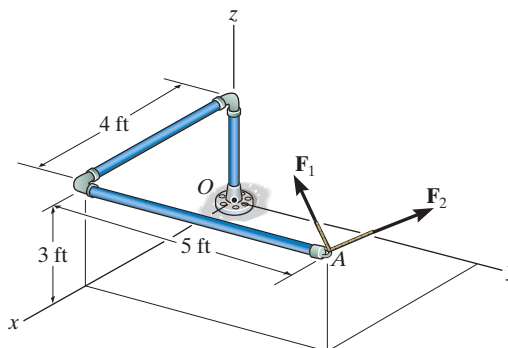
F4-11

F4-9. Determine the resultant moment produced by the forces about point O .



F4-9

F4-12. If $\mathbf{F}_1 = \{100\mathbf{i} - 120\mathbf{j} + 75\mathbf{k}\}$ lb and $\mathbf{F}_2 = \{-200\mathbf{i} + 250\mathbf{j} + 100\mathbf{k}\}$ lb, determine the resultant moment produced by these forces about point O . Express the result as a Cartesian vector.



F4-12

PROBLEMS

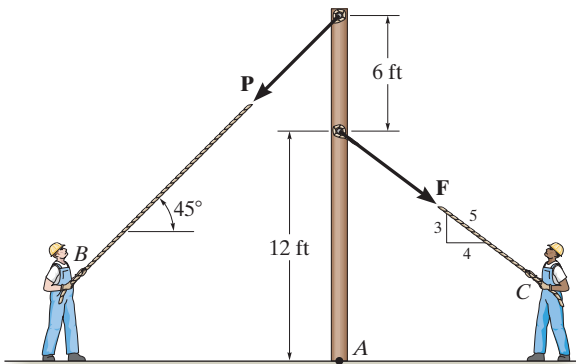
•4-1. If \mathbf{A} , \mathbf{B} , and \mathbf{D} are given vectors, prove the distributive law for the vector cross product, i.e., $\mathbf{A} \times (\mathbf{B} + \mathbf{D}) = (\mathbf{A} \times \mathbf{B}) + (\mathbf{A} \times \mathbf{D})$.

4-2. Prove the triple scalar product identity $\mathbf{A} \cdot \mathbf{B} \times \mathbf{C} = \mathbf{A} \times \mathbf{B} \cdot \mathbf{C}$.

4-3. Given the three nonzero vectors \mathbf{A} , \mathbf{B} , and \mathbf{C} , show that if $\mathbf{A} \cdot (\mathbf{B} \times \mathbf{C}) = 0$, the three vectors *must* lie in the same plane.

***4-4.** Two men exert forces of $F = 80$ lb and $P = 50$ lb on the ropes. Determine the moment of each force about A . Which way will the pole rotate, clockwise or counterclockwise?

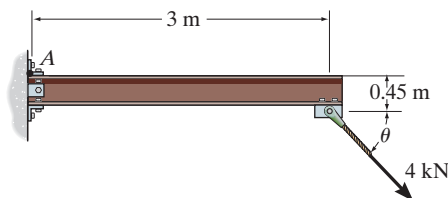
•4-5. If the man at B exerts a force of $P = 30$ lb on his rope, determine the magnitude of the force \mathbf{F} the man at C must exert to prevent the pole from rotating, i.e., so the resultant moment about A of both forces is zero.



Probs. 4-4/5

4-6. If $\theta = 45^\circ$, determine the moment produced by the 4-kN force about point A .

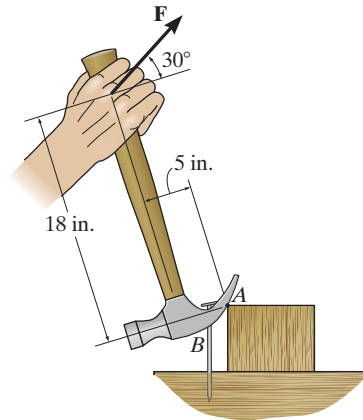
4-7. If the moment produced by the 4-kN force about point A is $10 \text{ kN} \cdot \text{m}$ clockwise, determine the angle θ , where $0^\circ \leq \theta \leq 90^\circ$.



Probs. 4-6/7

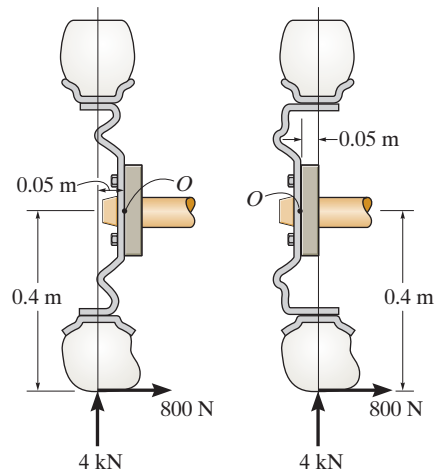
***4-8.** The handle of the hammer is subjected to the force of $F = 20$ lb. Determine the moment of this force about the point A .

•4-9. In order to pull out the nail at B , the force \mathbf{F} exerted on the handle of the hammer must produce a clockwise moment of $500 \text{ lb} \cdot \text{in.}$ about point A . Determine the required magnitude of force \mathbf{F} .



Probs. 4-8/9

4-10. The hub of the wheel can be attached to the axle either with negative offset (left) or with positive offset (right). If the tire is subjected to both a normal and radial load as shown, determine the resultant moment of these loads about point O on the axle for both cases.



Case 1

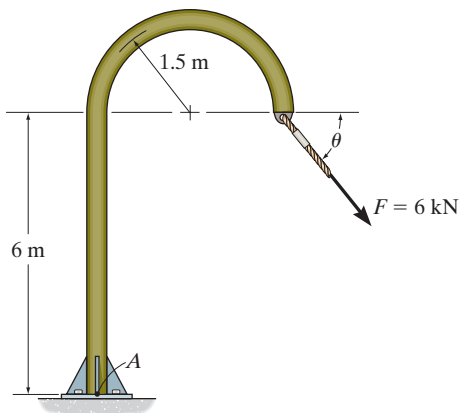
Case 2

Prob. 4-10

4-11. The member is subjected to a force of $F = 6$ kN. If $\theta = 45^\circ$, determine the moment produced by \mathbf{F} about point A .

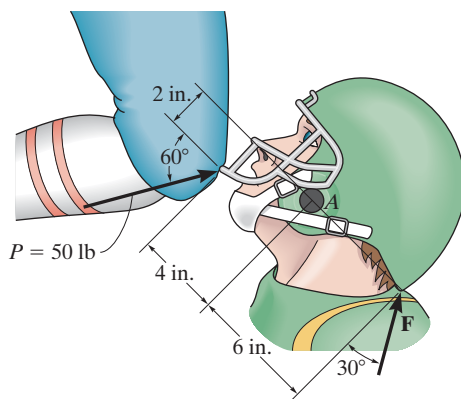
***4-12.** Determine the angle θ ($0^\circ \leq \theta \leq 180^\circ$) of the force \mathbf{F} so that it produces a maximum moment and a minimum moment about point A . Also, what are the magnitudes of these maximum and minimum moments?

•4-13. Determine the moment produced by the force \mathbf{F} about point A in terms of the angle θ . Plot the graph of M_A versus θ , where $0^\circ \leq \theta \leq 180^\circ$.



Probs. 4-11/12/13

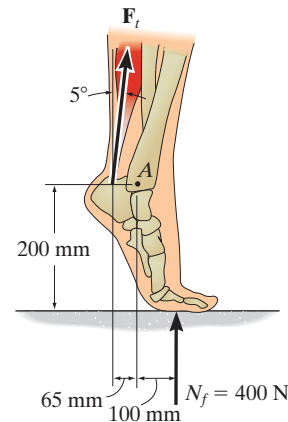
4-14. Serious neck injuries can occur when a football player is struck in the face guard of his helmet in the manner shown, giving rise to a guillotine mechanism. Determine the moment of the knee force $P = 50$ lb about point A . What would be the magnitude of the neck force \mathbf{F} so that it gives the counterbalancing moment about A ?



Probs. 4-14

4-15. The Achilles tendon force of $F_t = 650$ N is mobilized when the man tries to stand on his toes. As this is done, each of his feet is subjected to a reactive force of $N_f = 400$ N. Determine the resultant moment of \mathbf{F}_t and \mathbf{N}_f about the ankle joint A .

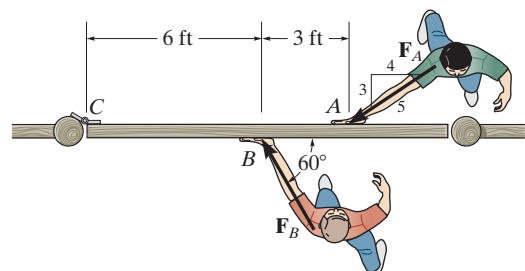
***4-16.** The Achilles tendon force \mathbf{F}_t is mobilized when the man tries to stand on his toes. As this is done, each of his feet is subjected to a reactive force of $N_t = 400$ N. If the resultant moment produced by forces \mathbf{F}_t and \mathbf{N}_t about the ankle joint A is required to be zero, determine the magnitude of \mathbf{F}_t .



Probs. 4-15/16

•4-17. The two boys push on the gate with forces of $F_A = 30$ lb and as shown. Determine the moment of each force about C . Which way will the gate rotate, clockwise or counterclockwise? Neglect the thickness of the gate.

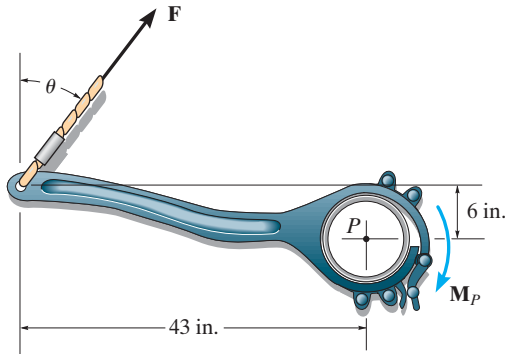
4-18. Two boys push on the gate as shown. If the boy at B exerts a force of $F_B = 30$ lb, determine the magnitude of the force \mathbf{F}_A the boy at A must exert in order to prevent the gate from turning. Neglect the thickness of the gate.



Probs. 4-17/18

4-19. The tongs are used to grip the ends of the drilling pipe P . Determine the torque (moment) M_P that the applied force $F = 150$ lb exerts on the pipe about point P as a function of θ . Plot this moment M_P versus θ for $0 \leq \theta \leq 90^\circ$.

***4-20.** The tongs are used to grip the ends of the drilling pipe P . If a torque (moment) of $M_P = 800$ lb·ft is needed at P to turn the pipe, determine the cable force F that must be applied to the tongs. Set $\theta = 30^\circ$.

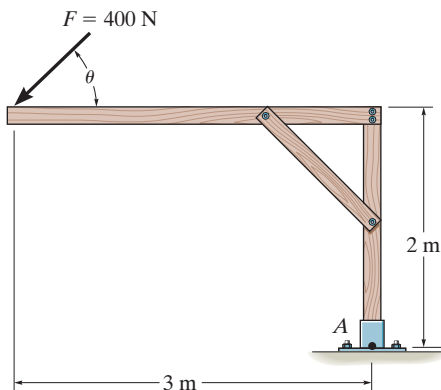


Probs. 4-19/20

•4-21. Determine the direction θ for $0^\circ \leq \theta \leq 180^\circ$ of the force F so that it produces the maximum moment about point A . Calculate this moment.

4-22. Determine the moment of the force F about point A as a function of θ . Plot the results of M (ordinate) versus θ (abscissa) for $0^\circ \leq \theta \leq 180^\circ$.

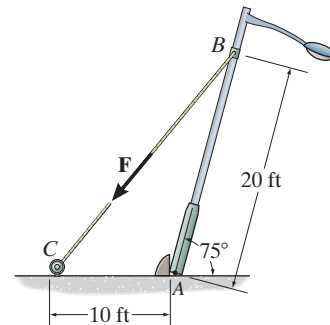
4-23. Determine the minimum moment produced by the force F about point A . Specify the angle θ ($0^\circ \leq \theta \leq 180^\circ$).



Probs. 4-21/22/23

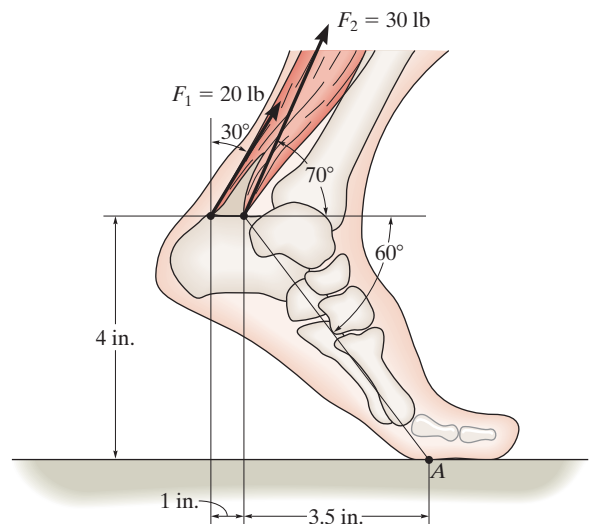
***4-24.** In order to raise the lamp post from the position shown, force F is applied to the cable. If $F = 200$ lb, determine the moment produced by F about point A .

•4-25. In order to raise the lamp post from the position shown, the force F on the cable must create a counterclockwise moment of 1500 lb·ft about point A . Determine the magnitude of F that must be applied to the cable.



Probs. 4-24/25

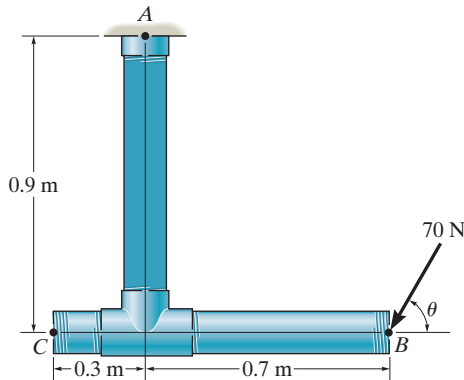
4-26. The foot segment is subjected to the pull of the two plantarflexor muscles. Determine the moment of each force about the point of contact A on the ground.



Prob. 4-26

4-27. The 70-N force acts on the end of the pipe at B . Determine (a) the moment of this force about point A , and (b) the magnitude and direction of a horizontal force, applied at C , which produces the same moment. Take $\theta = 60^\circ$.

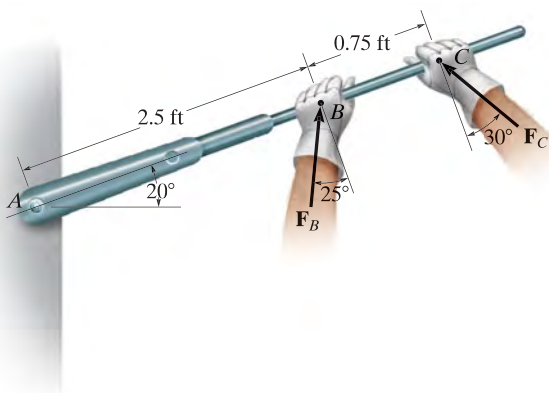
***4-28.** The 70-N force acts on the end of the pipe at B . Determine the angles θ ($0^\circ \leq \theta \leq 180^\circ$) of the force that will produce maximum and minimum moments about point A . What are the magnitudes of these moments?



Probs. 4-27/28

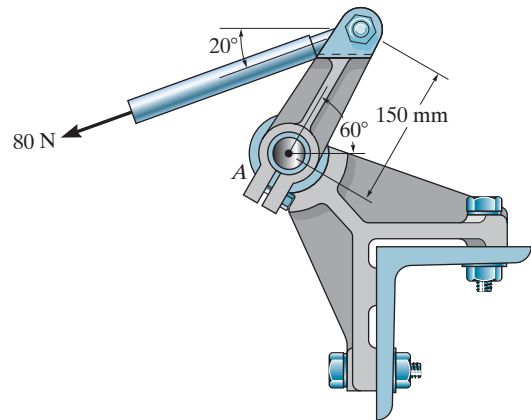
•4-29. Determine the moment of each force about the bolt located at A . Take $F_B = 40$ lb, $F_C = 50$ lb.

4-30. If $F_B = 30$ lb and $F_C = 45$ lb, determine the resultant moment about the bolt located at A .



Probs. 4-29/30

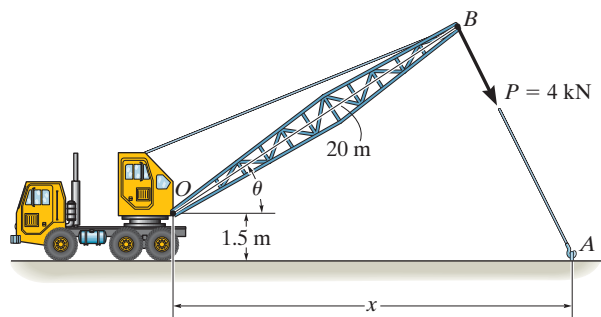
4-31. The rod on the power control mechanism for a business jet is subjected to a force of 80 N. Determine the moment of this force about the bearing at A .



Prob. 4-31

***4-32.** The towline exerts a force of $P = 4$ kN at the end of the 20-m-long crane boom. If $\theta = 30^\circ$, determine the placement x of the hook at A so that this force creates a maximum moment about point O . What is this moment?

•4-33. The towline exerts a force of $P = 4$ kN at the end of the 20-m-long crane boom. If $x = 25$ m, determine the position θ of the boom so that this force creates a maximum moment about point O . What is this moment?

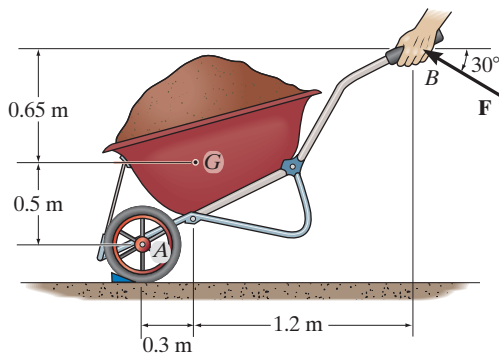


Probs. 4-32/33

4-34. In order to hold the wheelbarrow in the position shown, force \mathbf{F} must produce a counterclockwise moment of $200 \text{ N}\cdot\text{m}$ about the axle at A . Determine the required magnitude of force \mathbf{F} .

4-35. The wheelbarrow and its contents have a mass of 50 kg and a center of mass at G . If the resultant moment produced by force \mathbf{F} and the weight about point A is to be zero, determine the required magnitude of force \mathbf{F} .

***4-36.** The wheelbarrow and its contents have a center of mass at G . If $F = 100 \text{ N}$ and the resultant moment produced by force \mathbf{F} and the weight about the axle at A is zero, determine the mass of the wheelbarrow and its contents.

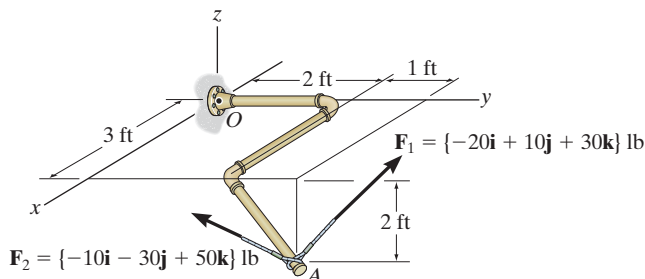


Prob. 4-34/35/36

***4-37.** Determine the moment produced by \mathbf{F}_1 about point O . Express the result as a Cartesian vector.

4-38. Determine the moment produced by \mathbf{F}_2 about point O . Express the result as a Cartesian vector.

4-39. Determine the resultant moment produced by the two forces about point O . Express the result as a Cartesian vector.

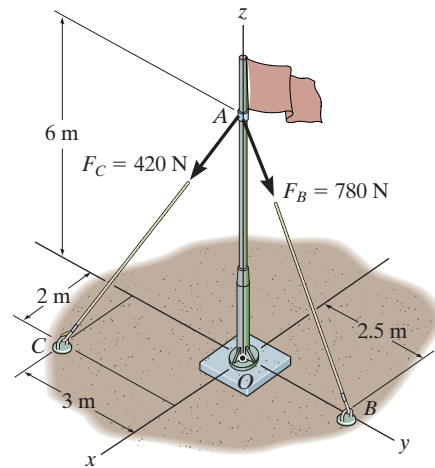


Probs. 4-37/38/39

***4-40.** Determine the moment produced by force \mathbf{F}_B about point O . Express the result as a Cartesian vector.

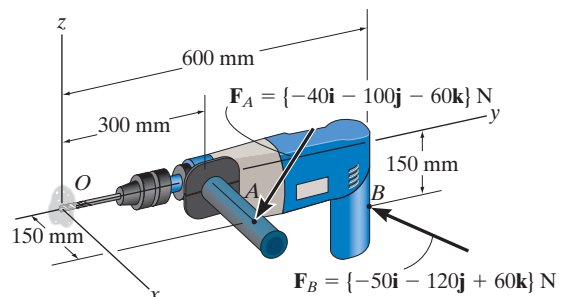
***4-41.** Determine the moment produced by force \mathbf{F}_C about point O . Express the result as a Cartesian vector.

4-42. Determine the resultant moment produced by forces \mathbf{F}_B and \mathbf{F}_C about point O . Express the result as a Cartesian vector.



Probs. 4-40/41/42

4-43. Determine the moment produced by each force about point O located on the drill bit. Express the results as Cartesian vectors.

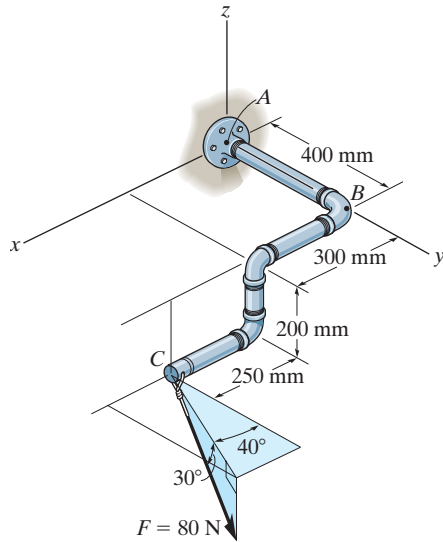


Prob. 4-43

***4-44.** A force of $\mathbf{F} = \{6\mathbf{i} - 2\mathbf{j} + 1\mathbf{k}\} \text{ kN}$ produces a moment of $\mathbf{M}_O = \{4\mathbf{i} + 5\mathbf{j} - 14\mathbf{k}\} \text{ kN}\cdot\text{m}$ about the origin of coordinates, point O . If the force acts at a point having an x coordinate of $x = 1 \text{ m}$, determine the y and z coordinates.

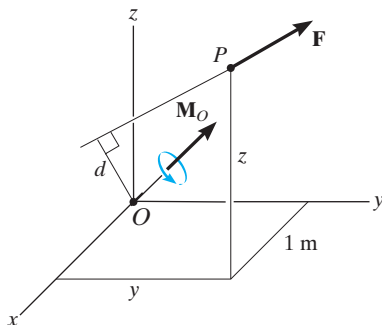
4-45. The pipe assembly is subjected to the 80-N force. Determine the moment of this force about point A .

4-46. The pipe assembly is subjected to the 80-N force. Determine the moment of this force about point B .



Probs. 4-45/46

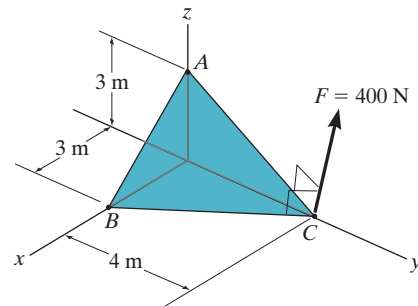
4-47. The force $\mathbf{F} = \{6\mathbf{i} + 8\mathbf{j} + 10\mathbf{k}\}$ N creates a moment about point O of $\mathbf{M}_O = \{-14\mathbf{i} + 8\mathbf{j} + 2\mathbf{k}\}$ N·m. If the force passes through a point having an x coordinate of 1 m, determine the y and z coordinates of the point. Also, realizing that $M_O = Fd$, determine the perpendicular distance d from point O to the line of action of \mathbf{F} .



Prob. 4-47

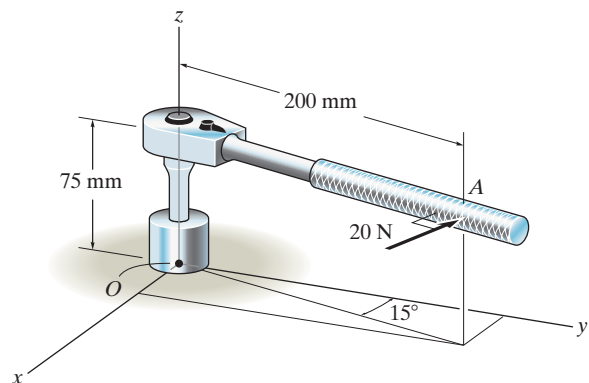
***4-48.** Force \mathbf{F} acts perpendicular to the inclined plane. Determine the moment produced by \mathbf{F} about point A . Express the result as a Cartesian vector.

***4-49.** Force \mathbf{F} acts perpendicular to the inclined plane. Determine the moment produced by \mathbf{F} about point B . Express the result as a Cartesian vector.



Probs. 4-48/49

4-50. A 20-N horizontal force is applied perpendicular to the handle of the socket wrench. Determine the magnitude and the coordinate direction angles of the moment created by this force about point O .



Prob. 4-50

4.5 Moment of a Force about a Specified Axis

Sometimes, the moment produced by a force about a *specified axis* must be determined. For example, suppose the lug nut at O on the car tire in Fig. 4–20a needs to be loosened. The force applied to the wrench will create a tendency for the wrench and the nut to rotate about the *moment axis* passing through O ; however, the nut can only rotate about the *moment axis*. Therefore, to determine the turning effect, only the y component of the moment is needed, and the total moment produced is not important. To determine this component, we can use either a scalar or vector analysis.

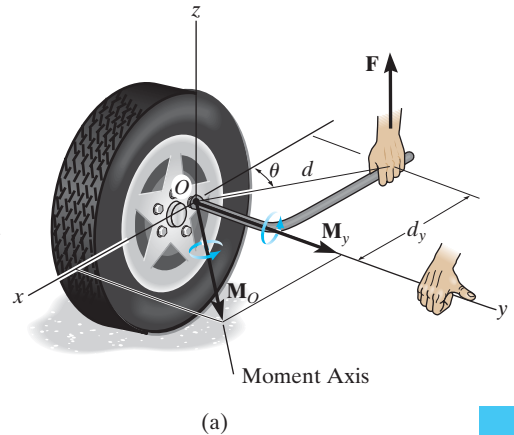


Fig. 4–20

Scalar Analysis. To use a scalar analysis in the case of the lug nut in Fig. 4–20a, the moment arm perpendicular distance from the axis to the line of action of the force is $d_y = d \cos \theta$. Thus, the moment of \mathbf{F} about the y axis is $M_y = F d_y = F(d \cos \theta)$. According to the right-hand rule, \mathbf{M}_y is directed along the positive y axis as shown in the figure. In general, for any axis a , the moment is

$$M_a = F d_a \quad (4-10)$$



If large enough, the cable force \mathbf{F} on the boom of this crane can cause the crane to topple over. To investigate this, the moment of the force must be calculated about an axis passing through the base of the legs at A and B .

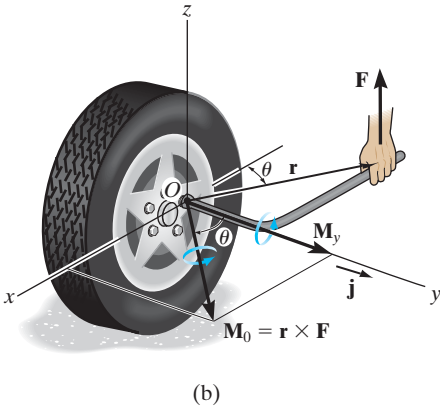


Fig. 4-20

Vector Analysis. To find the moment of force \mathbf{F} in Fig. 4-20b about the y axis using a vector analysis, we must first determine the moment of the force about *any point* O on the y axis by applying Eq. 4-7, $\mathbf{M}_O = \mathbf{r} \times \mathbf{F}$. The component M_y along the y axis is the *projection* of \mathbf{M}_O onto the y axis. It can be found using the *dot product* discussed in Chapter 2, so that $M_y = \mathbf{j} \cdot \mathbf{M}_O = \mathbf{j} \cdot (\mathbf{r} \times \mathbf{F})$, where \mathbf{j} is the unit vector for the y axis.

We can generalize this approach by letting \mathbf{u}_a be the unit vector that specifies the direction of the a axis shown in Fig. 4-21. Then the moment of \mathbf{F} about the axis is $M_a = \mathbf{u}_a \cdot (\mathbf{r} \times \mathbf{F})$. This combination is referred to as the *scalar triple product*. If the vectors are written in Cartesian form, we have

$$M_a = [u_{a_x}\mathbf{i} + u_{a_y}\mathbf{j} + u_{a_z}\mathbf{k}] \cdot \begin{vmatrix} \mathbf{i} & \mathbf{j} & \mathbf{k} \\ r_x & r_y & r_z \\ F_x & F_y & F_z \end{vmatrix}$$

$$= u_{a_x}(r_y F_z - r_z F_y) - u_{a_y}(r_x F_z - r_z F_x) + u_{a_z}(r_x F_y - r_y F_x)$$

This result can also be written in the form of a determinant, making it easier to memorize.*

$$M_a = \mathbf{u}_a \cdot (\mathbf{r} \times \mathbf{F}) = \begin{vmatrix} u_{a_x} & u_{a_y} & u_{a_z} \\ r_x & r_y & r_z \\ F_x & F_y & F_z \end{vmatrix} \quad (4-11)$$

where

$u_{a_x}, u_{a_y}, u_{a_z}$ represent the x, y, z components of the unit vector defining the direction of the a axis

r_x, r_y, r_z represent the x, y, z components of the position vector extended from *any point* O on the a axis to *any point* A on the line of action of the force

F_x, F_y, F_z represent the x, y, z components of the force vector.

When M_a is evaluated from Eq. 4-11, it will yield a positive or negative scalar. The sign of this scalar indicates the sense of direction of \mathbf{M}_a along the a axis. If it is positive, then \mathbf{M}_a will have the same sense as \mathbf{u}_a , whereas if it is negative, then \mathbf{M}_a will act opposite to \mathbf{u}_a .

Once M_a is determined, we can then express \mathbf{M}_a as a Cartesian vector, namely,

$$\mathbf{M}_a = M_a \mathbf{u}_a \quad (4-12)$$

The examples which follow illustrate numerical applications of the above concepts.

*Take a moment to expand this determinant, to show that it will yield the above result.

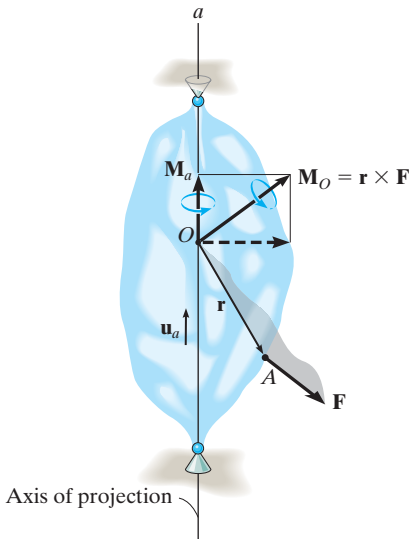


Fig. 4-21

Important Points

- The moment of a force about a specified axis can be determined provided the perpendicular distance d_a from the force line of action to the axis can be determined. $M_a = Fd_a$.
- If vector analysis is used, $M_a = \mathbf{u}_a \cdot (\mathbf{r} \times \mathbf{F})$, where \mathbf{u}_a defines the direction of the axis and \mathbf{r} is extended from *any point* on the axis to *any point* on the line of action of the force.
- If M_a is calculated as a negative scalar, then the sense of direction of \mathbf{M}_a is opposite to \mathbf{u}_a .
- The moment \mathbf{M}_a expressed as a Cartesian vector is determined from $\mathbf{M}_a = M_a \mathbf{u}_a$.

4

EXAMPLE 4.7

Determine the resultant moment of the three forces in Fig. 4–22 about the x axis, the y axis, and the z axis.

SOLUTION

A force that is *parallel* to a coordinate axis or has a line of action that passes through the axis does *not* produce any moment or tendency for turning about that axis. Therefore, defining the positive direction of the moment of a force according to the right-hand rule, as shown in the figure, we have

$$M_x = (60 \text{ lb})(2 \text{ ft}) + (50 \text{ lb})(2 \text{ ft}) + 0 = 220 \text{ lb} \cdot \text{ft} \quad \text{Ans.}$$

$$M_y = 0 - (50 \text{ lb})(3 \text{ ft}) - (40 \text{ lb})(2 \text{ ft}) = -230 \text{ lb} \cdot \text{ft} \quad \text{Ans.}$$

$$M_z = 0 + 0 - (40 \text{ lb})(2 \text{ ft}) = -80 \text{ lb} \cdot \text{ft} \quad \text{Ans.}$$

The negative signs indicate that \mathbf{M}_y and \mathbf{M}_z act in the $-y$ and $-z$ directions, respectively.

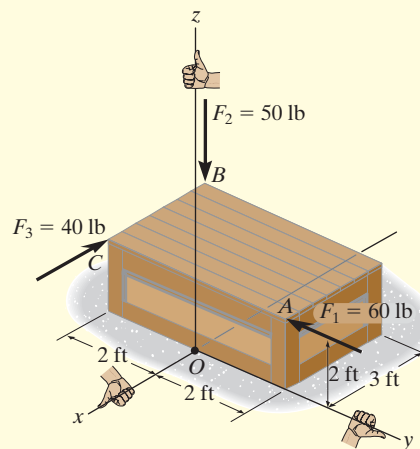


Fig. 4–22

EXAMPLE 4.8

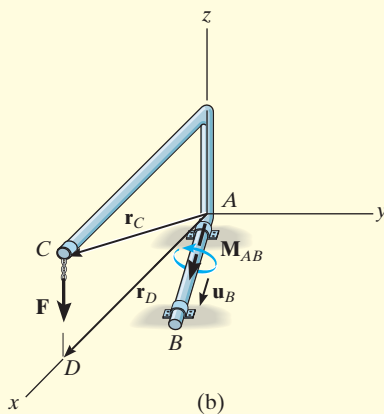
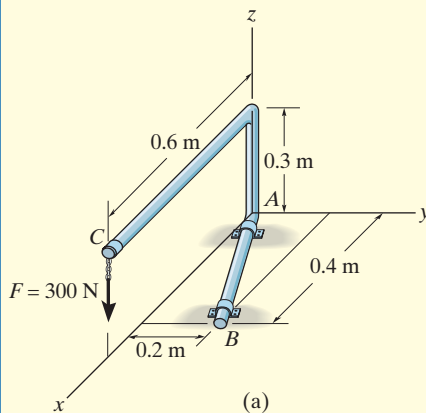


Fig. 4-23

Determine the moment \mathbf{M}_{AB} produced by the force \mathbf{F} in Fig. 4-23a, which tends to rotate the rod about the AB axis.

SOLUTION

A vector analysis using $M_{AB} = \mathbf{u}_B \cdot (\mathbf{r} \times \mathbf{F})$ will be considered for the solution rather than trying to find the moment arm or perpendicular distance from the line of action of \mathbf{F} to the AB axis. Each of the terms in the equation will now be identified.

Unit vector \mathbf{u}_B defines the direction of the AB axis of the rod, Fig. 4-23b, where

$$\mathbf{u}_B = \frac{\mathbf{r}_B}{r_B} = \frac{\{0.4\mathbf{i} + 0.2\mathbf{j}\} \text{ m}}{\sqrt{(0.4 \text{ m})^2 + (0.2 \text{ m})^2}} = 0.8944\mathbf{i} + 0.4472\mathbf{j}$$

Vector \mathbf{r} is directed from *any point* on the AB axis to *any point* on the line of action of the force. For example, position vectors \mathbf{r}_C and \mathbf{r}_D are suitable, Fig. 4-23b. (Although not shown, \mathbf{r}_{BC} or \mathbf{r}_{BD} can also be used.) For simplicity, we choose \mathbf{r}_D , where

$$\mathbf{r}_D = \{0.6\mathbf{i}\} \text{ m}$$

The force is

$$\mathbf{F} = \{-300\mathbf{k}\} \text{ N}$$

Substituting these vectors into the determinant form and expanding, we have

$$\begin{aligned} M_{AB} &= \mathbf{u}_B \cdot (\mathbf{r}_D \times \mathbf{F}) = \begin{vmatrix} 0.8944 & 0.4472 & 0 \\ 0.6 & 0 & 0 \\ 0 & 0 & -300 \end{vmatrix} \\ &= 0.8944[0(-300) - 0(0)] - 0.4472[0.6(-300) - 0(0)] \\ &\quad + 0[0.6(0) - 0(0)] \\ &= 80.50 \text{ N} \cdot \text{m} \end{aligned}$$

This positive result indicates that the sense of \mathbf{M}_{AB} is in the same direction as \mathbf{u}_B .

Expressing \mathbf{M}_{AB} as a Cartesian vector yields

$$\begin{aligned} \mathbf{M}_{AB} &= M_{AB}\mathbf{u}_B = (80.50 \text{ N} \cdot \text{m})(0.8944\mathbf{i} + 0.4472\mathbf{j}) \\ &= \{72.0\mathbf{i} + 36.0\mathbf{j}\} \text{ N} \cdot \text{m} \end{aligned} \quad \text{Ans.}$$

The result is shown in Fig. 4-23b.

NOTE: If axis AB is defined using a unit vector directed from B toward A , then in the above formulation $-\mathbf{u}_B$ would have to be used. This would lead to $M_{AB} = -80.50 \text{ N} \cdot \text{m}$. Consequently, $\mathbf{M}_{AB} = M_{AB}(-\mathbf{u}_B)$, and the same result would be obtained.

EXAMPLE 4.9

Determine the magnitude of the moment of force \mathbf{F} about segment OA of the pipe assembly in Fig. 4–24a.

SOLUTION

The moment of \mathbf{F} about the OA axis is determined from $M_{OA} = \mathbf{u}_{OA} \cdot (\mathbf{r} \times \mathbf{F})$, where \mathbf{r} is a position vector extending from any point on the OA axis to any point on the line of action of \mathbf{F} . As indicated in Fig. 4–24b, either \mathbf{r}_{OD} , \mathbf{r}_{OC} , \mathbf{r}_{AD} , or \mathbf{r}_{AC} can be used; however, \mathbf{r}_{OD} will be considered since it will simplify the calculation.

The unit vector \mathbf{u}_{OA} , which specifies the direction of the OA axis, is

$$\mathbf{u}_{OA} = \frac{\mathbf{r}_{OA}}{r_{OA}} = \frac{\{0.3\mathbf{i} + 0.4\mathbf{j}\} \text{ m}}{\sqrt{(0.3 \text{ m})^2 + (0.4 \text{ m})^2}} = 0.6\mathbf{i} + 0.8\mathbf{j}$$

and the position vector \mathbf{r}_{OD} is

$$\mathbf{r}_{OD} = \{0.5\mathbf{i} + 0.5\mathbf{k}\} \text{ m}$$

The force \mathbf{F} expressed as a Cartesian vector is

$$\begin{aligned} \mathbf{F} &= F \left(\frac{\mathbf{r}_{CD}}{r_{CD}} \right) \\ &= (300 \text{ N}) \left[\frac{\{0.4\mathbf{i} - 0.4\mathbf{j} + 0.2\mathbf{k}\} \text{ m}}{\sqrt{(0.4 \text{ m})^2 + (-0.4 \text{ m})^2 + (0.2 \text{ m})^2}} \right] \\ &= \{200\mathbf{i} - 200\mathbf{j} + 100\mathbf{k}\} \text{ N} \end{aligned}$$

Therefore,

$$M_{OA} = \mathbf{u}_{OA} \cdot (\mathbf{r}_{OD} \times \mathbf{F})$$

$$= \begin{vmatrix} 0.6 & 0.8 & 0 \\ 0.5 & 0 & 0.5 \\ 200 & -200 & 100 \end{vmatrix}$$

$$= 0.6[0(100) - (0.5)(-200)] - 0.8[0.5(100) - (0.5)(200)] + 0$$

$$= 100 \text{ N}\cdot\text{m}$$

Ans.

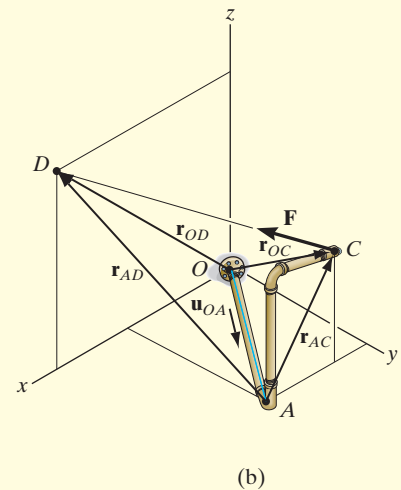
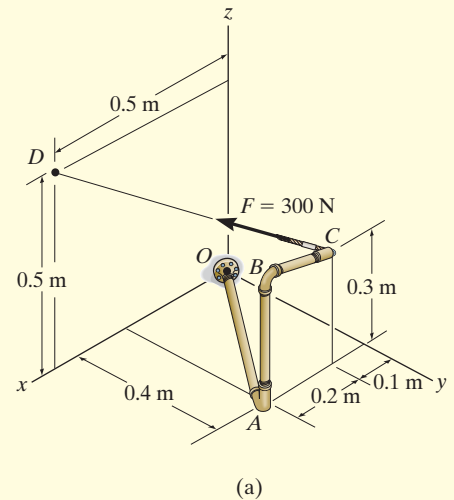
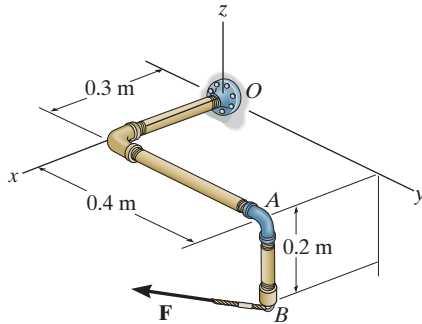


Fig. 4–24

FUNDAMENTAL PROBLEMS

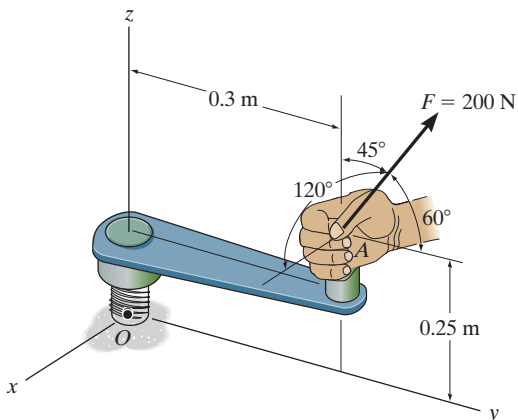
F4-13. Determine the magnitude of the moment of the force $\mathbf{F} = \{300\mathbf{i} - 200\mathbf{j} + 150\mathbf{k}\}$ N about the x axis. Express the result as a Cartesian vector.

F4-14. Determine the magnitude of the moment of the force $\mathbf{F} = \{300\mathbf{i} - 200\mathbf{j} + 150\mathbf{k}\}$ N about the OA axis. Express the result as a Cartesian vector.



F4-13/14

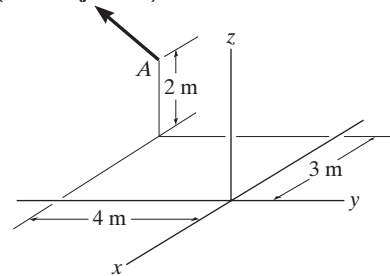
F4-15. Determine the magnitude of the moment of the 200-N force about the x axis.



F4-15

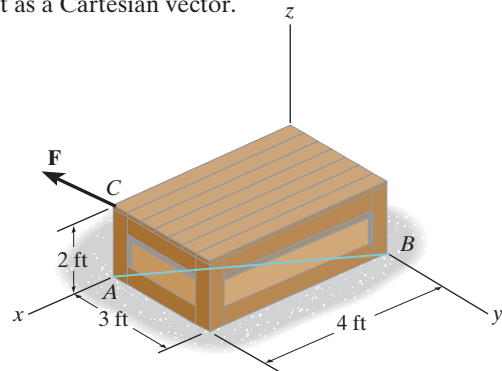
F4-16. Determine the magnitude of the moment of the force about the y axis.

$$\mathbf{F} = \{30\mathbf{i} - 20\mathbf{j} + 50\mathbf{k}\} \text{ N}$$



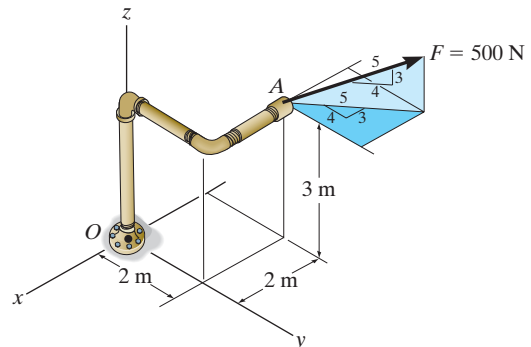
F4-16

F4-17. Determine the moment of the force $\mathbf{F} = \{50\mathbf{i} - 40\mathbf{j} + 20\mathbf{k}\}$ lb about the AB axis. Express the result as a Cartesian vector.



F4-17

F4-18. Determine the moment of force \mathbf{F} about the x , the y , and the z axes. Use a scalar analysis.

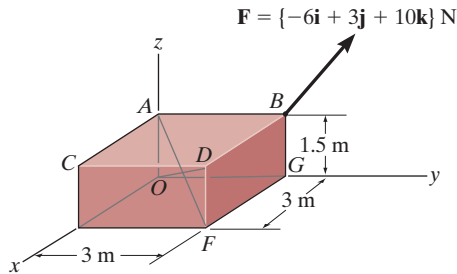


F4-18

PROBLEMS

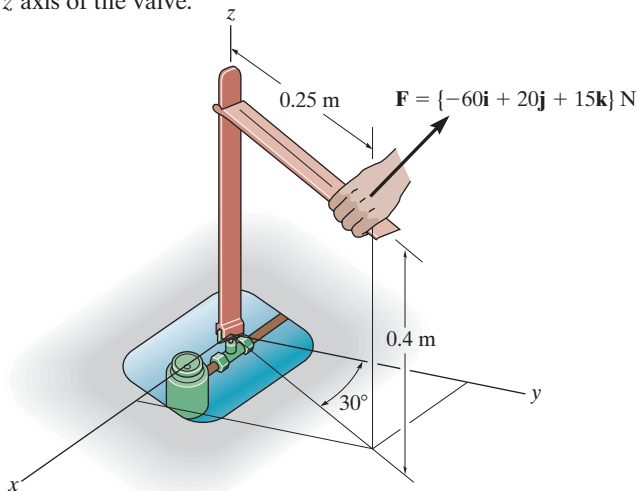
4-51. Determine the moment produced by force \mathbf{F} about the diagonal AF of the rectangular block. Express the result as a Cartesian vector.

***4-52.** Determine the moment produced by force \mathbf{F} about the diagonal OD of the rectangular block. Express the result as a Cartesian vector.



Probs. 4-51/52

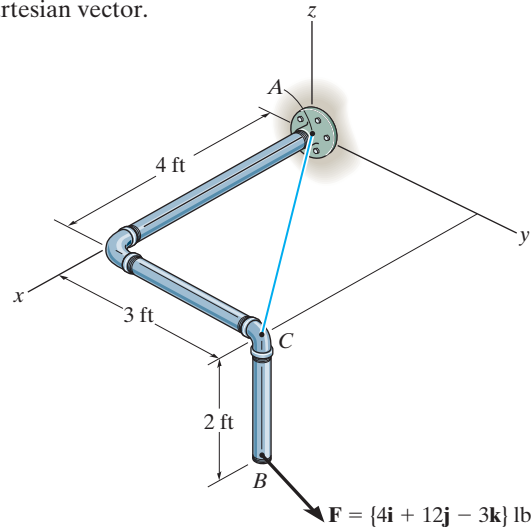
•4-53. The tool is used to shut off gas valves that are difficult to access. If the force \mathbf{F} is applied to the handle, determine the component of the moment created about the z axis of the valve.



Prob. 4-53

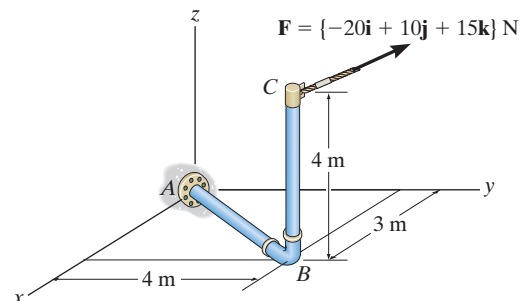
4-54. Determine the magnitude of the moments of the force \mathbf{F} about the x , y , and z axes. Solve the problem (a) using a Cartesian vector approach and (b) using a scalar approach.

4-55. Determine the moment of the force \mathbf{F} about an axis extending between A and C . Express the result as a Cartesian vector.



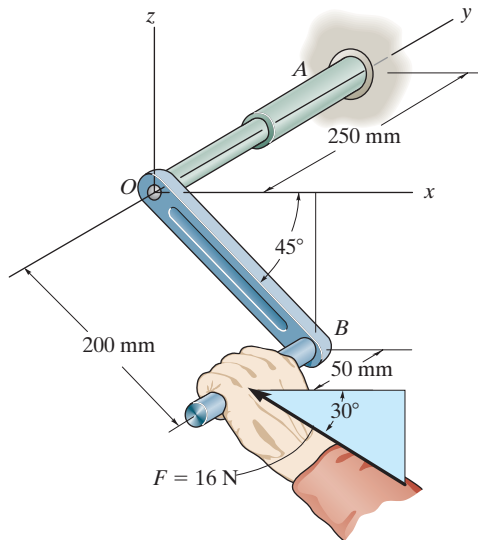
Probs. 4-54/55

***4-56.** Determine the moment produced by force \mathbf{F} about segment AB of the pipe assembly. Express the result as a Cartesian vector.



Prob. 4-56

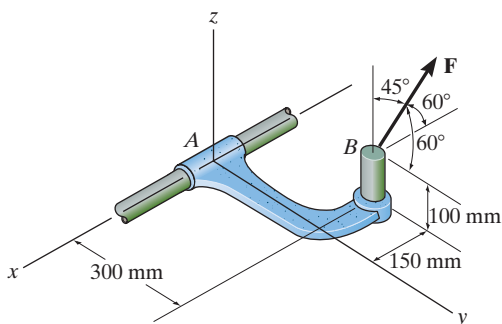
•4-57. Determine the magnitude of the moment that the force \mathbf{F} exerts about the y axis of the shaft. Solve the problem using a Cartesian vector approach and using a scalar approach.



Prob. 4-57

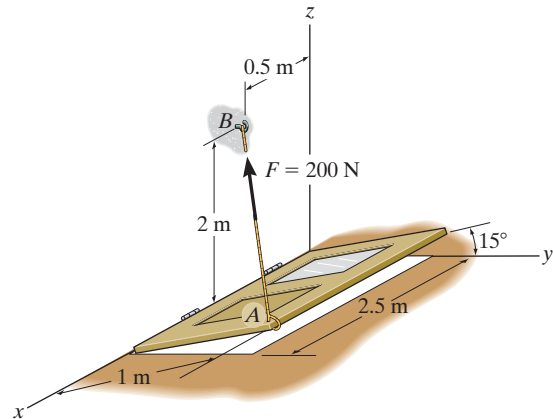
4-58. If $F = 450$ N, determine the magnitude of the moment produced by this force about the x axis.

4-59. The friction at sleeve A can provide a maximum resisting moment of $125 \text{ N} \cdot \text{m}$ about the x axis. Determine the largest magnitude of force \mathbf{F} that can be applied to the bracket so that the bracket will not turn.



Probs. 4-58/59

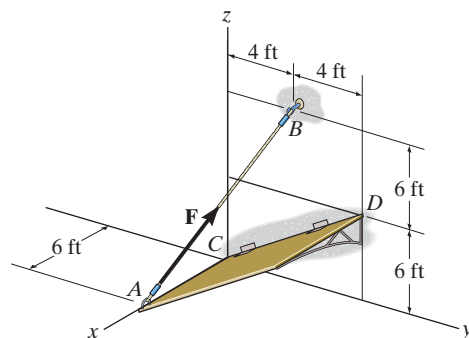
***4-60.** Determine the magnitude of the moment produced by the force of $F = 200$ N about the hinged axis (the x axis) of the door.



Prob. 4-60

•4-61. If the tension in the cable is $F = 140$ lb, determine the magnitude of the moment produced by this force about the hinged axis, CD , of the panel.

4-62. Determine the magnitude of force \mathbf{F} in cable AB in order to produce a moment of $500 \text{ lb} \cdot \text{ft}$ about the hinged axis CD , which is needed to hold the panel in the position shown.

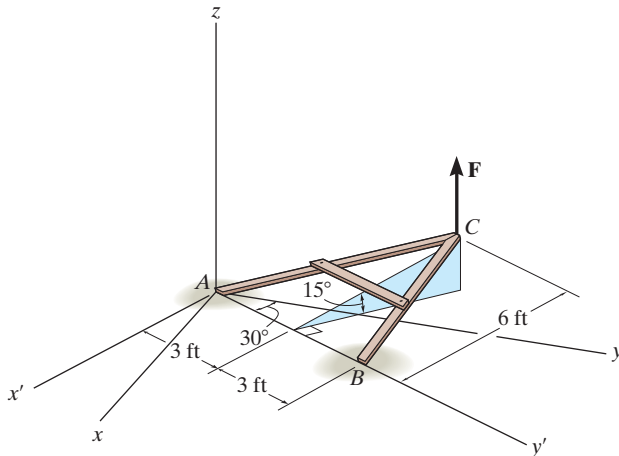


Probs. 4-61/62

4-63. The A-frame is being hoisted into an upright position by the vertical force of $F = 80$ lb. Determine the moment of this force about the y' axis passing through points A and B when the frame is in the position shown.

***4-64.** The A-frame is being hoisted into an upright position by the vertical force of $F = 80$ lb. Determine the moment of this force about the x axis when the frame is in the position shown.

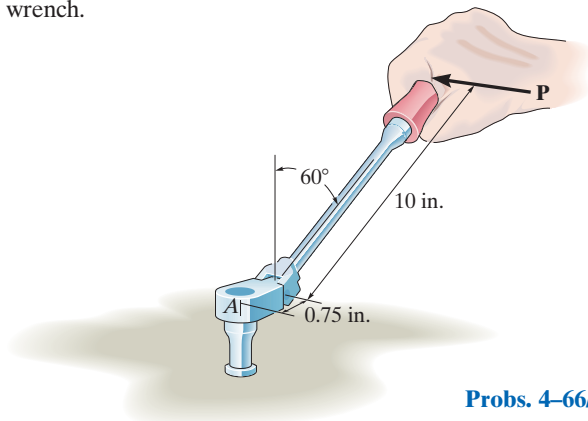
•4-65. The A-frame is being hoisted into an upright position by the vertical force of $F = 80$ lb. Determine the moment of this force about the y axis when the frame is in the position shown.



Probs. 4-63/64/65

4-66. The flex-headed ratchet wrench is subjected to a force of $P = 16$ lb, applied perpendicular to the handle as shown. Determine the moment or torque this imparts along the vertical axis of the bolt at A .

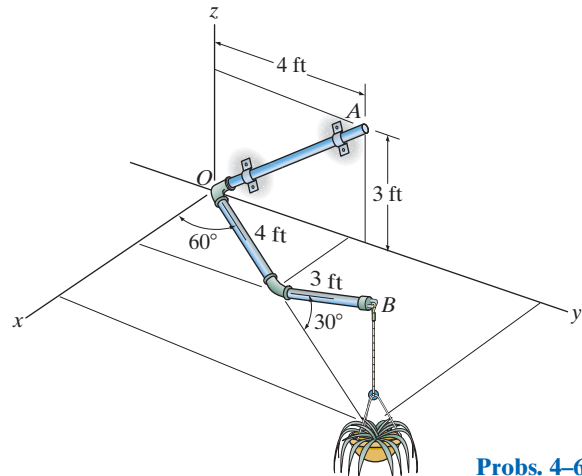
4-67. If a torque or moment of 80 lb·in. is required to loosen the bolt at A , determine the force P that must be applied perpendicular to the handle of the flex-headed ratchet wrench.



Probs. 4-66/67

***4-68.** The pipe assembly is secured on the wall by the two brackets. If the flower pot has a weight of 50 lb, determine the magnitude of the moment produced by the weight about the OA axis.

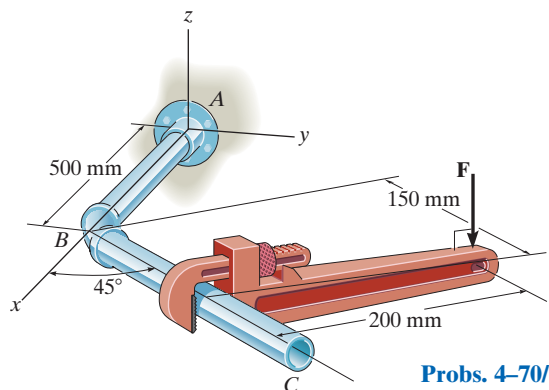
•4-69. The pipe assembly is secured on the wall by the two brackets. If the frictional force of both brackets can resist a maximum moment of 150 lb·ft, determine the largest weight of the flower pot that can be supported by the assembly without causing it to rotate about the OA axis.



Probs. 4-68/69

4-70. A vertical force of $F = 60$ N is applied to the handle of the pipe wrench. Determine the moment that this force exerts along the axis AB (x axis) of the pipe assembly. Both the wrench and pipe assembly ABC lie in the x - y plane. *Suggestion:* Use a scalar analysis.

4-71. Determine the magnitude of the vertical force \mathbf{F} acting on the handle of the wrench so that this force produces a component of moment along the AB axis (x axis) of the pipe assembly of $(M_A)_x = \{-5\mathbf{i}\}$ N·m. Both the pipe assembly ABC and the wrench lie in the x - y plane. *Suggestion:* Use a scalar analysis.



Probs. 4-70/71

4.6 Moment of a Couple

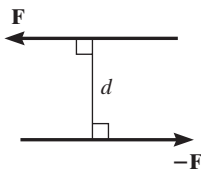


Fig. 4-25

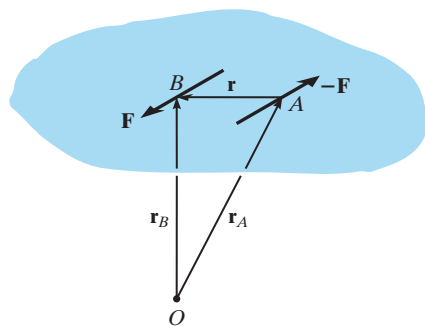


Fig. 4-26

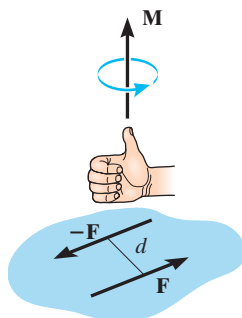


Fig. 4-27

A *couple* is defined as two parallel forces that have the same magnitude, but opposite directions, and are separated by a perpendicular distance d , Fig. 4-25. Since the resultant force is zero, the only effect of a couple is to produce a rotation or tendency of rotation in a specified direction. For example, imagine that you are driving a car with both hands on the steering wheel and you are making a turn. One hand will push up on the wheel while the other hand pulls down, which causes the steering wheel to rotate.

The moment produced by a couple is called a *couple moment*. We can determine its value by finding the sum of the moments of both couple forces about *any* arbitrary point. For example, in Fig. 4-26, position vectors \mathbf{r}_A and \mathbf{r}_B are directed from point O to points A and B lying on the line of action of $-\mathbf{F}$ and \mathbf{F} . The couple moment determined about O is therefore

$$\mathbf{M} = \mathbf{r}_B \times \mathbf{F} + \mathbf{r}_A \times -\mathbf{F} = (\mathbf{r}_B - \mathbf{r}_A) \times \mathbf{F}$$

However $\mathbf{r}_B = \mathbf{r}_A + \mathbf{r}$ or $\mathbf{r} = \mathbf{r}_B - \mathbf{r}_A$, so that

$$\mathbf{M} = \mathbf{r} \times \mathbf{F} \quad (4-13)$$

This result indicates that a couple moment is a *free vector*, i.e., it can act at *any point* since \mathbf{M} depends *only* upon the position vector \mathbf{r} directed *between* the forces and *not* the position vectors \mathbf{r}_A and \mathbf{r}_B , directed from the arbitrary point O to the forces. This concept is unlike the moment of a force, which requires a definite point (or axis) about which moments are determined.

Scalar Formulation. The moment of a couple, \mathbf{M} , Fig. 4-27, is defined as having a *magnitude* of

$$M = Fd \quad (4-14)$$

where F is the magnitude of one of the forces and d is the perpendicular distance or moment arm between the forces. The *direction* and *sense* of the couple moment are determined by the right-hand rule, where the thumb indicates this direction when the fingers are curled with the sense of rotation caused by the couple forces. In all cases, \mathbf{M} will act perpendicular to the plane containing these forces.

Vector Formulation. The moment of a couple can also be expressed by the vector cross product using Eq. 4-13, i.e.,

$$\mathbf{M} = \mathbf{r} \times \mathbf{F} \quad (4-15)$$

Application of this equation is easily remembered if one thinks of taking the moments of both forces about a point lying on the line of action of one of the forces. For example, if moments are taken about point A in Fig. 4-26, the moment of $-\mathbf{F}$ is *zero* about this point, and the moment of \mathbf{F} is defined from Eq. 4-15. Therefore, in the formulation \mathbf{r} is crossed with the force \mathbf{F} to which it is directed.

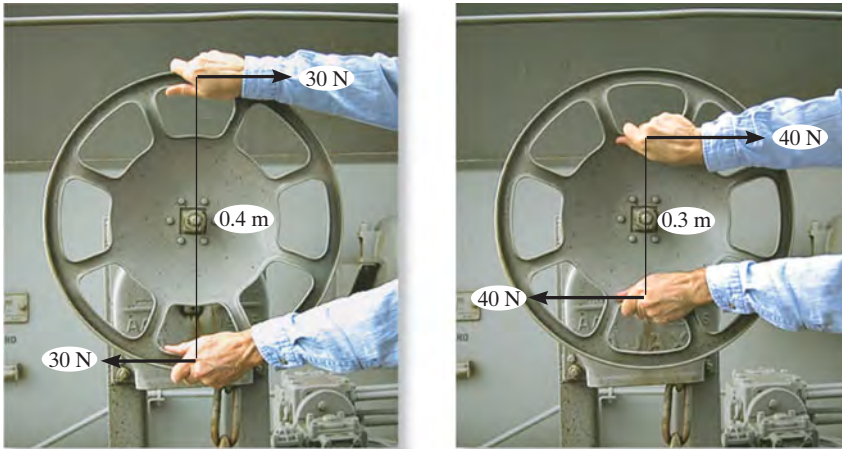


Fig. 4-28

Equivalent Couples. If two couples produce a moment with the *same magnitude and direction*, then these two couples are *equivalent*. For example, the two couples shown in Fig. 4-28 are *equivalent* because each couple moment has a magnitude of $M = 30 \text{ N}(0.4 \text{ m}) = 40 \text{ N}(0.3 \text{ m}) = 12 \text{ N} \cdot \text{m}$, and each is directed into the plane of the page. Notice that larger forces are required in the second case to create the same turning effect because the hands are placed closer together. Also, if the wheel was connected to the shaft at a point other than at its center, then the wheel would still turn when each couple is applied since the $12 \text{ N} \cdot \text{m}$ couple is a free vector.

Resultant Couple Moment. Since couple moments are vectors, their resultant can be determined by vector addition. For example, consider the couple moments \mathbf{M}_1 and \mathbf{M}_2 acting on the pipe in Fig. 4-29a. Since each couple moment is a free vector, we can join their tails at any arbitrary point and find the resultant couple moment, $\mathbf{M}_R = \mathbf{M}_1 + \mathbf{M}_2$ as shown in Fig. 4-29b.

If more than two couple moments act on the body, we may generalize this concept and write the vector resultant as

$$\mathbf{M}_R = \Sigma(\mathbf{r} \times \mathbf{F}) \quad (4-16)$$

These concepts are illustrated numerically in the examples that follow. In general, problems projected in two dimensions should be solved using a scalar analysis since the moment arms and force components are easy to determine.

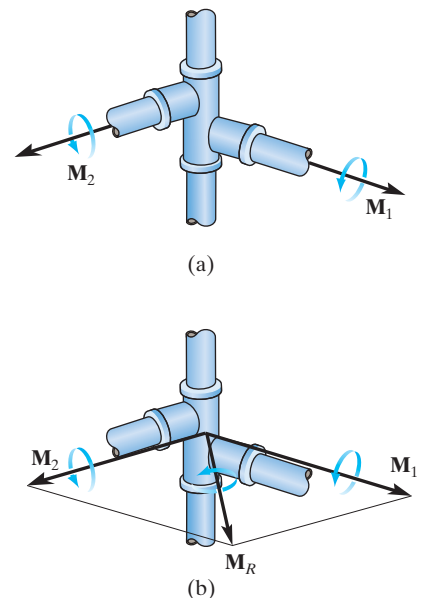
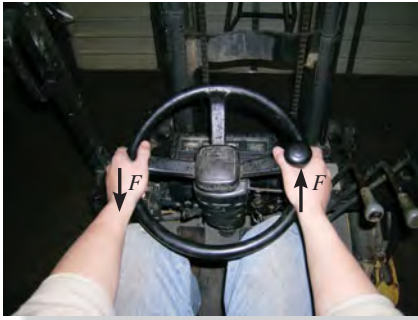


Fig. 4-29



Steering wheels on vehicles have been made smaller than on older vehicles because power steering does not require the driver to apply a large couple moment to the rim of the wheel.

4

Important Points

- A couple moment is produced by two noncollinear forces that are equal in magnitude but opposite in direction. Its effect is to produce pure rotation, or tendency for rotation in a specified direction.
- A couple moment is a free vector, and as a result it causes the same rotational effect on a body regardless of where the couple moment is applied to the body.
- The moment of the two couple forces can be determined about *any point*. For convenience, this point is often chosen on the line of action of one of the forces in order to eliminate the moment of this force about the point.
- In three dimensions the couple moment is often determined using the vector formulation, $\mathbf{M} = \mathbf{r} \times \mathbf{F}$, where \mathbf{r} is directed from *any point* on the line of action of one of the forces to *any point* on the line of action of the other force \mathbf{F} .
- A resultant couple moment is simply the vector sum of all the couple moments of the system.

EXAMPLE 4.10

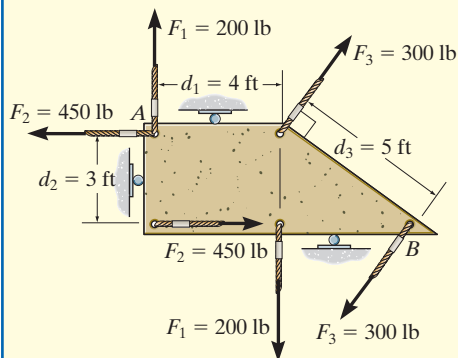


Fig. 4-30

Determine the resultant couple moment of the three couples acting on the plate in Fig. 4-30.

SOLUTION

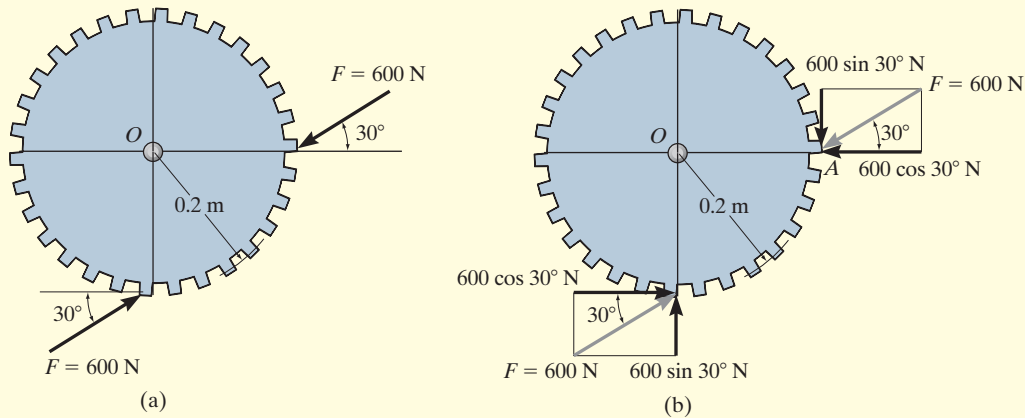
As shown the perpendicular distances between each pair of couple forces are $d_1 = 4$ ft, $d_2 = 3$ ft, and $d_3 = 5$ ft. Considering counterclockwise couple moments as positive, we have

$$\begin{aligned} \zeta + M_R &= \Sigma M; M_R = -F_1 d_1 + F_2 d_2 - F_3 d_3 \\ &= (-200 \text{ lb})(4 \text{ ft}) + (450 \text{ lb})(3 \text{ ft}) - (300 \text{ lb})(5 \text{ ft}) \\ &= -950 \text{ lb} \cdot \text{ft} = 950 \text{ lb} \cdot \text{ft} \quad \text{Ans.} \end{aligned}$$

The negative sign indicates that \mathbf{M}_R has a clockwise rotational sense.

EXAMPLE 4.11

Determine the magnitude and direction of the couple moment acting on the gear in Fig. 4–31a.



SOLUTION

The easiest solution requires resolving each force into its components as shown in Fig. 4–31b. The couple moment can be determined by summing the moments of these force components about any point, for example, the center O of the gear or point A . If we consider counterclockwise moments as positive, we have

$$\begin{aligned} \zeta + M &= \Sigma M_O; M = (600 \cos 30^\circ \text{ N})(0.2 \text{ m}) - (600 \sin 30^\circ \text{ N})(0.2 \text{ m}) \\ &= 43.9 \text{ N}\cdot\text{m} \quad \text{Ans.} \end{aligned}$$

or

$$\begin{aligned} \zeta + M &= \Sigma M_A; M = (600 \cos 30^\circ \text{ N})(0.2 \text{ m}) - (600 \sin 30^\circ \text{ N})(0.2 \text{ m}) \\ &= 43.9 \text{ N}\cdot\text{m} \quad \text{Ans.} \end{aligned}$$

This positive result indicates that \mathbf{M} has a counterclockwise rotational sense, so it is directed outward, perpendicular to the page.

NOTE: The same result can also be obtained using $M = Fd$, where d is the perpendicular distance between the lines of action of the couple forces, Fig. 4–31c. However, the computation for d is more involved. Realize that the couple moment is a free vector and can act at any point on the gear and produce the same turning effect about point O .

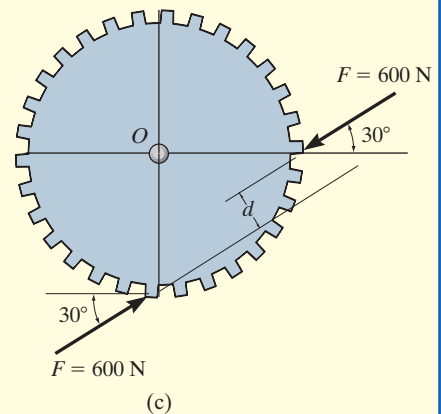
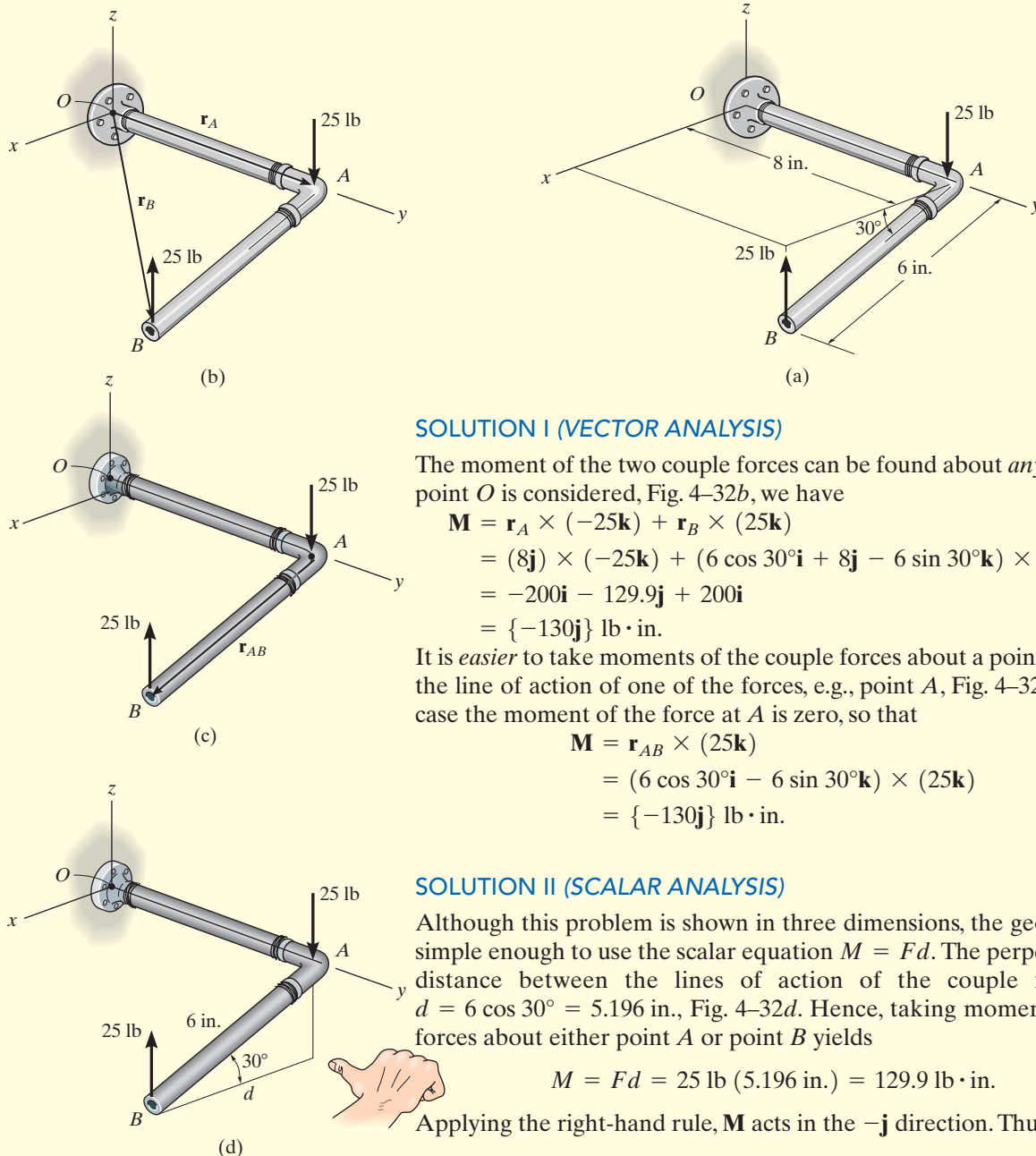


Fig. 4–31

EXAMPLE 4.12

Determine the couple moment acting on the pipe shown in Fig. 4–32*a*. Segment *AB* is directed 30° below the *x*–*y* plane.



SOLUTION I (VECTOR ANALYSIS)

The moment of the two couple forces can be found about *any point*. If point *O* is considered, Fig. 4–32*b*, we have

$$\begin{aligned} \mathbf{M} &= \mathbf{r}_A \times (-25\mathbf{k}) + \mathbf{r}_B \times (25\mathbf{k}) \\ &= (8\mathbf{j}) \times (-25\mathbf{k}) + (6 \cos 30^\circ \mathbf{i} + 8\mathbf{j} - 6 \sin 30^\circ \mathbf{k}) \times (25\mathbf{k}) \\ &= -200\mathbf{i} - 129.9\mathbf{j} + 200\mathbf{i} \\ &= \{-130\mathbf{j}\} \text{ lb} \cdot \text{in.} \end{aligned}$$

Ans.

It is *easier* to take moments of the couple forces about a point lying on the line of action of one of the forces, e.g., point *A*, Fig. 4–32*c*. In this case the moment of the force at *A* is zero, so that

$$\begin{aligned} \mathbf{M} &= \mathbf{r}_{AB} \times (25\mathbf{k}) \\ &= (6 \cos 30^\circ \mathbf{i} - 6 \sin 30^\circ \mathbf{k}) \times (25\mathbf{k}) \\ &= \{-130\mathbf{j}\} \text{ lb} \cdot \text{in.} \end{aligned}$$

Ans.

SOLUTION II (SCALAR ANALYSIS)

Although this problem is shown in three dimensions, the geometry is simple enough to use the scalar equation $M = Fd$. The perpendicular distance between the lines of action of the couple forces is $d = 6 \cos 30^\circ = 5.196$ in., Fig. 4–32*d*. Hence, taking moments of the forces about either point *A* or point *B* yields

$$M = Fd = 25 \text{ lb} (5.196 \text{ in.}) = 129.9 \text{ lb} \cdot \text{in.}$$

Applying the right-hand rule, \mathbf{M} acts in the $-\mathbf{j}$ direction. Thus,

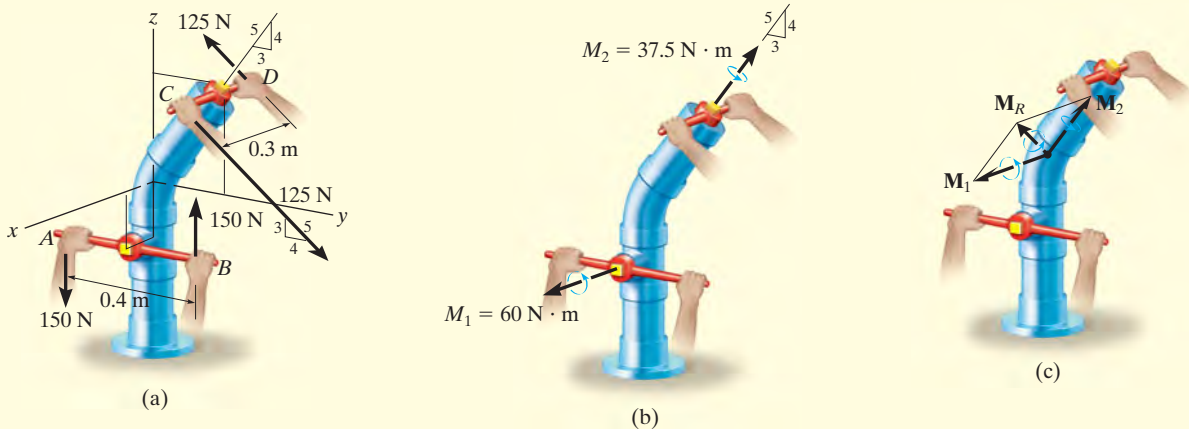
$$\mathbf{M} = \{-130\mathbf{j}\} \text{ lb} \cdot \text{in.}$$

Ans.

Fig. 4–32

EXAMPLE 4.13

Replace the two couples acting on the pipe column in Fig. 4–33a by a resultant couple moment.

**Fig. 4–33****SOLUTION (VECTOR ANALYSIS)**

The couple moment \mathbf{M}_1 , developed by the forces at A and B , can easily be determined from a scalar formulation.

$$M_1 = Fd = 150 \text{ N}(0.4 \text{ m}) = 60 \text{ N} \cdot \text{m}$$

By the right-hand rule, \mathbf{M}_1 acts in the $+\mathbf{i}$ direction, Fig. 4–33b. Hence,

$$\mathbf{M}_1 = \{60\mathbf{i}\} \text{ N} \cdot \text{m}$$

Vector analysis will be used to determine \mathbf{M}_2 , caused by forces at C and D . If moments are computed about point D , Fig. 4–33a, $\mathbf{M}_2 = \mathbf{r}_{DC} \times \mathbf{F}_C$, then

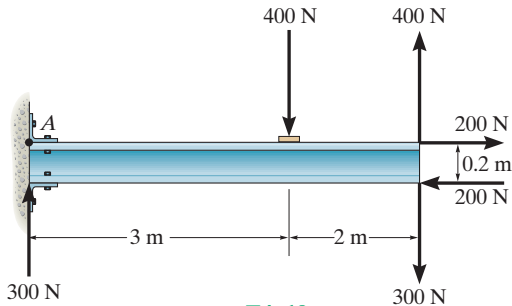
$$\begin{aligned} \mathbf{M}_2 &= \mathbf{r}_{DC} \times \mathbf{F}_C = (0.3\mathbf{i}) \times \left[125\left(\frac{4}{5}\right)\mathbf{j} - 125\left(\frac{3}{5}\right)\mathbf{k} \right] \\ &= (0.3\mathbf{i}) \times [100\mathbf{j} - 75\mathbf{k}] = 30(\mathbf{i} \times \mathbf{j}) - 22.5(\mathbf{i} \times \mathbf{k}) \\ &= \{22.5\mathbf{j} + 30\mathbf{k}\} \text{ N} \cdot \text{m} \end{aligned}$$

Since \mathbf{M}_1 and \mathbf{M}_2 are free vectors, they may be moved to some arbitrary point and added vectorially, Fig. 4–33c. The resultant couple moment becomes

$$\mathbf{M}_R = \mathbf{M}_1 + \mathbf{M}_2 = \{60\mathbf{i} + 22.5\mathbf{j} + 30\mathbf{k}\} \text{ N} \cdot \text{m} \quad \text{Ans.}$$

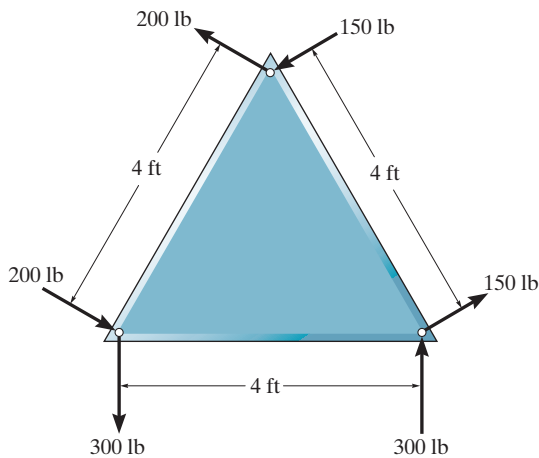
FUNDAMENTAL PROBLEMS

F4-19. Determine the resultant couple moment acting on the beam.



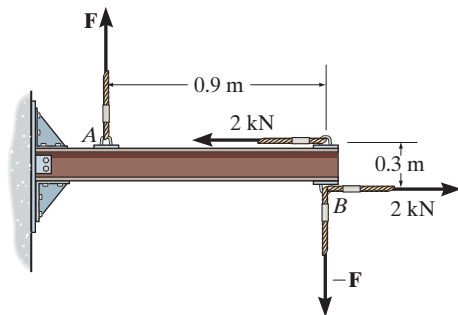
F4-19

F4-20. Determine the resultant couple moment acting on the triangular plate.



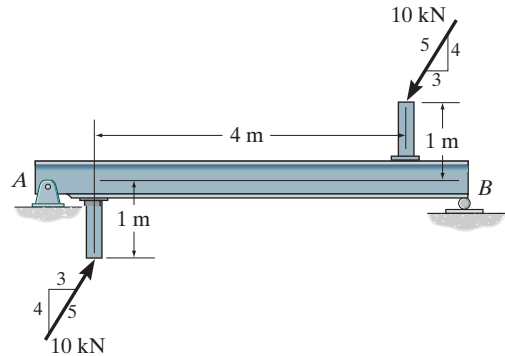
F4-20

F4-21. Determine the magnitude of F so that the resultant couple moment acting on the beam is $1.5 \text{ kN} \cdot \text{m}$ clockwise.



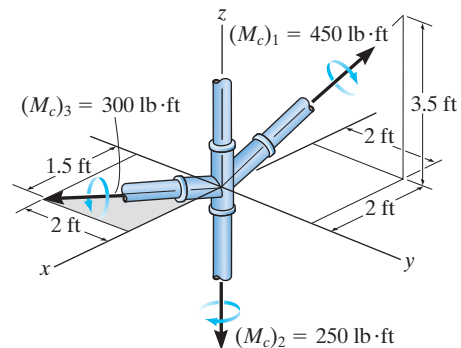
F4-21

F4-22. Determine the couple moment acting on the beam.



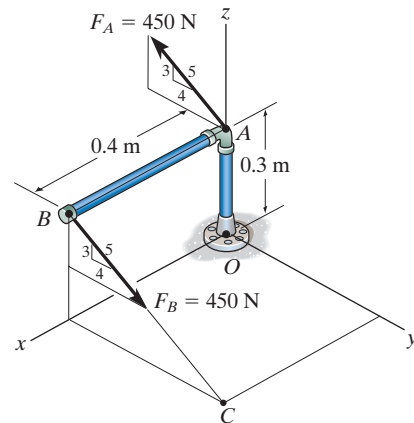
F4-22

F4-23. Determine the resultant couple moment acting on the pipe assembly.



F4-23

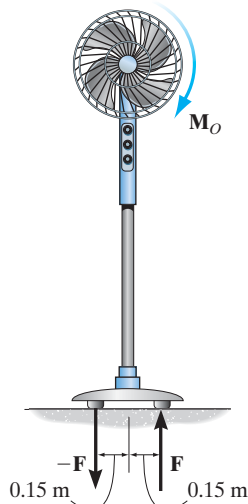
F4-24. Determine the couple moment acting on the pipe assembly and express the result as a Cartesian vector.



F4-24

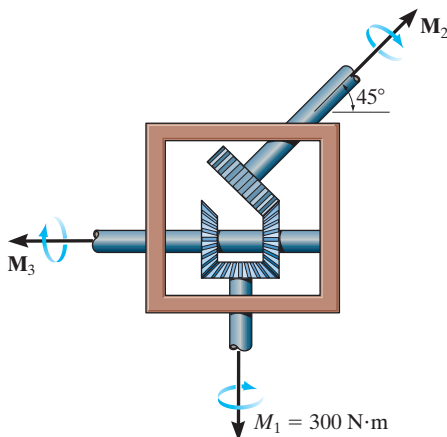
PROBLEMS

***4-72.** The frictional effects of the air on the blades of the standing fan creates a couple moment of $M_O = 6 \text{ N} \cdot \text{m}$ on the blades. Determine the magnitude of the couple forces at the base of the fan so that the resultant couple moment on the fan is zero.



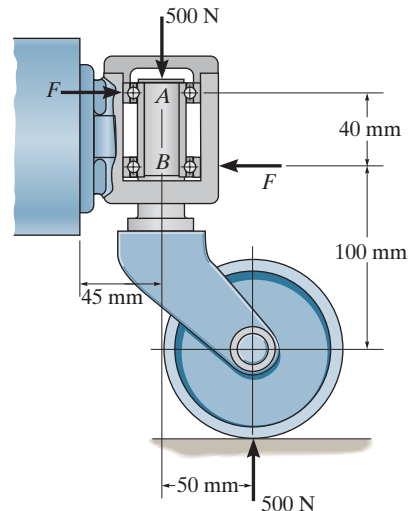
Prob. 4-72

•4-73. Determine the required magnitude of the couple moments M_2 and M_3 so that the resultant couple moment is zero.



Prob. 4-73

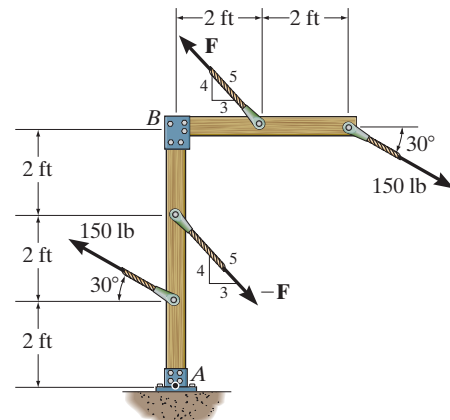
4-74. The caster wheel is subjected to the two couples. Determine the forces F that the bearings exert on the shaft so that the resultant couple moment on the caster is zero.



Prob. 4-74

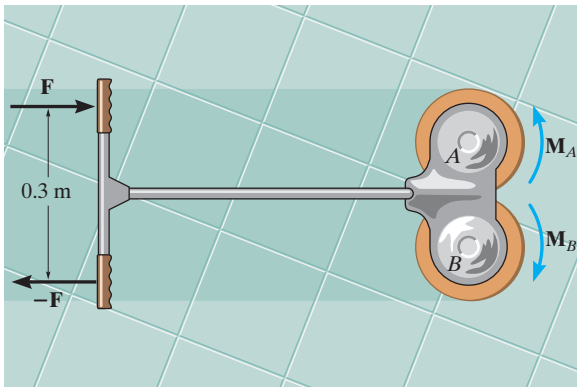
4-75. If $F = 200 \text{ lb}$, determine the resultant couple moment.

***4-76.** Determine the required magnitude of force F if the resultant couple moment on the frame is $200 \text{ lb} \cdot \text{ft}$, clockwise.



Probs. 4-75/76

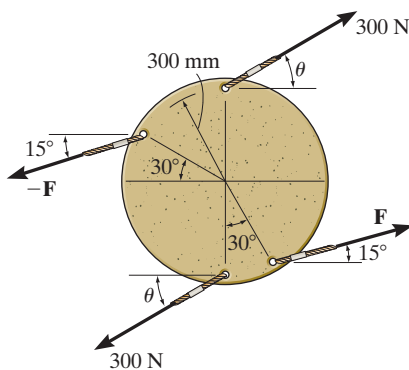
•4-77. The floor causes a couple moment of $M_A = 40 \text{ N} \cdot \text{m}$ and $M_B = 30 \text{ N} \cdot \text{m}$ on the brushes of the polishing machine. Determine the magnitude of the couple forces that must be developed by the operator on the handles so that the resultant couple moment on the polisher is zero. What is the magnitude of these forces if the brush at B suddenly stops so that $M_B = 0$?



Prob. 4-77

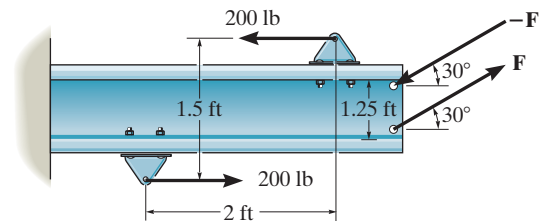
4-78. If $\theta = 30^\circ$, determine the magnitude of force \mathbf{F} so that the resultant couple moment is $100 \text{ N} \cdot \text{m}$, clockwise.

4-79. If $F = 200 \text{ N}$, determine the required angle θ so that the resultant couple moment is zero.



Probs. 4-78/79

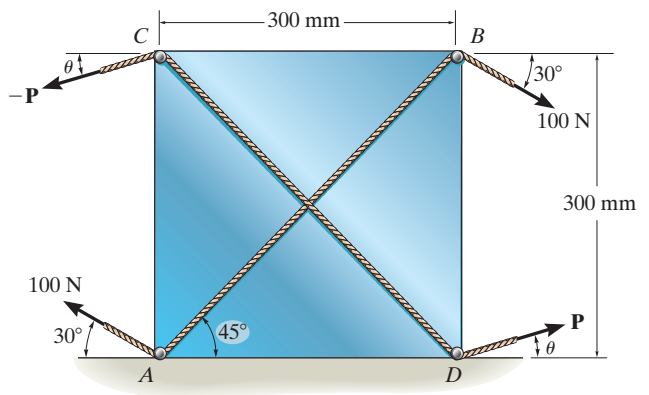
***4-80.** Two couples act on the beam. Determine the magnitude of \mathbf{F} so that the resultant couple moment is $450 \text{ lb} \cdot \text{ft}$, counterclockwise. Where on the beam does the resultant couple moment act?



Prob. 4-80

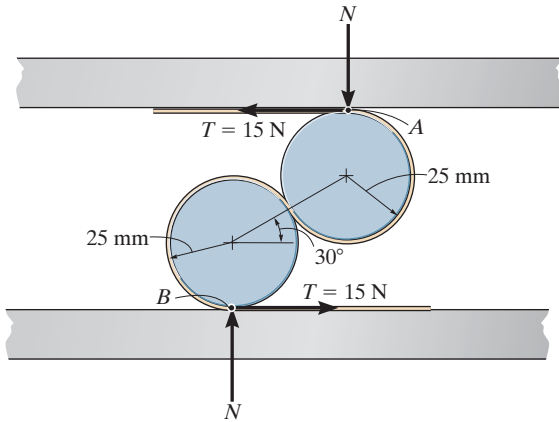
•4-81. The cord passing over the two small pegs A and B of the square board is subjected to a tension of 100 N . Determine the required tension P acting on the cord that passes over pegs C and D so that the resultant couple produced by the two couples is $15 \text{ N} \cdot \text{m}$ acting clockwise. Take $\theta = 15^\circ$.

4-82. The cord passing over the two small pegs A and B of the board is subjected to a tension of 100 N . Determine the *minimum* tension P and the orientation θ of the cord passing over pegs C and D , so that the resultant couple moment produced by the two cords is $20 \text{ N} \cdot \text{m}$, clockwise.



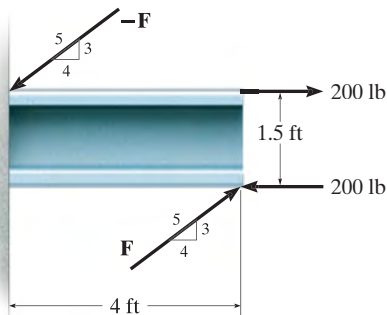
Probs. 4-81/82

4-83. A device called a rolamite is used in various ways to replace slipping motion with rolling motion. If the belt, which wraps between the rollers, is subjected to a tension of 15 N, determine the reactive forces N of the top and bottom plates on the rollers so that the resultant couple acting on the rollers is equal to zero.



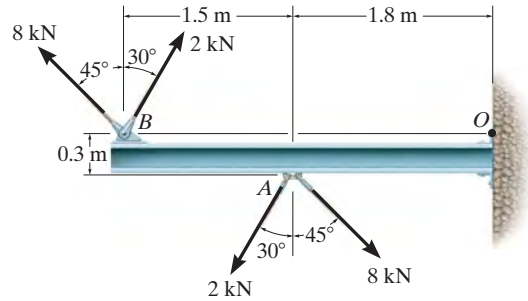
Prob. 4-83

***4-84.** Two couples act on the beam as shown. Determine the magnitude of F so that the resultant couple moment is $300 \text{ lb} \cdot \text{ft}$ counterclockwise. Where on the beam does the resultant couple act?



Prob. 4-84

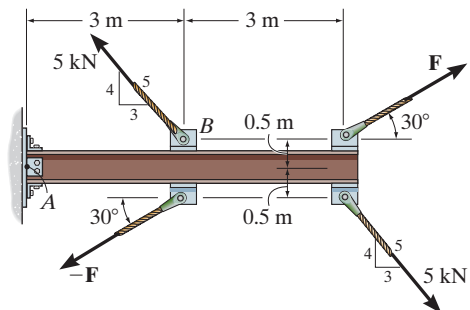
4-85. Determine the resultant couple moment acting on the beam. Solve the problem two ways: (a) sum moments about point O ; and (b) sum moments about point A .



Prob. 4-85

4-86. Two couples act on the cantilever beam. If $F = 6 \text{ kN}$, determine the resultant couple moment.

4-87. Determine the required magnitude of force F , if the resultant couple moment on the beam is to be zero.

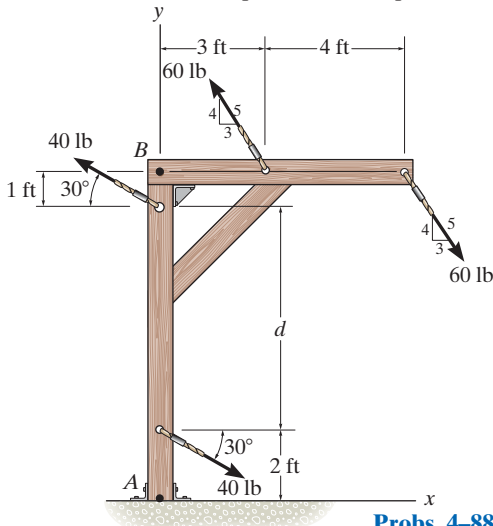


Probs. 4-86/87

***4-88.** Two couples act on the frame. If the resultant couple moment is to be zero, determine the distance d between the 40-lb couple forces.

***4-89.** Two couples act on the frame. If $d = 4$ ft, determine the resultant couple moment. Compute the result by resolving each force into x and y components and (a) finding the moment of each couple (Eq. 4-13) and (b) summing the moments of all the force components about point A .

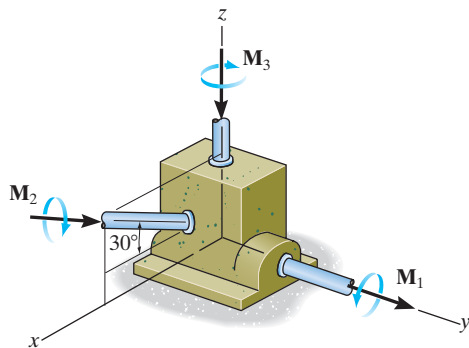
4-90. Two couples act on the frame. If $d = 4$ ft, determine the resultant couple moment. Compute the result by resolving each force into x and y components and (a) finding the moment of each couple (Eq. 4-13) and (b) summing the moments of all the force components about point B .



Probs. 4-88/89/90

4-91. If $M_1 = 500 \text{ N}\cdot\text{m}$, $M_2 = 600 \text{ N}\cdot\text{m}$, and $M_3 = 450 \text{ N}\cdot\text{m}$, determine the magnitude and coordinate direction angles of the resultant couple moment.

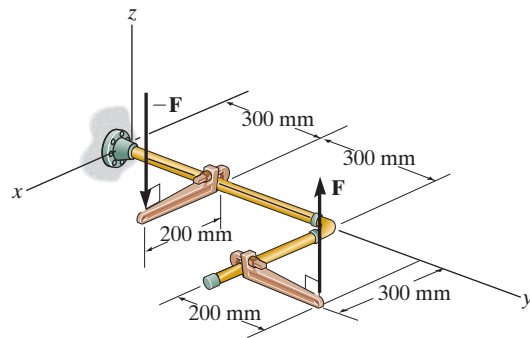
***4-92.** Determine the required magnitude of couple moments M_1 , M_2 , and M_3 so that the resultant couple moment is $\mathbf{M}_R = \{-300\mathbf{i} + 450\mathbf{j} - 600\mathbf{k}\} \text{ N}\cdot\text{m}$.



Probs. 4-91/92

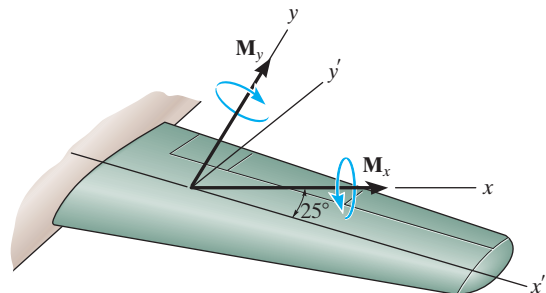
***4-93.** If $F = 80 \text{ N}$, determine the magnitude and coordinate direction angles of the couple moment. The pipe assembly lies in the x - y plane.

4-94. If the magnitude of the couple moment acting on the pipe assembly is $50 \text{ N}\cdot\text{m}$, determine the magnitude of the couple forces applied to each wrench. The pipe assembly lies in the x - y plane.



Probs. 4-93/94

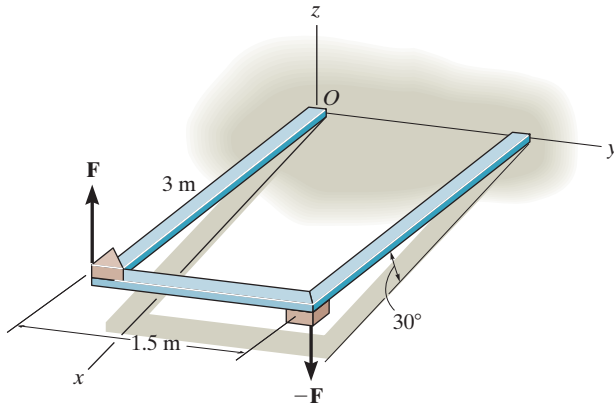
4-95. From load calculations it is determined that the wing is subjected to couple moments $M_x = 17 \text{ kip}\cdot\text{ft}$ and $M_y = 25 \text{ kip}\cdot\text{ft}$. Determine the resultant couple moments created about the x' and y' axes. The axes all lie in the same horizontal plane.



Prob. 4-95

*4-96. Express the moment of the couple acting on the frame in Cartesian vector form. The forces are applied perpendicular to the frame. What is the magnitude of the couple moment? Take $F = 50 \text{ N}$.

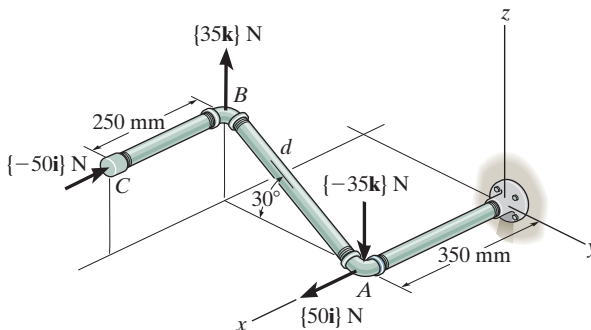
•4-97. In order to turn over the frame, a couple moment is applied as shown. If the component of this couple moment along the x axis is $\mathbf{M}_x = \{-20\mathbf{i}\} \text{ N}\cdot\text{m}$, determine the magnitude F of the couple forces.



Probs. 4-96/97

4-98. Determine the resultant couple moment of the two couples that act on the pipe assembly. The distance from A to B is $d = 400 \text{ mm}$. Express the result as a Cartesian vector.

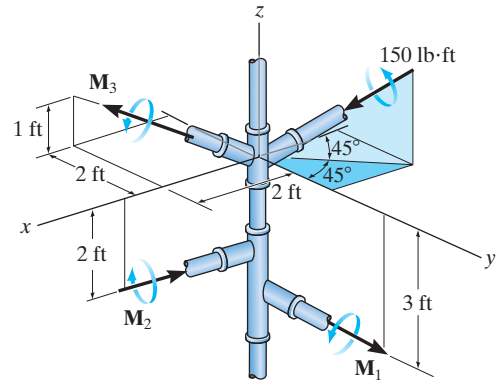
4-99. Determine the distance d between A and B so that the resultant couple moment has a magnitude of $M_R = 20 \text{ N}\cdot\text{m}$.



Probs. 4-98/99

*4-100. If $M_1 = 180 \text{ lb}\cdot\text{ft}$, $M_2 = 90 \text{ lb}\cdot\text{ft}$, and $M_3 = 120 \text{ lb}\cdot\text{ft}$, determine the magnitude and coordinate direction angles of the resultant couple moment.

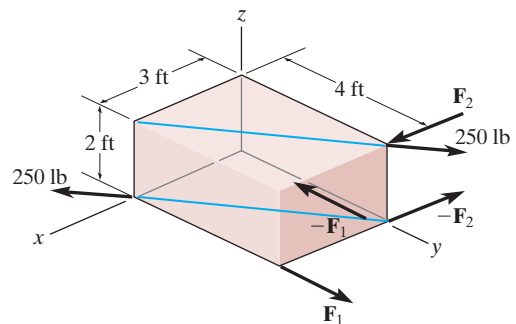
•4-101. Determine the magnitudes of couple moments \mathbf{M}_1 , \mathbf{M}_2 , and \mathbf{M}_3 so that the resultant couple moment is zero.



Probs. 4-100/101

4-102. If $F_1 = 100 \text{ lb}$ and $F_2 = 200 \text{ lb}$, determine the magnitude and coordinate direction angles of the resultant couple moment.

4-103. Determine the magnitude of couple forces \mathbf{F}_1 and \mathbf{F}_2 so that the resultant couple moment acting on the block is zero.



Probs. 4-102/103

4.7 Simplification of a Force and Couple System

Sometimes it is convenient to reduce a system of forces and couple moments acting on a body to a simpler form by replacing it with an *equivalent system*, consisting of a single resultant force acting at a specific point and a resultant couple moment. A system is equivalent if the *external effects* it produces on a body are the same as those caused by the original force and couple moment system. In this context, the external effects of a system refer to the *translating and rotating motion* of the body if the body is free to move, or it refers to the *reactive forces* at the supports if the body is held fixed.

For example, consider holding the stick in Fig. 4–34a, which is subjected to the force \mathbf{F} at point A . If we attach a pair of equal but opposite forces \mathbf{F} and $-\mathbf{F}$ at point B , which is *on the line of action* of \mathbf{F} , Fig. 4–34b, we observe that $-\mathbf{F}$ at B and \mathbf{F} at A will cancel each other, leaving only \mathbf{F} at B , Fig. 4–34c. Force \mathbf{F} has now been moved from A to B without modifying its *external effects* on the stick; i.e., the reaction at the grip remains the same. This demonstrates the *principle of transmissibility*, which states that a force acting on a body (stick) is a *sliding vector* since it can be applied at any point along its line of action.

We can also use the above procedure to move a force to a point that is *not* on the line of action of the force. If \mathbf{F} is applied perpendicular to the stick, as in Fig. 4–35a, then we can attach a pair of equal but opposite forces \mathbf{F} and $-\mathbf{F}$ to B , Fig. 4–35b. Force \mathbf{F} is now applied at B , and the other two forces, \mathbf{F} at A and $-\mathbf{F}$ at B , form a couple that produces the couple moment $M = Fd$, Fig. 4–35c. Therefore, the force \mathbf{F} can be moved from A to B provided a couple moment \mathbf{M} is added to maintain an equivalent system. This couple moment is determined by taking the moment of \mathbf{F} about B . Since \mathbf{M} is actually a *free vector*, it can act at any point on the stick. In both cases the systems are equivalent which causes a downward force \mathbf{F} and clockwise couple moment $M = Fd$ to be felt at the grip.

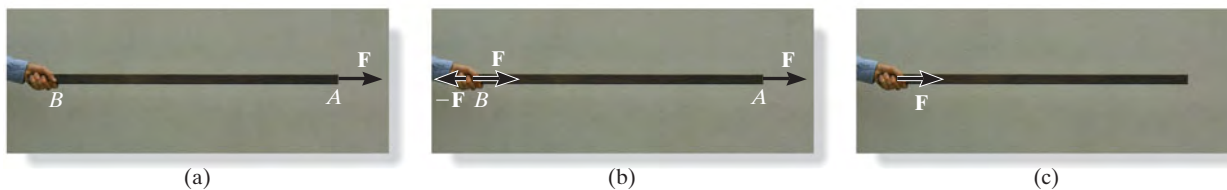


Fig. 4–34

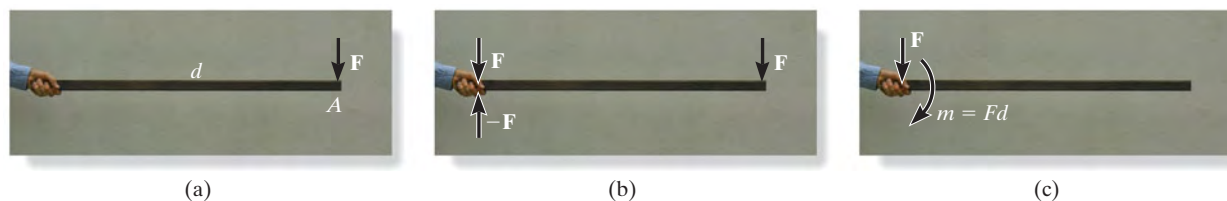


Fig. 4–35

System of Forces and Couple Moments. Using the above method, a system of several forces and couple moments acting on a body can be reduced to an equivalent single resultant force acting at a point O and a resultant couple moment. For example, in Fig. 4–36*a*, O is not on the line of action of \mathbf{F}_1 , and so this force can be moved to point O provided a couple moment $\mathbf{M}_1 = \mathbf{r}_1 \times \mathbf{F}_1$ is added to the body. Similarly, the couple moment $\mathbf{M}_2 = \mathbf{r}_2 \times \mathbf{F}_2$ should be added to the body when we move \mathbf{F}_2 to point O . Finally, since the couple moment \mathbf{M} is a free vector, it can just be moved to point O . By doing this, we obtain the equivalent system shown in Fig. 4–36*b*, which produces the same external effects (support reactions) on the body as that of the force and couple system shown in Fig. 4–36*a*. If we sum the forces and couple moments, we obtain the resultant force $\mathbf{F}_R = \mathbf{F}_1 + \mathbf{F}_2$ and the resultant couple moment $(\mathbf{M}_R)_O = \mathbf{M} + \mathbf{M}_1 + \mathbf{M}_2$, Fig. 4–36*c*.

Notice that \mathbf{F}_R is independent of the location of point O ; however, $(\mathbf{M}_R)_O$ depends upon this location since the moments \mathbf{M}_1 and \mathbf{M}_2 are determined using the position vectors \mathbf{r}_1 and \mathbf{r}_2 . Also note that $(\mathbf{M}_R)_O$ is a free vector and can act at *any point* on the body, although point O is generally chosen as its point of application.

We can generalize the above method of reducing a force and couple system to an equivalent resultant force \mathbf{F}_R acting at point O and a resultant couple moment $(\mathbf{M}_R)_O$ by using the following two equations.

$$\begin{aligned} \mathbf{F}_R &= \Sigma \mathbf{F} \\ (\mathbf{M}_R)_O &= \Sigma \mathbf{M}_O + \Sigma \mathbf{M} \end{aligned} \quad (4-17)$$

The first equation states that the resultant force of the system is equivalent to the sum of all the forces; and the second equation states that the resultant couple moment of the system is equivalent to the sum of all the couple moments $\Sigma \mathbf{M}$ plus the moments of all the forces $\Sigma \mathbf{M}_O$ about point O . If the force system lies in the x - y plane and any couple moments are perpendicular to this plane, then the above equations reduce to the following three scalar equations.

$$\begin{aligned} (F_R)_x &= \Sigma F_x \\ (F_R)_y &= \Sigma F_y \\ (M_R)_O &= \Sigma M_O + \Sigma M \end{aligned} \quad (4-18)$$

Here the resultant force is determined from the vector sum of its two components $(F_R)_x$ and $(F_R)_y$.

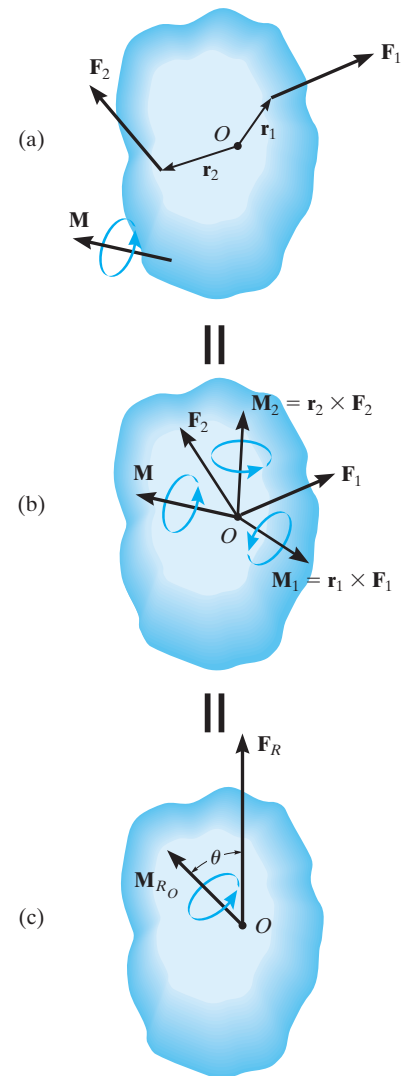
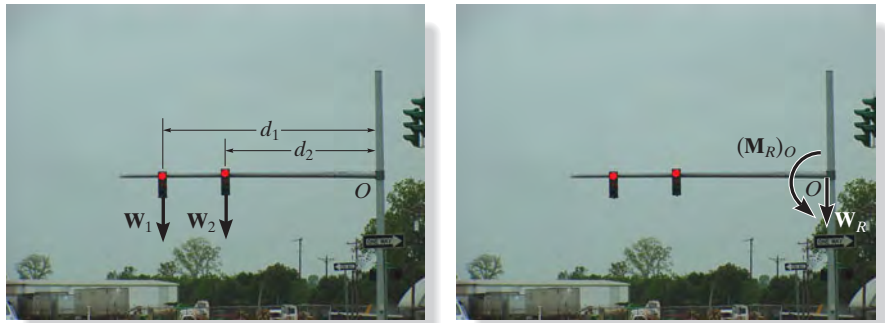


Fig. 4-36



The weights of these traffic lights can be replaced by their equivalent resultant force $W_R = W_1 + W_2$ and a couple moment $(M_R)_O = W_1 d_1 + W_2 d_2$ at the support, O . In both cases the support must provide the same resistance to translation and rotation in order to keep the member in the horizontal position.

4

Procedure for Analysis

The following points should be kept in mind when simplifying a force and couple moment system to an equivalent resultant force and couple system.

- Establish the coordinate axes with the origin located at point O and the axes having a selected orientation.

Force Summation.

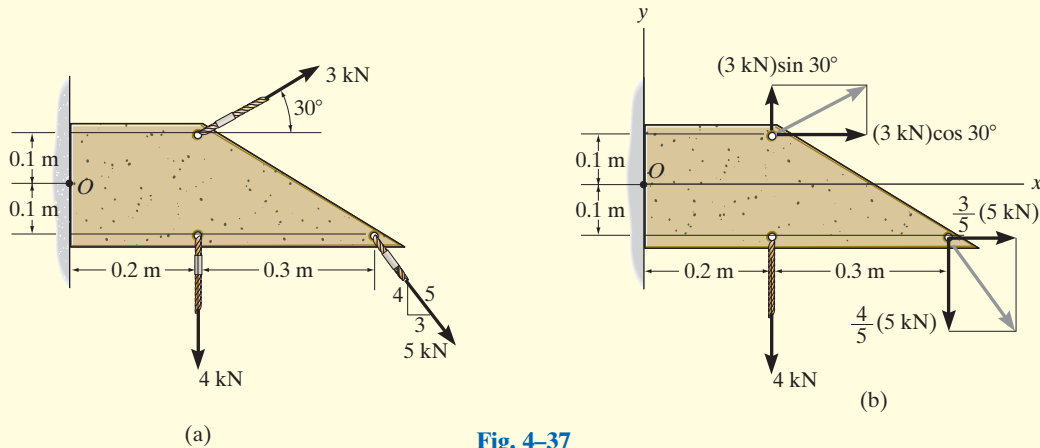
- If the force system is *coplanar*, resolve each force into its x and y components. If a component is directed along the positive x or y axis, it represents a positive scalar; whereas if it is directed along the negative x or y axis, it is a negative scalar.
- In three dimensions, represent each force as a Cartesian vector before summing the forces.

Moment Summation.

- When determining the moments of a *coplanar* force system about point O , it is generally advantageous to use the principle of moments, i.e., determine the moments of the components of each force, rather than the moment of the force itself.
- In three dimensions use the vector cross product to determine the moment of each force about point O . Here the position vectors extend from O to any point on the line of action of each force.

EXAMPLE 4.14

Replace the force and couple system shown in Fig. 4–37a by an equivalent resultant force and couple moment acting at point O .

**Fig. 4–37****SOLUTION**

Force Summation. The 3 kN and 5 kN forces are resolved into their x and y components as shown in Fig. 4–37b. We have

$$+\rightarrow (F_R)_x = \Sigma F_x; \quad (F_R)_x = (3 \text{ kN})\cos 30^\circ + \left(\frac{3}{5}\right)(5 \text{ kN}) = 5.598 \text{ kN} \rightarrow$$

$$+\uparrow (F_R)_y = \Sigma F_y; \quad (F_R)_y = (3 \text{ kN})\sin 30^\circ - \left(\frac{4}{5}\right)(5 \text{ kN}) - 4 \text{ kN} = -6.50 \text{ kN} = 6.50 \text{ kN} \downarrow$$

Using the Pythagorean theorem, Fig. 4–37c, the magnitude of \mathbf{F}_R is

$$F_R = \sqrt{(F_R)_x^2 + (F_R)_y^2} = \sqrt{(5.598 \text{ kN})^2 + (6.50 \text{ kN})^2} = 8.58 \text{ kN} \quad \text{Ans.}$$

Its direction θ is

$$\theta = \tan^{-1}\left(\frac{(F_R)_y}{(F_R)_x}\right) = \tan^{-1}\left(\frac{6.50 \text{ kN}}{5.598 \text{ kN}}\right) = 49.3^\circ \quad \text{Ans.}$$

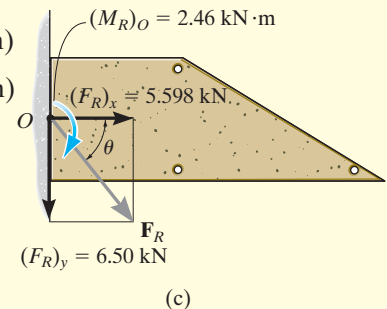
Moment Summation. The moments of 3 kN and 5 kN about point O will be determined using their x and y components. Referring to Fig. 4–37b, we have

$$\zeta + (M_R)_O = \Sigma M_O;$$

$$\begin{aligned} (M_R)_O &= (3 \text{ kN})\sin 30^\circ(0.2 \text{ m}) - (3 \text{ kN})\cos 30^\circ(0.1 \text{ m}) + \left(\frac{3}{5}\right)(5 \text{ kN})(0.1 \text{ m}) \\ &\quad - \left(\frac{4}{5}\right)(5 \text{ kN})(0.5 \text{ m}) - (4 \text{ kN})(0.2 \text{ m}) \\ &= -2.46 \text{ kN} \cdot \text{m} = 2.46 \text{ kN} \cdot \text{m} \zeta \quad \text{Ans.} \end{aligned}$$

This clockwise moment is shown in Fig. 4–37c.

NOTE: Realize that the resultant force and couple moment in Fig. 4–37c will produce the same external effects or reactions at the supports as those produced by the force system, Fig. 4–37a.



EXAMPLE 4.15

Replace the force and couple system acting on the member in Fig. 4–38a by an equivalent resultant force and couple moment acting at point O .

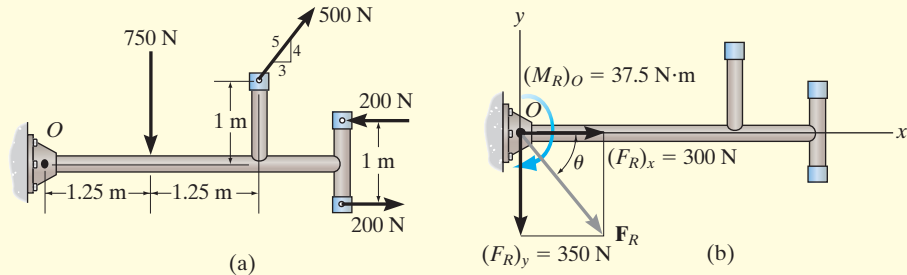


Fig. 4–38

SOLUTION

Force Summation. Since the couple forces of 200 N are equal but opposite, they produce a zero resultant force, and so it is not necessary to consider them in the force summation. The 500-N force is resolved into its x and y components, thus,

$$\rightarrow (F_R)_x = \Sigma F_x; (F_R)_x = \left(\frac{3}{5}\right)(500 \text{ N}) = 300 \text{ N} \rightarrow$$

$$+\uparrow (F_R)_y = \Sigma F_y; (F_R)_y = (500 \text{ N})\left(\frac{4}{5}\right) - 750 \text{ N} = -350 \text{ N} = 350 \text{ N} \downarrow$$

From Fig. 4–15b, the magnitude of \mathbf{F}_R is

$$\begin{aligned} F_R &= \sqrt{(F_R)_x^2 + (F_R)_y^2} \\ &= \sqrt{(300 \text{ N})^2 + (350 \text{ N})^2} = 461 \text{ N} \end{aligned} \quad \text{Ans.}$$

And the angle θ is

$$\theta = \tan^{-1}\left(\frac{(F_R)_y}{(F_R)_x}\right) = \tan^{-1}\left(\frac{350 \text{ N}}{300 \text{ N}}\right) = 49.4^\circ \quad \text{Ans.}$$

Moment Summation. Since the couple moment is a free vector, it can act at any point on the member. Referring to Fig. 4–38a, we have

$$\zeta + (M_R)_O = \Sigma M_O + \Sigma M_C;$$

$$\begin{aligned} (M_R)_O &= (500 \text{ N})\left(\frac{4}{5}\right)(2.5 \text{ m}) - (500 \text{ N})\left(\frac{3}{5}\right)(1 \text{ m}) \\ &\quad - (750 \text{ N})(1.25 \text{ m}) + 200 \text{ N}\cdot\text{m} \\ &= -37.5 \text{ N}\cdot\text{m} = 37.5 \text{ N}\cdot\text{m} \curvearrowright \end{aligned} \quad \text{Ans.}$$

This clockwise moment is shown in Fig. 4–38b.

EXAMPLE 4.16

The structural member is subjected to a couple moment \mathbf{M} and forces \mathbf{F}_1 and \mathbf{F}_2 in Fig. 4–39a. Replace this system by an equivalent resultant force and couple moment acting at its base, point O .

SOLUTION (VECTOR ANALYSIS)

The three-dimensional aspects of the problem can be simplified by using a Cartesian vector analysis. Expressing the forces and couple moment as Cartesian vectors, we have

$$\mathbf{F}_1 = \{-800\mathbf{k}\} \text{ N}$$

$$\mathbf{F}_2 = (300 \text{ N})\mathbf{u}_{CB}$$

$$= (300 \text{ N})\left(\frac{\mathbf{r}_{CB}}{r_{CB}}\right)$$

$$= 300 \text{ N} \left[\frac{\{-0.15\mathbf{i} + 0.1\mathbf{j}\} \text{ m}}{\sqrt{(-0.15 \text{ m})^2 + (0.1 \text{ m})^2}} \right] = \{-249.6\mathbf{i} + 166.4\mathbf{j}\} \text{ N}$$

$$\mathbf{M} = -500\left(\frac{4}{5}\right)\mathbf{j} + 500\left(\frac{3}{5}\right)\mathbf{k} = \{-400\mathbf{j} + 300\mathbf{k}\} \text{ N} \cdot \text{m}$$

Force Summation.

$$\begin{aligned} \mathbf{F}_R = \Sigma \mathbf{F}; \quad \mathbf{F}_R = \mathbf{F}_1 + \mathbf{F}_2 &= -800\mathbf{k} - 249.6\mathbf{i} + 166.4\mathbf{j} \\ &= \{-250\mathbf{i} + 166\mathbf{j} - 800\mathbf{k}\} \text{ N} \end{aligned}$$

*Ans.***Moment Summation.**

$$\mathbf{M}_{R_O} = \Sigma \mathbf{M} + \Sigma \mathbf{M}_O$$

$$\mathbf{M}_{R_O} = \mathbf{M} + \mathbf{r}_C \times \mathbf{F}_1 + \mathbf{r}_B \times \mathbf{F}_2$$

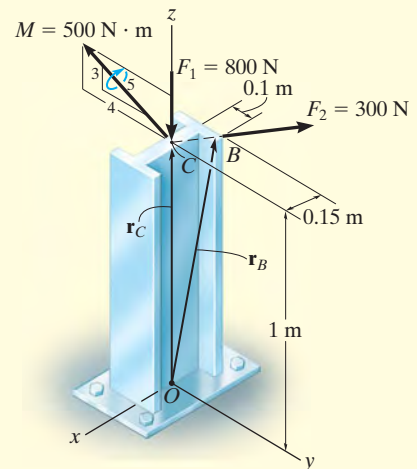
$$\mathbf{M}_{R_O} = (-400\mathbf{j} + 300\mathbf{k}) + (1\mathbf{k}) \times (-800\mathbf{k}) + \begin{vmatrix} \mathbf{i} & \mathbf{j} & \mathbf{k} \\ -0.15 & 0.1 & 1 \\ -249.6 & 166.4 & 0 \end{vmatrix}$$

$$= (-400\mathbf{j} + 300\mathbf{k}) + (\mathbf{0}) + (-166.4\mathbf{i} - 249.6\mathbf{j})$$

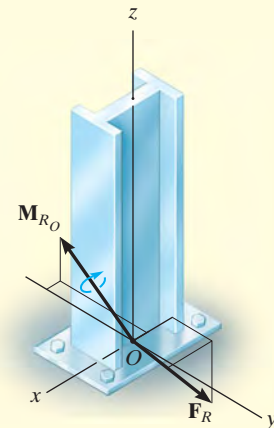
$$= \{-166\mathbf{i} - 650\mathbf{j} + 300\mathbf{k}\} \text{ N} \cdot \text{m}$$

Ans.

The results are shown in Fig. 4–39b.



(a)

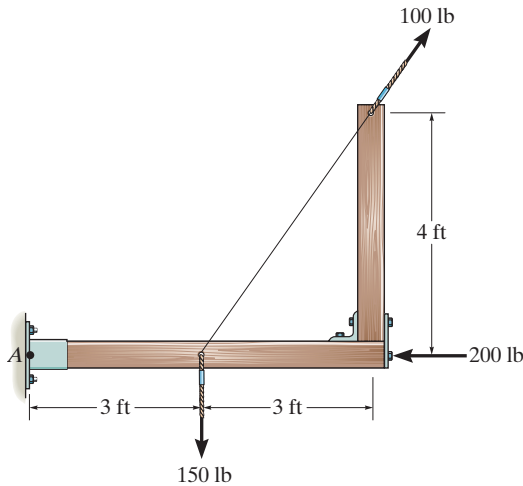


(b)

Fig. 4–39

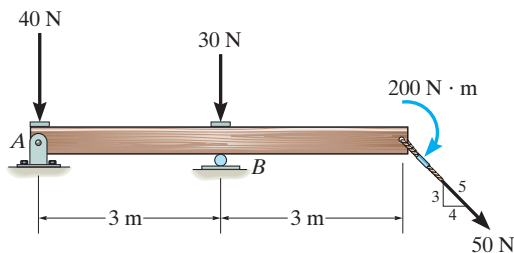
FUNDAMENTAL PROBLEMS

F4-25. Replace the loading system by an equivalent resultant force and couple moment acting at point *A*.



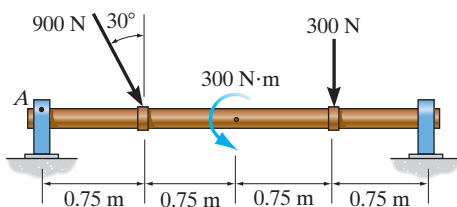
F4-25

F4-26. Replace the loading system by an equivalent resultant force and couple moment acting at point *A*.



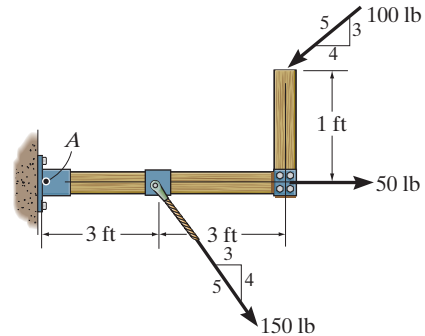
F4-26

F4-27. Replace the loading system by an equivalent resultant force and couple moment acting at point *A*.



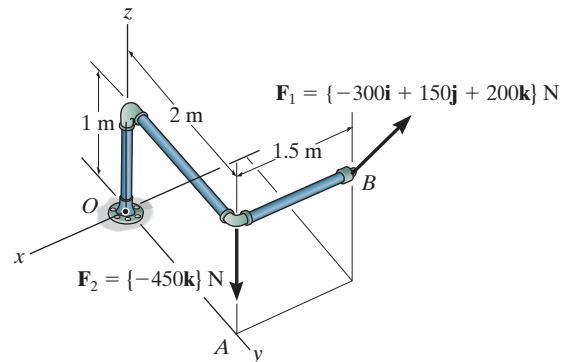
F4-27

F4-28. Replace the loading system by an equivalent resultant force and couple moment acting at point *A*.



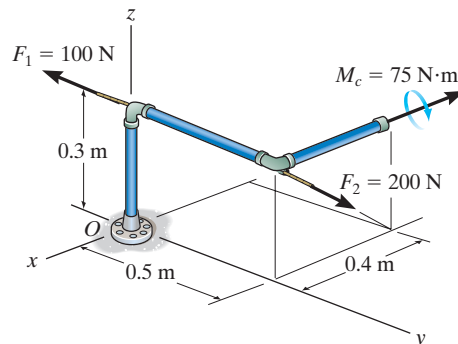
F4-28

F4-29. Replace the loading system by an equivalent resultant force and couple moment acting at point *O*.



F4-29

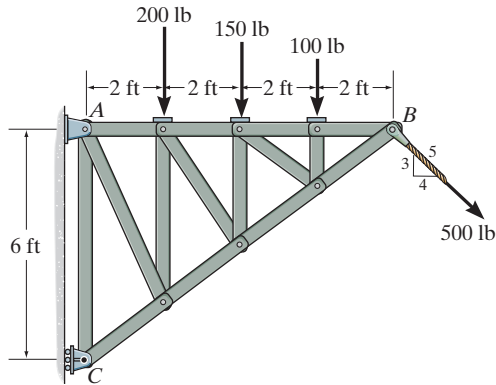
F4-30. Replace the loading system by an equivalent resultant force and couple moment acting at point *O*.



F4-30

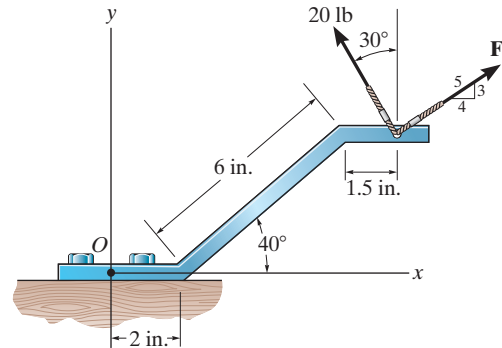
PROBLEMS

***4-104.** Replace the force system acting on the truss by a resultant force and couple moment at point C .



Prob. 4-104

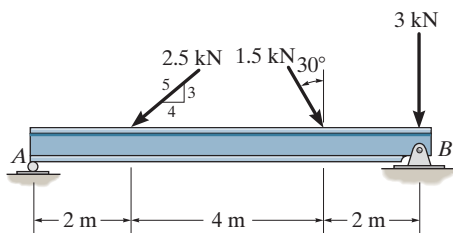
4-107. Replace the two forces by an equivalent resultant force and couple moment at point O . Set $F = 20$ lb.



Probs. 4-107/108

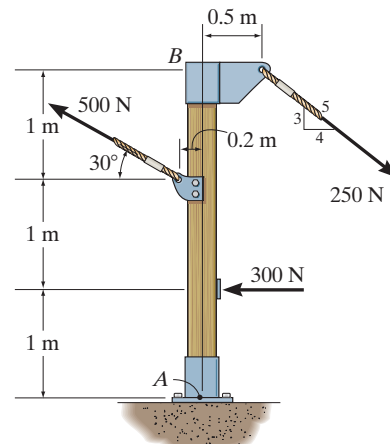
•4-105. Replace the force system acting on the beam by an equivalent force and couple moment at point A .

4-106. Replace the force system acting on the beam by an equivalent force and couple moment at point B .



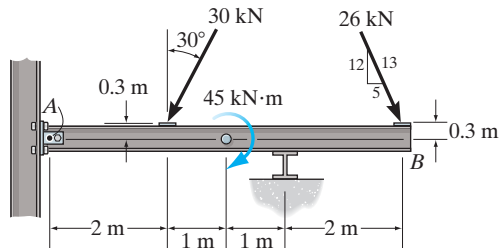
Probs. 4-105/106

•4-109. Replace the force system acting on the post by a resultant force and couple moment at point A .



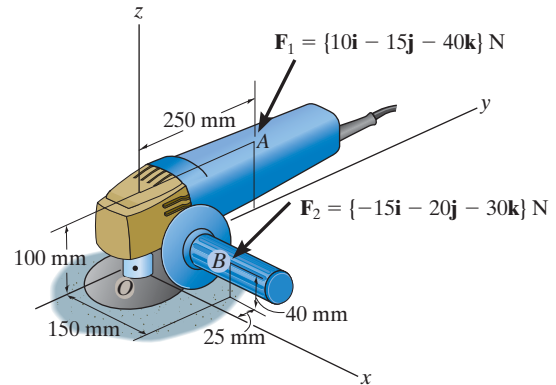
Prob. 4-109

4-110. Replace the force and couple moment system acting on the overhang beam by a resultant force and couple moment at point A .



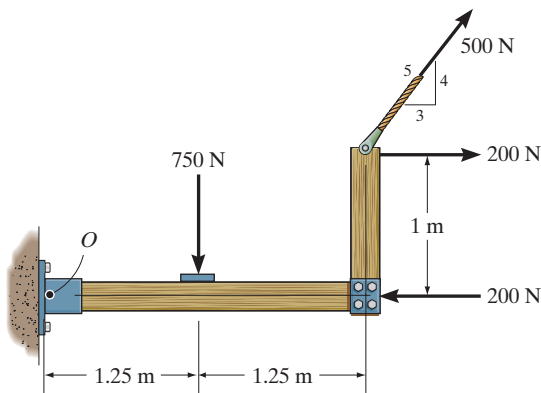
Prob. 4-110

***4-112.** Replace the two forces acting on the grinder by a resultant force and couple moment at point O . Express the results in Cartesian vector form.



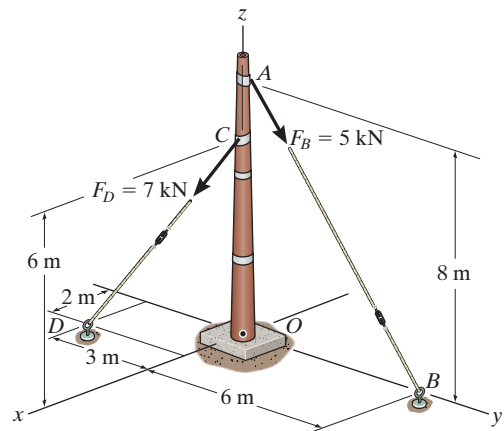
Prob. 4-112

4-111. Replace the force system by a resultant force and couple moment at point O .



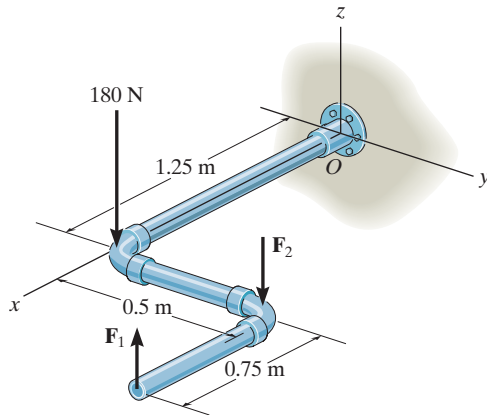
Prob. 4-111

•4-113. Replace the two forces acting on the post by a resultant force and couple moment at point O . Express the results in Cartesian vector form.



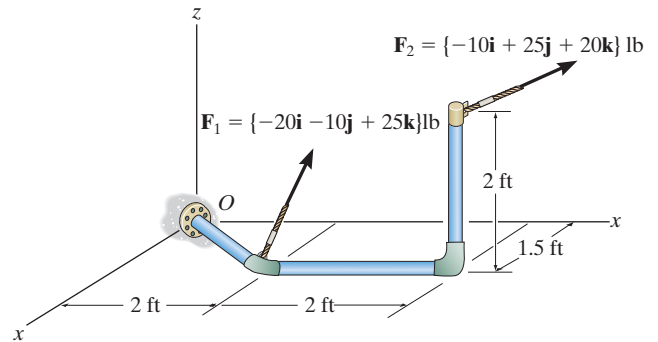
Prob. 4-113

4-114. The three forces act on the pipe assembly. If $F_1 = 50\text{ N}$ and $F_2 = 80\text{ N}$, replace this force system by an equivalent resultant force and couple moment acting at O . Express the results in Cartesian vector form.



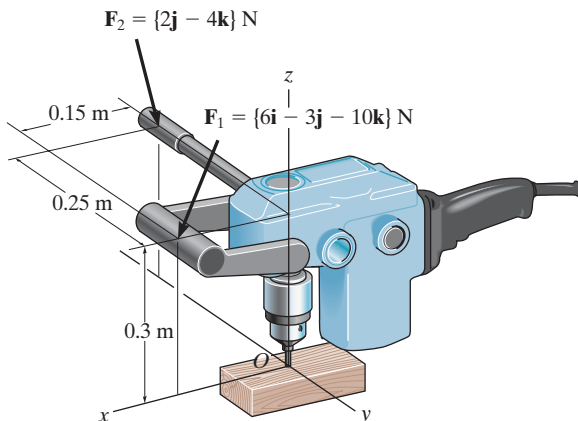
Prob. 4-114

***4-116.** Replace the force system acting on the pipe assembly by a resultant force and couple moment at point O . Express the results in Cartesian vector form.



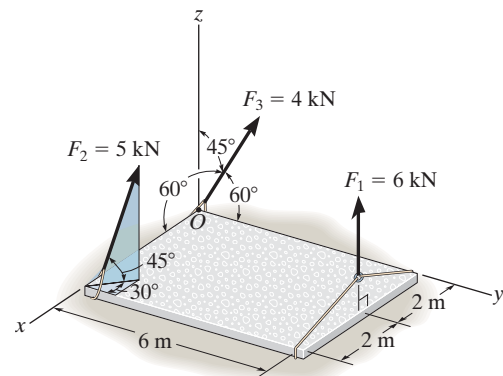
Prob. 4-116

4-115. Handle forces F_1 and F_2 are applied to the electric drill. Replace this force system by an equivalent resultant force and couple moment acting at point O . Express the results in Cartesian vector form.



Prob. 4-115

•4-117. The slab is to be hoisted using the three slings shown. Replace the system of forces acting on slings by an equivalent force and couple moment at point O . The force F_1 is vertical.



Prob. 4-117

4.8 Further Simplification of a Force and Couple System

In the preceding section, we developed a way to reduce a force and couple system acting on a rigid body into an equivalent resultant force \mathbf{F}_R acting at a specific point O and a resultant couple moment $(\mathbf{M}_R)_O$. The force system can be further reduced to an equivalent single resultant force provided the lines of action of \mathbf{F}_R and $(\mathbf{M}_R)_O$ are *perpendicular* to each other. Because of this condition, only concurrent, coplanar, and parallel force systems can be further simplified.

Concurrent Force System. Since a *concurrent force system* is one in which the lines of action of all the forces intersect at a common point O , Fig. 4-40a, then the force system produces no moment about this point. As a result, the equivalent system can be represented by a single resultant force $\mathbf{F}_R = \Sigma \mathbf{F}$ acting at O , Fig. 4-40b.

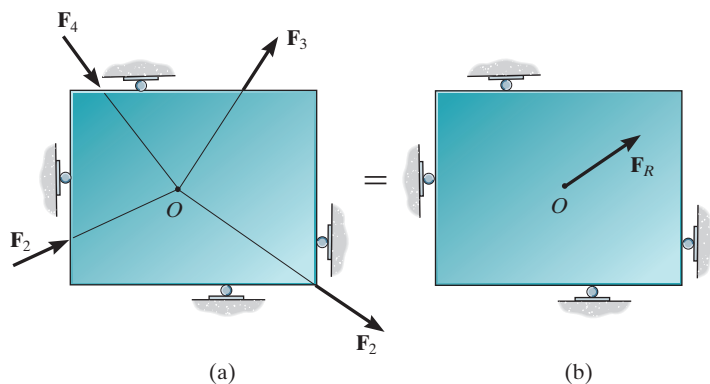


Fig. 4-40

Coplanar Force System. In the case of a *coplanar force system*, the lines of action of all the forces lie in the same plane, Fig. 4-41a, and so the resultant force $\mathbf{F}_R = \Sigma \mathbf{F}$ of this system also lies in this plane. Furthermore, the moment of each of the forces about any point O is directed perpendicular to this plane. Thus, the resultant moment $(\mathbf{M}_R)_O$ and resultant force \mathbf{F}_R will be *mutually perpendicular*, Fig. 4-41b. The resultant moment can be replaced by moving the resultant force \mathbf{F}_R a perpendicular or moment arm distance d away from point O such that \mathbf{F}_R produces the *same moment* $(\mathbf{M}_R)_O$ about point O , Fig. 4-41c. This distance d can be determined from the scalar equation $(M_R)_O = F_R d = \Sigma M_O$ or $d = (M_R)_O / F_R$.

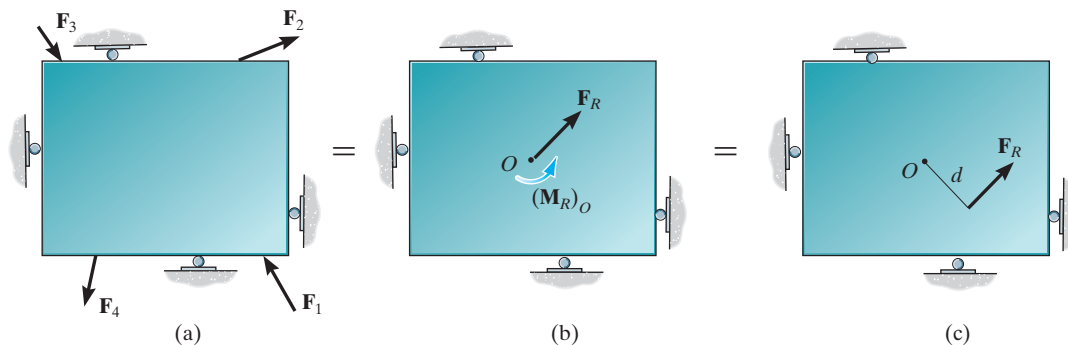


Fig. 4-41

Parallel Force System. The *parallel force system* shown in Fig. 4-42a consists of forces that are all parallel to the z axis. Thus, the resultant force $\mathbf{F}_R = \Sigma \mathbf{F}$ at point O must also be parallel to this axis, Fig. 4-42b. The moment produced by each force lies in the plane of the plate, and so the resultant couple moment, $(\mathbf{M}_R)_O$, will also lie in this plane, along the moment axis a since \mathbf{F}_R and $(\mathbf{M}_R)_O$ are mutually perpendicular. As a result, the force system can be further reduced to an equivalent single resultant force \mathbf{F}_R , acting through point P located on the perpendicular b axis, Fig. 4-42c. The distance d along this axis from point O requires $(M_R)_O = F_R d = \Sigma M_O$ or $d = \Sigma M_O / F_R$.

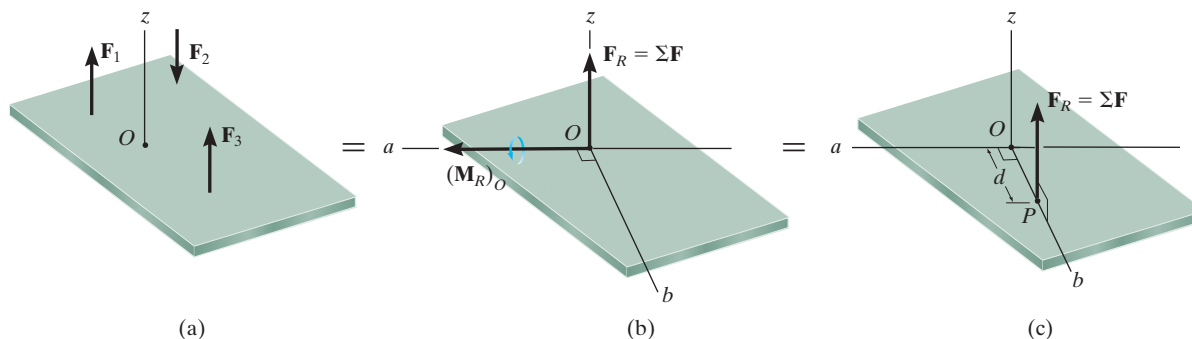


Fig. 4-42



The four cable forces are all concurrent at point O on this bridge tower. Consequently they produce no resultant moment there, only a resultant force \mathbf{F}_R . Note that the designers have positioned the cables so that \mathbf{F}_R is directed *along* the bridge tower directly to the support, so that it does not cause any bending of the tower.

Procedure for Analysis

The technique used to reduce a coplanar or parallel force system to a single resultant force follows a similar procedure outlined in the previous section.

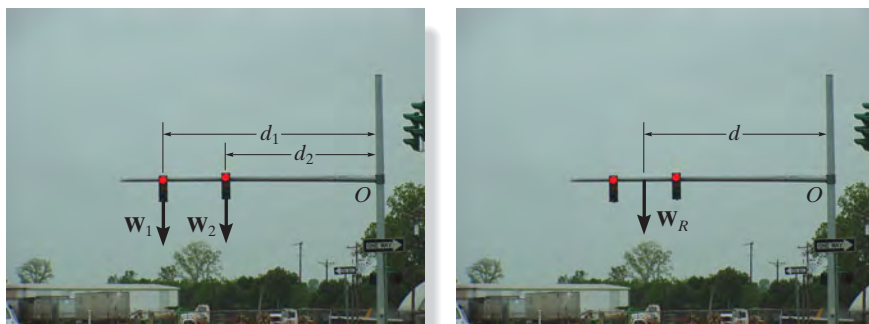
- Establish the x, y, z , axes and locate the resultant force \mathbf{F}_R an arbitrary distance away from the origin of the coordinates.

Force Summation.

- The resultant force is equal to the sum of all the forces in the system.
- For a coplanar force system, resolve each force into its x and y components. Positive components are directed along the positive x and y axes, and negative components are directed along the negative x and y axes.

Moment Summation.

- The moment of the resultant force about point O is equal to the sum of all the couple moments in the system plus the moments of all the forces in the system about O .
- This moment condition is used to find the location of the resultant force from point O .



Here the weights of the traffic lights are replaced by their resultant force $W_R = W_1 + W_2$ which acts at a distance $d = (W_1 d_1 + W_2 d_2) / W_R$ from O . Both systems are equivalent.

Reduction to a Wrench In general, a three-dimensional force and couple moment system will have an equivalent resultant force \mathbf{F}_R acting at point O and a resultant couple moment $(\mathbf{M}_R)_O$ that are *not perpendicular* to one another, as shown in Fig. 4-43a. Although a force system such as this cannot be further reduced to an equivalent single resultant force, the resultant couple moment $(\mathbf{M}_R)_O$ can be resolved into components parallel and perpendicular to the line of action of \mathbf{F}_R , Fig. 4-43a. The perpendicular component \mathbf{M}_\perp can be replaced if we move \mathbf{F}_R to point P , a distance d from point O along the b axis, Fig. 4-43b. As seen, this axis is perpendicular to both the a axis and the line of action of \mathbf{F}_R . The location of P can be determined from $d = M_\perp / F_R$. Finally, because \mathbf{M}_\parallel is a free vector, it can be moved to point P , Fig. 4-43c. This combination of a resultant force \mathbf{F}_R and collinear couple moment \mathbf{M}_\parallel will tend to translate and rotate the body about its axis and is referred to as a *wrench* or *screw*. A wrench is the simplest system that can represent any general force and couple moment system acting on a body.

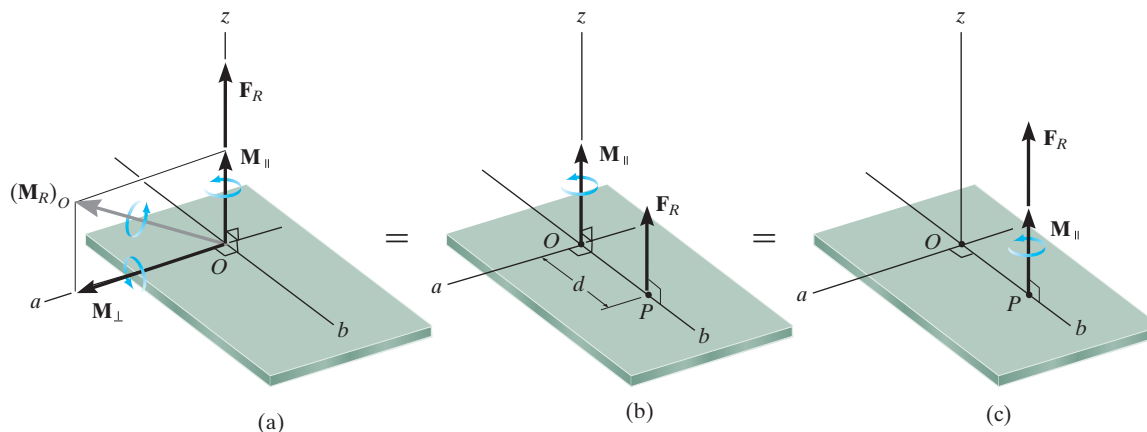


Fig. 4-43

EXAMPLE 4.17

Replace the force and couple moment system acting on the beam in Fig. 4-44a by an equivalent resultant force, and find where its line of action intersects the beam, measured from point O .

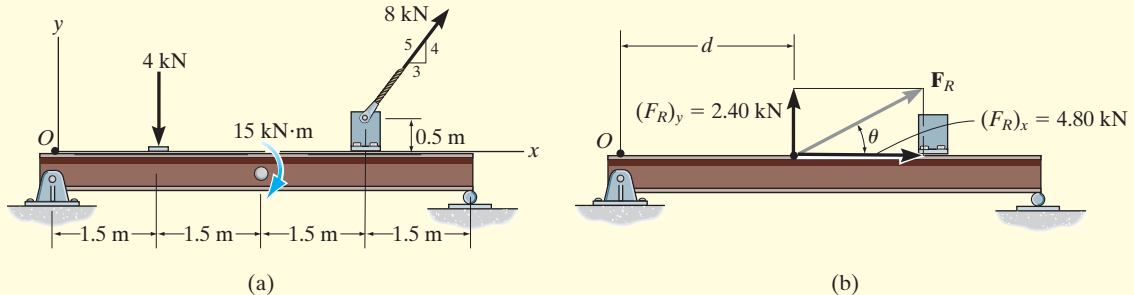


Fig. 4-44

SOLUTION

Force Summation. Summing the force components,

$$\begin{aligned} \rightarrow (F_R)_x &= \Sigma F_x; & (F_R)_x &= 8 \text{ kN} \left(\frac{3}{5}\right) = 4.80 \text{ kN} \rightarrow \\ + \uparrow (F_R)_y &= \Sigma F_y; & (F_R)_y &= -4 \text{ kN} + 8 \text{ kN} \left(\frac{4}{5}\right) = 2.40 \text{ kN} \uparrow \end{aligned}$$

From Fig. 4-44b, the magnitude of \mathbf{F}_R is

$$F_R = \sqrt{(4.80 \text{ kN})^2 + (2.40 \text{ kN})^2} = 5.37 \text{ kN} \quad \text{Ans.}$$

The angle θ is

$$\theta = \tan^{-1} \left(\frac{2.40 \text{ kN}}{4.80 \text{ kN}} \right) = 26.6^\circ \quad \text{Ans.}$$

Moment Summation. We must equate the moment of \mathbf{F}_R about point O in Fig. 4-44b to the sum of the moments of the force and couple moment system about point O in Fig. 4-44a. Since the line of action of $(F_R)_x$ acts through point O , only $(F_R)_y$ produces a moment about this point. Thus,

$$\begin{aligned} \zeta + (M_R)_O &= \Sigma M_O; & 2.40 \text{ kN}(d) &= -(4 \text{ kN})(1.5 \text{ m}) - 15 \text{ kN}\cdot\text{m} \\ & & & - [8 \text{ kN} \left(\frac{3}{5}\right)] (0.5 \text{ m}) + [8 \text{ kN} \left(\frac{4}{5}\right)] (4.5 \text{ m}) \\ & & & d = 2.25 \text{ m} \end{aligned} \quad \text{Ans.}$$

EXAMPLE 4.18

The jib crane shown in Fig. 4-45a is subjected to three coplanar forces. Replace this loading by an equivalent resultant force and specify where the resultant's line of action intersects the column AB and boom BC .

SOLUTION

Force Summation. Resolving the 250-lb force into x and y components and summing the force components yields

$$\pm \rightarrow F_{R_x} = \Sigma F_x; \quad F_{R_x} = -250 \text{ lb} \left(\frac{3}{5}\right) - 175 \text{ lb} = -325 \text{ lb} = 325 \text{ lb} \leftarrow$$

$$+\uparrow F_{R_y} = \Sigma F_y; \quad F_{R_y} = -250 \text{ lb} \left(\frac{4}{5}\right) - 60 \text{ lb} = -260 \text{ lb} = 260 \text{ lb} \downarrow$$

As shown by the vector addition in Fig. 4-45b,

$$F_R = \sqrt{(325 \text{ lb})^2 + (260 \text{ lb})^2} = 416 \text{ lb} \quad \text{Ans.}$$

$$\theta = \tan^{-1} \left(\frac{260 \text{ lb}}{325 \text{ lb}} \right) = 38.7^\circ \theta \swarrow \quad \text{Ans.}$$

Moment Summation. Moments will be summed about point A . Assuming the line of action of \mathbf{F}_R intersects AB at a distance y from A , Fig. 4-45b, we have

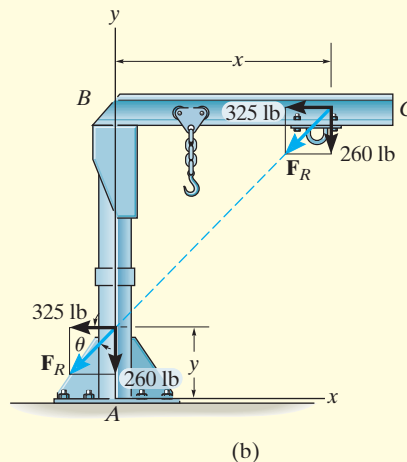
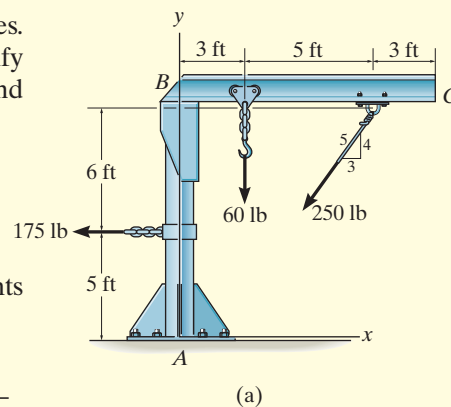
$$\begin{aligned} \zeta + M_{R_A} &= \Sigma M_A; & 325 \text{ lb} (y) + 260 \text{ lb} (0) \\ &= 175 \text{ lb} (5 \text{ ft}) - 60 \text{ lb} (3 \text{ ft}) + 250 \text{ lb} \left(\frac{3}{5}\right)(11 \text{ ft}) - 250 \text{ lb} \left(\frac{4}{5}\right)(8 \text{ ft}) \end{aligned}$$

$$y = 2.29 \text{ ft} \quad \text{Ans.}$$

By the principle of transmissibility, \mathbf{F}_R can be placed at a distance x where it intersects BC , Fig. 4-45b. In this case we have

$$\begin{aligned} \zeta + M_{R_A} &= \Sigma M_A; & 325 \text{ lb} (11 \text{ ft}) - 260 \text{ lb} (x) \\ &= 175 \text{ lb} (5 \text{ ft}) - 60 \text{ lb} (3 \text{ ft}) + 250 \text{ lb} \left(\frac{3}{5}\right)(11 \text{ ft}) - 250 \text{ lb} \left(\frac{4}{5}\right)(8 \text{ ft}) \end{aligned}$$

$$x = 10.9 \text{ ft} \quad \text{Ans.}$$

**Fig. 4-45**

EXAMPLE 4.19

The slab in Fig. 4-46a is subjected to four parallel forces. Determine the magnitude and direction of a resultant force equivalent to the given force system and locate its point of application on the slab.

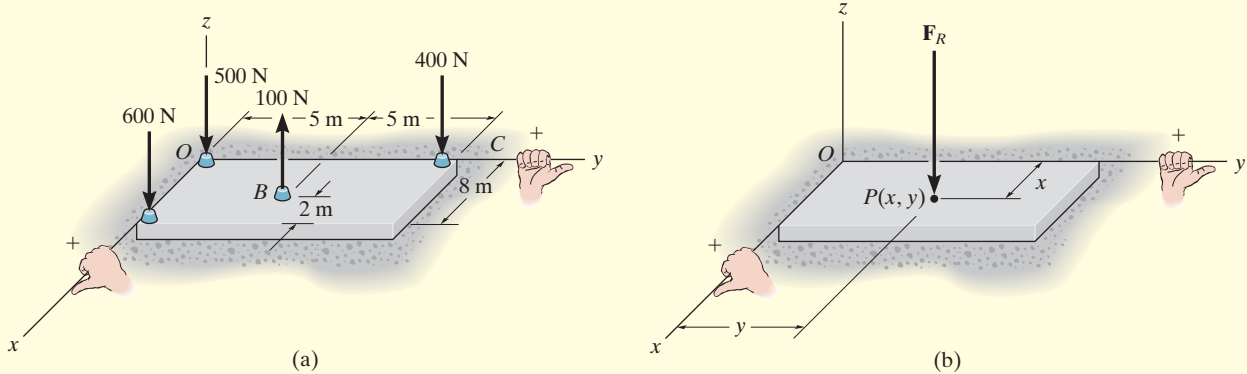


Fig. 4-46

SOLUTION (SCALAR ANALYSIS)

Force Summation. From Fig. 4-46a, the resultant force is

$$+\uparrow F_R = \Sigma F; \quad -F_R = -600 \text{ N} + 100 \text{ N} - 400 \text{ N} - 500 \text{ N}$$

$$= -1400 \text{ N} = 1400 \text{ N} \downarrow \quad \text{Ans.}$$

Moment Summation. We require the moment about the x axis of the resultant force, Fig. 4-46b, to be equal to the sum of the moments about the x axis of all the forces in the system, Fig. 4-46a. The moment arms are determined from the y coordinates since these coordinates represent the *perpendicular distances* from the x axis to the lines of action of the forces. Using the right-hand rule, we have

$$(M_R)_x = \Sigma M_x;$$

$$-(1400 \text{ N})y = 600 \text{ N}(0) + 100 \text{ N}(5 \text{ m}) - 400 \text{ N}(10 \text{ m}) + 500 \text{ N}(0)$$

$$-1400y = -3500 \quad y = 2.50 \text{ m} \quad \text{Ans.}$$

In a similar manner, a moment equation can be written about the y axis using moment arms defined by the x coordinates of each force.

$$(M_R)_y = \Sigma M_y;$$

$$(1400 \text{ N})x = 600 \text{ N}(8 \text{ m}) - 100 \text{ N}(6 \text{ m}) + 400 \text{ N}(0) + 500 \text{ N}(0)$$

$$1400x = 4200$$

$$x = 3 \text{ m} \quad \text{Ans.}$$

NOTE: A force of $F_R = 1400 \text{ N}$ placed at point $P(3.00 \text{ m}, 2.50 \text{ m})$ on the slab, Fig. 4-46b, is therefore equivalent to the parallel force system acting on the slab in Fig. 4-46a.

EXAMPLE 4.20

Replace the force system in Fig. 4-47a by an equivalent resultant force and specify its point of application on the pedestal.

SOLUTION

Force Summation. Here we will demonstrate a vector analysis. Summing forces,

$$\begin{aligned}\mathbf{F}_R &= \Sigma \mathbf{F}; & \mathbf{F}_R &= \mathbf{F}_A + \mathbf{F}_B + \mathbf{F}_C \\ & & &= \{-300\mathbf{k}\} \text{ lb} + \{-500\mathbf{k}\} \text{ lb} + \{100\mathbf{k}\} \text{ lb} \\ & & &= \{-700\mathbf{k}\} \text{ lb}\end{aligned}$$

Ans.

Location. Moments will be summed about point O . The resultant force \mathbf{F}_R is assumed to act through point $P(x, y, 0)$, Fig. 4-47b. Thus

$$(\mathbf{M}_R)_O = \Sigma \mathbf{M}_O;$$

$$\begin{aligned}\mathbf{r}_P \times \mathbf{F}_R &= (\mathbf{r}_A \times \mathbf{F}_A) + (\mathbf{r}_B \times \mathbf{F}_B) + (\mathbf{r}_C \times \mathbf{F}_C) \\ (x\mathbf{i} + y\mathbf{j}) \times (-700\mathbf{k}) &= [(4\mathbf{i}) \times (-300\mathbf{k})] \\ &+ [(-4\mathbf{i} + 2\mathbf{j}) \times (-500\mathbf{k})] + [(-4\mathbf{j}) \times (100\mathbf{k})] \\ -700x(\mathbf{i} \times \mathbf{k}) - 700y(\mathbf{j} \times \mathbf{k}) &= -1200(\mathbf{i} \times \mathbf{k}) + 2000(\mathbf{i} \times \mathbf{k}) \\ &- 1000(\mathbf{j} \times \mathbf{k}) - 400(\mathbf{j} \times \mathbf{k}) \\ 700x\mathbf{j} - 700y\mathbf{i} &= 1200\mathbf{j} - 2000\mathbf{j} - 1000\mathbf{i} - 400\mathbf{i}\end{aligned}$$

Equating the \mathbf{i} and \mathbf{j} components,

$$-700y = -1400 \quad (1)$$

$$y = 2 \text{ in.} \quad \textit{Ans.}$$

$$700x = -800 \quad (2)$$

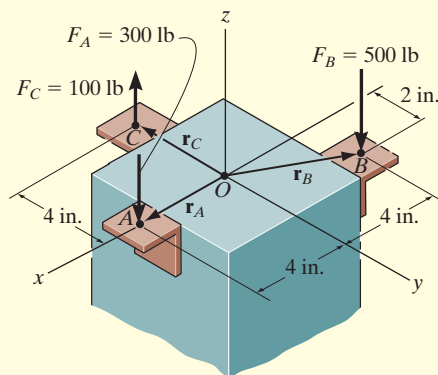
$$x = -1.14 \text{ in.} \quad \textit{Ans.}$$

The negative sign indicates that the x coordinate of point P is negative.

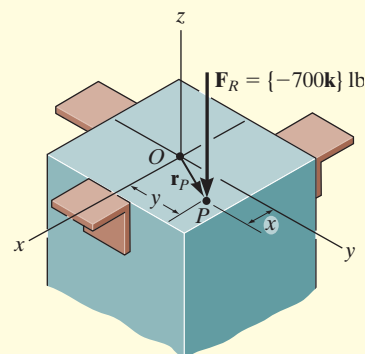
NOTE: It is also possible to establish Eq. 1 and 2 directly by summing moments about the x and y axes. Using the right-hand rule, we have

$$(M_R)_x = \Sigma M_x; \quad -700y = -100 \text{ lb}(4 \text{ in.}) - 500 \text{ lb}(2 \text{ in.})$$

$$(M_R)_y = \Sigma M_y; \quad 700x = 300 \text{ lb}(4 \text{ in.}) - 500 \text{ lb}(4 \text{ in.})$$



(a)

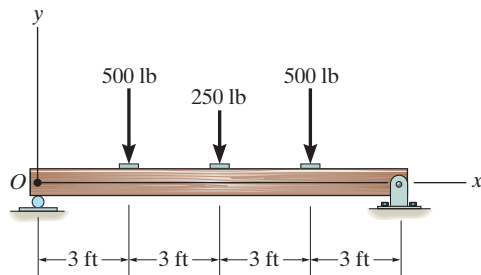


(b)

Fig. 4-47

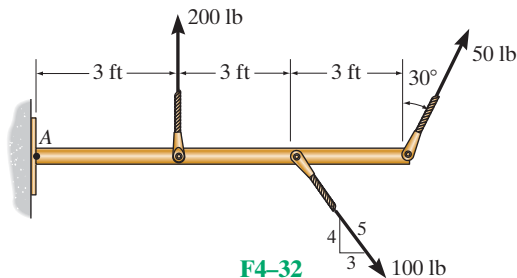
FUNDAMENTAL PROBLEMS

F4-31. Replace the loading system by an equivalent resultant force and specify where the resultant's line of action intersects the beam measured from O .



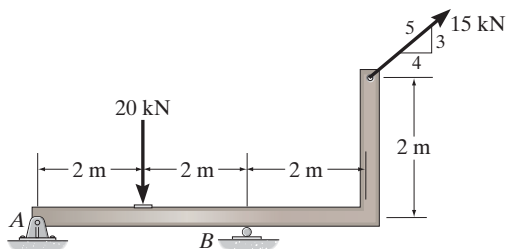
F4-31

F4-32. Replace the loading system by an equivalent resultant force and specify where the resultant's line of action intersects the member measured from A .



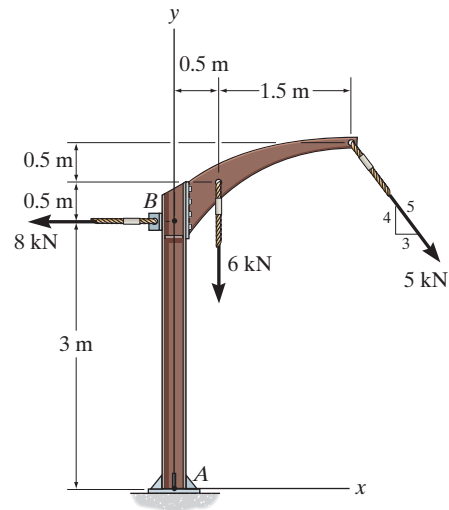
F4-32

F4-33. Replace the loading system by an equivalent resultant force and specify where the resultant's line of action intersects the member measured from A .



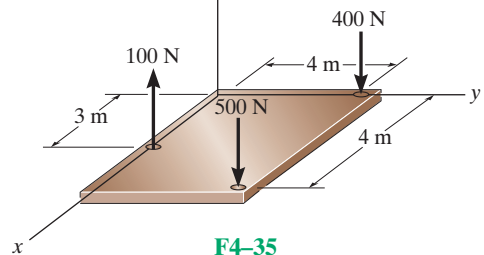
F4-33

F4-34. Replace the loading system by an equivalent resultant force and specify where the resultant's line of action intersects the member AB measured from A .



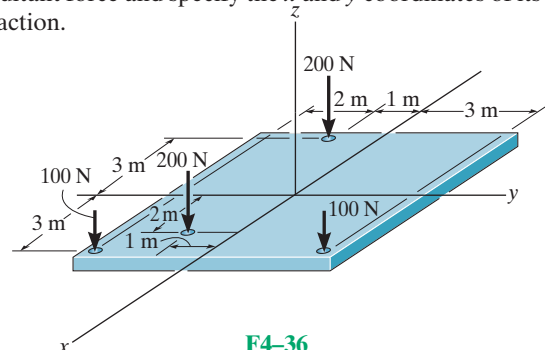
F4-34

F4-35. Replace the loading system shown by an equivalent single resultant force and specify the x and y coordinates of its line of action.



F4-35

F4-36. Replace the loading system shown by an equivalent single resultant force and specify the x and y coordinates of its line of action.

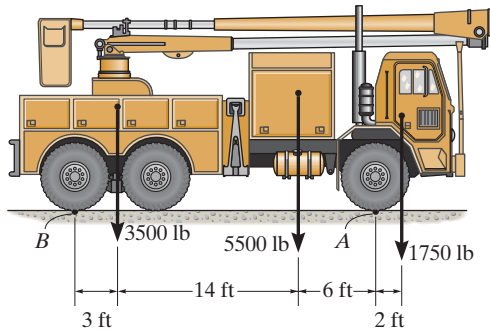


F4-36

PROBLEMS

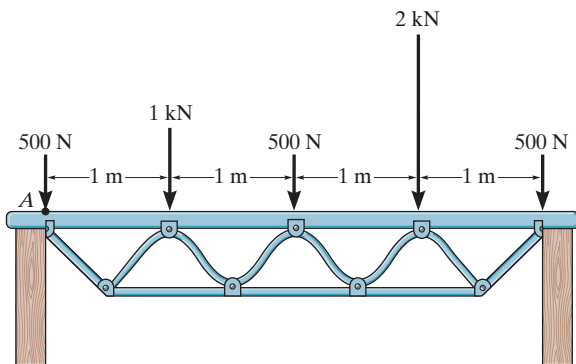
4-118. The weights of the various components of the truck are shown. Replace this system of forces by an equivalent resultant force and specify its location measured from B .

4-119. The weights of the various components of the truck are shown. Replace this system of forces by an equivalent resultant force and specify its location measured from point A .



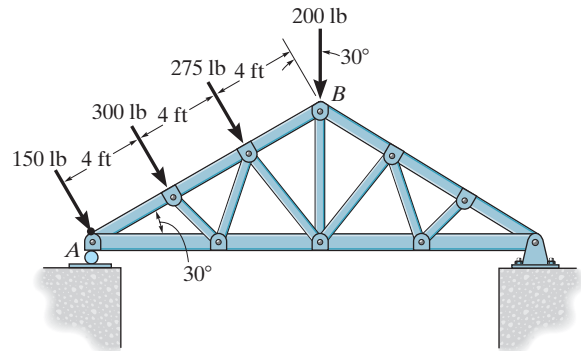
Probs. 4-118/119

***4-120.** The system of parallel forces acts on the top of the *Warren truss*. Determine the equivalent resultant force of the system and specify its location measured from point A .



Prob. 4-120

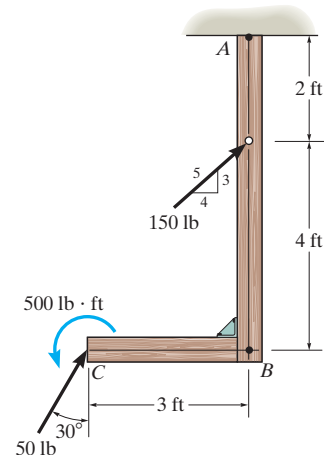
•4-121. The system of four forces acts on the roof truss. Determine the equivalent resultant force and specify its location along AB , measured from point A .



Prob. 4-121

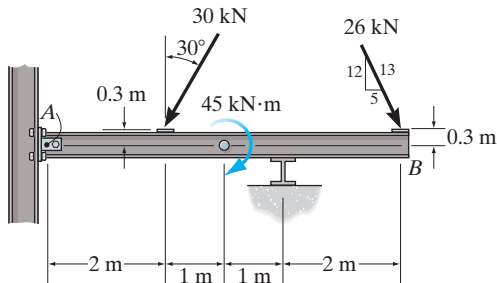
4-122. Replace the force and couple system acting on the frame by an equivalent resultant force and specify where the resultant's line of action intersects member AB , measured from A .

4-123. Replace the force and couple system acting on the frame by an equivalent resultant force and specify where the resultant's line of action intersects member BC , measured from B .



Probs. 4-122/123

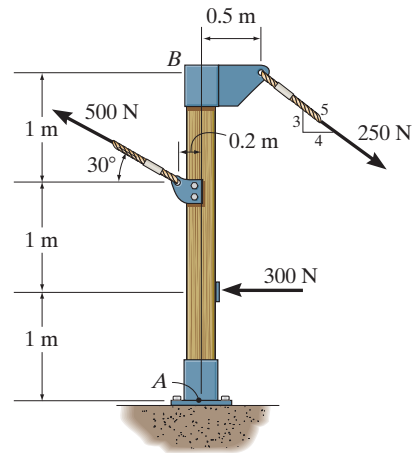
***4-124.** Replace the force and couple moment system acting on the overhang beam by a resultant force, and specify its location along AB measured from point A .



Prob. 4-124

4-127. Replace the force system acting on the post by a resultant force, and specify where its line of action intersects the post AB measured from point A .

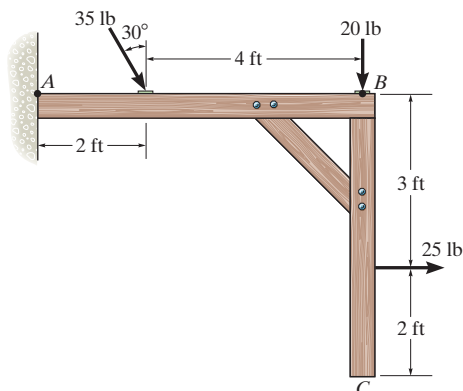
***4-128.** Replace the force system acting on the post by a resultant force, and specify where its line of action intersects the post AB measured from point B .



Probs. 4-127/128

•4-125. Replace the force system acting on the frame by an equivalent resultant force and specify where the resultant's line of action intersects member AB , measured from point A .

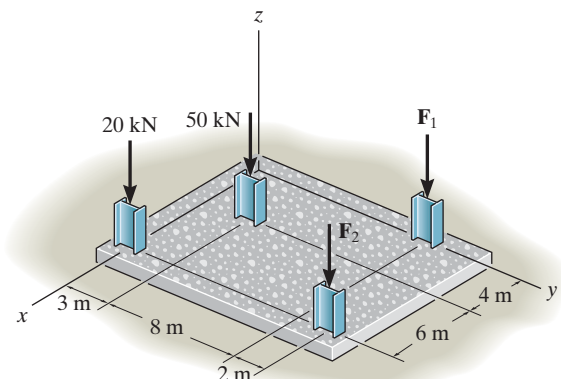
4-126. Replace the force system acting on the frame by an equivalent resultant force and specify where the resultant's line of action intersects member BC , measured from point B .



Probs. 4-125/126

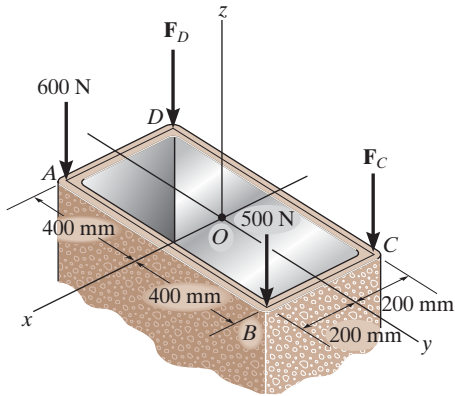
•4-129. The building slab is subjected to four parallel column loadings. Determine the equivalent resultant force and specify its location (x, y) on the slab. Take $F_1 = 30$ kN, $F_2 = 40$ kN.

4-130. The building slab is subjected to four parallel column loadings. Determine the equivalent resultant force and specify its location (x, y) on the slab. Take $F_1 = 20$ kN, $F_2 = 50$ kN.



Probs. 4-129/130

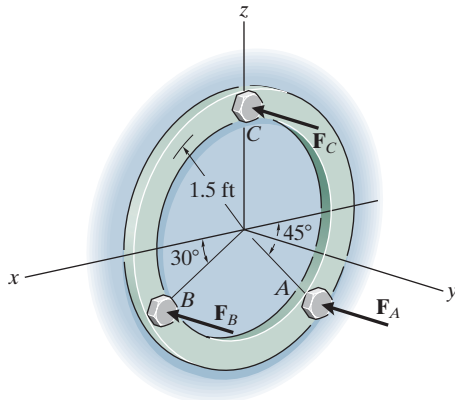
4-131. The tube supports the four parallel forces. Determine the magnitudes of forces \mathbf{F}_C and \mathbf{F}_D acting at C and D so that the equivalent resultant force of the force system acts through the midpoint O of the tube.



Prob. 4-131

***4-132.** Three parallel bolting forces act on the circular plate. Determine the resultant force, and specify its location (x, z) on the plate. $F_A = 200$ lb, $F_B = 100$ lb, and $F_C = 400$ lb.

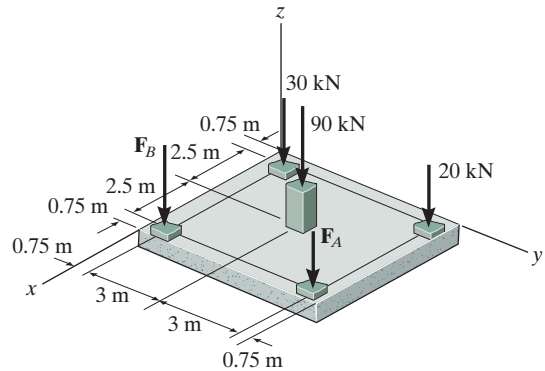
•4-133. The three parallel bolting forces act on the circular plate. If the force at A has a magnitude of $F_A = 200$ lb, determine the magnitudes of \mathbf{F}_B and \mathbf{F}_C so that the resultant force \mathbf{F}_R of the system has a line of action that coincides with the y axis. *Hint:* This requires $\Sigma M_x = 0$ and $\Sigma M_z = 0$.



Probs. 4-132/133

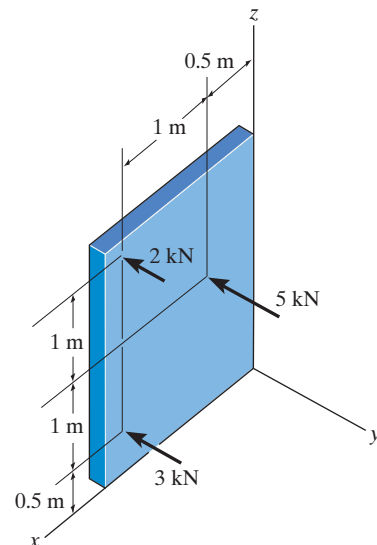
4-134. If $F_A = 40$ kN and $F_B = 35$ kN, determine the magnitude of the resultant force and specify the location of its point of application (x, y) on the slab.

4-135. If the resultant force is required to act at the center of the slab, determine the magnitude of the column loadings \mathbf{F}_A and \mathbf{F}_B and the magnitude of the resultant force.



Probs. 4-134/135

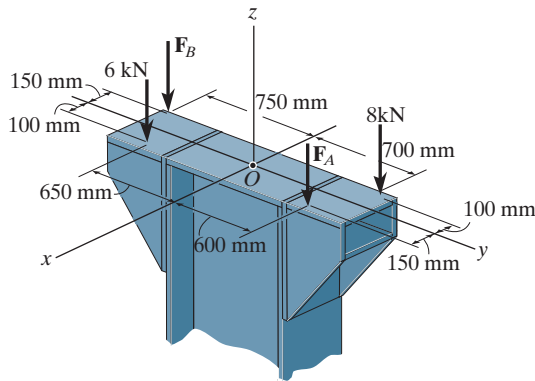
***4-136.** Replace the parallel force system acting on the plate by a resultant force and specify its location on the x - z plane.



Prob. 4-136

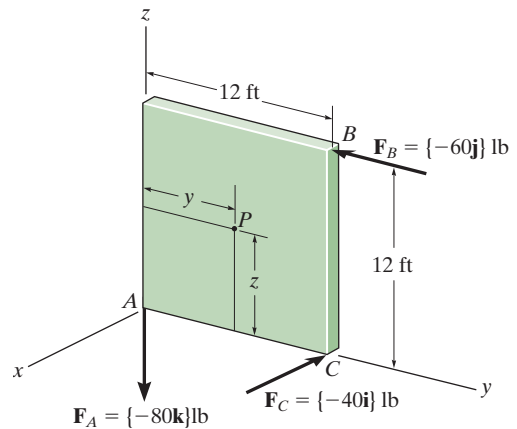
•4-137. If $F_A = 7 \text{ kN}$ and $F_B = 5 \text{ kN}$, represent the force system acting on the corbels by a resultant force, and specify its location on the x - y plane.

4-138. Determine the magnitudes of F_A and F_B so that the resultant force passes through point O of the column.



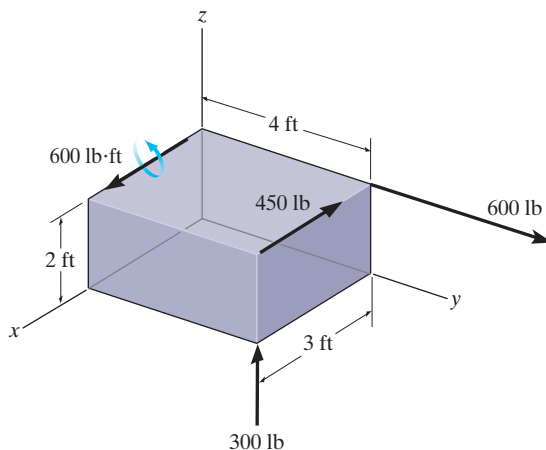
Probs. 4-137/138

*4-140. Replace the three forces acting on the plate by a wrench. Specify the magnitude of the force and couple moment for the wrench and the point $P(y, z)$ where its line of action intersects the plate.



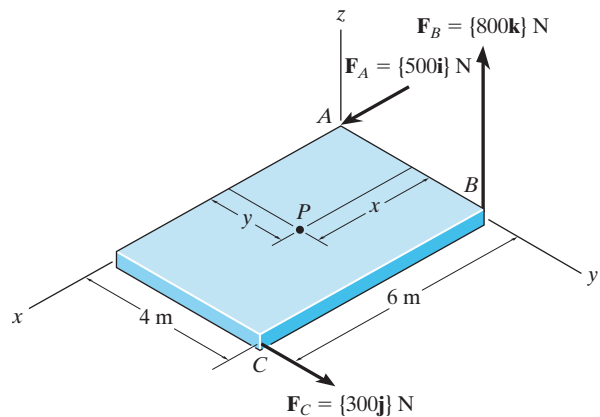
Prob. 4-140

4-139. Replace the force and couple moment system acting on the rectangular block by a wrench. Specify the magnitude of the force and couple moment of the wrench and where its line of action intersects the x - y plane.



Prob. 4-139

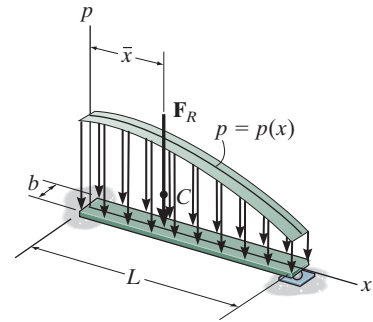
•4-141. Replace the three forces acting on the plate by a wrench. Specify the magnitude of the force and couple moment for the wrench and the point $P(x, y)$ where its line of action intersects the plate.



Prob. 4-141

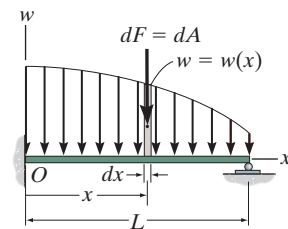
4.9 Reduction of a Simple Distributed Loading

Sometimes, a body may be subjected to a loading that is distributed over its surface. For example, the pressure of the wind on the face of a sign, the pressure of water within a tank, or the weight of sand on the floor of a storage container, are all *distributed loadings*. The pressure exerted at each point on the surface indicates the intensity of the loading. It is measured using pascals Pa (or N/m^2) in SI units or lb/ft^2 in the U.S. Customary system.



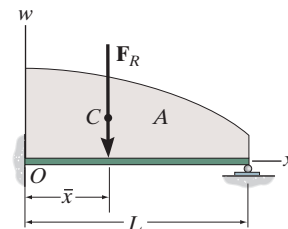
(a)

Uniform Loading Along a Single Axis. The most common type of distributed loading encountered in engineering practice is generally uniform along a single axis.* For example, consider the beam (or plate) in Fig. 4–48a that has a constant width and is subjected to a pressure loading that varies only along the x axis. This loading can be described by the function $p = p(x) \text{ N/m}^2$. It contains only one variable x , and for this reason, we can also represent it as a *coplanar distributed load*. To do so, we multiply the loading function by the width b m of the beam, so that $w(x) = p(x)b \text{ N/m}$, Fig. 4-48b. Using the methods of Sec. 4.8, we can replace this coplanar parallel force system with a single equivalent resultant force \mathbf{F}_R acting at a specific location on the beam, Fig. 4–48c.



(b)

Magnitude of Resultant Force. From Eq. 4–17 ($F_R = \Sigma F$), the magnitude of \mathbf{F}_R is equivalent to the sum of all the forces in the system. In this case integration must be used since there is an infinite number of parallel forces $d\mathbf{F}$ acting on the beam, Fig. 4–48b. Since $d\mathbf{F}$ is acting on an element of length dx , and $w(x)$ is a force per unit length, then $dF = w(x) dx = dA$. In other words, the magnitude of $d\mathbf{F}$ is determined from the colored differential area dA under the loading curve. For the entire length L ,



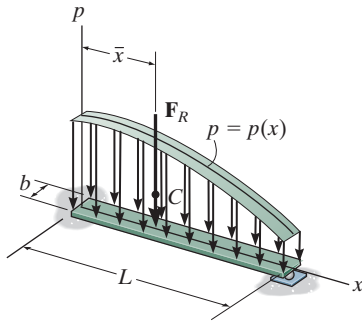
(c)

Fig. 4–48

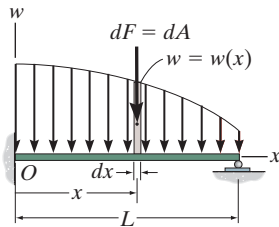
$$+\downarrow F_R = \Sigma F; \quad F_R = \int_L w(x) dx = \int_A dA = A \quad (4-19)$$

Therefore, the magnitude of the resultant force is equal to the total area A under the loading diagram, Fig. 4–48c.

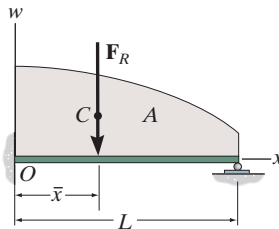
*The more general case of a nonuniform surface loading acting on a body is considered in Sec. 9.5.



(a)



(b)



(c)

Location of Resultant Force. Applying Eq. 4-17 ($M_{R_O} = \Sigma M_O$), the location \bar{x} of the line of action of \mathbf{F}_R can be determined by equating the moments of the force resultant and the parallel force distribution about point O (the y axis). Since $d\mathbf{F}$ produces a moment of $x dF = xw(x) dx$ about O , Fig. 4-48b, then for the entire length, Fig. 4-48c,

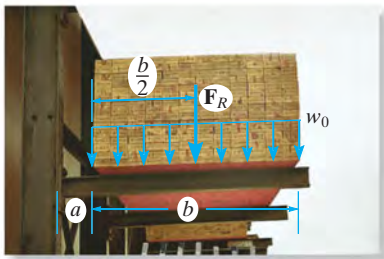
$$\zeta + (M_R)_O = \Sigma M_O; \quad -\bar{x}F_R = -\int_L xw(x) dx$$

Solving for \bar{x} , using Eq. 4-19, we have

$$\bar{x} = \frac{\int_L xw(x) dx}{\int_L w(x) dx} = \frac{\int_A x dA}{\int_A dA} \quad (4-20)$$

This coordinate \bar{x} , locates the geometric center or *centroid* of the area under the distributed loading. In other words, the resultant force has a line of action which passes through the centroid C (geometric center) of the area under the loading diagram, Fig. 4-48c. Detailed treatment of the integration techniques for finding the location of the centroid for areas is given in Chapter 9. In many cases, however, the distributed-loading diagram is in the shape of a rectangle, triangle, or some other simple geometric form. The centroid location for such common shapes does not have to be determined from the above equation but can be obtained directly from the tabulation given on the inside back cover.

Once \bar{x} is determined, \mathbf{F}_R by symmetry passes through point $(\bar{x}, 0)$ on the surface of the beam, Fig. 4-48a. Therefore, in this case the resultant force has a magnitude equal to the volume under the loading curve $p = p(x)$ and a line of action which passes through the centroid (geometric center) of this volume.



The beam supporting this stack of lumber is subjected to a uniform loading of w_0 . The resultant force is therefore equal to the area under the loading diagram $F_R = w_0b$. It acts through the centroid or geometric center of this area, $b/2$ from the support.

Important Points

- Coplanar distributed loadings are defined by using a loading function $w = w(x)$ that indicates the intensity of the loading along the length of a member. This intensity is measured in N/m or lb/ft.
- The external effects caused by a coplanar distributed load acting on a body can be represented by a single resultant force.
- This resultant force is equivalent to the area under the loading diagram, and has a line of action that passes through the *centroid* or geometric center of this area.

EXAMPLE 4.21

Determine the magnitude and location of the equivalent resultant force acting on the shaft in Fig. 4-49a.

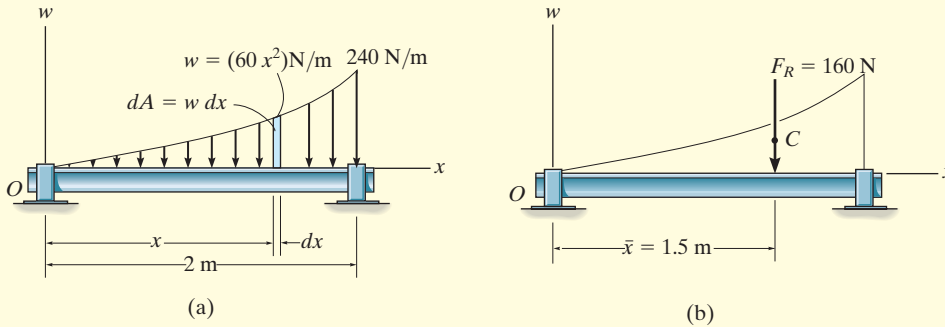


Fig. 4-49

SOLUTION

Since $w = w(x)$ is given, this problem will be solved by integration.

The differential element has an area $dA = w dx = 60x^2 dx$. Applying Eq. 4-19,

$$+\downarrow F_R = \Sigma F;$$

$$F_R = \int_A dA = \int_0^{2\text{ m}} 60x^2 dx = 60 \left(\frac{x^3}{3} \right) \Big|_0^{2\text{ m}} = 60 \left(\frac{2^3}{3} - \frac{0^3}{3} \right) \\ = 160 \text{ N} \quad \text{Ans.}$$

The location \bar{x} of \mathbf{F}_R measured from O , Fig. 4-49b, is determined from Eq. 4-20.

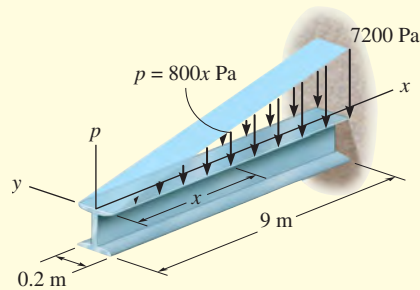
$$\bar{x} = \frac{\int_A x dA}{\int_A dA} = \frac{\int_0^{2\text{ m}} x(60x^2) dx}{160 \text{ N}} = \frac{60 \left(\frac{x^4}{4} \right) \Big|_0^{2\text{ m}}}{160 \text{ N}} = \frac{60 \left(\frac{2^4}{4} - \frac{0^4}{4} \right)}{160 \text{ N}} \\ = 1.5 \text{ m} \quad \text{Ans.}$$

NOTE: These results can be checked by using the table on the inside back cover, where it is shown that for an exparabolic area of length a , height b , and shape shown in Fig. 4-49a, we have

$$A = \frac{ab}{3} = \frac{2 \text{ m}(240 \text{ N/m})}{3} = 160 \text{ N} \text{ and } \bar{x} = \frac{3}{4}a = \frac{3}{4}(2 \text{ m}) = 1.5 \text{ m}$$

EXAMPLE 4.22

A distributed loading of $p = (800x)$ Pa acts over the top surface of the beam shown in Fig. 4-50a. Determine the magnitude and location of the equivalent resultant force.



(a)

SOLUTION

Since the loading intensity is uniform along the width of the beam (the y axis), the loading can be viewed in two dimensions as shown in Fig. 4-50b. Here

$$\begin{aligned} w &= (800x \text{ N/m}^2)(0.2 \text{ m}) \\ &= (160x) \text{ N/m} \end{aligned}$$

At $x = 9 \text{ m}$, note that $w = 1440 \text{ N/m}$. Although we may again apply Eqs. 4-19 and 4-20 as in the previous example, it is simpler to use the table on the inside back cover.

The magnitude of the resultant force is equivalent to the area of the triangle.

$$F_R = \frac{1}{2}(9 \text{ m})(1440 \text{ N/m}) = 6480 \text{ N} = 6.48 \text{ kN} \quad \text{Ans.}$$

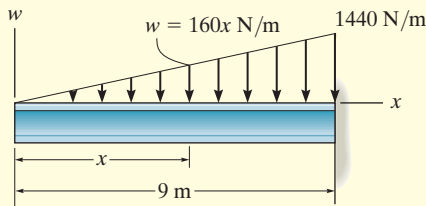
The line of action of \mathbf{F}_R passes through the *centroid* C of this triangle. Hence,

$$\bar{x} = 9 \text{ m} - \frac{1}{3}(9 \text{ m}) = 6 \text{ m} \quad \text{Ans.}$$

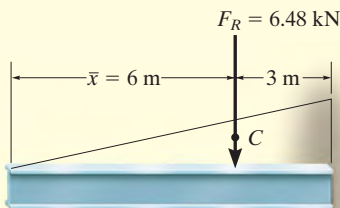
The results are shown in Fig. 4-50c.

NOTE: We may also view the resultant \mathbf{F}_R as *acting* through the *centroid* of the *volume* of the loading diagram $p = p(x)$ in Fig. 4-50a. Hence \mathbf{F}_R intersects the x - y plane at the point $(6 \text{ m}, 0)$. Furthermore, the magnitude of \mathbf{F}_R is equal to the volume under the loading diagram; i.e.,

$$F_R = V = \frac{1}{2}(7200 \text{ N/m}^2)(9 \text{ m})(0.2 \text{ m}) = 6.48 \text{ kN} \quad \text{Ans.}$$



(b)



(c)

Fig. 4-50

EXAMPLE 4.23

The granular material exerts the distributed loading on the beam as shown in Fig. 4–51*a*. Determine the magnitude and location of the equivalent resultant of this load.

SOLUTION

The area of the loading diagram is a *trapezoid*, and therefore the solution can be obtained directly from the area and centroid formulas for a trapezoid listed on the inside back cover. Since these formulas are not easily remembered, instead we will solve this problem by using “composite” areas. Here we will divide the trapezoidal loading into a rectangular and triangular loading as shown in Fig. 4–51*b*. The magnitude of the force represented by each of these loadings is equal to its associated *area*,

$$F_1 = \frac{1}{2}(9 \text{ ft})(50 \text{ lb/ft}) = 225 \text{ lb}$$

$$F_2 = (9 \text{ ft})(50 \text{ lb/ft}) = 450 \text{ lb}$$

The lines of action of these parallel forces act through the *centroid* of their associated areas and therefore intersect the beam at

$$\bar{x}_1 = \frac{1}{3}(9 \text{ ft}) = 3 \text{ ft}$$

$$\bar{x}_2 = \frac{1}{2}(9 \text{ ft}) = 4.5 \text{ ft}$$

The two parallel forces \mathbf{F}_1 and \mathbf{F}_2 can be reduced to a single resultant \mathbf{F}_R . The magnitude of \mathbf{F}_R is

$$+\downarrow F_R = \Sigma F; \quad F_R = 225 + 450 = 675 \text{ lb} \quad \text{Ans.}$$

We can find the location of \mathbf{F}_R with reference to point *A*, Fig. 4–51*b* and 4–51*c*. We require

$$\zeta + M_{R_A} = \Sigma M_A; \quad \bar{x}(675) = 3(225) + 4.5(450)$$

$$\bar{x} = 4 \text{ ft} \quad \text{Ans.}$$

NOTE: The trapezoidal area in Fig. 4–51*a* can also be divided into two triangular areas as shown in Fig. 4–51*d*. In this case

$$F_3 = \frac{1}{2}(9 \text{ ft})(100 \text{ lb/ft}) = 450 \text{ lb}$$

$$F_4 = \frac{1}{2}(9 \text{ ft})(50 \text{ lb/ft}) = 225 \text{ lb}$$

and

$$\bar{x}_3 = \frac{1}{3}(9 \text{ ft}) = 3 \text{ ft}$$

$$\bar{x}_4 = 9 \text{ ft} - \frac{1}{3}(9 \text{ ft}) = 6 \text{ ft}$$

NOTE: Using these results, show that again $F_R = 675 \text{ lb}$ and $\bar{x} = 4 \text{ ft}$.

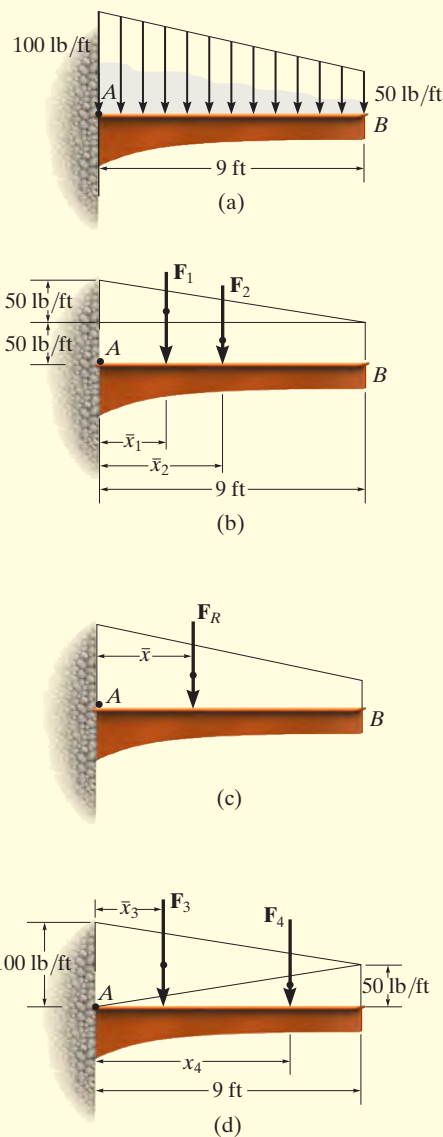
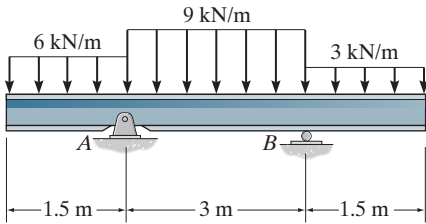


Fig. 4–51

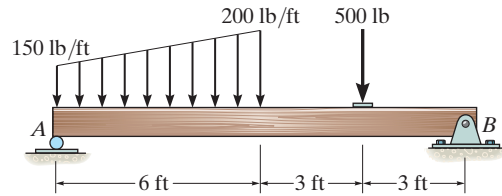
FUNDAMENTAL PROBLEMS

F4-37. Determine the resultant force and specify where it acts on the beam measured from A .



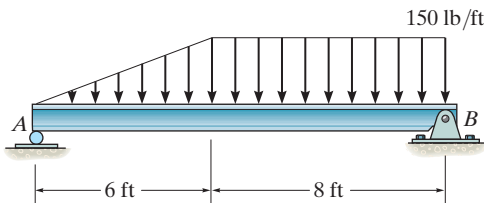
F4-37

F4-40. Determine the resultant force and specify where it acts on the beam measured from A .



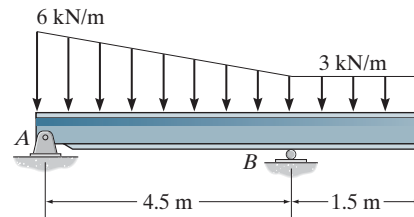
F4-40

F4-38. Determine the resultant force and specify where it acts on the beam measured from A .



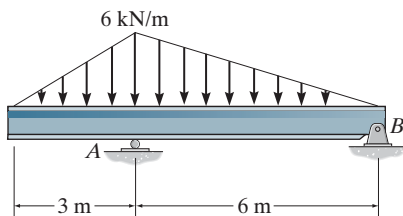
F4-38

F4-41. Determine the resultant force and specify where it acts on the beam measured from A .



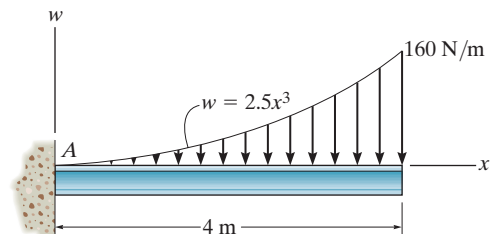
F4-41

F4-39. Determine the resultant force and specify where it acts on the beam measured from A .



F4-39

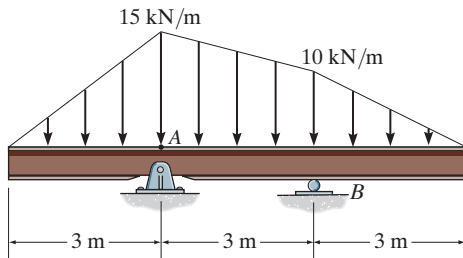
F4-42. Determine the resultant force and specify where it acts on the beam measured from A .



F4-42

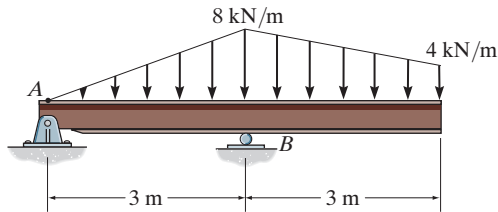
PROBLEMS

4-142. Replace the distributed loading with an equivalent resultant force, and specify its location on the beam measured from point A .



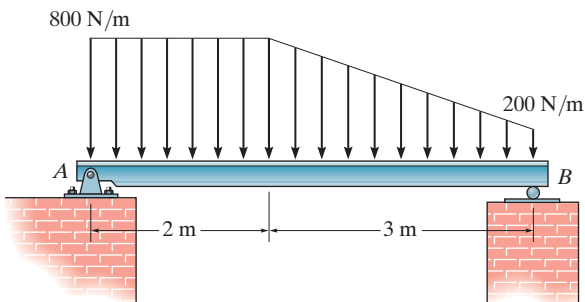
Prob. 4-142

4-143. Replace the distributed loading with an equivalent resultant force, and specify its location on the beam measured from point A .



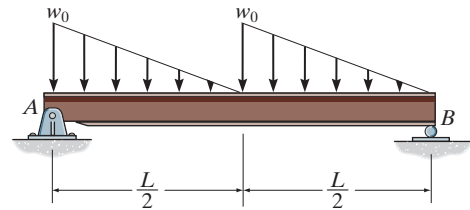
Prob. 4-143

***4-144.** Replace the distributed loading by an equivalent resultant force and specify its location, measured from point A .



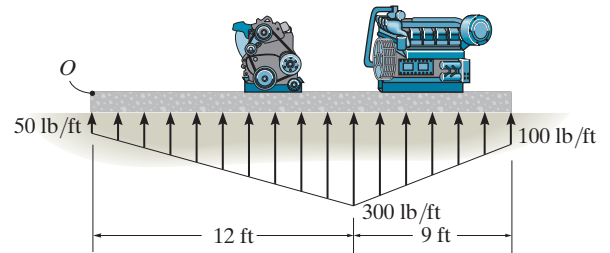
Prob. 4-144

4-145. Replace the distributed loading with an equivalent resultant force, and specify its location on the beam measured from point A .



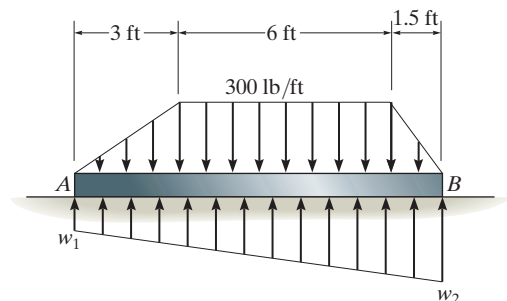
Prob. 4-145

4-146. The distribution of soil loading on the bottom of a building slab is shown. Replace this loading by an equivalent resultant force and specify its location, measured from point O .



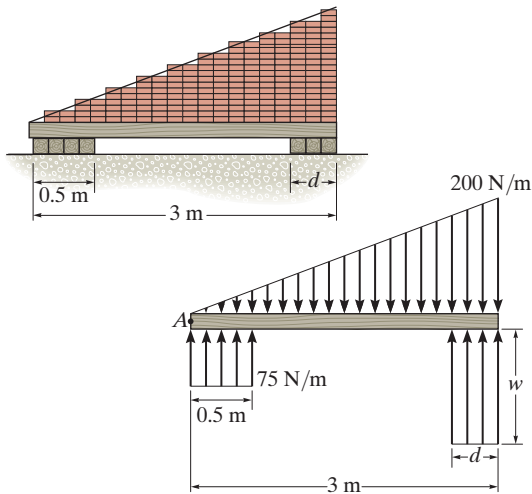
Prob. 4-146

4-147. Determine the intensities w_1 and w_2 of the distributed loading acting on the bottom of the slab so that this loading has an equivalent resultant force that is equal but opposite to the resultant of the distributed loading acting on the top of the plate.



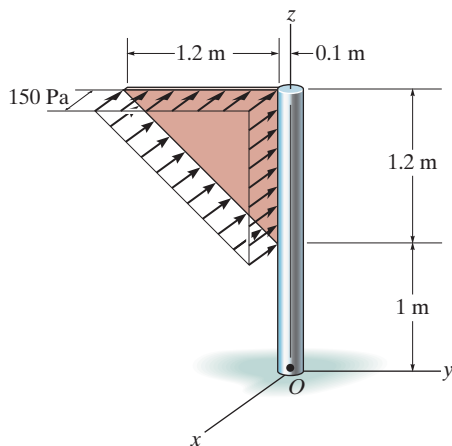
Prob. 4-147

***4-148.** The bricks on top of the beam and the supports at the bottom create the distributed loading shown in the second figure. Determine the required intensity w and dimension d of the right support so that the resultant force and couple moment about point A of the system are both zero.



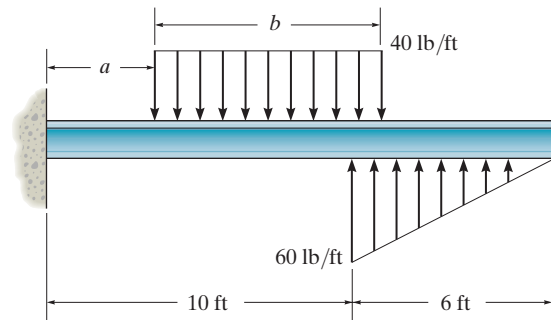
Prob. 4-148

•4-149. The wind pressure acting on a triangular sign is uniform. Replace this loading by an equivalent resultant force and couple moment at point O .



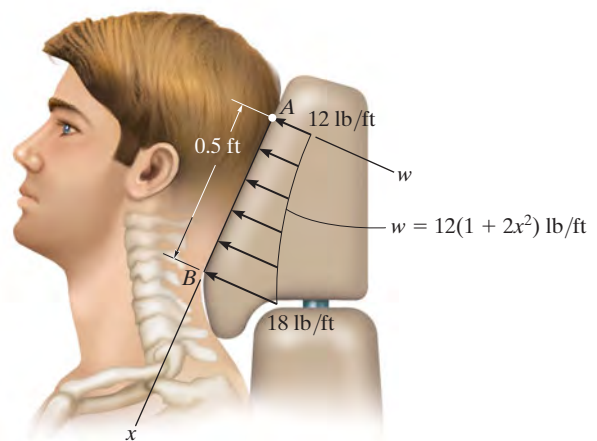
Prob. 4-149

4-150. The beam is subjected to the distributed loading. Determine the length b of the uniform load and its position a on the beam such that the resultant force and couple moment acting on the beam are zero.



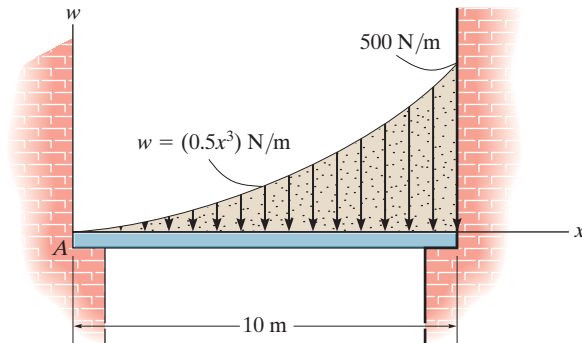
Prob. 4-150

4-151. Currently eighty-five percent of all neck injuries are caused by rear-end car collisions. To alleviate this problem, an automobile seat restraint has been developed that provides additional pressure contact with the cranium. During dynamic tests the distribution of load on the cranium has been plotted and shown to be parabolic. Determine the equivalent resultant force and its location, measured from point A .



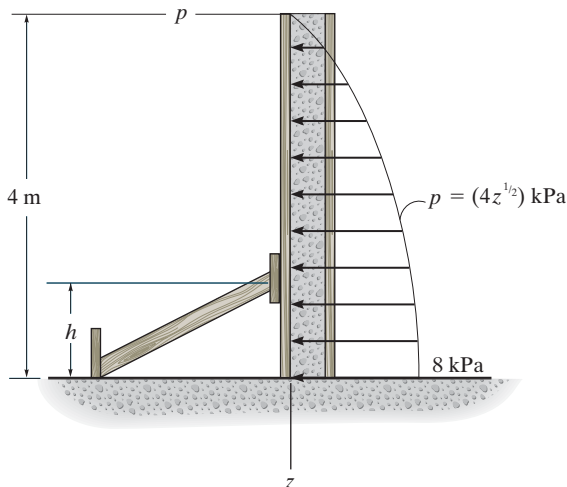
Prob. 4-151

*4-152. Wind has blown sand over a platform such that the intensity of the load can be approximated by the function $w = (0.5x^3)$ N/m. Simplify this distributed loading to an equivalent resultant force and specify its magnitude and location measured from A .



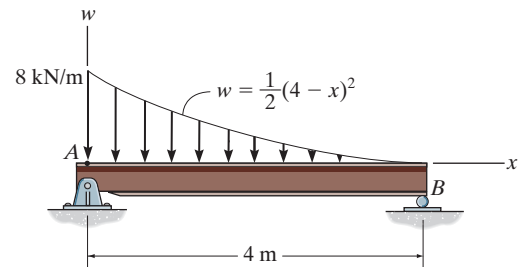
Prob. 4-152

•4-153. Wet concrete exerts a pressure distribution along the wall of the form. Determine the resultant force of this distribution and specify the height h where the bracing strut should be placed so that it lies through the line of action of the resultant force. The wall has a width of 5 m.



Prob. 4-153

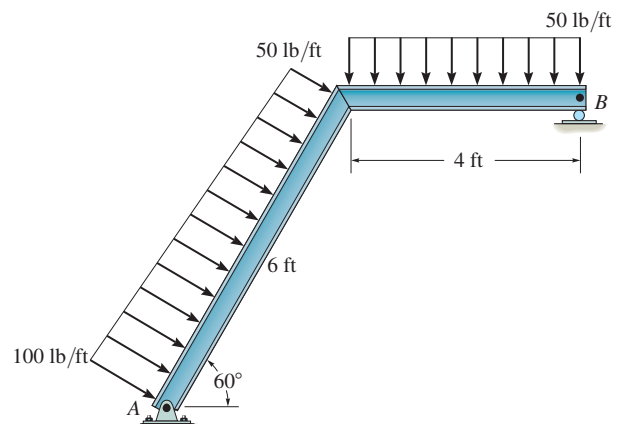
4-154. Replace the distributed loading with an equivalent resultant force, and specify its location on the beam measured from point A .



Prob. 4-154

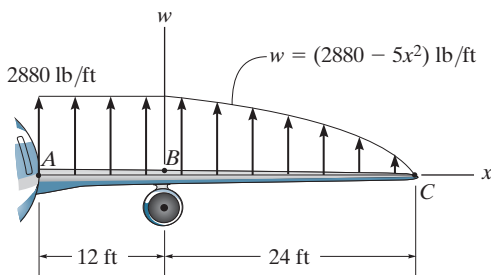
4-155. Replace the loading by an equivalent resultant force and couple moment at point A .

*4-156. Replace the loading by an equivalent resultant force and couple moment acting at point B .



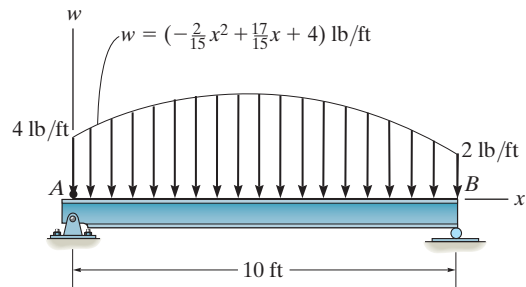
Probs. 4-155/156

•4-157. The lifting force along the wing of a jet aircraft consists of a uniform distribution along AB , and a semiparabolic distribution along BC with origin at B . Replace this loading by a single resultant force and specify its location measured from point A .



Prob. 4-157

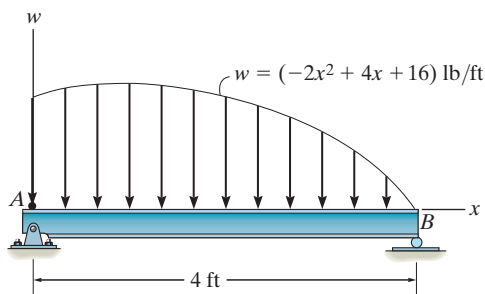
***4-160.** The distributed load acts on the beam as shown. Determine the magnitude of the equivalent resultant force and specify its location, measured from point A .



Prob. 4-160

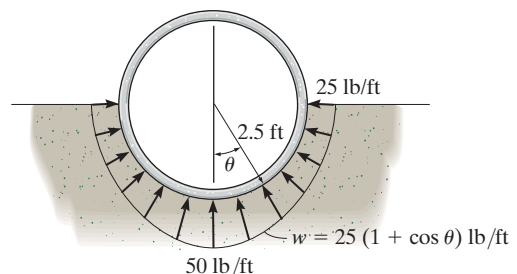
4-158. The distributed load acts on the beam as shown. Determine the magnitude of the equivalent resultant force and specify where it acts, measured from point A .

4-159. The distributed load acts on the beam as shown. Determine the maximum intensity w_{\max} . What is the magnitude of the equivalent resultant force? Specify where it acts, measured from point B .



Probs. 4-158/159

•4-161. If the distribution of the ground reaction on the pipe per foot of length can be approximated as shown, determine the magnitude of the resultant force due to this loading.



Prob. 4-161

CHAPTER REVIEW

Moment of Force—Scalar Definition

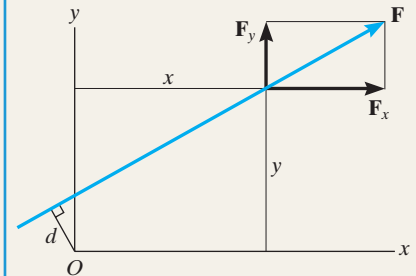
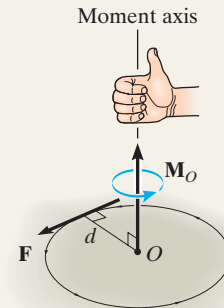
A force produces a turning effect or moment about a point O that does not lie on its line of action. In scalar form, the moment *magnitude* is the product of the force and the moment arm or perpendicular distance from point O to the line of action of the force.

The *direction* of the moment is defined using the right-hand rule. \mathbf{M}_O always acts along an axis perpendicular to the plane containing \mathbf{F} and d , and passes through the point O .

Rather than finding d , it is normally easier to resolve the force into its x and y components, determine the moment of each component about the point, and then sum the results. This is called the principle of moments.

$$M_O = Fd$$

$$M_O = Fd = F_x y - F_y x$$



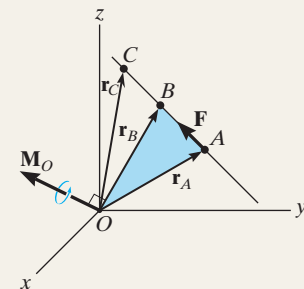
Moment of a Force—Vector Definition

Since three-dimensional geometry is generally more difficult to visualize, the vector cross product should be used to determine the moment. Here $\mathbf{M}_O = \mathbf{r} \times \mathbf{F}$, where \mathbf{r} is a position vector that extends from point O to any point A , B , or C on the line of action of \mathbf{F} .

If the position vector \mathbf{r} and force \mathbf{F} are expressed as Cartesian vectors, then the cross product results from the expansion of a determinant.

$$\mathbf{M}_O = \mathbf{r}_A \times \mathbf{F} = \mathbf{r}_B \times \mathbf{F} = \mathbf{r}_C \times \mathbf{F}$$

$$\mathbf{M}_O = \mathbf{r} \times \mathbf{F} = \begin{vmatrix} \mathbf{i} & \mathbf{j} & \mathbf{k} \\ r_x & r_y & r_z \\ F_x & F_y & F_z \end{vmatrix}$$



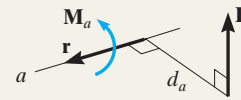
Moment about an Axis

If the moment of a force \mathbf{F} is to be determined about an arbitrary axis a , then the projection of the moment onto the axis must be obtained. Provided the distance d_a that is perpendicular to *both* the line of action of the force and the axis can be found, then the moment of the force about the axis can be determined from a scalar equation.

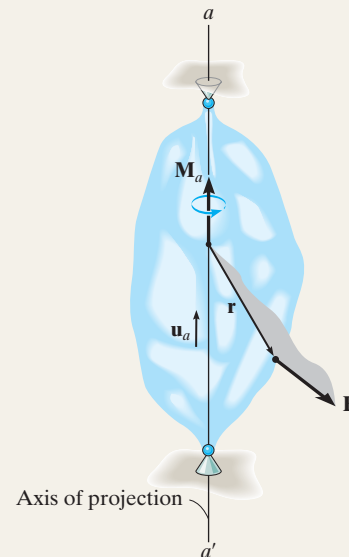
Note that when the line of action of \mathbf{F} intersects the axis then the moment of \mathbf{F} about the axis is zero. Also, when the line of action of \mathbf{F} is parallel to the axis, the moment of \mathbf{F} about the axis is zero.

In three dimensions, the scalar triple product should be used. Here \mathbf{u}_a is the unit vector that specifies the direction of the axis, and \mathbf{r} is a position vector that is directed from any point on the axis to any point on the line of action of the force. If M_a is calculated as a negative scalar, then the sense of direction of \mathbf{M}_a is opposite to \mathbf{u}_a .

$$M_a = Fd_a$$



$$M_a = \mathbf{u}_a \cdot (\mathbf{r} \times \mathbf{F}) = \begin{vmatrix} u_{a_x} & u_{a_y} & u_{a_z} \\ r_x & r_y & r_z \\ F_x & F_y & F_z \end{vmatrix}$$



Couple Moment

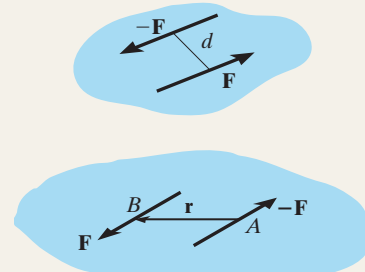
A couple consists of two equal but opposite forces that act a perpendicular distance d apart. Couples tend to produce a rotation without translation.

The magnitude of the couple moment is $M = Fd$, and its direction is established using the right-hand rule.

If the vector cross product is used to determine the moment of a couple, then \mathbf{r} extends from any point on the line of action of one of the forces to any point on the line of action of the other force \mathbf{F} that is used in the cross product.

$$M = Fd$$

$$\mathbf{M} = \mathbf{r} \times \mathbf{F}$$

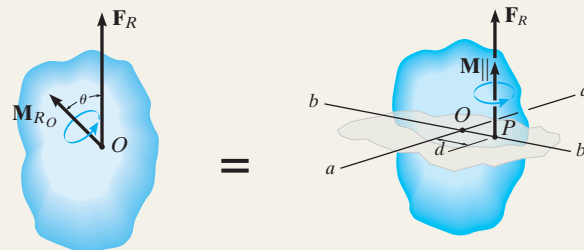
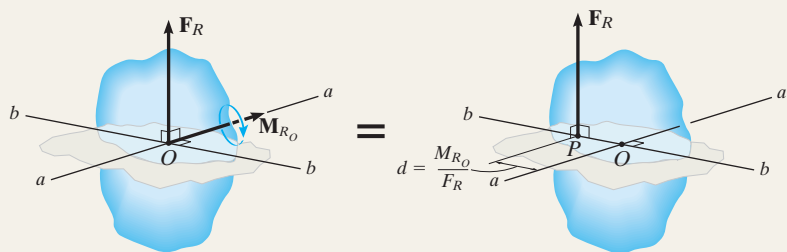
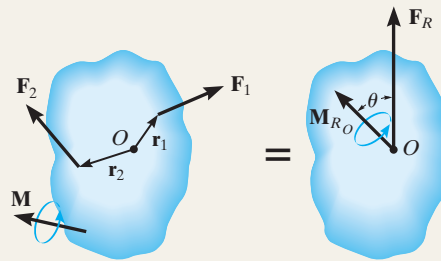


Simplification of a Force and Couple System

Any system of forces and couples can be reduced to a single resultant force and resultant couple moment acting at a point. The resultant force is the sum of all the forces in the system, $\mathbf{F}_R = \Sigma \mathbf{F}$, and the resultant couple moment is equal to the sum of all the moments of the forces about the point and couple moments. $\mathbf{M}_{R_O} = \Sigma \mathbf{M}_O + \Sigma \mathbf{M}$.

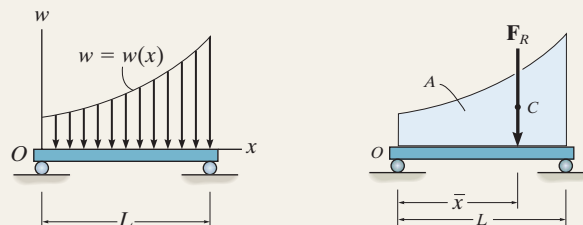
Further simplification to a single resultant force is possible provided the force system is concurrent, coplanar, or parallel. To find the location of the resultant force from a point, it is necessary to equate the moment of the resultant force about the point to the moment of the forces and couples in the system about the same point.

If the resultant force and couple moment at a point are not perpendicular to one another, then this system can be reduced to a wrench, which consists of the resultant force and collinear couple moment.



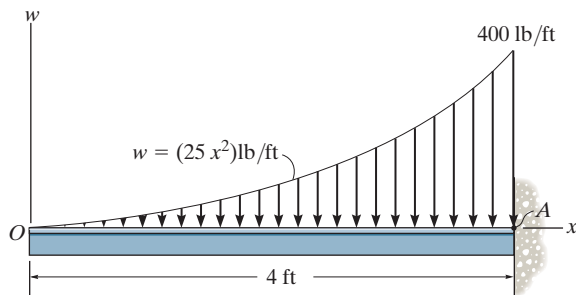
Coplanar Distributed Loading

A simple distributed loading can be represented by its resultant force, which is equivalent to the *area* under the loading curve. This resultant has a line of action that passes through the *centroid* or geometric center of the area or volume under the loading diagram.



REVIEW PROBLEMS

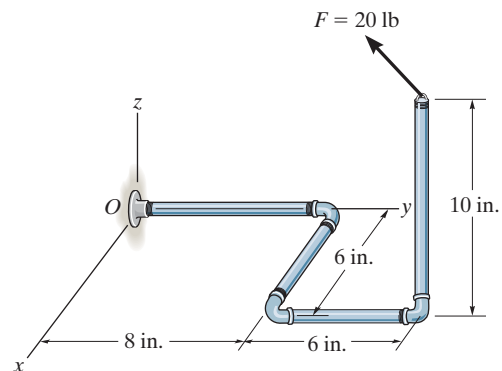
4-162. The beam is subjected to the parabolic loading. Determine an equivalent force and couple system at point A .



Prob. 4-162

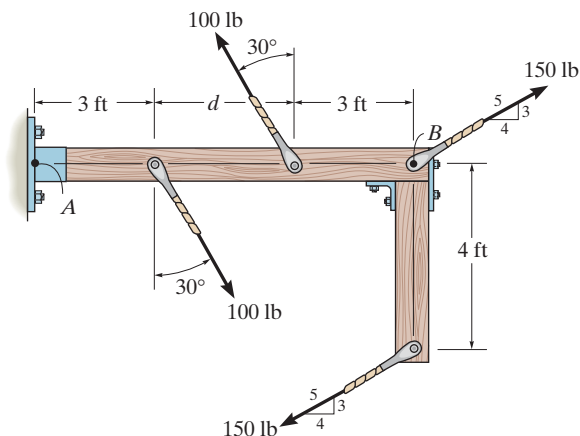
***4-164.** Determine the coordinate direction angles α , β , γ of \mathbf{F} , which is applied to the end of the pipe assembly, so that the moment of \mathbf{F} about O is zero.

***4-165.** Determine the moment of the force \mathbf{F} about point O . The force has coordinate direction angles of $\alpha = 60^\circ$, $\beta = 120^\circ$, $\gamma = 45^\circ$. Express the result as a Cartesian vector.



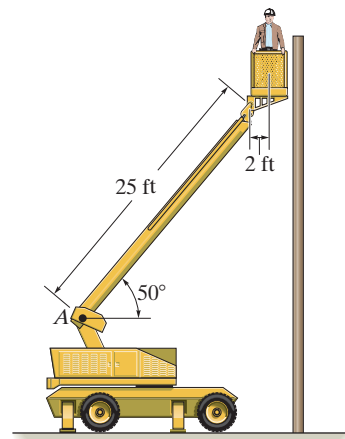
Probs. 4-164/165

4-163. Two couples act on the frame. If the resultant couple moment is to be zero, determine the distance d between the 100-lb couple forces.



Prob. 4-163

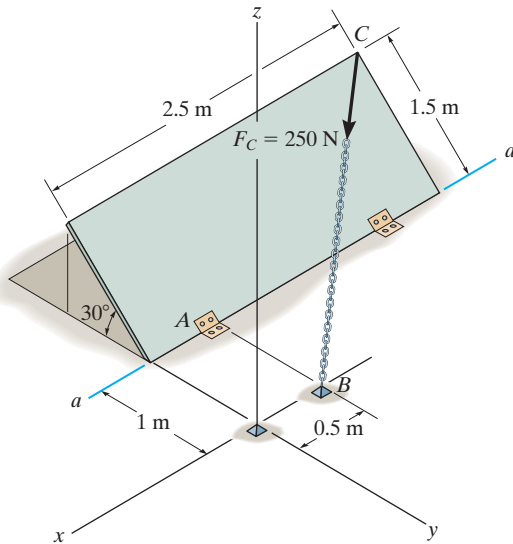
4-166. The snorkel boom lift is extended into the position shown. If the worker weighs 160 lb, determine the moment of this force about the connection at A .



Prob. 4-166

4-167. Determine the moment of the force \mathbf{F}_C about the door hinge at A . Express the result as a Cartesian vector.

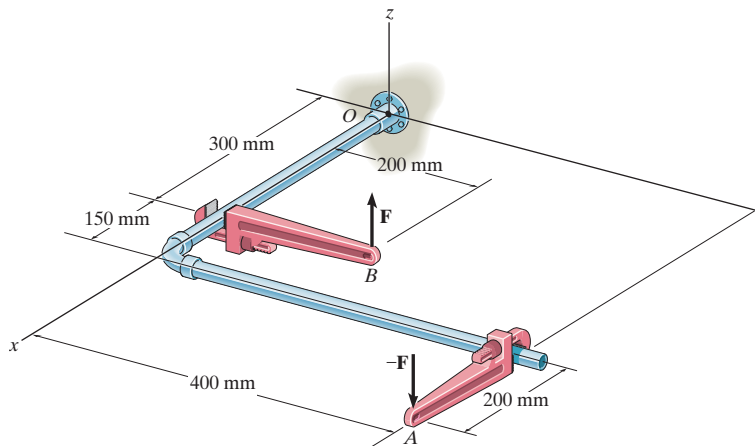
***4-168.** Determine the magnitude of the moment of the force \mathbf{F}_C about the hinged axis aa of the door.



Probs. 4-167/168

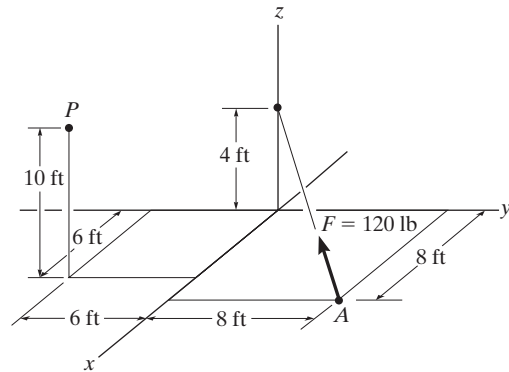
***4-169.** Express the moment of the couple acting on the pipe assembly in Cartesian vector form. Solve the problem (a) using Eq. 4-13 and (b) summing the moment of each force about point O . Take $\mathbf{F} = \{25\mathbf{k}\}$ N.

4-170. If the couple moment acting on the pipe has a magnitude of $400 \text{ N} \cdot \text{m}$, determine the magnitude F of the vertical force applied to each wrench.



Probs. 4-169/170

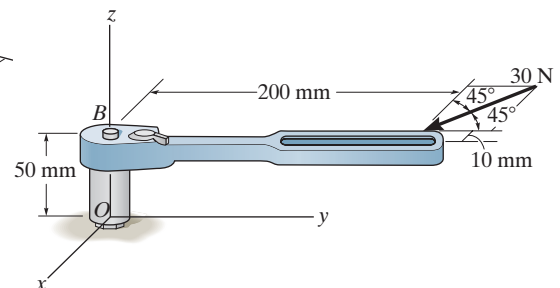
4-171. Replace the force at A by an equivalent resultant force and couple moment at point P . Express the results in Cartesian vector form.



Prob. 4-171

***4-172.** The horizontal 30-N force acts on the handle of the wrench. Determine the moment of this force about point O . Specify the coordinate direction angles α , β , γ of the moment axis.

***4-173.** The horizontal 30-N force acts on the handle of the wrench. What is the magnitude of the moment of this force about the z axis?



Probs. 4-172/173



The crane is subjected to its weight and the load it supports. In order to calculate the support reactions on the crane, it is necessary to apply the principles of equilibrium.

www.semeng.ir

Equilibrium of a Rigid Body

5

CHAPTER OBJECTIVES

- To develop the equations of equilibrium for a rigid body.
- To introduce the concept of the free-body diagram for a rigid body.
- To show how to solve rigid-body equilibrium problems using the equations of equilibrium.

5.1 Conditions for Rigid-Body Equilibrium

In this section, we will develop both the necessary and sufficient conditions for the equilibrium of the rigid body in Fig. 5–1*a*. As shown, this body is subjected to an external force and couple moment system that is the result of the effects of gravitational, electrical, magnetic, or contact forces caused by adjacent bodies. The internal forces caused by interactions between particles within the body are not shown in this figure because these forces occur in equal but opposite collinear pairs and hence will cancel out, a consequence of Newton's third law.

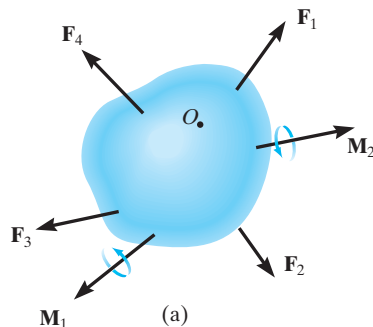
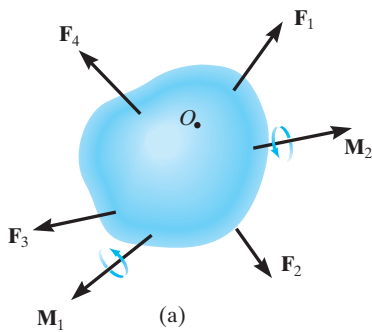
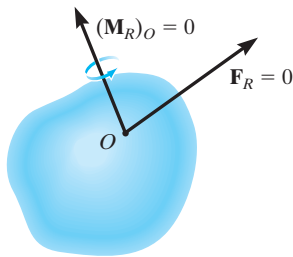


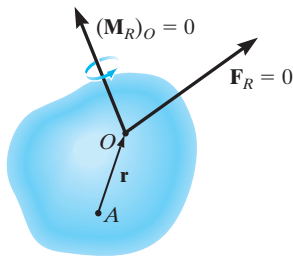
Fig. 5–1



(a)



(b)



(c)

Fig. 5-1

Using the methods of the previous chapter, the force and couple moment system acting on a body can be reduced to an equivalent resultant force and resultant couple moment at any arbitrary point O on or off the body, Fig. 5-1*b*. If this resultant force and couple moment are both equal to zero, then the body is said to be in *equilibrium*. Mathematically, the equilibrium of a body is expressed as

$$\mathbf{F}_R = \Sigma \mathbf{F} = \mathbf{0} \quad (5-1)$$

$$(\mathbf{M}_R)_O = \Sigma \mathbf{M}_O = \mathbf{0}$$

The first of these equations states that the sum of the forces acting on the body is equal to *zero*. The second equation states that the sum of the moments of all the forces in the system about point O , added to all the couple moments, is equal to *zero*. These two equations are not only necessary for equilibrium, they are also sufficient. To show this, consider summing moments about some other point, such as point A in Fig. 5-1*c*. We require

$$\Sigma \mathbf{M}_A = \mathbf{r} \times \mathbf{F}_R + (\mathbf{M}_R)_O = \mathbf{0}$$

Since $\mathbf{r} \neq \mathbf{0}$, this equation is satisfied only if Eqs. 5-1 are satisfied, namely $\mathbf{F}_R = \mathbf{0}$ and $(\mathbf{M}_R)_O = \mathbf{0}$.

When applying the equations of equilibrium, we will assume that the body remains rigid. In reality, however, all bodies deform when subjected to loads. Although this is the case, most engineering materials such as steel and concrete are very rigid and so their deformation is usually very small. Therefore, when applying the equations of equilibrium, we can generally assume that the body will remain *rigid* and *not deform* under the applied load without introducing any significant error. This way the direction of the applied forces and their moment arms with respect to a fixed reference remain unchanged before and after the body is loaded.

EQUILIBRIUM IN TWO DIMENSIONS

In the first part of the chapter, we will consider the case where the force system acting on a rigid body lies in or may be projected onto a *single* plane and, furthermore, any couple moments acting on the body are directed perpendicular to this plane. This type of force and couple system is often referred to as a two-dimensional or *coplanar* force system. For example, the airplane in Fig. 5-2 has a plane of symmetry through its center axis, and so the loads acting on the airplane are symmetrical with respect to this plane. Thus, each of the two wing tires will support the same load \mathbf{T} , which is represented on the side (two-dimensional) view of the plane as $2\mathbf{T}$.

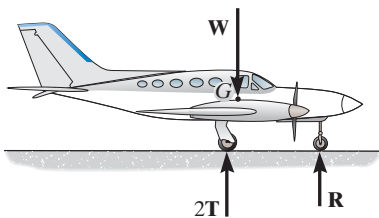


Fig. 5-2

5.2 Free-Body Diagrams

Successful application of the equations of equilibrium requires a complete specification of *all* the known and unknown external forces that act *on* the body. The best way to account for these forces is to draw a free-body diagram. This diagram is a sketch of the outlined shape of the body, which represents it as being *isolated* or “free” from its surroundings, i.e., a “free body.” On this sketch it is necessary to show *all* the forces and couple moments that the surroundings exert *on the body* so that these effects can be accounted for when the equations of equilibrium are applied. *A thorough understanding of how to draw a free-body diagram is of primary importance for solving problems in mechanics.*

Support Reactions. Before presenting a formal procedure as to how to draw a free-body diagram, we will first consider the various types of reactions that occur at supports and points of contact between bodies subjected to coplanar force systems. As a general rule,

- If a support prevents the translation of a body in a given direction, then a force is developed on the body in that direction.
- If rotation is prevented, a couple moment is exerted on the body.

For example, let us consider three ways in which a horizontal member, such as a beam, is supported at its end. One method consists of a *roller* or cylinder, Fig. 5–3a. Since this support only prevents the beam from *translating* in the vertical direction, the roller will only exert a *force* on the beam in this direction, Fig. 5–3b.

The beam can be supported in a more restrictive manner by using a *pin*, Fig. 5–3c. The pin passes through a hole in the beam and two leaves which are fixed to the ground. Here the pin can prevent *translation* of the beam in *any direction* ϕ , Fig. 5–3d, and so the pin must exert a *force* \mathbf{F} on the beam in this direction. For purposes of analysis, it is generally easier to represent this resultant force \mathbf{F} by its two rectangular components \mathbf{F}_x and \mathbf{F}_y , Fig. 5–3e. If F_x and F_y are known, then F and ϕ can be calculated.

The most restrictive way to support the beam would be to use a *fixed support* as shown in Fig. 5–3f. This support will prevent both *translation and rotation* of the beam. To do this a *force and couple moment* must be developed on the beam at its point of connection, Fig. 5–3g. As in the case of the pin, the force is usually represented by its rectangular components \mathbf{F}_x and \mathbf{F}_y .

Table 5–1 lists other common types of supports for bodies subjected to coplanar force systems. (In all cases the angle θ is assumed to be known.) Carefully study each of the symbols used to represent these supports and the types of reactions they exert on their contacting members.

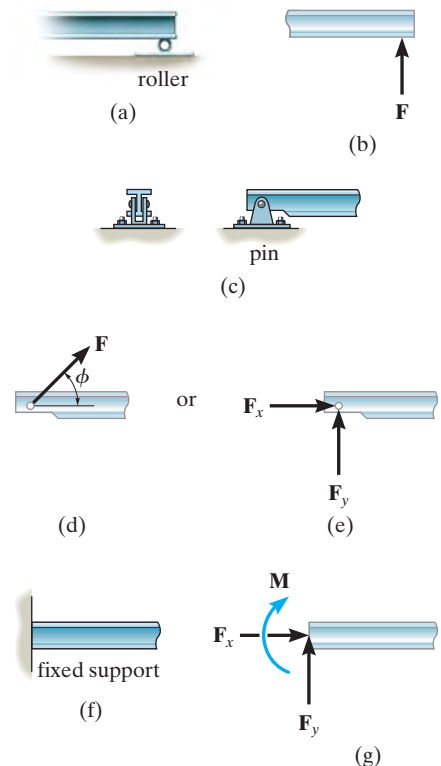
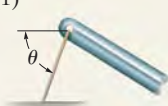
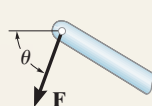
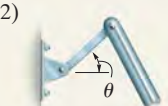
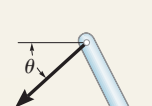
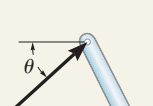





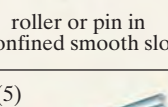

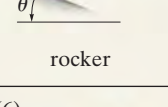
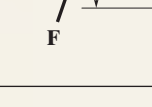
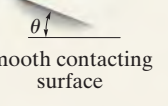
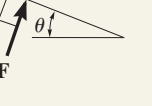



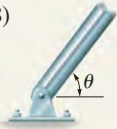
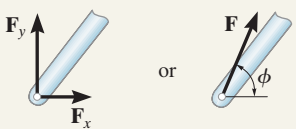

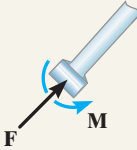

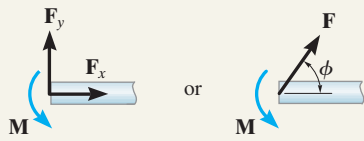
Fig. 5–3

TABLE 5-1 Supports for Rigid Bodies Subjected to Two-Dimensional Force Systems

Types of Connection	Reaction	Number of Unknowns
(1)  cable		One unknown. The reaction is a tension force which acts away from the member in the direction of the cable.
(2)  weightless link	 or 	One unknown. The reaction is a force which acts along the axis of the link.
(3)  roller		One unknown. The reaction is a force which acts perpendicular to the surface at the point of contact.
(4)  roller or pin in confined smooth slot	 or 	One unknown. The reaction is a force which acts perpendicular to the slot.
(5)  rocker		One unknown. The reaction is a force which acts perpendicular to the surface at the point of contact.
(6)  smooth contacting surface		One unknown. The reaction is a force which acts perpendicular to the surface at the point of contact.
(7)  member pin connected to collar on smooth rod	 or 	One unknown. The reaction is a force which acts perpendicular to the rod.

continued

TABLE 5-1 Continued

Types of Connection	Reaction	Number of Unknowns
(8)  smooth pin or hinge		Two unknowns. The reactions are two components of force, or the magnitude and direction ϕ of the resultant force. Note that ϕ and θ are not necessarily equal [usually not, unless the rod shown is a link as in (2)].
(9)  member fixed connected to collar on smooth rod		Two unknowns. The reactions are the couple moment and the force which acts perpendicular to the rod.
(10)  fixed support		Three unknowns. The reactions are the couple moment and the two force components, or the couple moment and the magnitude and direction ϕ of the resultant force.

5

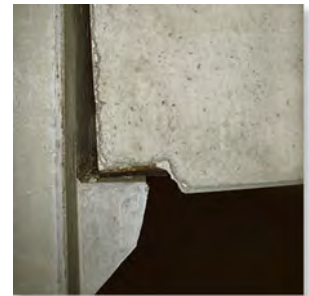
Typical examples of actual supports are shown in the following sequence of photos. The numbers refer to the connection types in Table 5-1.



The cable exerts a force on the bracket in the direction of the cable. (1)



This concrete girder rests on the ledge that is assumed to act as a smooth contacting surface. (6)



This utility building is pin supported at the top of the column. (8)

The rocker support for this bridge girder allows horizontal movement so the bridge is free to expand and contract due to a change in temperature. (5)

The floor beams of this building are welded together and thus form fixed connections. (10)



Internal Forces. As stated in Sec. 5.1, the internal forces that act between adjacent particles in a body always occur in collinear pairs such that they have the same magnitude and act in opposite directions (Newton's third law). Since these forces cancel each other, they will not create an *external effect* on the body. It is for this reason that the internal forces should not be included on the free-body diagram if the entire body is to be considered. For example, the engine shown in Fig. 5-4a has a free-body diagram shown in Fig. 5-4b. The internal forces between all its connected parts such as the screws and bolts, will cancel out because they form equal and opposite collinear pairs. Only the external forces \mathbf{T}_1 and \mathbf{T}_2 , exerted by the chains and the engine weight \mathbf{W} , are shown on the free-body diagram.

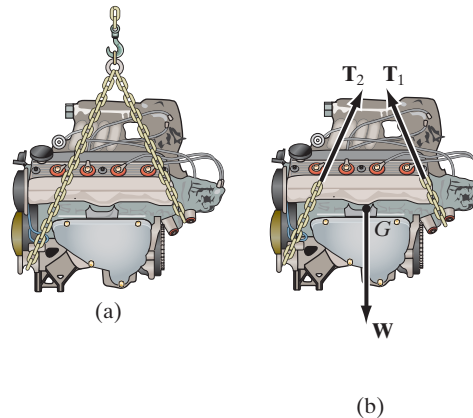


Fig. 5-4

Weight and the Center of Gravity. When a body is within a gravitational field, then each of its particles has a specified weight. It was shown in Sec. 4.8 that such a system of forces can be reduced to a single resultant force acting through a specified point. We refer to this force resultant as the *weight* \mathbf{W} of the body and to the location of its point of application as the *center of gravity*. The methods used for its determination will be developed in Chapter 9.

In the examples and problems that follow, if the weight of the body is important for the analysis, this force will be reported in the problem statement. Also, when the body is *uniform* or made from the same material, the center of gravity will be located at the body's *geometric center* or *centroid*; however, if the body consists of a nonuniform distribution of material, or has an unusual shape, then the location of its center of gravity G will be given.

Idealized Models. When an engineer performs a force analysis of any object, he or she considers a corresponding analytical or idealized model that gives results that approximate as closely as possible the actual situation. To do this, careful choices have to be made so that selection of the type of supports, the material behavior, and the object's dimensions can be justified. This way one can feel confident that any design or analysis will yield results which can be trusted. In complex

cases this process may require developing several different models of the object that must be analyzed. In any case, this selection process requires both skill and experience.

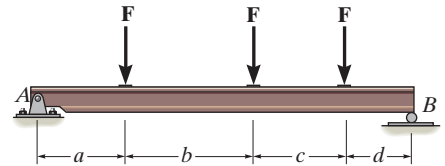
The following two cases illustrate what is required to develop a proper model. In Fig. 5-5a, the steel beam is to be used to support the three roof joists of a building. For a force analysis it is reasonable to assume the material (steel) is rigid since only very small deflections will occur when the beam is loaded. A bolted connection at A will allow for any slight rotation that occurs here when the load is applied, and so a *pin* can be considered for this support. At B a *roller* can be considered since this support offers no resistance to horizontal movement. Building code is used to specify the roof loading A so that the joist loads F can be calculated. These forces will be larger than any actual loading on the beam since they account for extreme loading cases and for dynamic or vibrational effects. Finally, the weight of the beam is generally neglected when it is small compared to the load the beam supports. The idealized model of the beam is therefore shown with average dimensions a , b , c , and d in Fig. 5-5b.

As a second case, consider the lift boom in Fig. 5-6a. By inspection, it is supported by a pin at A and by the hydraulic cylinder BC , which can be approximated as a weightless link. The material can be assumed rigid, and with its density known, the weight of the boom and the location of its center of gravity G are determined. When a design loading P is specified, the idealized model shown in Fig. 5-6b can be used for a force analysis. Average dimensions (not shown) are used to specify the location of the loads and the supports.

Idealized models of specific objects will be given in some of the examples throughout the text. It should be realized, however, that each case represents the reduction of a practical situation using simplifying assumptions like the ones illustrated here.

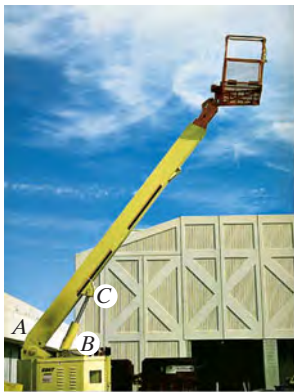


(a)

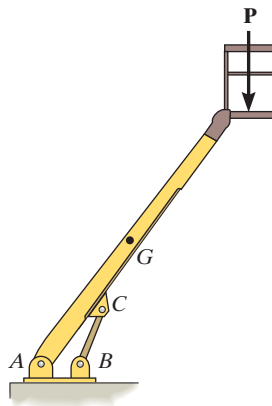


(b)

Fig. 5-5



(a)



(b)

Fig. 5-6

Procedure for Analysis

To construct a free-body diagram for a rigid body or any group of bodies considered as a single system, the following steps should be performed:

Draw Outlined Shape.

Imagine the body to be *isolated* or cut “free” from its constraints and connections and draw (sketch) its outlined shape.

Show All Forces and Couple Moments.

Identify all the known and unknown *external forces* and couple moments that *act on the body*. Those generally encountered are due to (1) applied loadings, (2) reactions occurring at the supports or at points of contact with other bodies (see Table 5–1), and (3) the weight of the body. To account for all these effects, it may help to trace over the boundary, carefully noting each force or couple moment acting on it.

Identify Each Loading and Give Dimensions.

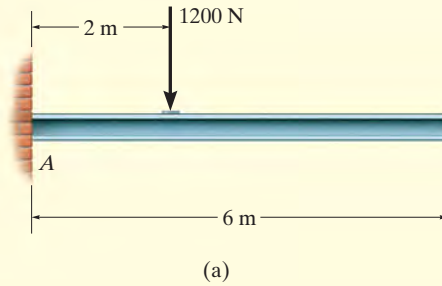
The forces and couple moments that are known should be labeled with their proper magnitudes and directions. Letters are used to represent the magnitudes and direction angles of forces and couple moments that are unknown. Establish an x, y coordinate system so that these unknowns, A_x, A_y , etc., can be identified. Finally, indicate the dimensions of the body necessary for calculating the moments of forces.

Important Points

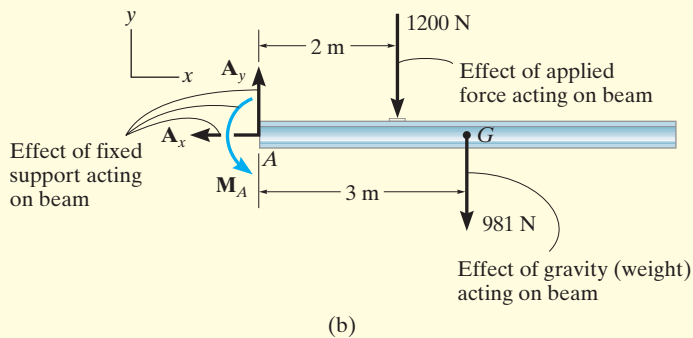
- No equilibrium problem should be solved without *first drawing the free-body diagram*, so as to account for all the forces and couple moments that act on the body.
- If a support *prevents translation* of a body in a particular direction, then the support exerts a *force* on the body in that direction.
- If *rotation is prevented*, then the support exerts a *couple moment* on the body.
- Study Table 5–1.
- Internal forces are never shown on the free-body diagram since they occur in equal but opposite collinear pairs and therefore cancel out.
- The weight of a body is an external force, and its effect is represented by a single resultant force acting through the body’s center of gravity G .
- *Couple moments* can be placed anywhere on the free-body diagram since they are *free vectors*. *Forces* can act at any point along their lines of action since they are *sliding vectors*.

EXAMPLE 5.1

Draw the free-body diagram of the uniform beam shown in Fig. 5–7a. The beam has a mass of 100 kg.

**SOLUTION**

The free-body diagram of the beam is shown in Fig. 5–7b. Since the support at A is fixed, the wall exerts three reactions *on the beam*, denoted as \mathbf{A}_x , \mathbf{A}_y , and \mathbf{M}_A . The magnitudes of these reactions are *unknown*, and their sense has been *assumed*. The weight of the beam, $W = 100(9.81) \text{ N} = 981 \text{ N}$, acts through the beam's center of gravity G , which is 3 m from A since the beam is uniform.

**Fig. 5–7**

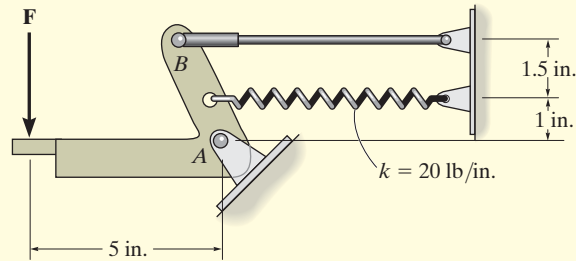
EXAMPLE 5.2

Draw the free-body diagram of the foot lever shown in Fig. 5–8*a*. The operator applies a vertical force to the pedal so that the spring is stretched 1.5 in. and the force in the short link at *B* is 20 lb.

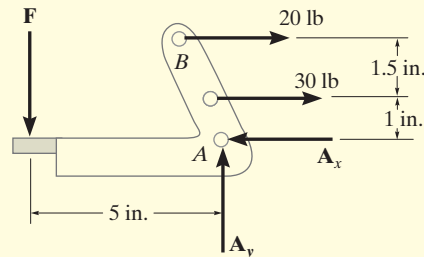


(a)

Fig. 5–8



(b)



(c)

SOLUTION

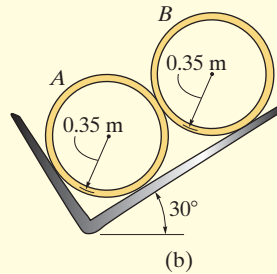
By inspection of the photo the lever is loosely bolted to the frame at *A*. The rod at *B* is pinned at its ends and acts as a “short link.” After making the proper measurements, the idealized model of the lever is shown in Fig. 5–8*b*. From this, the free-body diagram is shown in Fig. 5–8*c*. The pin support at *A* exerts force components \mathbf{A}_x and \mathbf{A}_y on the lever. The link at *B* exerts a force of 20 lb, acting in the direction of the link. In addition the spring also exerts a horizontal force on the lever. If the stiffness is measured and found to be $k = 20$ lb/in., then since the stretch $s = 1.5$ in., using Eq. 3–2, $F_s = ks = 20$ lb/in. (1.5 in.) = 30 lb. Finally, the operator’s shoe applies a vertical force of \mathbf{F} on the pedal. The dimensions of the lever are also shown on the free-body diagram, since this information will be useful when computing the moments of the forces. As usual, the senses of the unknown forces at *A* have been assumed. The correct senses will become apparent after solving the equilibrium equations.

EXAMPLE 5.3

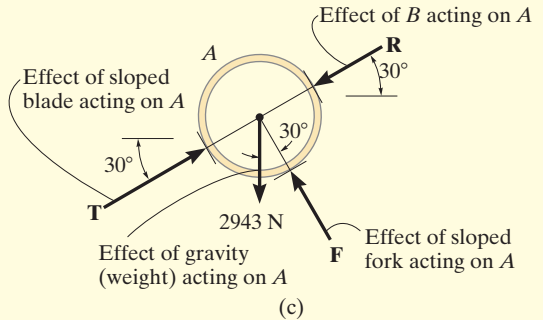
Two smooth pipes, each having a mass of 300 kg, are supported by the forked tines of the tractor in Fig. 5–9a. Draw the free-body diagrams for each pipe and both pipes together.



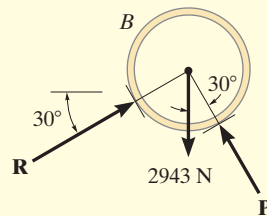
(a)



(b)



(c)



(d)

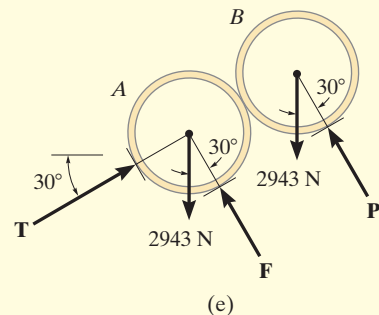
SOLUTION

The idealized model from which we must draw the free-body diagrams is shown in Fig. 5–9b. Here the pipes are identified, the dimensions have been added, and the physical situation reduced to its simplest form.

The free-body diagram for pipe *A* is shown in Fig. 5–9c. Its weight is $W = 300(9.81) \text{ N} = 2943 \text{ N}$. Assuming all contacting surfaces are *smooth*, the reactive forces **T**, **F**, **R** act in a direction *normal* to the tangent at their surfaces of contact.

The free-body diagram of pipe *B* is shown in Fig. 5–9d. Can you identify each of the three forces acting *on this pipe*? In particular, note that **R**, representing the force of *A* on *B*, Fig. 5–9d, is equal and opposite to **R** representing the force of *B* on *A*, Fig. 5–9c. This is a consequence of Newton's third law of motion.

The free-body diagram of both pipes combined (“system”) is shown in Fig. 5–9e. Here the contact force **R**, which acts between *A* and *B*, is considered as an *internal* force and hence is not shown on the free-body diagram. That is, it represents a pair of equal but opposite collinear forces which cancel each other.

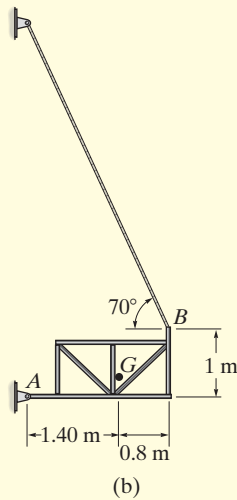


(e)

Fig. 5–9

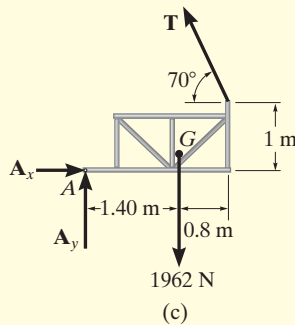
EXAMPLE 5.4

Draw the free-body diagram of the unloaded platform that is suspended off the edge of the oil rig shown in Fig. 5–10*a*. The platform has a mass of 200 kg.



(a)

Fig. 5–10

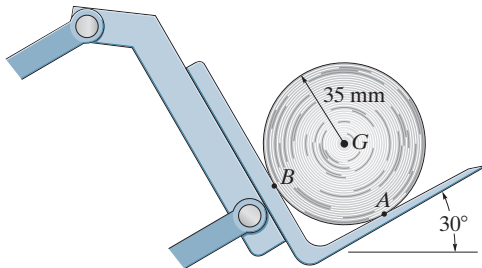


SOLUTION

The idealized model of the platform will be considered in two dimensions because by observation the loading and the dimensions are all symmetrical about a vertical plane passing through its center, Fig. 5–10*b*. The connection at *A* is considered to be a pin, and the cable supports the platform at *B*. The direction of the cable and average dimensions of the platform are listed, and the center of gravity *G* has been determined. It is from this model that we have drawn the free-body diagram shown in Fig. 5–10*c*. The platform's weight is $200(9.81) = 1962$ N. The force components A_x and A_y along with the cable force T represent the reactions that *both* pins and *both* cables exert on the platform, Fig. 5–10*a*. Consequently, after the solution for these reactions, half their magnitude is developed at *A* and half is developed at *B*.

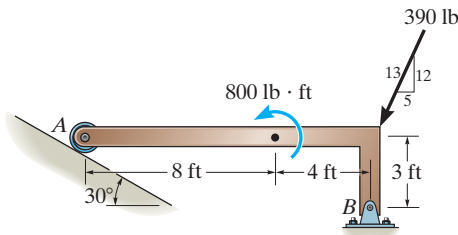
PROBLEMS

•5-1. Draw the free-body diagram of the 50-kg paper roll which has a center of mass at G and rests on the smooth blade of the paper hauler. Explain the significance of each force acting on the diagram. (See Fig. 5-7b.)



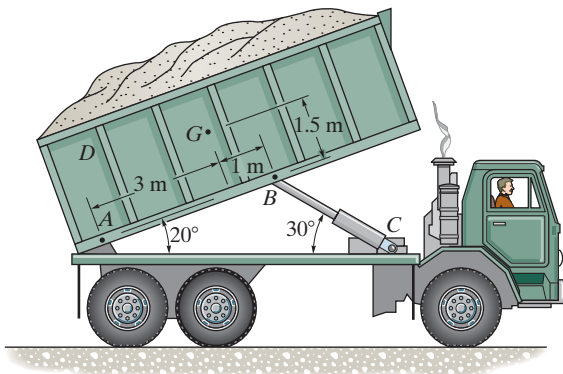
Prob. 5-1

5-2. Draw the free-body diagram of member AB , which is supported by a roller at A and a pin at B . Explain the significance of each force on the diagram. (See Fig. 5-7b.)



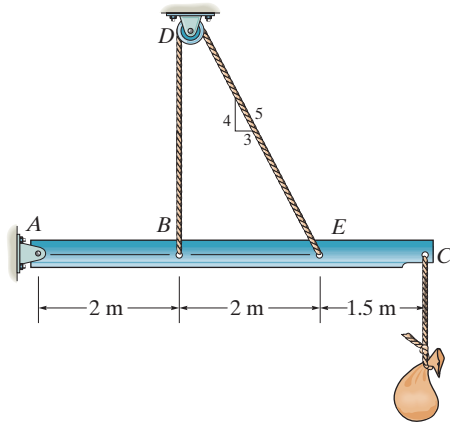
Prob. 5-2

5-3. Draw the free-body diagram of the dumpster D of the truck, which has a weight of 5000 lb and a center of gravity at G . It is supported by a pin at A and a pin-connected hydraulic cylinder BC (short link). Explain the significance of each force on the diagram. (See Fig. 5-7b.)



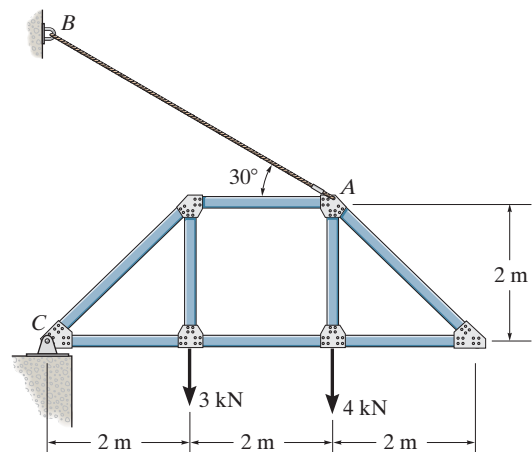
Prob. 5-3

***5-4.** Draw the free-body diagram of the beam which supports the 80-kg load and is supported by the pin at A and a cable which wraps around the pulley at D . Explain the significance of each force on the diagram. (See Fig. 5-7b.)



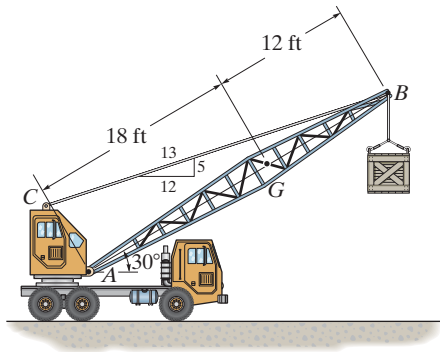
Prob. 5-4

•5-5. Draw the free-body diagram of the truss that is supported by the cable AB and pin C . Explain the significance of each force acting on the diagram. (See Fig. 5-7b.)



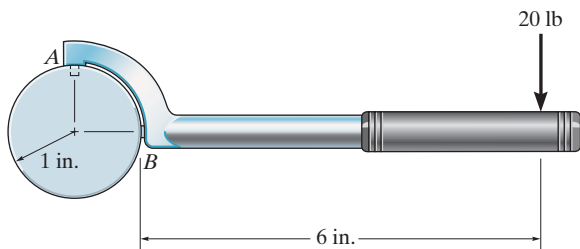
Prob. 5-5

5-6. Draw the free-body diagram of the crane boom AB which has a weight of 650 lb and center of gravity at G . The boom is supported by a pin at A and cable BC . The load of 1250 lb is suspended from a cable attached at B . Explain the significance of each force acting on the diagram. (See Fig. 5-7b.)



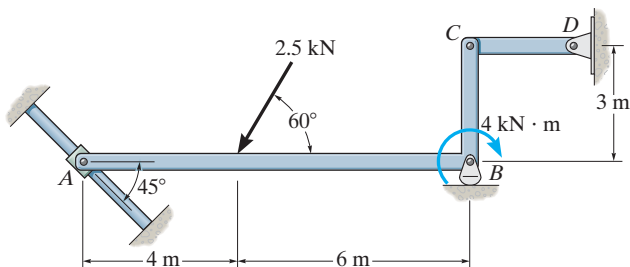
Prob. 5-6

5-7. Draw the free-body diagram of the “spanner wrench” subjected to the 20-lb force. The support at A can be considered a pin, and the surface of contact at B is smooth. Explain the significance of each force on the diagram. (See Fig. 5-7b.)



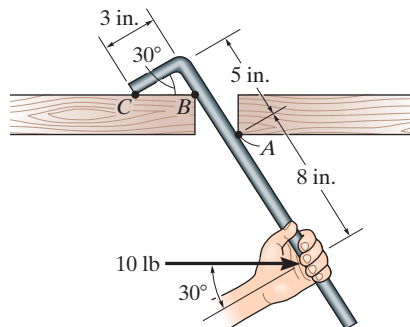
Prob. 5-7

***5-8.** Draw the free-body diagram of member ABC which is supported by a smooth collar at A , roller at B , and short link CD . Explain the significance of each force acting on the diagram. (See Fig. 5-7b.)



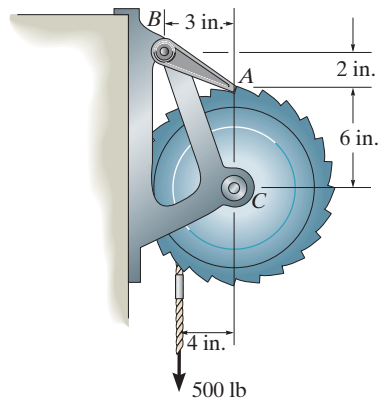
Prob. 5-8

•5-9. Draw the free-body diagram of the bar, which has a negligible thickness and smooth points of contact at A , B , and C . Explain the significance of each force on the diagram. (See Fig. 5-7b.)



Prob. 5-9

5-10. Draw the free-body diagram of the winch, which consists of a drum of radius 4 in. It is pin-connected at its center C , and at its outer rim is a ratchet gear having a mean radius of 6 in. The pawl AB serves as a two-force member (short link) and prevents the drum from rotating. Explain the significance of each force on the diagram. (See Fig. 5-7b.)



Prob. 5-10

CONCEPTUAL PROBLEMS

P5-1. Draw the free-body diagram of the uniform trash bucket which has a significant weight. It is pinned at A and rests against the smooth horizontal member at B . Show your result in side view. Label any necessary dimensions.



P5-1

P5-2. Draw the free-body diagram of the outrigger ABC used to support a backhoe. The top pin B is connected to the hydraulic cylinder, which can be considered to be a short link (two-force member), the bearing shoe at A is smooth, and the outrigger is pinned to the frame at C .



P5-2

P5-3. Draw the free-body diagram of the wing on the passenger plane. The weights of the engine and wing are significant. The tires at B are free to roll.



P5-3

***P5-4.** Draw the free-body diagram of the wheel and member ABC used as part of the landing gear on a jet plane. The hydraulic cylinder AD acts as a two-force member, and there is a pin connection at B .

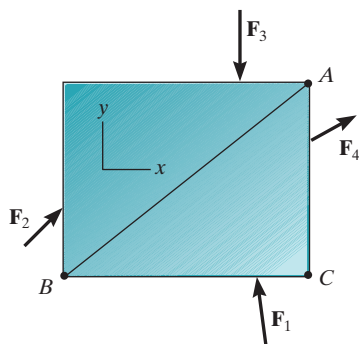


P5-4

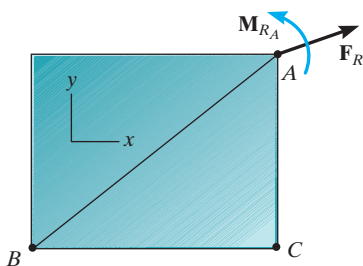
5.3 Equations of Equilibrium

In Sec. 5.1 we developed the two equations which are both necessary and sufficient for the equilibrium of a rigid body, namely, $\Sigma \mathbf{F} = \mathbf{0}$ and $\Sigma \mathbf{M}_O = \mathbf{0}$. When the body is subjected to a system of forces, which all lie in the x - y plane, then the forces can be resolved into their x and y components. Consequently, the conditions for equilibrium in two dimensions are

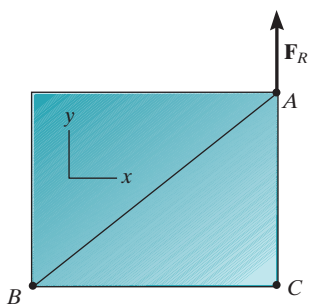
$$\begin{aligned} \Sigma F_x &= 0 \\ \Sigma F_y &= 0 \\ \Sigma M_O &= 0 \end{aligned} \quad (5-2)$$



(a)



(b)



(c)

Fig. 5-11

Here ΣF_x and ΣF_y represent, respectively, the algebraic sums of the x and y components of all the forces acting on the body, and ΣM_O represents the algebraic sum of the couple moments and the moments of all the force components about the z axis, which is perpendicular to the x - y plane and passes through the arbitrary point O .

Alternative Sets of Equilibrium Equations. Although Eqs. 5-2 are *most often* used for solving coplanar equilibrium problems, two *alternative* sets of three independent equilibrium equations may also be used. One such set is

$$\begin{aligned} \Sigma F_x &= 0 \\ \Sigma M_A &= 0 \\ \Sigma M_B &= 0 \end{aligned} \quad (5-3)$$

When using these equations it is required that a line passing through points A and B is *not parallel* to the y axis. To prove that Eqs. 5-3 provide the *conditions* for equilibrium, consider the free-body diagram of the plate shown in Fig. 5-11a. Using the methods of Sec. 4.8, all the forces on the free-body diagram may be replaced by an equivalent resultant force $\mathbf{F}_R = \Sigma \mathbf{F}$, acting at point A , and a resultant couple moment $\mathbf{M}_{R,A} = \Sigma \mathbf{M}_A$, Fig. 5-11b. If $\Sigma M_A = 0$ is satisfied, it is necessary that $\mathbf{M}_{R,A} = \mathbf{0}$. Furthermore, in order that \mathbf{F}_R satisfy $\Sigma F_x = 0$, it must have *no component* along the x axis, and therefore \mathbf{F}_R must be parallel to the y axis, Fig. 5-11c. Finally, if it is required that $\Sigma M_B = 0$, where B does not lie on the line of action of \mathbf{F}_R , then $\mathbf{F}_R = \mathbf{0}$. Since Eqs. 5-3 show that both of these resultants are zero, indeed the body in Fig. 5-11a must be in equilibrium.

A second alternative set of equilibrium equations is

$$\begin{aligned}\Sigma M_A &= 0 \\ \Sigma M_B &= 0 \\ \Sigma M_C &= 0\end{aligned}\quad (5-4)$$

Here it is necessary that points A , B , and C do not lie on the same line. To prove that these equations, when satisfied, ensure equilibrium, consider again the free-body diagram in Fig. 5-11*b*. If $\Sigma M_A = 0$ is to be satisfied, then $\mathbf{M}_{R_A} = \mathbf{0}$. $\Sigma M_C = 0$ is satisfied if the line of action of \mathbf{F}_R passes through point C as shown in Fig. 5-11*c*. Finally, if we require $\Sigma M_B = 0$, it is necessary that $\mathbf{F}_R = \mathbf{0}$, and so the plate in Fig. 5-11*a* must then be in equilibrium.

Procedure for Analysis

5

Coplanar force equilibrium problems for a rigid body can be solved using the following procedure.

Free-Body Diagram.

- Establish the x , y coordinate axes in any suitable orientation.
- Draw an outlined shape of the body.
- Show all the forces and couple moments acting on the body.
- Label all the loadings and specify their directions relative to the x or y axis. The sense of a force or couple moment having an *unknown* magnitude but known line of action can be *assumed*.
- Indicate the dimensions of the body necessary for computing the moments of forces.

Equations of Equilibrium.

- Apply the moment equation of equilibrium, $\Sigma M_O = 0$, about a point (O) that lies at the intersection of the lines of action of two unknown forces. In this way, the moments of these unknowns are zero about O , and a *direct solution* for the third unknown can be determined.
- When applying the force equilibrium equations, $\Sigma F_x = 0$ and $\Sigma F_y = 0$, orient the x and y axes along lines that will provide the simplest resolution of the forces into their x and y components.
- If the solution of the equilibrium equations yields a negative scalar for a force or couple moment magnitude, this indicates that the sense is opposite to that which was assumed on the free-body diagram.

EXAMPLE 5.5

Determine the horizontal and vertical components of reaction on the beam caused by the pin at B and the rocker at A as shown in Fig. 5–12a. Neglect the weight of the beam.

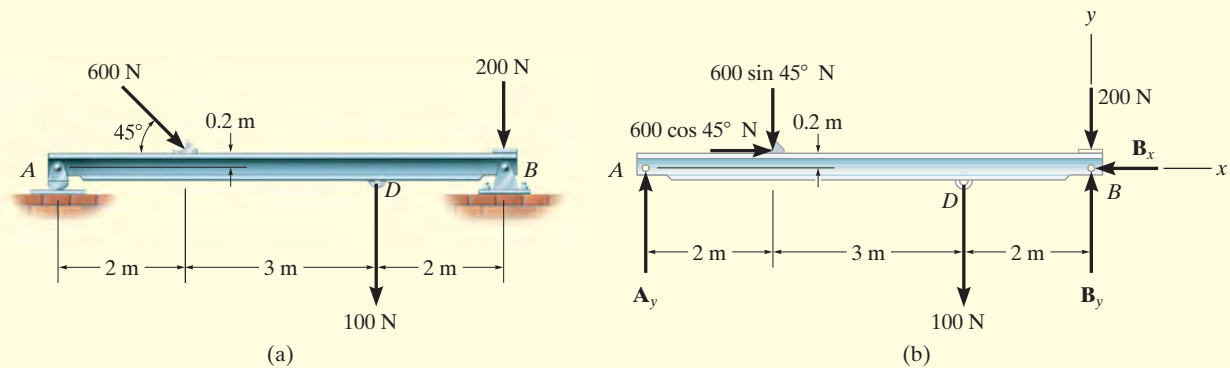


Fig. 5–12

SOLUTION

Free-Body Diagram. Identify each of the forces shown on the free-body diagram of the beam, Fig. 5–12b. (See Example 5.1.) For simplicity, the 600-N force is represented by its x and y components as shown in Fig. 5–12b.

Equations of Equilibrium. Summing forces in the x direction yields

$$\rightarrow \Sigma F_x = 0; \quad 600 \cos 45^\circ \text{ N} - B_x = 0$$

$$B_x = 424 \text{ N} \quad \text{Ans.}$$

A direct solution for A_y can be obtained by applying the moment equation $\Sigma M_B = 0$ about point B .

$$\zeta + \Sigma M_B = 0; \quad 100 \text{ N}(2 \text{ m}) + (600 \sin 45^\circ \text{ N})(5 \text{ m}) \\ - (600 \cos 45^\circ \text{ N})(0.2 \text{ m}) - A_y(7 \text{ m}) = 0$$

$$A_y = 319 \text{ N} \quad \text{Ans.}$$

Summing forces in the y direction, using this result, gives

$$+\uparrow \Sigma F_y = 0; \quad 319 \text{ N} - 600 \sin 45^\circ \text{ N} - 100 \text{ N} - 200 \text{ N} + B_y = 0$$

$$B_y = 405 \text{ N} \quad \text{Ans.}$$

NOTE: We can check this result by summing moments about point A .

$$\zeta + \Sigma M_A = 0; \quad -(600 \sin 45^\circ \text{ N})(2 \text{ m}) - (600 \cos 45^\circ \text{ N})(0.2 \text{ m}) \\ -(100 \text{ N})(5 \text{ m}) - (200 \text{ N})(7 \text{ m}) + B_y(7 \text{ m}) = 0$$

$$B_y = 405 \text{ N} \quad \text{Ans.}$$

EXAMPLE 5.6

The cord shown in Fig. 5–13a supports a force of 100 lb and wraps over the frictionless pulley. Determine the tension in the cord at C and the horizontal and vertical components of reaction at pin A .

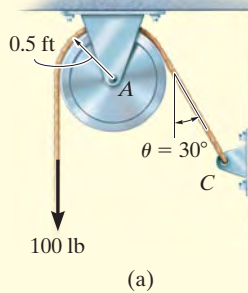


Fig. 5–13

SOLUTION

Free-Body Diagrams. The free-body diagrams of the cord and pulley are shown in Fig. 5–13b. Note that the principle of action, equal but opposite reaction must be carefully observed when drawing each of these diagrams: the cord exerts an unknown load distribution p on the pulley at the contact surface, whereas the pulley exerts an equal but opposite effect on the cord. For the solution, however, it is simpler to *combine* the free-body diagrams of the pulley and this portion of the cord, so that the distributed load becomes *internal* to this “system” and is therefore eliminated from the analysis, Fig. 5–13c.

Equations of Equilibrium. Summing moments about point A to eliminate \mathbf{A}_x and \mathbf{A}_y , Fig. 5–13c, we have

$$\zeta + \Sigma M_A = 0; \quad 100 \text{ lb} (0.5 \text{ ft}) - T(0.5 \text{ ft}) = 0$$

$$T = 100 \text{ lb}$$

Ans.

Using the result,

$$\rightarrow \Sigma F_x = 0; \quad -A_x + 100 \sin 30^\circ \text{ lb} = 0$$

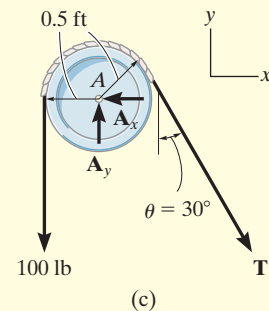
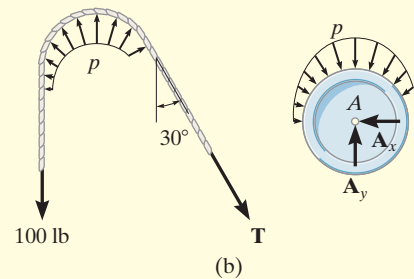
$$A_x = 50.0 \text{ lb}$$

Ans.

$$+\uparrow \Sigma F_y = 0; \quad A_y - 100 \text{ lb} - 100 \cos 30^\circ \text{ lb} = 0$$

$$A_y = 187 \text{ lb}$$

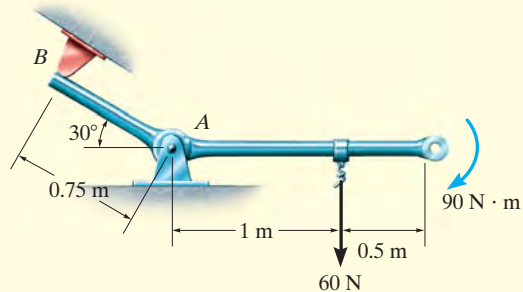
Ans.



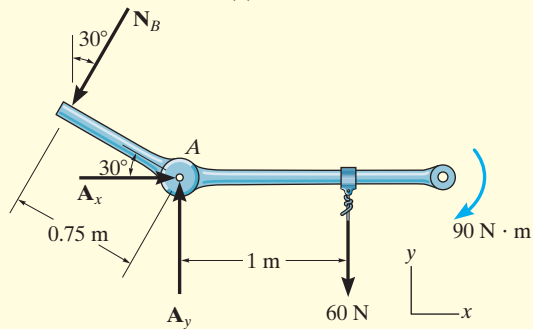
NOTE: It is seen that the tension remains *constant* as the cord passes over the pulley. (This of course is true for *any* angle θ at which the cord is directed and for *any* radius r of the pulley.)

EXAMPLE 5.7

The member shown in Fig. 5–14a is pin-connected at A and rests against a smooth support at B . Determine the horizontal and vertical components of reaction at the pin A .



(a)



(b)

Fig. 5–14

SOLUTION

Free-Body Diagram. As shown in Fig. 5–14b, the reaction \mathbf{N}_B is perpendicular to the member at B . Also, horizontal and vertical components of reaction are represented at A .

Equations of Equilibrium. Summing moments about A , we obtain a direct solution for N_B ,

$$\zeta + \sum M_A = 0; \quad -90 \text{ N} \cdot \text{m} - 60 \text{ N}(1 \text{ m}) + N_B(0.75 \text{ m}) = 0$$

$$N_B = 200 \text{ N}$$

Using this result,

$$\rightarrow \sum F_x = 0; \quad A_x - 200 \sin 30^\circ \text{ N} = 0$$

$$A_x = 100 \text{ N}$$

Ans.

$$+\uparrow \sum F_y = 0; \quad A_y - 200 \cos 30^\circ \text{ N} - 60 \text{ N} = 0$$

$$A_y = 233 \text{ N}$$

Ans.

EXAMPLE 5.8

The box wrench in Fig. 5–15*a* is used to tighten the bolt at *A*. If the wrench does not turn when the load is applied to the handle, determine the torque or moment applied to the bolt and the force of the wrench on the bolt.

SOLUTION

Free-Body Diagram. The free-body diagram for the wrench is shown in Fig. 5–15*b*. Since the bolt acts as a “fixed support,” it exerts force components \mathbf{A}_x and \mathbf{A}_y and a moment \mathbf{M}_A on the wrench at *A*.

Equations of Equilibrium.

$$\rightarrow \Sigma F_x = 0; \quad A_x - 52\left(\frac{5}{13}\right) \text{ N} + 30 \cos 60^\circ \text{ N} = 0$$

$$A_x = 5.00 \text{ N}$$

Ans.

$$+\uparrow \Sigma F_y = 0; \quad A_y - 52\left(\frac{12}{13}\right) \text{ N} - 30 \sin 60^\circ \text{ N} = 0$$

$$A_y = 74.0 \text{ N}$$

Ans.

$$\zeta + \Sigma M_A = 0; \quad M_A - \left[52\left(\frac{12}{13}\right) \text{ N}\right](0.3 \text{ m}) - (30 \sin 60^\circ \text{ N})(0.7 \text{ m}) = 0$$

$$M_A = 32.6 \text{ N} \cdot \text{m}$$

Ans.

Note that \mathbf{M}_A must be *included* in this moment summation. This couple moment is a free vector and represents the twisting resistance of the bolt on the wrench. By Newton’s third law, the wrench exerts an equal but opposite moment or torque on the bolt. Furthermore, the resultant force on the wrench is

$$F_A = \sqrt{(5.00)^2 + (74.0)^2} = 74.1 \text{ N}$$

Ans.

NOTE: Although only *three* independent equilibrium equations can be written for a rigid body, it is a good practice to *check* the calculations using a fourth equilibrium equation. For example, the above computations may be verified in part by summing moments about point *C*:

$$\zeta + \Sigma M_C = 0; \quad \left[52\left(\frac{12}{13}\right) \text{ N}\right](0.4 \text{ m}) + 32.6 \text{ N} \cdot \text{m} - 74.0 \text{ N}(0.7 \text{ m}) = 0$$

$$19.2 \text{ N} \cdot \text{m} + 32.6 \text{ N} \cdot \text{m} - 51.8 \text{ N} \cdot \text{m} = 0$$

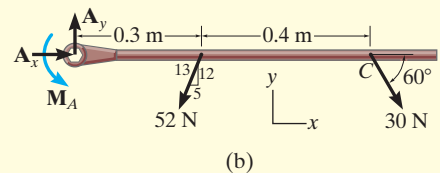
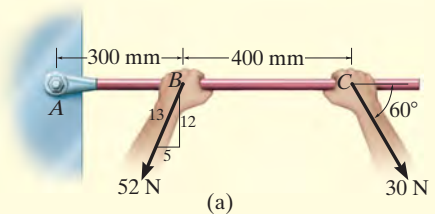


Fig. 5–15

EXAMPLE 5.9

Determine the horizontal and vertical components of reaction on the member at the pin A , and the normal reaction at the roller B in Fig. 5–16a.

SOLUTION

Free-Body Diagram. The free-body diagram is shown in Fig. 5–16b. The pin at A exerts two components of reaction on the member, \mathbf{A}_x and \mathbf{A}_y .

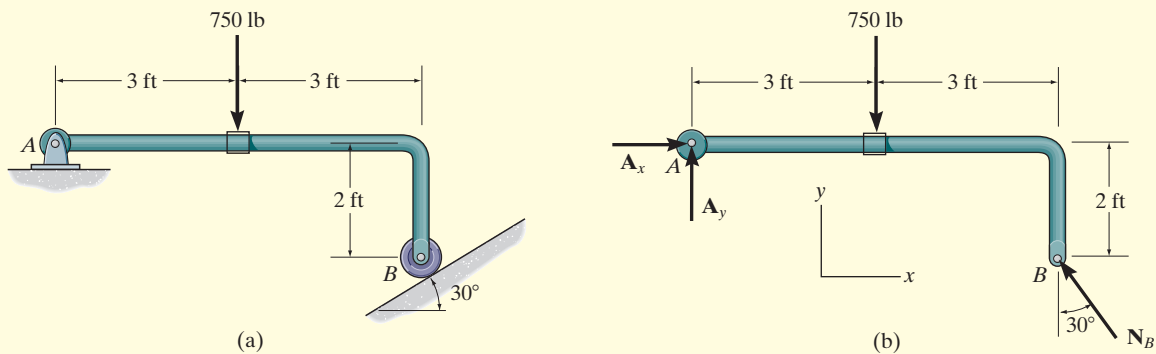


Fig. 5–16

Equations of Equilibrium. The reaction N_B can be obtained *directly* by summing moments about point A since \mathbf{A}_x and \mathbf{A}_y produce no moment about A .

$$\zeta + \Sigma M_A = 0;$$

$$[N_B \cos 30^\circ](6 \text{ ft}) - [N_B \sin 30^\circ](2 \text{ ft}) - 750 \text{ lb}(3 \text{ ft}) = 0$$

$$N_B = 536.2 \text{ lb} = 536 \text{ lb}$$

Ans.

Using this result,

$$\rightarrow \Sigma F_x = 0; \quad A_x - (536.2 \text{ lb}) \sin 30^\circ = 0$$

$$A_x = 268 \text{ lb}$$

Ans.

$$+ \uparrow \Sigma F_y = 0; \quad A_y + (536.2 \text{ lb}) \cos 30^\circ - 750 \text{ lb} = 0$$

$$A_y = 286 \text{ lb}$$

Ans.

EXAMPLE 5.10

The uniform smooth rod shown in Fig. 5–17a is subjected to a force and couple moment. If the rod is supported at A by a smooth wall and at B and C either at the top or bottom by rollers, determine the reactions at these supports. Neglect the weight of the rod.

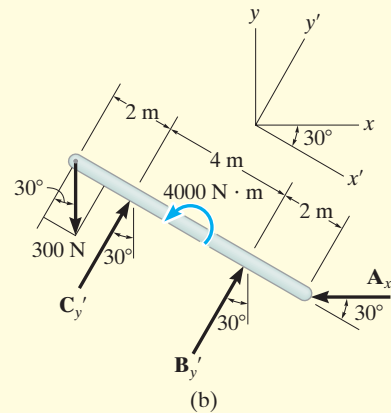
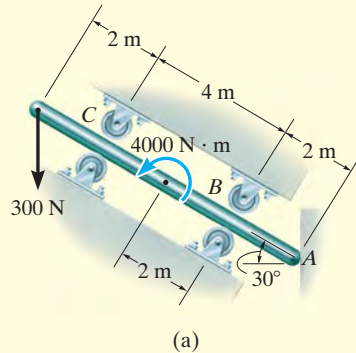


Fig. 5–17

5

SOLUTION

Free-Body Diagram. As shown in Fig. 5–17b, all the support reactions act normal to the surfaces of contact since these surfaces are smooth. The reactions at B and C are shown acting in the positive y' direction. This assumes that only the rollers located on the bottom of the rod are used for support.

Equations of Equilibrium. Using the x, y coordinate system in Fig. 5–17b, we have

$$\rightarrow \Sigma F_x = 0; \quad C_{y'} \sin 30^\circ + B_{y'} \sin 30^\circ - A_x = 0 \quad (1)$$

$$+\uparrow \Sigma F_y = 0; \quad -300 \text{ N} + C_{y'} \cos 30^\circ + B_{y'} \cos 30^\circ = 0 \quad (2)$$

$$\zeta + \Sigma M_A = 0; \quad -B_{y'}(2 \text{ m}) + 4000 \text{ N} \cdot \text{m} - C_{y'}(6 \text{ m}) + (300 \cos 30^\circ \text{ N})(8 \text{ m}) = 0 \quad (3)$$

When writing the moment equation, it should be noted that the line of action of the force component $300 \sin 30^\circ \text{ N}$ passes through point A , and therefore this force is not included in the moment equation.

Solving Eqs. 2 and 3 simultaneously, we obtain

$$B_{y'} = -1000.0 \text{ N} = -1 \text{ kN} \quad \text{Ans.}$$

$$C_{y'} = 1346.4 \text{ N} = 1.35 \text{ kN} \quad \text{Ans.}$$

Since $B_{y'}$ is a negative scalar, the sense of $\mathbf{B}_{y'}$ is opposite to that shown on the free-body diagram in Fig. 5–17b. Therefore, the top roller at B serves as the support rather than the bottom one. Retaining the negative sign for $B_{y'}$ (Why?) and substituting the results into Eq. 1, we obtain

$$1346.4 \sin 30^\circ \text{ N} + (-1000.0 \sin 30^\circ \text{ N}) - A_x = 0$$

$$A_x = 173 \text{ N} \quad \text{Ans.}$$

EXAMPLE 5.11



(a)

The uniform truck ramp shown in Fig. 5–18a has a weight of 400 lb and is pinned to the body of the truck at each side and held in the position shown by the two side cables. Determine the tension in the cables.

SOLUTION

The idealized model of the ramp, which indicates all necessary dimensions and supports, is shown in Fig. 5–18b. Here the center of gravity is located at the midpoint since the ramp is considered to be uniform.

Free-Body Diagram. Working from the idealized model, the ramp's free-body diagram is shown in Fig. 5–18c.

Equations of Equilibrium. Summing moments about point A will yield a direct solution for the cable tension. Using the principle of moments, there are several ways of determining the moment of \mathbf{T} about A . If we use x and y components, with \mathbf{T} applied at B , we have

$$\zeta + \Sigma M_A = 0; \quad -T \cos 20^\circ (7 \sin 30^\circ \text{ ft}) + T \sin 20^\circ (7 \cos 30^\circ \text{ ft}) \\ + 400 \text{ lb} (5 \cos 30^\circ \text{ ft}) = 0$$

$$T = 1425 \text{ lb}$$

The simplest way to determine the moment of \mathbf{T} about A is to resolve it into components along and perpendicular to the ramp at B . Then the moment of the component along the ramp will be zero about A , so that

$$\zeta + \Sigma M_A = 0; \quad -T \sin 10^\circ (7 \text{ ft}) + 400 \text{ lb} (5 \cos 30^\circ \text{ ft}) = 0$$

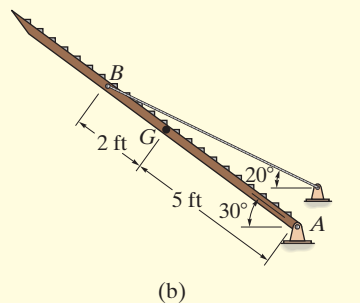
$$T = 1425 \text{ lb}$$

Since there are two cables supporting the ramp,

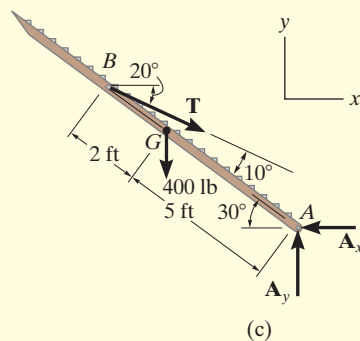
$$T' = \frac{T}{2} = 712 \text{ lb}$$

Ans.

NOTE: As an exercise, show that $A_x = 1339 \text{ lb}$ and $A_y = 887.4 \text{ lb}$.



(b)

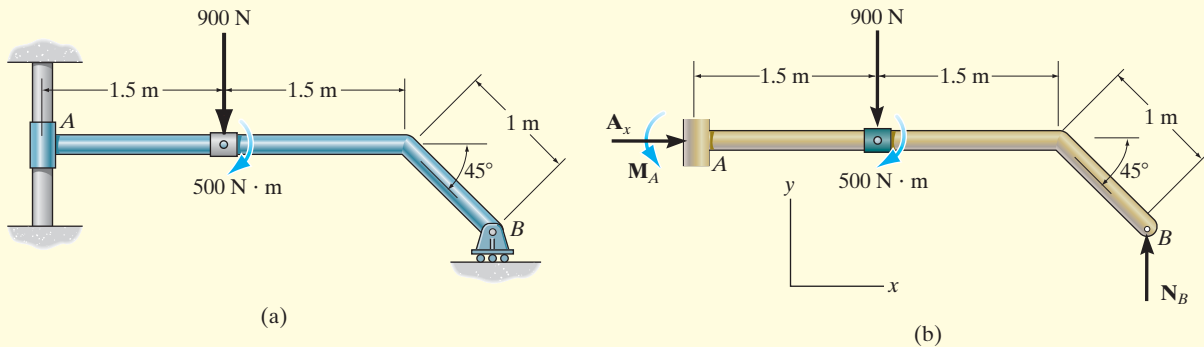


(c)

Fig. 5–18

EXAMPLE 5.12

Determine the support reactions on the member in Fig. 5–19*a*. The collar at *A* is fixed to the member and can slide vertically along the vertical shaft.

**Fig. 5–19****SOLUTION**

Free-Body Diagram. The free-body diagram of the member is shown in Fig. 5–19*b*. The collar exerts a horizontal force A_x and moment M_A on the member. The reaction N_B of the roller on the member is vertical.

Equations of Equilibrium. The forces A_x and N_B can be determined directly from the force equations of equilibrium.

$$\begin{aligned} \pm \Sigma F_x = 0; & & A_x = 0 & & \text{Ans.} \\ +\uparrow \Sigma F_y = 0; & & N_B - 900 \text{ N} = 0 & & \\ & & N_B - 900 \text{ N} & & \text{Ans.} \end{aligned}$$

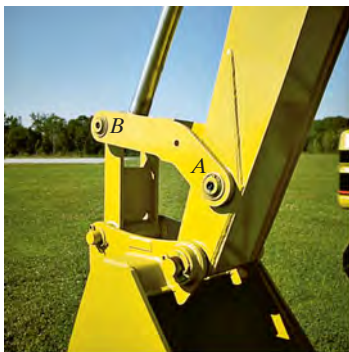
The moment M_A can be determined by summing moments either about point *A* or point *B*.

$$\begin{aligned} \zeta + \Sigma M_A = 0; \\ M_A - 900 \text{ N}(1.5 \text{ m}) - 500 \text{ N} \cdot \text{m} + 900 \text{ N} [3 \text{ m} + (1 \text{ m}) \cos 45^\circ] = 0 \\ M_A = -1486 \text{ N} \cdot \text{m} = 1.49 \text{ kN} \cdot \text{m} \curvearrowright & & \text{Ans.} \end{aligned}$$

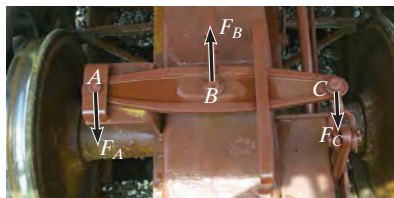
or

$$\begin{aligned} \zeta + \Sigma M_B = 0; M_A + 900 \text{ N} [1.5 \text{ m} + (1 \text{ m}) \cos 45^\circ] - 500 \text{ N} \cdot \text{m} = 0 \\ M_A = -1486 \text{ N} \cdot \text{m} = 1.49 \text{ kN} \cdot \text{m} \curvearrowright & & \text{Ans.} \end{aligned}$$

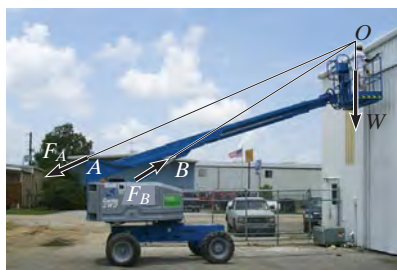
The negative sign indicates that M_A has the opposite sense of rotation to that shown on the free-body diagram.



The bucket link AB on the back-hoe is a typical example of a two-force member since it is pin connected at its ends and, provided its weight is neglected, no other force acts on this member.



The link used for this railroad car brake is a three-force member. Since the force \mathbf{F}_B in the tie rod at B and \mathbf{F}_C from the link at C are parallel, then for equilibrium the resultant force \mathbf{F}_A at the pin A must also be parallel with these two forces.

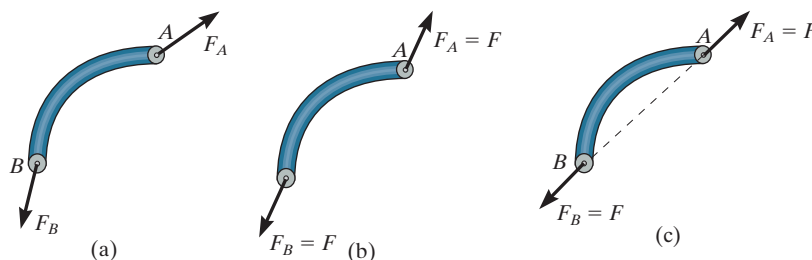


The boom on this lift is a three-force member, provided its weight is neglected. Here the lines of action of the weight of the worker, \mathbf{W} , and the force of the two-force member (hydraulic cylinder) at B , \mathbf{F}_B , intersect at O . For moment equilibrium, the resultant force at the pin A , \mathbf{F}_A , must also be directed towards O .

5.4 Two- and Three-Force Members

The solutions to some equilibrium problems can be simplified by recognizing members that are subjected to only two or three forces.

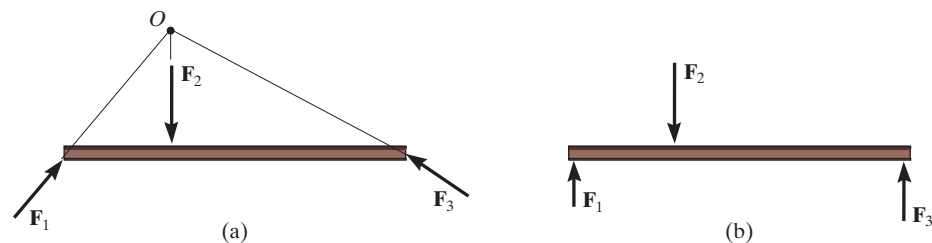
Two-Force Members As the name implies, a *two-force member* has forces applied at only two points on the member. An example of a two-force member is shown in Fig. 5–20a. To satisfy force equilibrium, \mathbf{F}_A and \mathbf{F}_B must be equal in magnitude, $F_A = F_B = F$, but opposite in direction ($\Sigma \mathbf{F} = \mathbf{0}$), Fig. 5–20b. Furthermore, moment equilibrium requires that \mathbf{F}_A and \mathbf{F}_B share the same line of action, which can only happen if they are directed along the line joining points A and B ($\Sigma \mathbf{M}_A = \mathbf{0}$ or $\Sigma \mathbf{M}_B = \mathbf{0}$), Fig. 5–20c. Therefore, for any two-force member to be in equilibrium, the two forces acting on the member *must have the same magnitude, act in opposite directions, and have the same line of action, directed along the line joining the two points where these forces act.*



Two-force member

Fig. 5–20

Three-Force Members If a member is subjected to only *three forces*, it is called a *three-force member*. Moment equilibrium can be satisfied only if the three forces form a *concurrent* or *parallel* force system. To illustrate, consider the member subjected to the three forces \mathbf{F}_1 , \mathbf{F}_2 , and \mathbf{F}_3 , shown in Fig. 5–21a. If the lines of action of \mathbf{F}_1 and \mathbf{F}_2 intersect at point O , then the line of action of \mathbf{F}_3 must *also* pass through point O so that the forces satisfy $\Sigma \mathbf{M}_O = \mathbf{0}$. As a special case, if the three forces are all parallel, Fig. 5–21b, the location of the point of intersection, O , will approach infinity.



Three-force member

Fig. 5–21

EXAMPLE 5.13

The lever ABC is pin supported at A and connected to a short link BD as shown in Fig. 5–22a. If the weight of the members is negligible, determine the force of the pin on the lever at A .

SOLUTION

Free-Body Diagrams. As shown in Fig. 5–22b, the short link BD is a *two-force member*, so the *resultant forces* at pins D and B must be equal, opposite, and collinear. Although the magnitude of the force is unknown, the line of action is known since it passes through B and D .

Lever ABC is a *three-force member*, and therefore, in order to satisfy moment equilibrium, the three nonparallel forces acting on it must be concurrent at O , Fig. 5–22c. In particular, note that the force \mathbf{F} on the lever at B is equal but opposite to the force \mathbf{F} acting at B on the link. Why? The distance CO must be 0.5 m since the lines of action of \mathbf{F} and the 400 -N force are known.

Equations of Equilibrium. By requiring the force system to be concurrent at O , since $\Sigma M_O = 0$, the angle θ which defines the line of action of \mathbf{F}_A can be determined from trigonometry,

$$\theta = \tan^{-1}\left(\frac{0.7}{0.4}\right) = 60.3^\circ$$

Using the x, y axes and applying the force equilibrium equations,

$$\rightarrow \Sigma F_x = 0; \quad F_A \cos 60.3^\circ - F \cos 45^\circ + 400 \text{ N} = 0$$

$$+\uparrow \Sigma F_y = 0; \quad F_A \sin 60.3^\circ - F \sin 45^\circ = 0$$

Solving, we get

$$F_A = 1.07 \text{ kN}$$

$$F = 1.32 \text{ kN}$$

Ans.

NOTE: We can also solve this problem by representing the force at A by its two components \mathbf{A}_x and \mathbf{A}_y and applying $\Sigma M_A = 0$, $\Sigma F_x = 0$, $\Sigma F_y = 0$ to the lever. Once A_x and A_y are determined, we can get F_A and θ .

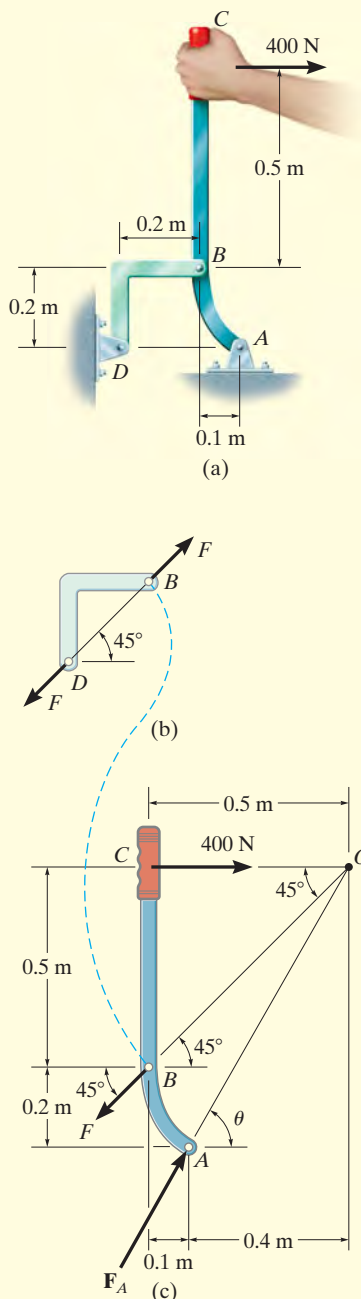
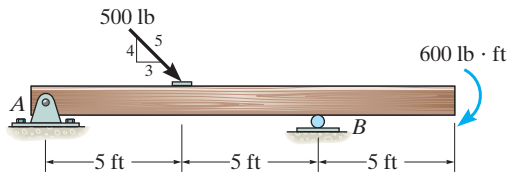


Fig. 5–22

FUNDAMENTAL PROBLEMS

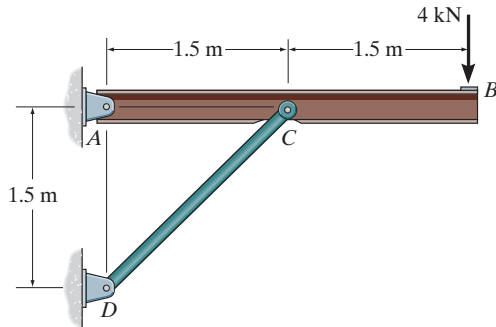
All problem solutions must include an FBD.

F5-1. Determine the horizontal and vertical components of reaction at the supports. Neglect the thickness of the beam.



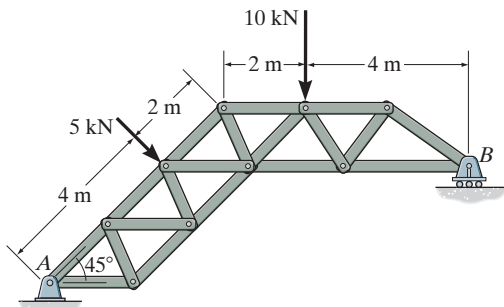
F5-1

F5-2. Determine the horizontal and vertical components of reaction at the pin A and the reaction on the beam at C .



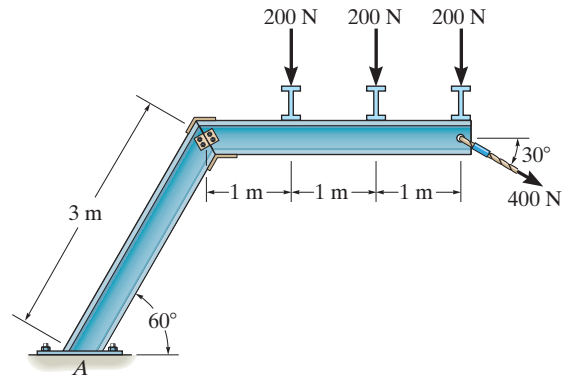
F5-22

F5-3. The truss is supported by a pin at A and a roller at B . Determine the support reactions.



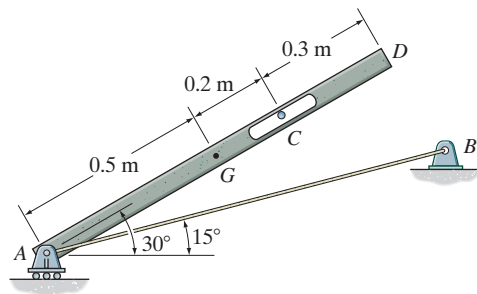
F5-3

F5-4. Determine the components of reaction at the fixed support A . Neglect the thickness of the beam.



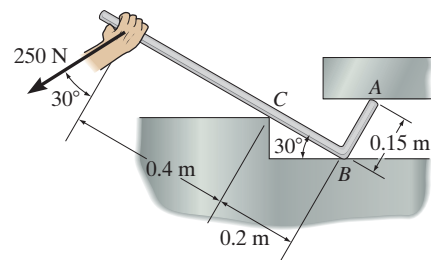
F5-4

F5-5. The 25-kg bar has a center of mass at G . If it is supported by a smooth peg at C , a roller at A , and cord AB , determine the reactions at these supports.



F5-5

F5-6. Determine the reactions at the smooth contact points A , B , and C on the bar.



F5-6

PROBLEMS

All problem solutions must include an FBD.

5-11. Determine the normal reactions at A and B in Prob. 5-1.

***5-12.** Determine the tension in the cord and the horizontal and vertical components of reaction at support A of the beam in Prob. 5-4.

•5-13. Determine the horizontal and vertical components of reaction at C and the tension in the cable AB for the truss in Prob. 5-5.

5-14. Determine the horizontal and vertical components of reaction at A and the tension in cable BC on the boom in Prob. 5-6.

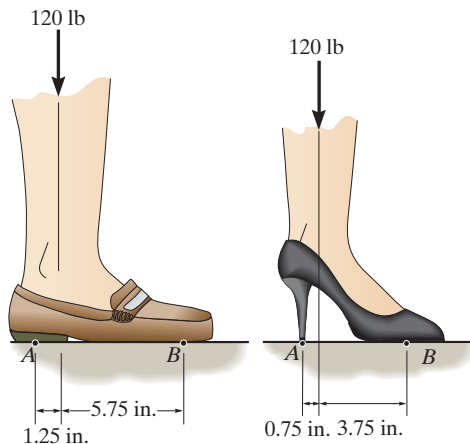
5-15. Determine the horizontal and vertical components of reaction at A and the normal reaction at B on the spanner wrench in Prob. 5-7.

***5-16.** Determine the normal reactions at A and B and the force in link CD acting on the member in Prob. 5-8.

•5-17. Determine the normal reactions at the points of contact at A , B , and C of the bar in Prob. 5-9.

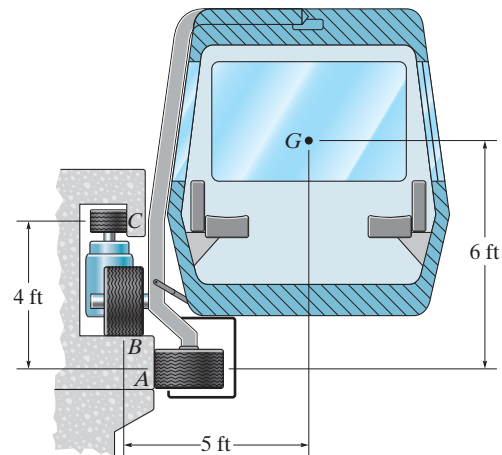
5-18. Determine the horizontal and vertical components of reaction at pin C and the force in the pawl of the winch in Prob. 5-10.

5-19. Compare the force exerted on the toe and heel of a 120-lb woman when she is wearing regular shoes and stiletto heels. Assume all her weight is placed on one foot and the reactions occur at points A and B as shown.



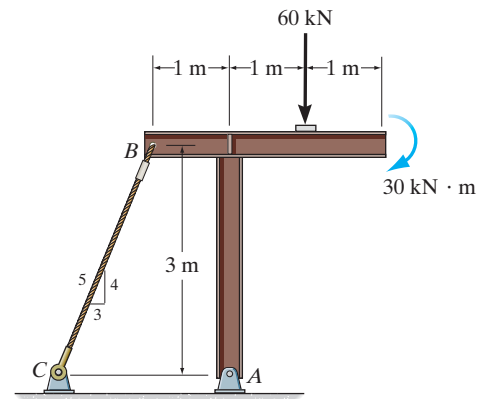
Prob. 5-19

***5-20.** The train car has a weight of 24 000 lb and a center of gravity at G . It is suspended from its front and rear on the track by six tires located at A , B , and C . Determine the normal reactions on these tires if the track is assumed to be a smooth surface and an equal portion of the load is supported at both the front and rear tires.



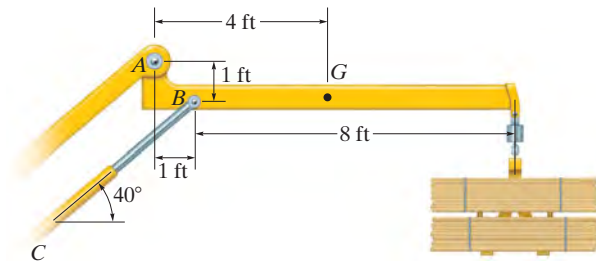
Prob. 5-20

•5-21. Determine the horizontal and vertical components of reaction at the pin A and the tension developed in cable BC used to support the steel frame.



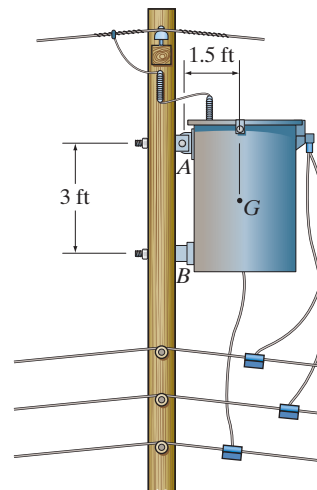
Prob. 5-21

5-22. The articulated crane boom has a weight of 125 lb and center of gravity at G . If it supports a load of 600 lb, determine the force acting at the pin A and the force in the hydraulic cylinder BC when the boom is in the position shown.



Prob. 5-22

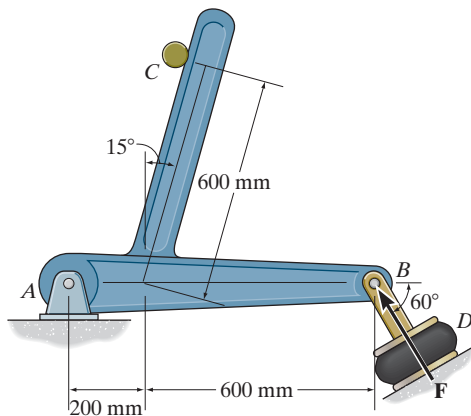
5-25. The 300-lb electrical transformer with center of gravity at G is supported by a pin at A and a smooth pad at B . Determine the horizontal and vertical components of reaction at the pin A and the reaction of the pad B on the transformer.



Prob. 5-25

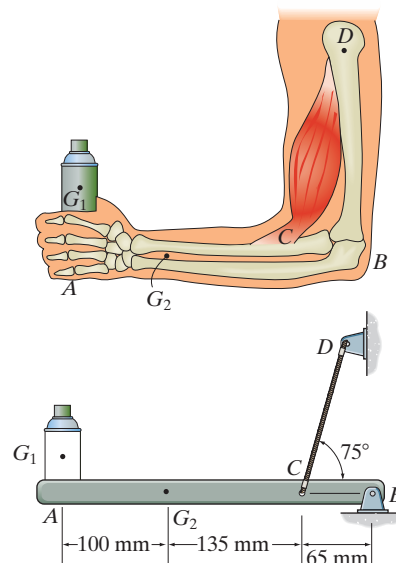
5-23. The airstroke actuator at D is used to apply a force of $F = 200$ N on the member at B . Determine the horizontal and vertical components of reaction at the pin A and the force of the smooth shaft at C on the member.

***5-24.** The airstroke actuator at D is used to apply a force of \mathbf{F} on the member at B . The normal reaction of the smooth shaft at C on the member is 300 N. Determine the magnitude of \mathbf{F} and the horizontal and vertical components of reaction at pin A .



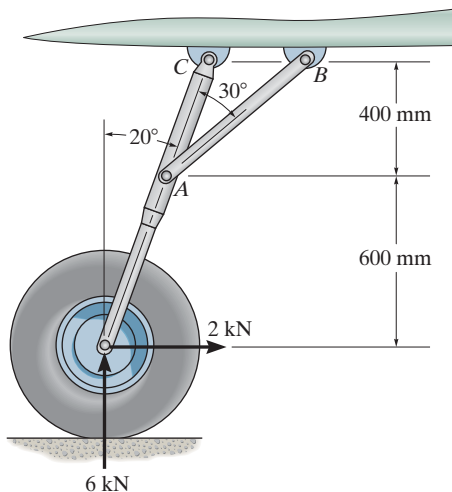
Probs. 5-23/24

5-26. A skeletal diagram of a hand holding a load is shown in the upper figure. If the load and the forearm have masses of 2 kg and 1.2 kg, respectively, and their centers of mass are located at G_1 and G_2 , determine the force developed in the biceps CD and the horizontal and vertical components of reaction at the elbow joint B . The forearm supporting system can be modeled as the structural system shown in the lower figure.



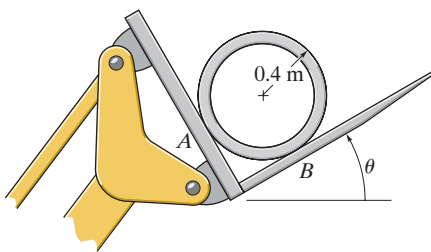
Prob. 5-26

5-27. As an airplane's brakes are applied, the nose wheel exerts two forces on the end of the landing gear as shown. Determine the horizontal and vertical components of reaction at the pin C and the force in strut AB .



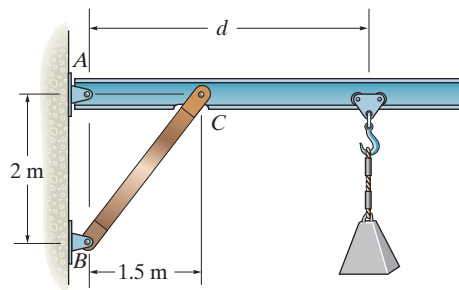
Prob. 5-27

***5-28.** The 1.4-Mg drainpipe is held in the tines of the fork lift. Determine the normal forces at A and B as functions of the blade angle θ and plot the results of force (vertical axis) versus θ (horizontal axis) for $0 \leq \theta \leq 90^\circ$.



Prob. 5-28

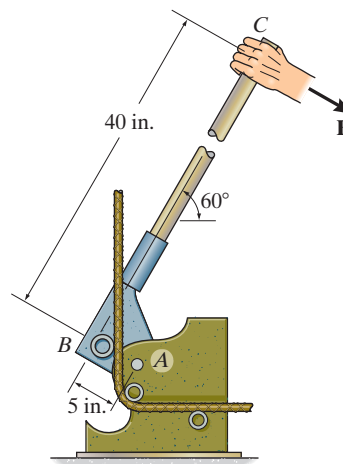
•5-29. The mass of 700 kg is suspended from a trolley which moves along the crane rail from $d = 1.7$ m to $d = 3.5$ m. Determine the force along the pin-connected knee strut BC (short link) and the magnitude of force at pin A as a function of position d . Plot these results of F_{BC} and F_A (vertical axis) versus d (horizontal axis).



Prob. 5-29

5-30. If the force of $F = 100$ lb is applied to the handle of the bar bender, determine the horizontal and vertical components of reaction at pin A and the reaction of the roller B on the smooth bar.

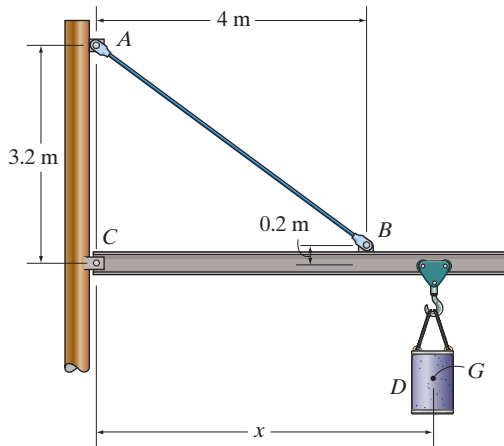
5-31. If the force of the smooth roller at B on the bar bender is required to be 1.5 kip, determine the horizontal and vertical components of reaction at pin A and the required magnitude of force F applied to the handle.



Probs. 5-30/31

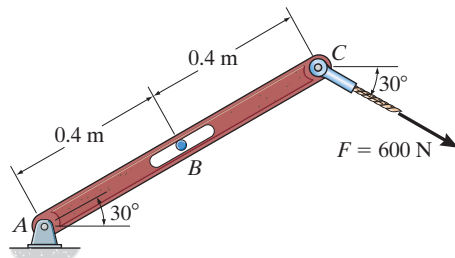
***5-32.** The jib crane is supported by a pin at C and rod AB . If the load has a mass of 2 Mg with its center of mass located at G , determine the horizontal and vertical components of reaction at the pin C and the force developed in rod AB on the crane when $x = 5\text{ m}$.

•5-33. The jib crane is supported by a pin at C and rod AB . The rod can withstand a maximum tension of 40 kN . If the load has a mass of 2 Mg , with its center of mass located at G , determine its maximum allowable distance x and the corresponding horizontal and vertical components of reaction at C .



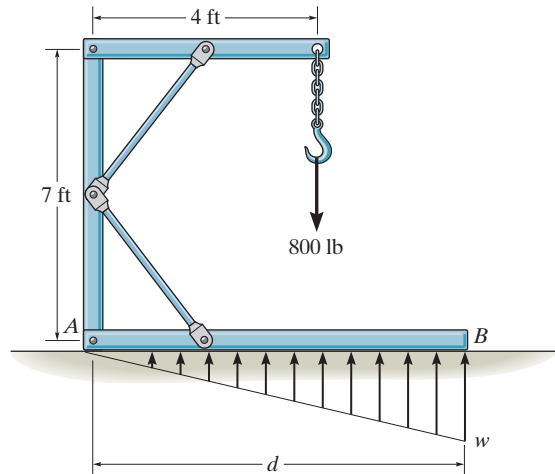
Probs. 5-32/33

5-34. Determine the horizontal and vertical components of reaction at the pin A and the normal force at the smooth peg B on the member.



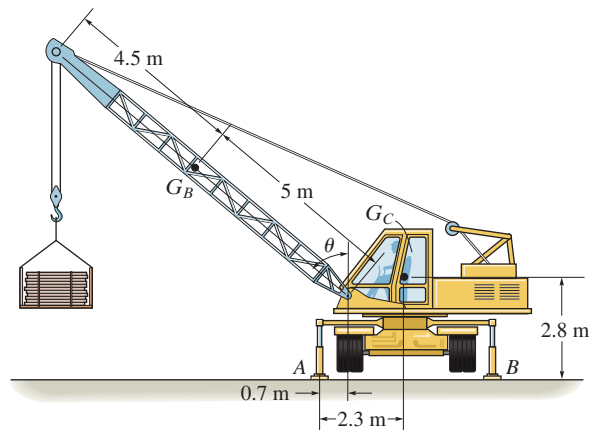
Prob. 5-34

5-35. The framework is supported by the member AB which rests on the smooth floor. When loaded, the pressure distribution on AB is linear as shown. Determine the length d of member AB and the intensity w for this case.



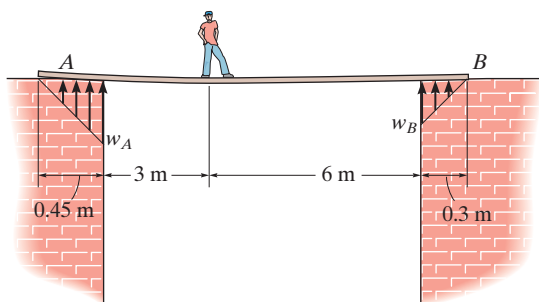
Prob. 5-35

***5-36.** Outriggers A and B are used to stabilize the crane when lifting large loads. If the load to be lifted is 3 Mg , determine the *maximum* boom angle θ so that the crane does not overturn. The crane has a mass of 5 Mg and center of mass at G_C , whereas the boom has a mass of 0.6 Mg and center of mass at G_B .



Prob. 5-36

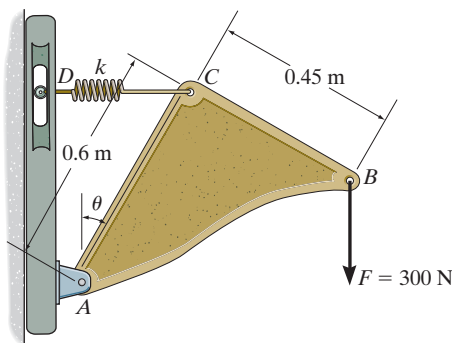
•5-37. The wooden plank resting between the buildings deflects slightly when it supports the 50-kg boy. This deflection causes a triangular distribution of load at its ends, having maximum intensities of w_A and w_B . Determine w_A and w_B , each measured in N/m, when the boy is standing 3 m from one end as shown. Neglect the mass of the plank.



Prob. 5-37

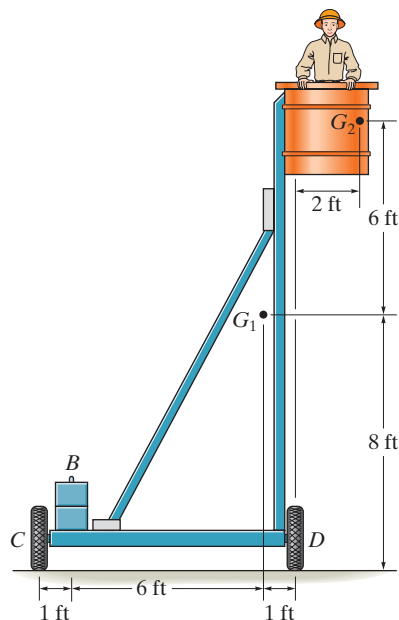
5-38. Spring CD remains in the horizontal position at all times due to the roller at D . If the spring is unstretched when $\theta = 0^\circ$ and the bracket achieves its equilibrium position when $\theta = 30^\circ$, determine the stiffness k of the spring and the horizontal and vertical components of reaction at pin A .

5-39. Spring CD remains in the horizontal position at all times due to the roller at D . If the spring is unstretched when $\theta = 0^\circ$ and the stiffness is $k = 1.5$ kN/m, determine the smallest angle θ for equilibrium and the horizontal and vertical components of reaction at pin A .



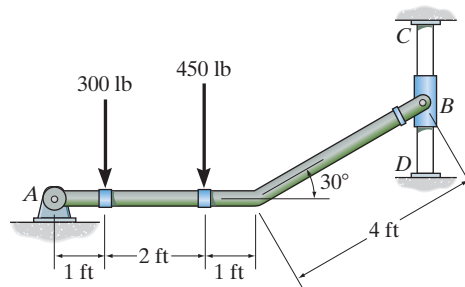
Probs. 5-38/39

*5-40. The platform assembly has a weight of 250 lb and center of gravity at G_1 . If it is intended to support a maximum load of 400 lb placed at point G_2 , determine the smallest counterweight W that should be placed at B in order to prevent the platform from tipping over.



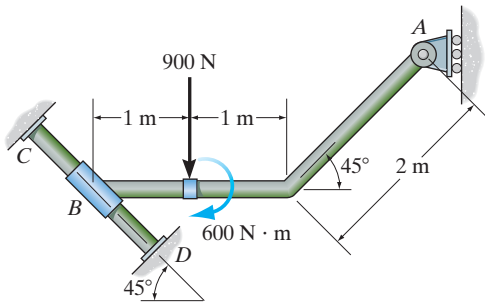
Prob. 5-40

•5-41. Determine the horizontal and vertical components of reaction at the pin A and the reaction of the smooth collar B on the rod.



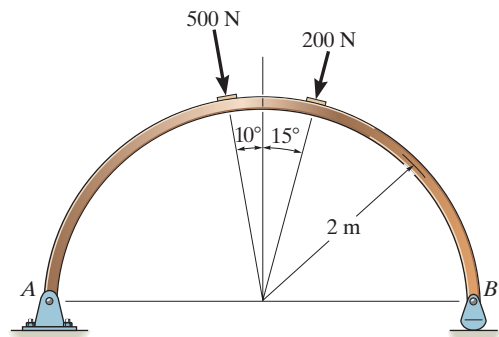
Prob. 5-41

5-42. Determine the support reactions of roller A and the smooth collar B on the rod. The collar is fixed to the rod AB , but is allowed to slide along rod CD .



Prob. 5-42

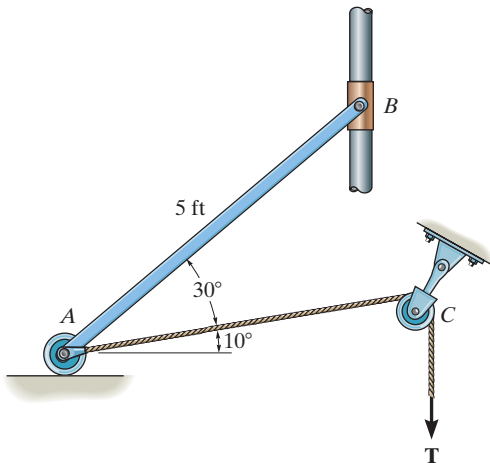
***5-44.** Determine the horizontal and vertical components of force at the pin A and the reaction at the rocker B of the curved beam.



Prob. 5-44

5

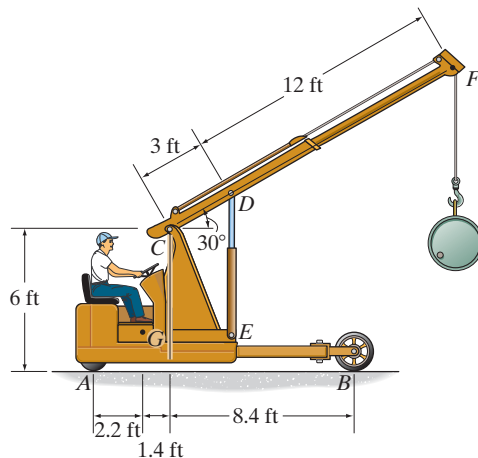
5-43. The uniform rod AB has a weight of 15 lb. Determine the force in the cable when the rod is in the position shown.



Prob. 5-43

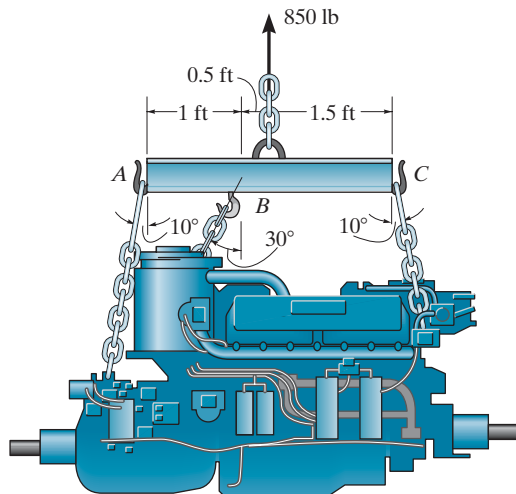
•5-45. The floor crane and the driver have a total weight of 2500 lb with a center of gravity at G . If the crane is required to lift the 500-lb drum, determine the normal reaction on *both* the wheels at A and *both* the wheels at B when the boom is in the position shown.

5-46. The floor crane and the driver have a total weight of 2500 lb with a center of gravity at G . Determine the largest weight of the drum that can be lifted without causing the crane to overturn when its boom is in the position shown.



Probs. 5-45/46

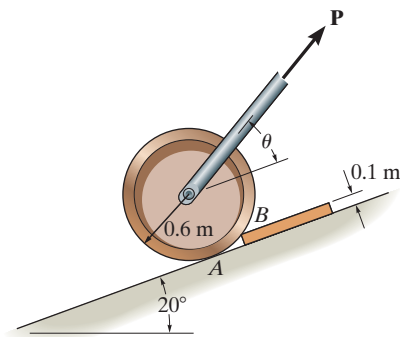
5-47. The motor has a weight of 850 lb. Determine the force that each of the chains exerts on the supporting hooks at A , B , and C . Neglect the size of the hooks and the thickness of the beam.



Prob. 5-47

***5-48.** Determine the force P needed to pull the 50-kg roller over the smooth step. Take $\theta = 60^\circ$.

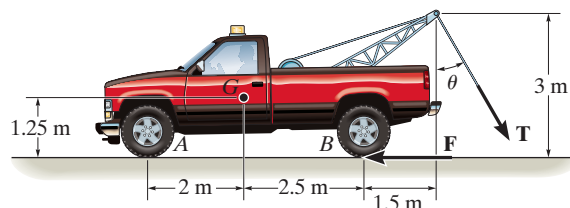
•5-49. Determine the magnitude and direction θ of the minimum force P needed to pull the 50-kg roller over the smooth step.



Probs. 5-48/49

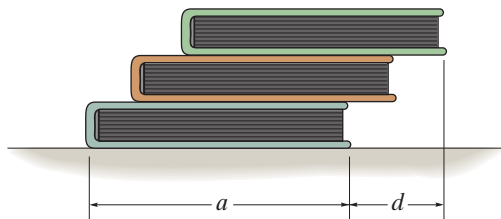
5-50. The winch cable on a tow truck is subjected to a force of $T = 6$ kN when the cable is directed at $\theta = 60^\circ$. Determine the magnitudes of the total brake frictional force F for the rear set of wheels B and the total normal forces at both front wheels A and both rear wheels B for equilibrium. The truck has a total mass of 4 Mg and mass center at G .

5-51. Determine the minimum cable force T and critical angle θ which will cause the tow truck to start tipping, i.e., for the normal reaction at A to be zero. Assume that the truck is braked and will not slip at B . The truck has a total mass of 4 Mg and mass center at G .



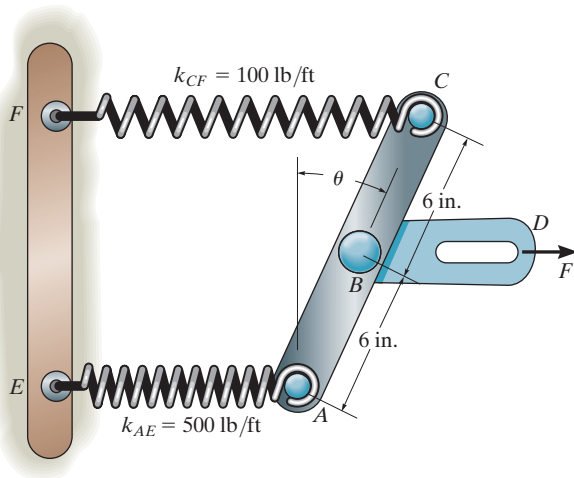
Probs. 5-50/51

***5-52.** Three uniform books, each having a weight W and length a , are stacked as shown. Determine the maximum distance d that the top book can extend out from the bottom one so the stack does not topple over.



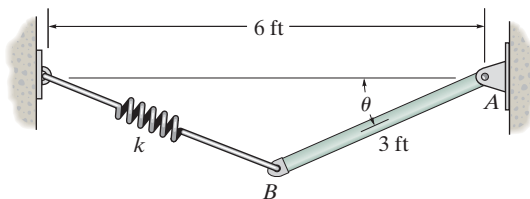
Prob. 5-52

•5-53. Determine the angle θ at which the link ABC is held in equilibrium if member BD moves 2 in. to the right. The springs are originally unstretched when $\theta = 0^\circ$. Each spring has the stiffness shown. The springs remain horizontal since they are attached to roller guides.



Prob. 5-53

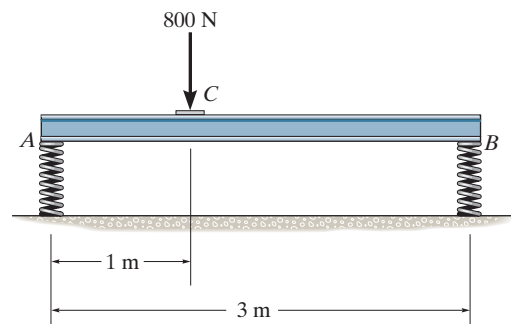
5-54. The uniform rod AB has a weight of 15 lb and the spring is unstretched when $\theta = 0^\circ$. If $\theta = 30^\circ$, determine the stiffness k of the spring.



Prob. 5-54

5-55. The horizontal beam is supported by springs at its ends. Each spring has a stiffness of $k = 5 \text{ kN/m}$ and is originally unstretched so that the beam is in the horizontal position. Determine the angle of tilt of the beam if a load of 800 N is applied at point C as shown.

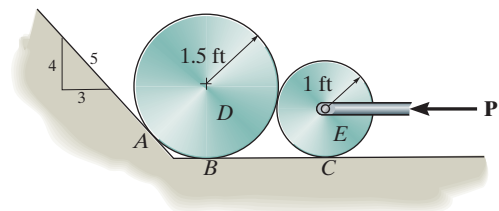
*5-56. The horizontal beam is supported by springs at its ends. If the stiffness of the spring at A is $k_A = 5 \text{ kN/m}$, determine the required stiffness of the spring at B so that if the beam is loaded with the 800 N it remains in the horizontal position. The springs are originally constructed so that the beam is in the horizontal position when it is unloaded.



Probs. 5-55/56

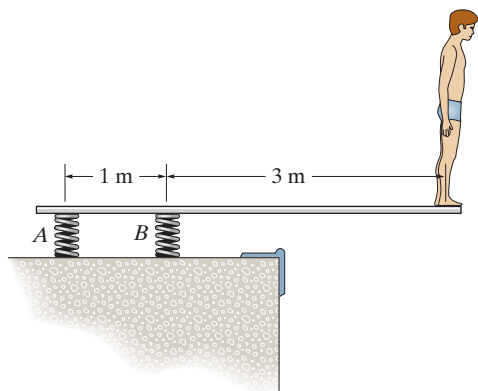
•5-57. The smooth disks D and E have a weight of 200 lb and 100 lb, respectively. If a horizontal force of $P = 200 \text{ lb}$ is applied to the center of disk E , determine the normal reactions at the points of contact with the ground at A , B , and C .

5-58. The smooth disks D and E have a weight of 200 lb and 100 lb, respectively. Determine the largest horizontal force P that can be applied to the center of disk E without causing the disk D to move up the incline.



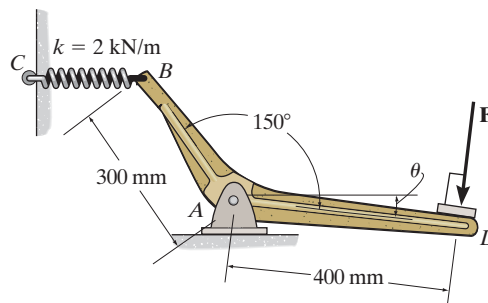
Probs. 5-57/58

5-59. A man stands out at the end of the diving board, which is supported by two springs A and B , each having a stiffness of $k = 15 \text{ kN/m}$. In the position shown the board is horizontal. If the man has a mass of 40 kg , determine the angle of tilt which the board makes with the horizontal after he jumps off. Neglect the weight of the board and assume it is rigid.



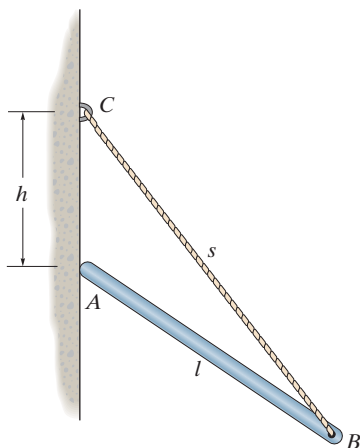
Prob. 5-59

5-61. If spring BC is unstretched with $\theta = 0^\circ$ and the bell crank achieves its equilibrium position when $\theta = 15^\circ$, determine the force \mathbf{F} applied perpendicular to segment AD and the horizontal and vertical components of reaction at pin A . Spring BC remains in the horizontal position at all times due to the roller at C .



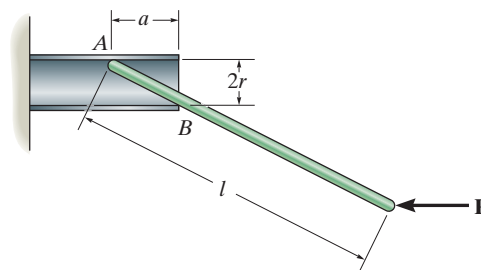
Prob. 5-61

***5-60.** The uniform rod has a length l and weight W . It is supported at one end A by a smooth wall and the other end by a cord of length s which is attached to the wall as shown. Show that for equilibrium it is required that $h = [(s^2 - l^2)/3]^{1/2}$.



Prob. 5-60

5-62. The thin rod of length l is supported by the smooth tube. Determine the distance a needed for equilibrium if the applied load is \mathbf{P} .



Prob. 5-62

CONCEPTUAL PROBLEMS

P5-5. The tie rod is used to support this overhang at the entrance of a building. If it is pin connected to the building wall at A and to the center of the overhang B , determine if the force in the rod will increase, decrease, or remain the same if (a) the support at A is moved to a lower position D , and (b) the support at B is moved to the outer position C . Explain your answer with an equilibrium analysis, using dimensions and loads. Assume the overhang is pin supported from the building wall.



P5-5

P5-6. The man attempts to pull the four wheeler up the incline and onto the truck bed. From the position shown, is it more effective to keep the rope attached at A , or would it be better to attach it to the axle of the front wheels at B ? Draw a free-body diagram and do an equilibrium analysis to explain your answer.



P5-6

P5-7. Like all aircraft, this jet plane rests on three wheels. Why not use an additional wheel at the tail for better support? (Can you think of any other reason for not including this wheel?) If there was a fourth tail wheel, draw a free-body diagram of the plane from a side (2 D) view, and show why one would not be able to determine all the wheel reactions using the equations of equilibrium.



P5-7

***P5-8.** Where is the best place to arrange most of the logs in the wheelbarrow so that it minimizes the amount of force on the backbone of the person transporting the load? Do an equilibrium analysis to explain your answer.



P5-8

EQUILIBRIUM IN THREE DIMENSIONS

5.5 Free-Body Diagrams

The first step in solving three-dimensional equilibrium problems, as in the case of two dimensions, is to draw a free-body diagram. Before we can do this, however, it is first necessary to discuss the types of reactions that can occur at the supports.

Support Reactions. The reactive forces and couple moments acting at various types of supports and connections, when the members are viewed in three dimensions, are listed in Table 5–2. It is important to recognize the symbols used to represent each of these supports and to understand clearly how the forces and couple moments are developed. As in the two-dimensional case:






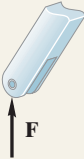

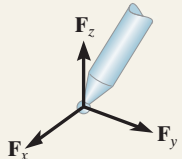

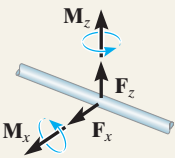
- A force is developed by a support that restricts the translation of its attached member.
- A couple moment is developed when rotation of the attached member is prevented.

For example, in Table 5–2, item (4), the ball-and-socket joint prevents any translation of the connecting member; therefore, a force must act on the member at the point of connection. This force has three components having unknown magnitudes, F_x , F_y , F_z . Provided these components are known, one can obtain the magnitude of force, $F = \sqrt{F_x^2 + F_y^2 + F_z^2}$, and the force's orientation defined by its coordinate direction angles α , β , γ , Eqs. 2–7.* Since the connecting member is allowed to rotate freely about *any* axis, no couple moment is resisted by a ball-and-socket joint.

It should be noted that the *single* bearing supports in items (5) and (7), the *single* pin (8), and the *single* hinge (9) are shown to resist both force and couple-moment components. If, however, these supports are used in conjunction with *other* bearings, pins, or hinges to hold a rigid body in equilibrium and the supports are *properly aligned* when connected to the body, then the *force reactions* at these supports *alone* are adequate for supporting the body. In other words, the couple moments become redundant and are not shown on the free-body diagram. The reason for this should become clear after studying the examples which follow.


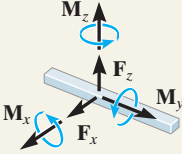

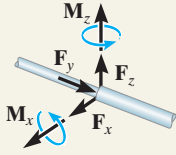

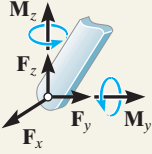
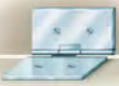
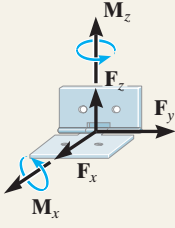

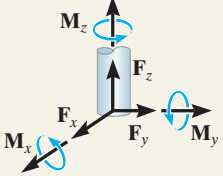
* The three unknowns may also be represented as an unknown force magnitude F and two unknown coordinate direction angles. The third direction angle is obtained using the identity $\cos^2 \alpha + \cos^2 \beta + \cos^2 \gamma = 1$, Eq. 2–8.

TABLE 5-2 Supports for Rigid Bodies Subjected to Three-Dimensional Force Systems

Types of Connection	Reaction	Number of Unknowns
(1)  cable		One unknown. The reaction is a force which acts away from the member in the known direction of the cable.
(2)  smooth surface support		One unknown. The reaction is a force which acts perpendicular to the surface at the point of contact.
(3)  roller		One unknown. The reaction is a force which acts perpendicular to the surface at the point of contact.
(4)  ball and socket		Three unknowns. The reactions are three rectangular force components.
(5)  single journal bearing		Four unknowns. The reactions are two force and two couple-moment components which act perpendicular to the shaft. Note: The couple moments are generally not applied if the body is supported elsewhere. See the examples.

continued

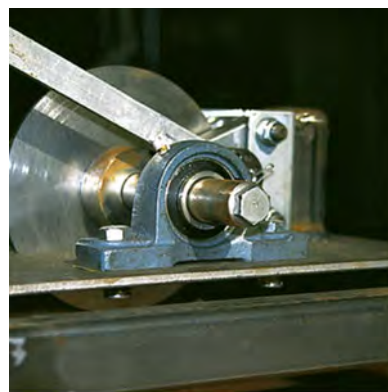
TABLE 5-2 Continued

Types of Connection	Reaction	Number of Unknowns
(6)  single journal bearing with square shaft		Five unknowns. The reactions are two force and three couple-moment components. <i>Note:</i> The couple moments are generally not applied if the body is supported elsewhere. See the examples.
(7)  single thrust bearing		Five unknowns. The reactions are three force and two couple-moment components. <i>Note:</i> The couple moments are generally not applied if the body is supported elsewhere. See the examples.
(8)  single smooth pin		Five unknowns. The reactions are three force and two couple-moment components. <i>Note:</i> The couple moments are generally not applied if the body is supported elsewhere. See the examples.
(9)  single hinge		Five unknowns. The reactions are three force and two couple-moment components. <i>Note:</i> The couple moments are generally not applied if the body is supported elsewhere. See the examples.
(10)  fixed support		Six unknowns. The reactions are three force and three couple-moment components.

Typical examples of actual supports that are referenced to Table 5–2 are shown in the following sequence of photos.



This ball-and-socket joint provides a connection for the housing of an earth grader to its frame. (4)



This journal bearing supports the end of the shaft. (5)



This thrust bearing is used to support the drive shaft on a machine. (7)



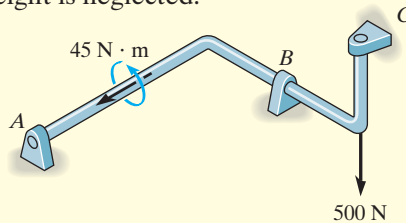
This pin is used to support the end of the strut used on a tractor. (8)

Free-Body Diagrams. The general procedure for establishing the free-body diagram of a rigid body has been outlined in Sec. 5.2. Essentially it requires first “isolating” the body by drawing its outlined shape. This is followed by a careful *labeling* of *all* the forces and couple moments with reference to an established x, y, z coordinate system. It is suggested to show the unknown components of reaction as acting on the free-body diagram in the *positive sense*. In this way, if any negative values are obtained, they will indicate that the components act in the negative coordinate directions.

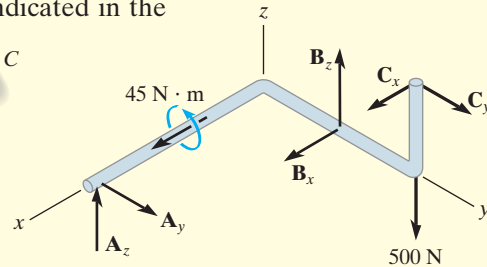
EXAMPLE 5.14

Consider the two rods and plate, along with their associated free-body diagrams shown in Fig. 5–23. The x , y , z axes are established on the diagram and the unknown reaction components are indicated in the *positive sense*. The weight is neglected.

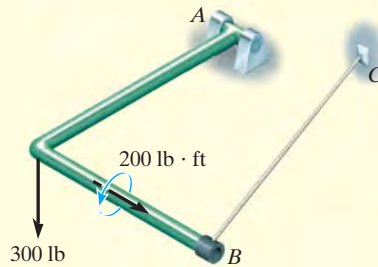
SOLUTION



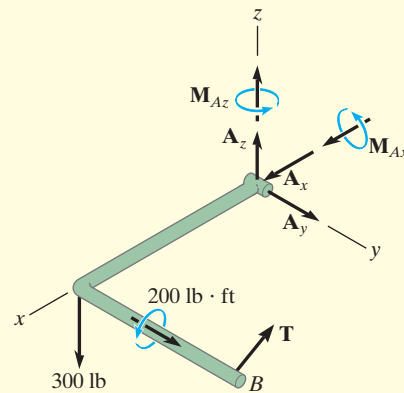
Properly aligned journal bearings at A , B , C .



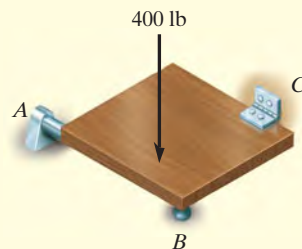
The force reactions developed by the bearings are sufficient for equilibrium since they prevent the shaft from rotating about each of the coordinate axes.



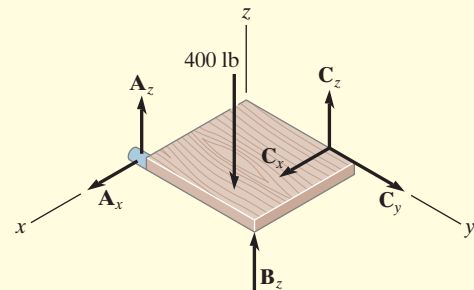
Pin at A and cable BC .



Moment components are developed by the pin on the rod to prevent rotation about the x and z axes.



Properly aligned journal bearing at A and hinge at C . Roller at B .



Only force reactions are developed by the bearing and hinge on the plate to prevent rotation about each coordinate axis. No moments at the hinge are developed.

Fig. 5–23

5.6 Equations of Equilibrium

As stated in Sec. 5.1, the conditions for equilibrium of a rigid body subjected to a three-dimensional force system require that both the *resultant* force and *resultant* couple moment acting on the body be equal to *zero*.

Vector Equations of Equilibrium. The two conditions for equilibrium of a rigid body may be expressed mathematically in vector form as

$$\begin{aligned}\Sigma \mathbf{F} &= \mathbf{0} \\ \Sigma \mathbf{M}_O &= \mathbf{0}\end{aligned}\quad (5-5)$$

where $\Sigma \mathbf{F}$ is the vector sum of all the external forces acting on the body and $\Sigma \mathbf{M}_O$ is the sum of the couple moments and the moments of all the forces about any point O located either on or off the body.

Scalar Equations of Equilibrium. If all the external forces and couple moments are expressed in Cartesian vector form and substituted into Eqs. 5-5, we have

$$\begin{aligned}\Sigma \mathbf{F} &= \Sigma F_x \mathbf{i} + \Sigma F_y \mathbf{j} + \Sigma F_z \mathbf{k} = \mathbf{0} \\ \Sigma \mathbf{M}_O &= \Sigma M_x \mathbf{i} + \Sigma M_y \mathbf{j} + \Sigma M_z \mathbf{k} = \mathbf{0}\end{aligned}$$

Since the \mathbf{i} , \mathbf{j} , and \mathbf{k} components are independent from one another, the above equations are satisfied provided

$$\begin{aligned}\Sigma F_x &= 0 \\ \Sigma F_y &= 0 \\ \Sigma F_z &= 0\end{aligned}\quad (5-6a)$$

and

$$\begin{aligned}\Sigma M_x &= 0 \\ \Sigma M_y &= 0 \\ \Sigma M_z &= 0\end{aligned}\quad (5-6b)$$

These *six scalar equilibrium equations* may be used to solve for at most six unknowns shown on the free-body diagram. Equations 5-6a require the sum of the external force components acting in the x , y , and z directions to be zero, and Eqs. 5-6b require the sum of the moment components about the x , y , and z axes to be zero.

5.7 Constraints and Statical Determinacy

To ensure the equilibrium of a rigid body, it is not only necessary to satisfy the equations of equilibrium, but the body must also be properly held or constrained by its supports. Some bodies may have more supports than are necessary for equilibrium, whereas others may not have enough or the supports may be arranged in a particular manner that could cause the body to move. Each of these cases will now be discussed.

Redundant Constraints. When a body has redundant supports, that is, more supports than are necessary to hold it in equilibrium, it becomes statically indeterminate. *Statically indeterminate* means that there will be more unknown loadings on the body than equations of equilibrium available for their solution. For example, the beam in Fig. 5–24a and the pipe assembly in Fig. 5–24b, shown together with their free-body diagrams, are both statically indeterminate because of additional (or redundant) support reactions. For the beam there are five unknowns, M_A , A_x , A_y , B_y , and C_y , for which only three equilibrium equations can be written ($\Sigma F_x = 0$, $\Sigma F_y = 0$, and $\Sigma M_O = 0$, Eqs. 5–2). The pipe assembly has eight unknowns, for which only six equilibrium equations can be written, Eqs. 5–6.

The additional equations needed to solve statically indeterminate problems of the type shown in Fig. 5–24 are generally obtained from the deformation conditions at the points of support. These equations involve the physical properties of the body which are studied in subjects dealing with the mechanics of deformation, such as “mechanics of materials.”*

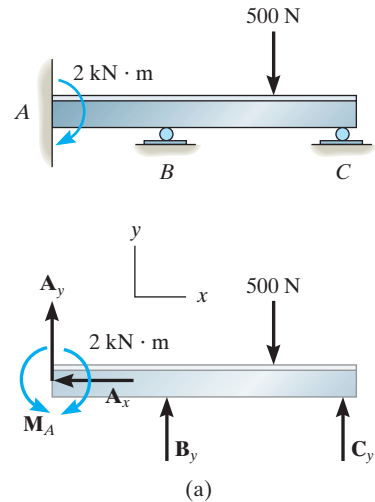
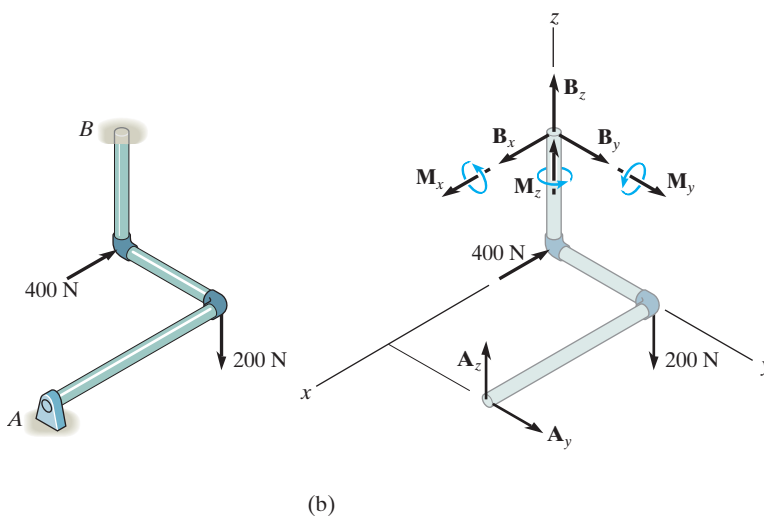


Fig. 5–24



* See R. C. Hibbeler, *Mechanics of Materials*, 7th edition, Pearson Education/Prentice Hall, Inc.

Improper Constraints. Having the same number of unknown reactive forces as available equations of equilibrium does not always guarantee that a body will be stable when subjected to a particular loading. For example, the pin support at A and the roller support at B for the beam in Fig. 5–25a are placed in such a way that the lines of action of the reactive forces are *concurrent* at point A . Consequently, the applied loading \mathbf{P} will cause the beam to rotate slightly about A , and so the beam is improperly constrained, $\Sigma M_A \neq 0$.

In three dimensions, a body will be improperly constrained if the lines of action of all the reactive forces intersect a common axis. For example, the reactive forces at the ball-and-socket supports at A and B in Fig. 5–25b all intersect the axis passing through A and B . Since the moments of these forces about A and B are all zero, then the loading \mathbf{P} will rotate the member about the AB axis, $\Sigma M_{AB} \neq 0$.

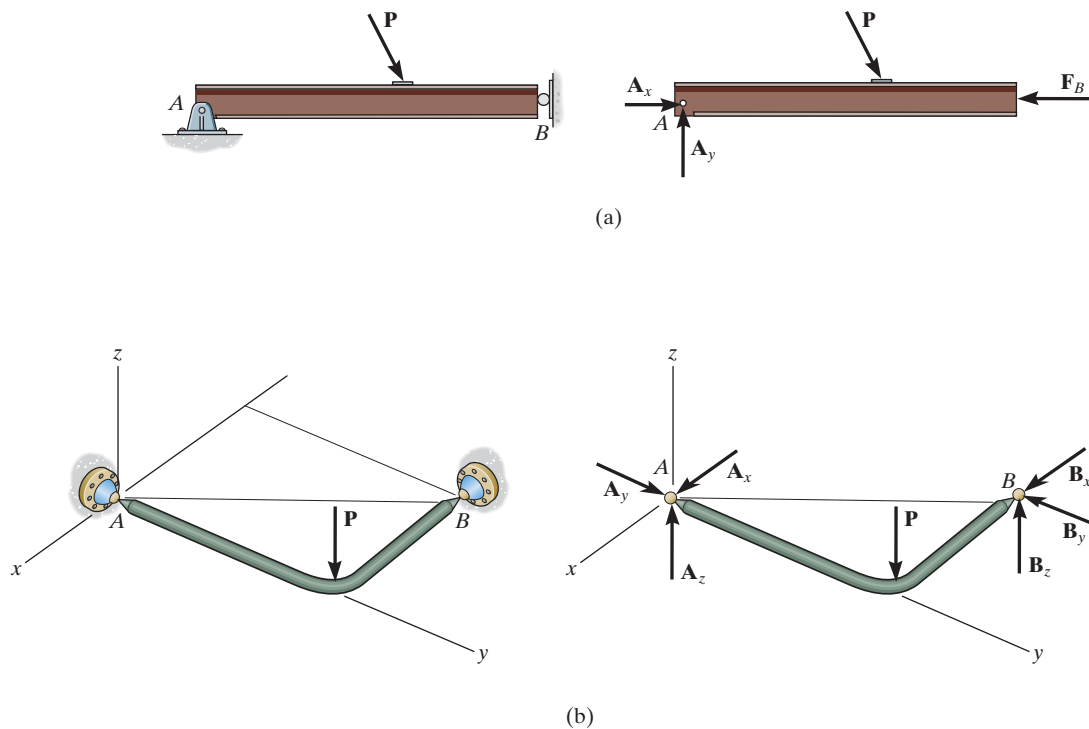


Fig. 5–25

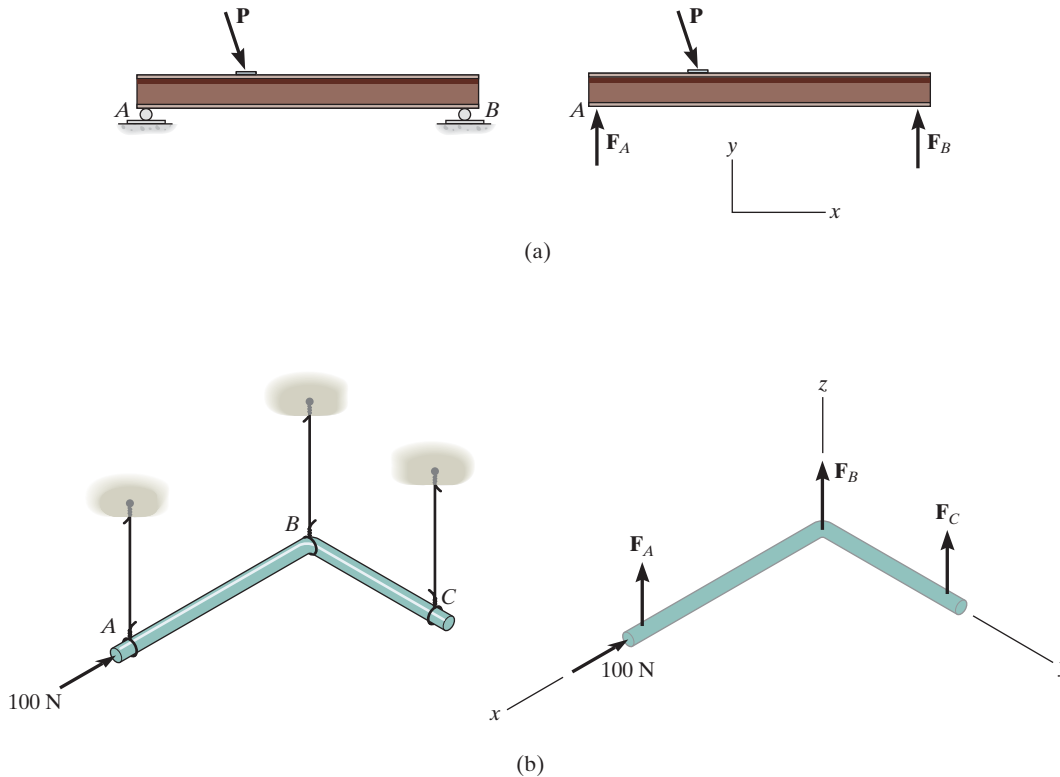


Fig. 5-26

Another way in which improper constraining leads to instability occurs when the *reactive forces* are all *parallel*. Two- and three-dimensional examples of this are shown in Fig. 5-26. In both cases, the summation of forces along the x axis will not equal zero.

In some cases, a body may have *fewer* reactive forces than equations of equilibrium that must be satisfied. The body then becomes only *partially constrained*. For example, consider member AB in Fig. 5-27a with its corresponding free-body diagram in Fig. 5-27b. Here $\sum F_y = 0$ will not be satisfied for the loading conditions and therefore equilibrium will not be maintained.

To summarize these points, a body is considered *improperly constrained* if all the reactive forces intersect at a common point or pass through a common axis, or if all the reactive forces are parallel. In engineering practice, these situations should be avoided at all times since they will cause an unstable condition.

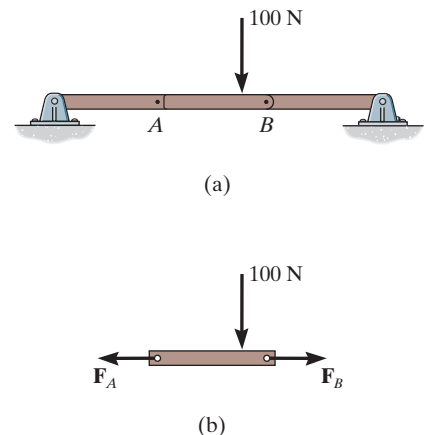


Fig. 5-27

Important Points

- Always draw the free-body diagram first when solving any equilibrium problem.
- If a support *prevents translation* of a body in a specific direction, then the support exerts a *force* on the body in that direction.
- If a support *prevents rotation about an axis*, then the support exerts a *couple moment* on the body about the axis.
- If a body is subjected to more unknown reactions than available equations of equilibrium, then the problem is *statically indeterminate*.
- A stable body requires that the lines of action of the reactive forces do not intersect a common axis and are not parallel to one another.

Procedure for Analysis

Three-dimensional equilibrium problems for a rigid body can be solved using the following procedure.

Free-Body Diagram.

- Draw an outlined shape of the body.
- Show all the forces and couple moments acting on the body.
- Establish the origin of the x , y , z axes at a convenient point and orient the axes so that they are parallel to as many of the external forces and moments as possible.
- Label all the loadings and specify their directions. In general, show all the *unknown* components having a *positive sense* along the x , y , z axes.
- Indicate the dimensions of the body necessary for computing the moments of forces.

Equations of Equilibrium.

- If the x , y , z force and moment components seem easy to determine, then apply the six scalar equations of equilibrium; otherwise use the vector equations.
- It is not necessary that the set of axes chosen for force summation coincide with the set of axes chosen for moment summation. Actually, an axis in any arbitrary direction may be chosen for summing forces and moments.
- Choose the direction of an axis for moment summation such that it intersects the lines of action of as many unknown forces as possible. Realize that the moments of forces passing through points on this axis and the moments of forces which are parallel to the axis will then be zero.
- If the solution of the equilibrium equations yields a negative scalar for a force or couple moment magnitude, it indicates that the sense is opposite to that assumed on the free-body diagram.

EXAMPLE 5.15

The homogeneous plate shown in Fig. 5–28a has a mass of 100 kg and is subjected to a force and couple moment along its edges. If it is supported in the horizontal plane by a roller at A , a ball-and-socket joint at B , and a cord at C , determine the components of reaction at these supports.

SOLUTION (SCALAR ANALYSIS)

Free-Body Diagram. There are five unknown reactions acting on the plate, as shown in Fig. 5–28b. Each of these reactions is assumed to act in a positive coordinate direction.

Equations of Equilibrium. Since the three-dimensional geometry is rather simple, a *scalar analysis* provides a *direct solution* to this problem. A force summation along each axis yields

$$\Sigma F_x = 0; \quad B_x = 0 \quad \text{Ans.}$$

$$\Sigma F_y = 0; \quad B_y = 0 \quad \text{Ans.}$$

$$\Sigma F_z = 0; \quad A_z + B_z + T_C - 300 \text{ N} - 981 \text{ N} = 0 \quad (1)$$

Recall that the moment of a force about an axis is equal to the product of the force magnitude and the perpendicular distance (moment arm) from the line of action of the force to the axis. Also, forces that are parallel to an axis or pass through it create no moment about the axis. Hence, summing moments about the positive x and y axes, we have

$$\Sigma M_x = 0; \quad T_C(2 \text{ m}) - 981 \text{ N}(1 \text{ m}) + B_z(2 \text{ m}) = 0 \quad (2)$$

$$\Sigma M_y = 0;$$

$$300 \text{ N}(1.5 \text{ m}) + 981 \text{ N}(1.5 \text{ m}) - B_z(3 \text{ m}) - A_z(3 \text{ m}) - 200 \text{ N}\cdot\text{m} = 0 \quad (3)$$

The components of the force at B can be eliminated if moments are summed about the x' and y' axes. We obtain

$$\Sigma M_{x'} = 0; \quad 981 \text{ N}(1 \text{ m}) + 300 \text{ N}(2 \text{ m}) - A_z(2 \text{ m}) = 0 \quad (4)$$

$$\Sigma M_{y'} = 0;$$

$$-300 \text{ N}(1.5 \text{ m}) - 981 \text{ N}(1.5 \text{ m}) - 200 \text{ N}\cdot\text{m} + T_C(3 \text{ m}) = 0 \quad (5)$$

Solving Eqs. 1 through 3 or the more convenient Eqs. 1, 4, and 5 yields

$$A_z = 790 \text{ N} \quad B_z = -217 \text{ N} \quad T_C = 707 \text{ N} \quad \text{Ans.}$$

The negative sign indicates that \mathbf{B}_z acts downward.

NOTE: The solution of this problem does not require a summation of moments about the z axis. The plate is partially constrained since the supports cannot prevent it from turning about the z axis if a force is applied to it in the x – y plane.

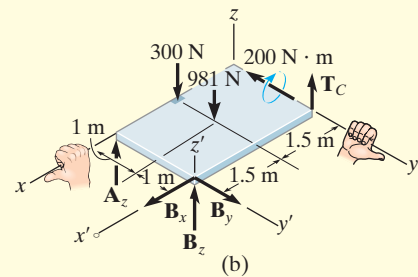
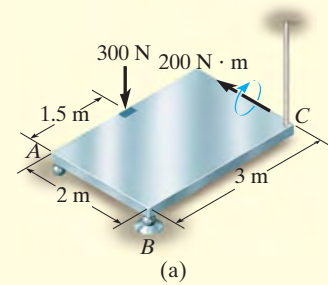


Fig. 5–28

EXAMPLE 5.16

Determine the components of reaction that the ball-and-socket joint at A , the smooth journal bearing at B , and the roller support at C exert on the rod assembly in Fig. 5–29a.

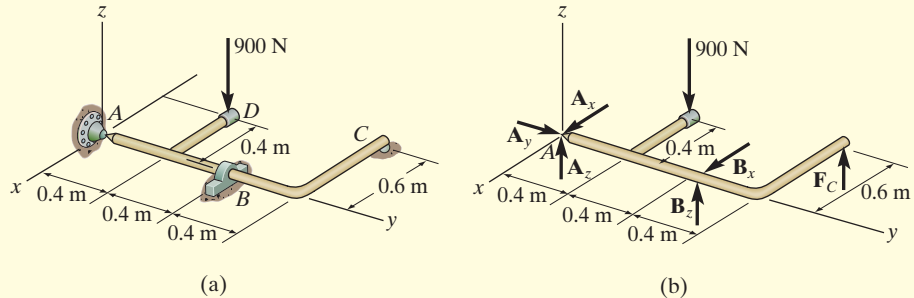


Fig. 5–29

SOLUTION

Free-Body Diagram. As shown on the free-body diagram, Fig. 5–29b, the reactive forces of the supports will prevent the assembly from rotating about each coordinate axis, and so the journal bearing at B only exerts reactive forces on the member.

Equations of Equilibrium. A direct solution for A_y can be obtained by summing forces along the y axis.

$$\Sigma F_y = 0; \quad A_y = 0 \quad \text{Ans.}$$

The force F_C can be determined directly by summing moments about the y axis.

$$\begin{aligned} \Sigma M_y = 0; \quad F_C(0.6 \text{ m}) - 900 \text{ N}(0.4 \text{ m}) &= 0 \\ F_C &= 600 \text{ N} \quad \text{Ans.} \end{aligned}$$

Using this result, B_z can be determined by summing moments about the x axis.

$$\begin{aligned} \Sigma M_x = 0; \quad B_z(0.8 \text{ m}) + 600 \text{ N}(1.2 \text{ m}) - 900 \text{ N}(0.4 \text{ m}) &= 0 \\ B_z &= -450 \text{ N} \quad \text{Ans.} \end{aligned}$$

The negative sign indicates that \mathbf{B}_z acts downward. The force B_x can be found by summing moments about the z axis.

$$\Sigma M_z = 0; \quad -B_x(0.8 \text{ m}) = 0 \quad B_x = 0 \quad \text{Ans.}$$

Thus,

$$\Sigma F_x = 0; \quad A_x + 0 = 0 \quad A_x = 0 \quad \text{Ans.}$$

Finally, using the results of B_z and F_C .

$$\begin{aligned} \Sigma F_z = 0; \quad A_z + (-450 \text{ N}) + 600 \text{ N} - 900 \text{ N} &= 0 \\ A_z &= 750 \text{ N} \quad \text{Ans.} \end{aligned}$$

EXAMPLE 5.17

The boom is used to support the 75-lb flowerpot in Fig. 5–30*a*. Determine the tension developed in wires *AB* and *AC*.

SOLUTION

Free-Body Diagram. The free-body diagram of the boom is shown in Fig. 5–30*b*.

Equations of Equilibrium. We will use a vector analysis.

$$\begin{aligned}\mathbf{F}_{AB} &= F_{AB} \left(\frac{\mathbf{r}_{AB}}{r_{AB}} \right) = F_{AB} \left(\frac{\{2\mathbf{i} - 6\mathbf{j} + 3\mathbf{k}\} \text{ ft}}{2 \sqrt{(2 \text{ ft})^2 + (-6 \text{ ft})^2 + (3 \text{ ft})^2}} \right) \\ &= \frac{2}{7} F_{AB} \mathbf{i} - \frac{6}{7} F_{AB} \mathbf{j} + \frac{3}{7} F_{AB} \mathbf{k}\end{aligned}$$

$$\begin{aligned}\mathbf{F}_{AC} &= F_{AC} \left(\frac{\mathbf{r}_{AC}}{r_{AC}} \right) = F_{AC} \left(\frac{\{-2\mathbf{i} - 6\mathbf{j} + 3\mathbf{k}\} \text{ ft}}{2 \sqrt{(-2 \text{ ft})^2 + (-6 \text{ ft})^2 + (3 \text{ ft})^2}} \right) \\ &= -\frac{2}{7} F_{AC} \mathbf{i} - \frac{6}{7} F_{AC} \mathbf{j} + \frac{3}{7} F_{AC} \mathbf{k}\end{aligned}$$

We can eliminate the force reaction at *O* by writing the moment equation of equilibrium about point *O*.

$$\Sigma \mathbf{M}_O = \mathbf{0}; \quad \mathbf{r}_A \times (\mathbf{F}_{AB} + \mathbf{F}_{AC} + \mathbf{W}) = \mathbf{0}$$

$$(6\mathbf{j}) \times \left[\left(\frac{2}{7} F_{AB} \mathbf{i} - \frac{6}{7} F_{AB} \mathbf{j} + \frac{3}{7} F_{AB} \mathbf{k} \right) + \left(-\frac{2}{7} F_{AC} \mathbf{i} - \frac{6}{7} F_{AC} \mathbf{j} + \frac{3}{7} F_{AC} \mathbf{k} \right) + (-75\mathbf{k}) \right] = \mathbf{0}$$

$$\left(\frac{18}{7} F_{AB} + \frac{18}{7} F_{AC} - 450 \right) \mathbf{i} + \left(-\frac{12}{7} F_{AB} + \frac{12}{7} F_{AC} \right) \mathbf{k} = \mathbf{0}$$

$$\Sigma M_x = 0; \quad \frac{18}{7} F_{AB} + \frac{18}{7} F_{AC} - 450 = 0 \quad (1)$$

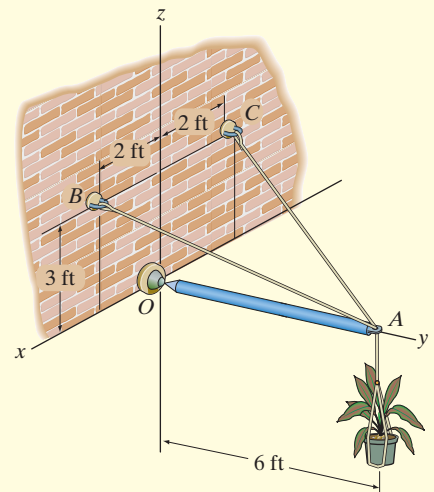
$$\Sigma M_y = 0; \quad 0 = 0 \quad (2)$$

$$\Sigma M_z = 0; \quad -\frac{12}{7} F_{AB} + \frac{12}{7} F_{AC} = 0$$

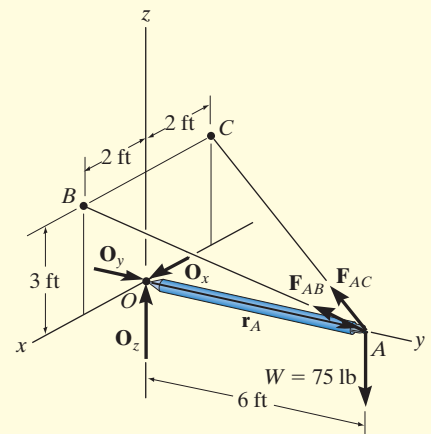
Solving Eqs. (1) and (2) simultaneously,

$$F_{AB} = F_{AC} = 87.5 \text{ lb}$$

Ans.



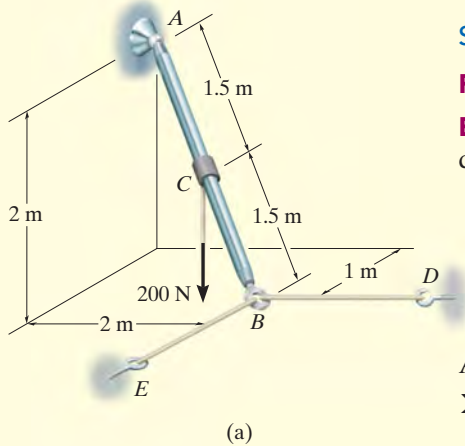
(a)

Fig. 5–30

(b)

EXAMPLE 5.18

Rod AB shown in Fig. 5–31a is subjected to the 200-N force. Determine the reactions at the ball-and-socket joint A and the tension in the cables BD and BE .



SOLUTION (VECTOR ANALYSIS)

Free-Body Diagram. Fig. 5–31b.

Equations of Equilibrium. Representing each force on the free-body diagram in Cartesian vector form, we have

$$\mathbf{F}_A = A_x \mathbf{i} + A_y \mathbf{j} + A_z \mathbf{k}$$

$$\mathbf{T}_E = T_E \mathbf{i}$$

$$\mathbf{T}_D = T_D \mathbf{j}$$

$$\mathbf{F} = \{-200\mathbf{k}\} \text{ N}$$

Applying the force equation of equilibrium.

$$\Sigma \mathbf{F} = \mathbf{0}; \quad \mathbf{F}_A + \mathbf{T}_E + \mathbf{T}_D + \mathbf{F} = \mathbf{0}$$

$$(A_x + T_E)\mathbf{i} + (A_y + T_D)\mathbf{j} + (A_z - 200)\mathbf{k} = \mathbf{0}$$

$$\Sigma F_x = 0; \quad A_x + T_E = 0 \quad (1)$$

$$\Sigma F_y = 0; \quad A_y + T_D = 0 \quad (2)$$

$$\Sigma F_z = 0; \quad A_z - 200 = 0 \quad (3)$$

Summing moments about point A yields

$$\Sigma \mathbf{M}_A = \mathbf{0}; \quad \mathbf{r}_C \times \mathbf{F} + \mathbf{r}_B \times (\mathbf{T}_E + \mathbf{T}_D) = \mathbf{0}$$

Since $\mathbf{r}_C = \frac{1}{2}\mathbf{r}_B$, then

$$(0.5\mathbf{i} + 1\mathbf{j} - 1\mathbf{k}) \times (-200\mathbf{k}) + (1\mathbf{i} + 2\mathbf{j} - 2\mathbf{k}) \times (T_E \mathbf{i} + T_D \mathbf{j}) = \mathbf{0}$$

Expanding and rearranging terms gives

$$(2T_D - 200)\mathbf{i} + (-2T_E + 100)\mathbf{j} + (T_D - 2T_E)\mathbf{k} = \mathbf{0}$$

$$\Sigma M_x = 0; \quad 2T_D - 200 = 0 \quad (4)$$

$$\Sigma M_y = 0; \quad -2T_E + 100 = 0 \quad (5)$$

$$\Sigma M_z = 0; \quad T_D - 2T_E = 0 \quad (6)$$

Solving Eqs. 1 through 5, we get

$$T_D = 100 \text{ N} \quad \text{Ans.}$$

$$T_E = 50 \text{ N} \quad \text{Ans.}$$

$$A_x = -50 \text{ N} \quad \text{Ans.}$$

$$A_y = -100 \text{ N} \quad \text{Ans.}$$

$$A_z = 200 \text{ N} \quad \text{Ans.}$$

NOTE: The negative sign indicates that \mathbf{A}_x and \mathbf{A}_y have a sense which is opposite to that shown on the free-body diagram, Fig. 5–31b.

Fig. 5–31

EXAMPLE 5.19

The bent rod in Fig. 5–32a is supported at A by a journal bearing, at D by a ball-and-socket joint, and at B by means of cable BC . Using only *one equilibrium equation*, obtain a direct solution for the tension in cable BC . The bearing at A is capable of exerting force components only in the z and y directions since it is properly aligned on the shaft.

SOLUTION (VECTOR ANALYSIS)

Free-Body Diagram. As shown in Fig. 5–32b, there are six unknowns.

Equations of Equilibrium. The cable tension \mathbf{T}_B may be obtained *directly* by summing moments about an axis that passes through points D and A . Why? The direction of this axis is defined by the unit vector \mathbf{u} , where

$$\begin{aligned}\mathbf{u} &= \frac{\mathbf{r}_{DA}}{r_{DA}} = -\frac{1}{\sqrt{2}}\mathbf{i} - \frac{1}{\sqrt{2}}\mathbf{j} \\ &= -0.7071\mathbf{i} - 0.7071\mathbf{j}\end{aligned}$$

Hence, the sum of the moments about this axis is zero provided

$$\Sigma M_{DA} = \mathbf{u} \cdot \Sigma(\mathbf{r} \times \mathbf{F}) = 0$$

Here \mathbf{r} represents a position vector drawn from *any point* on the axis DA to any point on the line of action of force \mathbf{F} (see Eq. 4–11). With reference to Fig. 5–32b, we can therefore write

$$\begin{aligned}\mathbf{u} \cdot (\mathbf{r}_B \times \mathbf{T}_B + \mathbf{r}_E \times \mathbf{W}) &= 0 \\ (-0.7071\mathbf{i} - 0.7071\mathbf{j}) \cdot [(-1\mathbf{j}) \times (T_B\mathbf{k}) \\ &\quad + (-0.5\mathbf{j}) \times (-981\mathbf{k})] = 0 \\ (-0.7071\mathbf{i} - 0.7071\mathbf{j}) \cdot [(-T_B + 490.5)\mathbf{i}] &= 0 \\ -0.7071(-T_B + 490.5) + 0 + 0 &= 0 \\ T_B &= 490.5 \text{ N} \quad \text{Ans.}\end{aligned}$$

Since the moment arms from the axis to \mathbf{T}_B and \mathbf{W} are easy to obtain, we can also determine this result using a scalar analysis. As shown in Fig. 5–32b,

$$\begin{aligned}\Sigma M_{DA} = 0; \quad T_B(1 \text{ m} \sin 45^\circ) - 981 \text{ N}(0.5 \text{ m} \sin 45^\circ) &= 0 \\ T_B &= 490.5 \text{ N} \quad \text{Ans.}\end{aligned}$$

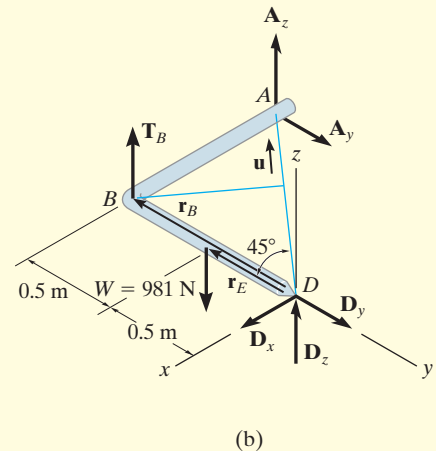
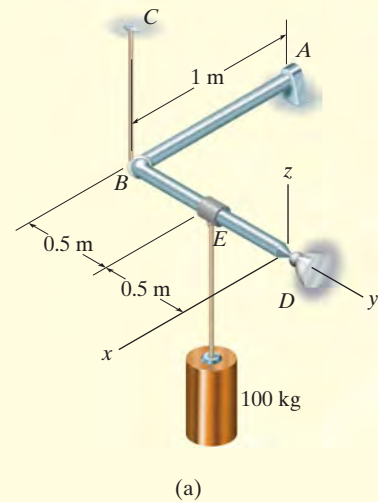
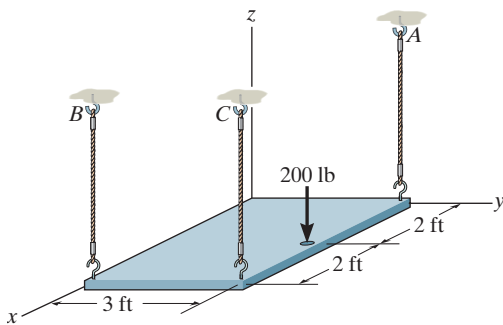


Fig. 5–32

FUNDAMENTAL PROBLEMS

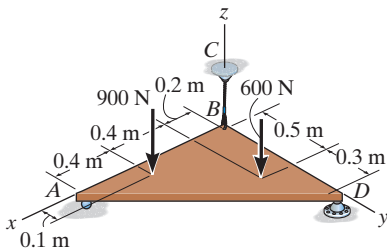
All problem solutions must include an FBD.

F5-7. The uniform plate has a weight of 500 lb. Determine the tension in each of the supporting cables.



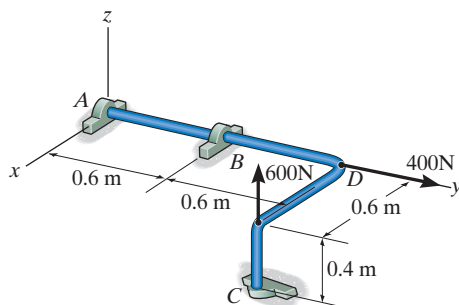
F5-7

F5-8. Determine the reactions at the roller support A , the ball-and-socket joint D , and the tension in cable BC for the plate.



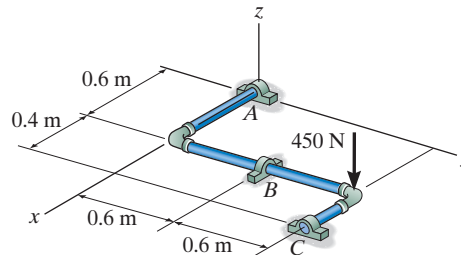
F5-8

F5-9. The rod is supported by smooth journal bearings at A , B and C and is subjected to the two forces. Determine the reactions at these supports.



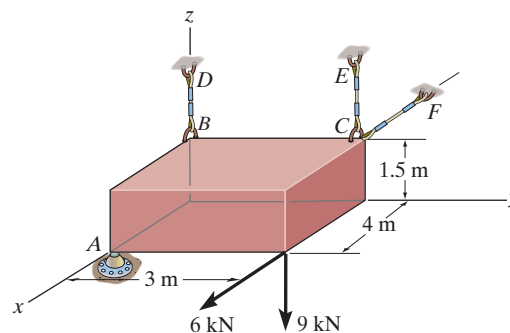
F5-9

F5-10. Determine the support reactions at the smooth journal bearings A , B , and C of the pipe assembly.



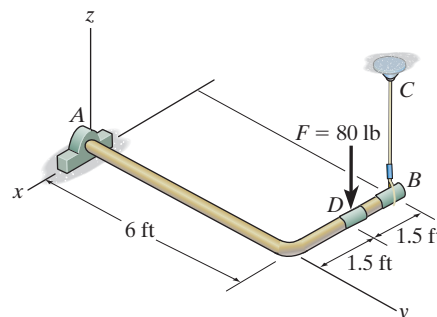
F5-10

F5-11. Determine the force developed in cords BD , CE , and CF and the reactions of the ball-and-socket joint A on the block.



F5-11

F5-12. Determine the components of reaction that the thrust bearing A and cable BC exert on the bar.

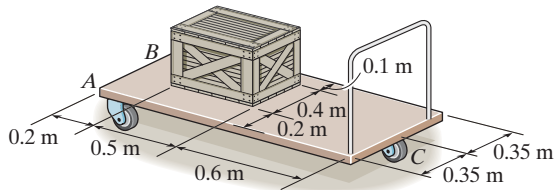


F5-12

PROBLEMS

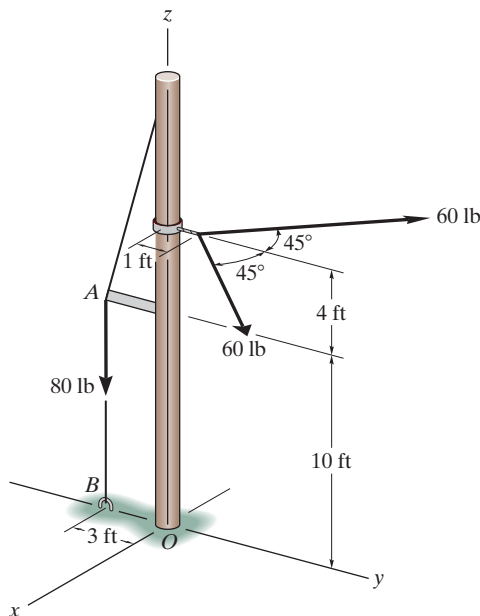
All problem solutions must include an FBD.

5-63. The cart supports the uniform crate having a mass of 85 kg. Determine the vertical reactions on the three casters at A , B , and C . The caster at B is not shown. Neglect the mass of the cart.



Prob. 5-63

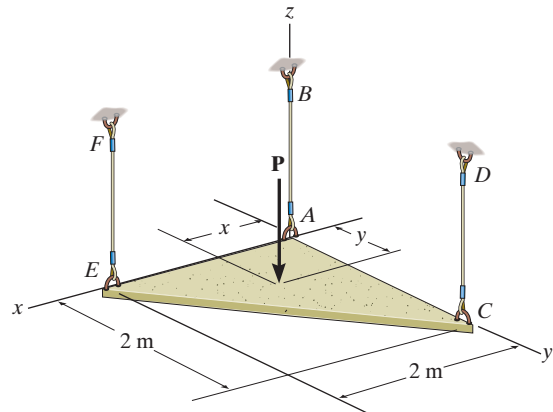
***5-64.** The pole for a power line is subjected to the two cable forces of 60 lb, each force lying in a plane parallel to the x - y plane. If the tension in the guy wire AB is 80 lb, determine the x , y , z components of reaction at the fixed base of the pole, O .



Prob. 5-64

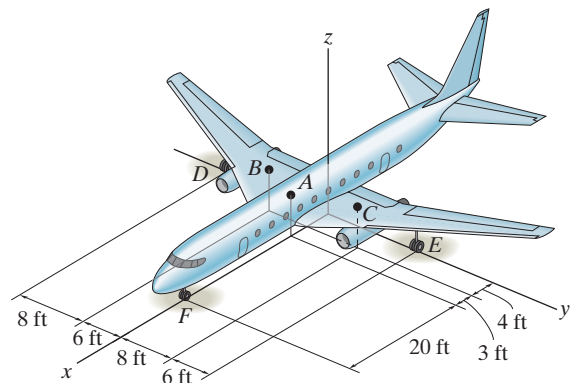
•5-65. If $P = 6$ kN, $x = 0.75$ m and $y = 1$ m, determine the tension developed in cables AB , CD , and EF . Neglect the weight of the plate.

5-66. Determine the location x and y of the point of application of force \mathbf{P} so that the tension developed in cables AB , CD , and EF is the same. Neglect the weight of the plate.



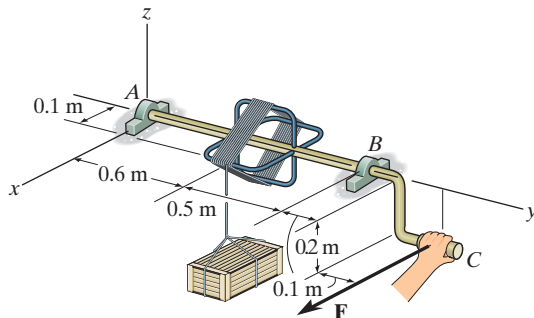
Probs. 5-65/66

5-67. Due to an unequal distribution of fuel in the wing tanks, the centers of gravity for the airplane fuselage A and wings B and C are located as shown. If these components have weights $W_A = 45$ 000 lb, $W_B = 8$ 000 lb, and $W_C = 6$ 000 lb, determine the normal reactions of the wheels D , E , and F on the ground.



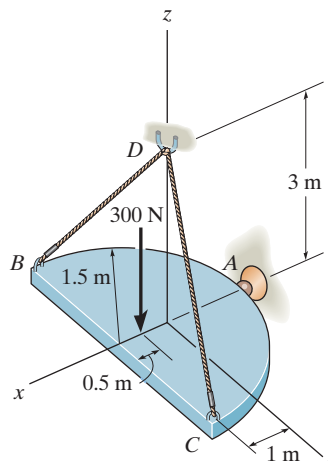
Prob. 5-67

***5-68.** Determine the magnitude of force \mathbf{F} that must be exerted on the handle at C to hold the 75-kg crate in the position shown. Also, determine the components of reaction at the thrust bearing A and smooth journal bearing B .



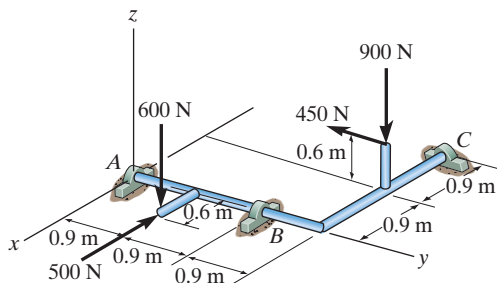
Prob. 5-68

5-70. Determine the tension in cables BD and CD and the x , y , z components of reaction at the ball-and-socket joint at A .



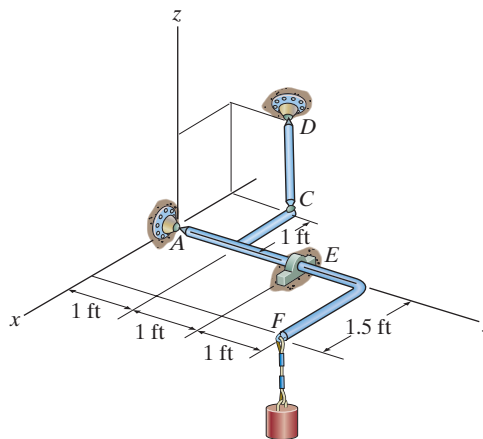
Prob. 5-70

***5-69.** The shaft is supported by three smooth journal bearings at A , B , and C . Determine the components of reaction at these bearings.



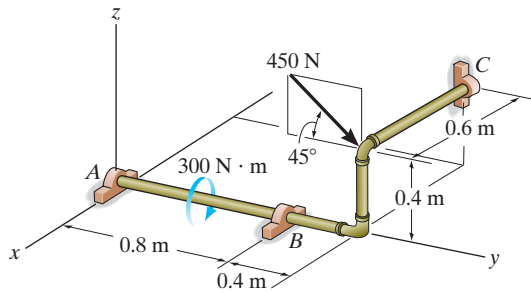
Prob. 5-69

5-71. The rod assembly is used to support the 250-lb cylinder. Determine the components of reaction at the ball-and-socket joint A , the smooth journal bearing E , and the force developed along rod CD . The connections at C and D are ball-and-socket joints.



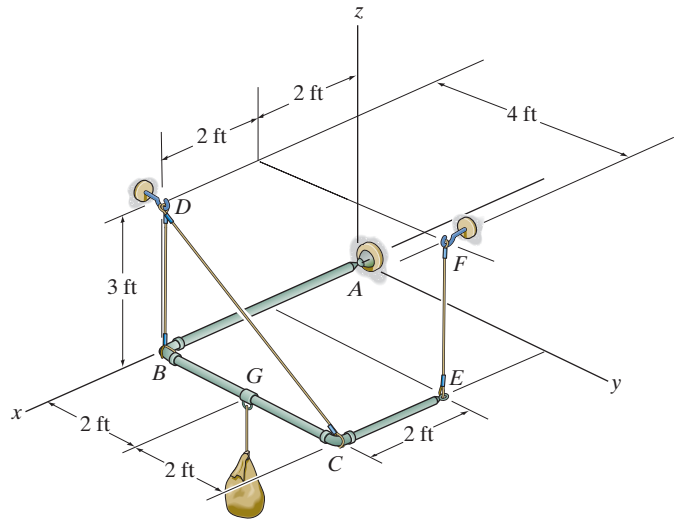
Prob. 5-71

*5-72. Determine the components of reaction acting at the smooth journal bearings A , B , and C .



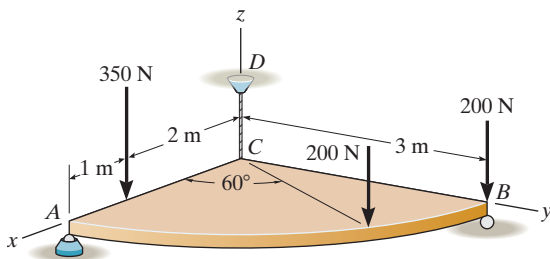
Prob. 5-72

5-74. If the load has a weight of 200 lb, determine the x , y , z components of reaction at the ball-and-socket joint A and the tension in each of the wires.



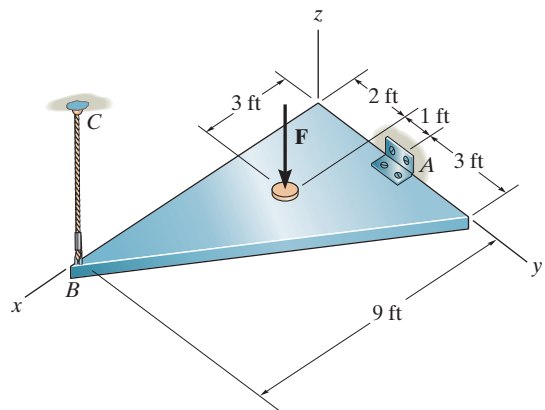
Prob. 5-74

•5-73. Determine the force components acting on the ball-and-socket at A , the reaction at the roller B and the tension on the cord CD needed for equilibrium of the quarter circular plate.



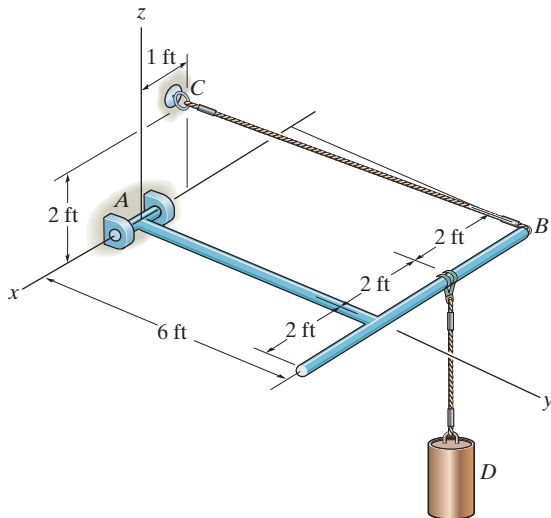
Prob. 5-73

5-75. If the cable can be subjected to a maximum tension of 300 lb, determine the maximum force F which may be applied to the plate. Compute the x , y , z components of reaction at the hinge A for this loading.



Prob. 5-75

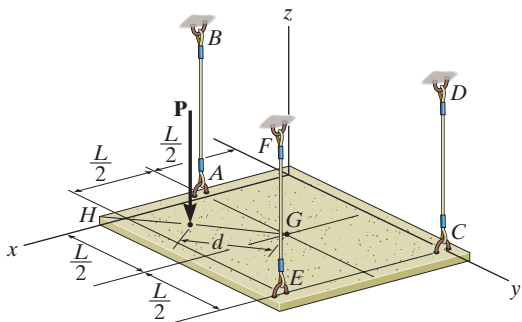
***5-76.** The member is supported by a pin at A and a cable BC . If the load at D is 300 lb, determine the x , y , z components of reaction at the pin A and the tension in cable BC .



Prob. 5-76

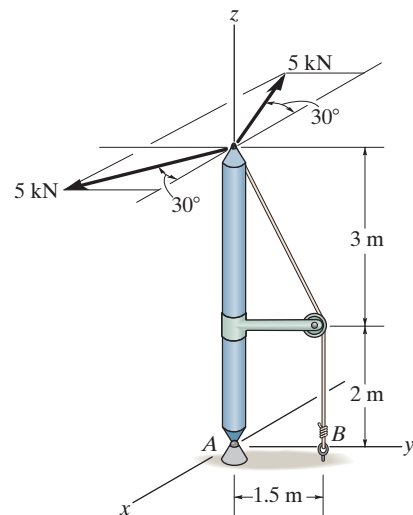
•5-77. The plate has a weight of W with center of gravity at G . Determine the distance d along line GH where the vertical force $P = 0.75W$ will cause the tension in wire CD to become zero.

5-78. The plate has a weight of W with center of gravity at G . Determine the tension developed in wires AB , CD , and EF if the force $P = 0.75W$ is applied at $d = L/2$.



Probs. 5-77/78

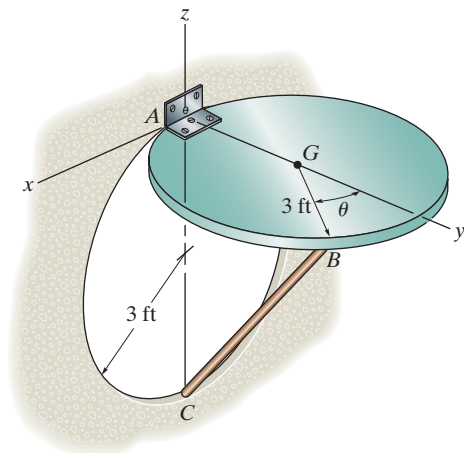
5-79. The boom is supported by a ball-and-socket joint at A and a guy wire at B . If the 5-kN loads lie in a plane which is parallel to the x - y plane, determine the x , y , z components of reaction at A and the tension in the cable at B .



Prob. 5-79

***5-80.** The circular door has a weight of 55 lb and a center of gravity at G . Determine the x , y , z components of reaction at the hinge A and the force acting along strut CB needed to hold the door in equilibrium. Set $\theta = 45^\circ$.

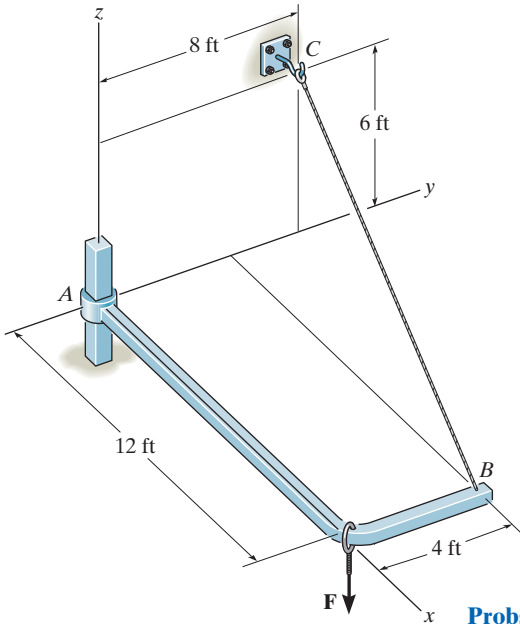
•5-81. The circular door has a weight of 55 lb and a center of gravity at G . Determine the x , y , z components of reaction at the hinge A and the force acting along strut CB needed to hold the door in equilibrium. Set $\theta = 90^\circ$.



Probs. 5-80/81

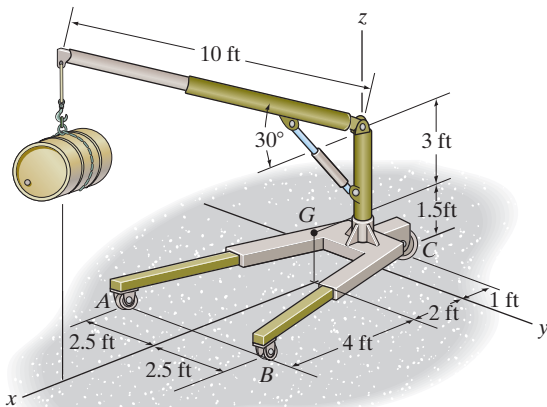
5-82. Member AB is supported at B by a cable and at A by a smooth fixed *square* rod which fits loosely through the square hole of the collar. If $\mathbf{F} = \{20\mathbf{i} - 40\mathbf{j} - 75\mathbf{k}\}$ lb, determine the x , y , z components of reaction at A and the tension in the cable.

5-83. Member AB is supported at B by a cable and at A by a smooth fixed *square* rod which fits loosely through the square hole of the collar. Determine the tension in cable BC if the force $\mathbf{F} = \{-45\mathbf{k}\}$ lb.



Probs. 5-82/83

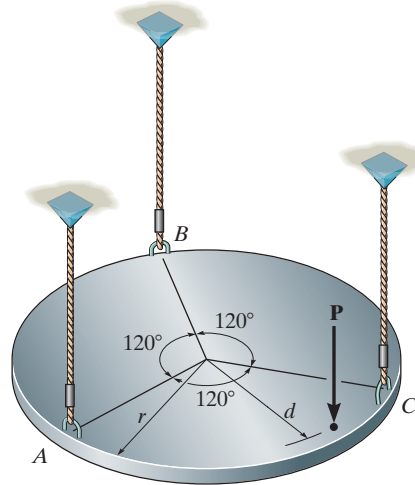
***5-84.** Determine the largest weight of the oil drum that the floor crane can support without overturning. Also, what are the vertical reactions at the smooth wheels A , B , and C for this case. The floor crane has a weight of 300 lb, with its center of gravity located at G .



Prob. 5-84

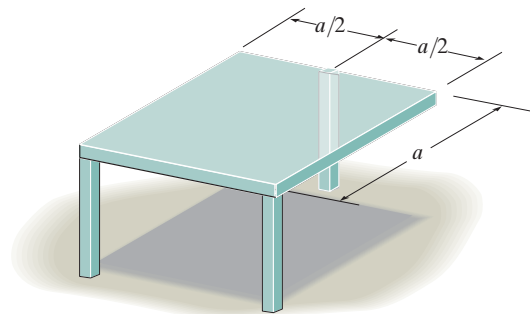
•5-85. The circular plate has a weight W and center of gravity at its center. If it is supported by three vertical cords tied to its edge, determine the largest distance d from the center to where any vertical force \mathbf{P} can be applied so as not to cause the force in any one of the cables to become zero.

5-86. Solve Prob. 5-85 if the plate's weight W is neglected.



Probs. 5-85/86

5-87. A uniform square table having a weight W and sides a is supported by three vertical legs. Determine the smallest vertical force \mathbf{P} that can be applied to its top that will cause it to tip over.



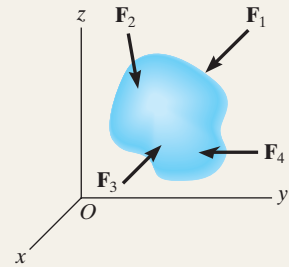
Prob. 5-87

CHAPTER REVIEW

Equilibrium

A body in equilibrium does not rotate but can translate with constant velocity, or it does not move at all.

$$\begin{aligned}\Sigma \mathbf{F} &= \mathbf{0} \\ \Sigma \mathbf{M} &= \mathbf{0}\end{aligned}$$



Two Dimensions

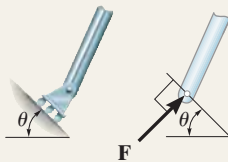
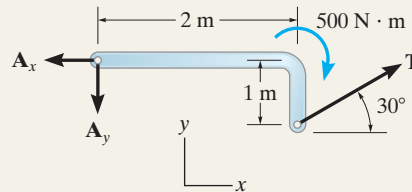
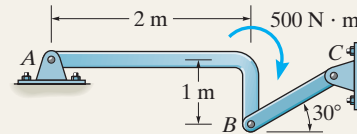
Before analyzing the equilibrium of a body, it is first necessary to draw its free-body diagram. This is an outlined shape of the body, which shows all the forces and couple moments that act on it.

Couple moments can be placed anywhere on a free-body diagram since they are free vectors. Forces can act at any point along their line of action since they are sliding vectors.

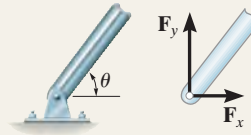
Angles used to resolve forces, and dimensions used to take moments of the forces, should also be shown on the free-body diagram.

Some common types of supports and their reactions are shown below in two dimensions.

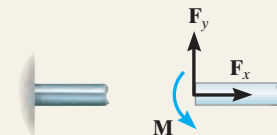
Remember that a support will exert a force on the body in a particular direction if it prevents translation of the body in that direction, and it will exert a couple moment on the body if it prevents rotation.



roller



smooth pin or hinge



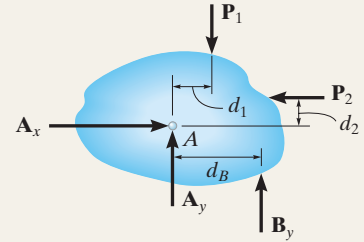
fixed support

The three scalar equations of equilibrium can be applied when solving problems in two dimensions, since the geometry is easy to visualize.

$$\begin{aligned}\Sigma F_x &= 0 \\ \Sigma F_y &= 0 \\ \Sigma M_O &= 0\end{aligned}$$

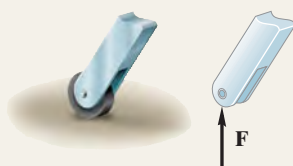
For the most direct solution, try to sum forces along an axis that will eliminate as many unknown forces as possible. Sum moments about a point A that passes through the line of action of as many unknown forces as possible.

$$\begin{aligned}\Sigma F_x &= 0; \\ A_x - P_2 &= 0 \quad A_x = P_2 \\ \Sigma M_A &= 0; \\ P_2 d_2 + B_y d_B - P_1 d_1 &= 0 \\ B_y &= \frac{P_1 d_1 - P_2 d_2}{d_B}\end{aligned}$$



Three Dimensions

Some common types of supports and their reactions are shown here in three dimensions.



roller



ball and socket



fixed support

In three dimensions, it is often advantageous to use a Cartesian vector analysis when applying the equations of equilibrium. To do this, first express each known and unknown force and couple moment shown on the free-body diagram as a Cartesian vector. Then set the force summation equal to zero. Take moments about a point O that lies on the line of action of as many unknown force components as possible. From point O direct position vectors to each force, and then use the cross product to determine the moment of each force.

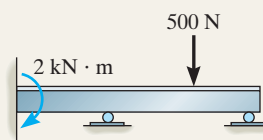
The six scalar equations of equilibrium are established by setting the respective \mathbf{i} , \mathbf{j} , and \mathbf{k} components of these force and moment summations equal to zero.

$$\begin{aligned}\Sigma \mathbf{F} &= \mathbf{0} \\ \Sigma \mathbf{M}_O &= \mathbf{0} \\ \Sigma F_x &= 0 \\ \Sigma F_y &= 0 \\ \Sigma F_z &= 0 \\ \Sigma M_x &= 0 \\ \Sigma M_y &= 0 \\ \Sigma M_z &= 0\end{aligned}$$

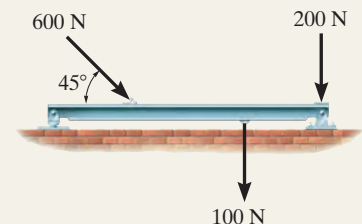
Determinacy and Stability

If a body is supported by a minimum number of constraints to ensure equilibrium, then it is statically determinate. If it has more constraints than required, then it is statically indeterminate.

To properly constrain the body, the reactions must not all be parallel to one another or concurrent.



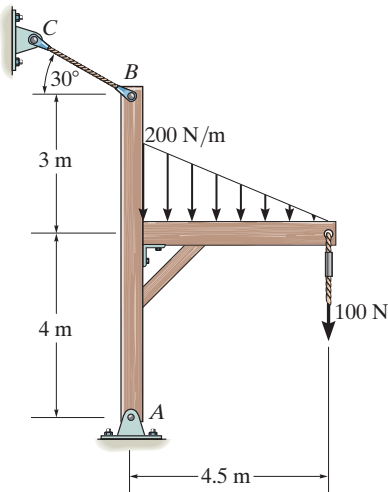
Statically indeterminate, five reactions, three equilibrium equations



Proper constraint, statically determinate

REVIEW PROBLEMS

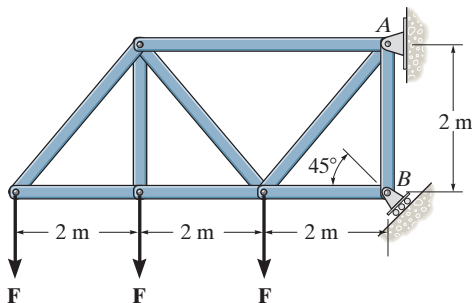
***5-88.** Determine the horizontal and vertical components of reaction at the pin A and the force in the cable BC . Neglect the thickness of the members.



Prob. 5-88

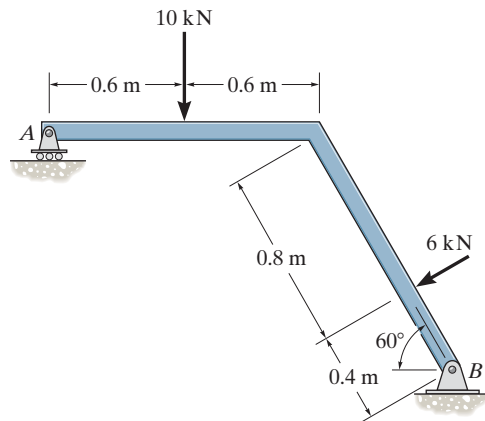
•5-89. Determine the horizontal and vertical components of reaction at the pin A and the reaction at the roller B required to support the truss. Set $F = 600$ N.

5-90. If the roller at B can sustain a maximum load of 3 kN, determine the largest magnitude of each of the three forces \mathbf{F} that can be supported by the truss.



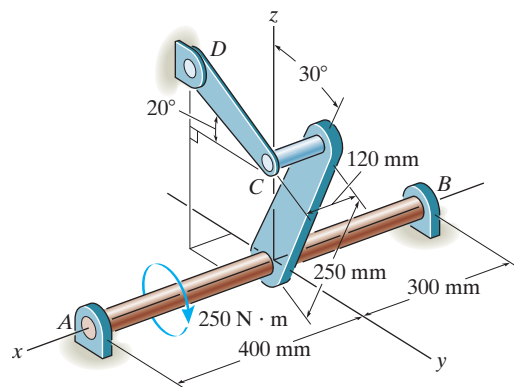
Probs. 5-89/90

5-91. Determine the normal reaction at the roller A and horizontal and vertical components at pin B for equilibrium of the member.



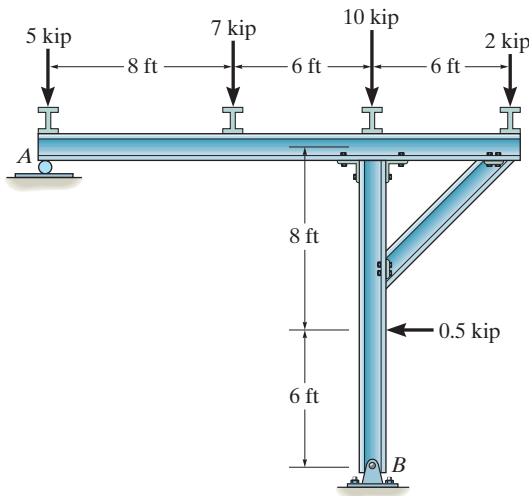
Prob. 5-91

***5-92.** The shaft assembly is supported by two smooth journal bearings A and B and a short link DC . If a couple moment is applied to the shaft as shown, determine the components of force reaction at the journal bearings and the force in the link. The link lies in a plane parallel to the y - z plane and the bearings are properly aligned on the shaft.



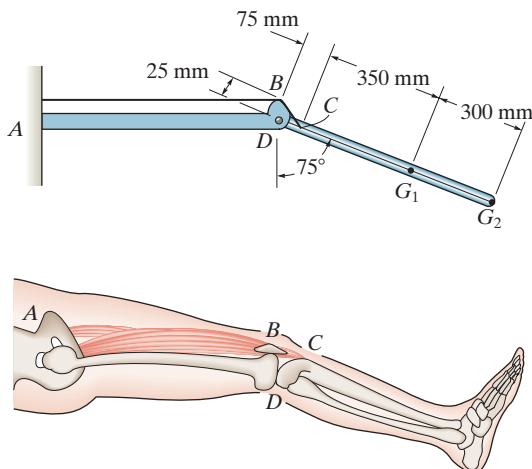
Prob. 5-92

•5–93. Determine the reactions at the supports A and B of the frame.



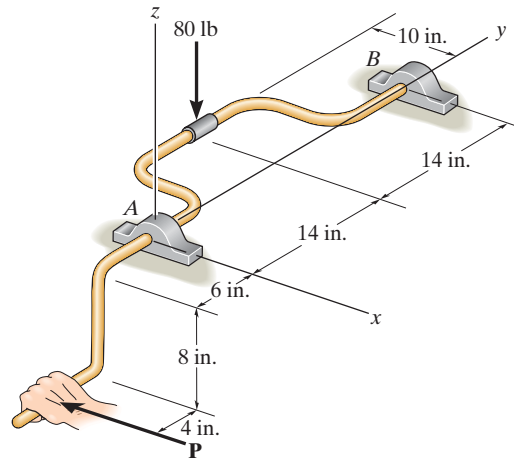
Prob. 5–93

5–94. A skeletal diagram of the lower leg is shown in the lower figure. Here it can be noted that this portion of the leg is lifted by the quadriceps muscle attached to the hip at A and to the patella bone at B . This bone slides freely over cartilage at the knee joint. The quadriceps is further extended and attached to the tibia at C . Using the mechanical system shown in the upper figure to model the lower leg, determine the tension in the quadriceps at C and the magnitude of the resultant force at the femur (pin), D , in order to hold the lower leg in the position shown. The lower leg has a mass of 3.2 kg and a mass center at G_1 ; the foot has a mass of 1.6 kg and a mass center at G_2 .



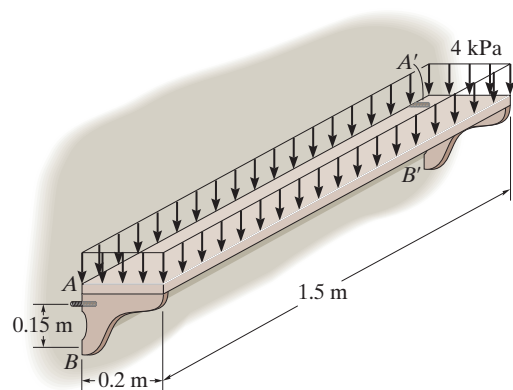
Prob. 5–94

5–95. A vertical force of 80 lb acts on the crankshaft. Determine the horizontal equilibrium force P that must be applied to the handle and the x, y, z components of force at the smooth journal bearing A and the thrust bearing B . The bearings are properly aligned and exert only force reactions on the shaft.



Prob. 5–95

*5–96. The symmetrical shelf is subjected to a uniform load of 4 kPa. Support is provided by a bolt (or pin) located at each end A and A' and by the symmetrical brace arms, which bear against the smooth wall on both sides at B and B' . Determine the force resisted by each bolt at the wall and the normal force at B for equilibrium.



Prob. 5–96



The forces within the members of each truss bridge must be determined if the members are to be properly designed.

CHAPTER OBJECTIVES

- To show how to determine the forces in the members of a truss using the method of joints and the method of sections.
- To analyze the forces acting on the members of frames and machines composed of pin-connected members.

6.1 Simple Trusses

A *truss* is a structure composed of slender members joined together at their end points. The members commonly used in construction consist of wooden struts or metal bars. In particular, *planar* trusses lie in a single plane and are often used to support roofs and bridges. The truss shown in Fig. 6-1a is an example of a typical roof-supporting truss. In this figure, the roof load is transmitted to the truss *at the joints* by means of a series of *purlins*. Since this loading acts in the same plane as the truss, Fig. 6-1b, the analysis of the forces developed in the truss members will be two-dimensional.

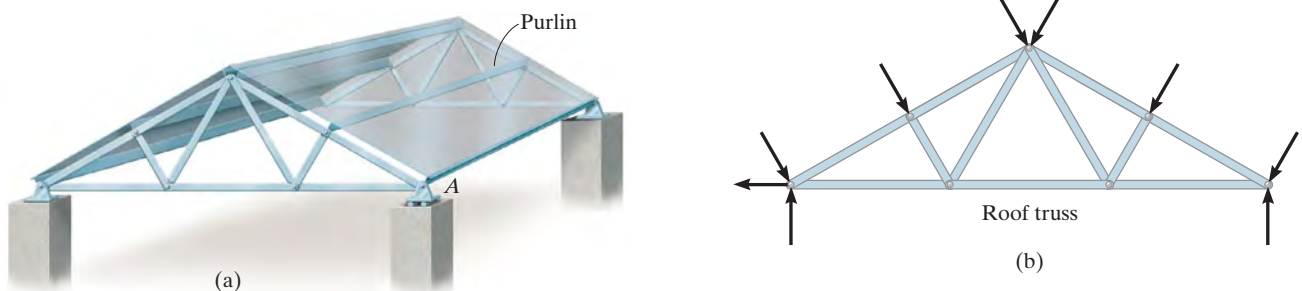


Fig. 6-1

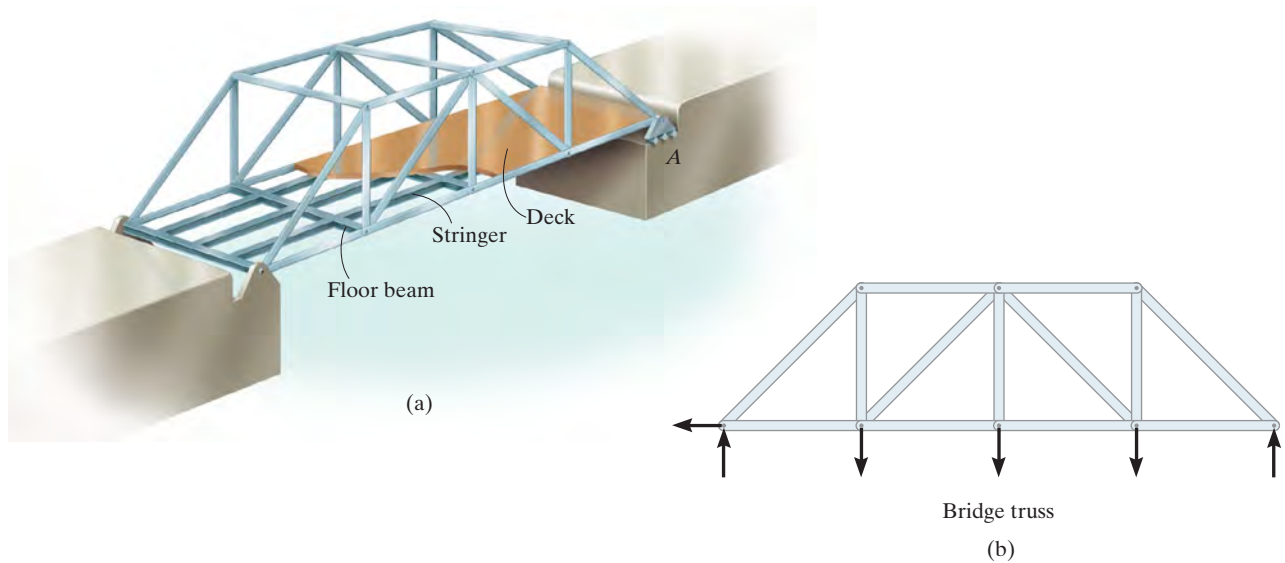


Fig. 6-2

In the case of a bridge, such as shown in Fig. 6-2a, the load on the deck is first transmitted to *stringers*, then to *floor beams*, and finally to the *joints* of the two supporting side trusses. Like the roof truss, the bridge truss loading is also coplanar, Fig. 6-2b.

When bridge or roof trusses extend over large distances, a rocker or roller is commonly used for supporting one end, for example, joint *A* in Figs. 6-1a and 6-2a. This type of support allows freedom for expansion or contraction of the members due to a change in temperature or application of loads.

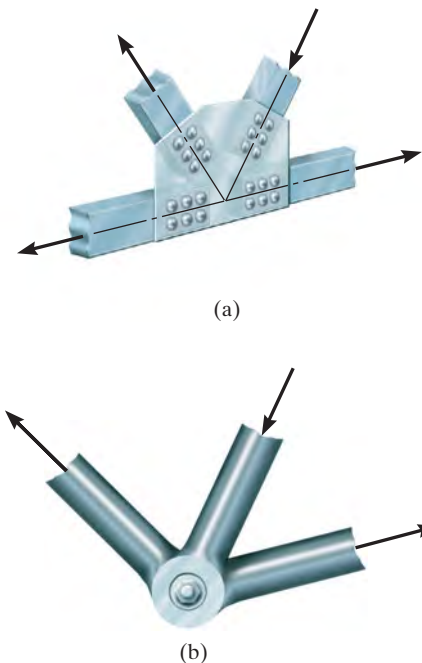


Fig. 6-3

Assumptions for Design. To design both the members and the connections of a truss, it is necessary first to determine the *force* developed in each member when the truss is subjected to a given loading. To do this we will make two important assumptions:

- **All loadings are applied at the joints.** In most situations, such as for bridge and roof trusses, this assumption is true. Frequently the weight of the members is neglected because the force supported by each member is usually much larger than its weight. However, if the weight is to be included in the analysis, it is generally satisfactory to apply it as a vertical force, with half of its magnitude applied at each end of the member.
- **The members are joined together by smooth pins.** The joint connections are usually formed by bolting or welding the ends of the members to a common plate, called a *gusset plate*, as shown in Fig. 6-3a, or by simply passing a large bolt or pin through each of the members, Fig. 6-3b. We can assume these connections act as pins provided the center lines of the joining members are *concurrent*, as in Fig. 6-3.

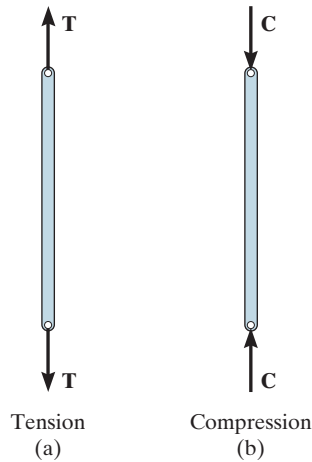


Fig. 6-4

Because of these two assumptions, *each truss member will act as a two-force member*, and therefore the force acting at each end of the member will be directed along the axis of the member. If the force tends to *elongate* the member, it is a *tensile force* (T), Fig. 6-4a; whereas if it tends to *shorten* the member, it is a *compressive force* (C), Fig. 6-4b. In the actual design of a truss it is important to state whether the nature of the force is tensile or compressive. Often, compression members must be made *thicker* than tension members because of the buckling or column effect that occurs when a member is in compression.

Simple Truss. If three members are pin connected at their ends they form a *triangular truss* that will be *rigid*, Fig. 6-5. Attaching two more members and connecting these members to a new joint *D* forms a larger truss, Fig. 6-6. This procedure can be repeated as many times as desired to form an even larger truss. If a truss can be constructed by expanding the basic triangular truss in this way, it is called a *simple truss*.

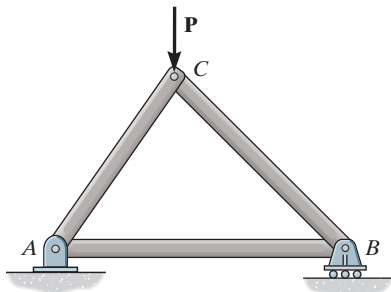


Fig. 6-5

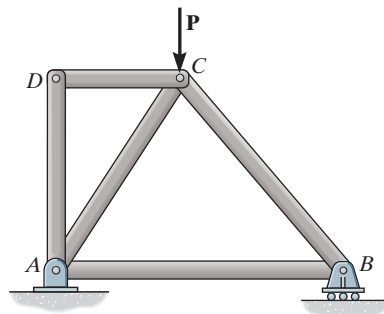


Fig. 6-6



The use of metal gusset plates in the construction of these Warren trusses is clearly evident.

6.2 The Method of Joints

In order to analyze or design a truss, it is necessary to determine the force in each of its members. One way to do this is to use the method of joints. This method is based on the fact that if the entire truss is in equilibrium, then each of its joints is also in equilibrium. Therefore, if the free-body diagram of each joint is drawn, the force equilibrium equations can then be used to obtain the member forces acting on each joint. Since the members of a *plane truss* are straight two-force members lying in a single plane, each joint is subjected to a force system that is *coplanar and concurrent*. As a result, only $\Sigma F_x = 0$ and $\Sigma F_y = 0$ need to be satisfied for equilibrium.

For example, consider the pin at joint B of the truss in Fig. 6–7a. Three forces act on the pin, namely, the 500-N force and the forces exerted by members BA and BC . The free-body diagram of the pin is shown in Fig. 6–7b. Here, \mathbf{F}_{BA} is “pulling” on the pin, which means that member BA is in *tension*; whereas \mathbf{F}_{BC} is “pushing” on the pin, and consequently member BC is in *compression*. These effects are clearly demonstrated by isolating the joint with small segments of the member connected to the pin, Fig. 6–7c. The pushing or pulling on these small segments indicates the effect of the member being either in compression or tension.

When using the method of joints, always start at a joint having at least one known force and at most two unknown forces, as in Fig. 6–7b. In this way, application of $\Sigma F_x = 0$ and $\Sigma F_y = 0$ yields two algebraic equations which can be solved for the two unknowns. When applying these equations, the correct sense of an unknown member force can be determined using one of two possible methods.

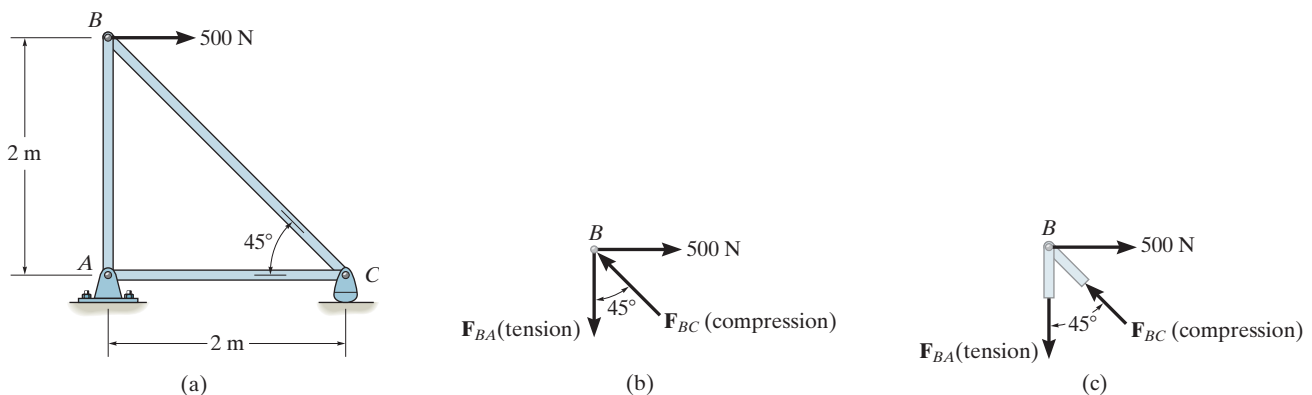


Fig. 6–7

- The *correct* sense of direction of an unknown member force can, in many cases, be determined “by inspection.” For example, \mathbf{F}_{BC} in Fig. 6–7b must push on the pin (compression) since its horizontal component, $F_{BC} \sin 45^\circ$, must balance the 500-N force ($\Sigma F_x = 0$). Likewise, \mathbf{F}_{BA} is a tensile force since it balances the vertical component, $F_{BC} \cos 45^\circ$ ($\Sigma F_y = 0$). In more complicated cases, the sense of an unknown member force can be *assumed*; then, after applying the equilibrium equations, the assumed sense can be verified from the numerical results. A *positive* answer indicates that the sense is *correct*, whereas a *negative* answer indicates that the sense shown on the free-body diagram must be *reversed*.
- *Always assume the unknown member forces acting on the joint’s free-body diagram to be in tension; i.e., the forces “pull” on the pin.* If this is done, then numerical solution of the equilibrium equations will yield *positive scalars for members in tension and negative scalars for members in compression.* Once an unknown member force is found, use its *correct* magnitude and sense (T or C) on subsequent joint free-body diagrams.



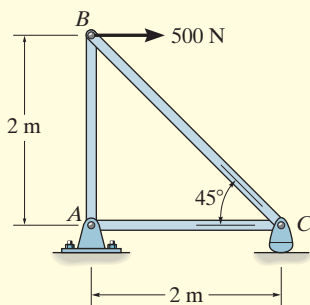
The forces in the members of this simple roof truss can be determined using the method of joints.

Procedure for Analysis

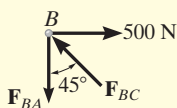
The following procedure provides a means for analyzing a truss using the method of joints.

- Draw the free-body diagram of a joint having at least one known force and at most two unknown forces. (If this joint is at one of the supports, then it may be necessary first to calculate the external reactions at the support.)
- Use one of the two methods described above for establishing the sense of an unknown force.
- Orient the x and y axes such that the forces on the free-body diagram can be easily resolved into their x and y components and then apply the two force equilibrium equations $\Sigma F_x = 0$ and $\Sigma F_y = 0$. Solve for the two unknown member forces and verify their correct sense.
- Using the calculated results, continue to analyze each of the other joints. Remember that a member in *compression* “pushes” on the joint and a member in *tension* “pulls” on the joint. Also, be sure to choose a joint having at most two unknowns and at least one known force.

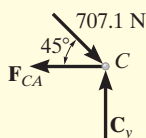
EXAMPLE 6.1



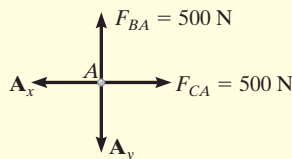
(a)



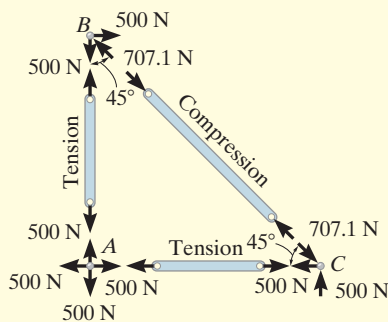
(b)



(c)



(d)



(e)

Fig. 6-8

Determine the force in each member of the truss shown in Fig. 6-8a and indicate whether the members are in tension or compression.

SOLUTION

Since we should have no more than two unknown forces at the joint and at least one known force acting there, we will begin our analysis at joint *B*.

Joint B. The free-body diagram of the joint at *B* is shown in Fig. 6-8b. Applying the equations of equilibrium, we have

$$\rightarrow \Sigma F_x = 0; \quad 500 \text{ N} - F_{BC} \sin 45^\circ = 0 \quad F_{BC} = 707.1 \text{ N (C) Ans.}$$

$$+\uparrow \Sigma F_y = 0; \quad F_{BC} \cos 45^\circ - F_{BA} = 0 \quad F_{BA} = 500 \text{ N (T) Ans.}$$

Since the force in member *BC* has been calculated, we can proceed to analyze joint *C* to determine the force in member *CA* and the support reaction at the rocker.

Joint C. From the free-body diagram of joint *C*, Fig. 6-8c, we have

$$\rightarrow \Sigma F_x = 0; \quad -F_{CA} + 707.1 \cos 45^\circ \text{ N} = 0 \quad F_{CA} = 500 \text{ N (T) Ans.}$$

$$+\uparrow \Sigma F_y = 0; \quad C_y - 707.1 \sin 45^\circ \text{ N} = 0 \quad C_y = 500 \text{ N Ans.}$$

Joint A. Although it is not necessary, we can determine the components of the support reactions at joint *A* using the results of F_{CA} and F_{BA} . From the free-body diagram, Fig. 6-8d, we have

$$\rightarrow \Sigma F_x = 0; \quad 500 \text{ N} - A_x = 0 \quad A_x = 500 \text{ N}$$

$$+\uparrow \Sigma F_y = 0; \quad 500 \text{ N} - A_y = 0 \quad A_y = 500 \text{ N}$$

NOTE: The results of the analysis are summarized in Fig. 6-8e. Note that the free-body diagram of each joint (or pin) shows the effects of all the connected members and external forces applied to the joint, whereas the free-body diagram of each member shows only the effects of the end joints on the member.

EXAMPLE 6.2

Determine the force in each member of the truss in Fig. 6–9a and indicate if the members are in tension or compression.

SOLUTION

Since joint C has one known and only two unknown forces acting on it, it is possible to start at this joint, then analyze joint D , and finally joint A . This way the support reactions will not have to be determined prior to starting the analysis.

Joint C. By inspection of the force equilibrium, Fig. 6–9b, it can be seen that both members BC and CD must be in compression.

$$+\uparrow \Sigma F_y = 0; \quad F_{BC} \sin 45^\circ - 400 \text{ N} = 0$$

$$F_{BC} = 565.69 \text{ N} = 566 \text{ N (C)} \quad \text{Ans.}$$

$$\rightarrow \Sigma F_x = 0; \quad F_{CD} - (565.69 \text{ N}) \cos 45^\circ = 0$$

$$F_{CD} = 400 \text{ N (C)} \quad \text{Ans.}$$

Joint D. Using the result $F_{CD} = 400 \text{ N (C)}$, the force in members BD and AD can be found by analyzing the equilibrium of joint D . We will assume \mathbf{F}_{AD} and \mathbf{F}_{BD} are both tensile forces, Fig. 6–9c. The x' , y' coordinate system will be established so that the x' axis is directed along \mathbf{F}_{BD} . This way, we will eliminate the need to solve two equations simultaneously. Now \mathbf{F}_{AD} can be obtained *directly* by applying $\Sigma F_{y'} = 0$.

$$+\nearrow \Sigma F_{y'} = 0; \quad -F_{AD} \sin 15^\circ - 400 \sin 30^\circ = 0$$

$$F_{AD} = -772.74 \text{ N} = 773 \text{ N (C)} \quad \text{Ans.}$$

The negative sign indicates that \mathbf{F}_{AD} is a compressive force. Using this result,

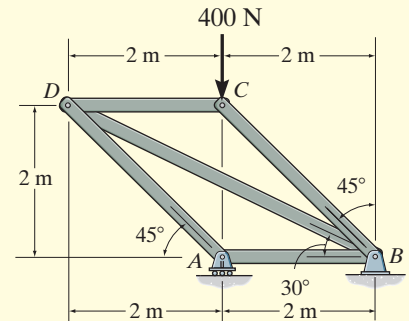
$$+\searrow \Sigma F_{x'} = 0; \quad F_{BD} + (-772.74 \cos 15^\circ) - 400 \cos 30^\circ = 0$$

$$F_{BD} = 1092.82 \text{ N} = 1.09 \text{ kN (T)} \quad \text{Ans.}$$

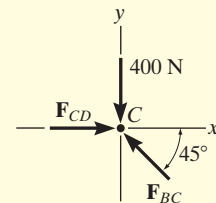
Joint A. The force in member AB can be found by analyzing the equilibrium of joint A , Fig. 6–9d. We have

$$\rightarrow \Sigma F_x = 0; \quad (772.74 \text{ N}) \cos 45^\circ - F_{AB} = 0$$

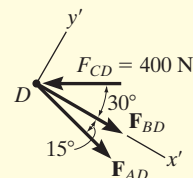
$$F_{AB} = 546.41 \text{ N (C)} = 546 \text{ N (C)} \quad \text{Ans.}$$



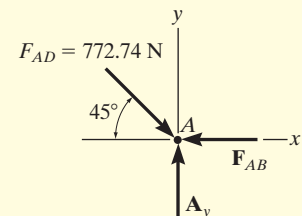
(a)



(b)



(c)



(d)

Fig. 6–9

EXAMPLE 6.3

Determine the force in each member of the truss shown in Fig. 6–10*a*. Indicate whether the members are in tension or compression.

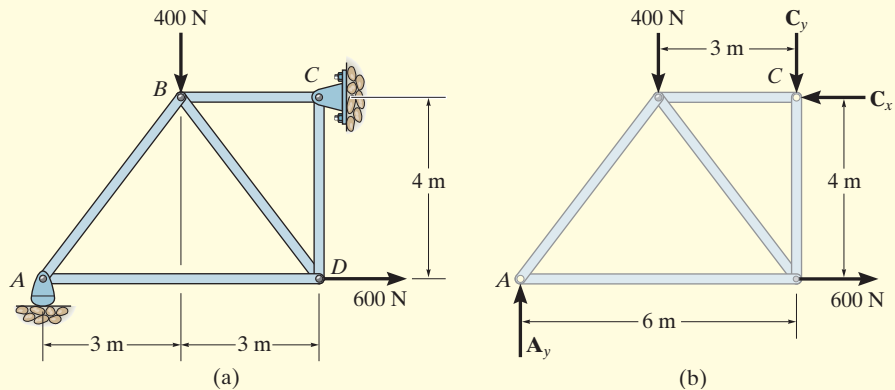


Fig. 6–10

SOLUTION

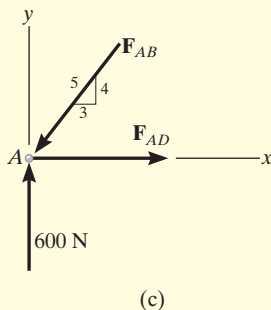
Support Reactions. No joint can be analyzed until the support reactions are determined, because each joint has more than three unknown forces acting on it. A free-body diagram of the entire truss is given in Fig. 6–10*b*. Applying the equations of equilibrium, we have

$$\begin{aligned} \rightarrow \Sigma F_x &= 0; & 600 \text{ N} - C_x &= 0 & C_x &= 600 \text{ N} \\ \zeta + \Sigma M_C &= 0; & -A_y(6 \text{ m}) + 400 \text{ N}(3 \text{ m}) + 600 \text{ N}(4 \text{ m}) &= 0 & A_y &= 600 \text{ N} \\ + \uparrow \Sigma F_y &= 0; & 600 \text{ N} - 400 \text{ N} - C_y &= 0 & C_y &= 200 \text{ N} \end{aligned}$$

The analysis can now start at either joint *A* or *C*. The choice is arbitrary since there are one known and two unknown member forces acting on the pin at each of these joints.

Joint A. (Fig. 6–10*c*). As shown on the free-body diagram, \mathbf{F}_{AB} is assumed to be compressive and \mathbf{F}_{AD} is tensile. Applying the equations of equilibrium, we have

$$\begin{aligned} + \uparrow \Sigma F_y &= 0; & 600 \text{ N} - \frac{4}{5}F_{AB} &= 0 & F_{AB} &= 750 \text{ N (C)} & \text{Ans.} \\ \rightarrow \Sigma F_x &= 0; & F_{AD} - \frac{3}{5}(750 \text{ N}) &= 0 & F_{AD} &= 450 \text{ N (T)} & \text{Ans.} \end{aligned}$$



Joint D. (Fig. 6-10d). Using the result for F_{AD} and summing forces in the horizontal direction, Fig. 6-10d, we have

$$\rightarrow \Sigma F_x = 0; \quad -450 \text{ N} + \frac{3}{5}F_{DB} + 600 \text{ N} = 0 \quad F_{DB} = -250 \text{ N}$$

The negative sign indicates that \mathbf{F}_{DB} acts in the *opposite sense* to that shown in Fig. 6-10d.* Hence,

$$F_{DB} = 250 \text{ N (T)} \quad \text{Ans.}$$

To determine \mathbf{F}_{DC} , we can either correct the sense of \mathbf{F}_{DB} on the free-body diagram, and then apply $\Sigma F_y = 0$, or apply this equation and retain the negative sign for F_{DB} , i.e.,

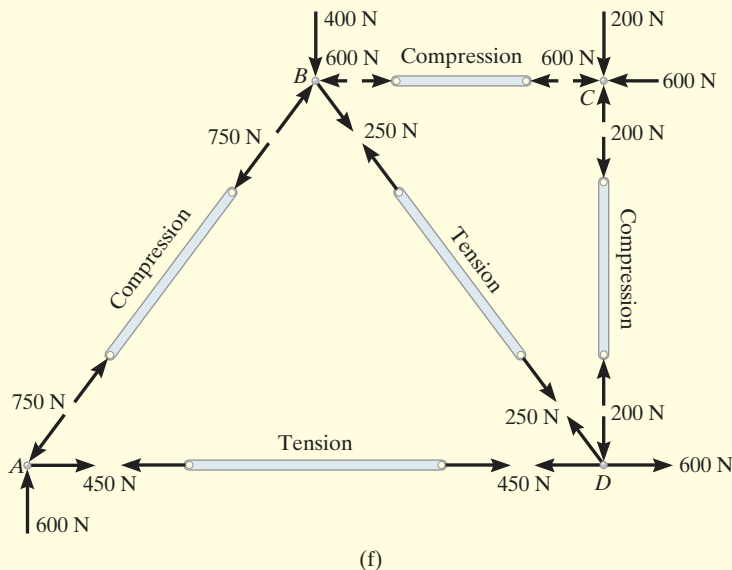
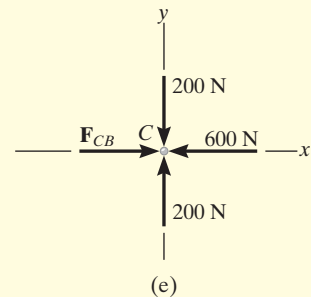
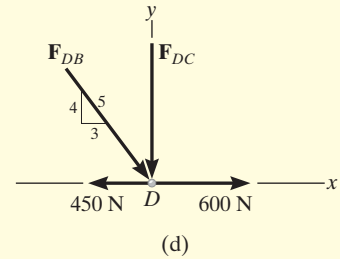
$$+\uparrow \Sigma F_y = 0; \quad -F_{DC} - \frac{4}{5}(-250 \text{ N}) = 0 \quad F_{DC} = 200 \text{ N (C)} \quad \text{Ans.}$$

Joint C. (Fig. 6-10e).

$$\rightarrow \Sigma F_x = 0; \quad F_{CB} - 600 \text{ N} = 0 \quad F_{CB} = 600 \text{ N (C)} \quad \text{Ans.}$$

$$+\uparrow \Sigma F_y = 0; \quad 200 \text{ N} - 200 \text{ N} \equiv 0 \quad (\text{check})$$

NOTE: The analysis is summarized in Fig. 6-10f, which shows the free-body diagram for each joint and member.



* The proper sense could have been determined by inspection, prior to applying $\Sigma F_x = 0$.

6.3 Zero-Force Members

Truss analysis using the method of joints is greatly simplified if we can first identify those members which support *no loading*. These *zero-force members* are used to increase the stability of the truss during construction and to provide added support if the loading is changed.

The zero-force members of a truss can generally be found by *inspection* of each of the joints. For example, consider the truss shown in Fig. 6–11a. If a free-body diagram of the pin at joint *A* is drawn, Fig. 6–11b, it is seen that members *AB* and *AF* are zero-force members. (We could not have come to this conclusion if we had considered the free-body diagrams of joints *F* or *B* simply because there are five unknowns at each of these joints.) In a similar manner, consider the free-body diagram of joint *D*, Fig. 6–11c. Here again it is seen that *DC* and *DE* are zero-force members. From these observations, we can conclude that *if only two members form a truss joint and no external load or support reaction is applied to the joint, the two members must be zero-force members*. The load on the truss in Fig. 6–11a is therefore supported by only five members as shown in Fig. 6–11d.

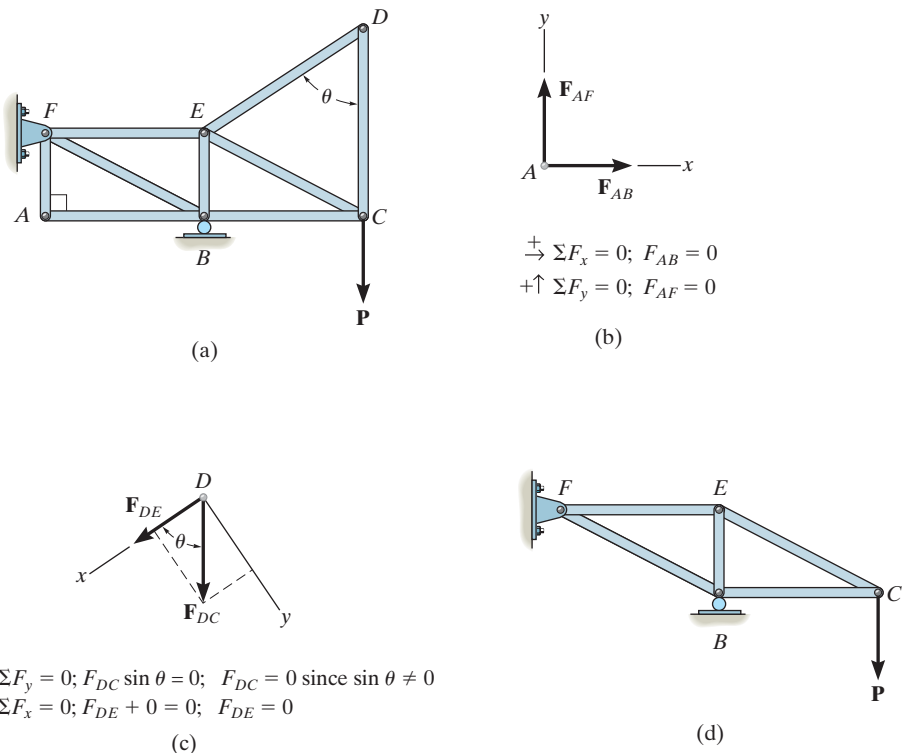


Fig. 6–11

Now consider the truss shown in Fig. 6–12a. The free-body diagram of the pin at joint D is shown in Fig. 6–12b. By orienting the y axis along members DC and DE and the x axis along member DA , it is seen that DA is a zero-force member. Note that this is also the case for member CA , Fig. 6–12c. In general then, *if three members form a truss joint for which two of the members are collinear, the third member is a zero-force member provided no external force or support reaction is applied to the joint.* The truss shown in Fig. 6–12d is therefore suitable for supporting the load \mathbf{P} .

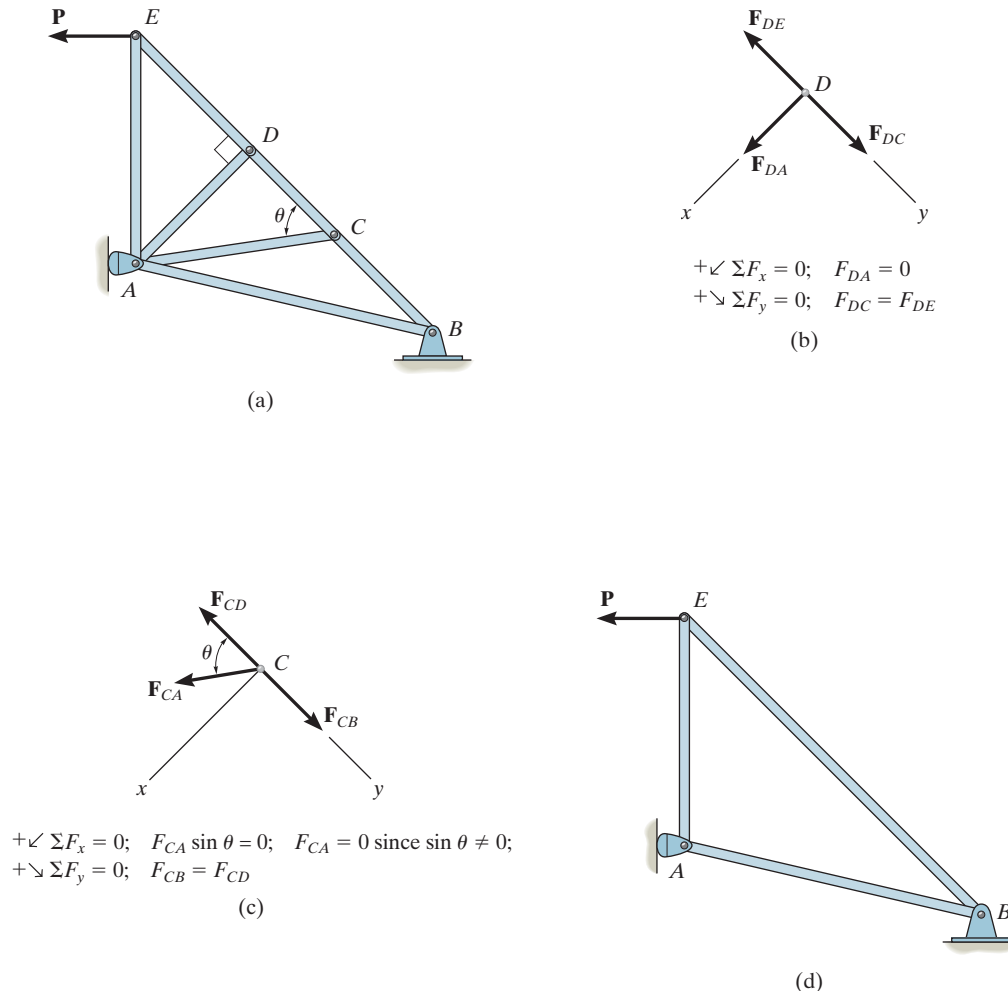
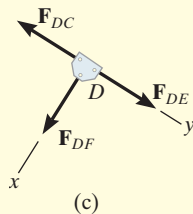
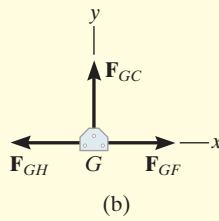


Fig. 6–12

EXAMPLE 6.4



Using the method of joints, determine all the zero-force members of the *Fink roof truss* shown in Fig. 6–13a. Assume all joints are pin connected.

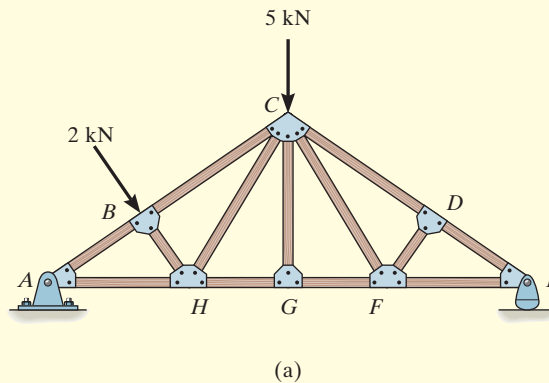


Fig. 6–13

SOLUTION

Look for joint geometries that have three members for which two are collinear. We have

Joint G. (Fig. 6–13b).

$$+\uparrow \Sigma F_y = 0; \quad F_{GC} = 0 \quad \text{Ans.}$$

Realize that we could not conclude that GC is a zero-force member by considering joint C , where there are five unknowns. The fact that GC is a zero-force member means that the 5-kN load at C must be supported by members CB , CH , CF , and CD .

Joint D. (Fig. 6–13c).

$$+\swarrow \Sigma F_x = 0; \quad F_{DF} = 0 \quad \text{Ans.}$$

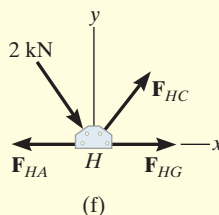
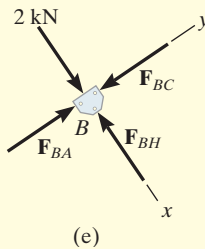
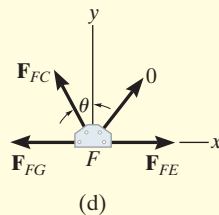
Joint F. (Fig. 6–13d).

$$+\uparrow \Sigma F_y = 0; \quad F_{FC} \cos \theta = 0 \quad \text{Since } \theta \neq 90^\circ, \quad F_{FC} = 0 \quad \text{Ans.}$$

NOTE: If joint B is analyzed, Fig. 6–13e,

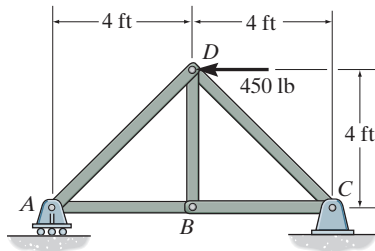
$$+\searrow \Sigma F_x = 0; \quad 2 \text{ kN} - F_{BH} = 0 \quad F_{BH} = 2 \text{ kN} \quad (C)$$

Also, F_{HC} must satisfy $\Sigma F_y = 0$, Fig. 6–13f, and therefore HC is not a zero-force member.



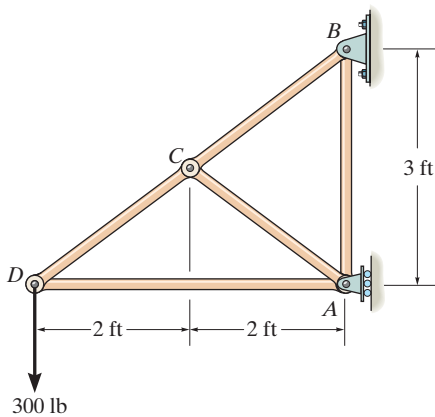
FUNDAMENTAL PROBLEMS

F6-1. Determine the force in each member of the truss. State if the members are in tension or compression.



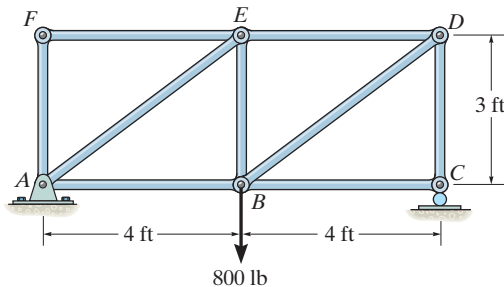
F6-1

F6-2. Determine the force in each member of the truss. State if the members are in tension or compression.



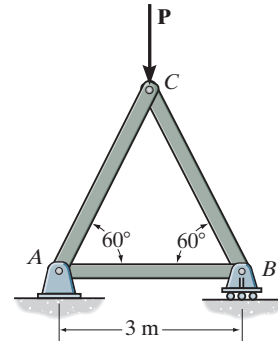
F6-2

F6-3. Determine the force in members AE and DC . State if the members are in tension or compression.



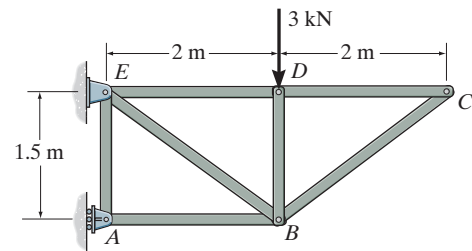
F6-3

F6-4. Determine the greatest load P that can be applied to the truss so that none of the members are subjected to a force exceeding either 2 kN in tension or 1.5 kN in compression.



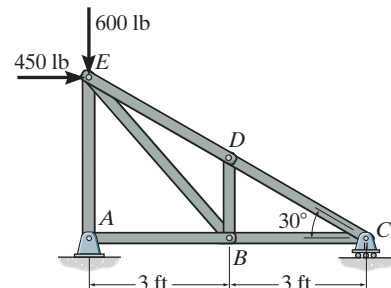
F6-4

F6-5. Identify the zero-force members in the truss.



F6-5

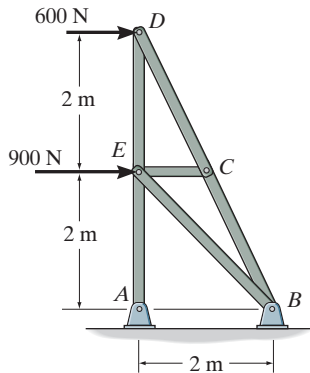
F6-6. Determine the force in each member of the truss. State if the members are in tension or compression.



F6-6

PROBLEMS

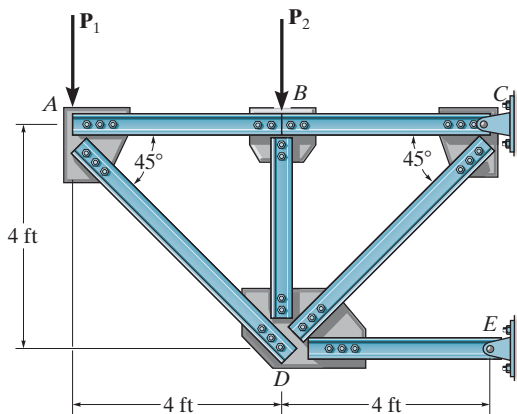
•6-1. Determine the force in each member of the truss, and state if the members are in tension or compression.



Prob. 6-1

6-2. The truss, used to support a balcony, is subjected to the loading shown. Approximate each joint as a pin and determine the force in each member. State whether the members are in tension or compression. Set $P_1 = 600$ lb, $P_2 = 400$ lb.

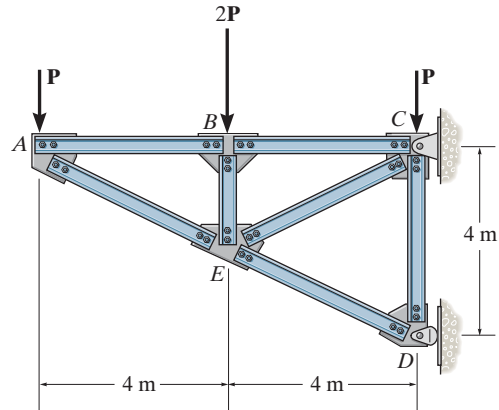
6-3. The truss, used to support a balcony, is subjected to the loading shown. Approximate each joint as a pin and determine the force in each member. State whether the members are in tension or compression. Set $P_1 = 800$ lb, $P_2 = 0$.



Probs. 6-2/3 Prob. 6-1

*6-4. Determine the force in each member of the truss and state if the members are in tension or compression. Assume each joint as a pin. Set $P = 4$ kN.

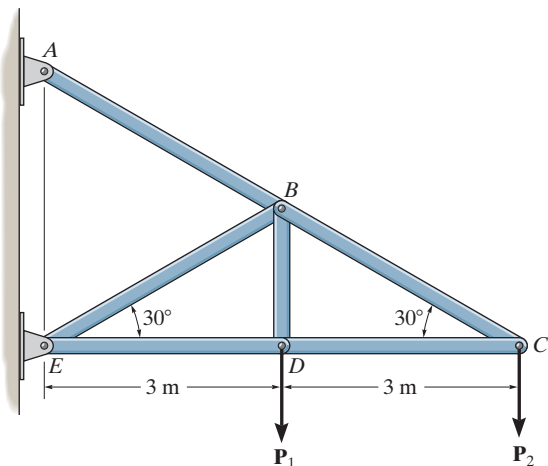
•6-5. Assume that each member of the truss is made of steel having a mass per length of 4 kg/m. Set $P = 0$, determine the force in each member, and indicate if the members are in tension or compression. Neglect the weight of the gusset plates and assume each joint is a pin. Solve the problem by assuming the weight of each member can be represented as a vertical force, half of which is applied at the end of each member.



Probs. 6-4/5

6-6. Determine the force in each member of the truss and state if the members are in tension or compression. Set $P_1 = 2$ kN and $P_2 = 1.5$ kN.

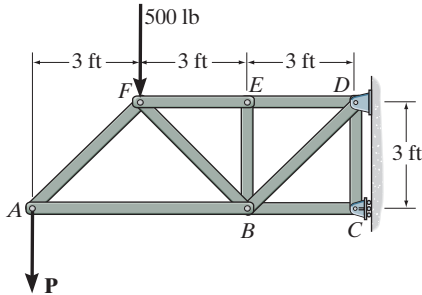
6-7. Determine the force in each member of the truss and state if the members are in tension or compression. Set $P_1 = P_2 = 4$ kN.



Probs. 6-6/7

***6-8.** Determine the force in each member of the truss, and state if the members are in tension or compression. Set $P = 800$ lb.

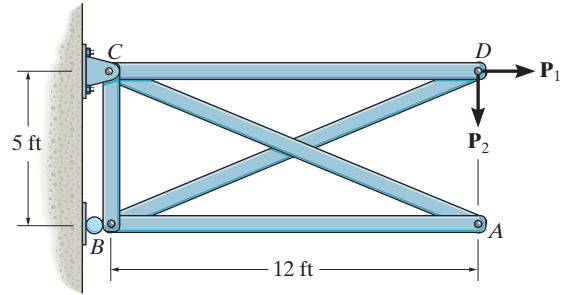
•6-9. Remove the 500-lb force and then determine the greatest force P that can be applied to the truss so that none of the members are subjected to a force exceeding either 800 lb in tension or 600 lb in compression.



Probs. 6-8/9

***6-12.** Determine the force in each member of the truss and state if the members are in tension or compression. Set $P_1 = 240$ lb, $P_2 = 100$ lb.

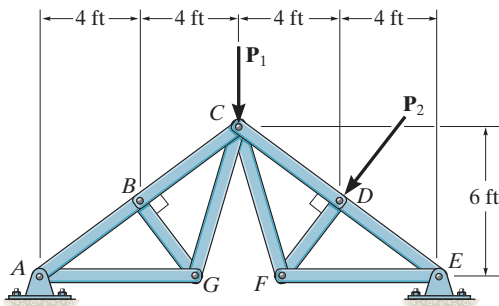
•6-13. Determine the largest load P_2 that can be applied to the truss so that the force in any member does not exceed 500 lb (T) or 350 lb (C). Take $P_1 = 0$.



Probs. 6-12/13

6-10. Determine the force in each member of the truss and state if the members are in tension or compression. Set $P_1 = 800$ lb, $P_2 = 0$.

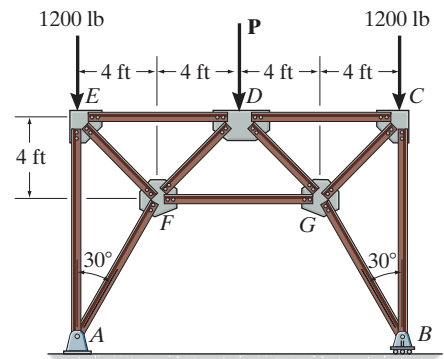
6-11. Determine the force in each member of the truss and state if the members are in tension or compression. Set $P_1 = 600$ lb, $P_2 = 400$ lb.



Probs. 6-10/11

6-14. Determine the force in each member of the truss, and state if the members are in tension or compression. Set $P = 2500$ lb.

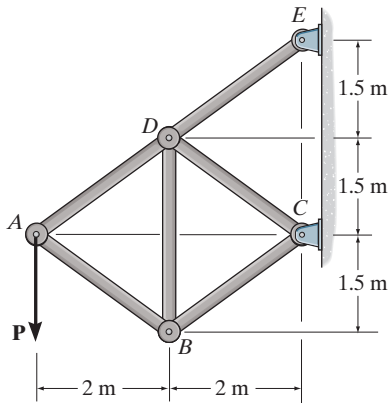
6-15. Remove the 1200-lb forces and determine the greatest force P that can be applied to the truss so that none of the members are subjected to a force exceeding either 2000 lb in tension or 1500 lb in compression.



Probs. 6-14/15

***6-16.** Determine the force in each member of the truss, and state if the members are in tension or compression. Set $P = 5 \text{ kN}$.

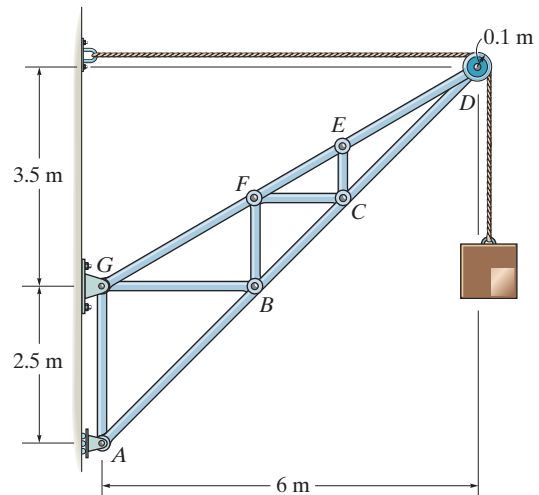
***6-17.** Determine the greatest force P that can be applied to the truss so that none of the members are subjected to a force exceeding either 2.5 kN in tension or 2 kN in compression.



Probs. 6-16/17

***6-20.** Determine the force in each member of the truss and state if the members are in tension or compression. The load has a mass of 40 kg .

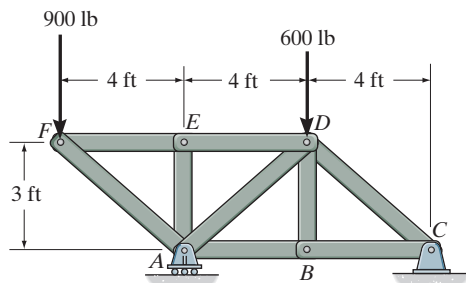
***6-21.** Determine the largest mass m of the suspended block so that the force in any member does not exceed 30 kN (T) or 25 kN (C).



Probs. 6-20/21

6-18. Determine the force in each member of the truss, and state if the members are in tension or compression.

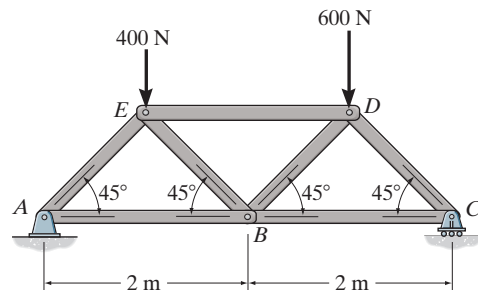
6-19. The truss is fabricated using members having a weight of 10 lb/ft . Remove the external forces from the truss, and determine the force in each member due to the weight of the members. State whether the members are in tension or compression. Assume that the total force acting on a joint is the sum of half of the weight of every member connected to the joint.



Probs. 6-18/19

6-22. Determine the force in each member of the truss, and state if the members are in tension or compression.

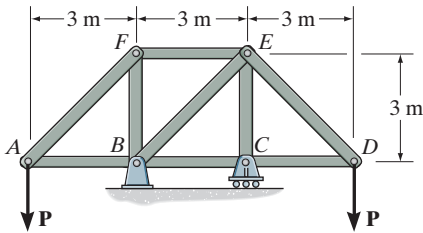
6-23. The truss is fabricated using uniform members having a mass of 5 kg/m . Remove the external forces from the truss, and determine the force in each member due to the weight of the truss. State whether the members are in tension or compression. Assume that the total force acting on a joint is the sum of half of the weight of every member connected to the joint.



Probs. 6-22/23

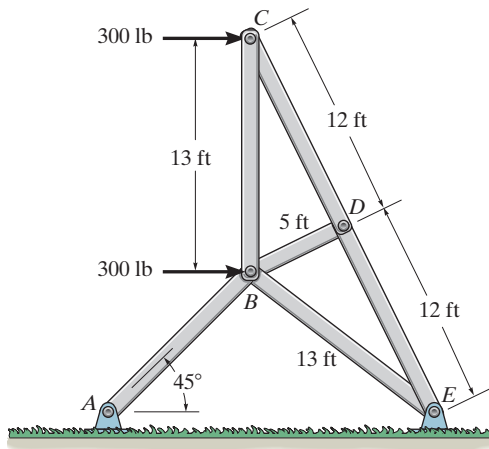
***6-24.** Determine the force in each member of the truss, and state if the members are in tension or compression. Set $P = 4 \text{ kN}$.

•6-25. Determine the greatest force P that can be applied to the truss so that none of the members are subjected to a force exceeding either 1.5 kN in tension or 1 kN in compression.



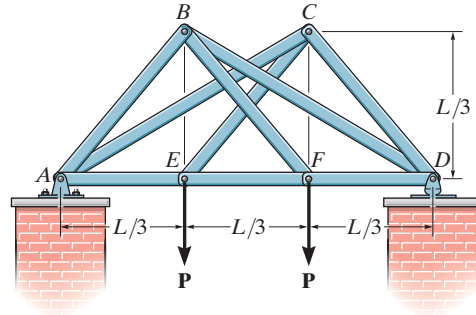
Probs. 6-24/25

6-26. A sign is subjected to a wind loading that exerts horizontal forces of 300 lb on joints B and C of one of the side supporting trusses. Determine the force in each member of the truss and state if the members are in tension or compression.



Prob. 6-26

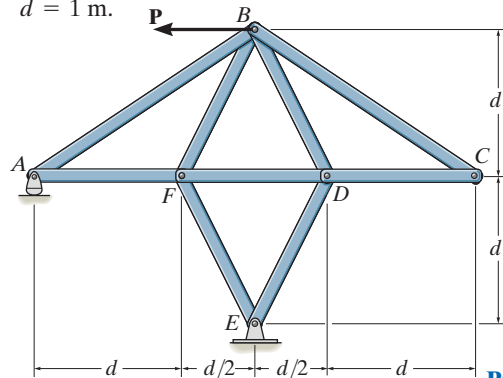
6-27. Determine the force in each member of the double scissors truss in terms of the load P and state if the members are in tension or compression.



Prob. 6-27

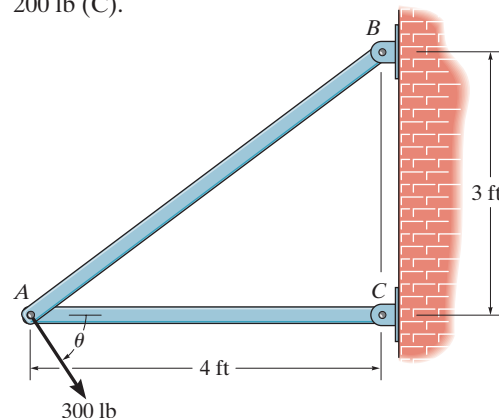
***6-28.** Determine the force in each member of the truss in terms of the load P , and indicate whether the members are in tension or compression.

•6-29. If the maximum force that any member can support is 4 kN in tension and 3 kN in compression, determine the maximum force P that can be applied at joint B . Take $d = 1 \text{ m}$.



Probs. 6-28/29

6-30. The two-member truss is subjected to the force of 300 lb . Determine the range of θ for application of the load so that the force in either member does not exceed 400 lb (T) or 200 lb (C).



Prob. 6-30

6.4 The Method of Sections

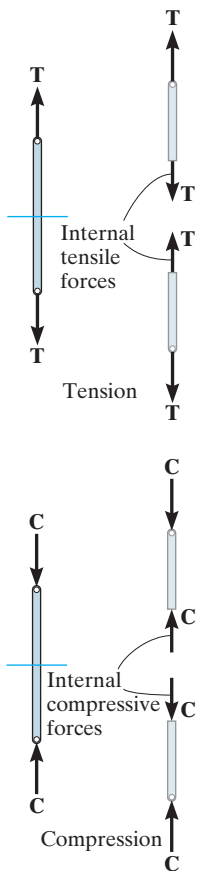
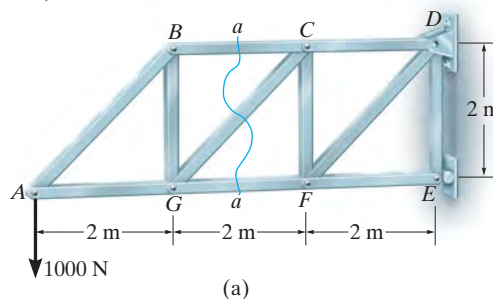


Fig. 6-14

When we need to find the force in only a few members of a truss, we can analyze the truss using the *method of sections*. It is based on the principle that if the truss is in equilibrium then any segment of the truss is also in equilibrium. For example, consider the two truss members shown on the left in Fig. 6-14. If the forces within the members are to be determined, then an imaginary section, indicated by the blue line, can be used to cut each member into two parts and thereby “expose” each internal force as “external” to the free-body diagrams shown on the right. Clearly, it can be seen that equilibrium requires that the member in tension (T) be subjected to a “pull,” whereas the member in compression (C) is subjected to a “push.”

The method of sections can also be used to “cut” or section the members of an entire truss. If the section passes through the truss and the free-body diagram of either of its two parts is drawn, we can then apply the equations of equilibrium to that part to determine the member forces at the “cut section.” Since only *three* independent equilibrium equations ($\Sigma F_x = 0$, $\Sigma F_y = 0$, $\Sigma M_O = 0$) can be applied to the free-body diagram of any segment, then we should try to select a section that, in general, passes through not more than *three* members in which the forces are unknown. For example, consider the truss in Fig. 6-15a. If the forces in members *BC*, *GC*, and *GF* are to be determined, then section *aa* would be appropriate. The free-body diagrams of the two segments are shown in Figs. 6-15b and 6-15c. Note that the line of action of each member force is specified from the *geometry* of the truss, since the force in a member is along its axis. Also, the member forces acting on one part of the truss are equal but opposite to those acting on the other part—Newton’s third law. Members *BC* and *GC* are assumed to be in *tension* since they are subjected to a “pull,” whereas *GF* in *compression* since it is subjected to a “push.”

The three unknown member forces \mathbf{F}_{BC} , \mathbf{F}_{GC} , and \mathbf{F}_{GF} can be obtained by applying the three equilibrium equations to the free-body diagram in Fig. 6-15b. If, however, the free-body diagram in Fig. 6-15c is considered, the three support reactions \mathbf{D}_x , \mathbf{D}_y and \mathbf{E}_x will have to be known, because only three equations of equilibrium are available. (This, of course, is done in the usual manner by considering a free-body diagram of the *entire truss*.)



When applying the equilibrium equations, we should carefully consider ways of writing the equations so as to yield a *direct solution* for each of the unknowns, rather than having to solve simultaneous equations. For example, using the truss segment in Fig. 6–15*b* and summing moments about *C* would yield a direct solution for \mathbf{F}_{GF} since \mathbf{F}_{BC} and \mathbf{F}_{GC} create zero moment about *C*. Likewise, \mathbf{F}_{BC} can be directly obtained by summing moments about *G*. Finally, \mathbf{F}_{GC} can be found directly from a force summation in the vertical direction since \mathbf{F}_{GF} and \mathbf{F}_{BC} have no vertical components. This ability to *determine directly* the force in a particular truss member is one of the main advantages of using the method of sections.*

As in the method of joints, there are two ways in which we can determine the correct sense of an unknown member force:

- The correct sense of an unknown member force can in many cases be determined “by inspection.” For example, \mathbf{F}_{BC} is a tensile force as represented in Fig. 6–15*b* since moment equilibrium about *G* requires that \mathbf{F}_{BC} create a moment opposite to that of the 1000-N force. Also, \mathbf{F}_{GC} is tensile since its vertical component must balance the 1000-N force which acts downward. In more complicated cases, the sense of an unknown member force may be *assumed*. If the solution yields a *negative* scalar, it indicates that the force’s sense is *opposite* to that shown on the free-body diagram.
- *Always assume that the unknown member forces at the cut section are tensile forces, i.e., “pulling” on the member. By doing this, the numerical solution of the equilibrium equations will yield positive scalars for members in tension and negative scalars for members in compression.*

*Notice that if the method of joints were used to determine, say, the force in member *GC*, it would be necessary to analyze joints *A*, *B*, and *G* in sequence.

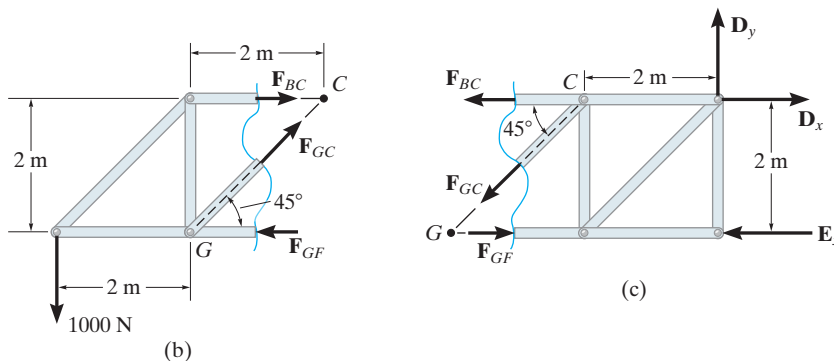
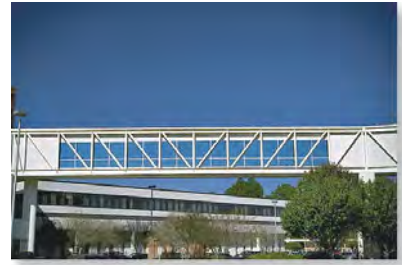


Fig. 6–15



The forces in selected members of this Pratt truss can readily be determined using the method of sections.



Simple trusses are often used in the construction of large cranes in order to reduce the weight of the boom and tower.

Procedure for Analysis

The forces in the members of a truss may be determined by the method of sections using the following procedure.

Free-Body Diagram.

- Make a decision on how to “cut” or section the truss through the members where forces are to be determined.
- Before isolating the appropriate section, it may first be necessary to determine the truss’s support reactions. If this is done then the three equilibrium equations will be available to solve for member forces at the section.
- Draw the free-body diagram of that segment of the sectioned truss which has the least number of forces acting on it.
- Use one of the two methods described above for establishing the sense of the unknown member forces.

Equations of Equilibrium.

- Moments should be summed about a point that lies at the intersection of the lines of action of two unknown forces, so that the third unknown force can be determined directly from the moment equation.
- If two of the unknown forces are *parallel*, forces may be summed *perpendicular* to the direction of these unknowns to determine *directly* the third unknown force.

EXAMPLE 6.5

Determine the force in members GE , GC , and BC of the truss shown in Fig. 6–16a. Indicate whether the members are in tension or compression.

SOLUTION

Section aa in Fig. 6–16a has been chosen since it cuts through the *three* members whose forces are to be determined. In order to use the method of sections, however, it is *first* necessary to determine the external reactions at A or D . Why? A free-body diagram of the entire truss is shown in Fig. 6–16b. Applying the equations of equilibrium, we have

$$\begin{aligned} \rightarrow \Sigma F_x = 0; \quad & 400 \text{ N} - A_x = 0 & A_x = 400 \text{ N} \\ \zeta + \Sigma M_A = 0; \quad & -1200 \text{ N}(8 \text{ m}) - 400 \text{ N}(3 \text{ m}) + D_y(12 \text{ m}) = 0 \\ & D_y = 900 \text{ N} \\ + \uparrow \Sigma F_y = 0; \quad & A_y - 1200 \text{ N} + 900 \text{ N} = 0 & A_y = 300 \text{ N} \end{aligned}$$

Free-Body Diagram. For the analysis the free-body diagram of the left portion of the sectioned truss will be used, since it involves the least number of forces, Fig. 6–16c.

Equations of Equilibrium. Summing moments about point G eliminates F_{GE} and F_{GC} and yields a direct solution for F_{BC} .

$$\begin{aligned} \zeta + \Sigma M_G = 0; \quad & -300 \text{ N}(4 \text{ m}) - 400 \text{ N}(3 \text{ m}) + F_{BC}(3 \text{ m}) = 0 \\ & F_{BC} = 800 \text{ N} \quad (\text{T}) \quad \text{Ans.} \end{aligned}$$

In the same manner, by summing moments about point C we obtain a direct solution for F_{GE} .

$$\begin{aligned} \zeta + \Sigma M_C = 0; \quad & -300 \text{ N}(8 \text{ m}) + F_{GE}(3 \text{ m}) = 0 \\ & F_{GE} = 800 \text{ N} \quad (\text{C}) \quad \text{Ans.} \end{aligned}$$

Since F_{BC} and F_{GE} have no vertical components, summing forces in the y direction directly yields F_{GC} , i.e.,

$$\begin{aligned} + \uparrow \Sigma F_y = 0; \quad & 300 \text{ N} - \frac{3}{5}F_{GC} = 0 \\ & F_{GC} = 500 \text{ N} \quad (\text{T}) \quad \text{Ans.} \end{aligned}$$

NOTE: Here it is possible to tell, by inspection, the proper direction for each unknown member force. For example, $\Sigma M_C = 0$ requires F_{GE} to be *compressive* because it must balance the moment of the 300-N force about C .

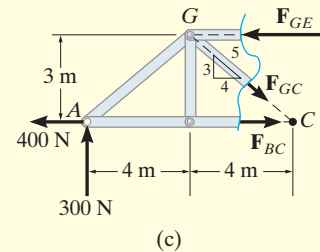
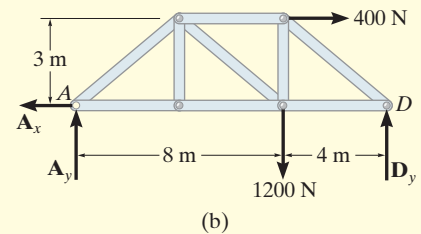
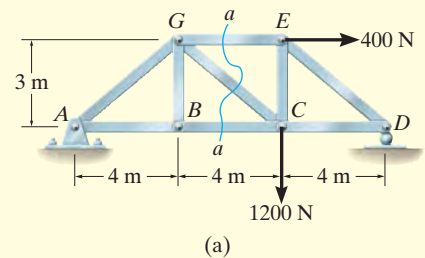


Fig. 6–16

EXAMPLE 6.6

Determine the force in member CF of the truss shown in Fig. 6–17a. Indicate whether the member is in tension or compression. Assume each member is pin connected.

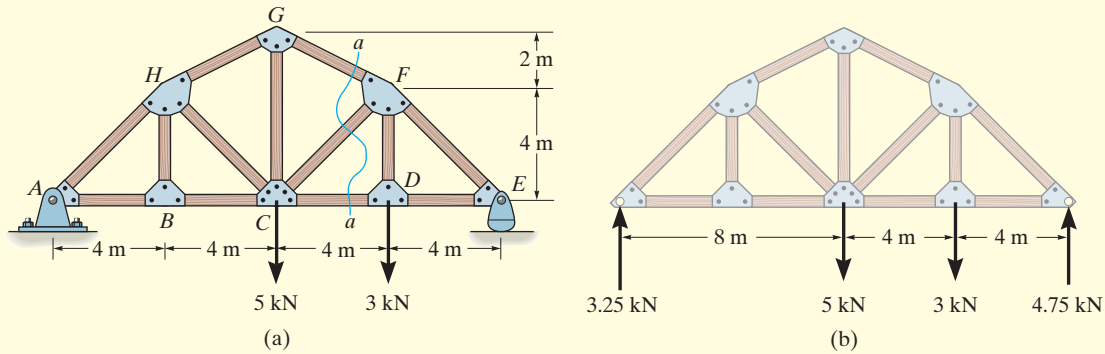
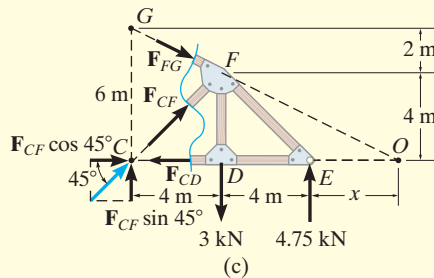


Fig. 6–17

SOLUTION

Free-Body Diagram. Section aa in Fig. 6–17a will be used since this section will “expose” the internal force in member CF as “external” on the free-body diagram of either the right or left portion of the truss. It is first necessary, however, to determine the support reactions on either the left or right side. Verify the results shown on the free-body diagram in Fig. 6–17b.



The free-body diagram of the right portion of the truss, which is the easiest to analyze, is shown in Fig. 6–17c. There are three unknowns, F_{FG} , F_{CF} , and F_{CD} .

Equations of Equilibrium. We will apply the moment equation about point O in order to eliminate the two unknowns F_{FG} and F_{CD} . The location of point O measured from E can be determined from proportional triangles, i.e., $4/(4+x) = 6/(8+x)$, $x = 4$ m. Or, stated in another manner, the slope of member GF has a drop of 2 m to a horizontal distance of 4 m. Since FD is 4 m, Fig. 6–17c, then from D to O the distance must be 8 m.

An easy way to determine the moment of \mathbf{F}_{CF} about point O is to use the principle of transmissibility and slide \mathbf{F}_{CF} to point C , and then resolve \mathbf{F}_{CF} into its two rectangular components. We have

$$\zeta + \sum M_O = 0;$$

$$-F_{CF} \sin 45^\circ (12 \text{ m}) + (3 \text{ kN})(8 \text{ m}) - (4.75 \text{ kN})(4 \text{ m}) = 0$$

$$F_{CF} = 0.589 \text{ kN} \quad (C)$$

Ans.

EXAMPLE 6.7

Determine the force in member EB of the roof truss shown in Fig. 6–18a. Indicate whether the member is in tension or compression.

SOLUTION

Free-Body Diagrams. By the method of sections, any imaginary section that cuts through EB , Fig. 6–18a, will also have to cut through three other members for which the forces are unknown. For example, section aa cuts through ED , EB , FB , and AB . If a free-body diagram of the left side of this section is considered, Fig. 6–18b, it is possible to obtain F_{ED} by summing moments about B to eliminate the other three unknowns; however, F_{EB} cannot be determined from the remaining two equilibrium equations. One possible way of obtaining F_{EB} is first to determine F_{ED} from section aa , then use this result on section bb , Fig. 6–18a, which is shown in Fig. 6–18c. Here the force system is concurrent and our sectioned free-body diagram is the same as the free-body diagram for the joint at E .

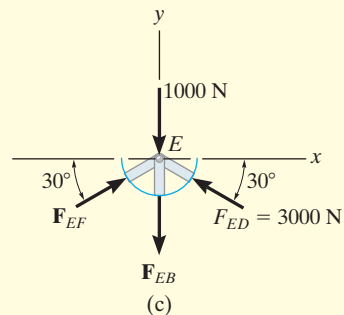
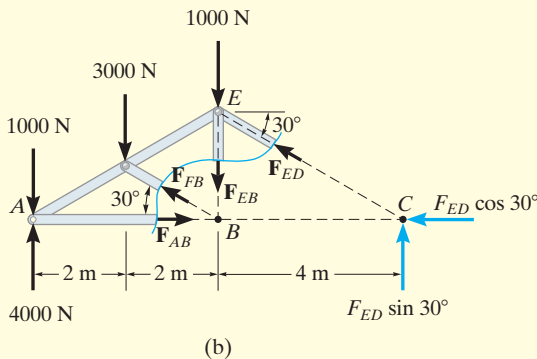
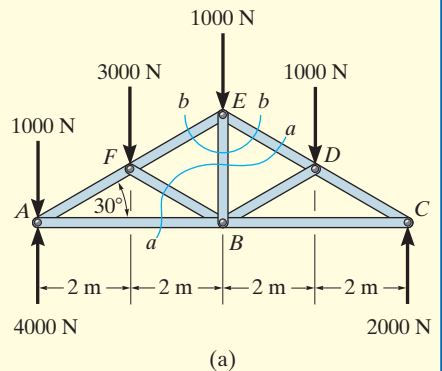


Fig. 6–18

Equations of Equilibrium. In order to determine the moment of F_{ED} about point B , Fig. 6–18b, we will use the principle of transmissibility and slide the force to point C and then resolve it into its rectangular components as shown. Therefore,

$$\begin{aligned} \zeta + \sum M_B = 0; \quad & 1000 \text{ N}(4 \text{ m}) + 3000 \text{ N}(2 \text{ m}) - 4000 \text{ N}(4 \text{ m}) \\ & + F_{ED} \sin 30^\circ(4 \text{ m}) = 0 \\ & F_{ED} = 3000 \text{ N} \quad (\text{C}) \end{aligned}$$

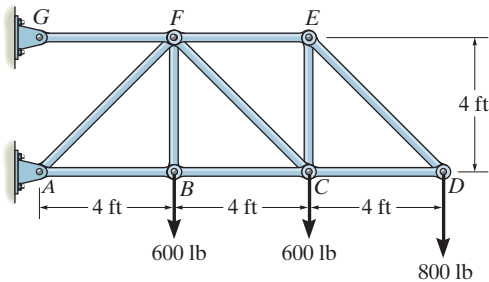
Considering now the free-body diagram of section bb , Fig. 6–18c, we have

$$\begin{aligned} \pm \sum F_x = 0; \quad & F_{EF} \cos 30^\circ - 3000 \cos 30^\circ \text{ N} = 0 \\ & F_{EF} = 3000 \text{ N} \quad (\text{C}) \\ + \uparrow \sum F_y = 0; \quad & 2(3000 \sin 30^\circ \text{ N}) - 1000 \text{ N} - F_{EB} = 0 \\ & F_{EB} = 2000 \text{ N} \quad (\text{T}) \end{aligned}$$

Ans.

FUNDAMENTAL PROBLEMS

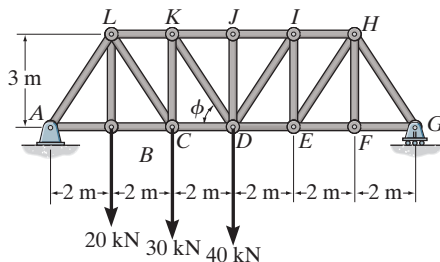
F6-7. Determine the force in members BC , CF , and FE . State if the members are in tension or compression.



F6-7

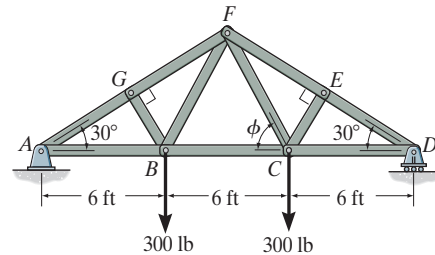
F6-8. Determine the force in members LK , KC , and CD of the Pratt truss. State if the members are in tension or compression.

F6-9. Determine the force in members KJ , KD , and CD of the Pratt truss. State if the members are in tension or compression.



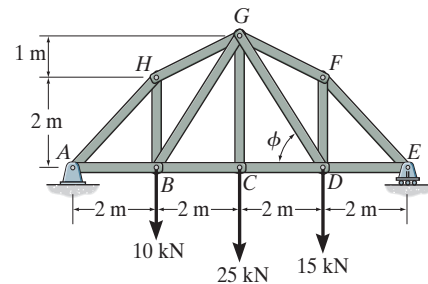
F6-8/9

F6-10. Determine the force in members EF , CF , and BC of the truss. State if the members are in tension or compression.



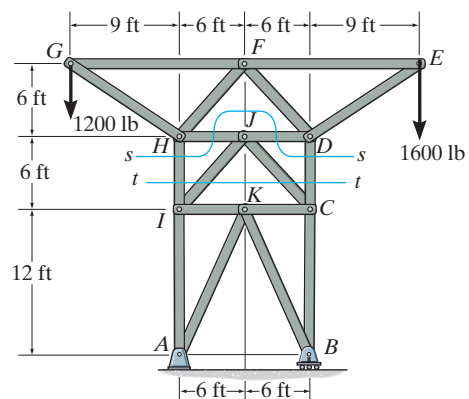
F6-10

F6-11. Determine the force in members GF , GD , and CD of the truss. State if the members are in tension or compression.



F6-11

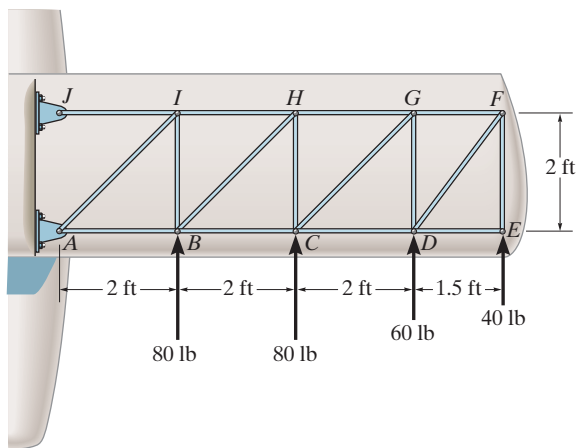
F6-12. Determine the force in members DC , HI , and JI of the truss. State if the members are in tension or compression.



F6-12

PROBLEMS

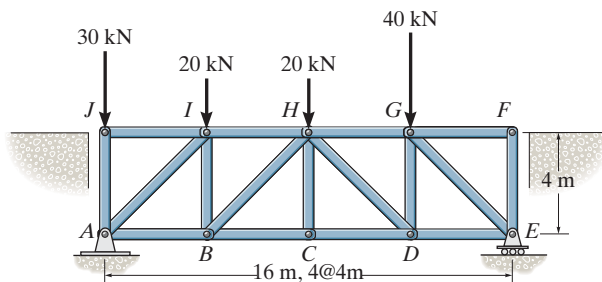
6-31. The internal drag truss for the wing of a light airplane is subjected to the forces shown. Determine the force in members BC , BH , and HC , and state if the members are in tension or compression.



Prob. 6-31

***6-32.** The *Howe bridge truss* is subjected to the loading shown. Determine the force in members HD , CD , and GD , and state if the members are in tension or compression.

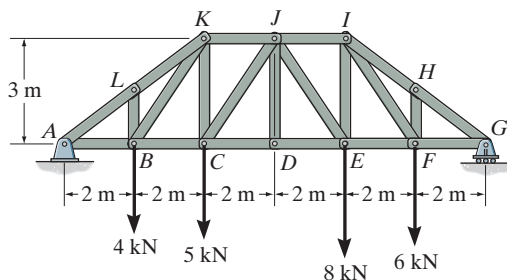
•6-33. The *Howe bridge truss* is subjected to the loading shown. Determine the force in members HI , HB , and BC , and state if the members are in tension or compression.



Probs. 6-32/33

6-34. Determine the force in members JK , CJ , and CD of the truss, and state if the members are in tension or compression.

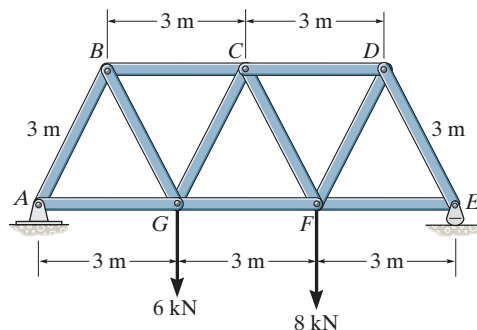
6-35. Determine the force in members HI , FI , and EF of the truss, and state if the members are in tension or compression.



Probs. 6-34/35

***6-36.** Determine the force in members BC , CG , and GF of the *Warren truss*. Indicate if the members are in tension or compression.

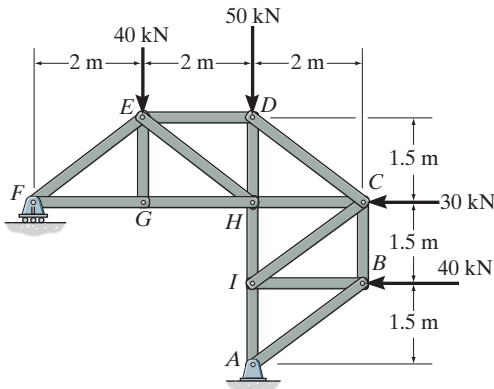
•6-37. Determine the force in members CD , CF , and FG of the *Warren truss*. Indicate if the members are in tension or compression.



Probs. 6-36/37

6-38. Determine the force in members DC , HC , and HI of the truss, and state if the members are in tension or compression.

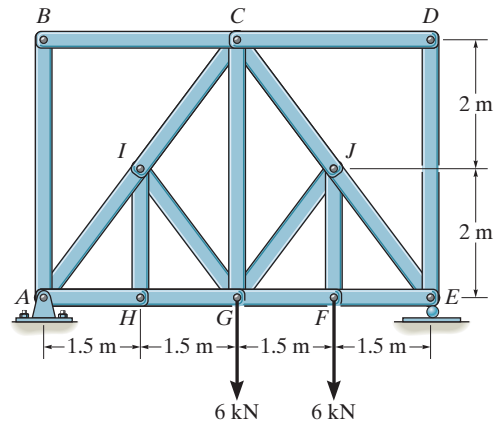
6-39. Determine the force in members ED , EH , and GH of the truss, and state if the members are in tension or compression.



Probs. 6-38/39

6-42. Determine the force in members IC and CG of the truss and state if these members are in tension or compression. Also, indicate all zero-force members.

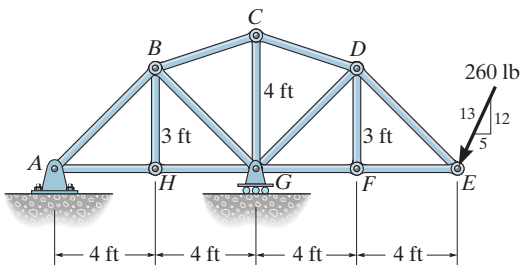
6-43. Determine the force in members JE and GF of the truss and state if these members are in tension or compression. Also, indicate all zero-force members.



Probs. 6-42/43

***6-40.** Determine the force in members GF , GD , and CD of the truss and state if the members are in tension or compression.

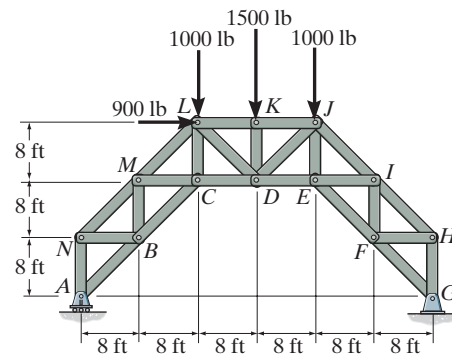
***6-41.** Determine the force in members BG , BC , and HG of the truss and state if the members are in tension or compression.



Probs. 6-40/41

***6-44.** Determine the force in members JI , EF , EI , and JE of the truss, and state if the members are in tension or compression.

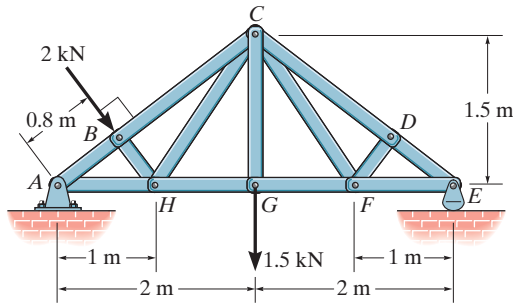
***6-45.** Determine the force in members CD , LD , and KL of the truss, and state if the members are in tension or compression.



Probs. 6-44/45

6-46. Determine the force developed in members BC and CH of the roof truss and state if the members are in tension or compression.

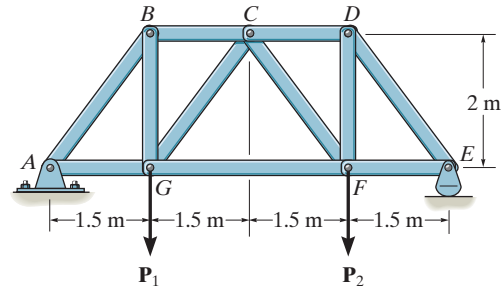
6-47. Determine the force in members CD and GF of the truss and state if the members are in tension or compression. Also indicate all zero-force members.



Probs. 6-46/47

6-50. Determine the force in each member of the truss and state if the members are in tension or compression. Set $P_1 = 20$ kN, $P_2 = 10$ kN.

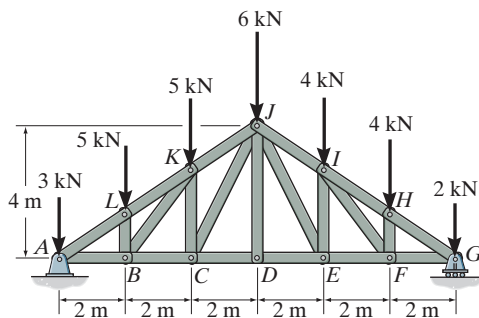
6-51. Determine the force in each member of the truss and state if the members are in tension or compression. Set $P_1 = 40$ kN, $P_2 = 20$ kN.



Probs. 6-50/51

***6-48.** Determine the force in members IJ , EJ , and CD of the *Howe* truss, and state if the members are in tension or compression.

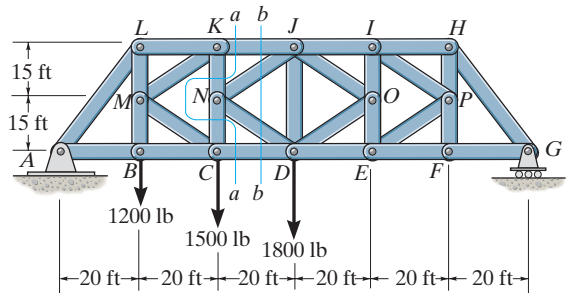
***6-49.** Determine the force in members KJ , KC , and BC of the *Howe* truss, and state if the members are in tension or compression.



Probs. 6-48/49

***6-52.** Determine the force in members KJ , NJ , ND , and CD of the *K truss*. Indicate if the members are in tension or compression. *Hint:* Use sections aa and bb .

***6-53.** Determine the force in members JI and DE of the *K truss*. Indicate if the members are in tension or compression.



Probs. 6-52/53

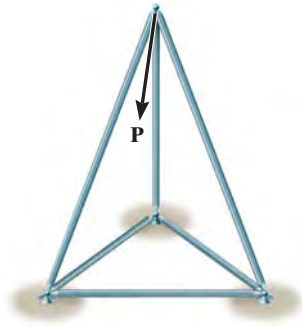
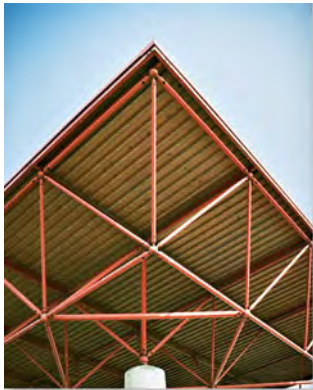


Fig. 6-19



Typical roof-supporting space truss. Notice the use of ball-and-socket joints for the connections



For economic reasons, large electrical transmission towers are often constructed using space trusses.

*6.5 Space Trusses

A *space truss* consists of members joined together at their ends to form a stable three-dimensional structure. The simplest form of a space truss is a *tetrahedron*, formed by connecting six members together, as shown in Fig. 6-19. Any additional members added to this basic element would be redundant in supporting the force **P**. A *simple space truss* can be built from this basic tetrahedral element by adding three additional members and a joint, and continuing in this manner to form a system of multiconnected tetrahedrons.

Assumptions for Design The members of a space truss may be treated as two-force members provided the external loading is applied at the joints and the joints consist of ball-and-socket connections. These assumptions are justified if the welded or bolted connections of the joined members intersect at a common point and the weight of the members can be neglected. In cases where the weight of a member is to be included in the analysis, it is generally satisfactory to apply it as a vertical force, half of its magnitude applied at each end of the member.

Procedure for Analysis

Either the method of joints or the method of sections can be used to determine the forces developed in the members of a simple space truss.

Method of Joints.

If the forces in *all* the members of the truss are to be determined, then the method of joints is most suitable for the analysis. Here it is necessary to apply the three equilibrium equations $\Sigma F_x = 0$, $\Sigma F_y = 0$, $\Sigma F_z = 0$ to the forces acting at each joint. Remember that the solution of many simultaneous equations can be avoided if the force analysis begins at a joint having at least one known force and at most three unknown forces. Also, if the three-dimensional geometry of the force system at the joint is hard to visualize, it is recommended that a Cartesian vector analysis be used for the solution.

Method of Sections.

If only a *few* member forces are to be determined, the method of sections can be used. When an imaginary section is passed through a truss and the truss is separated into two parts, the force system acting on one of the segments must satisfy the *six* equilibrium equations: $\Sigma F_x = 0$, $\Sigma F_y = 0$, $\Sigma F_z = 0$, $\Sigma M_x = 0$, $\Sigma M_y = 0$, $\Sigma M_z = 0$ (Eqs. 5-6). By proper choice of the section and axes for summing forces and moments, many of the unknown member forces in a space truss can be computed *directly*, using a single equilibrium equation.

EXAMPLE 6.8

Determine the forces acting in the members of the space truss shown in Fig. 6–20*a*. Indicate whether the members are in tension or compression.

SOLUTION

Since there are one known force and three unknown forces acting at joint *A*, the force analysis of the truss will begin at this joint.

Joint A. (Fig. 6–20*b*). Expressing each force acting on the free-body diagram of joint *A* as a Cartesian vector, we have

$$\mathbf{P} = \{-4\mathbf{j}\} \text{ kN}, \quad \mathbf{F}_{AB} = F_{AB}\mathbf{j}, \quad \mathbf{F}_{AC} = -F_{AC}\mathbf{k},$$

$$\mathbf{F}_{AE} = F_{AE} \left(\frac{\mathbf{r}_{AE}}{r_{AE}} \right) = F_{AE}(0.577\mathbf{i} + 0.577\mathbf{j} - 0.577\mathbf{k})$$

For equilibrium,

$$\begin{aligned} \Sigma \mathbf{F} &= \mathbf{0}; & \mathbf{P} + \mathbf{F}_{AB} + \mathbf{F}_{AC} + \mathbf{F}_{AE} &= \mathbf{0} \\ -4\mathbf{j} + F_{AB}\mathbf{j} - F_{AC}\mathbf{k} + 0.577F_{AE}\mathbf{i} + 0.577F_{AE}\mathbf{j} - 0.577F_{AE}\mathbf{k} &= \mathbf{0} \\ \Sigma F_x &= 0; & 0.577F_{AE} &= 0 \\ \Sigma F_y &= 0; & -4 + F_{AB} + 0.577F_{AE} &= 0 \\ \Sigma F_z &= 0; & -F_{AC} - 0.577F_{AE} &= 0 \\ & & F_{AC} = F_{AE} = 0 & \text{Ans.} \\ & & F_{AB} = 4 \text{ kN (T)} & \text{Ans.} \end{aligned}$$

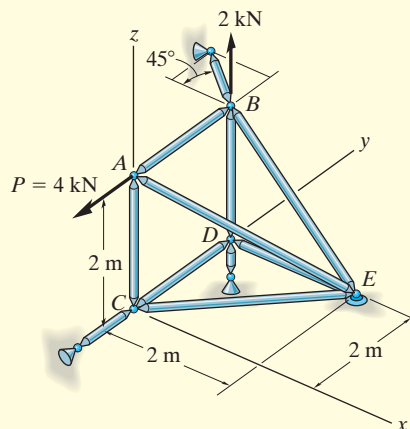
Since F_{AB} is known, joint *B* can be analyzed next.

Joint B. (Fig. 6–20*c*).

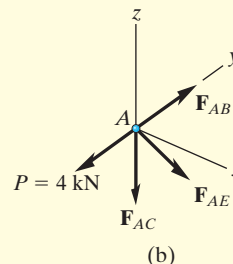
$$\begin{aligned} \Sigma F_x &= 0; & -R_B \cos 45^\circ + 0.707F_{BE} &= 0 \\ \Sigma F_y &= 0; & -4 + R_B \sin 45^\circ &= 0 \\ \Sigma F_z &= 0; & 2 + F_{BD} - 0.707F_{BE} &= 0 \\ R_B = F_{BE} &= 5.66 \text{ kN (T)}, & F_{BD} &= 2 \text{ kN (C)} \quad \text{Ans.} \end{aligned}$$

The *scalar* equations of equilibrium may also be applied directly to the forces acting on the free-body diagrams of joints *D* and *C* since the force components are easily determined. Show that

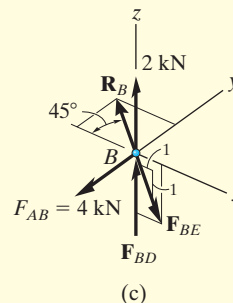
$$F_{DE} = F_{DC} = F_{CE} = 0 \quad \text{Ans.}$$



(a)



(b)



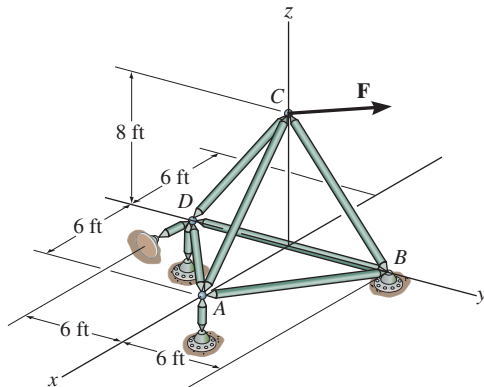
(c)

Fig. 6–20

PROBLEMS

6-54. The space truss supports a force $\mathbf{F} = \{-500\mathbf{i} + 600\mathbf{j} + 400\mathbf{k}\}$ lb. Determine the force in each member, and state if the members are in tension or compression.

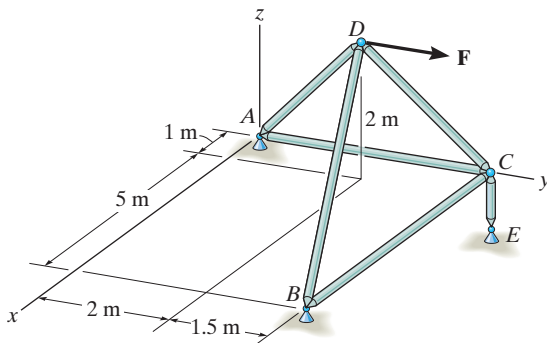
6-55. The space truss supports a force $\mathbf{F} = \{600\mathbf{i} + 450\mathbf{j} - 750\mathbf{k}\}$ lb. Determine the force in each member, and state if the members are in tension or compression.



Probs. 6-54/55

***6-56.** Determine the force in each member of the space truss and state if the members are in tension or compression. The truss is supported by ball-and-socket joints at A , B , and E . Set $\mathbf{F} = \{800\mathbf{j}\}$ N. *Hint:* The support reaction at E acts along member EC . Why?

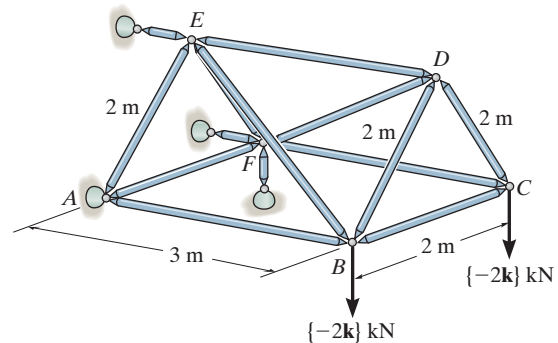
•6-57. Determine the force in each member of the space truss and state if the members are in tension or compression. The truss is supported by ball-and-socket joints at A , B , and E . Set $\mathbf{F} = \{-200\mathbf{i} + 400\mathbf{j}\}$ N. *Hint:* The support reaction at E acts along member EC . Why?



Probs. 6-56/57

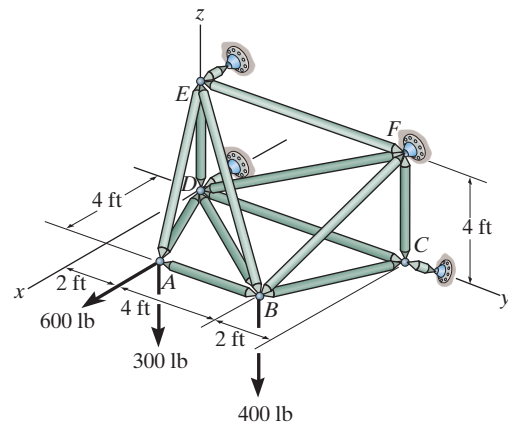
6-58. Determine the force in members BE , DF , and BC of the space truss and state if the members are in tension or compression.

6-59. Determine the force in members AB , CD , ED , and CF of the space truss and state if the members are in tension or compression.



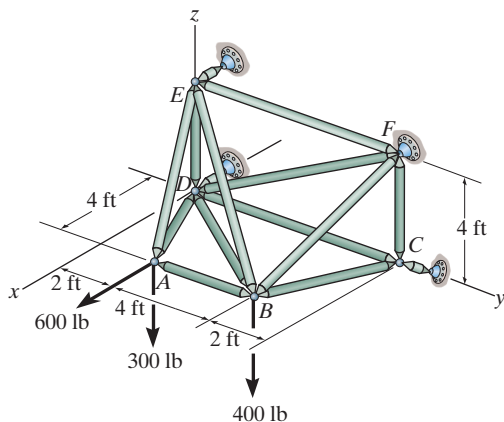
Probs. 6-58/59

***6-60.** Determine the force in the members AB , AE , BC , BF , BD , and BE of the space truss, and state if the members are in tension or compression.



Prob. 6-60

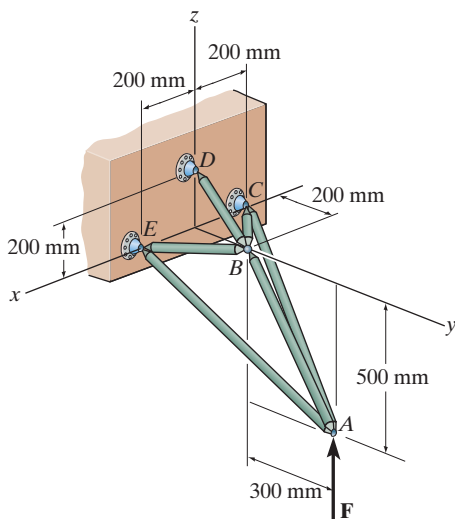
•6–61. Determine the force in the members EF , DF , CF , and CD of the space truss, and state if the members are in tension or compression.



Prob. 6–61

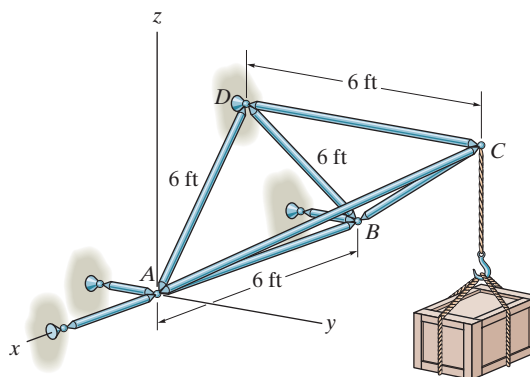
6–62. If the truss supports a force of $F = 200$ N, determine the force in each member and state if the members are in tension or compression.

6–63. If each member of the space truss can support a maximum force of 600 N in compression and 800 N in tension, determine the greatest force F the truss can support.



Probs. 6–62/63

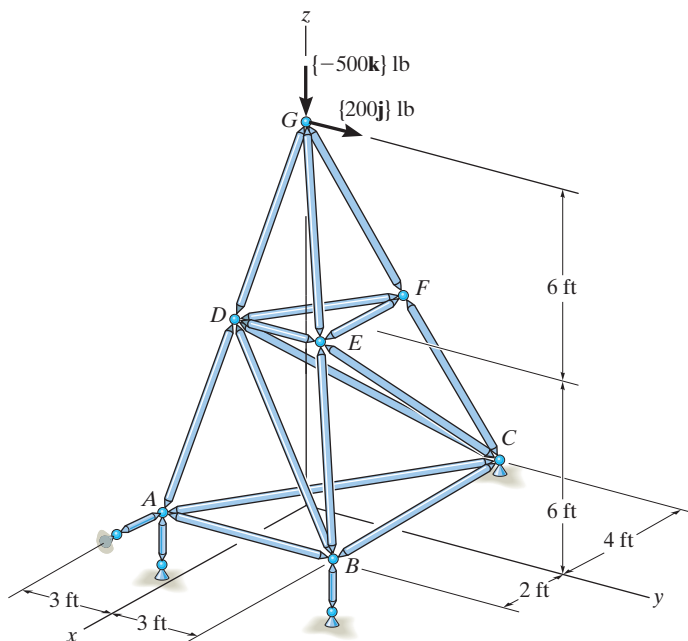
*6–64. Determine the force developed in each member of the space truss and state if the members are in tension or compression. The crate has a weight of 150 lb.



Prob. 6–64

•6–65. Determine the force in members FE and ED of the space truss and state if the members are in tension or compression. The truss is supported by a ball-and-socket joint at C and short links at A and B .

6–66. Determine the force in members GD , GE , and FD of the space truss and state if the members are in tension or compression.



Probs. 6–65/66



This large crane is a typical example of a framework.

6.6 Frames and Machines

Frames and machines are two types of structures which are often composed of pin-connected *multiforce members*, i.e., members that are subjected to more than two forces. *Frames* are used to support loads, whereas *machines* contain moving parts and are designed to transmit and alter the effect of forces. Provided a frame or machine contains no more supports or members than are necessary to prevent its collapse, the forces acting at the joints and supports can be determined by applying the equations of equilibrium to each of its members. Once these forces are obtained, it is then possible to *design* the size of the members, connections, and supports using the theory of mechanics of materials and an appropriate engineering design code.

Free-Body Diagrams. In order to determine the forces acting at the joints and supports of a frame or machine, the structure must be disassembled and the free-body diagrams of its parts must be drawn. The following important points *must* be observed:

- Isolate each part by drawing its *outlined shape*. Then show all the forces and/or couple moments that act on the part. Make sure to *label* or *identify* each known and unknown force and couple moment with reference to an established x, y coordinate system. Also, indicate any dimensions used for taking moments. Most often the equations of equilibrium are easier to apply if the forces are represented by their rectangular components. As usual, the sense of an unknown force or couple moment can be assumed.
- Identify all the two-force members in the structure and represent their free-body diagrams as having two equal but opposite collinear forces acting at their points of application. (See Sec. 5.4.) By recognizing the two-force members, we can avoid solving an unnecessary number of equilibrium equations.
- Forces common to any two *contacting* members act with equal magnitudes but opposite sense on the respective members. If the two members are treated as a “*system*” of *connected members*, then these forces are “*internal*” and are *not shown* on the *free-body diagram of the system*; however, if the free-body diagram of *each member* is drawn, the forces are “*external*” and *must* be shown on each of the free-body diagrams.

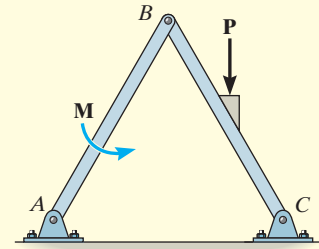
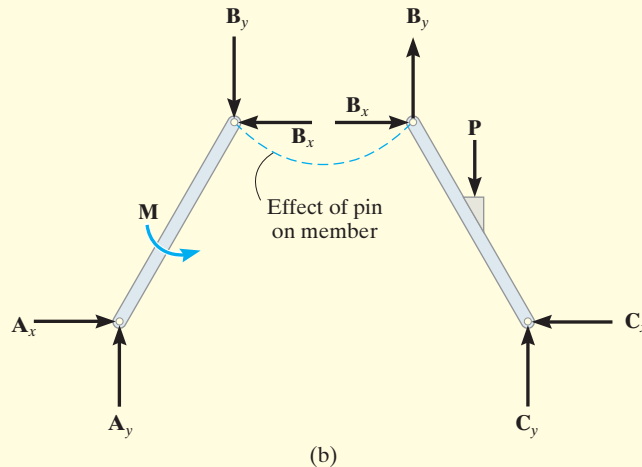


Common tools such as these pliers act as simple machines. Here the applied force on the handles creates a much larger force at the jaws.

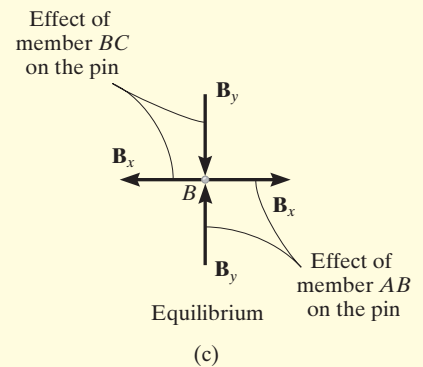
The following examples graphically illustrate how to draw the free-body diagrams of a dismembered frame or machine. In all cases, the weight of the members is neglected.

EXAMPLE 6.9

For the frame shown in Fig. 6–21*a*, draw the free-body diagram of (a) each member, (b) the pin at *B*, and (c) the two members connected together.



(a)



(c)

SOLUTION

Part (a). By inspection, members *BA* and *BC* are *not* two-force members. Instead, as shown on the free-body diagrams, Fig. 6–21*b*, *BC* is subjected to a force from the pins at *B* and *C* and the external force **P**. Likewise, *AB* is subjected to a force from the pins at *A* and *B* and the external couple moment **M**. The pin forces are represented by their *x* and *y* components.

Part (b). The pin at *B* is subjected to only *two forces*, i.e., the force of member *BC* and the force of member *AB*. For *equilibrium* these forces or their respective components must be equal but opposite, Fig. 6–21*c*. Realize that Newton's third law is applied between the pin and its connected members, i.e., the effect of the pin on the two members, Fig. 6–21*b*, and the equal but opposite effect of the two members on the pin, Fig. 6–21*c*.

Part (c). The free-body diagram of both members connected together, yet removed from the supporting pins at *A* and *C*, is shown in Fig. 6–21*d*. The force components B_x and B_y are *not shown* on this diagram since they are *internal forces* (Fig. 6–21*b*) and therefore cancel out. Also, to be consistent when later applying the equilibrium equations, the unknown force components at *A* and *C* must act in the *same sense* as those shown in Fig. 6–21*b*.

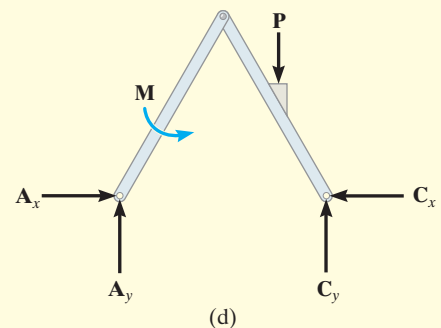
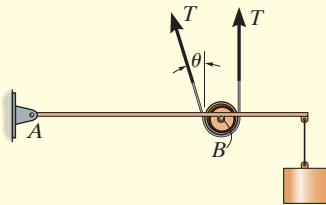


Fig. 6–21

EXAMPLE 6.10

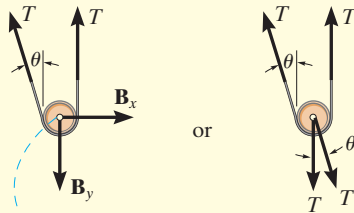
A constant tension in the conveyor belt is maintained by using the device shown in Fig. 6–22*a*. Draw the free-body diagrams of the frame and the cylinder that the belt surrounds. The suspended block has a weight of W .



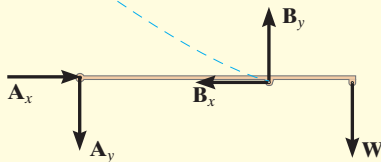
(b)



(a)



(c)



(d)

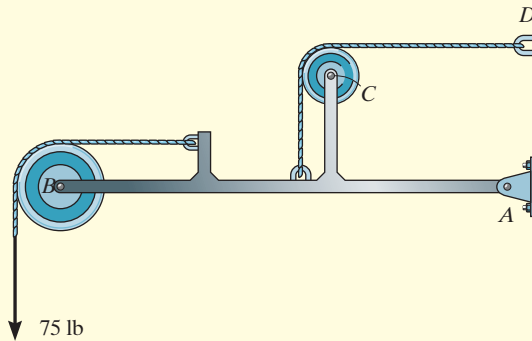
Fig. 6–22

SOLUTION

The idealized model of the device is shown in Fig. 6–22*b*. Here the angle θ is assumed to be known. From this model, the free-body diagrams of the cylinder and frame are shown in Figs. 6–22*c* and 6–22*d*, respectively. Note that the force that the pin at B exerts on the cylinder can be represented by either its horizontal and vertical components \mathbf{B}_x and \mathbf{B}_y , which can be determined by using the force equations of equilibrium applied to the cylinder, or by the two components T , which provide equal but opposite moments on the cylinder and thus keep it from turning. Also, realize that once the pin reactions at A have been determined, half of their values act on each side of the frame since pin connections occur on each side, Fig. 6–22*a*.

EXAMPLE 6.11

For the frame shown in Fig. 6–23a, draw the free-body diagrams of (a) the entire frame including the pulleys and cords, (b) the frame without the pulleys and cords, and (c) each of the pulleys.



(a)

SOLUTION

Part (a). When the entire frame including the pulleys and cords is considered, the interactions at the points where the pulleys and cords are connected to the frame become pairs of *internal* forces which cancel each other and therefore are not shown on the free-body diagram, Fig. 6–23b.

Part (b). When the cords and pulleys are removed, their effect *on the frame* must be shown, Fig. 6–23c.

Part (c). The force components B_x , B_y , C_x , C_y of the pins on the pulleys, Fig. 6–23d, are equal but opposite to the force components exerted by the pins on the frame, Fig. 6–23c. Why?

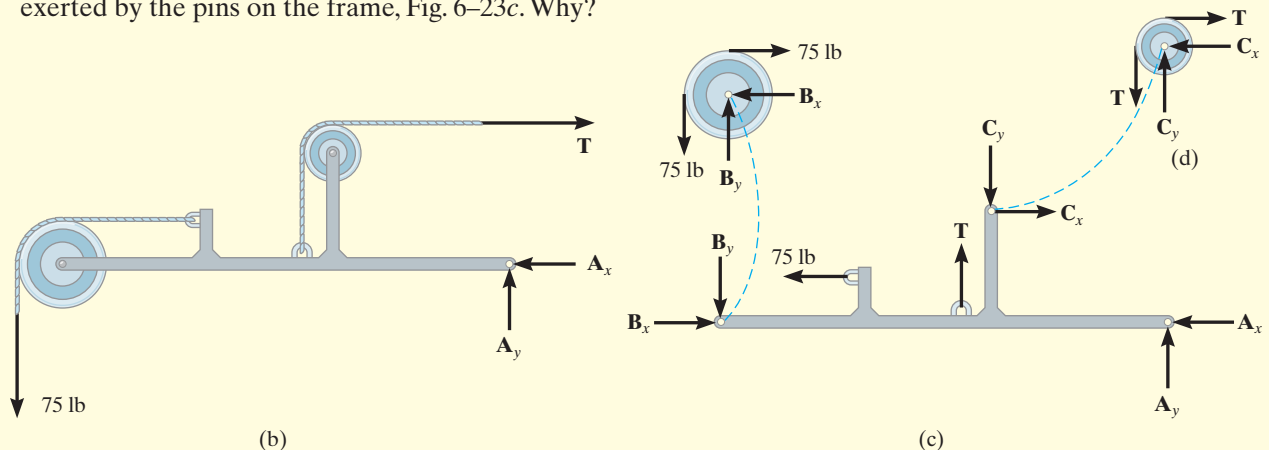


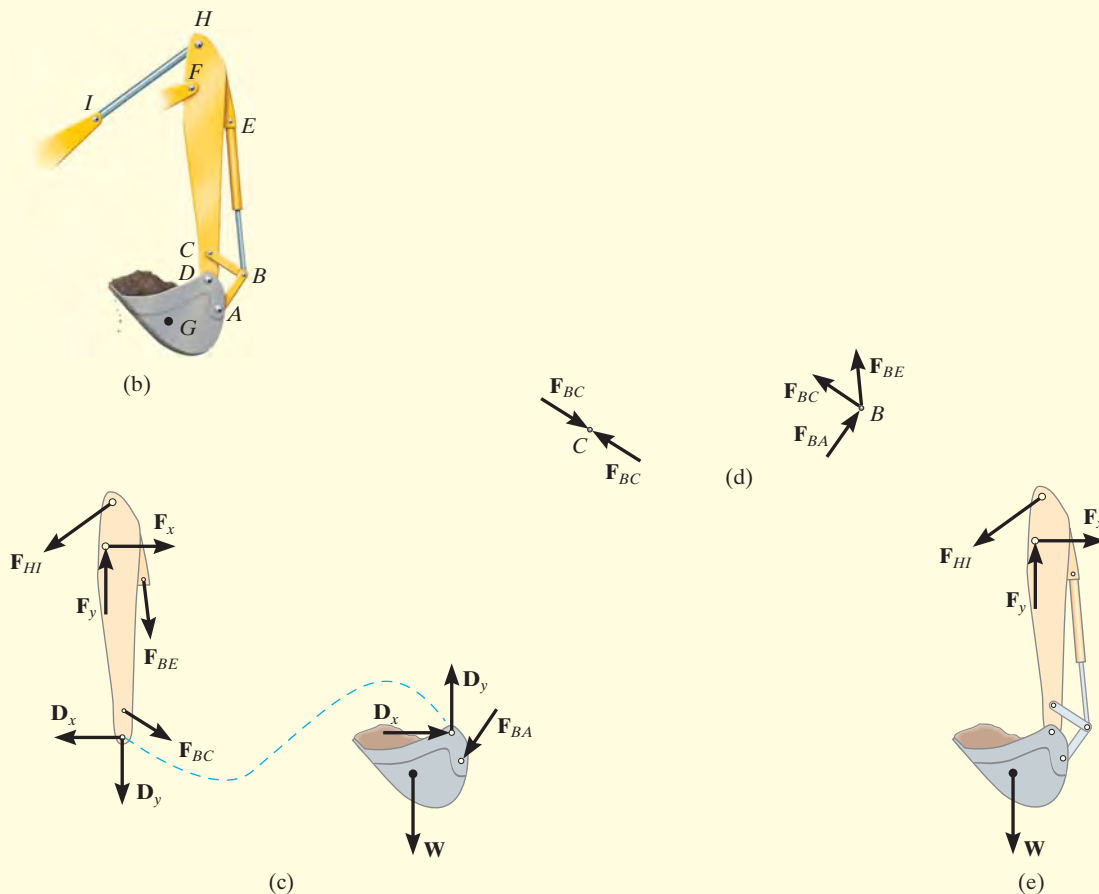
Fig. 6–23

EXAMPLE 6.12



(a)

Fig. 6-24



Draw the free-body diagrams of the bucket and the vertical boom of the backhoe shown in the photo, Fig. 6-24a. The bucket and its contents have a weight W . Neglect the weight of the members.

SOLUTION

The idealized model of the assembly is shown in Fig. 6-24b. By inspection, members AB , BC , BE , and HI are all two-force members since they are pin connected at their end points and no other forces act on them. The free-body diagrams of the bucket and the boom are shown in Fig. 6-24c. Note that pin C is subjected to only two forces, whereas the pin at B is subjected to three forces, Fig. 6-24d. These three forces are related by the two equations of force equilibrium applied to each pin. The free-body diagram of the entire assembly is shown in Fig. 6-24e.

EXAMPLE 6.13

Draw the free-body diagram of each part of the smooth piston and link mechanism used to crush recycled cans, which is shown in Fig. 6–25a.

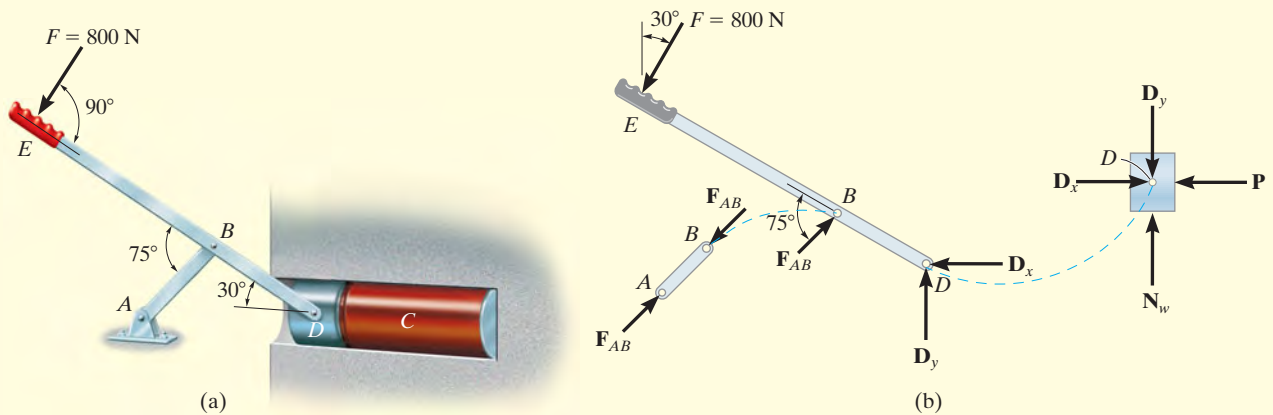
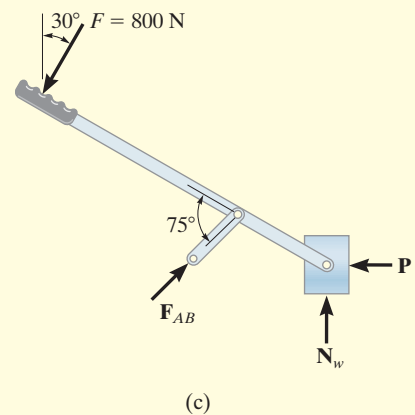


Fig. 6–25

SOLUTION

By inspection, member AB is a two-force member. The free-body diagrams of the parts are shown in Fig. 6–25b. Since the pins at B and D connect *only two parts together*, the forces there are shown as equal but opposite on the separate free-body diagrams of their connected members. In particular, four components of force act on the piston: D_x and D_y represent the effect of the pin (or lever EBD), N_w is the *resultant* force of the support, and P is the resultant compressive force caused by the can C .

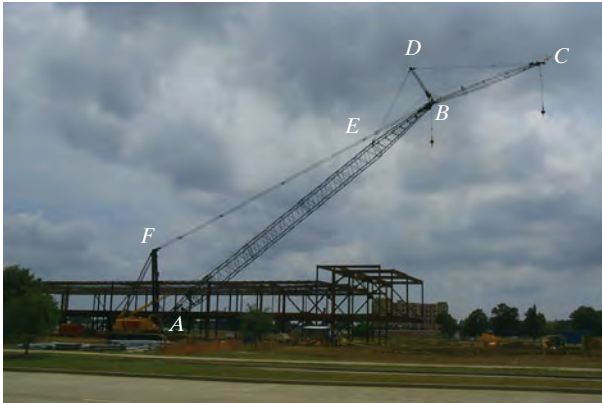
NOTE: A free-body diagram of the entire assembly is shown in Fig. 6–25c. Here the forces between the components are internal and are not shown on the free-body diagram.



Before proceeding, it is highly recommended that you cover the solutions to the previous examples and attempt to draw the requested free-body diagrams. When doing so, make sure the work is neat and that all the forces and couple moments are properly labeled. When finished, challenge yourself and solve the following four problems.

CONCEPTUAL PROBLEMS

P6-1. Draw the free-body diagrams of each of the crane boom segments AB , BC , and BD . Only the weights of AB and BC are significant. Assume A and B are pins.



P6-1

P6-2. Draw the free-body diagrams of the boom $ABCD$ and the stick $EDFGH$ of the backhoe. The weights of these two members are significant. Neglect the weights of all the other members, and assume all indicated points of connection are pins.



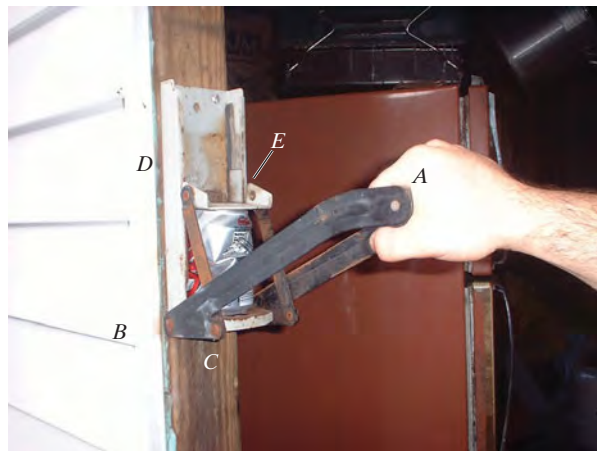
P6-2

P6-3. Draw the free-body diagrams of the boom $ABCDF$ and the stick FGH of the bucket lift. Neglect the weights of the member. The bucket weighs W . The two force members are BI , CE , DE and GE . Assume all indicated points of connection are pins.



P6-3

P6-4. To operate the can crusher one pushes down on the lever arm ABC which rotates about the fixed pin at B . This moves the side links CD downward, which causes the guide plate E to also move downward and thereby crush the can. Draw the free-body diagrams of the lever, side link, and guide plate. Make up some reasonable numbers and do an equilibrium analysis to show how much an applied vertical force at the handle is magnified when it is transmitted to the can. Assume all points of connection are pins and the guides for the plate are smooth.



P6-4

Procedure for Analysis

The joint reactions on frames or machines (structures) composed of multiforce members can be determined using the following procedure.

Free-Body Diagram.

- Draw the free-body diagram of the entire frame or machine, a portion of it, or each of its members. The choice should be made so that it leads to the most direct solution of the problem.
- When the free-body diagram of a group of members of a frame or machine is drawn, the forces between the connected parts of this group are internal forces and are not shown on the free-body diagram of the group.
- Forces common to two members which are in contact act with equal magnitude but opposite sense on the respective free-body diagrams of the members.
- Two-force members, regardless of their shape, have equal but opposite collinear forces acting at the ends of the member.
- In many cases it is possible to tell by inspection the proper sense of the unknown forces acting on a member; however, if this seems difficult, the sense can be assumed.
- Remember that a couple moment is a free vector and can act at any point on the free-body diagram. Also, a force is a sliding vector and can act at any point along its line of action.

Equations of Equilibrium.

- Count the number of unknowns and compare it to the total number of equilibrium equations that are available. In two dimensions, there are three equilibrium equations that can be written for each member.
- Sum moments about a point that lies at the intersection of the lines of action of as many of the unknown forces as possible.
- If the solution of a force or couple moment magnitude is found to be negative, it means the sense of the force is the reverse of that shown on the free-body diagram.

EXAMPLE 6.14

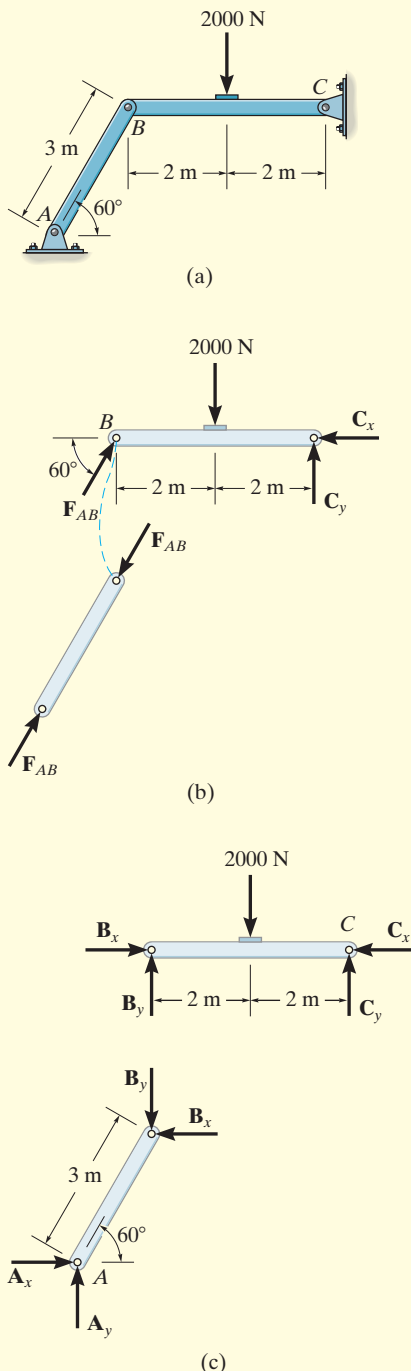


Fig. 6-26

Determine the horizontal and vertical components of force which the pin at C exerts on member BC of the frame in Fig. 6-26a.

SOLUTION I

Free-Body Diagrams. By inspection it can be seen that AB is a two-force member. The free-body diagrams are shown in Fig. 6-26b.

Equations of Equilibrium. The *three unknowns* can be determined by applying the three equations of equilibrium to member CB .

$$\begin{aligned} \zeta + \Sigma M_C &= 0; 2000 \text{ N}(2 \text{ m}) - (F_{AB} \sin 60^\circ)(4 \text{ m}) = 0 & F_{AB} &= 1154.7 \text{ N} \\ \rightarrow \Sigma F_x &= 0; 1154.7 \cos 60^\circ \text{ N} - C_x = 0 & C_x &= 577 \text{ N} \quad \text{Ans.} \\ + \uparrow \Sigma F_y &= 0; 1154.7 \sin 60^\circ \text{ N} - 2000 \text{ N} + C_y = 0 & C_y &= 1000 \text{ N} \quad \text{Ans.} \end{aligned}$$

SOLUTION II

Free-Body Diagrams. If one does not recognize that AB is a two-force member, then more work is involved in solving this problem. The free-body diagrams are shown in Fig. 6-26c.

Equations of Equilibrium. The *six unknowns* are determined by applying the three equations of equilibrium to each member.

Member AB

$$\zeta + \Sigma M_A = 0; B_x(3 \sin 60^\circ \text{ m}) - B_y(3 \cos 60^\circ \text{ m}) = 0 \quad (1)$$

$$\rightarrow \Sigma F_x = 0; A_x - B_x = 0 \quad (2)$$

$$+ \uparrow \Sigma F_y = 0; A_y - B_y = 0 \quad (3)$$

Member BC

$$\zeta + \Sigma M_C = 0; 2000 \text{ N}(2 \text{ m}) - B_y(4 \text{ m}) = 0 \quad (4)$$

$$\rightarrow \Sigma F_x = 0; B_x - C_x = 0 \quad (5)$$

$$+ \uparrow \Sigma F_y = 0; B_y - 2000 \text{ N} + C_y = 0 \quad (6)$$

The results for C_x and C_y can be determined by solving these equations in the following sequence: 4, 1, 5, then 6. The results are

$$B_y = 1000 \text{ N}$$

$$B_x = 577 \text{ N}$$

$$C_x = 577 \text{ N} \quad \text{Ans.}$$

$$C_y = 1000 \text{ N} \quad \text{Ans.}$$

By comparison, Solution I is simpler since the requirement that F_{AB} in Fig. 6-26b be equal, opposite, and collinear at the ends of member AB automatically satisfies Eqs. 1, 2, and 3 above and therefore eliminates the need to write these equations. *As a result, save yourself some time and effort by always identifying the two-force members before starting the analysis!*

EXAMPLE 6.15

The compound beam shown in Fig. 6–27a is pin connected at B . Determine the components of reaction at its supports. Neglect its weight and thickness.

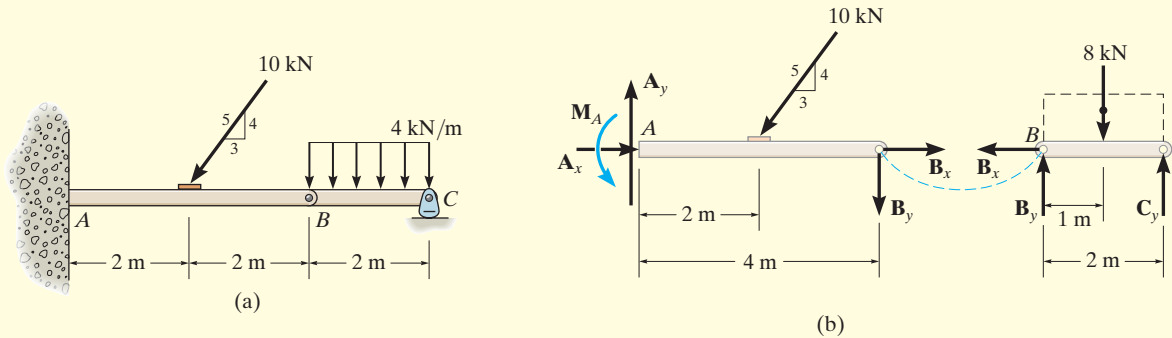


Fig. 6–27

SOLUTION

Free-Body Diagrams. By inspection, if we consider a free-body diagram of the *entire beam ABC*, there will be three unknown reactions at A and one at C . These four unknowns cannot all be obtained from the three available equations of equilibrium, and so for the solution it will become necessary to dismember the beam into its two segments, as shown in Fig. 6–27b.

Equations of Equilibrium. The six unknowns are determined as follows:

Segment BC

$$\leftarrow \Sigma F_x = 0; \quad B_x = 0$$

$$\curvearrowleft + \Sigma M_B = 0; \quad -8 \text{ kN}(1 \text{ m}) + C_y(2 \text{ m}) = 0$$

$$+\uparrow \Sigma F_y = 0; \quad B_y - 8 \text{ kN} + C_y = 0$$

Segment AB

$$\rightarrow \Sigma F_x = 0; \quad A_x - (10 \text{ kN})\left(\frac{3}{5}\right) + B_x = 0$$

$$\curvearrowleft + \Sigma M_A = 0; \quad M_A - (10 \text{ kN})\left(\frac{4}{5}\right)(2 \text{ m}) - B_y(4 \text{ m}) = 0$$

$$+\uparrow \Sigma F_y = 0; \quad A_y - (10 \text{ kN})\left(\frac{4}{5}\right) - B_y = 0$$

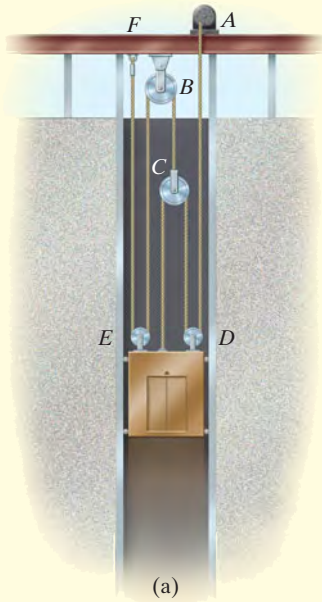
Solving each of these equations successively, using previously calculated results, we obtain

$$A_x = 6 \text{ kN} \quad A_y = 12 \text{ kN} \quad M_A = 32 \text{ kN} \cdot \text{m} \quad \text{Ans.}$$

$$B_x = 0 \quad B_y = 4 \text{ kN}$$

$$C_y = 4 \text{ kN} \quad \text{Ans.}$$

EXAMPLE 6.16



A 500-kg elevator car in Fig. 6–28a is being hoisted by motor *A* using the pulley system shown. If the car is traveling with a constant speed, determine the force developed in the two cables. Neglect the mass of the cable and pulleys.

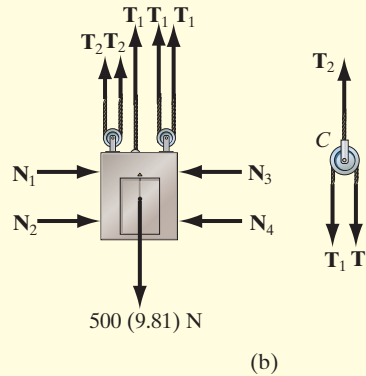


Fig. 6–28

SOLUTION

Free-Body Diagram. We can solve this problem using the free-body diagrams of the elevator car and pulley *C*, Fig. 6–28b. The tensile forces developed in the cables are denoted as T_1 and T_2 .

Equations of Equilibrium. For pulley *C*,

$$+\uparrow \Sigma F_y = 0; \quad T_2 - 2T_1 = 0 \quad \text{or} \quad T_2 = 2T_1 \quad (1)$$

For the elevator car,

$$+\uparrow \Sigma F_y = 0; \quad 3T_1 + 2T_2 - 500(9.81) \text{ N} = 0 \quad (2)$$

Substituting Eq. (1) into Eq. (2) yields

$$3T_1 + 2(2T_1) - 500(9.81) \text{ N} = 0$$

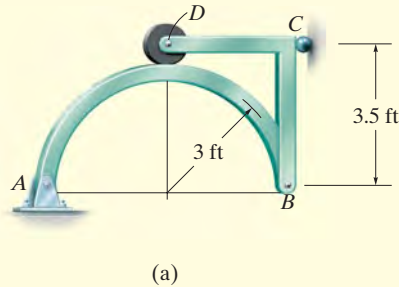
$$T_1 = 700.71 \text{ N} = 701 \text{ N} \quad \text{Ans.}$$

Substituting this result into Eq. (1),

$$T_2 = 2(700.71) \text{ N} = 1401 \text{ N} = 1.40 \text{ kN} \quad \text{Ans.}$$

EXAMPLE 6.17

The smooth disk shown in Fig. 6–29a is pinned at D and has a weight of 20 lb. Neglecting the weights of the other members, determine the horizontal and vertical components of reaction at pins B and D .



SOLUTION

Free-Body Diagrams. The free-body diagrams of the entire frame and each of its members are shown in Fig. 6–29b.

Equations of Equilibrium. The eight unknowns can of course be obtained by applying the eight equilibrium equations to each member—three to member AB , three to member BCD , and two to the disk. (Moment equilibrium is automatically satisfied for the disk.) If this is done, however, all the results can be obtained only from a simultaneous solution of some of the equations. (Try it and find out.) To avoid this situation, it is best first to determine the three support reactions on the *entire* frame; then, using these results, the remaining five equilibrium equations can be applied to two other parts in order to solve successively for the other unknowns.

Entire Frame

$$\zeta + \sum M_A = 0; \quad -20 \text{ lb} (3 \text{ ft}) + C_x (3.5 \text{ ft}) = 0 \quad C_x = 17.1 \text{ lb}$$

$$\rightarrow \sum F_x = 0; \quad A_x - 17.1 \text{ lb} = 0 \quad A_x = 17.1 \text{ lb}$$

$$+\uparrow \sum F_y = 0; \quad A_y - 20 \text{ lb} = 0 \quad A_y = 20 \text{ lb}$$

Member AB

$$\rightarrow \sum F_x = 0; \quad 17.1 \text{ lb} - B_x = 0 \quad B_x = 17.1 \text{ lb} \quad \text{Ans.}$$

$$\zeta + \sum M_B = 0; \quad -20 \text{ lb} (6 \text{ ft}) + N_D (3 \text{ ft}) = 0 \quad N_D = 40 \text{ lb}$$

$$+\uparrow \sum F_y = 0; \quad 20 \text{ lb} - 40 \text{ lb} + B_y = 0 \quad B_y = 20 \text{ lb} \quad \text{Ans.}$$

Disk

$$\rightarrow \sum F_x = 0; \quad D_x = 0 \quad \text{Ans.}$$

$$+\uparrow \sum F_y = 0; \quad 40 \text{ lb} - 20 \text{ lb} - D_y = 0 \quad D_y = 20 \text{ lb} \quad \text{Ans.}$$

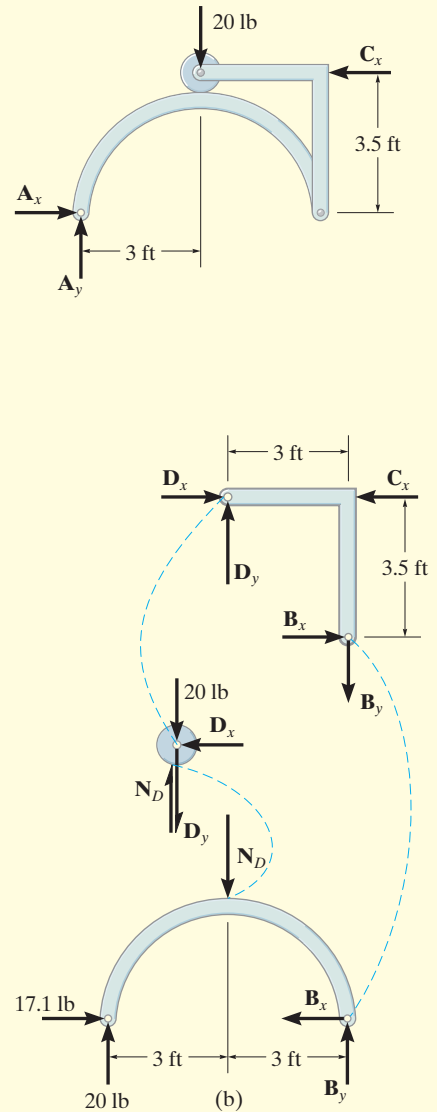


Fig. 6–29

EXAMPLE 6.18

Determine the tension in the cables and also the force \mathbf{P} required to support the 600-N force using the frictionless pulley system shown in Fig. 6–30a.

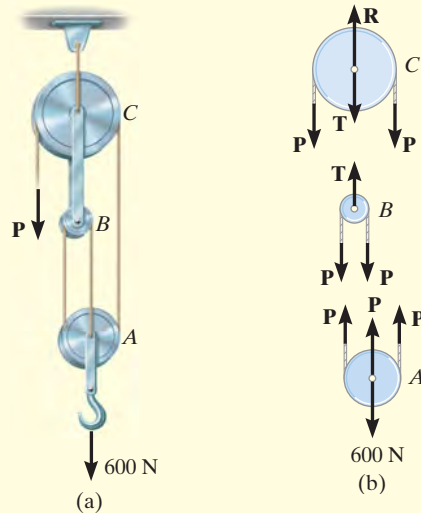


Fig. 6–30

SOLUTION

Free-Body Diagram. A free-body diagram of each pulley *including* its pin and a portion of the contacting cable is shown in Fig. 6–30b. Since the cable is *continuous*, it has a *constant tension* P acting throughout its length. The link connection between pulleys B and C is a two-force member, and therefore it has an unknown tension T acting on it. Notice that the *principle of action, equal but opposite reaction* must be carefully observed for forces \mathbf{P} and \mathbf{T} when the *separate* free-body diagrams are drawn.

Equations of Equilibrium. The three unknowns are obtained as follows:

Pulley A

$$+\uparrow \Sigma F_y = 0; \quad 3P - 600 \text{ N} = 0 \quad P = 200 \text{ N} \quad \text{Ans.}$$

Pulley B

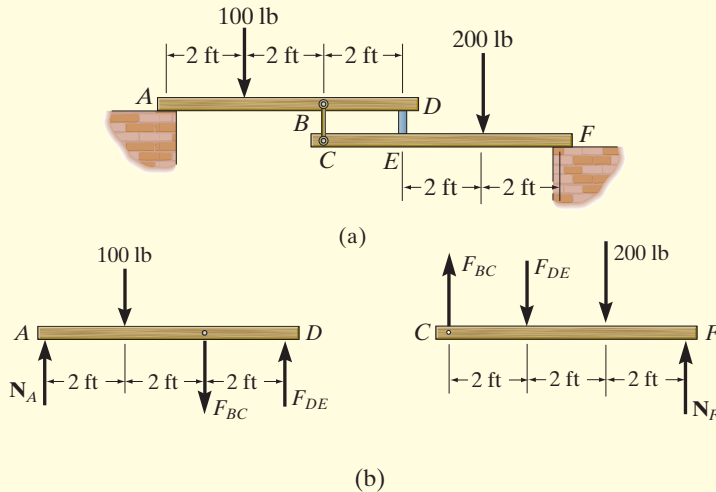
$$+\uparrow \Sigma F_y = 0; \quad T - 2P = 0 \quad T = 400 \text{ N} \quad \text{Ans.}$$

Pulley C

$$+\uparrow \Sigma F_y = 0; \quad R - 2P - T = 0 \quad R = 800 \text{ N} \quad \text{Ans.}$$

EXAMPLE 6.19

The two planks in Fig. 6–31a are connected together by cable BC and a smooth spacer DE . Determine the reactions at the smooth supports A and F , and also find the force developed in the cable and spacer.

**Fig. 6–31****SOLUTION**

Free-Body Diagrams. The free-body diagram of each plank is shown in Fig. 6–31b. It is important to apply Newton's third law to the interaction forces as shown.

Equations of Equilibrium. For plank AD ,

$$\zeta + \sum M_A = 0; \quad F_{DE}(6 \text{ ft}) - F_{BC}(4 \text{ ft}) - 100 \text{ lb}(2 \text{ ft}) = 0$$

For plank CF ,

$$\zeta + \sum M_F = 0; \quad F_{DE}(4 \text{ ft}) - F_{BC}(6 \text{ ft}) + 200 \text{ lb}(2 \text{ ft}) = 0$$

Solving simultaneously,

$$F_{DE} = 140 \text{ lb} \quad F_{BC} = 160 \text{ lb} \quad \text{Ans.}$$

Using these results, for plank AD ,

$$+\uparrow \sum F_y = 0; \quad N_A + 140 \text{ lb} - 160 \text{ lb} - 100 \text{ lb} = 0$$

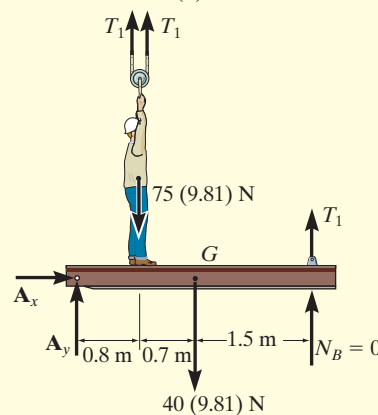
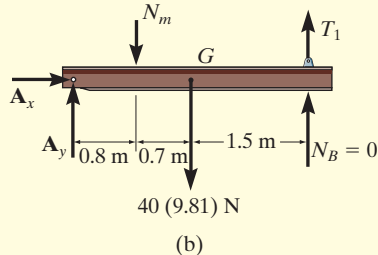
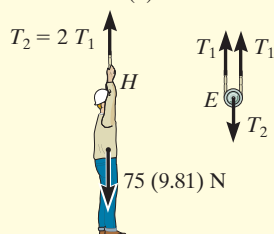
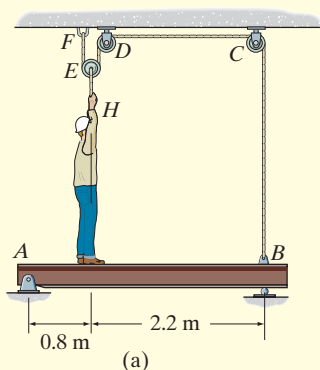
$$N_A = 120 \text{ lb} \quad \text{Ans.}$$

And for plank CF ,

$$+\uparrow \sum F_y = 0; \quad N_F + 160 \text{ lb} - 140 \text{ lb} - 200 \text{ lb} = 0$$

$$N_F = 180 \text{ lb} \quad \text{Ans.}$$

EXAMPLE 6.20



(a)

(b)

(c)

Fig. 6-32

The 75-kg man in Fig. 6-32a attempts to lift the 40-kg uniform beam off the roller support at B . Determine the tension developed in the cable attached to B and the normal reaction of the man on the beam when this is about to occur.

SOLUTION

Free-Body Diagrams. The tensile force in the cable will be denoted as T_1 . The free-body diagrams of the pulley E , the man, and the beam are shown in Fig. 6-32b. The beam has no contact with roller B , so $N_B = 0$. When drawing each of these diagrams, it is very important to apply Newton's third law.

Equations of Equilibrium. Using the free-body diagram of pulley E ,

$$+\uparrow \Sigma F_y = 0; \quad 2T_1 - T_2 = 0 \quad \text{or} \quad T_2 = 2T_1 \quad (1)$$

Referring to the free-body diagram of the man using this result,

$$+\uparrow \Sigma F_y = 0; \quad N_m + 2T_1 - 75(9.81) \text{ N} = 0 \quad (2)$$

Summing moments about point A on the beam,

$$\zeta + \Sigma M_A = 0; \quad T_1(3 \text{ m}) - N_m(0.8 \text{ m}) - [40(9.81) \text{ N}](1.5 \text{ m}) = 0 \quad (3)$$

Solving Eqs. 2 and 3 simultaneously for T_1 and N_m , then using Eq. (1) for T_2 , we obtain

$$T_1 = 256 \text{ N} \quad N_m = 224 \text{ N} \quad T_2 = 512 \text{ N} \quad \text{Ans.}$$

SOLUTION II

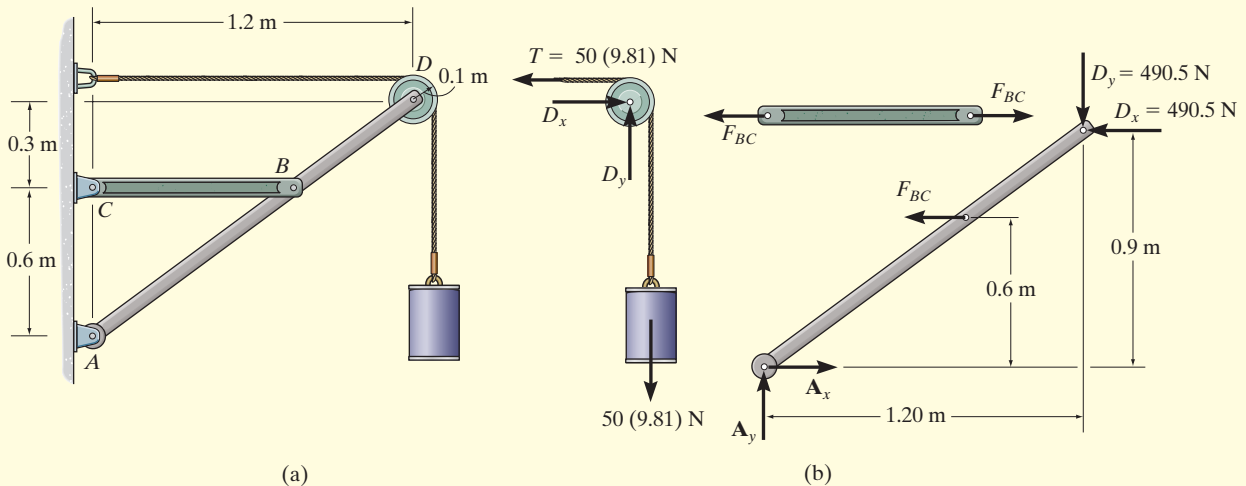
A direct solution for T_1 can be obtained by considering the beam, the man, and pulley E as a *single system*. The free-body diagram is shown in Fig. 6-32c. Thus,

$$\begin{aligned} \zeta + \Sigma M_A = 0; \quad & 2T_1(0.8 \text{ m}) - [75(9.81) \text{ N}](0.8 \text{ m}) \\ & - [40(9.81) \text{ N}](1.5 \text{ m}) + T_1(3 \text{ m}) = 0 \\ & T_1 = 256 \text{ N} \quad \text{Ans.} \end{aligned}$$

With this result Eqs. 1 and 2 can then be used to find N_m and T_2 .

EXAMPLE 6.21

The frame in Fig. 6–33a supports the 50-kg cylinder. Determine the horizontal and vertical components of reaction at A and the force at C .

**Fig. 6–33****SOLUTION**

Free-Body Diagrams. The free-body diagram of pulley D , along with the cylinder and a portion of the cord (a system), is shown in Fig. 6–33b. Member BC is a two-force member as indicated by its free-body diagram. The free-body diagram of member ABD is also shown.

Equations of Equilibrium. We will begin by analyzing the equilibrium of the pulley. The moment equation of equilibrium is automatically satisfied with $T = 50(9.81)$ N, and so

$$\begin{aligned} \rightarrow \Sigma F_x = 0; \quad D_x - 50(9.81) \text{ N} = 0 \quad D_x = 490.5 \text{ N} \\ +\uparrow \Sigma F_y = 0; \quad D_y - 50(9.81) \text{ N} = 0 \quad D_y = 490.5 \text{ N} \quad \text{Ans.} \end{aligned}$$

Using these results, F_{BC} can be determined by summing moments about point A on member ABD .

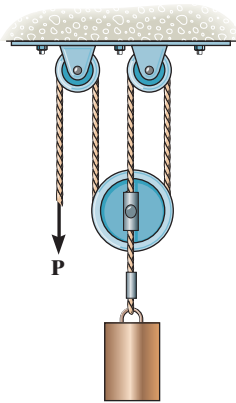
$$\begin{aligned} \zeta + \Sigma M_A = 0; \quad F_{BC}(0.6 \text{ m}) + 490.5 \text{ N}(0.9 \text{ m}) - 490.5 \text{ N}(1.20 \text{ m}) = 0 \\ F_{BC} = 245.25 \text{ N} \quad \text{Ans.} \end{aligned}$$

Now A_x and A_y can be determined by summing forces.

$$\begin{aligned} \rightarrow \Sigma F_x = 0; \quad A_x - 245.25 \text{ N} - 490.5 \text{ N} = 0 \quad A_x = 736 \text{ N} \quad \text{Ans.} \\ +\uparrow \Sigma F_y = 0; \quad A_y - 490.5 \text{ N} = 0 \quad A_y = 490.5 \text{ N} \quad \text{Ans.} \end{aligned}$$

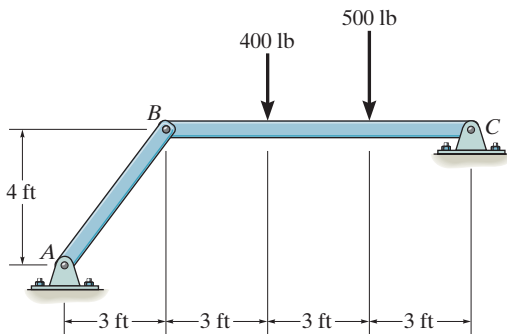
FUNDAMENTAL PROBLEMS

F6-13. Determine the force P needed to hold the 60-lb weight in equilibrium.



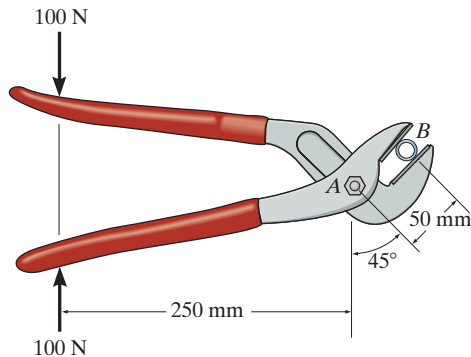
F6-13

F6-14. Determine the horizontal and vertical components of reaction at pin C .



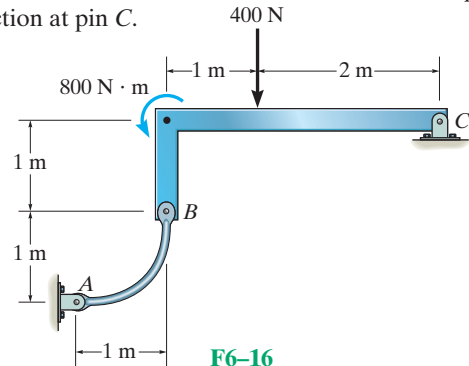
F6-14

F6-15. If a 100-N force is applied to the handles of the pliers, determine the clamping force exerted on the smooth pipe B and the magnitude of the resultant force at pin A .



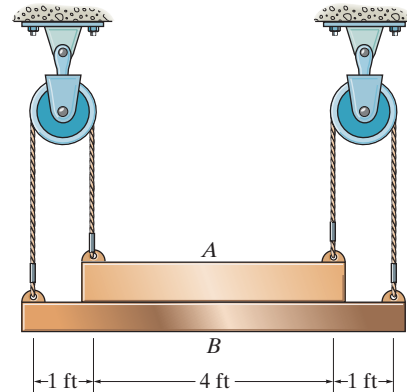
F6-15

F6-16. Determine the horizontal and vertical components of reaction at pin C .



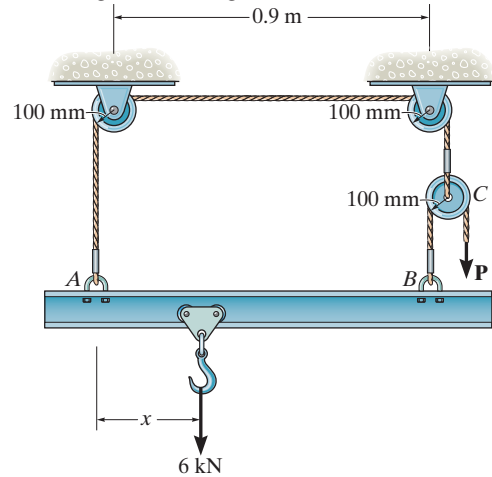
F6-16

F6-17. Determine the normal force that the 100-lb plate A exerts on the 30-lb plate B .



F6-17

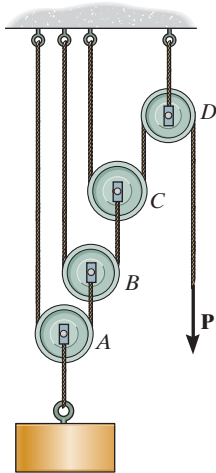
F6-18. Determine the force P needed to lift the load. Also, determine the proper placement x of the hook for equilibrium. Neglect the weight of the beam.



F6-18

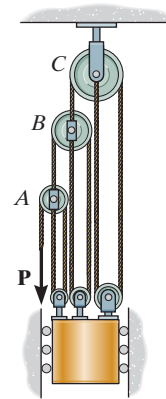
PROBLEMS

6-67. Determine the force P required to hold the 100-lb weight in equilibrium.



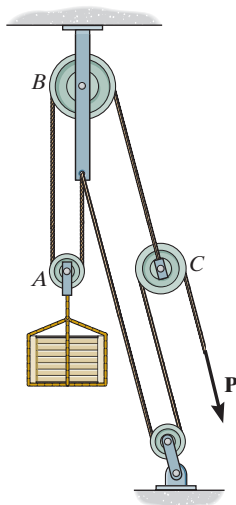
Prob. 6-67

6-69. Determine the force P required to hold the 50-kg mass in equilibrium.



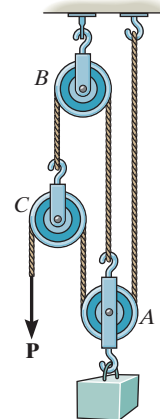
Prob. 6-69

***6-68.** Determine the force P required to hold the 150-kg crate in equilibrium.



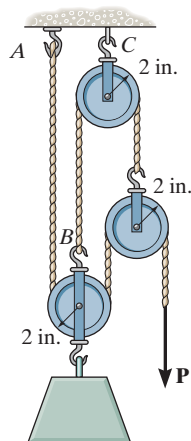
Prob. 6-68

6-70. Determine the force P needed to hold the 20-lb block in equilibrium.



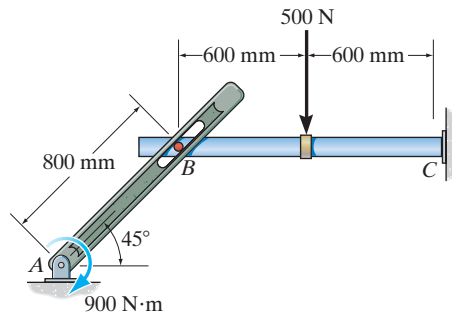
Prob. 6-70

6-71. Determine the force \mathbf{P} needed to support the 100-lb weight. Each pulley has a weight of 10 lb. Also, what are the cord reactions at A and B ?



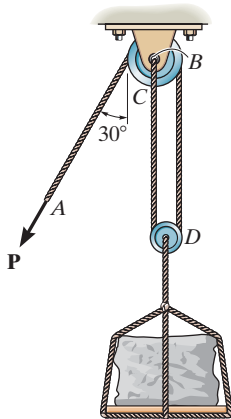
Prob. 6-71

6-73. If the peg at B is smooth, determine the components of reaction at the pin A and fixed support C .



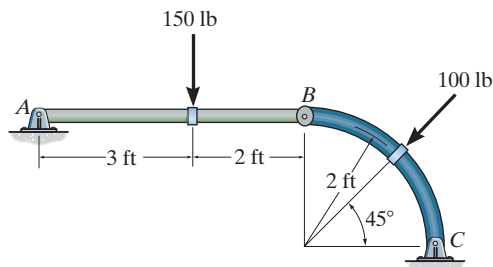
Prob. 6-73

***6-72.** The cable and pulleys are used to lift the 600-lb stone. Determine the force that must be exerted on the cable at A and the corresponding magnitude of the resultant force the pulley at C exerts on pin B when the cables are in the position shown.



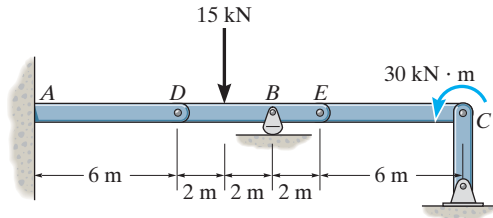
Prob. 6-72

6-74. Determine the horizontal and vertical components of reaction at pins A and C .



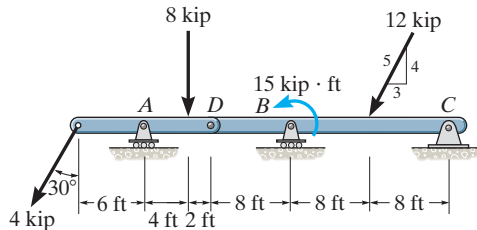
Prob. 6-74

6-75. The compound beam is fixed at A and supported by rockers at B and C . There are hinges (pins) at D and E . Determine the components of reaction at the supports.



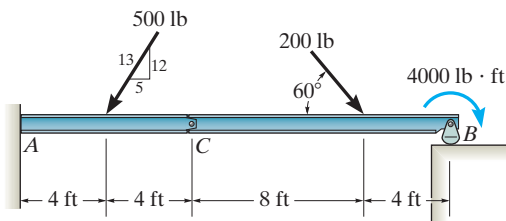
Prob. 6-75

***6-76.** The compound beam is pin-supported at C and supported by rollers at A and B . There is a hinge (pin) at D . Determine the components of reaction at the supports. Neglect the thickness of the beam.



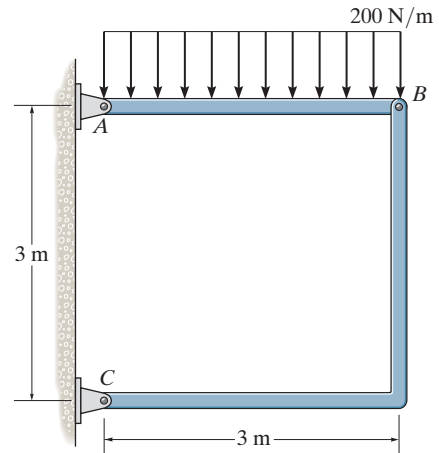
Prob. 6-76

•6-77. The compound beam is supported by a rocker at B and is fixed to the wall at A . If it is hinged (pinned) together at C , determine the components of reaction at the supports. Neglect the thickness of the beam.



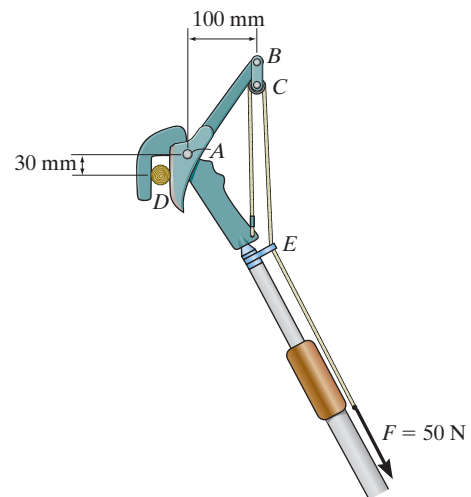
Prob. 6-77

6-78. Determine the horizontal and vertical components of reaction at pins A and C of the two-member frame.



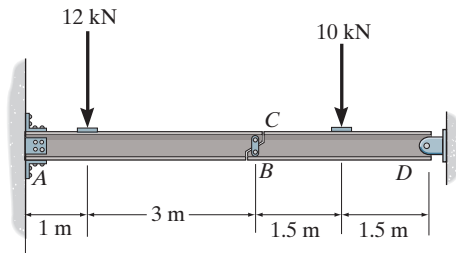
Prob. 6-78

6-79. If a force of $F = 50$ N acts on the rope, determine the cutting force on the smooth tree limb at D and the horizontal and vertical components of force acting on pin A . The rope passes through a small pulley at C and a smooth ring at E .



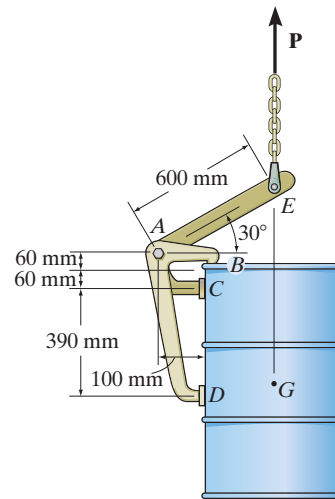
Prob. 6-79

***6-80.** Two beams are connected together by the short link BC . Determine the components of reaction at the fixed support A and at pin D .



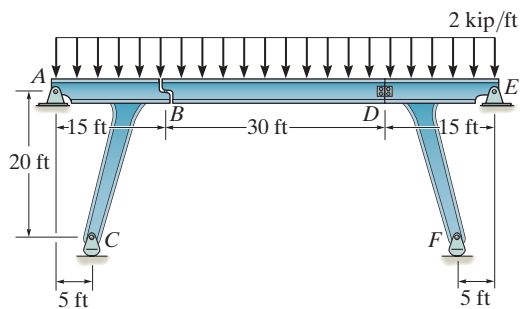
Prob. 6-80

6-82. If the 300-kg drum has a center of mass at point G , determine the horizontal and vertical components of force acting at pin A and the reactions on the smooth pads C and D . The grip at B on member DAB resists both horizontal and vertical components of force at the rim of the drum.



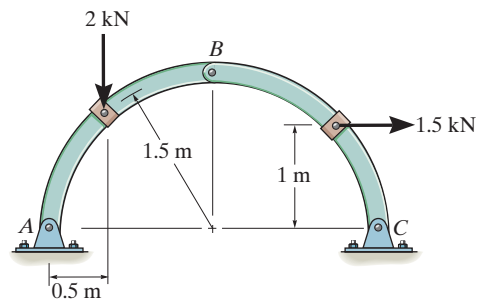
Prob. 6-82

•6-81. The bridge frame consists of three segments which can be considered pinned at A , D , and E , rocker supported at C and F , and roller supported at B . Determine the horizontal and vertical components of reaction at all these supports due to the loading shown.



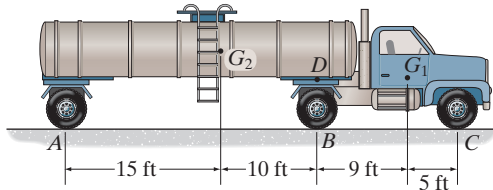
Prob. 6-81

6-83. Determine the horizontal and vertical components of reaction that pins A and C exert on the two-member arch.



Prob. 6-83

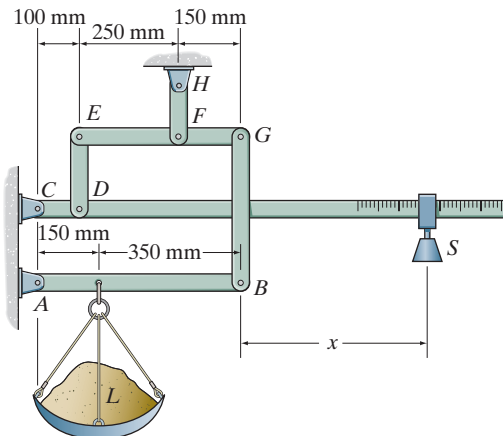
*6-84. The truck and the tanker have weights of 8000 lb and 20 000 lb respectively. Their respective centers of gravity are located at points G_1 and G_2 . If the truck is at rest, determine the reactions on both wheels at A , at B , and at C . The tanker is connected to the truck at the turntable D which acts as a pin.



Prob. 6-84

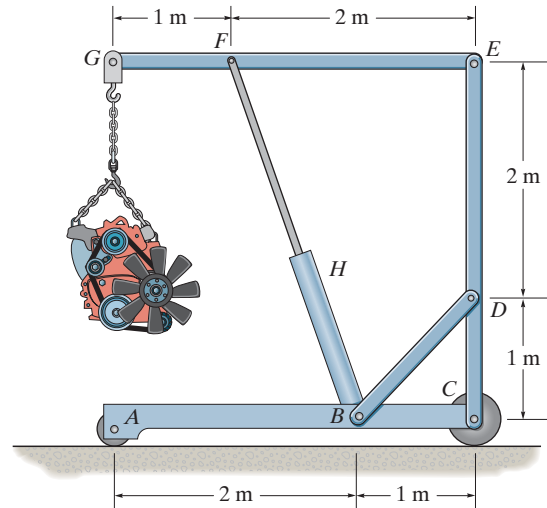
•6-85. The platform scale consists of a combination of third and first class levers so that the load on one lever becomes the effort that moves the next lever. Through this arrangement, a small weight can balance a massive object. If $x = 450$ mm, determine the required mass of the counterweight S required to balance a 90-kg load, L .

6-86. The platform scale consists of a combination of third and first class levers so that the load on one lever becomes the effort that moves the next lever. Through this arrangement, a small weight can balance a massive object. If $x = 450$ mm and, the mass of the counterweight S is 2 kg, determine the mass of the load L required to maintain the balance.



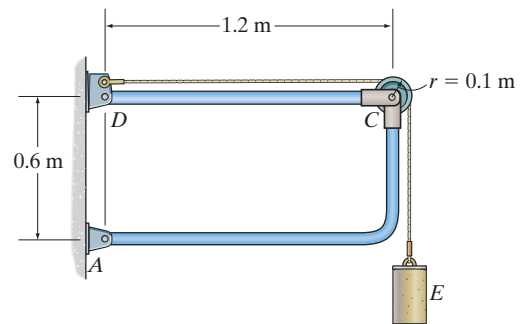
Probs. 6-85/86

6-87. The hoist supports the 125-kg engine. Determine the force the load creates in member DB and in member FB , which contains the hydraulic cylinder H .



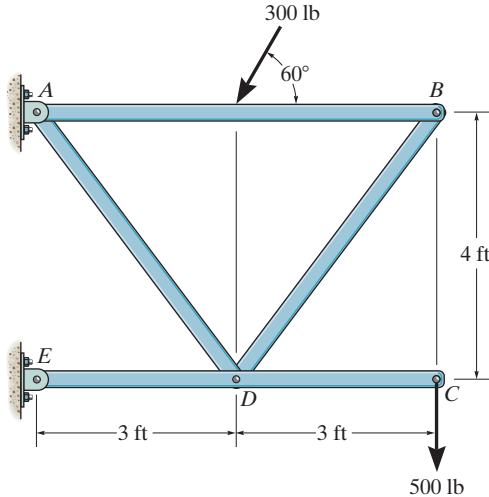
Prob. 6-87

*6-88. The frame is used to support the 100-kg cylinder E . Determine the horizontal and vertical components of reaction at A and D .



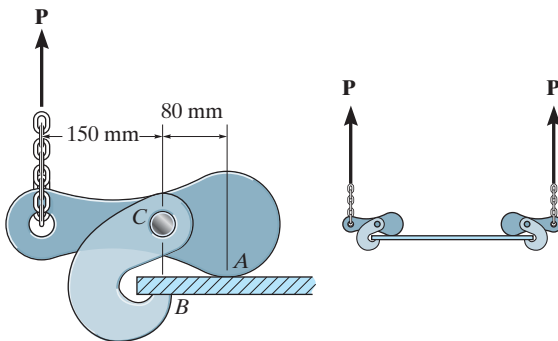
Prob. 6-88

- 6-89. Determine the horizontal and vertical components of reaction which the pins exert on member AB of the frame.
- 6-90. Determine the horizontal and vertical components of reaction which the pins exert on member EDC of the frame.



Probs. 6-89/90

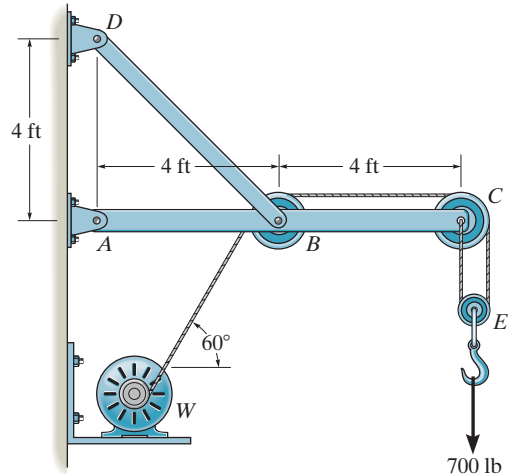
- 6-91. The clamping hooks are used to lift the uniform smooth 500-kg plate. Determine the resultant compressive force that the hook exerts on the plate at A and B , and the pin reaction at C .



Prob. 6-91

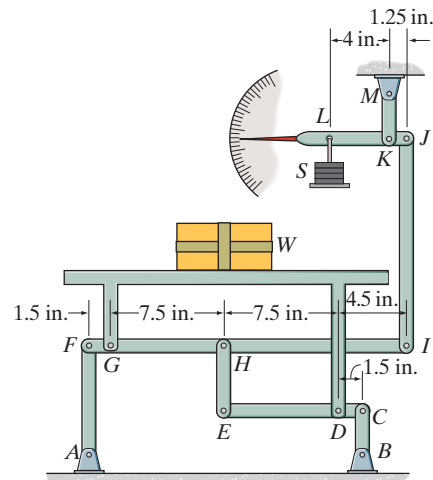
- *6-92. The wall crane supports a load of 700 lb. Determine the horizontal and vertical components of reaction at the pins A and D . Also, what is the force in the cable at the winch W ?

- 6-93. The wall crane supports a load of 700 lb. Determine the horizontal and vertical components of reaction at the pins A and D . Also, what is the force in the cable at the winch W ? The jib ABC has a weight of 100 lb and member BD has a weight of 40 lb. Each member is uniform and has a center of gravity at its center.



Probs. 6-92/93

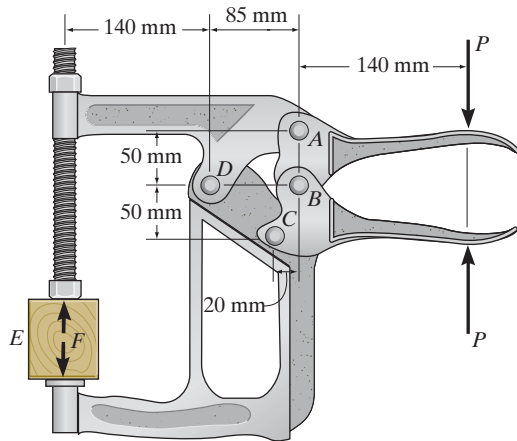
- 6-94. The lever-actuated scale consists of a series of compound levers. If a load of weight $W = 150$ lb is placed on the platform, determine the required weight of the counterweight S to balance the load. Is it necessary to place the load symmetrically on the platform? Explain.



Prob. 6-94

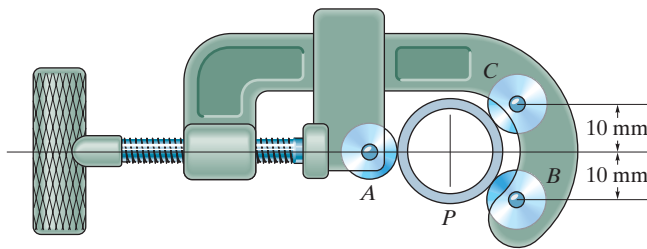
6-95. If $P = 75$ N, determine the force F that the toggle clamp exerts on the wooden block.

*6-96. If the wooden block exerts a force of $F = 600$ N on the toggle clamp, determine the force P applied to the handle.



Probs. 6-95/96

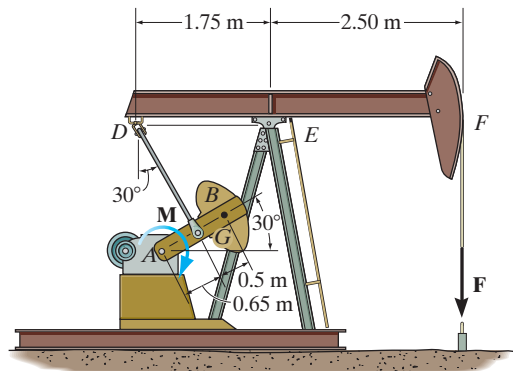
•6-97. The pipe cutter is clamped around the pipe P . If the wheel at A exerts a normal force of $F_A = 80$ N on the pipe, determine the normal forces of wheels B and C on the pipe. The three wheels each have a radius of 7 mm and the pipe has an outer radius of 10 mm.



Prob. 6-97

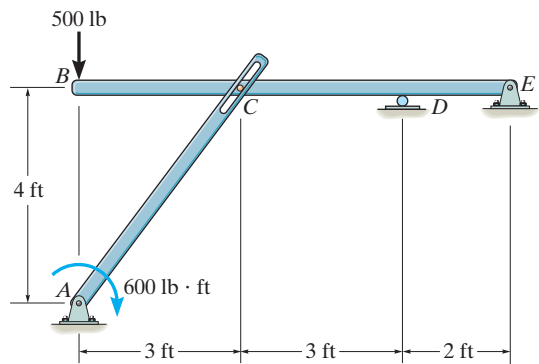
6-98. A 300-kg counterweight, with center of mass at G , is mounted on the pitman crank AB of the oil-pumping unit. If a force of $F = 5$ kN is to be developed in the fixed cable attached to the end of the walking beam DEF , determine the torque M that must be supplied by the motor.

6-99. A 300-kg counterweight, with center of mass at G , is mounted on the pitman crank AB of the oil-pumping unit. If the motor supplies a torque of $M = 2500$ N·m, determine the force F developed in the fixed cable attached to the end of the walking beam DEF .



Probs. 6-98/99

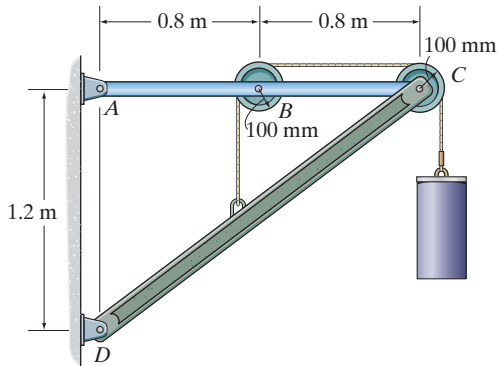
*6-100. The two-member structure is connected at C by a pin, which is fixed to BDE and passes through the smooth slot in member AC . Determine the horizontal and vertical components of reaction at the supports.



Prob. 6-100

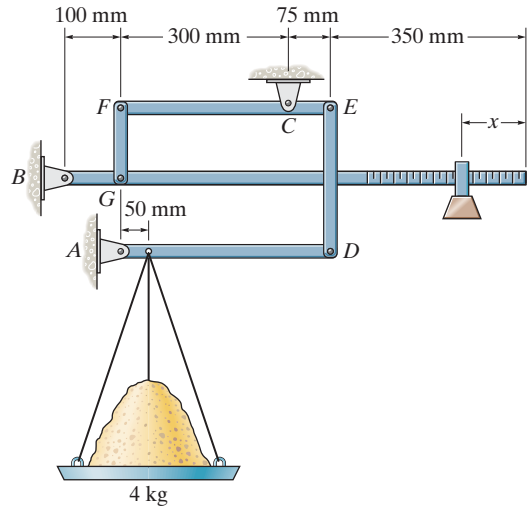
•6-101. The frame is used to support the 50-kg cylinder. Determine the horizontal and vertical components of reaction at A and D .

6-102. The frame is used to support the 50-kg cylinder. Determine the force of the pin at C on member ABC and on member CD .



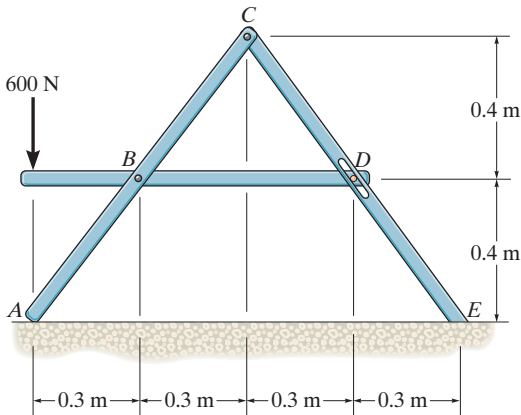
Probs. 6-101/102

***6-104.** The compound arrangement of the pan scale is shown. If the mass on the pan is 4 kg, determine the horizontal and vertical components at pins A , B , and C and the distance x of the 25-g mass to keep the scale in balance.



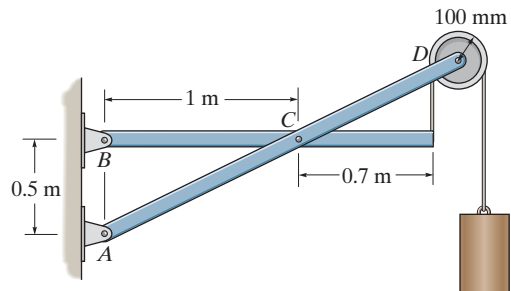
Prob. 6-104

6-103. Determine the reactions at the fixed support E and the smooth support A . The pin, attached to member BD , passes through a smooth slot at D .



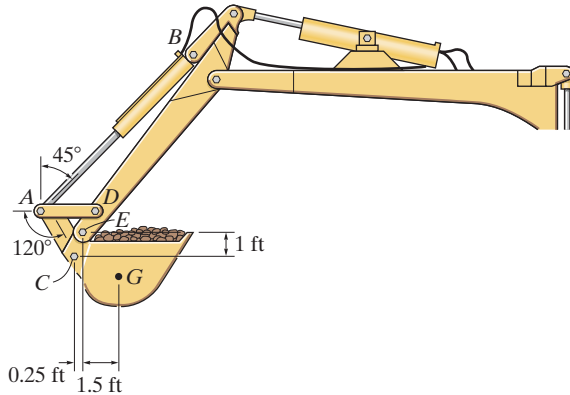
Prob. 6-103

•6-105. Determine the horizontal and vertical components of reaction that the pins at A , B , and C exert on the frame. The cylinder has a mass of 80 kg.



Prob. 6-105

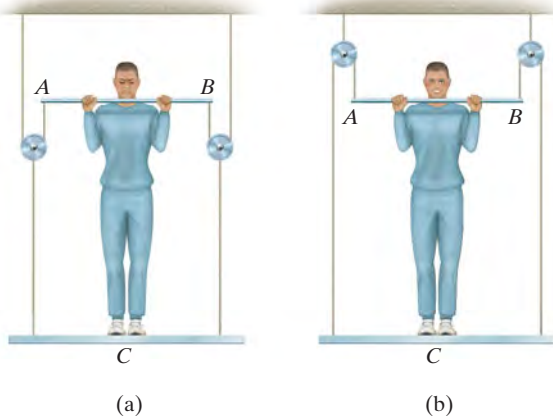
6-106. The bucket of the backhoe and its contents have a weight of 1200 lb and a center of gravity at G . Determine the forces of the hydraulic cylinder AB and in links AC and AD in order to hold the load in the position shown. The bucket is pinned at E .



Prob. 6-106

6-107. A man having a weight of 175 lb attempts to hold himself using one of the two methods shown. Determine the total force he must exert on bar AB in each case and the normal reaction he exerts on the platform at C . Neglect the weight of the platform.

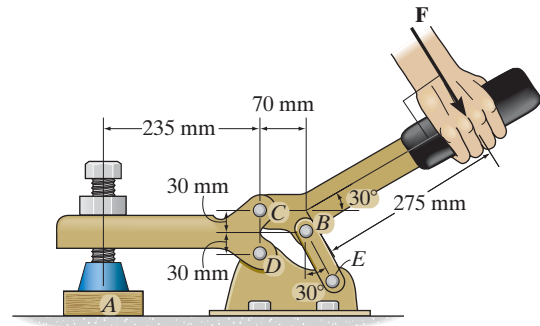
***6-108.** A man having a weight of 175 lb attempts to hold himself using one of the two methods shown. Determine the total force he must exert on bar AB in each case and the normal reaction he exerts on the platform at C . The platform has a weight of 30 lb.



Probs. 6-107/108

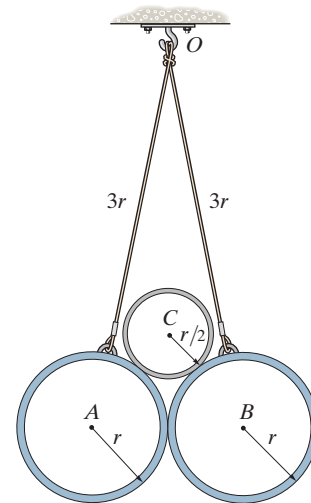
•6-109. If a clamping force of 300 N is required at A , determine the amount of force F that must be applied to the handle of the toggle clamp.

6-110. If a force of $F = 350$ N is applied to the handle of the toggle clamp, determine the resulting clamping force at A .



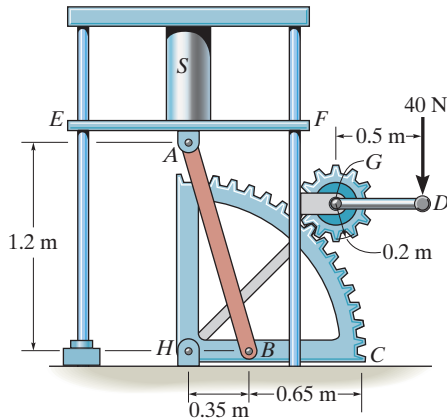
Probs. 6-109/110

6-111. Two smooth tubes A and B , each having the same weight, W , are suspended from a common point O by means of equal-length cords. A third tube, C , is placed between A and B . Determine the greatest weight of C without upsetting equilibrium.



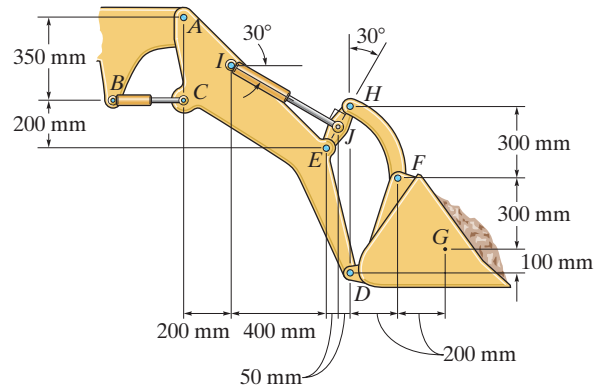
Prob. 6-111

***6-112.** The handle of the sector press is fixed to gear G , which in turn is in mesh with the sector gear C . Note that AB is pinned at its ends to gear C and the underside of the table EF , which is allowed to move vertically due to the smooth guides at E and F . If the gears only exert tangential forces between them, determine the compressive force developed on the cylinder S when a vertical force of 40 N is applied to the handle of the press.



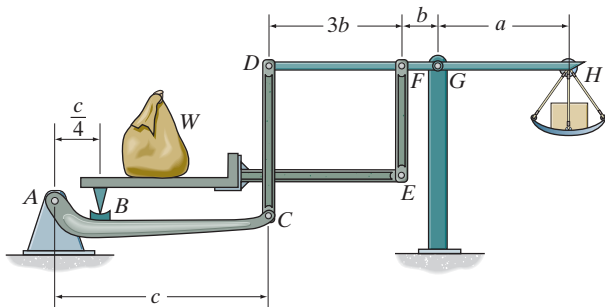
Prob. 6-112

6-114. The tractor shovel carries a 500-kg load of soil, having a center of mass at G . Compute the forces developed in the hydraulic cylinders IJ and BC due to this loading.



Prob. 6-114

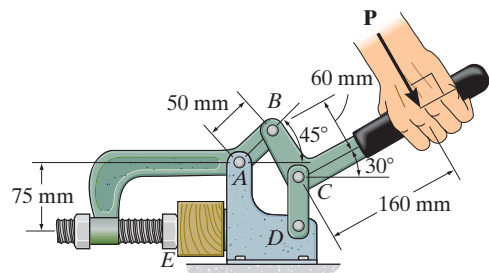
•6-113. Show that the weight W_1 of the counterweight at H required for equilibrium is $W_1 = (b/a)W$, and so it is independent of the placement of the load W on the platform.



Prob. 6-113

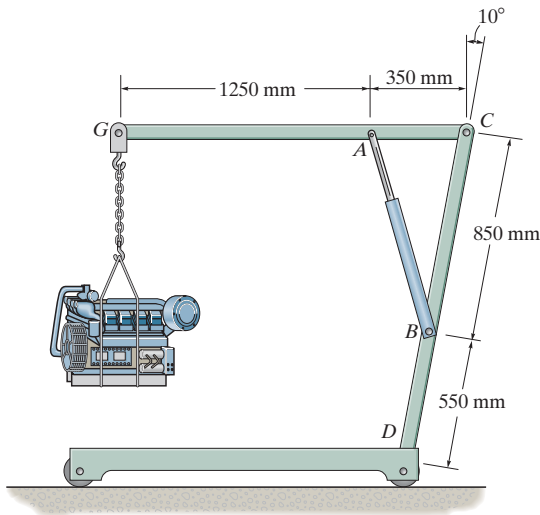
6-115. If a force of $P = 100$ N is applied to the handle of the toggle clamp, determine the horizontal clamping force N_E that the clamp exerts on the smooth wooden block at E .

***6-116.** If the horizontal clamping force that the toggle clamp exerts on the smooth wooden block at E is $N_E = 200$ N, determine the force \mathbf{P} applied to the handle of the clamp.



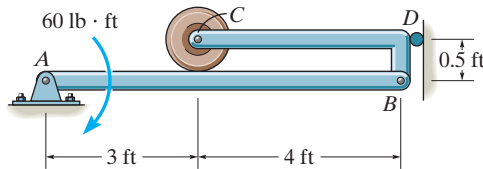
Probs. 6-115/116

•6-117. The engine hoist is used to support the 200-kg engine. Determine the force acting in the hydraulic cylinder AB , the horizontal and vertical components of force at the pin C , and the reactions at the fixed support D .



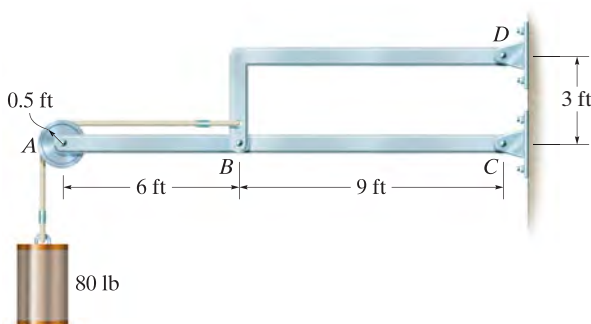
Prob. 6-117

6-118. Determine the force that the smooth roller C exerts on member AB . Also, what are the horizontal and vertical components of reaction at pin A ? Neglect the weight of the frame and roller.



Prob. 6-118

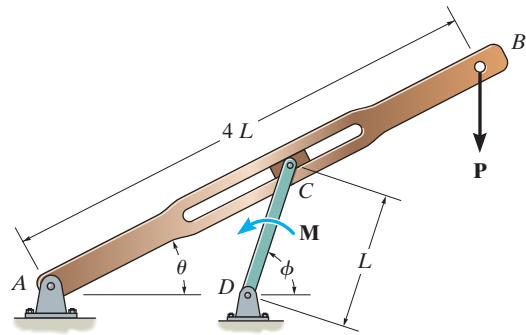
6-119. Determine the horizontal and vertical components of reaction which the pins exert on member ABC .



Prob. 6-119

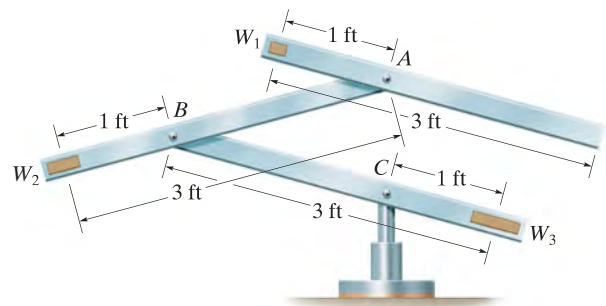
***6-120.** Determine the couple moment M that must be applied to member DC for equilibrium of the quick-return mechanism. Express the result in terms of the angles ϕ and θ , dimension L , and the applied vertical force P . The block at C is confined to slide within the slot of member AB .

***6-121.** Determine the couple moment M that must be applied to member DC for equilibrium of the quick-return mechanism. Express the result in terms of the angles ϕ and θ , dimension L , and the applied force P , which should be changed in the figure and instead directed horizontally to the right. The block at C is confined to slide within the slot of member AB .



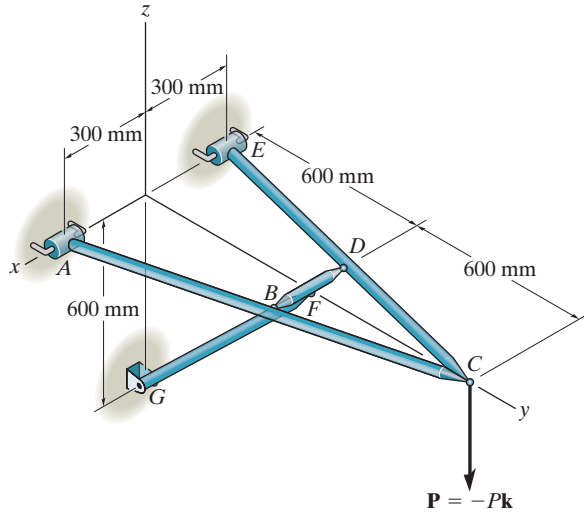
Probs. 6-120/121

6-122. The kinetic sculpture requires that each of the three pinned beams be in perfect balance at all times during its slow motion. If each member has a uniform weight of 2 lb/ft and length of 3 ft, determine the necessary counterweights W_1 , W_2 , and W_3 which must be added to the ends of each member to keep the system in balance for any position. Neglect the size of the counterweights.



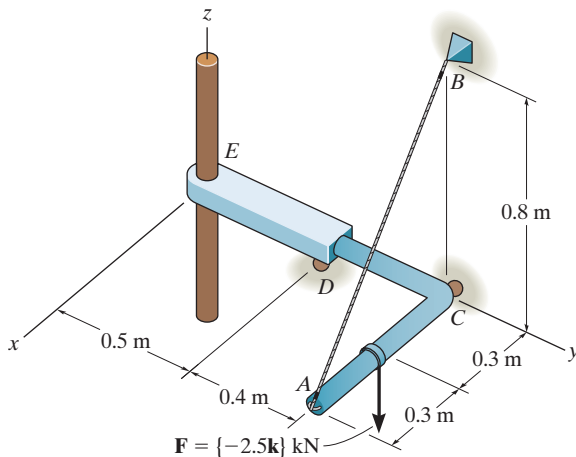
Prob. 6-122

6-123. The four-member “A” frame is supported at A and E by smooth collars and at G by a pin. All the other joints are ball-and-sockets. If the pin at G will fail when the resultant force there is 800 N, determine the largest vertical force P that can be supported by the frame. Also, what are the x, y, z force components which member BD exerts on members EDC and ABC ? The collars at A and E and the pin at G only exert force components on the frame.



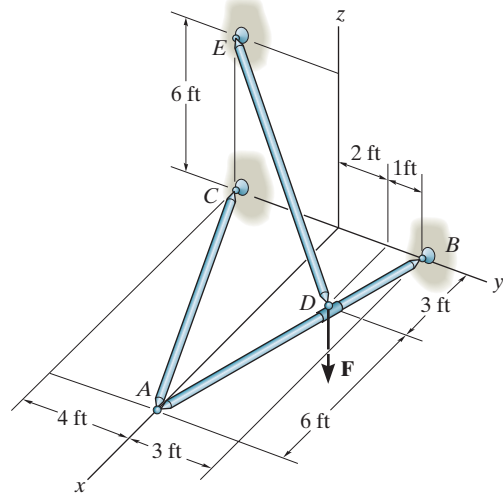
Prob. 6-123

***6-124.** The structure is subjected to the loading shown. Member AD is supported by a cable AB and roller at C and fits through a smooth circular hole at D . Member ED is supported by a roller at D and a pole that fits in a smooth snug circular hole at E . Determine the x, y, z components of reaction at E and the tension in cable AB .



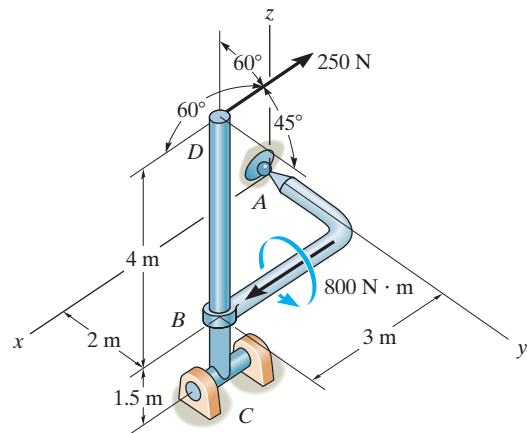
Prob. 6-124

•6-125. The three-member frame is connected at its ends using ball-and-socket joints. Determine the x, y, z components of reaction at B and the tension in member ED . The force acting at D is $\mathbf{F} = \{135\mathbf{i} + 200\mathbf{j} - 180\mathbf{k}\}$ lb.



Prob. 6-125

6-126. The structure is subjected to the loadings shown. Member AB is supported by a ball-and-socket at A and smooth collar at B . Member CD is supported by a pin at C . Determine the x, y, z components of reaction at A and C .

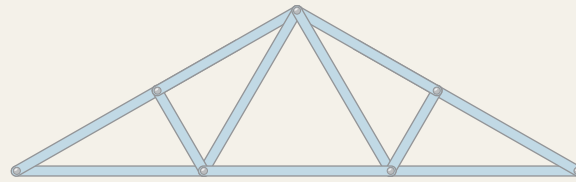


Prob. 6-126

CHAPTER REVIEW

Simple Truss

A simple truss consists of triangular elements connected together by pinned joints. The forces within its members can be determined by assuming the members are all two-force members, connected concurrently at each joint. The members are either in tension or compression, or carry no force.



Roof truss

Method of Joints

The method of joints states that if a truss is in equilibrium, then each of its joints is also in equilibrium. For a plane truss, the concurrent force system at each joint must satisfy force equilibrium.

To obtain a numerical solution for the forces in the members, select a joint that has a free-body diagram with at most two unknown forces and one known force. (This may require first finding the reactions at the supports.)

Once a member force is determined, use its value and apply it to an adjacent joint.

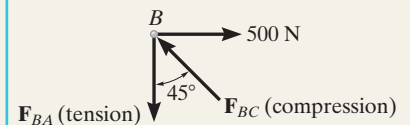
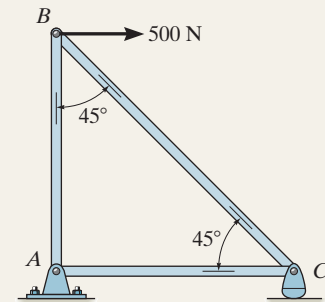
Remember that forces that are found to *pull* on the joint are *tensile forces*, and those that *push* on the joint are *compressive forces*.

To avoid a simultaneous solution of two equations, set one of the coordinate axes along the line of action of one of the unknown forces and sum forces perpendicular to this axis. This will allow a direct solution for the other unknown.

The analysis can also be simplified by first identifying all the zero-force members.

$$\Sigma F_x = 0$$

$$\Sigma F_y = 0$$



Method of Sections

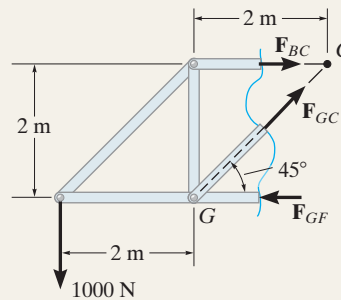
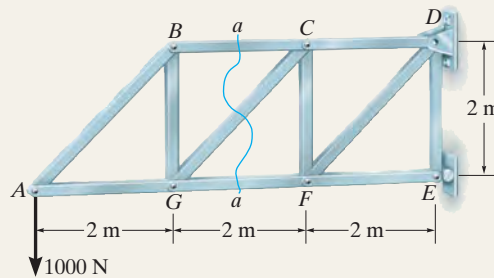
The method of sections states that if a truss is in equilibrium, then each segment of the truss is also in equilibrium. Pass a section through the truss and the member whose force is to be determined. Then draw the free-body diagram of the sectioned part having the least number of forces on it.

Sectioned members subjected to *pulling* are in *tension*, and those that are subjected to *pushing* are in *compression*.

Three equations of equilibrium are available to determine the unknowns.

If possible, sum forces in a direction that is perpendicular to two of the three unknown forces. This will yield a direct solution for the third force.

Sum moments about the point where the lines of action of two of the three unknown forces intersect, so that the third unknown force can be determined directly.



$$\Sigma F_x = 0$$

$$\Sigma F_y = 0$$

$$\Sigma M_O = 0$$

$$+\uparrow \Sigma F_y = 0$$

$$-1000 \text{ N} + F_{GC} \sin 45^\circ = 0$$

$$F_{GC} = 1.41 \text{ kN (T)}$$

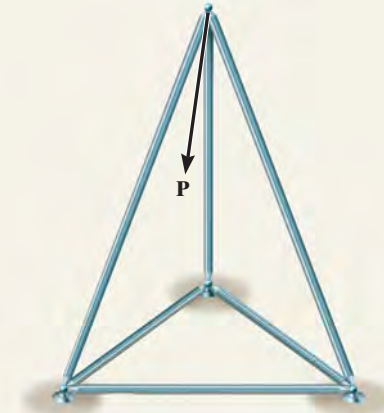
$$\zeta + \Sigma M_C = 0$$

$$1000 \text{ N}(4 \text{ m}) - F_{GF}(2 \text{ m}) = 0$$

$$F_{GF} = 2 \text{ kN (C)}$$

Space Truss

A space truss is a three-dimensional truss built from tetrahedral elements, and is analyzed using the same methods as for plane trusses. The joints are assumed to be ball and socket connections.

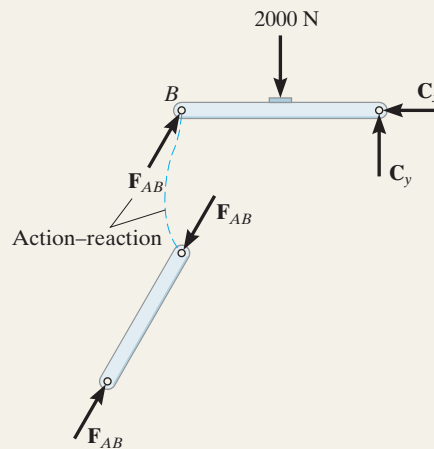
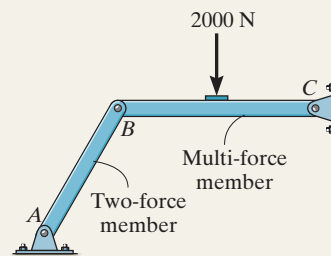


Frames and Machines

Frames and machines are structures that contain one or more multiforce members, that is, members with three or more forces or couples acting on them. Frames are designed to support loads, and machines transmit and alter the effect of forces.

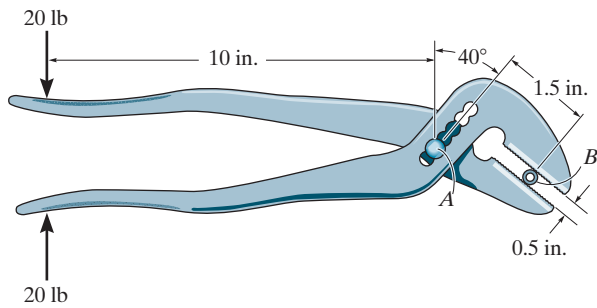
The forces acting at the joints of a frame or machine can be determined by drawing the free-body diagrams of each of its members or parts. The principle of action–reaction should be carefully observed when indicating these forces on the free-body diagram of each adjacent member or pin. For a coplanar force system, there are three equilibrium equations available for each member.

To simplify the analysis, be sure to recognize all two-force members. They have equal but opposite collinear forces at their ends.



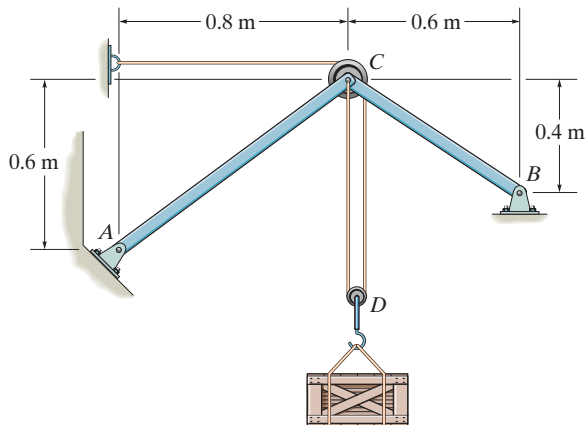
REVIEW PROBLEMS

6-127. Determine the clamping force exerted on the smooth pipe at B if a force of 20 lb is applied to the handles of the pliers. The pliers are pinned together at A .



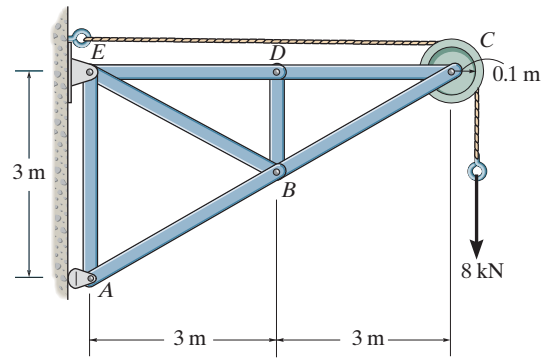
Prob. 6-127

***6-128.** Determine the forces which the pins at A and B exert on the two-member frame which supports the 100-kg crate.



Prob. 6-128

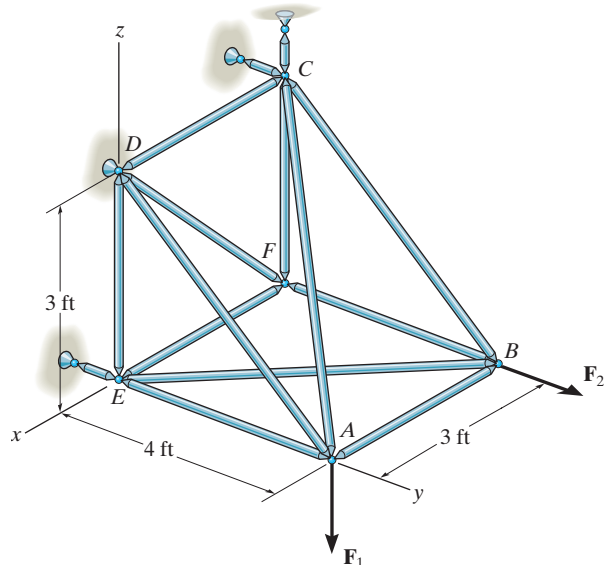
6-129. Determine the force in each member of the truss and state if the members are in tension or compression.



Prob. 6-129

6-130. The space truss is supported by a ball-and-socket joint at D and short links at C and E . Determine the force in each member and state if the members are in tension or compression. Take $\mathbf{F}_1 = \{-500\mathbf{k}\}$ lb and $\mathbf{F}_2 = \{400\mathbf{j}\}$ lb.

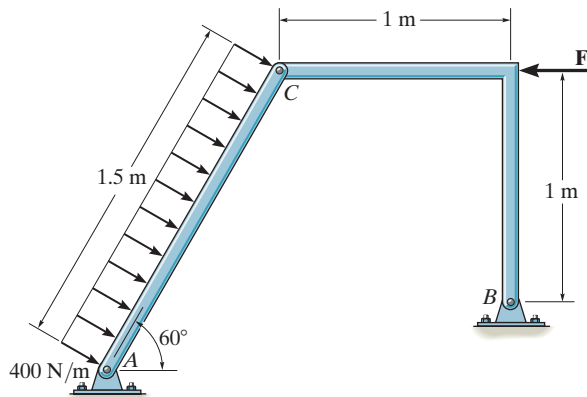
6-131. The space truss is supported by a ball-and-socket joint at D and short links at C and E . Determine the force in each member and state if the members are in tension or compression. Take $\mathbf{F}_1 = \{200\mathbf{i} + 300\mathbf{j} - 500\mathbf{k}\}$ lb and $\mathbf{F}_2 = \{400\mathbf{j}\}$ lb.



Probs. 6-130/131

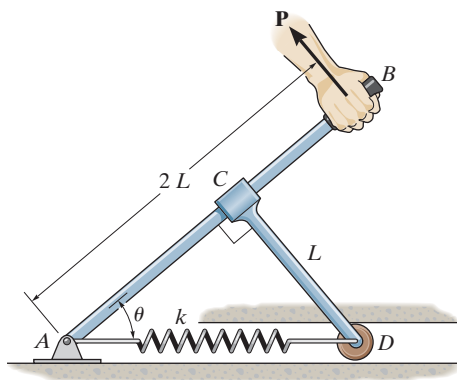
***6-132.** Determine the horizontal and vertical components of reaction that the pins A and B exert on the two-member frame. Set $F = 0$.

•6-133. Determine the horizontal and vertical components of reaction that pins A and B exert on the two-member frame. Set $F = 500$ N.



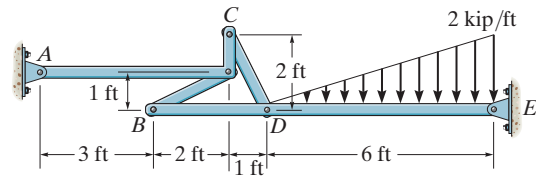
Probs. 6-132/133

6-134. The two-bar mechanism consists of a lever arm AB and smooth link CD , which has a fixed smooth collar at its end C and a roller at the other end D . Determine the force \mathbf{P} needed to hold the lever in the position θ . The spring has a stiffness k and unstretched length $2L$. The roller contacts either the top or bottom portion of the horizontal guide.



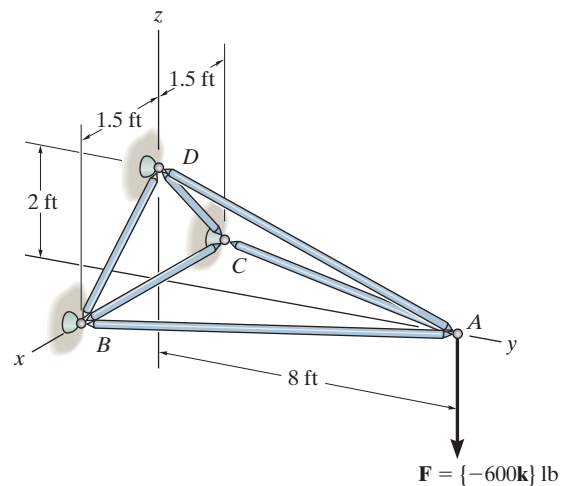
Prob. 6-134

6-135. Determine the horizontal and vertical components of reaction at the pin supports A and E of the compound beam assembly.

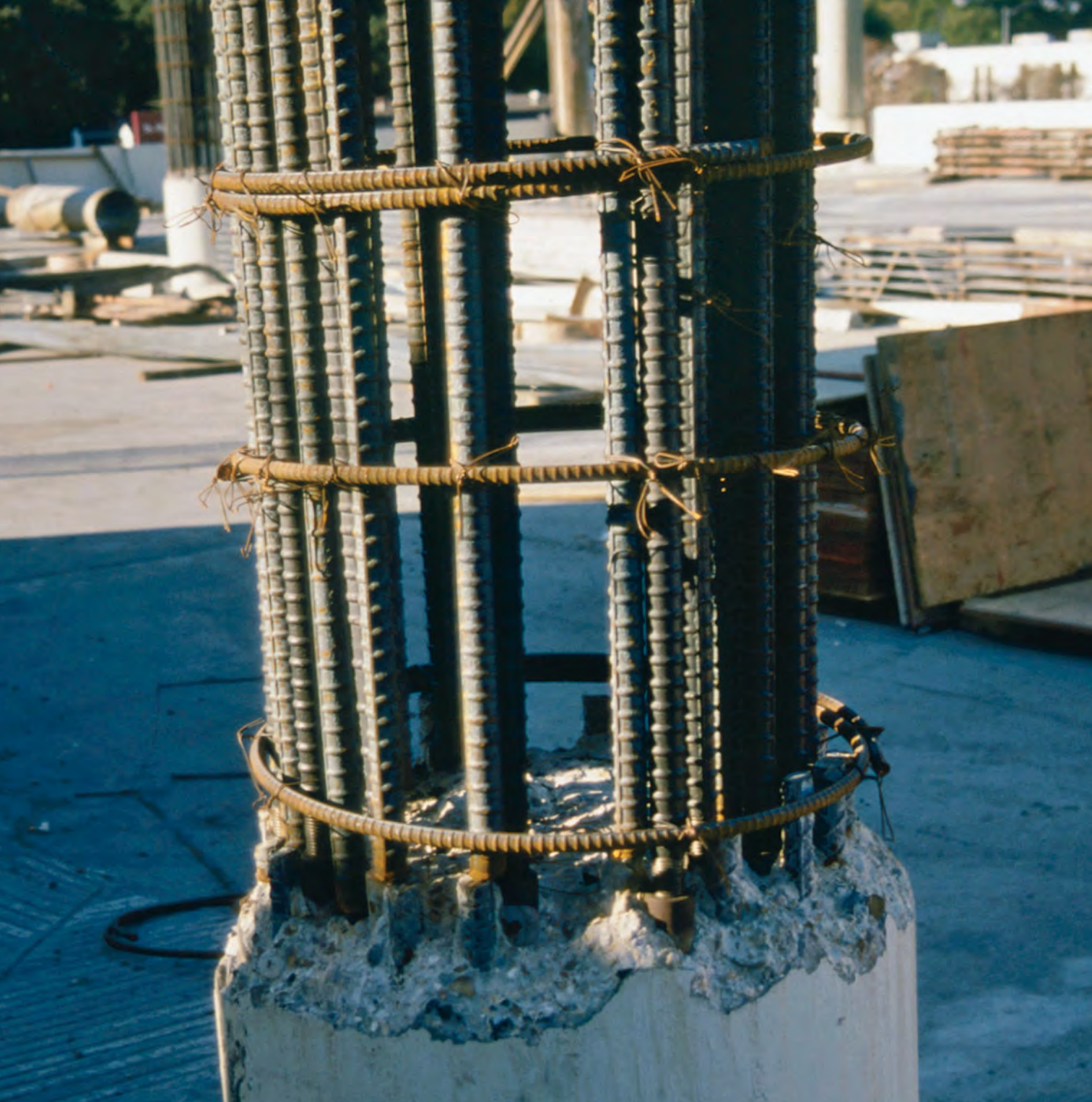


Prob. 6-135

***6-136.** Determine the force in members AB , AD , and AC of the space truss and state if the members are in tension or compression.



Prob. 6-136



These reinforcing rods will be encased in concrete in order to create a building column. The internal loadings developed within the material resist the external loading that is to be placed upon the column.

www.semeng.ir

Internal Forces

7

CHAPTER OBJECTIVES

- To show how to use the method of sections to determine the internal loadings in a member.
- To generalize this procedure by formulating equations that can be plotted so that they describe the internal shear and moment throughout a member.
- To analyze the forces and study the geometry of cables supporting a load.

7.1 Internal Forces Developed in Structural Members

To design a structural or mechanical member it is necessary to know the loading acting within the member in order to be sure the material can resist this loading. Internal loadings can be determined by using the *method of sections*. To illustrate this method, consider the cantilever beam in Fig. 7-1*a*. If the internal loadings acting on the cross section at point *B* are to be determined, we must pass an imaginary section *a-a* perpendicular to the axis of the beam through point *B* and then separate the beam into two segments. The internal loadings acting at *B* will then be exposed and become *external* on the free-body diagram of each segment, Fig. 7-1*b*.

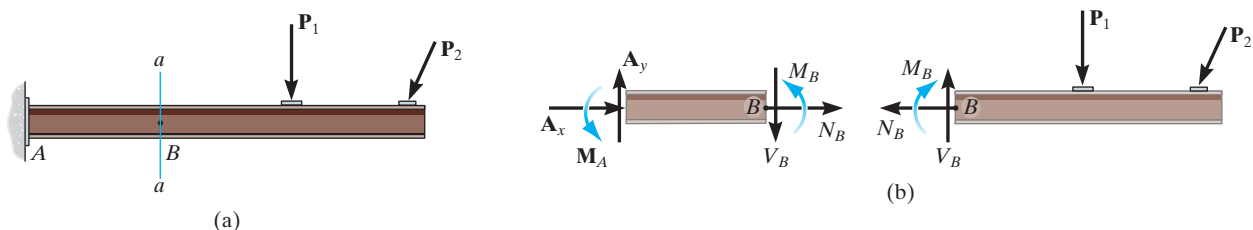
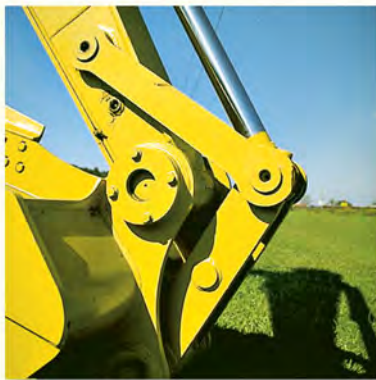


Fig. 7-1



7

In each case, the link on the backhoe is a two-force member. In the top photo it is subjected to both bending and an axial load at its center. By making the member straight, as in the bottom photo, then only an axial force acts within the member.

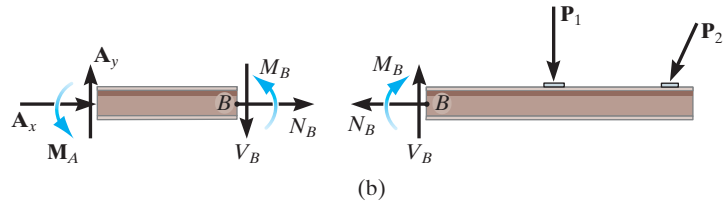


Fig. 7-1

The force component \mathbf{N}_B that acts *perpendicular* to the cross section, is termed the *normal force*. The force component \mathbf{V}_B that is tangent to the cross section is called the *shear force*, and the couple moment \mathbf{M}_B is referred to as the *bending moment*. The force components prevent the relative translation between the two segments, and the couple moment prevents the relative rotation. According to Newton's third law, these loadings must act in opposite directions on each segment, as shown in Fig. 7-1*b*. They can be determined by applying the equations of equilibrium to the free-body diagram of either segment. In this case, however, the right segment is the better choice since it does not involve the unknown support reactions at A . A direct solution for \mathbf{N}_B is obtained by applying $\Sigma F_x = 0$, \mathbf{V}_B is obtained from $\Sigma F_y = 0$, and \mathbf{M}_B can be obtained by applying $\Sigma M_B = 0$, since the moments of \mathbf{N}_B and \mathbf{V}_B about B are zero.

In two dimensions, we have shown that three internal loading resultants exist, Fig. 7-2*a*; however in three dimensions, a general internal force and couple moment resultant will act at the section. The x , y , z components of these loadings are shown in Fig. 7-2*b*. Here \mathbf{N}_y is the *normal force*, and \mathbf{V}_x and \mathbf{V}_z are *shear force components*. \mathbf{M}_y is a *torsional or twisting moment*, and \mathbf{M}_x and \mathbf{M}_z are *bending moment components*. For most applications, these *resultant loadings* will act at the geometric center or centroid (C) of the section's cross-sectional area. Although the magnitude for each loading generally will be different at various points along the axis of the member, the method of sections can always be used to determine their values.

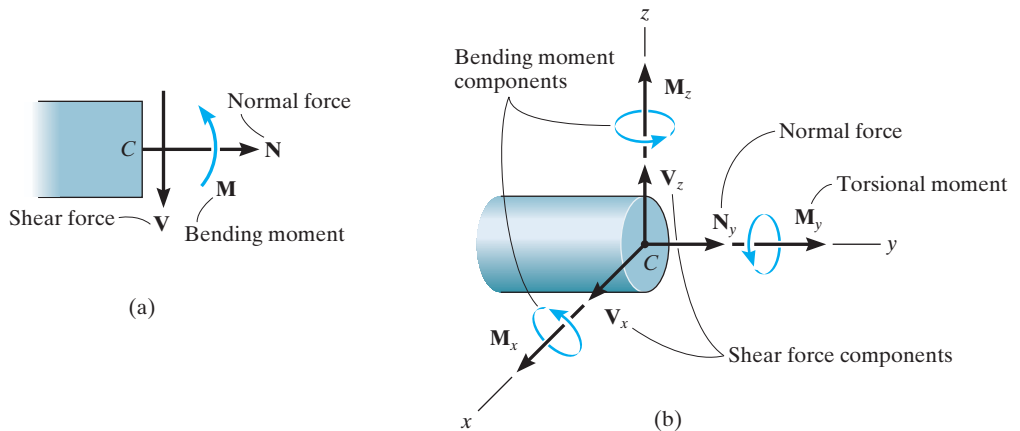
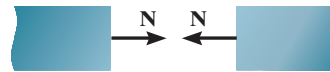


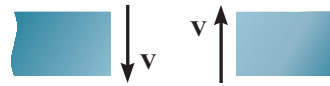
Fig. 7-2

Sign Convention. Engineers generally use a sign convention to report the three internal loadings N , V , and M . Although this sign convention can be arbitrarily assigned, the one that is widely accepted will be used here, Fig. 7–3. The normal force is said to be positive if it creates *tension*, a positive shear force will cause the beam segment on which it acts to rotate clockwise, and a positive bending moment will tend to bend the segment on which it acts in a concave upward manner. Loadings that are opposite to these are considered negative.

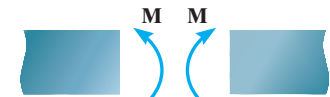
If the member is subjected to a three-dimensional external loading, then the internal loadings are usually expressed as positive or negative, in accordance with an established x, y, z coordinate system such as shown in Fig. 7–2.



Positive normal force



Positive shear



Positive moment



Fig. 7–3

Procedure for Analysis

The method of sections can be used to determine the internal loadings on the cross section of a member using the following procedure.

Support Reactions.

- Before the member is sectioned, it may first be necessary to determine its support reactions, so that the equilibrium equations can be used to solve for the internal loadings only after the member is sectioned.

Free-Body Diagram.

- Keep all distributed loadings, couple moments, and forces acting on the member in their *exact locations*, then pass an imaginary section through the member, perpendicular to its axis at the point where the internal loadings are to be determined.
- After the section is made, draw a free-body diagram of the segment that has the least number of loads on it, and indicate the components of the internal force and couple moment resultants at the cross section acting in their positive directions to the established sign convention.

Equations of Equilibrium.

- Moments should be summed at the section. This way the normal and shear forces at the section are eliminated, and we can obtain a direct solution for the moment.
- If the solution of the equilibrium equations yields a negative scalar, the sense of the quantity is opposite to that shown on the free-body diagram.



The designer of this shop crane realized the need for additional reinforcement around the joint in order to prevent severe internal bending of the joint when a large load is suspended from the chain hoist.

EXAMPLE 7.1

Determine the normal force, shear force, and bending moment acting just to the left, point B , and just to the right, point C , of the 6-kN force on the beam in Fig. 7-4a.

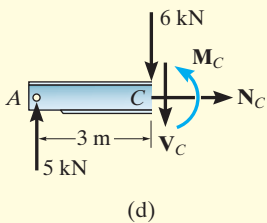
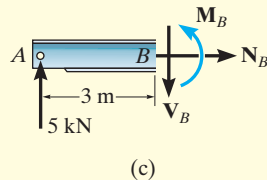
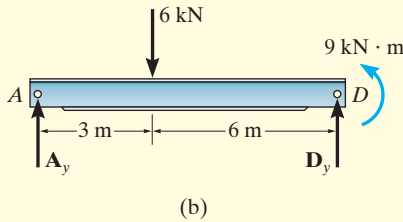
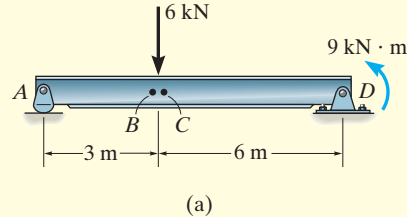


Fig. 7-4

SOLUTION

Support Reactions. The free-body diagram of the beam is shown in Fig. 7-4b. When determining the *external reactions*, realize that the 9-kN·m couple moment is a free vector and therefore it can be placed *anywhere* on the free-body diagram of the entire beam. Here we will only determine A_y , since the left segments will be used for the analysis.

$$\zeta + \sum M_D = 0; \quad 9 \text{ kN} \cdot \text{m} + (6 \text{ kN})(6 \text{ m}) - A_y(9 \text{ m}) = 0$$

$$A_y = 5 \text{ kN}$$

Free-Body Diagrams. The free-body diagrams of the left segments AB and AC of the beam are shown in Figs. 7-4c and 7-4d. In this case the 9-kN·m couple moment is *not included* on these diagrams since it must be kept in its *original position* until *after* the section is made and the appropriate segment is isolated.

Equations of Equilibrium.

Segment AB

$$\rightarrow \sum F_x = 0; \quad N_B = 0 \quad \text{Ans.}$$

$$+\uparrow \sum F_y = 0; \quad 5 \text{ kN} - V_B = 0 \quad V_B = 5 \text{ kN} \quad \text{Ans.}$$

$$\zeta + \sum M_B = 0; \quad -(5 \text{ kN})(3 \text{ m}) + M_B = 0 \quad M_B = 15 \text{ kN} \cdot \text{m} \quad \text{Ans.}$$

Segment AC

$$\rightarrow \sum F_x = 0; \quad N_C = 0 \quad \text{Ans.}$$

$$+\uparrow \sum F_y = 0; \quad 5 \text{ kN} - 6 \text{ kN} - V_C = 0 \quad V_C = -1 \text{ kN} \quad \text{Ans.}$$

$$\zeta + \sum M_C = 0; \quad -(5 \text{ kN})(3 \text{ m}) + M_C = 0 \quad M_C = 15 \text{ kN} \cdot \text{m} \quad \text{Ans.}$$

NOTE: The negative sign indicates that V_C acts in the opposite sense to that shown on the free-body diagram. Also, the moment arm for the 5-kN force in both cases is approximately 3 m since B and C are “almost” coincident.

EXAMPLE 7.2

Determine the normal force, shear force, and bending moment at C of the beam in Fig. 7-5a.

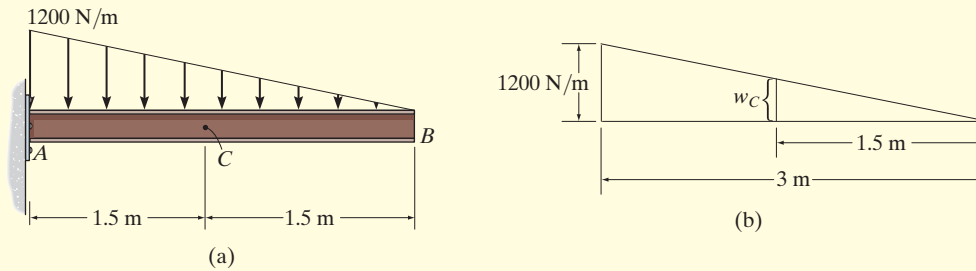


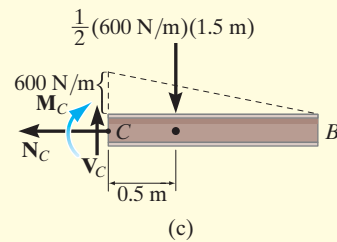
Fig. 7-5

SOLUTION

Free-Body Diagram. It is not necessary to find the support reactions at A since segment BC of the beam can be used to determine the internal loadings at C . The intensity of the triangular distributed load at C is determined using similar triangles from the geometry shown in Fig. 7-5b, i.e.,

$$w_C = (1200 \text{ N/m}) \left(\frac{1.5 \text{ m}}{3 \text{ m}} \right) = 600 \text{ N/m}$$

The distributed load acting on segment BC can now be replaced by its resultant force, and its location is indicated on the free-body diagram, Fig. 7-5c.



Equations of Equilibrium

$$\rightarrow \Sigma F_x = 0; \quad N_C = 0 \quad \text{Ans.}$$

$$+\uparrow \Sigma F_y = 0; \quad V_C - \frac{1}{2}(600 \text{ N/m})(1.5 \text{ m}) = 0$$

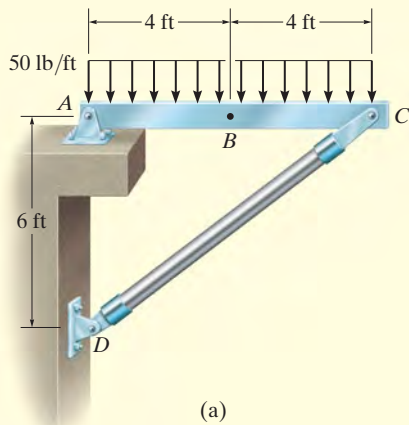
$$V_C = 450 \text{ N} \quad \text{Ans.}$$

$$\zeta + \Sigma M_C = 0; \quad -M_C - \frac{1}{2}(600 \text{ N/m})(1.5 \text{ m})(0.5 \text{ m}) = 0$$

$$M_C = -225 \text{ N} \quad \text{Ans.}$$

The negative sign indicates that M_C acts in the opposite sense to that shown on the free-body diagram.

EXAMPLE 7.3



Determine the normal force, shear force, and bending moment acting at point B of the two-member frame shown in Fig. 7-6a.

SOLUTION

Support Reactions. A free-body diagram of each member is shown in Fig. 7-6b. Since CD is a two-force member, the equations of equilibrium need to be applied only to member AC .

$$\zeta + \Sigma M_A = 0; \quad -400 \text{ lb} (4 \text{ ft}) + \left(\frac{3}{5}\right) F_{DC} (8 \text{ ft}) = 0 \quad F_{DC} = 333.3 \text{ lb}$$

$$\pm \Sigma F_x = 0; \quad -A_x + \left(\frac{4}{5}\right)(333.3 \text{ lb}) = 0 \quad A_x = 266.7 \text{ lb}$$

$$+\uparrow \Sigma F_y = 0; \quad A_y - 400 \text{ lb} + \left(\frac{3}{5}\right)(333.3 \text{ lb}) = 0 \quad A_y = 200 \text{ lb}$$

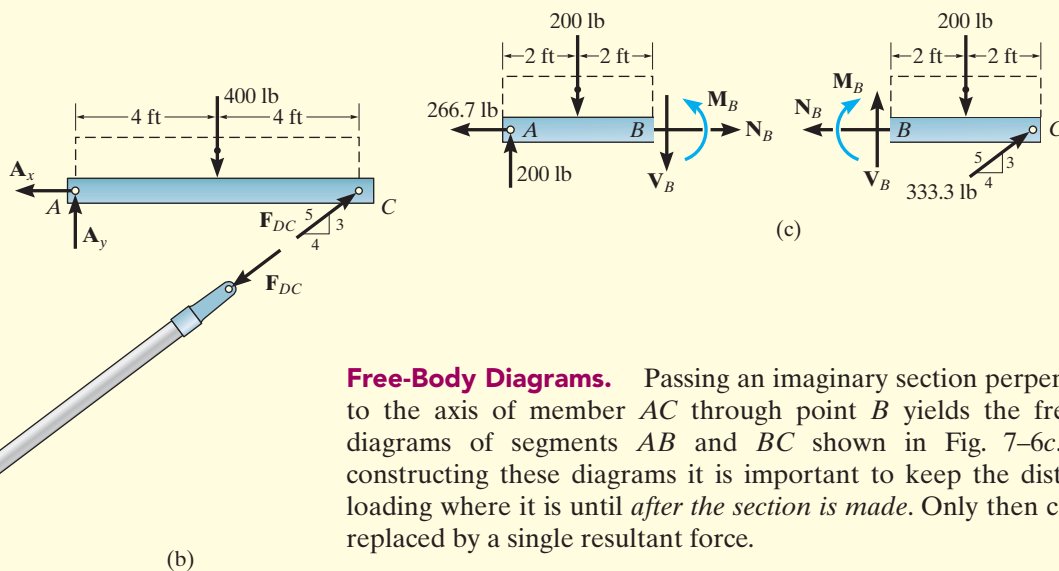


Fig. 7-6

Free-Body Diagrams. Passing an imaginary section perpendicular to the axis of member AC through point B yields the free-body diagrams of segments AB and BC shown in Fig. 7-6c. When constructing these diagrams it is important to keep the distributed loading where it is until *after the section is made*. Only then can it be replaced by a single resultant force.

Equations of Equilibrium. Applying the equations of equilibrium to segment AB , we have

$$\pm \Sigma F_x = 0; \quad N_B - 266.7 \text{ lb} = 0 \quad N_B = 267 \text{ lb} \quad \text{Ans.}$$

$$+\uparrow \Sigma F_y = 0; \quad 200 \text{ lb} - 200 \text{ lb} - V_B = 0 \quad V_B = 0 \quad \text{Ans.}$$

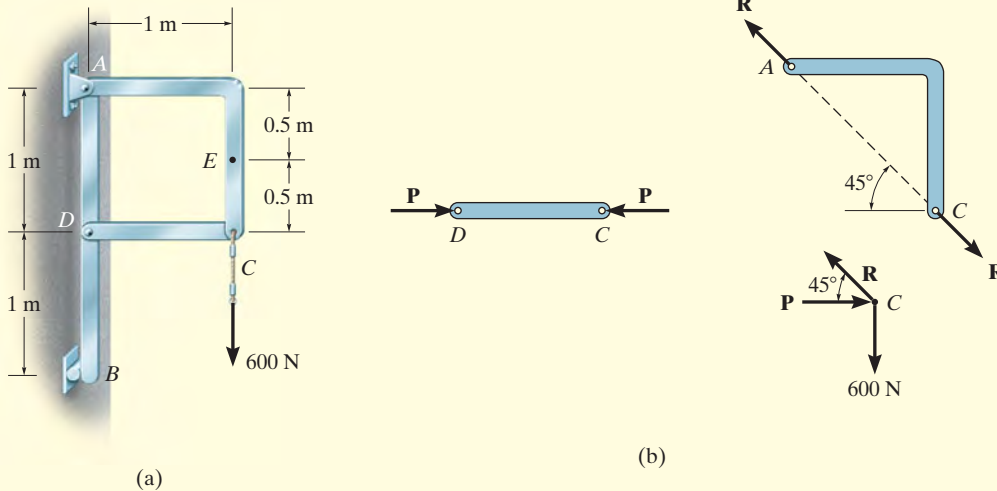
$$\zeta + \Sigma M_B = 0; \quad M_B - 200 \text{ lb} (4 \text{ ft}) + 200 \text{ lb} (2 \text{ ft}) = 0$$

$$M_B = 400 \text{ lb} \cdot \text{ft} \quad \text{Ans.}$$

NOTE: As an exercise, try to obtain these same results using segment BC .

EXAMPLE 7.4

Determine the normal force, shear force, and bending moment acting at point E of the frame loaded as shown in Fig. 7-7a.



SOLUTION

Support Reactions. By inspection, members AC and CD are two-force members, Fig. 7-7b. In order to determine the internal loadings at E , we must first determine the force \mathbf{R} acting at the end of member AC . To obtain it, we will analyze the equilibrium of the pin at C .

Summing forces in the vertical direction on the pin, Fig. 7-7b, we have

$$+\uparrow \Sigma F_y = 0; \quad R \sin 45^\circ - 600 \text{ N} = 0 \quad R = 848.5 \text{ N}$$

Free-Body Diagram. The free-body diagram of segment CE is shown in Fig. 7-7c.

Equations of Equilibrium.

$$\rightarrow \Sigma F_x = 0; \quad 848.5 \cos 45^\circ \text{ N} - V_E = 0 \quad V_E = 600 \text{ N} \quad \text{Ans.}$$

$$+\uparrow \Sigma F_y = 0; \quad -848.5 \sin 45^\circ \text{ N} + N_E = 0 \quad N_E = 600 \text{ N} \quad \text{Ans.}$$

$$\zeta + \Sigma M_E = 0; \quad 848.5 \cos 45^\circ \text{ N}(0.5 \text{ m}) - M_E = 0 \quad M_E = 300 \text{ N} \cdot \text{m} \quad \text{Ans.}$$

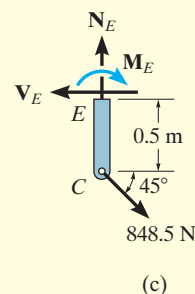


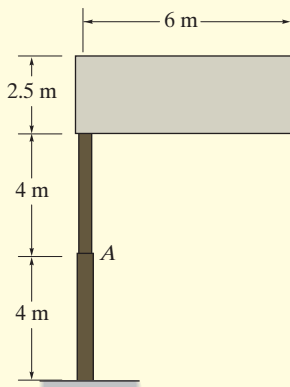
Fig. 7-7

NOTE: These results indicate a poor design. Member AC should be *straight* (from A to C) so that bending within the member is *eliminated*. If AC were straight then the internal force would only create tension in the member.

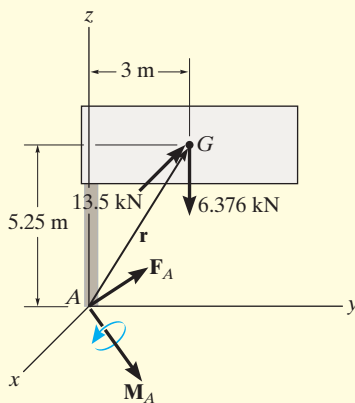
EXAMPLE 7.5



(a)



(b)



(c)

Fig. 7-8

The uniform sign shown in Fig. 7-8a has a mass of 650 kg and is supported on the fixed column. Design codes indicate that the expected maximum uniform wind loading that will occur in the area where it is located is 900 Pa. Determine the internal loadings at A.

SOLUTION

The idealized model for the sign is shown in Fig. 7-8b. Here the necessary dimensions are indicated. We can consider the free-body diagram of a section above point A since it does not involve the support reactions.

Free-Body Diagram. The sign has a weight of $W = 650(9.81) \text{ N} = 6.376 \text{ kN}$, and the wind creates a resultant force of $F_w = 900 \text{ N/m}^2(6 \text{ m})(2.5 \text{ m}) = 13.5 \text{ kN}$, which acts perpendicular to the face of the sign. These loadings are shown on the free-body diagram, Fig. 7-8c.

Equations of Equilibrium. Since the problem is three dimensional, a vector analysis will be used.

$$\Sigma \mathbf{F} = \mathbf{0}; \quad \mathbf{F}_A - 13.5\mathbf{i} - 6.376\mathbf{k} = \mathbf{0}$$

$$\mathbf{F}_A = \{13.5\mathbf{i} + 6.38\mathbf{k}\} \text{ kN} \quad \text{Ans.}$$

$$\Sigma \mathbf{M}_A = \mathbf{0}; \quad \mathbf{M}_A + \mathbf{r} \times (\mathbf{F}_w + \mathbf{W}) = \mathbf{0}$$

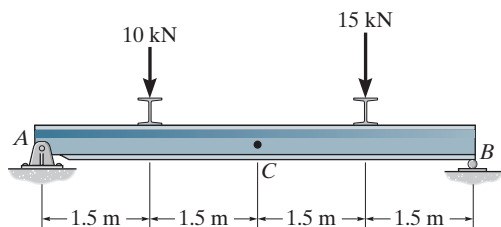
$$\mathbf{M}_A + \begin{vmatrix} \mathbf{i} & \mathbf{j} & \mathbf{k} \\ 0 & 3 & 5.25 \\ -13.5 & 0 & -6.376 \end{vmatrix} = \mathbf{0}$$

$$\mathbf{M}_A = \{19.1\mathbf{i} + 70.9\mathbf{j} - 40.5\mathbf{k}\} \text{ kN} \cdot \text{m} \quad \text{Ans.}$$

NOTE: Here $\mathbf{F}_{A_z} = \{6.38\mathbf{k}\} \text{ kN}$ represents the normal force, whereas $\mathbf{F}_{A_x} = \{13.5\mathbf{i}\} \text{ kN}$ is the shear force. Also, the torsional moment is $\mathbf{M}_{A_z} = \{-40.5\mathbf{k}\} \text{ kN} \cdot \text{m}$, and the bending moment is determined from its components $\mathbf{M}_{A_x} = \{19.1\mathbf{i}\} \text{ kN} \cdot \text{m}$ and $\mathbf{M}_{A_y} = \{70.9\mathbf{j}\} \text{ kN} \cdot \text{m}$; i.e., $(M_b)_A = \sqrt{(M_A)_x^2 + (M_A)_y^2} = 73.4 \text{ kN} \cdot \text{m}$.

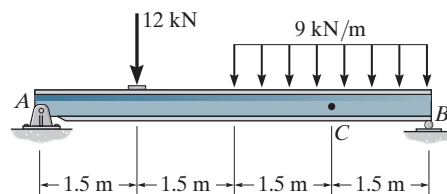
FUNDAMENTAL PROBLEMS

F7-1. Determine the normal force, shear force, and moment at point C .



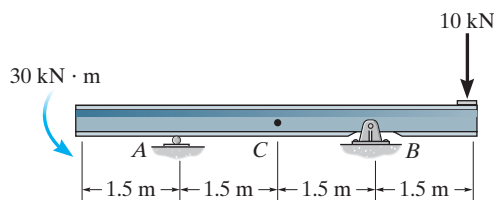
F7-1

F7-4. Determine the normal force, shear force, and moment at point C .



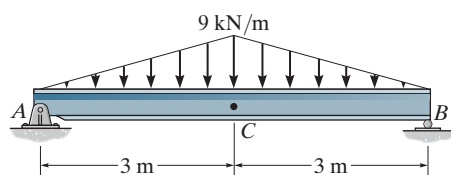
F7-4

F7-2. Determine the normal force, shear force, and moment at point C .



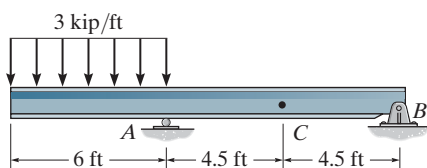
F7-2

F7-5. Determine the normal force, shear force, and moment at point C .



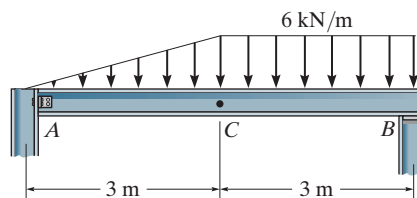
F7-5

F7-3. Determine the normal force, shear force, and moment at point C .



F7-3

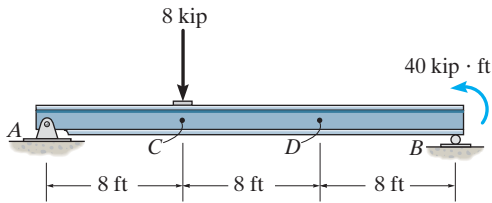
F7-6. Determine the normal force, shear force, and moment at point C . Assume A is pinned and B is a roller.



F7-6

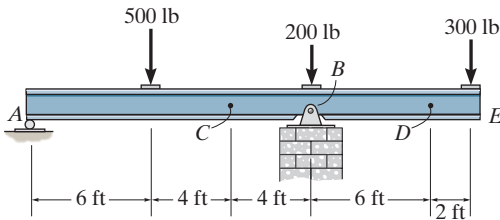
PROBLEMS

•7-1. Determine the internal normal force and shear force, and the bending moment in the beam at points C and D . Assume the support at B is a roller. Point C is located just to the right of the 8-kip load.



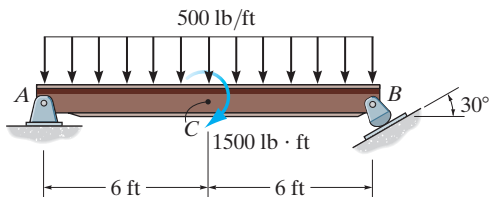
Prob. 7-1

7-2. Determine the shear force and moment at points C and D .



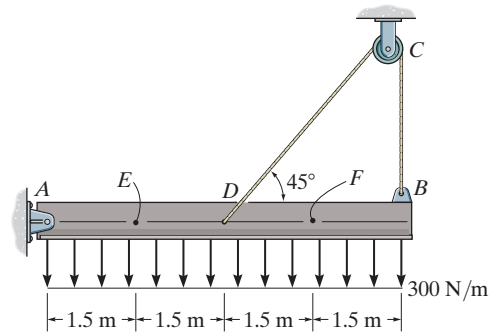
Prob. 7-2

7-3. Determine the internal normal force, shear force, and moment at point C in the simply supported beam. Point C is located just to the right of the 1500-lb·ft couple moment.



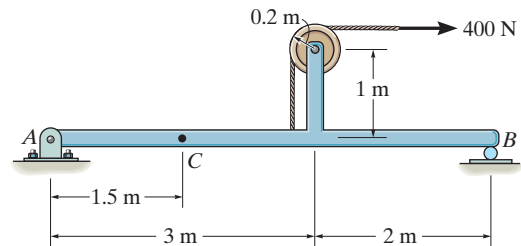
Prob. 7-3

***7-4.** Determine the internal normal force, shear force, and moment at points E and F in the beam.



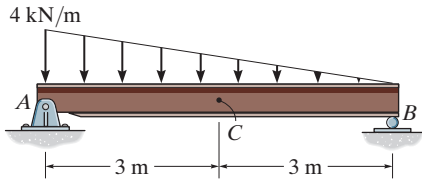
Prob. 7-4

•7-5. Determine the internal normal force, shear force, and moment at point C .



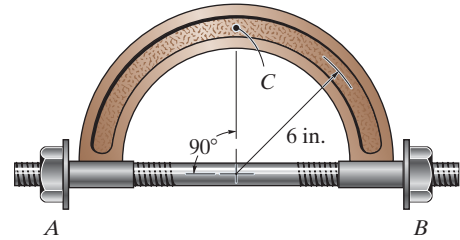
Prob. 7-5

7-6. Determine the internal normal force, shear force, and moment at point C in the simply supported beam.



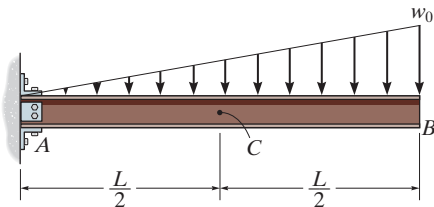
Prob. 7-6

7-9. The bolt shank is subjected to a tension of 80 lb. Determine the internal normal force, shear force, and moment at point C .



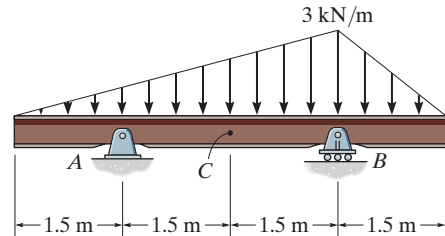
Prob. 7-9

7-7. Determine the internal normal force, shear force, and moment at point C in the cantilever beam.



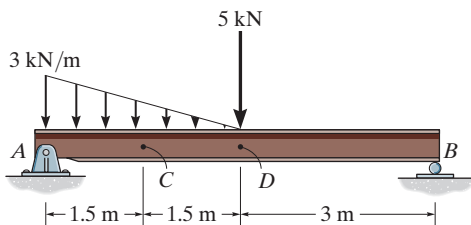
Prob. 7-7

7-10. Determine the internal normal force, shear force, and moment at point C in the double-overhang beam.



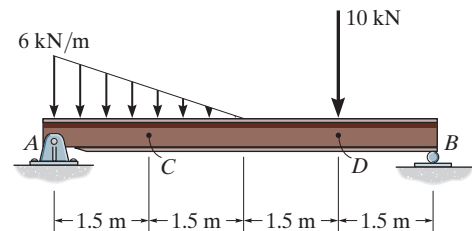
Prob. 7-10

***7-8.** Determine the internal normal force, shear force, and moment at points C and D in the simply supported beam. Point D is located just to the left of the 5-kN force.



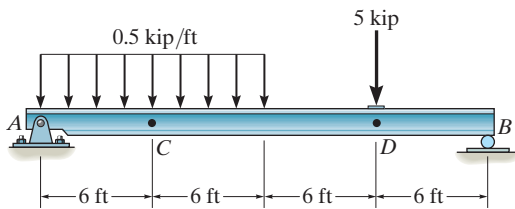
Prob. 7-8

7-11. Determine the internal normal force, shear force, and moment at points C and D in the simply supported beam. Point D is located just to the left of the 10-kN concentrated load.



Prob. 7-11

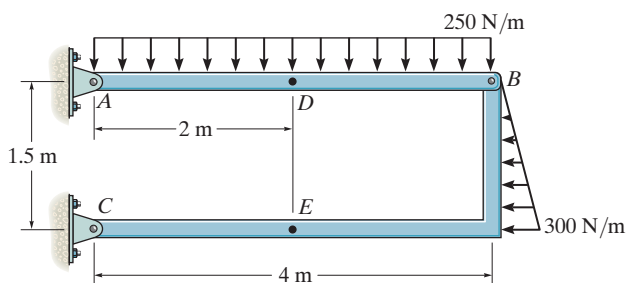
***7-12.** Determine the internal normal force, shear force, and moment in the beam at points C and D . Point D is just to the right of the 5-kip load.



Prob. 7-12

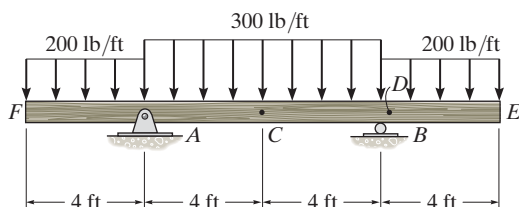
•7-13. Determine the internal normal force, shear force, and moment at point D of the two-member frame.

7-14. Determine the internal normal force, shear force, and moment at point E of the two-member frame.



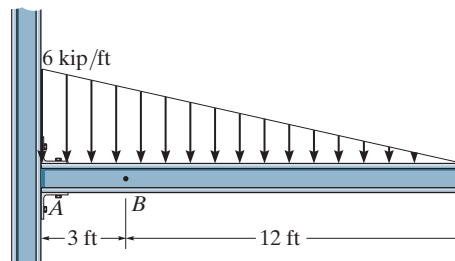
Probs. 7-13/14

7-15. Determine the internal normal force, shear force, and moment acting at point C and at point D , which is located just to the right of the roller support at B .



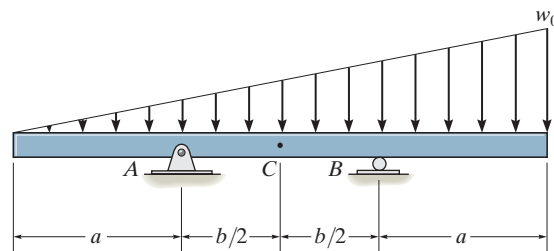
Prob. 7-15

***7-16.** Determine the internal normal force, shear force, and moment in the cantilever beam at point B .



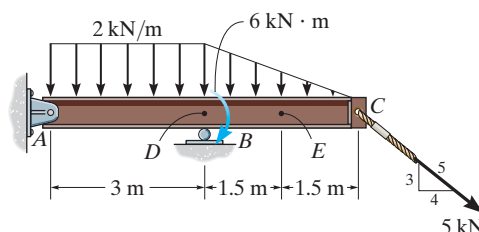
Prob. 7-16

•7-17. Determine the ratio of a/b for which the shear force will be zero at the midpoint C of the double-overhang beam.



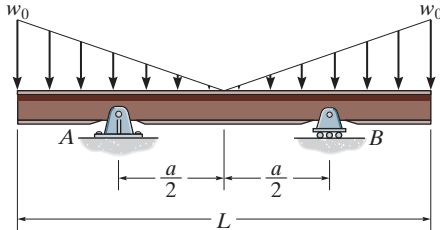
Prob. 7-17

7-18. Determine the internal normal force, shear force, and moment at points D and E in the overhang beam. Point D is located just to the left of the roller support at B , where the couple moment acts.



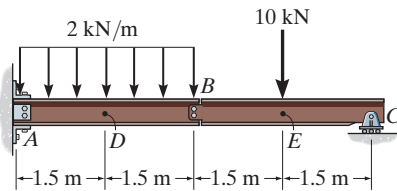
Prob. 7-18

7-19. Determine the distance a in terms of the beam's length L between the symmetrically placed supports A and B so that the internal moment at the center of the beam is zero.



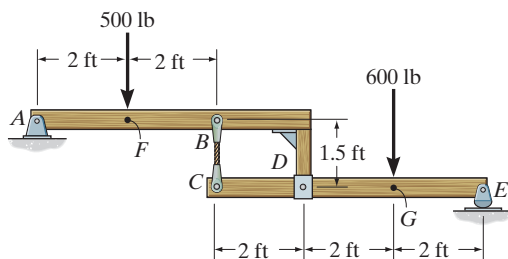
Prob. 7-19

***7-20.** Determine the internal normal force, shear force, and moment at points D and E in the compound beam. Point E is located just to the left of the 10-kN concentrated load. Assume the support at A is fixed and the connection at B is a pin.



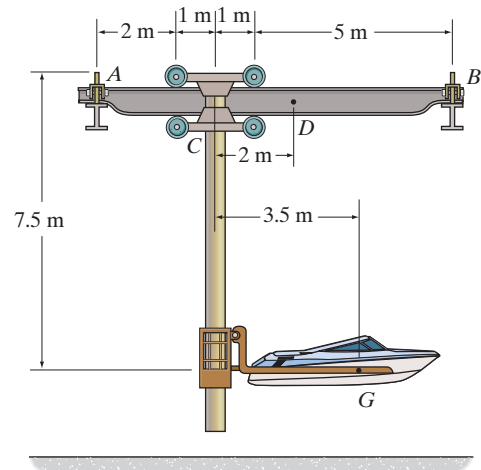
Prob. 7-20

•7-21. Determine the internal normal force, shear force, and moment at points F and G in the compound beam. Point F is located just to the right of the 500-lb force, while point G is located just to the right of the 600-lb force.



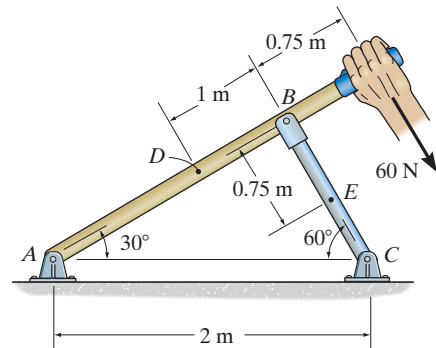
Prob. 7-21

7-22. The stacker crane supports a 1.5-Mg boat with the center of mass at G . Determine the internal normal force, shear force, and moment at point D in the girder. The trolley is free to roll along the girder rail and is located at the position shown. Only vertical reactions occur at A and B .



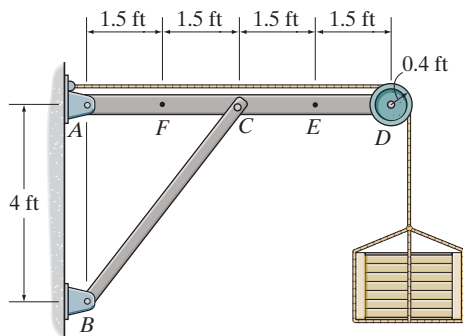
Prob. 7-22

7-23. Determine the internal normal force, shear force, and moment at points D and E in the two members.



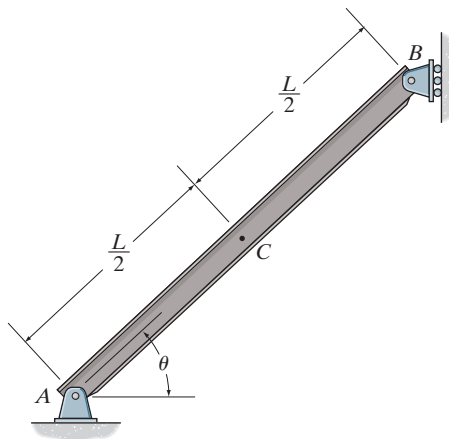
Prob. 7-23

*7-24. Determine the internal normal force, shear force, and moment at points F and E in the frame. The crate weighs 300 lb.



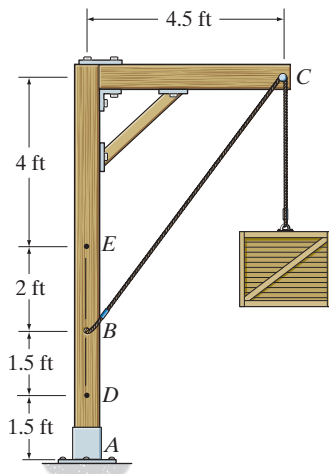
Prob. 7-24

7-26. The beam has a weight w per unit length. Determine the internal normal force, shear force, and moment at point C due to its weight.



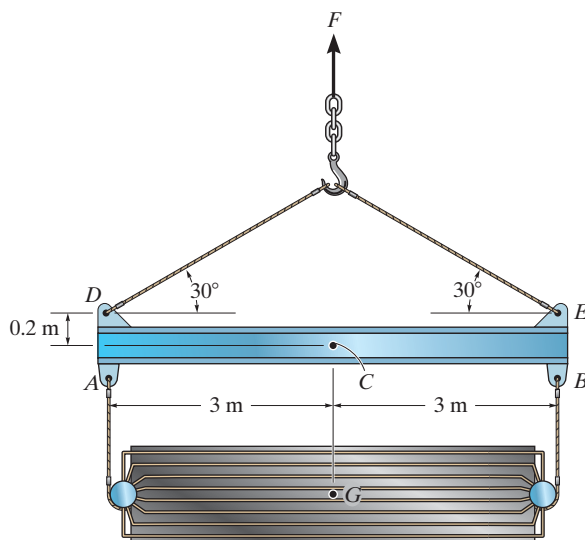
Prob. 7-26

7-25. Determine the internal normal force, shear force, and moment at points D and E of the frame which supports the 200-lb crate. Neglect the size of the smooth peg at C .



Prob. 7-25

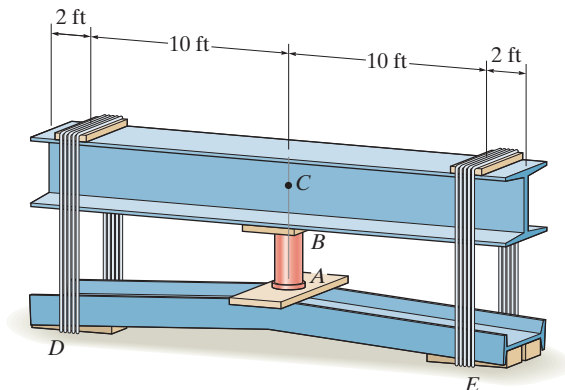
7-27. Determine the internal normal force, shear force, and moment acting at point C . The cooling unit has a total mass of 225 kg with a center of mass at G .



Prob. 7-27

*7-28. The jack AB is used to straighten the bent beam DE using the arrangement shown. If the axial compressive force in the jack is 5000 lb, determine the internal moment developed at point C of the top beam. Neglect the weight of the beams.

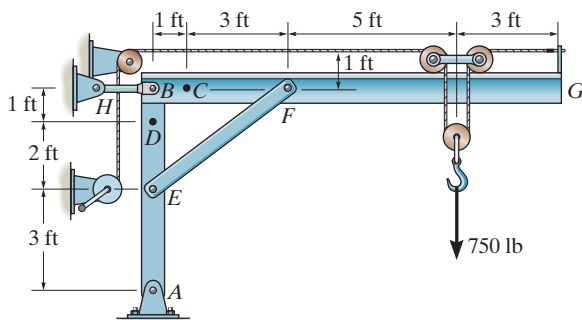
•7-29. Solve Prob. 7-28 assuming that each beam has a uniform weight of 150 lb/ft.



Probs. 7-28/29

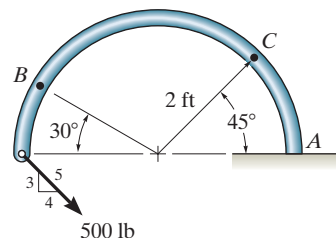
7-30. The jib crane supports a load of 750 lb from the trolley which rides on the top of the jib. Determine the internal normal force, shear force, and moment in the jib at point C when the trolley is at the position shown. The crane members are pinned together at B , E and F and supported by a short link BH .

7-31. The jib crane supports a load of 750 lb from the trolley which rides on the top of the jib. Determine the internal normal force, shear force, and moment in the column at point D when the trolley is at the position shown. The crane members are pinned together at B , E and F and supported by a short link BH .



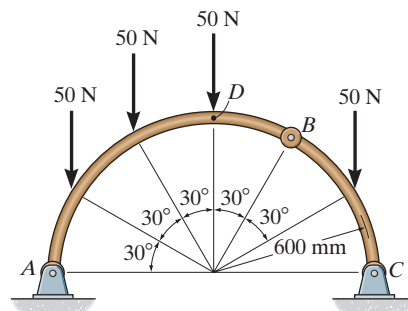
Probs. 7-30/31

*7-32. Determine the internal normal force, shear force, and moment acting at points B and C on the curved rod.



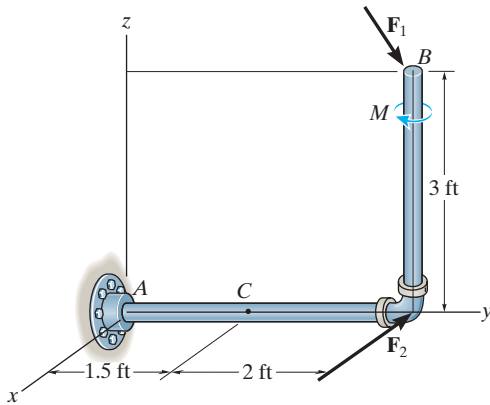
Prob. 7-32

•7-33. Determine the internal normal force, shear force, and moment at point D which is located just to the right of the 50-N force.



Prob. 7-33

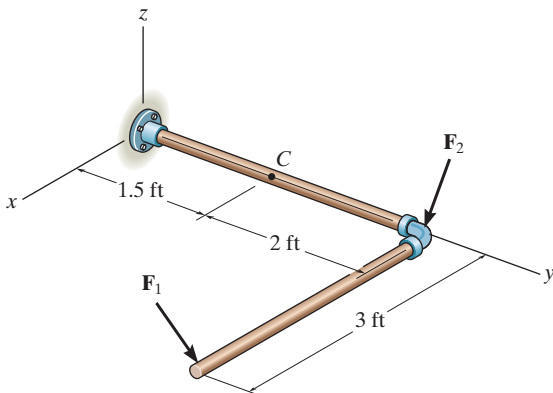
7-34. Determine the x, y, z components of internal loading at point C in the pipe assembly. Neglect the weight of the pipe. The load is $\mathbf{F}_1 = \{-24\mathbf{i} - 10\mathbf{k}\}$ lb, $\mathbf{F}_2 = \{-80\mathbf{i}\}$ lb, and $\mathbf{M} = \{-30\mathbf{k}\}$ lb \cdot ft.



Prob. 7-34

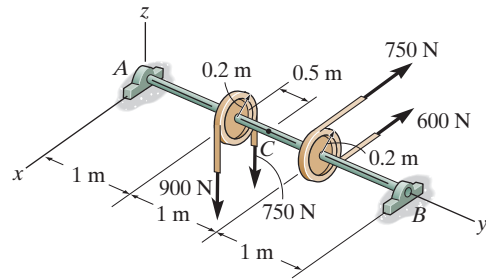
7-35. Determine the x, y, z components of internal loading at a section passing through point C in the pipe assembly. Neglect the weight of the pipe. Take $\mathbf{F}_1 = \{350\mathbf{j} - 400\mathbf{k}\}$ lb and $\mathbf{F}_2 = \{150\mathbf{i} - 300\mathbf{k}\}$ lb.

***7-36.** Determine the x, y, z components of internal loading at a section passing through point C in the pipe assembly. Neglect the weight of the pipe. Take $\mathbf{F}_1 = \{-80\mathbf{i} + 200\mathbf{j} - 300\mathbf{k}\}$ lb and $\mathbf{F}_2 = \{250\mathbf{i} - 150\mathbf{j} - 200\mathbf{k}\}$ lb.



Probs. 7-35/36

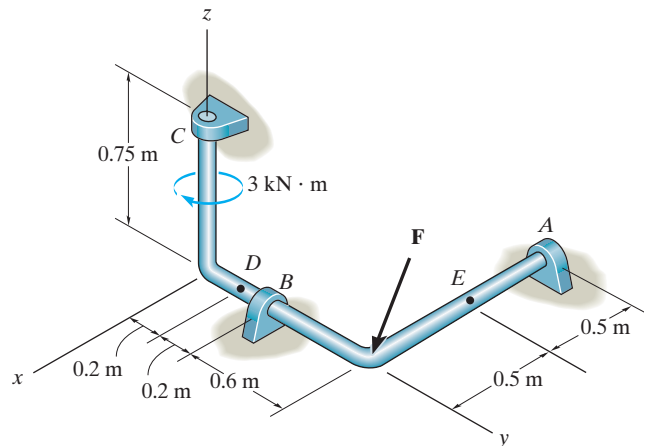
•7-37. The shaft is supported by a thrust bearing at A and a journal bearing at B . Determine the x, y, z components of internal loading at point C .



Prob. 7-37

7-38. Determine the x, y, z components of internal loading in the rod at point D . There are journal bearings at A, B , and C . Take $\mathbf{F} = \{7\mathbf{i} - 12\mathbf{j} - 5\mathbf{k}\}$ kN.

7-39. Determine the x, y, z components of internal loading in the rod at point E . Take $\mathbf{F} = \{7\mathbf{i} - 12\mathbf{j} - 5\mathbf{k}\}$ kN.



Probs. 7-38/39

*7.2 Shear and Moment Equations and Diagrams

Beams are structural members designed to support loadings applied perpendicular to their axes. In general, they are long and straight and have a constant cross-sectional area. They are often classified as to how they are supported. For example, a *simply supported beam* is pinned at one end and roller supported at the other, as in Fig. 7–9a, whereas a *cantilevered beam* is fixed at one end and free at the other. The actual design of a beam requires a detailed knowledge of the *variation* of the internal shear force V and bending moment M acting at *each point* along the axis of the beam.*

These *variations* of V and M along the beam's axis can be obtained by using the method of sections discussed in Sec. 7.1. In this case, however, it is necessary to section the beam at an arbitrary distance x from one end and then apply the equations of equilibrium to the segment having the length x . Doing this we can then obtain V and M as functions of x .

In general, the internal shear and bending-moment functions will be discontinuous, or their slopes will be discontinuous, at points where a distributed load changes or where concentrated forces or couple moments are applied. Because of this, these functions must be determined for *each segment* of the beam located between any two discontinuities of loading. For example, segments having lengths x_1 , x_2 , and x_3 will have to be used to describe the variation of V and M along the length of the beam in Fig. 7–9a. These functions will be valid *only* within regions from O to a for x_1 , from a to b for x_2 , and from b to L for x_3 . If the resulting functions of x are plotted, the graphs are termed the *shear diagram* and *bending-moment diagram*, Fig. 7–9b and Fig. 7–9c, respectively.



To save on material and thereby produce an efficient design, these beams, also called girders, have been tapered, since the internal moment in the beam will be larger at the supports, or piers, than at the center of the span.

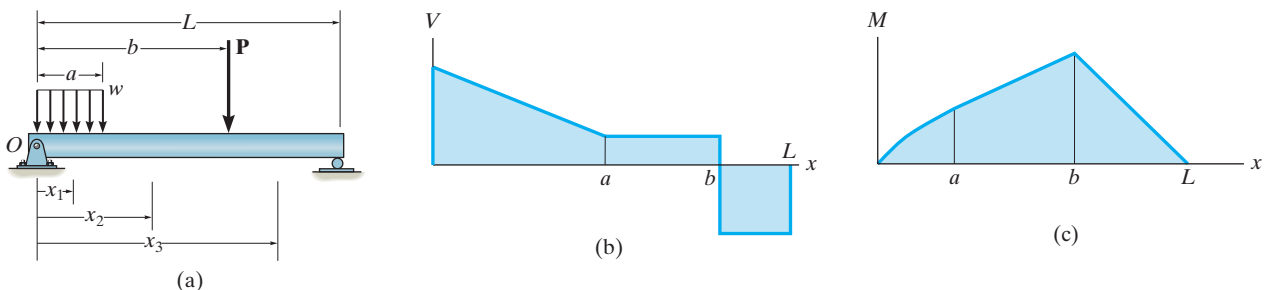


Fig. 7–9

*The internal normal force is not considered for two reasons. In most cases, the loads applied to a beam act perpendicular to the beam's axis and hence produce only an internal shear force and bending moment. And for design purposes, the beam's resistance to shear, and particularly to bending, is more important than its ability to resist a normal force.

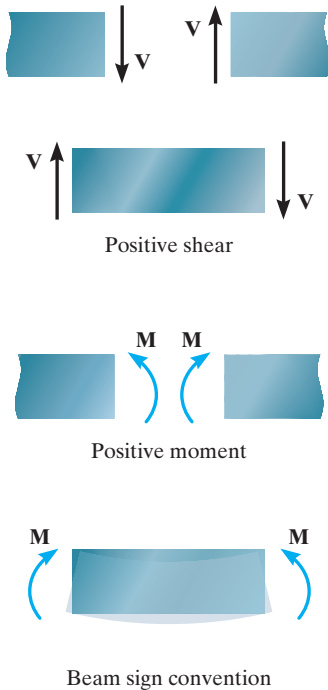


Fig. 7-10



This extended towing arm must resist both bending and shear loadings throughout its length due to the weight of the vehicle. The variation of these loadings must be known if the arm is to be properly designed.

Procedure for Analysis

The shear and bending-moment diagrams for a beam can be constructed using the following procedure.

Support Reactions.

- Determine all the reactive forces and couple moments acting on the beam and resolve all the forces into components acting perpendicular and parallel to the beam's axis.

Shear and Moment Functions.

- Specify separate coordinates x having an origin at the beam's left end and extending to regions of the beam *between* concentrated forces and/or couple moments, or where the distributed loading is continuous.
- Section the beam at each distance x and draw the free-body diagram of one of the segments. Be sure \mathbf{V} and \mathbf{M} are shown acting in their *positive sense*, in accordance with the sign convention given in Fig. 7-10.
- The shear V is obtained by summing forces perpendicular to the beam's axis.
- The moment M is obtained by summing moments about the sectioned end of the segment.

Shear and Moment Diagrams.

- Plot the shear diagram (V versus x) and the moment diagram (M versus x). If computed values of the functions describing V and M are *positive*, the values are plotted above the x axis, whereas *negative* values are plotted below the x axis.
- Generally, it is convenient to plot the shear and bending-moment diagrams directly below the free-body diagram of the beam.

EXAMPLE 7.6

Draw the shear and moment diagrams for the shaft shown in Fig. 7–11a. The support at A is a thrust bearing and the support at C is a journal bearing.

SOLUTION

Support Reactions. The support reactions are shown on the shaft's free-body diagram, Fig. 7–11d.

Shear and Moment Functions. The shaft is sectioned at an arbitrary distance x from point A , extending within the region AB , and the free-body diagram of the left segment is shown in Fig. 7–11b. The unknowns \mathbf{V} and \mathbf{M} are assumed to act in the *positive sense* on the right-hand face of the segment according to the established sign convention. Applying the equilibrium equations yields

$$+\uparrow \Sigma F_y = 0; \quad V = 2.5 \text{ kN} \quad (1)$$

$$\zeta + \Sigma M = 0; \quad M = 2.5x \text{ kN} \cdot \text{m} \quad (2)$$

A free-body diagram for a left segment of the shaft extending a distance x within the region BC is shown in Fig. 7–11c. As always, \mathbf{V} and \mathbf{M} are shown acting in the positive sense. Hence,

$$+\uparrow \Sigma F_y = 0; \quad 2.5 \text{ kN} - 5 \text{ kN} - V = 0$$

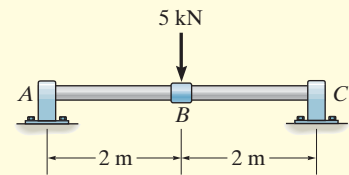
$$V = -2.5 \text{ kN} \quad (3)$$

$$\zeta + \Sigma M = 0; \quad M + 5 \text{ kN}(x - 2 \text{ m}) - 2.5 \text{ kN}(x) = 0$$

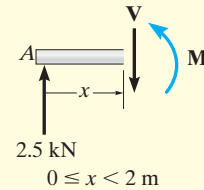
$$M = (10 - 2.5x) \text{ kN} \cdot \text{m} \quad (4)$$

Shear and Moment Diagrams. When Eqs. 1 through 4 are plotted within the regions in which they are valid, the shear and moment diagrams shown in Fig. 7–11d are obtained. The shear diagram indicates that the internal shear force is always 2.5 kN (positive) within segment AB . Just to the right of point B , the shear force changes sign and remains at a constant value of -2.5 kN for segment BC . The moment diagram starts at zero, increases linearly to point B at $x = 2$ m, where $M_{\max} = 2.5 \text{ kN}(2 \text{ m}) = 5 \text{ kN} \cdot \text{m}$, and thereafter decreases back to zero.

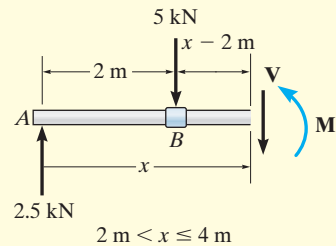
NOTE: It is seen in Fig. 7–11d that the graphs of the shear and moment diagrams are discontinuous where the concentrated force acts, i.e., at points A , B , and C . For this reason, as stated earlier, it is necessary to express both the shear and moment functions separately for regions between concentrated loads. It should be realized, however, that all loading discontinuities are mathematical, arising from the *idealization of a concentrated force and couple moment*. Physically, loads are always applied over a finite area, and if the actual load variation could be accounted for, the shear and moment diagrams would then be continuous over the shaft's entire length.



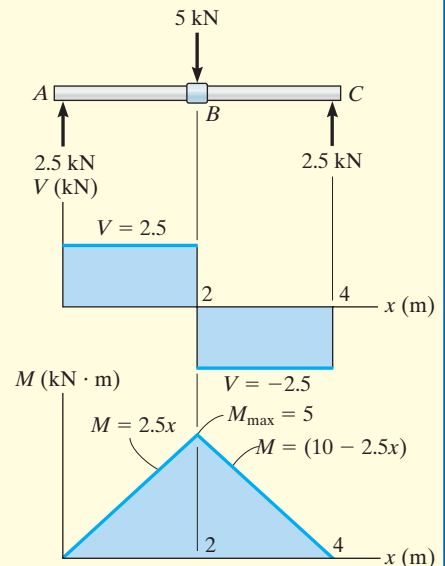
(a)



(b)



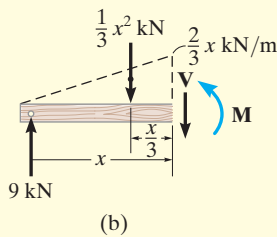
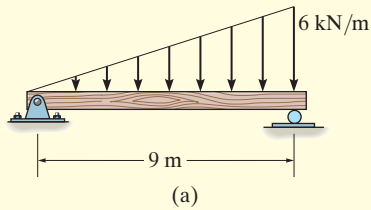
(c)



(d)

Fig. 7–11

EXAMPLE 7.7



Draw the shear and moment diagrams for the beam shown in Fig. 7-12a.

SOLUTION

Support Reactions. The support reactions are shown on the beam's free-body diagram, Fig. 7-12c.

Shear and Moment Functions. A free-body diagram for a left segment of the beam having a length x is shown in Fig. 7-12b. Due to proportional triangles, the distributed loading acting at the end of this segment has an intensity of $w/x = 6/9$ or $w = (2/3)x$. It is replaced by a resultant force *after* the segment is isolated as a free-body diagram. The *magnitude* of the resultant force is equal to $\frac{1}{2}(x)(\frac{2}{3}x) = \frac{1}{3}x^2$. This force *acts through the centroid* of the distributed loading area, a distance $\frac{1}{3}x$ from the right end. Applying the two equations of equilibrium yields

$$+\uparrow \Sigma F_y = 0; \quad 9 - \frac{1}{3}x^2 - V = 0$$

$$V = \left(9 - \frac{x^2}{3}\right) \text{ kN} \quad (1)$$

$$\zeta + \Sigma M = 0; \quad M + \frac{1}{3}x^2\left(\frac{x}{3}\right) - 9x = 0$$

$$M = \left(9x - \frac{x^3}{9}\right) \text{ kN} \cdot \text{m} \quad (2)$$

Shear and Moment Diagrams. The shear and moment diagrams shown in Fig. 7-12c are obtained by plotting Eqs. 1 and 2.

The point of *zero shear* can be found using Eq. 1:

$$V = 9 - \frac{x^2}{3} = 0$$

$$x = 5.20 \text{ m}$$

NOTE: It will be shown in Sec. 7-3 that this value of x happens to represent the point on the beam where the *maximum moment* occurs. Using Eq. 2, we have

$$M_{\max} = \left(9(5.20) - \frac{(5.20)^3}{9}\right) \text{ kN} \cdot \text{m}$$

$$= 31.2 \text{ kN} \cdot \text{m}$$

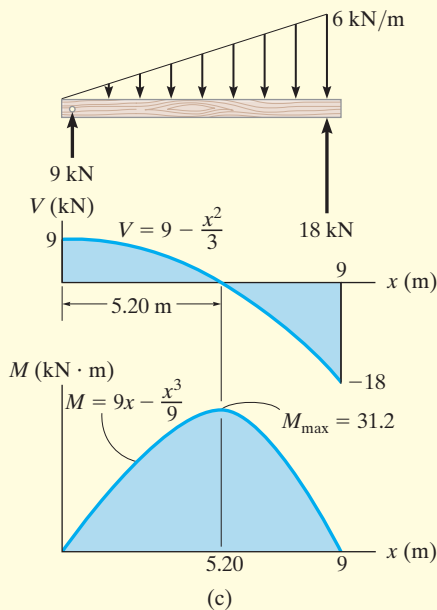
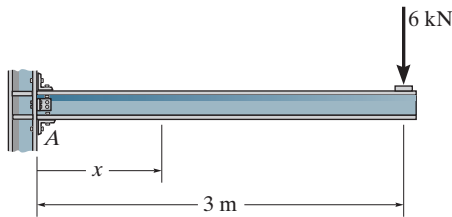


Fig. 7-12

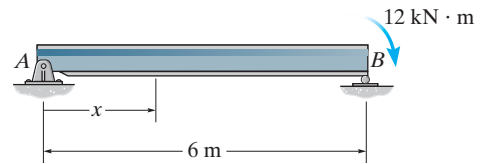
FUNDAMENTAL PROBLEMS

F7-7. Determine the shear and moment as a function of x , and then draw the shear and moment diagrams.



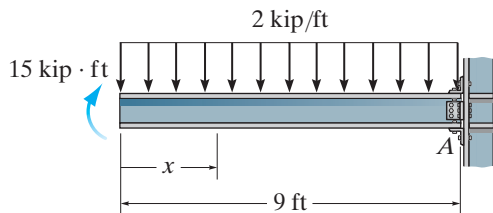
F7-7

F7-10. Determine the shear and moment as a function of x , and then draw the shear and moment diagrams.



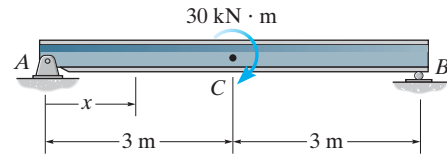
F7-10

F7-8. Determine the shear and moment as a function of x , and then draw the shear and moment diagrams.



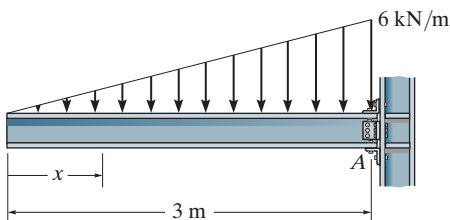
F7-8

F7-11. Determine the shear and moment as a function of x , where $0 \leq x < 3$ m and $3 \text{ m} < x \leq 6$ m, and then draw the shear and moment diagrams.



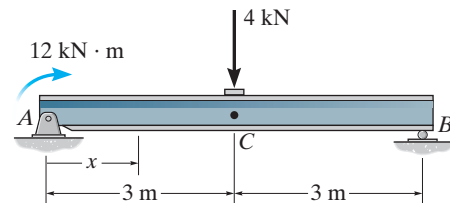
F7-11

F7-9. Determine the shear and moment as a function of x , and then draw the shear and moment diagrams.



F7-9

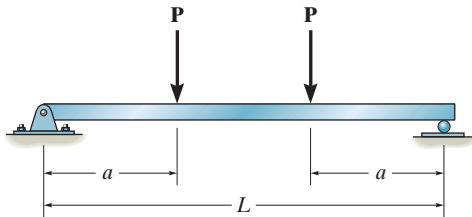
F7-12. Determine the shear and moment as a function of x , where $0 \leq x < 3$ m and $3 \text{ m} < x \leq 6$ m, and then draw the shear and moment diagrams.



F7-12

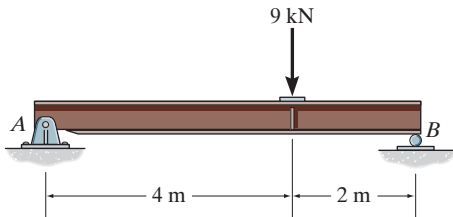
PROBLEMS

***7-40.** Draw the shear and moment diagrams for the beam (a) in terms of the parameters shown; (b) set $P = 800 \text{ lb}$, $a = 5 \text{ ft}$, $L = 12 \text{ ft}$.



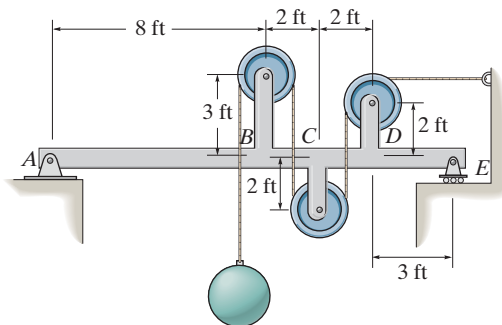
Prob. 7-40

•7-41. Draw the shear and moment diagrams for the simply supported beam.



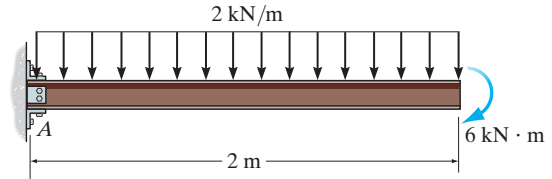
Prob. 7-41

7-42. Draw the shear and moment diagrams for the beam *ABCDE*. All pulleys have a radius of 1 ft. Neglect the weight of the beam and pulley arrangement. The load weighs 500 lb.



Prob. 7-42

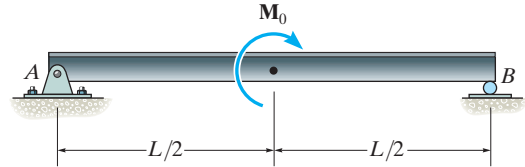
7-43. Draw the shear and moment diagrams for the cantilever beam.



Prob. 7-43

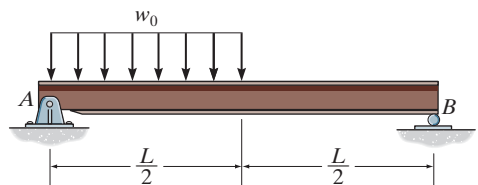
***7-44.** Draw the shear and moment diagrams for the beam (a) in terms of the parameters shown; (b) set $M_0 = 500 \text{ N} \cdot \text{m}$, $L = 8 \text{ m}$.

•7-45. If $L = 9 \text{ m}$, the beam will fail when the maximum shear force is $V_{\max} = 5 \text{ kN}$ or the maximum bending moment is $M_{\max} = 22 \text{ kN} \cdot \text{m}$. Determine the largest couple moment M_0 the beam will support.



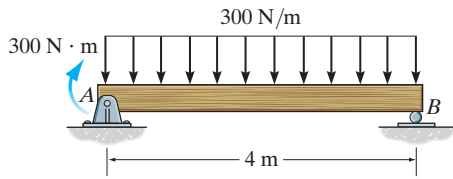
Probs. 7-44/45

7-46. Draw the shear and moment diagrams for the simply supported beam.



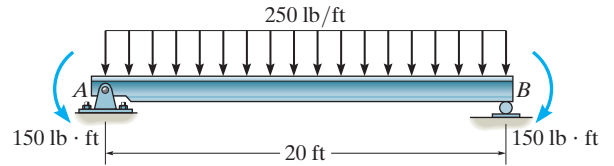
Prob. 7-46

7-47. Draw the shear and moment diagrams for the simply supported beam.



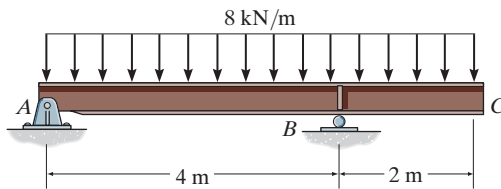
Prob. 7-47

7-50. Draw the shear and moment diagrams for the beam.



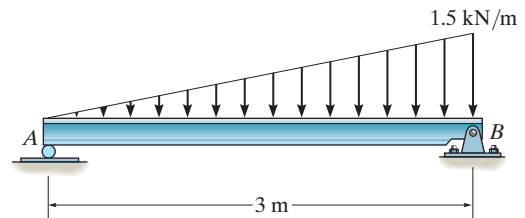
Prob. 7-50

*7-48. Draw the shear and moment diagrams for the overhang beam.



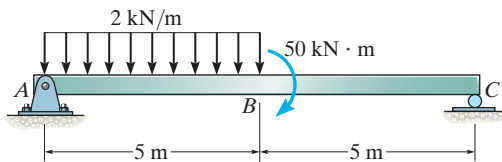
Prob. 7-48

7-51. Draw the shear and moment diagrams for the beam.



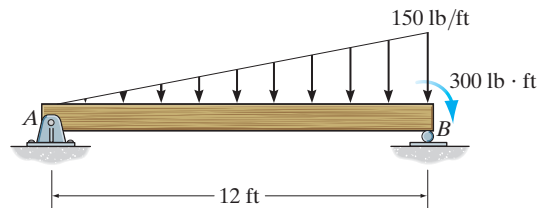
Prob. 7-51

•7-49. Draw the shear and moment diagrams for the beam.



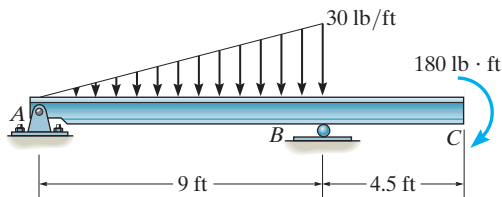
Prob. 7-49

*7-52. Draw the shear and moment diagrams for the simply supported beam.



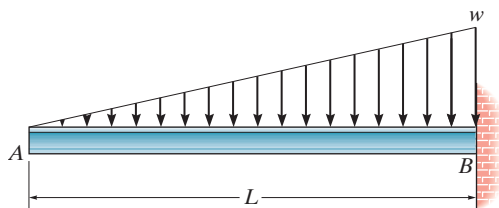
Prob. 7-52

- 7-53. Draw the shear and moment diagrams for the beam.



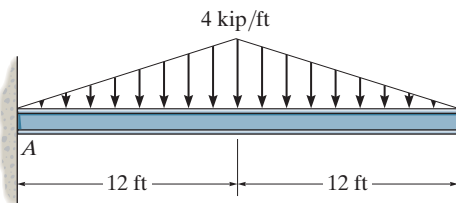
Prob. 7-53

- 7-54. If $L = 18$ ft, the beam will fail when the maximum shear force is $V_{\max} = 800$ lb, or the maximum moment is $M_{\max} = 1200$ lb·ft. Determine the largest intensity w of the distributed loading it will support.



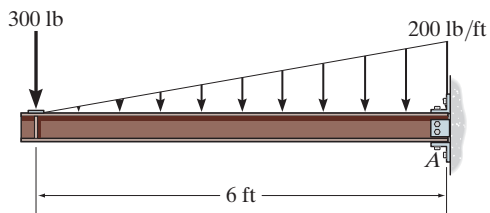
Prob. 7.54

- 7-55. Draw the shear and moment diagrams for the beam.



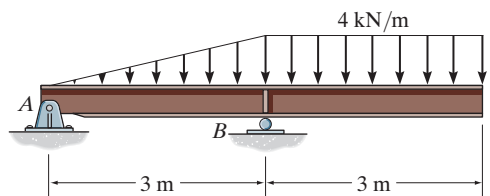
Prob. 7-55

- *7-56. Draw the shear and moment diagrams for the cantilevered beam.



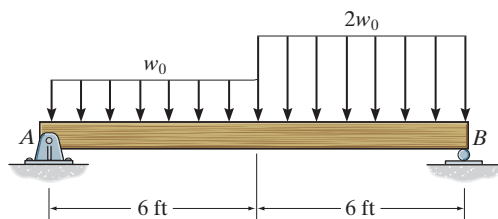
Prob. 7-56

- 7-57. Draw the shear and moment diagrams for the overhang beam.



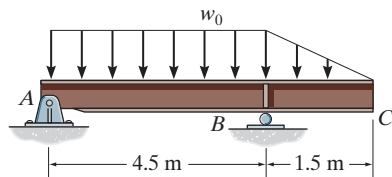
Prob. 7-57

- 7-58. Determine the largest intensity w_0 of the distributed load that the beam can support if the beam can withstand a maximum shear force of $V_{\max} = 1200$ lb and a maximum bending moment of $M_{\max} = 600$ lb·ft.



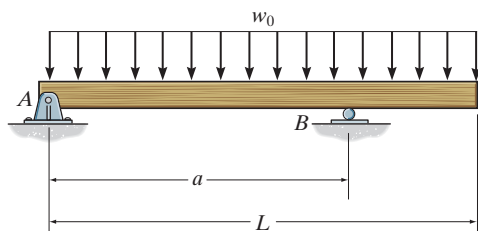
Prob. 7-58

7-59. Determine the largest intensity w_0 of the distributed load that the beam can support if the beam can withstand a maximum bending moment of $M_{\max} = 20 \text{ kN} \cdot \text{m}$ and a maximum shear force of $V_{\max} = 80 \text{ kN}$.



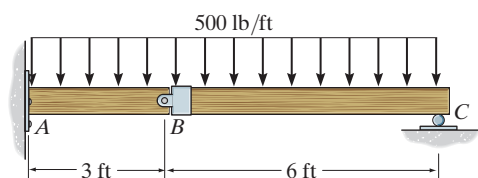
Prob. 7-59

***7-60.** Determine the placement a of the roller support B so that the maximum moment within the span AB is equivalent to the moment at the support B .



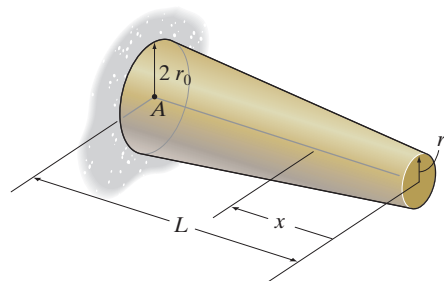
Prob. 7-60

***7-61.** The compound beam is fix supported at A , pin connected at B and supported by a roller at C . Draw the shear and moment diagrams for the beam.



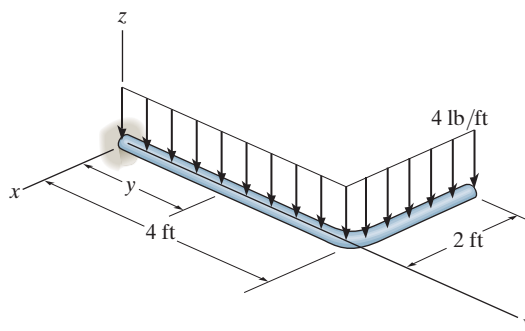
Prob. 7-61

7-62. The frustum of the cone is cantilevered from point A . If the cone is made from a material having a specific weight of γ , determine the internal shear force and moment in the cone as a function of x .



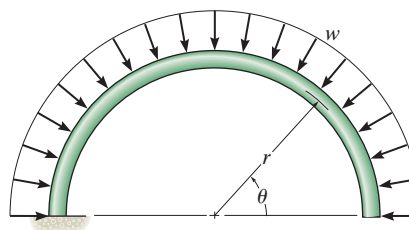
Prob. 7-62

7-63. Express the internal shear and moment components acting in the rod as a function of y , where $0 \leq y \leq 4$ ft.



Prob. 7-63

***7-64.** Determine the normal force, shear force, and moment in the curved rod as a function of θ .



Prob. 7-64

*7.3 Relations between Distributed Load, Shear, and Moment



In order to design the beam used to support these power lines, it is important to first draw the shear and moment diagrams for the beam.

If a beam is subjected to several concentrated forces, couple moments, and distributed loads, the method of constructing the shear and bending-moment diagrams discussed in Sec. 7-2 may become quite tedious. In this section a simpler method for constructing these diagrams is discussed—a method based on differential relations that exist between the load, shear, and bending moment.

Distributed Load. Consider the beam AD shown in Fig. 7-13a, which is subjected to an arbitrary load $w = w(x)$ and a series of concentrated forces and couple moments. In the following discussion, the *distributed load* will be considered *positive* when the *loading acts upward* as shown. A free-body diagram for a small segment of the beam having a length Δx is chosen at a point x along the beam which is *not* subjected to a concentrated force or couple moment, Fig. 7-13b. Hence any results obtained will not apply at these points of concentrated loading. The internal shear force and bending moment shown on the free-body diagram are assumed to act in the *positive sense* according to the established sign convention. Note that both the shear force and moment acting on the right-hand face must be increased by a small, finite amount in order to keep the segment in equilibrium. The distributed loading has been replaced by a resultant force $\Delta F = w(x) \Delta x$ that acts at a fractional distance $k(\Delta x)$ from the right end, where $0 < k < 1$ [for example, if $w(x)$ is *uniform*, $k = \frac{1}{2}$].

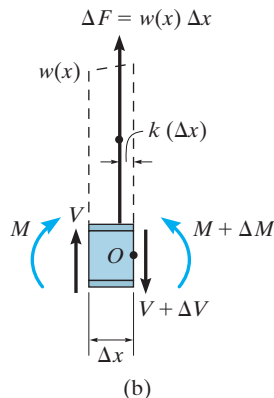
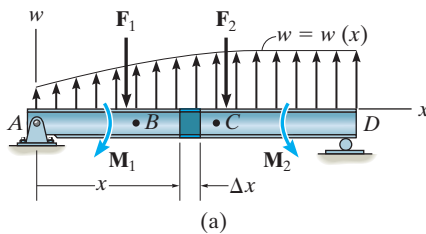


Fig. 7-13

Relation Between the Distributed Load and Shear. If we apply the force equation of equilibrium to the segment, then

$$+\uparrow \Sigma F_y = 0; \quad V + w(x)\Delta x - (V + \Delta V) = 0$$

$$\Delta V = w(x)\Delta x$$

Dividing by Δx , and letting $\Delta x \rightarrow 0$, we get

$\frac{dV}{dx} = w(x)$ <p style="text-align: center;">slope of shear diagram = distributed load intensity</p>	(7-1)
---	-------

If we rewrite the above equation in the form $dV = w(x)dx$ and perform an integration between any two points B and C on the beam, we see that

$$\Delta V = \int w(x) dx \quad (7-2)$$

Change in shear = Area under loading curve

Relation Between the Shear and Moment. If we apply the moment equation of equilibrium about point O on the free-body diagram in Fig. 7-13b, we get

$$\zeta + \Sigma M_0 = 0; \quad (M + \Delta M) - [w(x)\Delta x]k\Delta x - V\Delta x - M = 0$$

$$\Delta M = V\Delta x + k w(x)\Delta x^2$$

Dividing both sides of this equation by Δx , and letting $\Delta x \rightarrow 0$, yields

$$\frac{dM}{dx} = V \quad (7-3)$$

Slope of moment diagram = Shear

In particular, notice that the absolute maximum bending moment $|M|_{\max}$ occurs at the point where the slope $dM/dx = 0$, since this is where the shear is equal to zero.

If Eq. 7-3 is rewritten in the form $dM = \int V dx$ and integrated between any two points B and C on the beam, we have

$$\Delta M = \int V dx \quad (7-4)$$

Change in moment = Area under shear diagram

As stated previously, the above equations do not apply at points where a *concentrated* force or couple moment acts. These two special cases create *discontinuities* in the shear and moment diagrams, and as a result, each deserves separate treatment.

Force. A free-body diagram of a small segment of the beam in Fig. 7-13a, taken from under one of the forces, is shown in Fig. 7-14a. Here force equilibrium requires

$$+\uparrow \Sigma F_y = 0; \quad \Delta V = F \quad (7-5)$$

Since the *change in shear is positive*, the shear diagram will “jump” *upward* when \mathbf{F} acts *upward* on the beam. Likewise, the jump in shear (ΔV) is downward when \mathbf{F} acts downward.

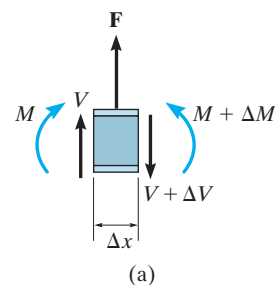


Fig. 7-14

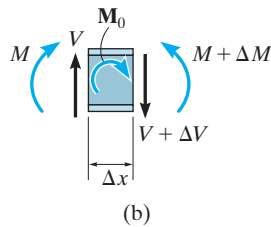


Fig. 7-14

Couple Moment. If we remove a segment of the beam in Fig. 7-13a that is located at the couple moment \mathbf{M}_0 , the free-body diagram shown in Fig. 7-14b results. In this case letting $\Delta x \rightarrow 0$, moment equilibrium requires

$$\zeta + \Sigma M = 0; \quad \Delta M = M_0 \quad (7-6)$$

Thus, the *change in moment is positive*, or the moment diagram will “jump” *upward* if \mathbf{M}_0 is *clockwise*. Likewise, the jump ΔM is downward when \mathbf{M}_0 is *counterclockwise*.

The examples which follow illustrate application of the above equations when used to construct the shear and moment diagrams. After working through these examples, it is recommended that you solve Examples 7.6 and 7.7 using this method.



This concrete beam is used to support the deck. Its size and the placement of steel reinforcement within it can be determined once the shear and moment diagrams have been established.

Important Points

- The slope of the shear diagram at a point is equal to the intensity of the distributed loading, where positive distributed loading is upward, i.e., $dV/dx = w(x)$.
- If a concentrated force acts upward on the beam, the shear will jump upward by the same amount.
- The change in the shear ΔV between two points is equal to the *area* under the distributed-loading curve between the points.
- The slope of the moment diagram at a point is equal to the shear, i.e., $dM/dx = V$.
- The change in the moment ΔM between two points is equal to the *area* under the shear diagram between the two points.
- If a *clockwise* couple moment acts on the beam, the shear will not be affected; however, the moment diagram will jump *upward* by the amount of the moment.
- Points of *zero shear* represent points of *maximum or minimum moment* since $dM/dx = 0$.
- Because two integrations of $w = w(x)$ are involved to first determine the change in shear, $\Delta V = \int w(x) dx$, then to determine the change in moment, $\Delta M = \int V dx$, then if the loading curve $w = w(x)$ is a polynomial of degree n , $V = V(x)$ will be a curve of degree $n + 1$, and $M = M(x)$ will be a curve of degree $n + 2$.

EXAMPLE 7.8

Draw the shear and moment diagrams for the cantilever beam in Fig. 7-15a.

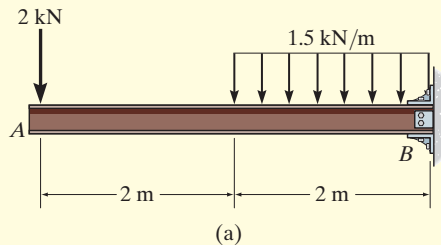


Fig. 7-15

SOLUTION

The support reactions at the fixed support B are shown in Fig. 7-15b.

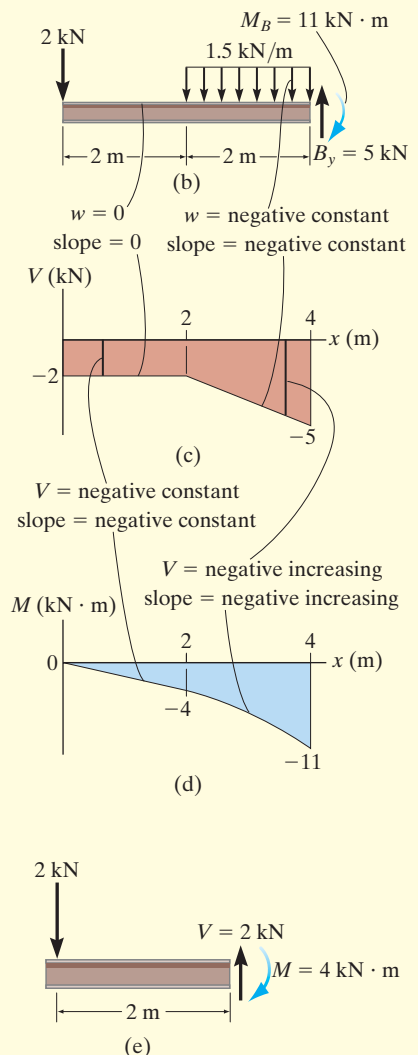
Shear Diagram. The shear at end A is -2 kN. This value is plotted at $x = 0$, Fig. 7-15c. Notice how the shear diagram is constructed by following the slopes defined by the loading w . The shear at $x = 4$ m is -5 kN, the reaction on the beam. This value can be verified by finding the area under the distributed loading; i.e.,

$$V|_{x=4\text{ m}} = V|_{x=2\text{ m}} + \Delta V = -2\text{ kN} - (1.5\text{ kN/m})(2\text{ m}) = -5\text{ kN}$$

Moment Diagram. The moment of zero at $x = 0$ is plotted in Fig. 7-15d. Construction of the moment diagram is based on knowing its slope which is equal to the shear at each point. The change of moment from $x = 0$ to $x = 2$ m is determined from the area under the shear diagram. Hence, the moment at $x = 2$ m is

$$M|_{x=2\text{ m}} = M|_{x=0} + \Delta M = 0 + [-2\text{ kN}(2\text{ m})] = -4\text{ kN}\cdot\text{m}$$

This same value can be determined from the method of sections, Fig. 7-15e.



EXAMPLE 7.9

Draw the shear and moment diagrams for the overhang beam in Fig. 7-16a.

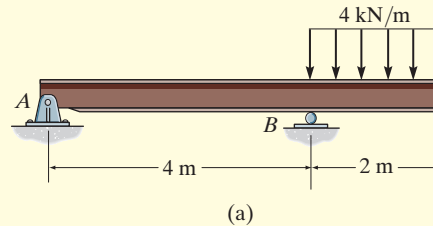
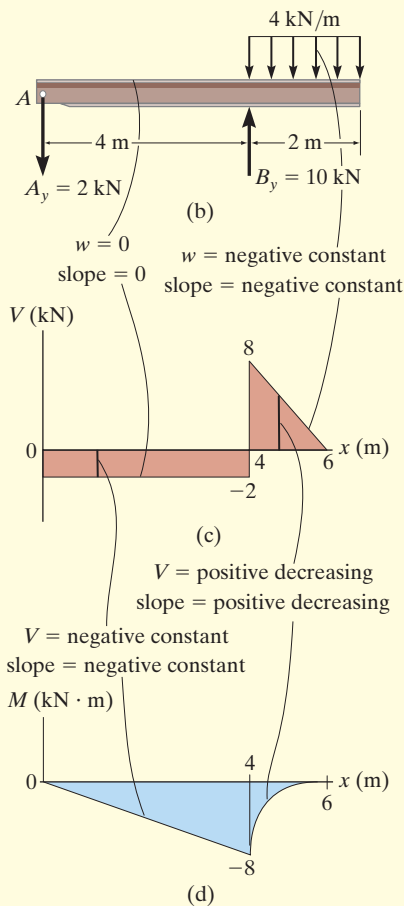


Fig. 7-16



SOLUTION

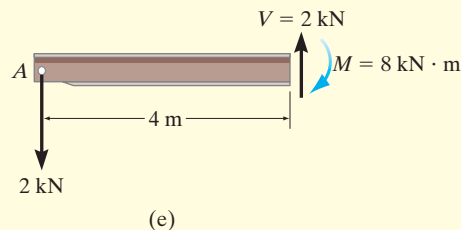
The support reactions are shown in Fig. 7-16b.

Shear Diagram. The shear of -2 kN at end A of the beam is plotted at $x = 0$, Fig. 7-16c. The slopes are determined from the loading and from this the shear diagram is constructed, as indicated in the figure. In particular, notice the positive jump of 10 kN at $x = 4$ m due to the force B_y , as indicated in the figure.

Moment Diagram. The moment of zero at $x = 0$ is plotted, Fig. 7-16d, then following the behavior of the slope found from the shear diagram, the moment diagram is constructed. The moment at $x = 4$ m is found from the area under the shear diagram.

$$M|_{x=4\text{ m}} = M|_{x=0} + \Delta M = 0 + [-2\text{ kN}(4\text{ m})] = -8\text{ kN}\cdot\text{m}$$

We can also obtain this value by using the method of sections, as shown in Fig. 7-16e.



EXAMPLE 7.10

The shaft in Fig. 7-17a is supported by a thrust bearing at A and a journal bearing at B . Draw the shear and moment diagrams.

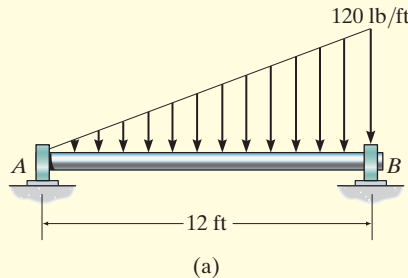


Fig. 7-17

SOLUTION

The support reactions are shown in Fig. 7-17b.

Shear Diagram. As shown in Fig. 7-17c, the shear at $x = 0$ is $+240$. Following the slope defined by the loading, the shear diagram is constructed, where at B its value is -480 lb. Since the shear changes sign, the point where $V = 0$ must be located. To do this we will use the method of sections. The free-body diagram of the left segment of the shaft, sectioned at an arbitrary position x within the region $0 \leq x < 9$ ft, is shown in Fig. 7-17e. Notice that the intensity of the distributed load at x is $w = 10x$, which has been found by proportional triangles, i.e., $120/12 = w/x$.

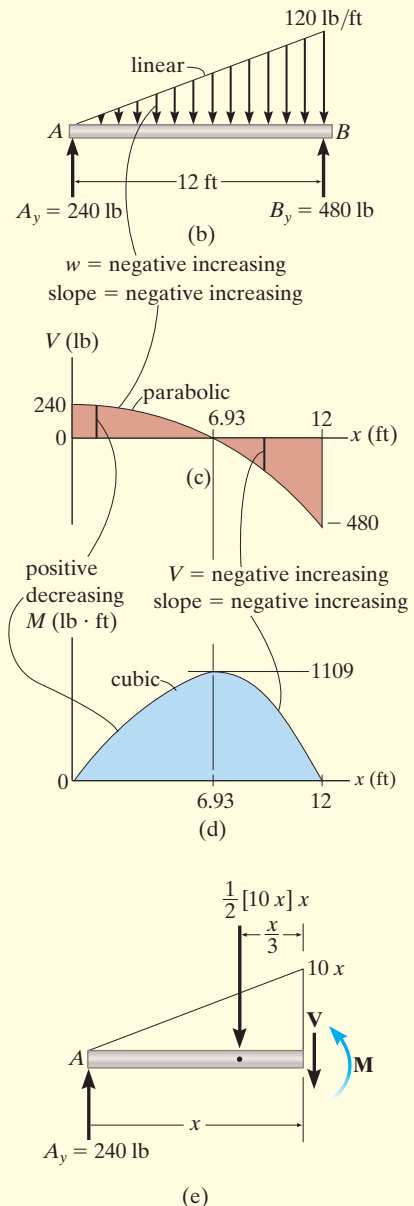
Thus, for $V = 0$,

$$+\uparrow \Sigma F_y = 0; \quad 240 \text{ lb} - \frac{1}{2}(10x)x = 0 \\ x = 6.93 \text{ ft}$$

Moment Diagram. The moment diagram starts at 0 since there is no moment at A , then it is constructed based on the slope as determined from the shear diagram. The maximum moment occurs at $x = 6.93$ ft, where the shear is equal to zero, since $dM/dx = V = 0$, Fig. 7-17e,

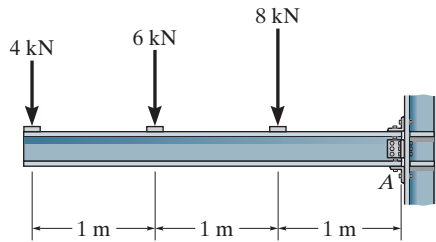
$$\zeta + \Sigma M = 0; \quad M_{\max} + \frac{1}{2} [(10)(6.93)] (6.93) \left(\frac{1}{3} (6.93) \right) - 240(6.93) = 0 \\ M_{\max} = 1109 \text{ lb} \cdot \text{ft}$$

Finally, notice how integration, first of the loading w which is linear, produces a shear diagram which is parabolic, and then a moment diagram which is cubic.



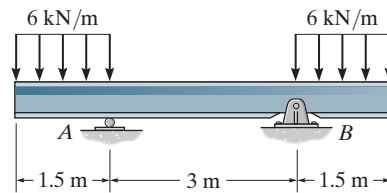
FUNDAMENTAL PROBLEMS

F7-13. Draw the shear and moment diagrams for the beam.



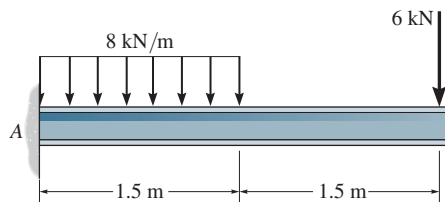
F7-13

F7-16. Draw the shear and moment diagrams for the beam.



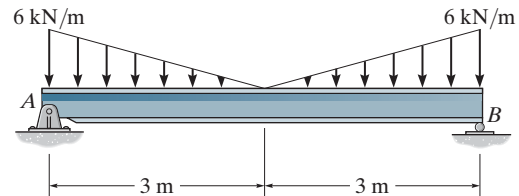
F7-16

F7-14. Draw the shear and moment diagrams for the beam.



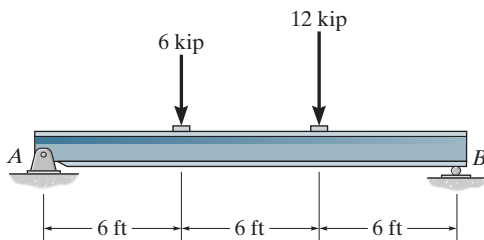
F7-14

F7-17. Draw the shear and moment diagrams for the beam.



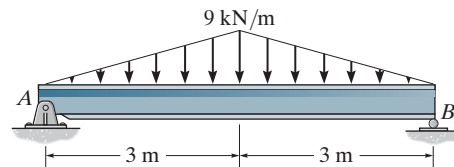
F7-17

F7-15. Draw the shear and moment diagrams for the beam.



F7-15

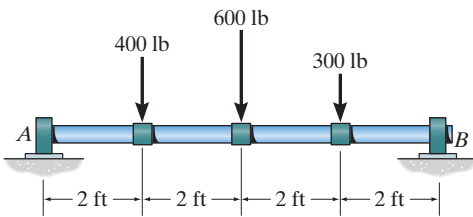
F7-18. Draw the shear and moment diagrams for the beam.



F7-18

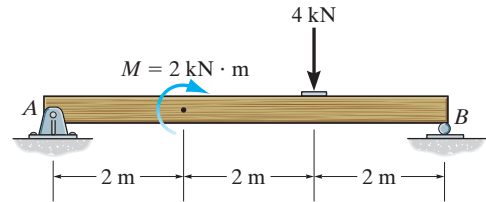
PROBLEMS

•7–65. The shaft is supported by a smooth thrust bearing at A and a smooth journal bearing at B . Draw the shear and moment diagrams for the shaft.



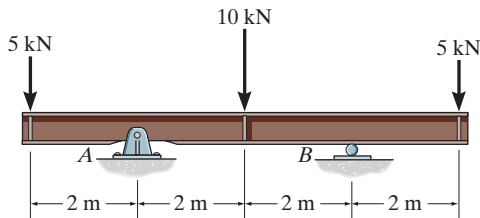
Prob. 7–65

*7–68. Draw the shear and moment diagrams for the simply supported beam.



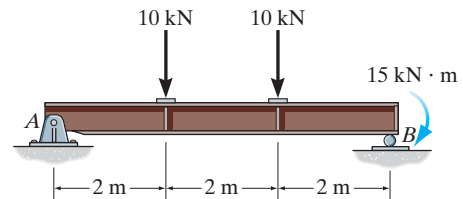
Prob. 7–68

7–66. Draw the shear and moment diagrams for the double overhang beam.



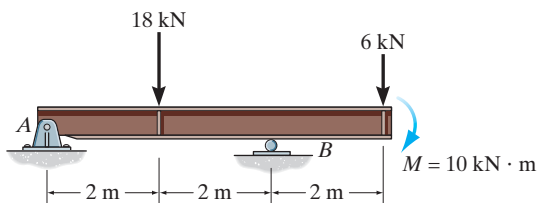
Prob. 7–66

•7–69. Draw the shear and moment diagrams for the simply supported beam.



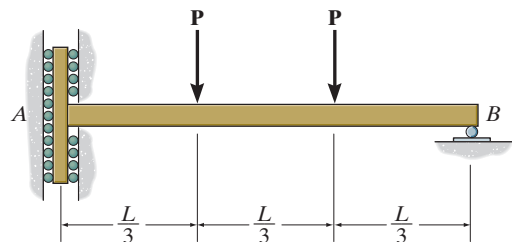
Prob. 7–69

7–67. Draw the shear and moment diagrams for the overhang beam.



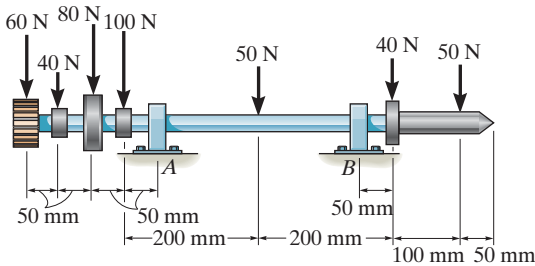
Prob. 7–67

7–70. Draw the shear and moment diagrams for the beam. The support at A offers no resistance to vertical load.



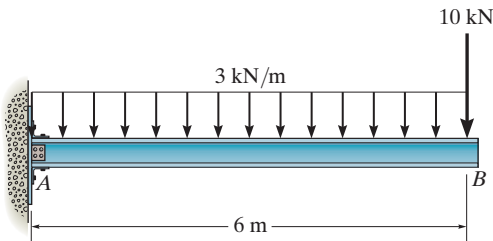
Prob. 7–70

7-71. Draw the shear and moment diagrams for the lathe shaft if it is subjected to the loads shown. The bearing at A is a journal bearing, and B is a thrust bearing.



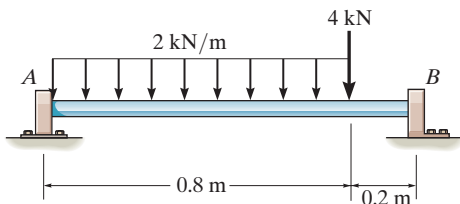
Prob. 7-71

***7-72.** Draw the shear and moment diagrams for the beam.



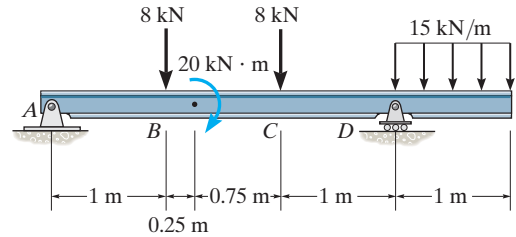
Prob. 7-72

•7-73. Draw the shear and moment diagrams for the shaft. The support at A is a thrust bearing and at B it is a journal bearing.



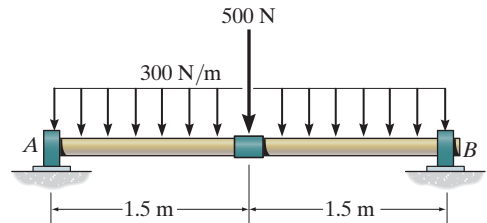
Prob. 7-73

7-74. Draw the shear and moment diagrams for the beam.



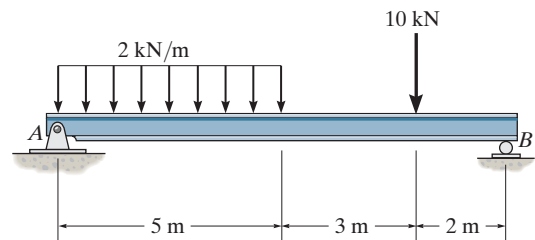
Prob. 7-74

7-75. The shaft is supported by a smooth thrust bearing at A and a smooth journal bearing at B . Draw the shear and moment diagrams for the shaft.



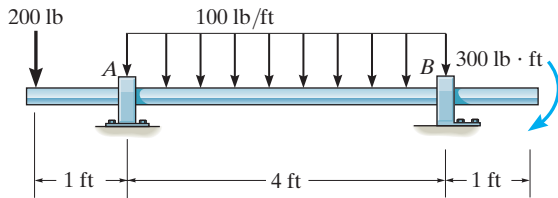
Prob. 7-75

***7-76.** Draw the shear and moment diagrams for the beam.



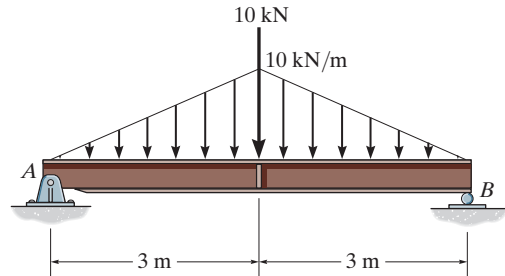
Prob. 7-76

•7-77. Draw the shear and moment diagrams for the shaft. The support at A is a journal bearing and at B it is a thrust bearing.



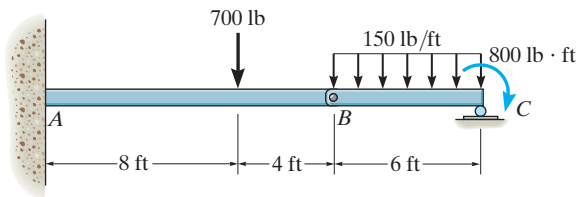
Prob. 7-77

*7-80. Draw the shear and moment diagrams for the simply supported beam.



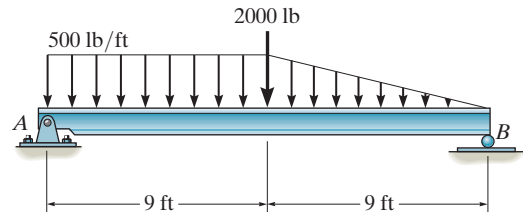
Prob. 7-80

7-78. The beam consists of two segments pin connected at B . Draw the shear and moment diagrams for the beam.



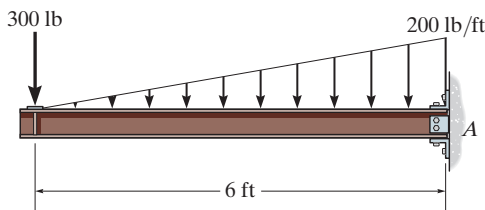
Prob. 7-78

•7-81. Draw the shear and moment diagrams for the beam.



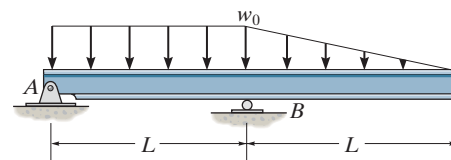
Prob. 7-81

7-79. Draw the shear and moment diagrams for the cantilever beam.



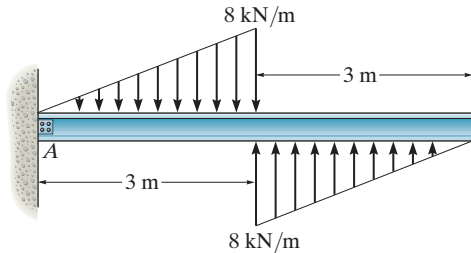
Prob. 7-79

7-82. Draw the shear and moment diagrams for the beam.



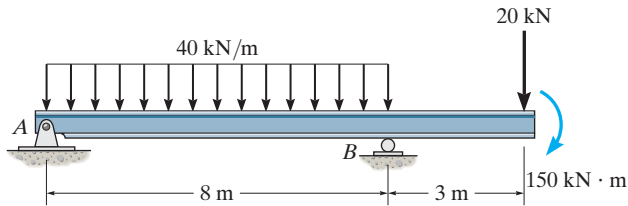
Prob. 7-82

7-83. Draw the shear and moment diagrams for the beam.



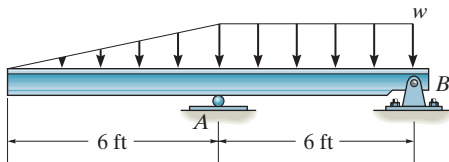
Prob. 7-83

*7-84. Draw the shear and moment diagrams for the beam.



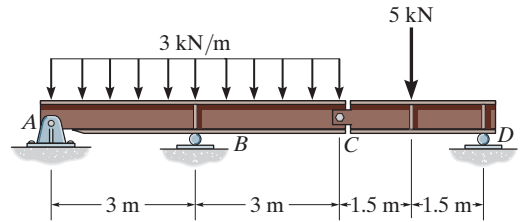
Prob. 7-84

•7-85. The beam will fail when the maximum moment is $M_{\max} = 30 \text{ kip} \cdot \text{ft}$ or the maximum shear is $V_{\max} = 8 \text{ kip}$. Determine the largest intensity w of the distributed load the beam will support.



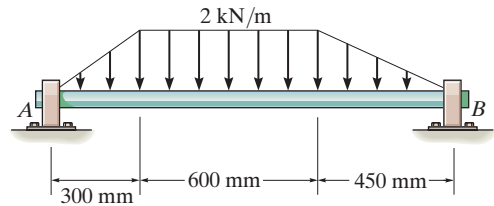
Prob. 7-85

7-86. Draw the shear and moment diagrams for the compound beam.



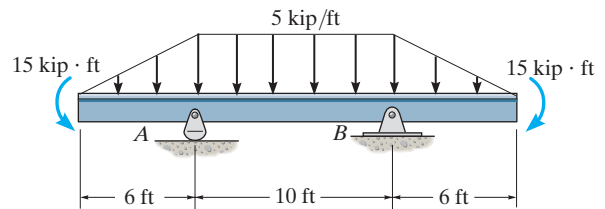
Prob. 7-86

7-87. Draw the shear and moment diagrams for the shaft. The supports at A and B are journal bearings.



Prob. 7-87

*7-88. Draw the shear and moment diagrams for the beam.



Prob. 7-88

*7.4 Cables

Flexible cables and chains combine strength with lightness and often are used in structures for support and to transmit loads from one member to another. When used to support suspension bridges and trolley wheels, cables form the main load-carrying element of the structure. In the force analysis of such systems, the weight of the cable itself may be neglected because it is often small compared to the load it carries. On the other hand, when cables are used as transmission lines and guys for radio antennas and derricks, the cable weight may become important and must be included in the structural analysis.

Three cases will be considered in the analysis that follows. In each case we will make the assumption that the cable is *perfectly flexible* and *inextensible*. Due to its flexibility, the cable offers no resistance to bending, and therefore, the tensile force acting in the cable is always tangent to the cable at points along its length. Being inextensible, the cable has a constant length both before and after the load is applied. As a result, once the load is applied, the geometry of the cable remains unchanged, and the cable or a segment of it can be treated as a rigid body.

Cable Subjected to Concentrated Loads. When a cable of negligible weight supports several concentrated loads, the cable takes the form of several straight-line segments, each of which is subjected to a constant tensile force. Consider, for example, the cable shown in Fig. 7–18, where the distances h , L_1 , L_2 , and L_3 and the loads \mathbf{P}_1 and \mathbf{P}_2 are known. The problem here is to determine the *nine unknowns* consisting of the tension in each of the *three segments*, the *four components* of reaction at A and B , and the *two sags* y_C and y_D at points C and D . For the solution we can write *two equations* of force equilibrium at each of points A , B , C , and D . This results in a total of *eight equations*.^{*} To complete the solution, we need to know something about the geometry of the cable in order to obtain the necessary ninth equation. For example, if the cable's total length L is specified, then the Pythagorean theorem can be used to relate each of the three segmental lengths, written in terms of h , y_C , y_D , L_1 , L_2 , and L_3 , to the total length L . Unfortunately, this type of problem cannot be solved easily by hand. Another possibility, however, is to specify one of the sags, either y_C or y_D , instead of the cable length. By doing this, the equilibrium equations are then sufficient for obtaining the unknown forces and the remaining sag. Once the sag at each point of loading is obtained, the length of the cable can then be determined by trigonometry. The following example illustrates a procedure for performing the equilibrium analysis for a problem of this type.

^{*}As will be shown in the following example, the eight equilibrium equations *also* can be written for the entire cable, or any part thereof. But *no more than eight* equations are available.



Each of the cable segments remains approximately straight as they support the weight of these traffic lights.

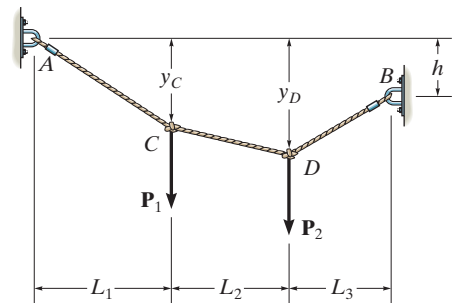
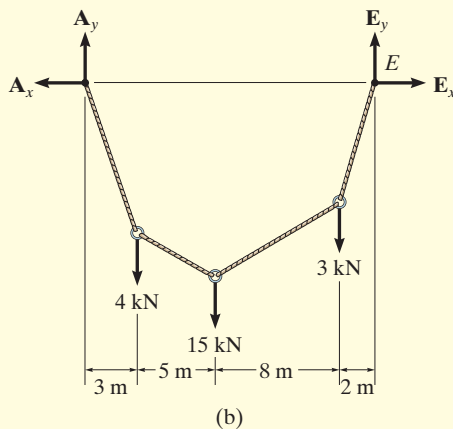
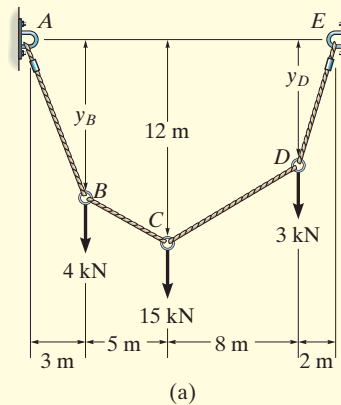


Fig. 7–18

EXAMPLE 7.11

Determine the tension in each segment of the cable shown in Fig. 7–19a.



SOLUTION

By inspection, there are four unknown external reactions (A_x , A_y , E_x , and E_y) and four unknown cable tensions, one in each cable segment. These eight unknowns along with the two unknown sags y_B and y_D can be determined from *ten* available equilibrium equations. One method is to apply the force equations of equilibrium ($\sum F_x = 0$, $\sum F_y = 0$) to each of the five points A through E . Here, however, we will take a more direct approach.

Consider the free-body diagram for the entire cable, Fig. 7–19b. Thus,

$$\rightarrow \sum F_x = 0; \quad -A_x + E_x = 0$$

$$\zeta + \sum M_E = 0;$$

$$-A_y(18 \text{ m}) + 4 \text{ kN}(15 \text{ m}) + 15 \text{ kN}(10 \text{ m}) + 3 \text{ kN}(2 \text{ m}) = 0$$

$$A_y = 12 \text{ kN}$$

$$+\uparrow \sum F_y = 0; \quad 12 \text{ kN} - 4 \text{ kN} - 15 \text{ kN} - 3 \text{ kN} + E_y = 0$$

$$E_y = 10 \text{ kN}$$

Since the sag $y_C = 12 \text{ m}$ is known, we will now consider the leftmost section, which cuts cable BC , Fig. 7–19c.

$$\zeta + \sum M_C = 0; \quad A_x(12 \text{ m}) - 12 \text{ kN}(8 \text{ m}) + 4 \text{ kN}(5 \text{ m}) = 0$$

$$A_x = E_x = 6.33 \text{ kN}$$

$$\rightarrow \sum F_x = 0; \quad T_{BC} \cos \theta_{BC} - 6.33 \text{ kN} = 0$$

$$+\uparrow \sum F_y = 0; \quad 12 \text{ kN} - 4 \text{ kN} - T_{BC} \sin \theta_{BC} = 0$$

Thus,

$$\theta_{BC} = 51.6^\circ$$

$$T_{BC} = 10.2 \text{ kN}$$

Ans.

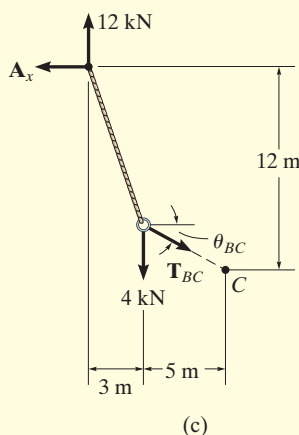
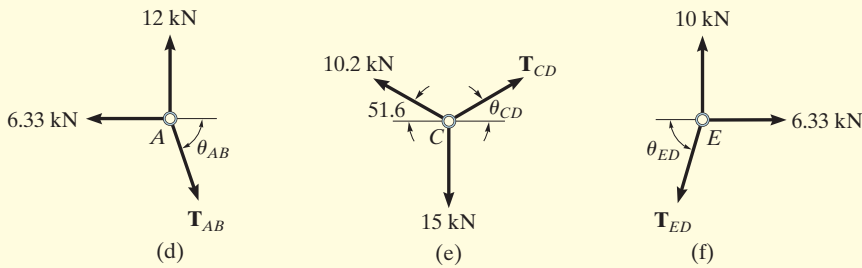


Fig. 7–19



Proceeding now to analyze the equilibrium of points *A*, *C*, and *E* in sequence, we have

Point A (Fig. 7-19*d*).

$$\begin{aligned} \pm \Sigma F_x = 0; & \quad T_{AB} \cos \theta_{AB} - 6.33 \text{ kN} = 0 \\ + \uparrow \Sigma F_y = 0; & \quad -T_{AB} \sin \theta_{AB} + 12 \text{ kN} = 0 \\ & \quad \theta_{AB} = 62.2^\circ \\ & \quad T_{AB} = 13.6 \text{ kN} \quad \text{Ans.} \end{aligned}$$

Point C (Fig. 7-19*e*).

$$\begin{aligned} \pm \Sigma F_x = 0; & \quad T_{CD} \cos \theta_{CD} - 10.2 \cos 51.6^\circ \text{ kN} = 0 \\ + \uparrow \Sigma F_y = 0; & \quad T_{CD} \sin \theta_{CD} + 10.2 \sin 51.6^\circ \text{ kN} - 15 \text{ kN} = 0 \\ & \quad \theta_{CD} = 47.9^\circ \\ & \quad T_{CD} = 9.44 \text{ kN} \quad \text{Ans.} \end{aligned}$$

Point E (Fig. 7-19*f*).

$$\begin{aligned} \pm \Sigma F_x = 0; & \quad 6.33 \text{ kN} - T_{ED} \cos \theta_{ED} = 0 \\ + \uparrow \Sigma F_y = 0; & \quad 10 \text{ kN} - T_{ED} \sin \theta_{ED} = 0 \\ & \quad \theta_{ED} = 57.7^\circ \\ & \quad T_{ED} = 11.8 \text{ kN} \quad \text{Ans.} \end{aligned}$$

NOTE: By comparison, the maximum cable tension is in segment *AB* since this segment has the greatest slope (θ) and it is required that for any cable segment the horizontal component $T \cos \theta = A_x = E_x$ (a constant). Also, since the slope angles that the cable segments make with the horizontal have now been determined, it is possible to determine the sags y_B and y_D , Fig. 7-19*a*, using trigonometry.



The cable and suspenders are used to support the uniform load of a gas pipe which crosses the river.

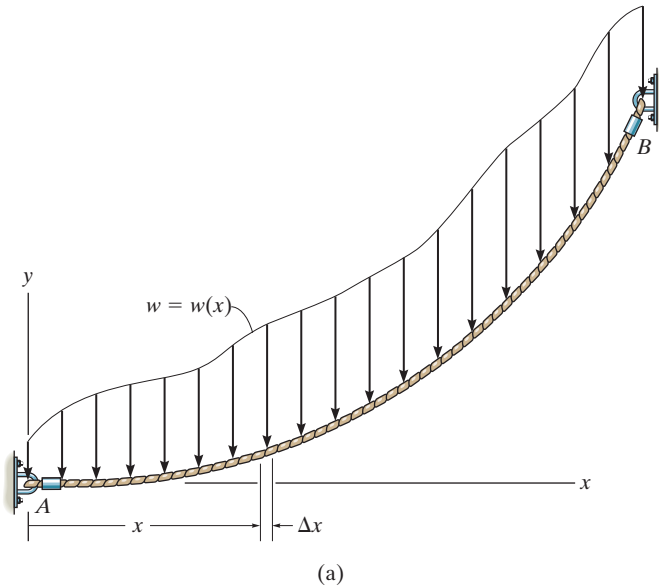


Fig. 7-20

Cable Subjected to a Distributed Load. Let us now consider the weightless cable shown in Fig. 7-20a, which is subjected to a distributed loading $w = w(x)$ that is *measured in the x direction*. The free-body diagram of a small segment of the cable having a length Δs is shown in Fig. 7-20b. Since the tensile force changes in both magnitude and direction along the cable's length, we will denote this change on the free-body diagram by ΔT . Finally, the distributed load is represented by its resultant force $w(x)(\Delta x)$, which acts at a fractional distance $k(\Delta x)$ from point O , where $0 < k < 1$. Applying the equations of equilibrium, we have

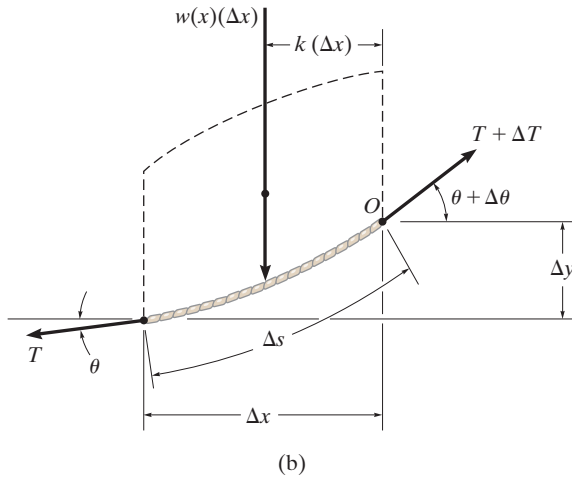
$$\begin{aligned} \pm \Sigma F_x = 0; & \quad -T \cos \theta + (T + \Delta T) \cos(\theta + \Delta \theta) = 0 \\ + \uparrow \Sigma F_y = 0; & \quad -T \sin \theta - w(x)(\Delta x) + (T + \Delta T) \sin(\theta + \Delta \theta) = 0 \\ \zeta + \Sigma M_O = 0; & \quad w(x)(\Delta x)k(\Delta x) - T \cos \theta \Delta y + T \sin \theta \Delta x = 0 \end{aligned}$$

Dividing each of these equations by Δx and taking the limit as $\Delta x \rightarrow 0$, and therefore $\Delta y \rightarrow 0$, $\Delta \theta \rightarrow 0$, and $\Delta T \rightarrow 0$, we obtain

$$\frac{d(T \cos \theta)}{dx} = 0 \quad (7-7)$$

$$\frac{d(T \sin \theta)}{dx} - w(x) = 0 \quad (7-8)$$

$$\frac{dy}{dx} = \tan \theta \quad (7-9)$$



Integrating Eq. 7-7, we have

$$T \cos \theta = \text{constant} = F_H \quad (7-10)$$

where F_H represents the horizontal component of tensile force at *any point* along the cable.

Integrating Eq. 7-8 gives

$$T \sin \theta = \int w(x) dx \quad (7-11)$$

Dividing Eq. 7-11 by Eq. 7-10 eliminates T . Then, using Eq. 7-9, we can obtain the slope of the cable.

$$\tan \theta = \frac{dy}{dx} = \frac{1}{F_H} \int w(x) dx$$

Performing a second integration yields

$$y = \frac{1}{F_H} \int \left(\int w(x) dx \right) dx \quad (7-12)$$

This equation is used to determine the curve for the cable, $y = f(x)$. The horizontal force component F_H and the additional two constants, say C_1 and C_2 , resulting from the integration are determined by applying the boundary conditions for the curve.



The cables of the suspension bridge exert very large forces on the tower and the foundation block which have to be accounted for in their design.

EXAMPLE 7.12

The cable of a suspension bridge supports half of the uniform road surface between the two towers at A and B , Fig. 7-21a. If this distributed loading is w_0 , determine the maximum force developed in the cable and the cable's required length. The span length L and sag h are known.

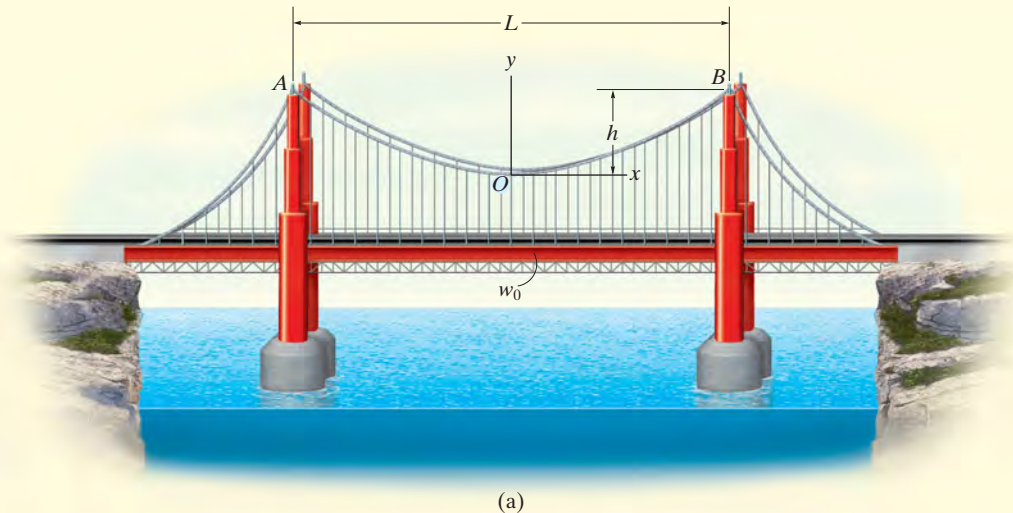


Fig. 7-21

SOLUTION

We can determine the unknowns in the problem by first finding the equation of the curve that defines the shape of the cable using Eq. 7-12. For reasons of symmetry, the origin of coordinates has been placed at the cable's center. Noting that $w(x) = w_0$, we have

$$y = \frac{1}{F_H} \int \left(\int w_0 dx \right) dx$$

Performing the two integrations gives

$$y = \frac{1}{F_H} \left(\frac{w_0 x^2}{2} + C_1 x + C_2 \right) \quad (1)$$

The constants of integration may be determined using the boundary conditions $y = 0$ at $x = 0$ and $dy/dx = 0$ at $x = 0$. Substituting into Eq. 1 and its derivative yields $C_1 = C_2 = 0$. The equation of the curve then becomes

$$y = \frac{w_0}{2F_H} x^2 \quad (2)$$

This is the equation of a *parabola*. The constant F_H may be obtained using the boundary condition $y = h$ at $x = L/2$. Thus,

$$F_H = \frac{w_0 L^2}{8h} \quad (3)$$

Therefore, Eq. 2 becomes

$$y = \frac{4h}{L^2} x^2 \quad (4)$$

Since F_H is known, the tension in the cable may now be determined using Eq. 7–10, written as $T = F_H/\cos \theta$. For $0 \leq \theta < \pi/2$, the maximum tension will occur when θ is *maximum*, i.e., at point *B*, Fig. 7–21*a*. From Eq. 2, the slope at this point is

$$\left. \frac{dy}{dx} \right|_{x=L/2} = \tan \theta_{\max} = \left. \frac{w_0}{F_H} x \right|_{x=L/2}$$

or

$$\theta_{\max} = \tan^{-1} \left(\frac{w_0 L}{2F_H} \right) \quad (5)$$

Therefore,

$$T_{\max} = \frac{F_H}{\cos(\theta_{\max})} \quad (6)$$

Using the triangular relationship shown in Fig. 7–21*b*, which is based on Eq. 5, Eq. 6 may be written as

$$T_{\max} = \frac{\sqrt{4F_H^2 + w_0^2 L^2}}{2}$$

Substituting Eq. 3 into the above equation yields

$$T_{\max} = \frac{w_0 L}{2} \sqrt{1 + \left(\frac{L}{4h} \right)^2} \quad \text{Ans.}$$

For a differential segment of cable length ds , we can write

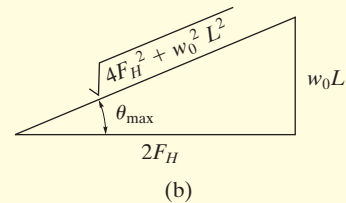
$$ds = \sqrt{(dx)^2 + (dy)^2} = \sqrt{1 + \left(\frac{dy}{dx} \right)^2} dx$$

Hence, the total length of the cable can be determined by integration. Using Eq. 4, we have

$$\mathcal{L} = \int ds = 2 \int_0^{L/2} \sqrt{1 + \left(\frac{8h}{L^2} x \right)^2} dx \quad (7)$$

Integrating yields

$$\mathcal{L} = \frac{L}{2} \left[\sqrt{1 + \left(\frac{4h}{L} \right)^2} + \frac{L}{4h} \sinh^{-1} \left(\frac{4h}{L} \right) \right] \quad \text{Ans.}$$



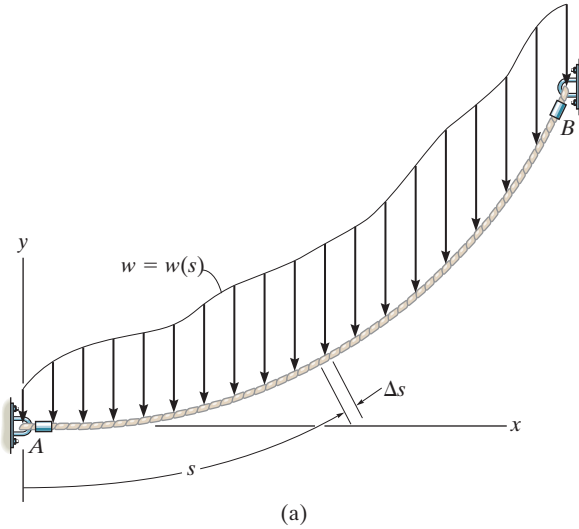


Fig. 7-22

Cable Subjected to Its Own Weight. When the weight of a cable becomes important in the force analysis, the loading function along the cable will be a function of the arc length s rather than the projected length x . To analyze this problem, we will consider a generalized loading function $w = w(s)$ acting along the cable as shown in Fig. 7-22a. The free-body diagram for a small segment Δs of the cable is shown in Fig. 7-22b. Applying the equilibrium equations to the force system on this diagram, one obtains relationships identical to those given by Eqs. 7-7 through 7-9, but with ds replacing dx . Therefore, we can show that

$$T \cos \theta = F_H$$

$$T \sin \theta = \int w(s) ds \quad (7-13)$$

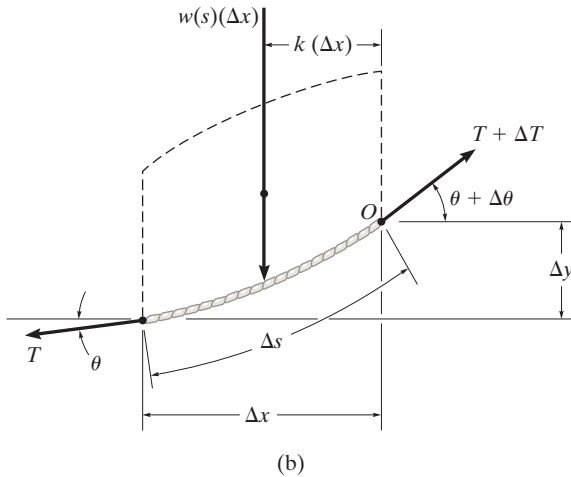
$$\frac{dy}{dx} = \frac{1}{F_H} \int w(s) ds \quad (7-14)$$

To perform a direct integration of Eq. 7-14, it is necessary to replace dy/dx by ds/dx . Since

$$ds = \sqrt{dx^2 + dy^2}$$

then

$$\frac{dy}{dx} = \sqrt{\left(\frac{ds}{dx}\right)^2 - 1}$$



Therefore,

$$\frac{ds}{dx} = \left[1 + \frac{1}{F_H^2} \left(\int w(s) ds \right)^2 \right]^{1/2}$$

Separating the variables and integrating we obtain

$$x = \int \frac{ds}{\left[1 + \frac{1}{F_H^2} \left(\int w(s) ds \right)^2 \right]^{1/2}} \quad (7-15)$$

The two constants of integration, say C_1 and C_2 , are found using the boundary conditions for the curve.



Electrical transmission towers must be designed to support the weights of the suspended power lines. The weight and length of the cables can be determined since they each form a catenary curve.

EXAMPLE 7.13

Determine the deflection curve, the length, and the maximum tension in the uniform cable shown in Fig. 7-23. The cable has a weight per unit length of $w_0 = 5 \text{ N/m}$.

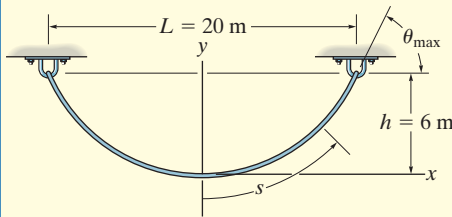


Fig. 7-23

SOLUTION

For reasons of symmetry, the origin of coordinates is located at the center of the cable. The deflection curve is expressed as $y = f(x)$. We can determine it by first applying Eq. 7-15, where $w(s) = w_0$.

$$x = \int \frac{ds}{\left[1 + (1/F_H^2) \left(\int w_0 ds\right)^2\right]^{1/2}}$$

Integrating the term under the integral sign in the denominator, we have

$$x = \int \frac{ds}{\left[1 + (1/F_H^2)(w_0s + C_1)^2\right]^{1/2}}$$

Substituting $u = (1/F_H)(w_0s + C_1)$ so that $du = (w_0/F_H) ds$, a second integration yields

$$x = \frac{F_H}{w_0} (\sinh^{-1} u + C_2)$$

or

$$x = \frac{F_H}{w_0} \left\{ \sinh^{-1} \left[\frac{1}{F_H} (w_0s + C_1) \right] + C_2 \right\} \quad (1)$$

To evaluate the constants note that, from Eq. 7-14,

$$\frac{dy}{dx} = \frac{1}{F_H} \int w_0 ds \quad \text{or} \quad \frac{dy}{dx} = \frac{1}{F_H} (w_0s + C_1)$$

Since $dy/dx = 0$ at $s = 0$, then $C_1 = 0$. Thus,

$$\frac{dy}{dx} = \frac{w_0s}{F_H} \quad (2)$$

The constant C_2 may be evaluated by using the condition $s = 0$ at $x = 0$ in Eq. 1, in which case $C_2 = 0$. To obtain the deflection curve, solve for s in Eq. 1, which yields

$$s = \frac{F_H}{w_0} \sinh\left(\frac{w_0}{F_H} x\right) \quad (3)$$

Now substitute into Eq. 2, in which case

$$\frac{dy}{dx} = \sinh\left(\frac{w_0}{F_H} x\right)$$

Hence,

$$y = \frac{F_H}{w_0} \cosh\left(\frac{w_0}{F_H} x\right) + C_3$$

If the boundary condition $y = 0$ at $x = 0$ is applied, the constant $C_3 = -F_H/w_0$, and therefore the deflection curve becomes

$$y = \frac{F_H}{w_0} \left[\cosh\left(\frac{w_0}{F_H} x\right) - 1 \right] \quad (4)$$

This equation defines the shape of a *catenary curve*. The constant F_H is obtained by using the boundary condition that $y = h$ at $x = L/2$, in which case

$$h = \frac{F_H}{w_0} \left[\cosh\left(\frac{w_0 L}{2F_H}\right) - 1 \right] \quad (5)$$

Since $w_0 = 5 \text{ N/m}$, $h = 6 \text{ m}$, and $L = 20 \text{ m}$, Eqs. 4 and 5 become

$$y = \frac{F_H}{5 \text{ N/m}} \left[\cosh\left(\frac{5 \text{ N/m}}{F_H} x\right) - 1 \right] \quad (6)$$

$$6 \text{ m} = \frac{F_H}{5 \text{ N/m}} \left[\cosh\left(\frac{50 \text{ N}}{F_H}\right) - 1 \right] \quad (7)$$

Equation 7 can be solved for F_H by using a trial-and-error procedure. The result is

$$F_H = 45.9 \text{ N}$$

and therefore the deflection curve, Eq. 6, becomes

$$y = 9.19[\cosh(0.109x) - 1] \text{ m} \quad \text{Ans.}$$

Using Eq. 3, with $x = 10 \text{ m}$, the half-length of the cable is

$$\frac{\mathcal{L}}{2} = \frac{45.9 \text{ N}}{5 \text{ N/m}} \sinh\left[\frac{5 \text{ N/m}}{45.9 \text{ N}}(10 \text{ m})\right] = 12.1 \text{ m}$$

Hence,

$$\mathcal{L} = 24.2 \text{ m} \quad \text{Ans.}$$

Since $T = F_H/\cos \theta$, the maximum tension occurs when θ is maximum, i.e., at $s = \mathcal{L}/2 = 12.1 \text{ m}$. Using Eq. 2 yields

$$\left. \frac{dy}{dx} \right|_{s=12.1 \text{ m}} = \tan \theta_{\max} = \frac{5 \text{ N/m}(12.1 \text{ m})}{45.9 \text{ N}} = 1.32$$

$$\theta_{\max} = 52.8^\circ$$

And so,

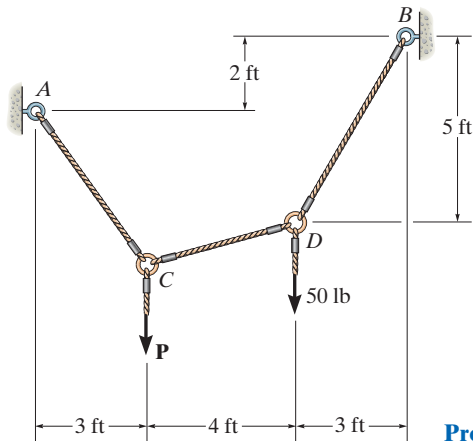
$$T_{\max} = \frac{F_H}{\cos \theta_{\max}} = \frac{45.9 \text{ N}}{\cos 52.8^\circ} = 75.9 \text{ N} \quad \text{Ans.}$$

PROBLEMS

Neglect the weight of the cable in the following problems, unless specified.

•7-89. Determine the tension in each segment of the cable and the cable's total length. Set $P = 80$ lb.

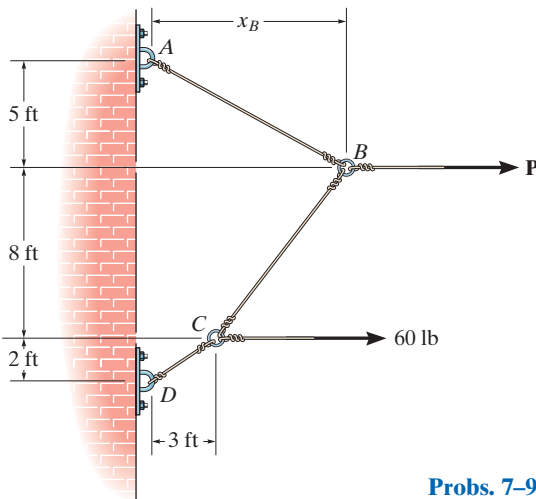
7-90. If each cable segment can support a maximum tension of 75 lb, determine the largest load P that can be applied.



Probs. 7-89/90

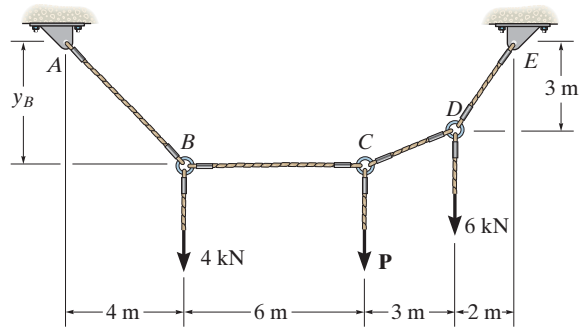
7-91. The cable segments support the loading shown. Determine the horizontal distance x_B from the force at B to point A . Set $P = 40$ lb.

*7-92. The cable segments support the loading shown. Determine the magnitude of the horizontal force \mathbf{P} so that $x_B = 6$ ft.



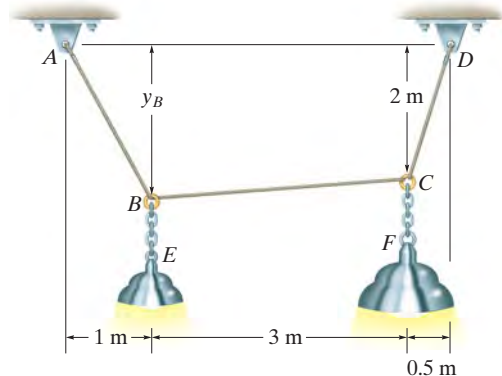
Probs. 7-91/92

•7-93. Determine the force P needed to hold the cable in the position shown, i.e., so segment BC remains horizontal. Also, compute the sag y_B and the maximum tension in the cable.



Prob. 7-93

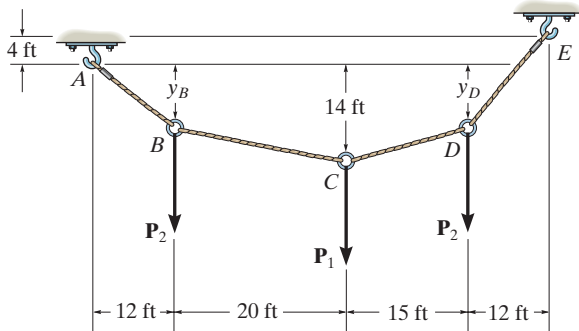
7-94. Cable $ABCD$ supports the 10-kg lamp E and the 15-kg lamp F . Determine the maximum tension in the cable and the sag y_B of point B .



Prob. 7-94

7-95. The cable supports the three loads shown. Determine the sags y_B and y_D of points B and D . Take $P_1 = 400$ lb, $P_2 = 250$ lb.

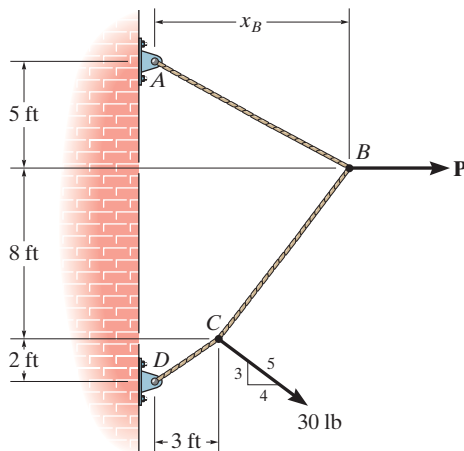
***7-96.** The cable supports the three loads shown. Determine the magnitude of P_1 if $P_2 = 300$ lb and $y_B = 8$ ft. Also find the sag y_D .



Probs. 7-95/96

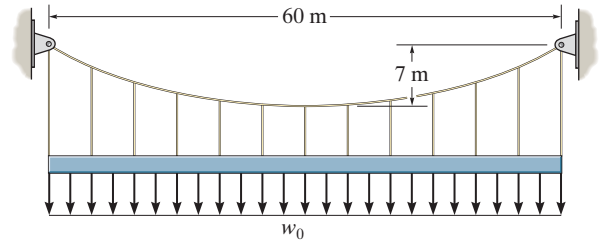
•7-97. The cable supports the loading shown. Determine the horizontal distance x_B the force at point B acts from A . Set $P = 40$ lb.

7-98. The cable supports the loading shown. Determine the magnitude of the horizontal force P so that $x_B = 6$ ft.



Probs. 7-97/98

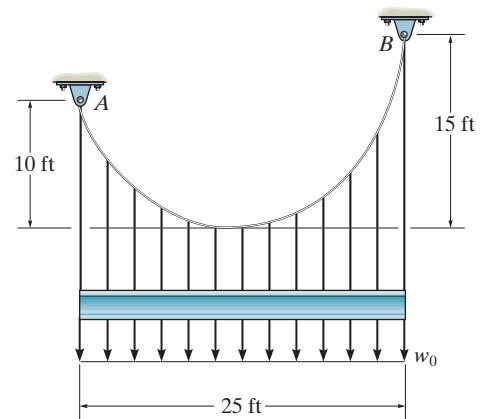
7-99. Determine the maximum uniform distributed loading w_0 N/m that the cable can support if it is capable of sustaining a maximum tension of 60 kN.



Prob. 7-99

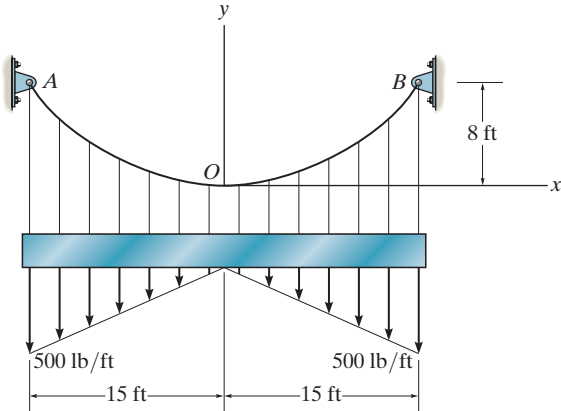
***7-100.** The cable supports the uniform distributed load of $w_0 = 600$ lb/ft. Determine the tension in the cable at each support A and B .

•7-101. Determine the maximum uniform distributed load w_0 the cable can support if the maximum tension the cable can sustain is 4000 lb.



Prob. 7-101

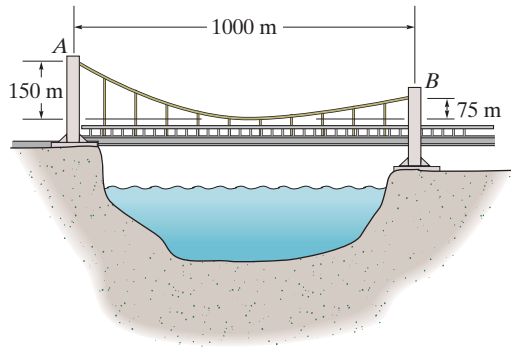
7-102. The cable is subjected to the triangular loading. If the slope of the cable at point O is zero, determine the equation of the curve $y = f(x)$ which defines the cable shape OB , and the maximum tension developed in the cable.



Prob. 7-102

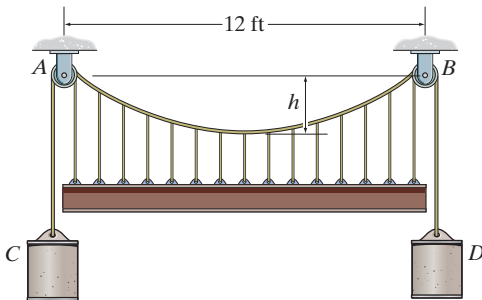
***7-104.** The bridge deck has a weight per unit length of 80 kN/m . It is supported on each side by a cable. Determine the tension in each cable at the piers A and B .

•7-105. If each of the two side cables that support the bridge deck can sustain a maximum tension of 50 MN , determine the allowable uniform distributed load w_0 caused by the weight of the bridge deck.



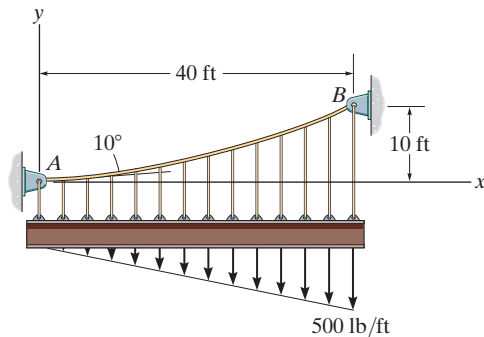
Probs. 7-104/105

7-103. If cylinders C and D each weigh 900 lb , determine the maximum sag h , and the length of the cable between the smooth pulleys at A and B . The beam has a weight per unit length of 100 lb/ft .



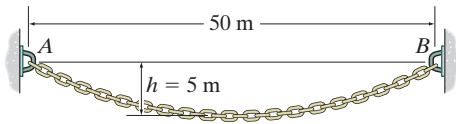
Prob. 7-103

7-106. If the slope of the cable at support A is 10° , determine the deflection curve $y = f(x)$ of the cable and the maximum tension developed in the cable.



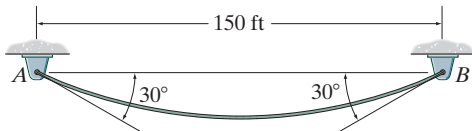
Prob. 7-106

7-107. If $h = 5$ m, determine the maximum tension developed in the chain and its length. The chain has a mass per unit length of 8 kg/m.



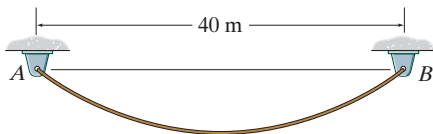
Prob. 7-107

***7-108.** A cable having a weight per unit length of 5 lb/ft is suspended between supports A and B . Determine the equation of the catenary curve of the cable and the cable's length.



Prob. 7-108

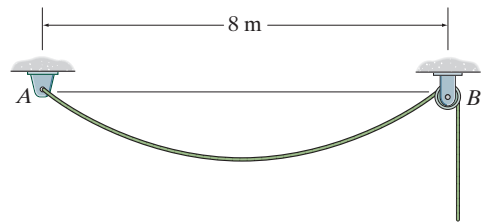
•7-109. If the 45-m-long cable has a mass per unit length of 5 kg/m, determine the equation of the catenary curve of the cable and the maximum tension developed in the cable.



Prob. 7-109

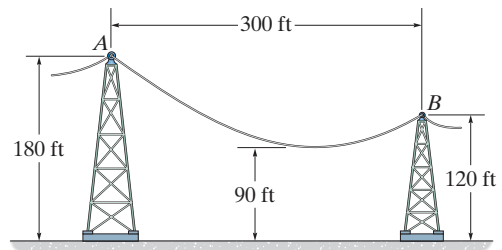
7-110. Show that the deflection curve of the cable discussed in Example 7-13 reduces to Eq. 4 in Example 7-12 when the *hyperbolic cosine function* is expanded in terms of a series and only the first two terms are retained. (The answer indicates that the *catenary* may be replaced by a parabola in the analysis of problems in which the sag is small. In this case, the cable weight is assumed to be uniformly distributed along the horizontal.)

7-111. The cable has a mass per unit length of 10 kg/m. Determine the shortest total length L of the cable that can be suspended in equilibrium.



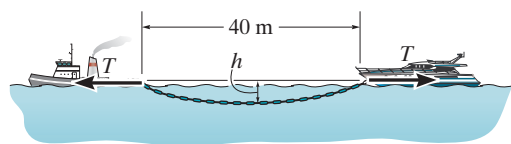
Prob. 7-111

***7-112.** The power transmission cable has a weight per unit length of 15 lb/ft. If the lowest point of the cable must be at least 90 ft above the ground, determine the maximum tension developed in the cable and the cable's length between A and B .



Prob. 7-112

•7-113. If the horizontal towing force is $T = 20$ kN and the chain has a mass per unit length of 15 kg/m, determine the maximum sag h . Neglect the buoyancy effect of the water on the chain. The boats are stationary.



Prob. 7-113

CHAPTER REVIEW

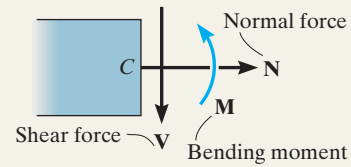
Internal Loadings

If a coplanar force system acts on a member, then in general a resultant internal *normal force* \mathbf{N} , *shear force* \mathbf{V} , and *bending moment* \mathbf{M} will act at any cross section along the member. The positive directions of these loadings are shown in the figure.

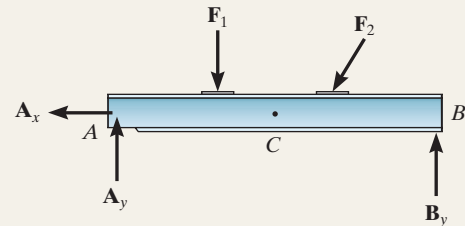
The resultant internal normal force, shear force, and bending moment are determined using the method of sections. To find them, the member is sectioned at the point C where the internal loadings are to be determined. A free-body diagram of one of the sectioned parts is then drawn and the internal loadings are shown in their positive directions.

The resultant normal force is determined by summing forces normal to the cross section. The resultant shear force is found by summing forces tangent to the cross section, and the resultant bending moment is found by summing moments about the geometric center or centroid of the cross-sectional area.

If the member is subjected to a three-dimensional loading, then, in general, a *torsional moment* will also act on the cross section. It can be determined by summing moments about an axis that is perpendicular to the cross section and passes through its centroid.



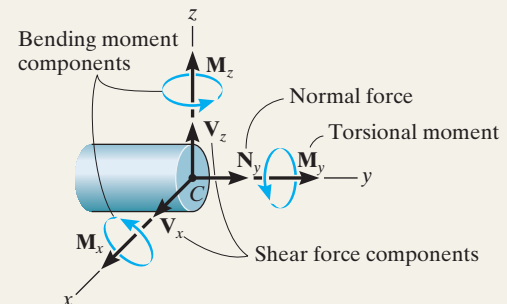
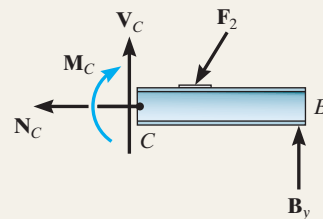
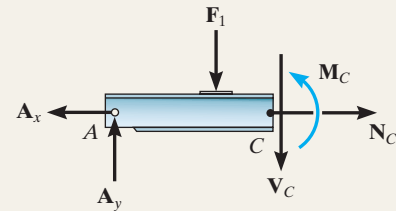
(a)



$$\sum F_x = 0$$

$$\sum F_y = 0$$

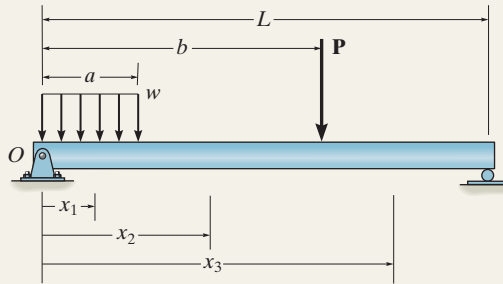
$$\sum M_C = 0$$



Shear and Moment Diagrams

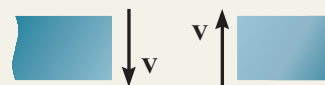
To construct the shear and moment diagrams for a member, it is necessary to section the member at an arbitrary point, located a distance x from the left end.

If the external loading consists of changes in the distributed load, or a series of concentrated forces and couple moments act on the member, then different expressions for V and M must be determined within regions between any load discontinuities.

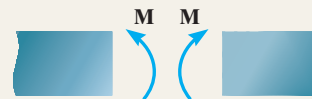


The unknown shear and moment are indicated on the cross section in the positive direction according to the established sign convention, and then the internal shear and moment are determined as functions of x .

Each of the functions of the shear and moment is then plotted to create the shear and moment diagrams.



Positive shear



Positive moment

Relations between Shear and Moment

It is possible to plot the shear and moment diagrams quickly by using differential relationships that exist between the distributed loading w and V and M .

The slope of the shear diagram is equal to the distributed loading at any point. The slope is positive if the distributed load acts upward, and vice-versa.

The slope of the moment diagram is equal to the shear at any point. The slope is positive if the shear is positive, or vice-versa.

The change in shear between any two points is equal to the area under the distributed loading between the points.

The change in the moment is equal to the area under the shear diagram between the points.

$$\frac{dV}{dx} = w$$

$$\frac{dM}{dx} = V$$

$$\Delta V = \int w \, dx$$

$$\Delta M = \int V \, dx$$

Cables

When a flexible and inextensible cable is subjected to a series of concentrated forces, then the analysis of the cable can be performed by using the equations of equilibrium applied to free-body diagrams of either segments or points of application of the loading.

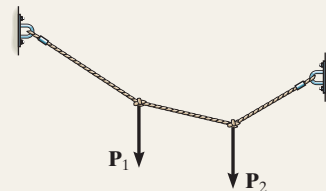
If external distributed loads or the weight of the cable are to be considered, then the shape of the cable must be determined by first analyzing the forces on a differential segment of the cable and then integrating this result. The two constants, say C_1 and C_2 , resulting from the integration are determined by applying the boundary conditions for the cable.

$$y = \frac{1}{F_H} \int \left(\int w(x) \, dx \right) dx$$

Distributed load

$$x = \int \frac{ds}{\left[1 + \frac{1}{F_H^2} \left(\int w(s) \, ds \right)^2 \right]^{1/2}}$$

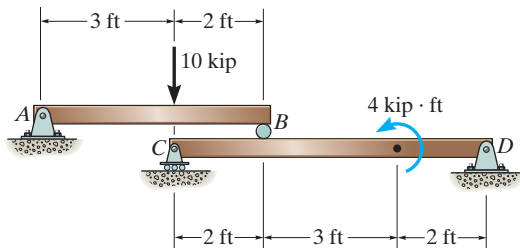
Cable weight



REVIEW PROBLEMS

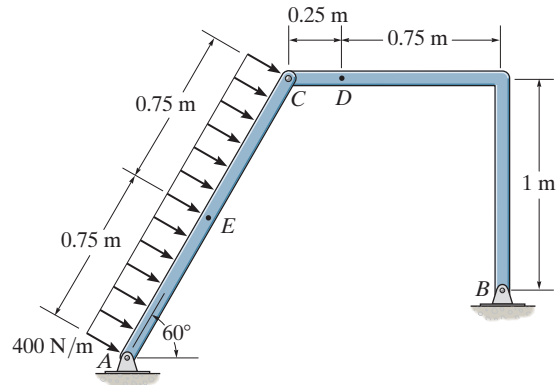
7-114. A 100-lb cable is attached between two points at a distance 50 ft apart having equal elevations. If the maximum tension developed in the cable is 75 lb, determine the length of the cable and the sag.

7-115. Draw the shear and moment diagrams for beam CD .



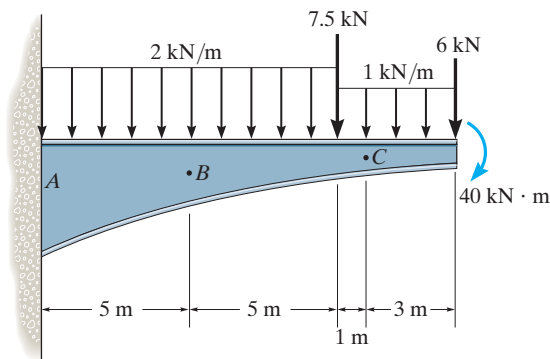
Prob. 7-115

7-117. Determine the internal normal force, shear force and moment at points D and E of the frame.



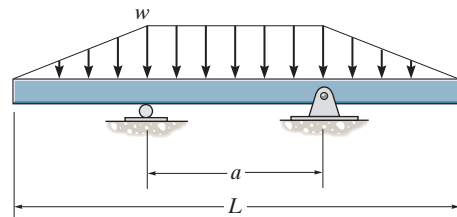
Prob. 7-117

7-116. Determine the internal normal force, shear force, and moment at points B and C of the beam.



Prob. 7-116

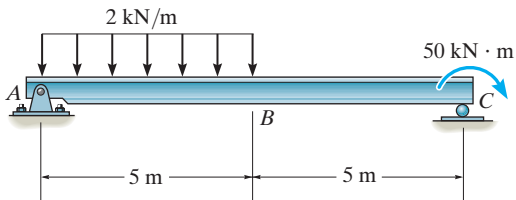
7-118. Determine the distance a between the supports in terms of the beam's length L so that the moment in the symmetric beam is zero at the beam's center.



Prob. 7-118

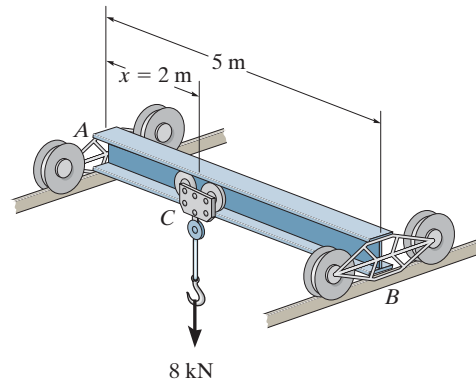
7-119. A chain is suspended between points at the same elevation and spaced a distance of 60 ft apart. If it has a weight per unit length of 0.5 lb/ft and the sag is 3 ft, determine the maximum tension in the chain.

***7-120.** Draw the shear and moment diagrams for the beam.



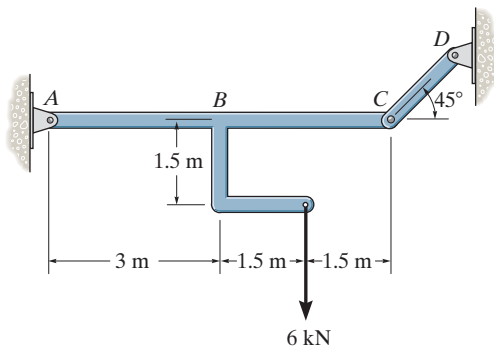
Prob. 7-120

7-122. The traveling crane consists of a 5-m-long beam having a uniform mass per unit length of 20 kg/m. The chain hoist and its supported load exert a force of 8 kN on the beam when $x = 2$ m. Draw the shear and moment diagrams for the beam. The guide wheels at the ends A and B exert only vertical reactions on the beam. Neglect the size of the trolley at C .



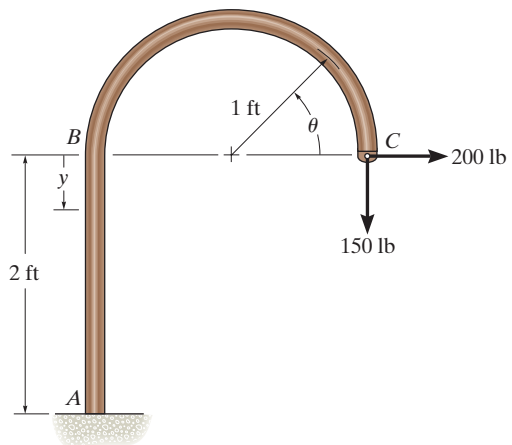
Prob. 7-122

7 **•7-121.** Determine the internal shear and moment in member ABC as a function of x , where the origin for x is at A .



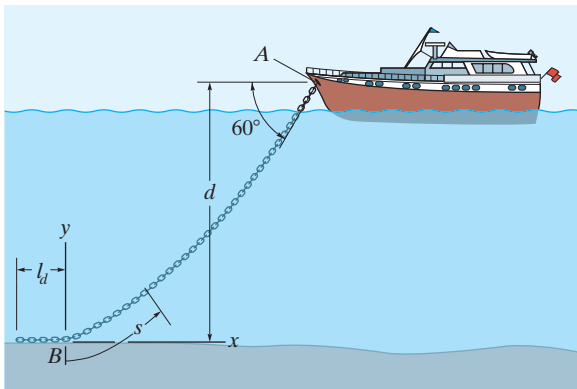
Prob. 7-121

***7-123.** Determine the internal normal force, shear force, and the moment as a function of $0^\circ \leq \theta \leq 180^\circ$ and $0 \leq y \leq 2$ ft for the member loaded as shown.



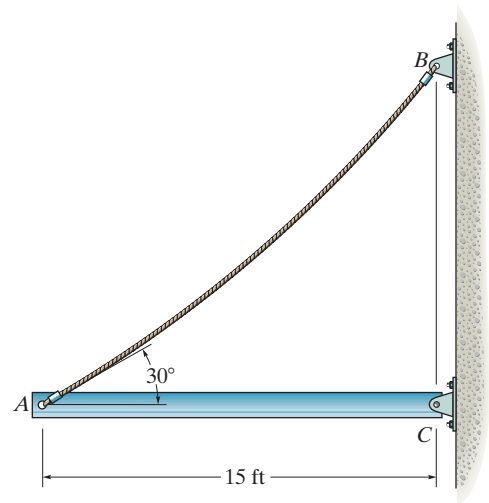
Prob. 7-123

***7-124.** The yacht is anchored with a chain that has a total length of 40 m and a mass per unit length of 18 kg/m, and the tension in the chain at A is 7 kN. Determine the length of chain l_d which is lying at the bottom of the sea. What is the distance d ? Assume that buoyancy effects of the water on the chain are negligible. *Hint:* Establish the origin of the coordinate system at B as shown in order to find the chain length BA .



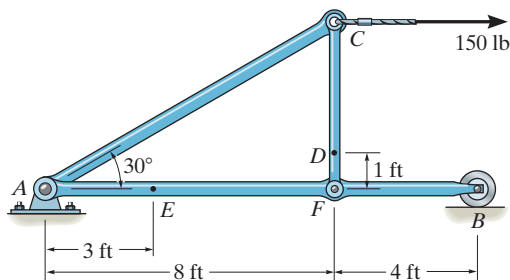
Prob. 7-124

7-126. The uniform beam weighs 500 lb and is held in the horizontal position by means of cable AB , which has a weight of 5 lb/ft. If the slope of the cable at A is 30° , determine the length of the cable.



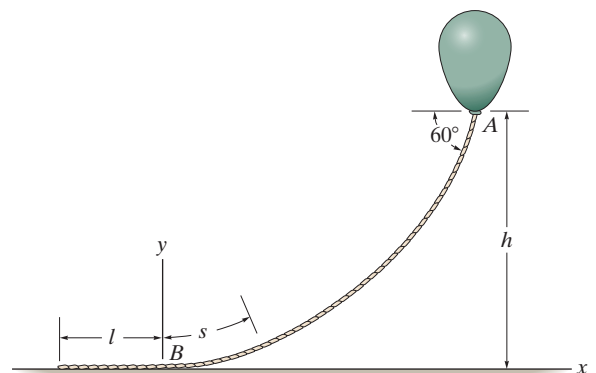
Prob. 7-126

•7-125. Determine the internal normal force, shear force, and moment at points D and E of the frame.



Prob. 7-125

7-127. The balloon is held in place using a 400-ft cord that weighs 0.8 lb/ft and makes a 60° angle with the horizontal. If the tension in the cord at point A is 150 lb, determine the length of the cord, l , that is lying on the ground and the height h . *Hint:* Establish the coordinate system at B as shown.



Prob. 7-127



The effective design of a brake system, such as the one for this bicycle, requires an efficient capacity for the mechanism to resist frictional forces. In this chapter, we will study the nature of friction and show how these forces are considered in engineering analysis and design.

www.semeng.ir

CHAPTER OBJECTIVES

- To introduce the concept of dry friction and show how to analyze the equilibrium of rigid bodies subjected to this force.
- To present specific applications of frictional force analysis on wedges, screws, belts, and bearings.
- To investigate the concept of rolling resistance.

8.1 Characteristics of Dry Friction

Friction is a force that resists the movement of two contacting surfaces that slide relative to one another. This force always acts *tangent* to the surface at the points of contact and is directed so as to oppose the possible or existing motion between the surfaces.

In this chapter, we will study the effects of *dry friction*, which is sometimes called *Coulomb friction* since its characteristics were studied extensively by C. A. Coulomb in 1781. Dry friction occurs between the contacting surfaces of bodies when there is no lubricating fluid.*



The heat generated by the abrasive action of friction can be noticed when using this grinder to sharpen a metal blade.

*Another type of friction, called fluid friction, is studied in fluid mechanics.

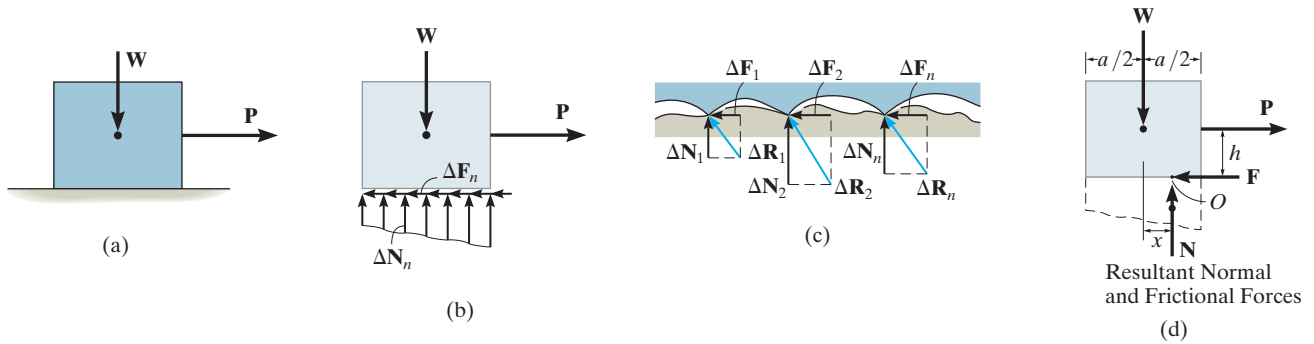


Fig. 8-1

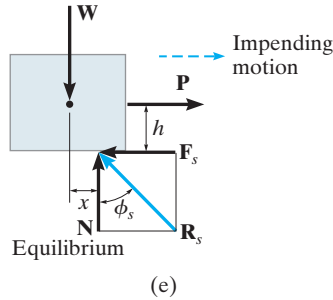


Regardless of the weight of the rake or shovel that is suspended, the device has been designed so that the small roller holds the handle in equilibrium due to frictional forces that develop at the points of contact, *A*, *B*, *C*.

Theory of Dry Friction. The theory of dry friction can be explained by considering the effects caused by pulling horizontally on a block of uniform weight W which is resting on a rough horizontal surface that is *nonrigid* or *deformable*, Fig. 8-1*a*. The upper portion of the block, however, can be considered rigid. As shown on the free-body diagram of the block, Fig. 8-1*b*, the floor exerts an uneven *distribution* of both *normal force* ΔN_n and *frictional force* ΔF_n along the contacting surface. For equilibrium, the normal forces must act *upward* to balance the block's weight W , and the frictional forces act to the left to prevent the applied force P from moving the block to the right. Close examination of the contacting surfaces between the floor and block reveals how these frictional and normal forces develop, Fig. 8-1*c*. It can be seen that many microscopic irregularities exist between the two surfaces and, as a result, reactive forces ΔR_n are developed at each point of contact.* As shown, each reactive force contributes both a frictional component ΔF_n and a normal component ΔN_n .

Equilibrium. The effect of the *distributed* normal and frictional loadings is indicated by their *resultants* N and F on the free-body diagram, Fig. 8-1*d*. Notice that N acts a distance x to the right of the line of action of W , Fig. 8-1*d*. This location, which coincides with the centroid or geometric center of the normal force distribution in Fig. 8-1*b*, is necessary in order to balance the “tipping effect” caused by P . For example, if P is applied at a height h from the surface, Fig. 8-1*d*, then moment equilibrium about point O is satisfied if $Wx = Ph$ or $x = Ph/W$.

*Besides mechanical interactions as explained here, which is referred to as a classical approach, a detailed treatment of the nature of frictional forces must also include the effects of temperature, density, cleanliness, and atomic or molecular attraction between the contacting surfaces. See J. Krim, *Scientific American*, October, 1996.



Impending Motion. In cases where the surfaces of contact are rather “slippery,” the frictional force \mathbf{F} may *not* be great enough to balance \mathbf{P} , and consequently the block will tend to slip. In other words, as P is slowly increased, F correspondingly increases until it attains a certain *maximum value* F_s , called the *limiting static frictional force*, Fig. 8–1e. When this value is reached, the block is in *unstable equilibrium* since any further increase in P will cause the block to move. Experimentally, it has been determined that this limiting static frictional force F_s is *directly proportional* to the resultant normal force N . Expressed mathematically,

$$F_s = \mu_s N \quad (8-1)$$

where the constant of proportionality, μ_s (mu “sub” s), is called the *coefficient of static friction*.

Thus, when the block is on the *verge of sliding*, the normal force \mathbf{N} and frictional force \mathbf{F}_s combine to create a resultant \mathbf{R}_s , Fig. 8–1e. The angle ϕ_s (phi “sub” s) that \mathbf{R}_s makes with \mathbf{N} is called the *angle of static friction*. From the figure,

$$\phi_s = \tan^{-1}\left(\frac{F_s}{N}\right) = \tan^{-1}\left(\frac{\mu_s N}{N}\right) = \tan^{-1} \mu_s$$

Typical values for μ_s are given in Table 8–1. Note that these values can vary since experimental testing was done under variable conditions of roughness and cleanliness of the contacting surfaces. For applications, therefore, it is important that both caution and judgment be exercised when selecting a coefficient of friction for a given set of conditions. When a more accurate calculation of F_s is required, the coefficient of friction should be determined directly by an experiment that involves the two materials to be used.

Table 8–1
Typical Values for μ_s

Contact Materials	Coefficient of Static Friction (μ_s)
Metal on ice	0.03–0.05
Wood on wood	0.30–0.70
Leather on wood	0.20–0.50
Leather on metal	0.30–0.60
Aluminum on aluminum	1.10–1.70

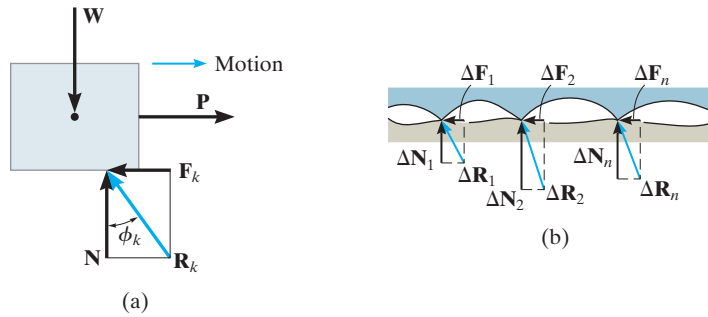


Fig. 8-2

Motion. If the magnitude of \mathbf{P} acting on the block is increased so that it becomes slightly greater than F_s , the frictional force at the contacting surface will drop to a smaller value F_k , called the *kinetic frictional force*. The block will begin to slide with increasing speed, Fig. 8-2a. As this occurs, the block will “ride” on top of these peaks at the points of contact, as shown in Fig. 8-2b. The continued breakdown of the surface is the dominant mechanism creating kinetic friction.

Experiments with sliding blocks indicate that the magnitude of the kinetic friction force is directly proportional to the magnitude of the resultant normal force, expressed mathematically as

$$F_k = \mu_k N \quad (8-2)$$

Here the constant of proportionality, μ_k , is called the *coefficient of kinetic friction*. Typical values for μ_k are approximately 25 percent smaller than those listed in Table 8-1 for μ_s .

As shown in Fig. 8-2a, in this case, the resultant force at the surface of contact, \mathbf{R}_k , has a line of action defined by ϕ_k . This angle is referred to as the *angle of kinetic friction*, where

$$\phi_k = \tan^{-1}\left(\frac{F_k}{N}\right) = \tan^{-1}\left(\frac{\mu_k N}{N}\right) = \tan^{-1} \mu_k$$

By comparison, $\phi_s \geq \phi_k$.

The above effects regarding friction can be summarized by referring to the graph in Fig. 8–3, which shows the variation of the frictional force F versus the applied load P . Here the frictional force is categorized in three different ways:

- F is a *static frictional force* if equilibrium is maintained.
- F is a *limiting static frictional force* F_s when it reaches a maximum value needed to maintain equilibrium.
- F is termed a *kinetic frictional force* F_k when sliding occurs at the contacting surface.

Notice also from the graph that for very large values of P or for high speeds, aerodynamic effects will cause F_k and likewise μ_k to begin to decrease.

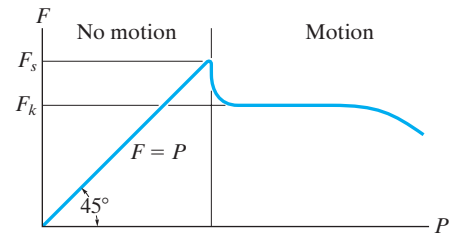


Fig. 8–3

Characteristics of Dry Friction. As a result of *experiments* that pertain to the foregoing discussion, we can state the following rules which apply to bodies subjected to dry friction.

- The frictional force acts *tangent* to the contacting surfaces in a direction *opposed* to the *motion* or tendency for motion of one surface relative to another.
- The maximum static frictional force F_s that can be developed is independent of the area of contact, provided the normal pressure is not very low nor great enough to severely deform or crush the contacting surfaces of the bodies.
- The maximum static frictional force is generally greater than the kinetic frictional force for any two surfaces of contact. However, if one of the bodies is moving with a *very low velocity* over the surface of another, F_k becomes approximately equal to F_s , i.e., $\mu_s \approx \mu_k$.
- When *slipping* at the surface of contact is *about to occur*, the maximum static frictional force is proportional to the normal force, such that $F_s = \mu_s N$.
- When *slipping* at the surface of contact is *occurring*, the kinetic frictional force is proportional to the normal force, such that $F_k = \mu_k N$.

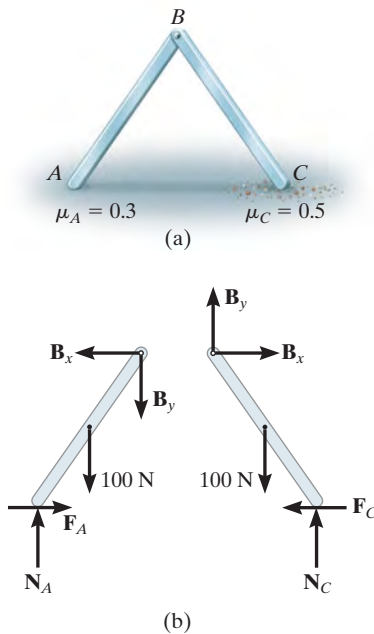


Fig. 8-4

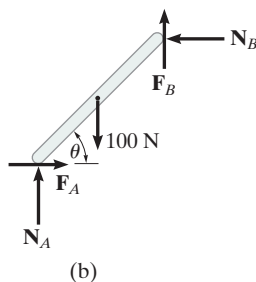
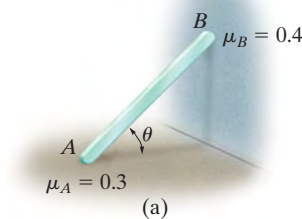


Fig. 8-5

8.2 Problems Involving Dry Friction

If a rigid body is in equilibrium when it is subjected to a system of forces that includes the effect of friction, the force system must satisfy not only the equations of equilibrium but *also* the laws that govern the frictional forces.

Types of Friction Problems. In general, there are three types of mechanics problems involving dry friction. They can easily be classified once free-body diagrams are drawn and the total number of unknowns are identified and compared with the total number of available equilibrium equations.

No Apparent Impending Motion. Problems in this category are strictly equilibrium problems, which require the number of unknowns to be *equal* to the number of available equilibrium equations. Once the frictional forces are determined from the solution, however, their numerical values must be checked to be sure they satisfy the inequality $F \leq \mu_s N$; otherwise, slipping will occur and the body will not remain in equilibrium. A problem of this type is shown in Fig. 8-4a. Here we must determine the frictional forces at A and C to check if the equilibrium position of the two-member frame can be maintained. If the bars are uniform and have known weights of 100 N each, then the free-body diagrams are as shown in Fig. 8-4b. There are six unknown force components which can be determined *strictly* from the six equilibrium equations (three for each member). Once F_A , N_A , F_C , and N_C are determined, then the bars will remain in equilibrium provided $F_A \leq 0.3N_A$ and $F_C \leq 0.5N_C$ are satisfied.

Impending Motion at All Points of Contact. In this case the total number of unknowns will *equal* the total number of available equilibrium equations *plus* the total number of available frictional equations, $F = \mu N$. When *motion is impending* at the points of contact, then $F_s = \mu_s N$; whereas if the body is *slipping*, then $F_k = \mu_k N$. For example, consider the problem of finding the smallest angle θ at which the 100-N bar in Fig. 8-5a can be placed against the wall without slipping. The free-body diagram is shown in Fig. 8-5b. Here the *five* unknowns are determined from the *three* equilibrium equations and *two* static frictional equations which apply at *both* points of contact, so that $F_A = 0.3N_A$ and $F_B = 0.4N_B$.

Impending Motion at Some Points of Contact. Here the number of unknowns will be *less* than the number of available equilibrium equations plus the number of available frictional equations or conditional equations for tipping. As a result, several possibilities for motion or impending motion will exist and the problem will involve a determination of the kind of motion which actually occurs. For example, consider the two-member frame in Fig. 8–6*a*. In this problem we wish to determine the horizontal force P needed to cause movement. If each member has a weight of 100 N, then the free-body diagrams are as shown in Fig. 8–6*b*. There are *seven* unknowns. For a unique solution we must satisfy the *six* equilibrium equations (three for each member) and only *one* of two possible static frictional equations. This means that as P increases it will either cause slipping at A and no slipping at C , so that $F_A = 0.3N_A$ and $F_C \leq 0.5N_C$; or slipping occurs at C and no slipping at A , in which case $F_C = 0.5N_C$ and $F_A \leq 0.3N_A$. The actual situation can be determined by calculating P for each case and then choosing the case for which P is *smaller*. If in both cases the *same value* for P is calculated, which in practice would be highly improbable, then slipping at both points occurs simultaneously; i.e., the *seven unknowns* would satisfy *eight equations*.

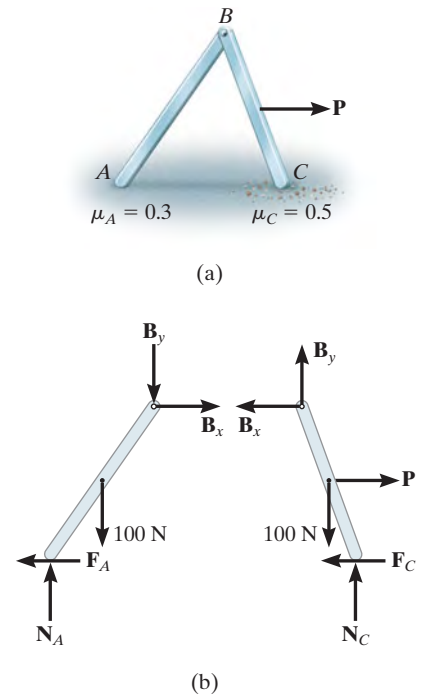
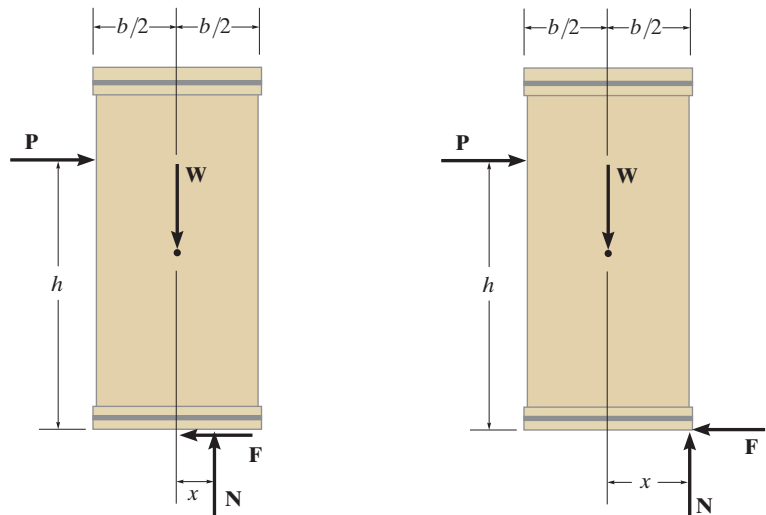
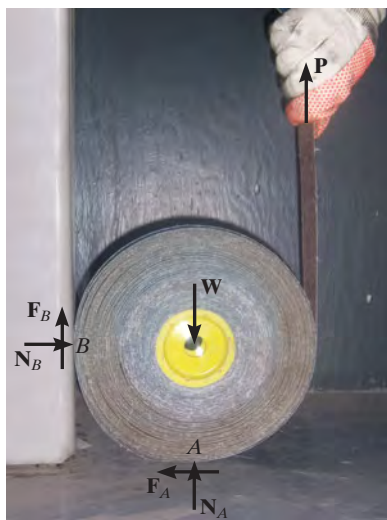


Fig. 8–6



Consider pushing on the uniform crate that has a weight W and sits on the rough surface. As shown on the first free-body diagram, if the magnitude of \mathbf{P} is small, the crate will remain in equilibrium. As P increases the crate will either be on the verge of slipping on the surface ($F = \mu_s N$), or if the surface is very rough (large μ_s) then the resultant normal force will shift to the corner, $x = b/2$, as shown on the second free-body diagram. At this point the crate will begin to tip over. The crate also has a greater chance of tipping if \mathbf{P} is applied at a greater height h above the surface, or if its width b is smaller.



The applied vertical force \mathbf{P} on this roll must be large enough to overcome the resistance of friction at the contacting surfaces A and B in order to cause rotation.

Equilibrium Versus Frictional Equations. Whenever we solve problems where the friction force F is to be an “equilibrium force” and satisfies the inequality $F < \mu_s N$, then we can assume the sense of direction of F on the free-body diagram. The correct sense is made known *after* solving the equations of equilibrium for F . If F is a negative scalar the sense of \mathbf{F} is the reverse of that which was assumed. This convenience of *assuming* the sense of \mathbf{F} is possible because the equilibrium equations equate to zero the *components of vectors* acting in the *same direction*. However, in cases where the frictional equation $F = \mu N$ is used in the solution of a problem, the convenience of *assuming* the sense of \mathbf{F} is *lost*, since the frictional equation relates only the *magnitudes* of two *perpendicular* vectors. Consequently, \mathbf{F} *must always* be shown acting with its *correct sense* on the free-body diagram, *whenever* the frictional equation is used for the solution of a problem.

Procedure for Analysis

Equilibrium problems involving dry friction can be solved using the following procedure.

Free-Body Diagrams.

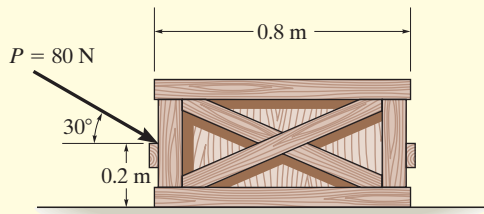
- Draw the necessary free-body diagrams, and unless it is stated in the problem that impending motion or slipping occurs, *always* show the frictional forces as unknowns (i.e., *do not assume* $F = \mu N$).
- Determine the number of unknowns and compare this with the number of available equilibrium equations.
- If there are more unknowns than equations of equilibrium, it will be necessary to apply the frictional equation at some, if not all, points of contact to obtain the extra equations needed for a complete solution.
- If the equation $F = \mu N$ is to be used, it will be necessary to show \mathbf{F} acting in the correct sense of direction on the free-body diagram.

Equations of Equilibrium and Friction.

- Apply the equations of equilibrium and the necessary frictional equations (or conditional equations if tipping is possible) and solve for the unknowns.
- If the problem involves a three-dimensional force system such that it becomes difficult to obtain the force components or the necessary moment arms, apply the equations of equilibrium using Cartesian vectors.

EXAMPLE 8.1

The uniform crate shown in Fig. 8–7a has a mass of 20 kg. If a force $P = 80 \text{ N}$ is applied to the crate, determine if it remains in equilibrium. The coefficient of static friction is $\mu_s = 0.3$.



(a)

Fig. 8–7

SOLUTION

Free-Body Diagram. As shown in Fig. 8–7b, the *resultant* normal force \mathbf{N}_C must act a distance x from the crate's center line in order to counteract the tipping effect caused by \mathbf{P} . There are *three unknowns*, F , N_C , and x , which can be determined strictly from the *three* equations of equilibrium.

Equations of Equilibrium.

$$\rightarrow \Sigma F_x = 0; \quad 80 \cos 30^\circ \text{ N} - F = 0$$

$$+\uparrow \Sigma F_y = 0; \quad -80 \sin 30^\circ \text{ N} + N_C - 196.2 \text{ N} = 0$$

$$\zeta + \Sigma M_O = 0; \quad 80 \sin 30^\circ \text{ N}(0.4 \text{ m}) - 80 \cos 30^\circ \text{ N}(0.2 \text{ m}) + N_C(x) = 0$$

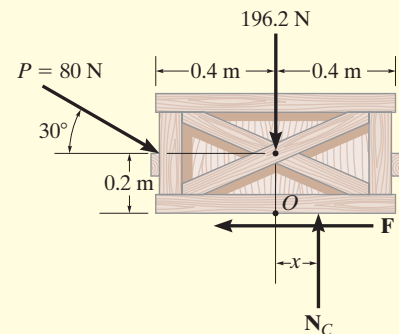
Solving,

$$F = 69.3 \text{ N}$$

$$N_C = 236 \text{ N}$$

$$x = -0.00908 \text{ m} = -9.08 \text{ mm}$$

Since x is negative it indicates the *resultant* normal force acts (slightly) to the *left* of the crate's center line. No tipping will occur since $x < 0.4 \text{ m}$. Also, the *maximum* frictional force which can be developed at the surface of contact is $F_{\max} = \mu_s N_C = 0.3(236 \text{ N}) = 70.8 \text{ N}$. Since $F = 69.3 \text{ N} < 70.8 \text{ N}$, the crate will *not slip*, although it is very close to doing so.



(b)

EXAMPLE 8.2

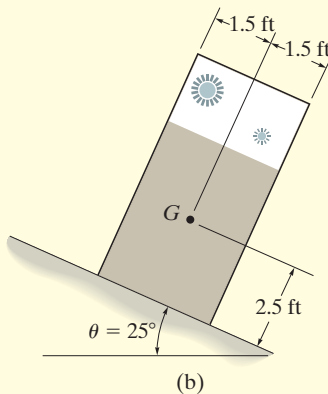


(a)

It is observed that when the bed of the dump truck is raised to an angle of $\theta = 25^\circ$ the vending machines will begin to slide off the bed, Fig. 8–8a. Determine the static coefficient of friction between a vending machine and the surface of the truckbed.

SOLUTION

An idealized model of a vending machine resting on the truckbed is shown in Fig. 8–8b. The dimensions have been measured and the center of gravity has been located. We will assume that the vending machine weighs W .



(b)

Free-Body Diagram. As shown in Fig. 8–8c, the dimension x is used to locate the position of the resultant normal force \mathbf{N} . There are four unknowns, N , F , μ_s , and x .

Equations of Equilibrium.

$$+\searrow \Sigma F_x = 0; \quad W \sin 25^\circ - F = 0 \quad (1)$$

$$+\nearrow \Sigma F_y = 0; \quad N - W \cos 25^\circ = 0 \quad (2)$$

$$\zeta + \Sigma M_O = 0; \quad -W \sin 25^\circ(2.5 \text{ ft}) + W \cos 25^\circ(x) = 0 \quad (3)$$

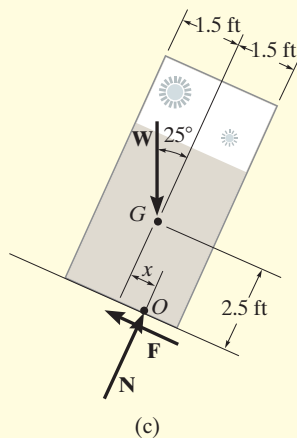
Since slipping impends at $\theta = 25^\circ$, using Eqs. 1 and 2, we have

$$F_s = \mu_s N; \quad W \sin 25^\circ = \mu_s (W \cos 25^\circ)$$

$$\mu_s = \tan 25^\circ = 0.466$$

Ans.

The angle of $\theta = 25^\circ$ is referred to as the *angle of repose*, and by comparison, it is equal to the angle of static friction, $\theta = \phi_s$. Notice from the calculation that θ is independent of the weight of the vending machine, and so knowing θ provides a convenient method for determining the coefficient of static friction.



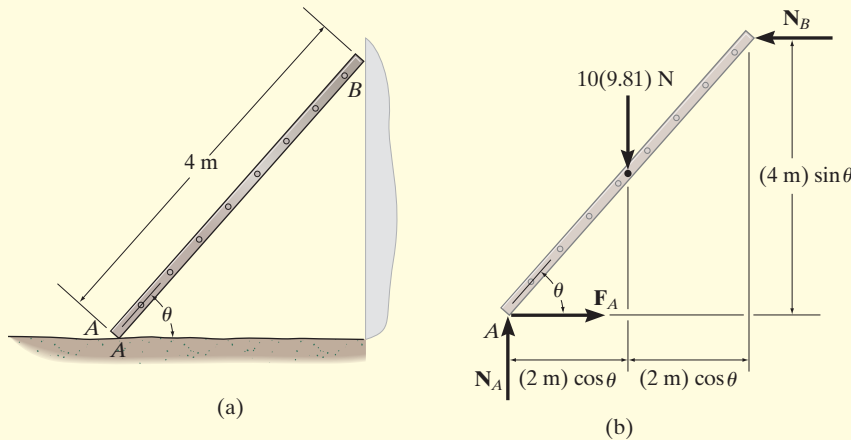
(c)

Fig. 8–8

NOTE: From Eq. 3, we find $x = 1.17 \text{ ft}$. Since $1.17 \text{ ft} < 1.5 \text{ ft}$, indeed the vending machine will slip before it can tip as observed in Fig. 8–8a.

EXAMPLE 8.3

The uniform 10-kg ladder in Fig. 8–9*a* rests against the smooth wall at *B*, and the end *A* rests on the rough horizontal plane for which the coefficient of static friction is $\mu_s = 0.3$. Determine the angle of inclination θ of the ladder and the normal reaction at *B* if the ladder is on the verge of slipping.

**Fig. 8–9****SOLUTION**

Free-Body Diagram. As shown on the free-body diagram, Fig. 8–9*b*, the frictional force \mathbf{F}_A must act to the right since impending motion at *A* is to the left.

Equations of Equilibrium and Friction. Since the ladder is on the verge of slipping, then $F_A = \mu_s N_A = 0.3N_A$. By inspection, N_A can be obtained directly.

$$+\uparrow \Sigma F_y = 0; \quad N_A - 10(9.81) \text{ N} = 0 \quad N_A = 98.1 \text{ N}$$

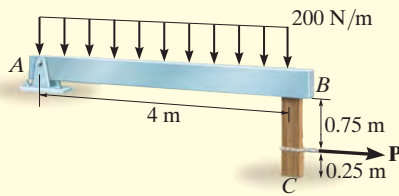
Using this result, $F_A = 0.3(98.1 \text{ N}) = 29.43 \text{ N}$. Now N_B can be found.

$$\begin{aligned} \rightarrow \Sigma F_x = 0; \quad 29.43 \text{ N} - N_B &= 0 \\ N_B = 29.43 \text{ N} &= 29.4 \text{ N} \quad \text{Ans.} \end{aligned}$$

Finally, the angle θ can be determined by summing moments about point *A*.

$$\begin{aligned} \zeta + \Sigma M_A = 0; \quad (29.43 \text{ N})(4 \text{ m}) \sin \theta - [10(9.81) \text{ N}](2 \text{ m}) \cos \theta &= 0 \\ \frac{\sin \theta}{\cos \theta} = \tan \theta &= 1.6667 \\ \theta = 59.04^\circ &= 59.0^\circ \quad \text{Ans.} \end{aligned}$$

EXAMPLE 8.4



(a)

Beam AB is subjected to a uniform load of 200 N/m and is supported at B by post BC , Fig. 8–10a. If the coefficients of static friction at B and C are $\mu_B = 0.2$ and $\mu_C = 0.5$, determine the force \mathbf{P} needed to pull the post out from under the beam. Neglect the weight of the members and the thickness of the beam.

SOLUTION

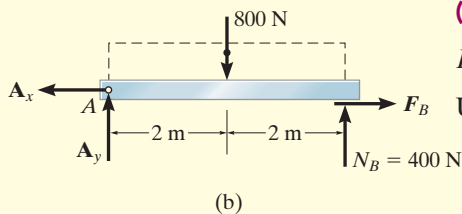
Free-Body Diagrams. The free-body diagram of the beam is shown in Fig. 8–10b. Applying $\sum M_A = 0$, we obtain $N_B = 400 \text{ N}$. This result is shown on the free-body diagram of the post, Fig. 8–10c. Referring to this member, the *four* unknowns F_B , P , F_C , and N_C are determined from the *three* equations of equilibrium and *one* frictional equation applied either at B or C .

Equations of Equilibrium and Friction.

$$\rightarrow \sum F_x = 0; \quad P - F_B - F_C = 0 \quad (1)$$

$$+\uparrow \sum F_y = 0; \quad N_C - 400 \text{ N} = 0 \quad (2)$$

$$\zeta + \sum M_C = 0; \quad -P(0.25 \text{ m}) + F_B(1 \text{ m}) = 0 \quad (3)$$



(b)

(Post Slips at B and Rotates about C.) This requires $F_C \leq \mu_C N_C$ and

$$F_B = \mu_B N_B; \quad F_B = 0.2(400 \text{ N}) = 80 \text{ N}$$

Using this result and solving Eqs. 1 through 3, we obtain

$$P = 320 \text{ N}$$

$$F_C = 240 \text{ N}$$

$$N_C = 400 \text{ N}$$

Since $F_C = 240 \text{ N} > \mu_C N_C = 0.5(400 \text{ N}) = 200 \text{ N}$, slipping at C occurs. Thus the other case of movement must be investigated.

(Post Slips at C and Rotates about B.) Here $F_B \leq \mu_B N_B$ and

$$F_C = \mu_C N_C; \quad F_C = 0.5 N_C \quad (4)$$

Solving Eqs. 1 through 4 yields

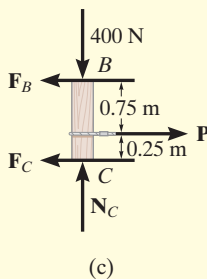
$$P = 267 \text{ N}$$

$$N_C = 400 \text{ N}$$

$$F_C = 200 \text{ N}$$

$$F_B = 66.7 \text{ N}$$

Ans.



(c)

Fig. 8–10

Obviously, this case occurs first since it requires a *smaller* value for P .

EXAMPLE 8.5

Blocks A and B have a mass of 3 kg and 9 kg, respectively, and are connected to the weightless links shown in Fig. 8–11a. Determine the largest vertical force \mathbf{P} that can be applied at the pin C without causing any movement. The coefficient of static friction between the blocks and the contacting surfaces is $\mu_s = 0.3$.

SOLUTION

Free-Body Diagram. The links are two-force members and so the free-body diagrams of pin C and blocks A and B are shown in Fig. 8–11b. Since the horizontal component of \mathbf{F}_{AC} tends to move block A to the left, \mathbf{F}_A must act to the right. Similarly, \mathbf{F}_B must act to the left to oppose the tendency of motion of block B to the right, caused by \mathbf{F}_{BC} . There are seven unknowns and six available force equilibrium equations, two for the pin and two for each block, so that *only one* frictional equation is needed.

Equations of Equilibrium and Friction. The force in links AC and BC can be related to P by considering the equilibrium of pin C .

$$+\uparrow \Sigma F_y = 0; \quad F_{AC} \cos 30^\circ - P = 0; \quad F_{AC} = 1.155P$$

$$\rightarrow \Sigma F_x = 0; \quad 1.155P \sin 30^\circ - F_{BC} = 0; \quad F_{BC} = 0.5774P$$

Using the result for F_{AC} , for block A ,

$$\rightarrow \Sigma F_x = 0; \quad F_A - 1.155P \sin 30^\circ = 0; \quad F_A = 0.5774P \quad (1)$$

$$+\uparrow \Sigma F_y = 0; \quad N_A - 1.155P \cos 30^\circ - 3(9.81 \text{ N}) = 0; \\ N_A = P + 29.43 \text{ N} \quad (2)$$

Using the result for F_{BC} , for block B ,

$$\rightarrow \Sigma F_x = 0; \quad (0.5774P) - F_B = 0; \quad F_B = 0.5774P \quad (3)$$

$$+\uparrow \Sigma F_y = 0; \quad N_B - 9(9.81 \text{ N}) = 0; \quad N_B = 88.29 \text{ N}$$

Movement of the system may be caused by the initial slipping of *either* block A or block B . If we assume that block A slips first, then

$$F_A = \mu_s N_A = 0.3 N_A \quad (4)$$

Substituting Eqs. 1 and 2 into Eq. 4,

$$0.5774P = 0.3(P + 29.43)$$

$$P = 31.8 \text{ N} \quad \text{Ans.}$$

Substituting this result into Eq. 3, we obtain $F_B = 18.4 \text{ N}$. Since the maximum static frictional force at B is $(F_B)_{\max} = \mu_s N_B = 0.3(88.29 \text{ N}) = 26.5 \text{ N} > F_B$, block B will not slip. Thus, the above assumption is correct. Notice that if the inequality were not satisfied, we would have to assume slipping of block B and then solve for P .

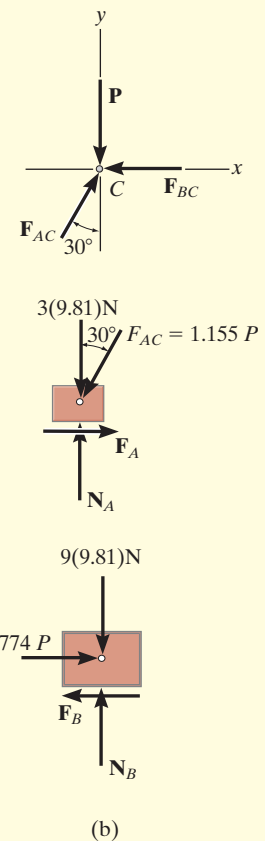
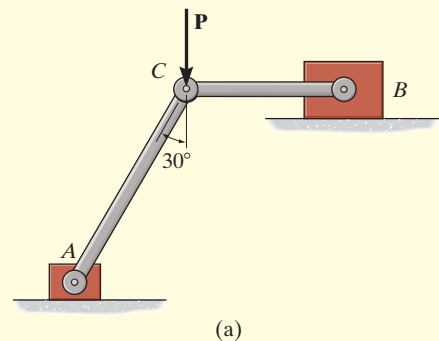
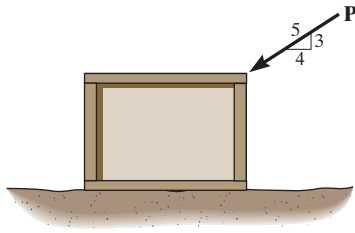


Fig. 8–11

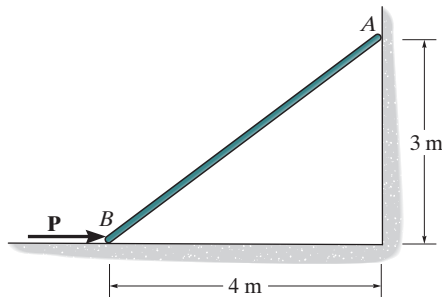
FUNDAMENTAL PROBLEMS

F8-1. If $P = 200$ N, determine the friction developed between the 50-kg crate and the ground. The coefficient of static friction between the crate and the ground is $\mu_s = 0.3$.



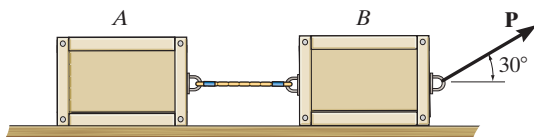
F8-1

F8-2. Determine the minimum force P to prevent the 30-kg rod AB from sliding. The contact surface at B is smooth, whereas the coefficient of static friction between the rod and the wall at A is $\mu_s = 0.2$.



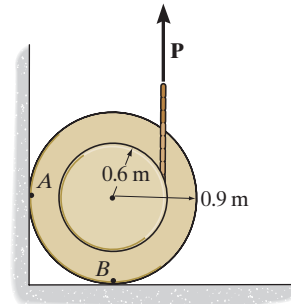
F8-2

F8-3. Determine the maximum force P that can be applied without causing the two 50-kg crates to move. The coefficient of static friction between each crate and the ground is $\mu_s = 0.25$.



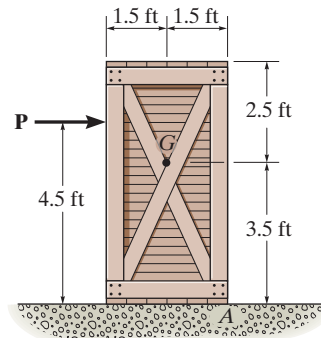
F8-3

F8-4. If the coefficient of static friction at contact points A and B is $\mu_s = 0.3$, determine the maximum force P that can be applied without causing the 100-kg spool to move.



F8-4

F8-5. Determine the minimum force P that can be applied without causing movement of the 250-lb crate which has a center of gravity at G . The coefficient of static friction at the floor is $\mu_s = 0.4$.



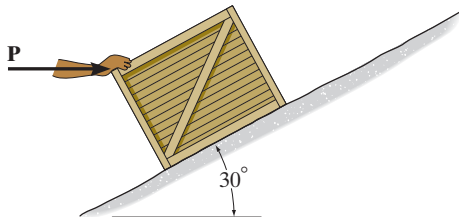
F8-5

PROBLEMS

8-1. Determine the minimum horizontal force P required to hold the crate from sliding down the plane. The crate has a mass of 50 kg and the coefficient of static friction between the crate and the plane is $\mu_s = 0.25$.

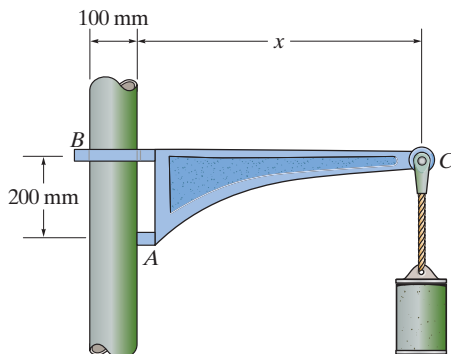
8-2. Determine the minimum force P required to push the crate up the plane. The crate has a mass of 50 kg and the coefficient of static friction between the crate and the plane is $\mu_s = 0.25$.

8-3. A horizontal force of $P = 100$ N is just sufficient to hold the crate from sliding down the plane, and a horizontal force of $P = 350$ N is required to just push the crate up the plane. Determine the coefficient of static friction between the plane and the crate, and find the mass of the crate.



Probs. 8-1/2/3

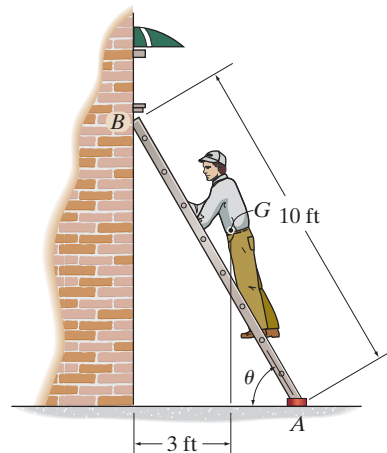
***8-4.** If the coefficient of static friction at A is $\mu_s = 0.4$ and the collar at B is smooth so it only exerts a horizontal force on the pipe, determine the minimum distance x so that the bracket can support the cylinder of any mass without slipping. Neglect the mass of the bracket.



Prob. 8-4

8-5. The 180-lb man climbs up the ladder and stops at the position shown after he senses that the ladder is on the verge of slipping. Determine the inclination θ of the ladder if the coefficient of static friction between the friction pad at A and the ground is $\mu_s = 0.4$. Assume the wall at B is smooth. The center of gravity for the man is at G . Neglect the weight of the ladder.

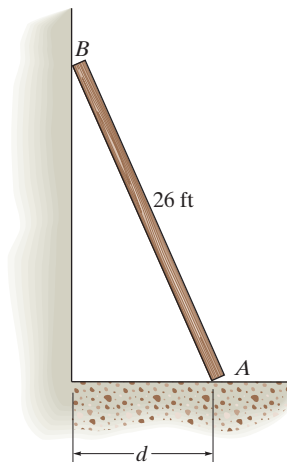
8-6. The 180-lb man climbs up the ladder and stops at the position shown after he senses that the ladder is on the verge of slipping. Determine the coefficient of static friction between the friction pad at A and ground if the inclination of the ladder is $\theta = 60^\circ$ and the wall at B is smooth. The center of gravity for the man is at G . Neglect the weight of the ladder.



Probs. 8-5/6

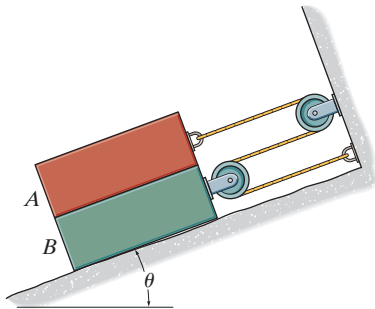
8-7. The uniform thin pole has a weight of 30 lb and a length of 26 ft. If it is placed against the smooth wall and on the rough floor in the position $d = 10$ ft, will it remain in this position when it is released? The coefficient of static friction is $\mu_s = 0.3$.

***8-8.** The uniform pole has a weight of 30 lb and a length of 26 ft. Determine the maximum distance d it can be placed from the smooth wall and not slip. The coefficient of static friction between the floor and the pole is $\mu_s = 0.3$.



Probs. 8-7/8

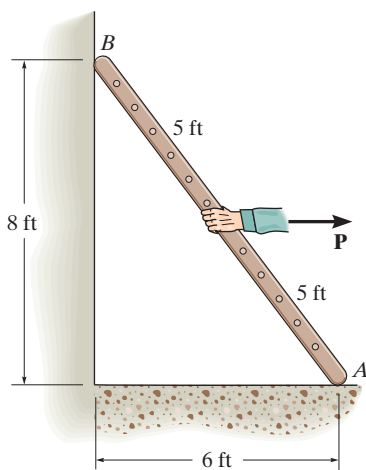
•8–9. If the coefficient of static friction at all contacting surfaces is μ_s , determine the inclination θ at which the identical blocks, each of weight W , begin to slide.



Prob. 8–9

8–10. The uniform 20-lb ladder rests on the rough floor for which the coefficient of static friction is $\mu_s = 0.8$ and against the smooth wall at B . Determine the horizontal force P the man must exert on the ladder in order to cause it to move.

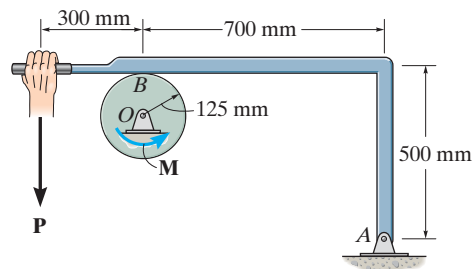
8–11. The uniform 20-lb ladder rests on the rough floor for which the coefficient of static friction is $\mu_s = 0.4$ and against the smooth wall at B . Determine the horizontal force P the man must exert on the ladder in order to cause it to move.



Probs. 8–10/11

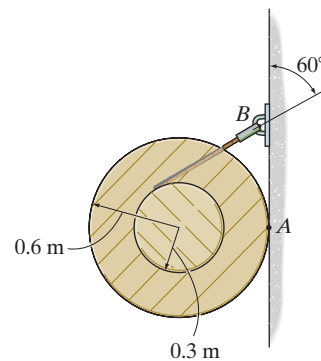
*8–12. The coefficients of static and kinetic friction between the drum and brake bar are $\mu_s = 0.4$ and $\mu_k = 0.3$, respectively. If $M = 50 \text{ N}\cdot\text{m}$ and $P = 85 \text{ N}$ determine the horizontal and vertical components of reaction at the pin O . Neglect the weight and thickness of the brake. The drum has a mass of 25 kg.

•8–13. The coefficient of static friction between the drum and brake bar is $\mu_s = 0.4$. If the moment $M = 35 \text{ N}\cdot\text{m}$, determine the smallest force P that needs to be applied to the brake bar in order to prevent the drum from rotating. Also determine the corresponding horizontal and vertical components of reaction at pin O . Neglect the weight and thickness of the brake bar. The drum has a mass of 25 kg.



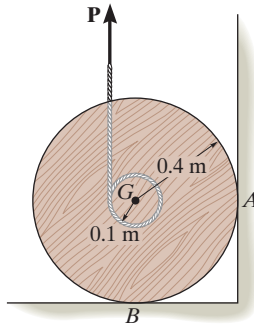
Probs. 8–12/13

8–14. Determine the minimum coefficient of static friction between the uniform 50-kg spool and the wall so that the spool does not slip.



Prob. 8–14

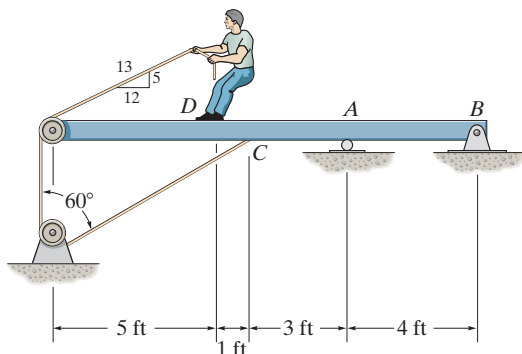
8–15. The spool has a mass of 200 kg and rests against the wall and on the floor. If the coefficient of static friction at B is $(\mu_s)_B = 0.3$, the coefficient of kinetic friction is $(\mu_k)_B = 0.2$, and the wall is smooth, determine the friction force developed at B when the vertical force applied to the cable is $P = 800$ N.



Prob. 8–15

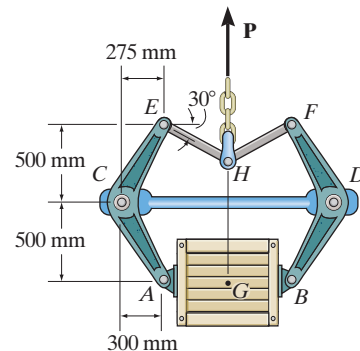
***8–16.** The 80-lb boy stands on the beam and pulls on the cord with a force large enough to just cause him to slip. If the coefficient of static friction between his shoes and the beam is $(\mu_s)_D = 0.4$, determine the reactions at A and B . The beam is uniform and has a weight of 100 lb. Neglect the size of the pulleys and the thickness of the beam.

•8–17. The 80-lb boy stands on the beam and pulls with a force of 40 lb. If $(\mu_s)_D = 0.4$, determine the frictional force between his shoes and the beam and the reactions at A and B . The beam is uniform and has a weight of 100 lb. Neglect the size of the pulleys and the thickness of the beam.



Probs. 8–16/17

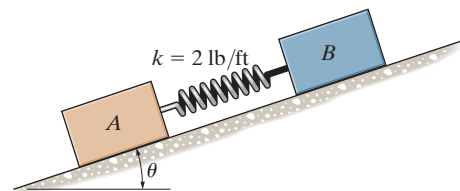
8–18. The tongs are used to lift the 150-kg crate, whose center of mass is at G . Determine the least coefficient of static friction at the pivot blocks so that the crate can be lifted.



Prob. 8–18

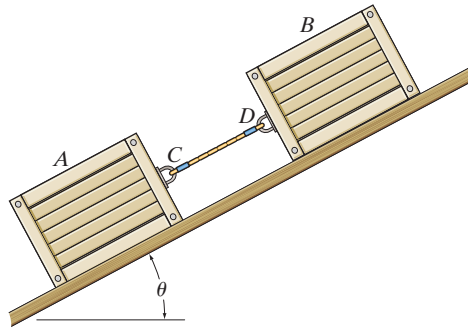
8–19. Two blocks A and B have a weight of 10 lb and 6 lb, respectively. They are resting on the incline for which the coefficients of static friction are $\mu_A = 0.15$ and $\mu_B = 0.25$. Determine the incline angle θ for which both blocks begin to slide. Also find the required stretch or compression in the connecting spring for this to occur. The spring has a stiffness of $k = 2$ lb/ft.

***8–20.** Two blocks A and B have a weight of 10 lb and 6 lb, respectively. They are resting on the incline for which the coefficients of static friction are $\mu_A = 0.15$ and $\mu_B = 0.25$. Determine the angle θ which will cause motion of one of the blocks. What is the friction force under each of the blocks when this occurs? The spring has a stiffness of $k = 2$ lb/ft and is originally unstretched.



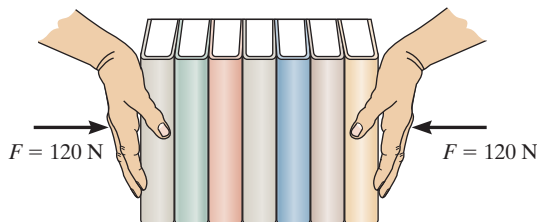
Probs. 8–19/20

•8–21. Crates A and B weigh 200 lb and 150 lb, respectively. They are connected together with a cable and placed on the inclined plane. If the angle θ is gradually increased, determine θ when the crates begin to slide. The coefficients of static friction between the crates and the plane are $\mu_A = 0.25$ and $\mu_B = 0.35$.



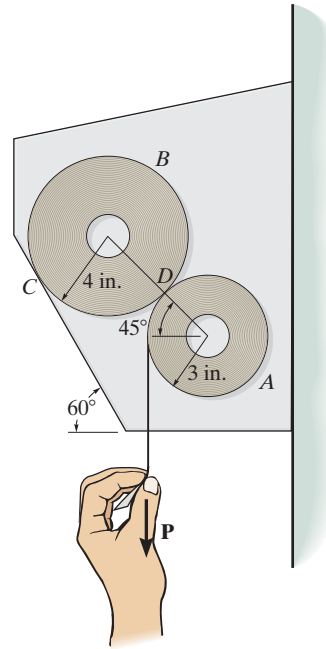
Prob. 8–21

8–22. A man attempts to support a stack of books horizontally by applying a compressive force of $F = 120$ N to the ends of the stack with his hands. If each book has a mass of 0.95 kg, determine the greatest number of books that can be supported in the stack. The coefficient of static friction between the man's hands and a book is $(\mu_s)_h = 0.6$ and between any two books $(\mu_s)_b = 0.4$.



Prob. 8–22

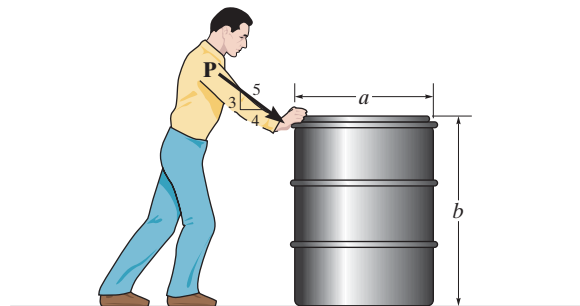
8–23. The paper towel dispenser carries two rolls of paper. The one in use is called the stub roll A and the other is the fresh roll B . They weigh 2 lb and 5 lb, respectively. If the coefficients of static friction at the points of contact C and D are $(\mu_s)_C = 0.2$ and $(\mu_s)_D = 0.5$, determine the initial vertical force P that must be applied to the paper on the stub roll in order to pull down a sheet. The stub roll is pinned in the center, whereas the fresh roll is not. Neglect friction at the pin.



Prob. 8–23

***8–24.** The drum has a weight of 100 lb and rests on the floor for which the coefficient of static friction is $\mu_s = 0.6$. If $a = 2$ ft and $b = 3$ ft, determine the smallest magnitude of the force P that will cause impending motion of the drum.

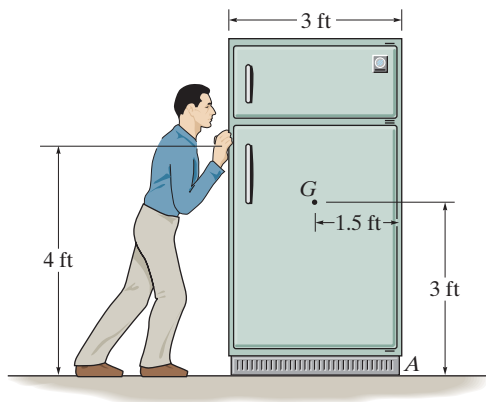
•8–25. The drum has a weight of 100 lb and rests on the floor for which the coefficient of static friction is $\mu_s = 0.5$. If $a = 3$ ft and $b = 4$ ft, determine the smallest magnitude of the force P that will cause impending motion of the drum.



Probs. 8–24/25

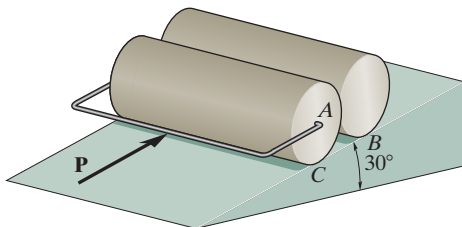
8–26. The refrigerator has a weight of 180 lb and rests on a tile floor for which $\mu_s = 0.25$. If the man pushes horizontally on the refrigerator in the direction shown, determine the smallest magnitude of horizontal force needed to move it. Also, if the man has a weight of 150 lb, determine the smallest coefficient of friction between his shoes and the floor so that he does not slip.

8–27. The refrigerator has a weight of 180 lb and rests on a tile floor for which $\mu_s = 0.25$. Also, the man has a weight of 150 lb and the coefficient of static friction between the floor and his shoes is $\mu_s = 0.6$. If he pushes horizontally on the refrigerator, determine if he can move it. If so, does the refrigerator slip or tip?



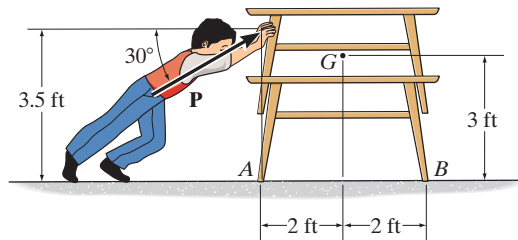
Probs. 8–26/27

***8–28.** Determine the minimum force P needed to push the two 75-kg cylinders up the incline. The force acts parallel to the plane and the coefficients of static friction of the contacting surfaces are $\mu_A = 0.3$, $\mu_B = 0.25$, and $\mu_C = 0.4$. Each cylinder has a radius of 150 mm.



Prob. 8–28

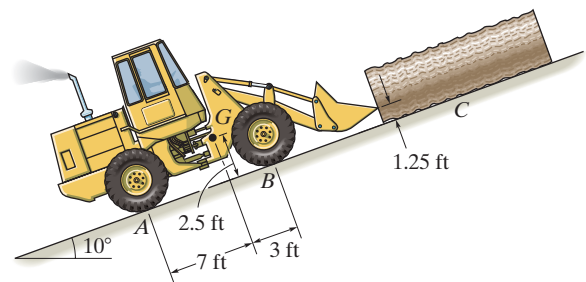
•8–29. If the center of gravity of the stacked tables is at G , and the stack weighs 100 lb, determine the smallest force P the boy must push on the stack in order to cause movement. The coefficient of static friction at A and B is $\mu_s = 0.3$. The tables are locked together.



Prob. 8–29

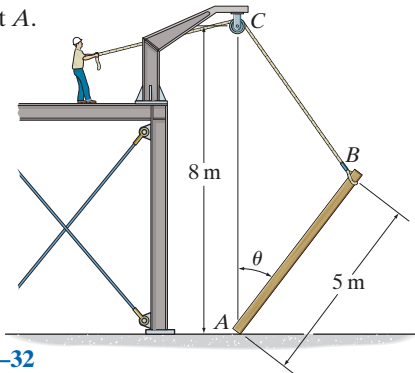
8–30. The tractor has a weight of 8000 lb with center of gravity at G . Determine if it can push the 550-lb log up the incline. The coefficient of static friction between the log and the ground is $\mu_s = 0.5$, and between the rear wheels of the tractor and the ground $\mu'_s = 0.8$. The front wheels are free to roll. Assume the engine can develop enough torque to cause the rear wheels to slip.

8–31. The tractor has a weight of 8000 lb with center of gravity at G . Determine the greatest weight of the log that can be pushed up the incline. The coefficient of static friction between the log and the ground is $\mu_s = 0.5$, and between the rear wheels of the tractor and the ground $\mu'_s = 0.7$. The front wheels are free to roll. Assume the engine can develop enough torque to cause the rear wheels to slip.



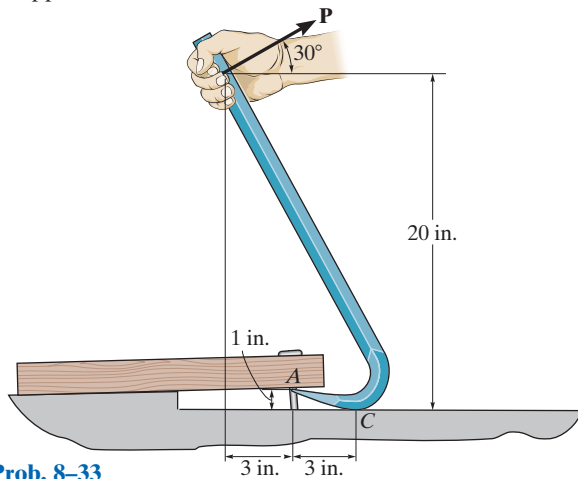
Probs. 8–30/31

***8-32.** The 50-kg uniform pole is on the verge of slipping at A when $\theta = 45^\circ$. Determine the coefficient of static friction at A .



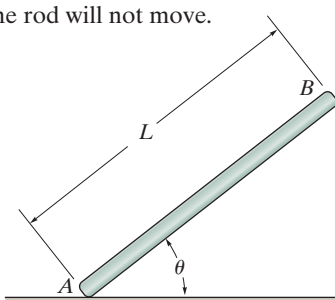
Prob. 8-32

•8-33. A force of $P = 20$ lb is applied perpendicular to the handle of the gooseneck wrecking bar as shown. If the coefficient of static friction between the bar and the wood is $\mu_s = 0.5$, determine the normal force of the tines at A on the upper board. Assume the surface at C is smooth.



Prob. 8-33

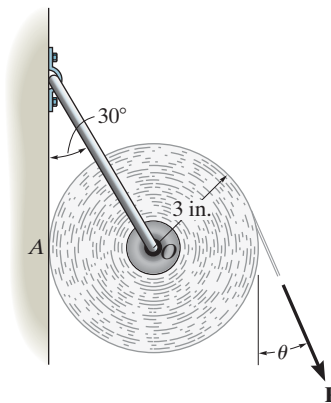
8-34. The thin rod has a weight W and rests against the floor and wall for which the coefficients of static friction are μ_A and μ_B , respectively. Determine the smallest value of θ for which the rod will not move.



Prob. 8-34

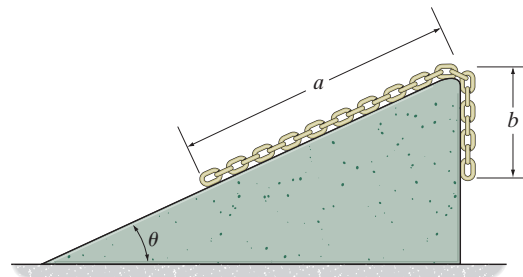
8-35. A roll of paper has a uniform weight of 0.75 lb and is suspended from the wire hanger so that it rests against the wall. If the hanger has a negligible weight and the bearing at O can be considered frictionless, determine the force P needed to start turning the roll if $\theta = 30^\circ$. The coefficient of static friction between the wall and the paper is $\mu_s = 0.25$.

***8-36.** A roll of paper has a uniform weight of 0.75 lb and is suspended from the wire hanger so that it rests against the wall. If the hanger has a negligible weight and the bearing at O can be considered frictionless, determine the minimum force P and the associated angle θ needed to start turning the roll. The coefficient of static friction between the wall and the paper is $\mu_s = 0.25$.



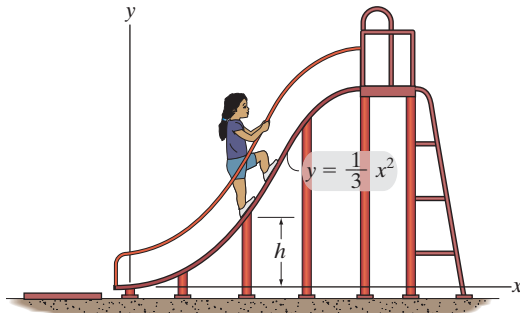
Probs. 8-35/36

•8-37. If the coefficient of static friction between the chain and the inclined plane is $\mu_s = \tan \theta$, determine the overhang length b so that the chain is on the verge of slipping up the plane. The chain weighs w per unit length.



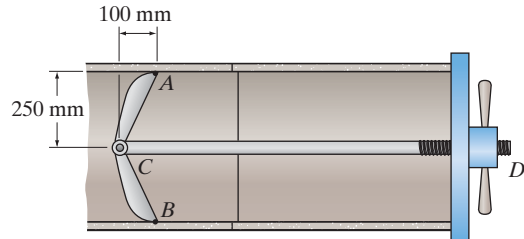
Prob. 8-37

8–38. Determine the maximum height h in meters to which the girl can walk up the slide without supporting herself by the rails or by her left leg. The coefficient of static friction between the girl's shoes and the slide is $\mu_s = 0.8$.



Prob. 8–38

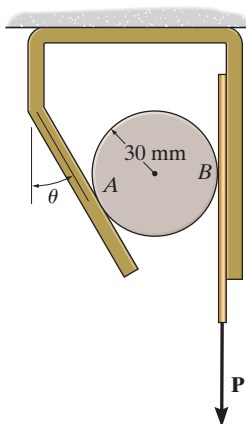
•8–41. The clamp is used to tighten the connection between two concrete drain pipes. Determine the least coefficient of static friction at A or B so that the clamp does not slip regardless of the force in the shaft CD .



Prob. 8–41

8–39. If the coefficient of static friction at B is $\mu_s = 0.3$, determine the largest angle θ and the minimum coefficient of static friction at A so that the roller remains self-locking, regardless of the magnitude of force \mathbf{P} applied to the belt. Neglect the weight of the roller and neglect friction between the belt and the vertical surface.

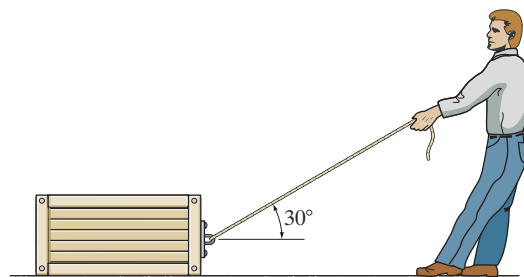
***8–40.** If $\theta = 30^\circ$, determine the minimum coefficient of static friction at A and B so that the roller remains self-locking, regardless of the magnitude of force \mathbf{P} applied to the belt. Neglect the weight of the roller and neglect friction between the belt and the vertical surface.



Probs. 8–39/40

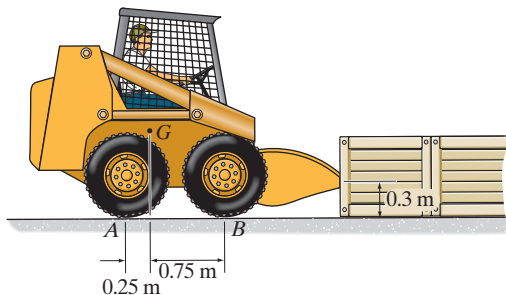
8–42. The coefficient of static friction between the 150-kg crate and the ground is $\mu_s = 0.3$, while the coefficient of static friction between the 80-kg man's shoes and the ground is $\mu'_s = 0.4$. Determine if the man can move the crate.

8–43. If the coefficient of static friction between the crate and the ground is $\mu_s = 0.3$, determine the minimum coefficient of static friction between the man's shoes and the ground so that the man can move the crate.



Probs. 8–42/43

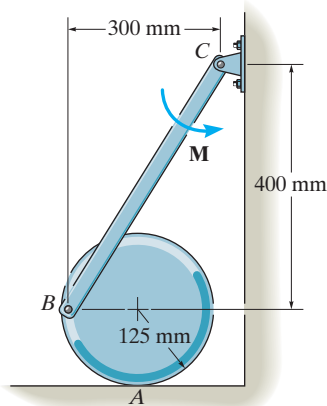
***8-44.** The 3-Mg rear-wheel-drive skid loader has a center of mass at G . Determine the largest number of crates that can be pushed by the loader if each crate has a mass of 500 kg. The coefficient of static friction between a crate and the ground is $\mu_s = 0.3$, and the coefficient of static friction between the rear wheels of the loader and the ground is $\mu'_s = 0.5$. The front wheels are free to roll. Assume that the engine of the loader is powerful enough to generate a torque that will cause the rear wheels to slip.



Prob. 8-44

•8-45. The 45-kg disk rests on the surface for which the coefficient of static friction is $\mu_A = 0.2$. Determine the largest couple moment M that can be applied to the bar without causing motion.

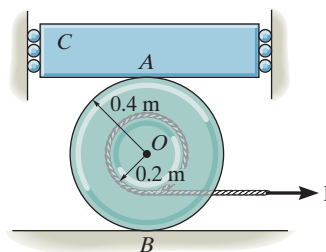
8-46. The 45-kg disk rests on the surface for which the coefficient of static friction is $\mu_A = 0.15$. If $M = 50 \text{ N} \cdot \text{m}$, determine the friction force at A .



Probs. 8-45/46

8-47. Block C has a mass of 50 kg and is confined between two walls by smooth rollers. If the block rests on top of the 40-kg spool, determine the minimum cable force P needed to move the spool. The cable is wrapped around the spool's inner core. The coefficients of static friction at A and B are $\mu_A = 0.3$ and $\mu_B = 0.6$.

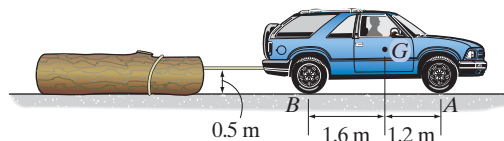
***8-48.** Block C has a mass of 50 kg and is confined between two walls by smooth rollers. If the block rests on top of the 40-kg spool, determine the required coefficients of static friction at A and B so that the spool slips at A and B when the magnitude of the applied force is increased to $P = 300 \text{ N}$.



Probs. 8-47/48

•8-49. The 3-Mg four-wheel-drive truck (SUV) has a center of mass at G . Determine the maximum mass of the log that can be towed by the truck. The coefficient of static friction between the log and the ground is $\mu_s = 0.8$, and the coefficient of static friction between the wheels of the truck and the ground is $\mu'_s = 0.4$. Assume that the engine of the truck is powerful enough to generate a torque that will cause all the wheels to slip.

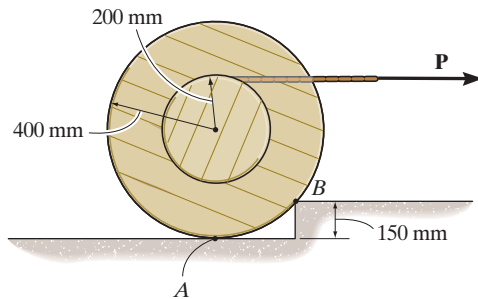
8-50. A 3-Mg front-wheel-drive truck (SUV) has a center of mass at G . Determine the maximum mass of the log that can be towed by the truck. The coefficient of static friction between the log and the ground is $\mu_s = 0.8$, and the coefficient of static friction between the front wheels of the truck and the ground is $\mu'_s = 0.4$. The rear wheels are free to roll. Assume that the engine of the truck is powerful enough to generate a torque that will cause the front wheels to slip.



Probs. 8-49/50

8-51. If the coefficients of static friction at contact points A and B are $\mu_s = 0.3$ and $\mu'_s = 0.4$ respectively, determine the smallest force P that will cause the 150-kg spool to have impending motion.

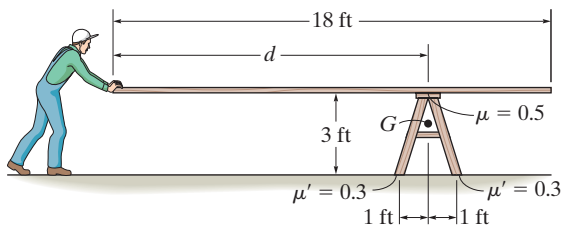
***8-52.** If the coefficients of static friction at contact points A and B are $\mu_s = 0.4$ and $\mu'_s = 0.2$ respectively, determine the smallest force P that will cause the 150-kg spool to have impending motion.



Probs. 8-51/52

•8-53. The carpenter slowly pushes the uniform board horizontally over the top of the saw horse. The board has a uniform weight of 3 lb/ft, and the saw horse has a weight of 15 lb and a center of gravity at G . Determine if the saw horse will stay in position, slip, or tip if the board is pushed forward when $d = 10$ ft. The coefficients of static friction are shown in the figure.

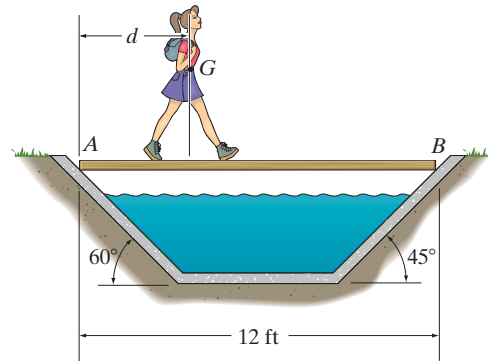
8-54. The carpenter slowly pushes the uniform board horizontally over the top of the saw horse. The board has a uniform weight of 3 lb/ft, and the saw horse has a weight of 15 lb and a center of gravity at G . Determine if the saw horse will stay in position, slip, or tip if the board is pushed forward when $d = 14$ ft. The coefficients of static friction are shown in the figure.



Probs. 8-53/54

8-55. If the 75-lb girl is at position $d = 4$ ft, determine the minimum coefficient of static friction μ_s at contact points A and B so that the plank does not slip. Neglect the weight of the plank.

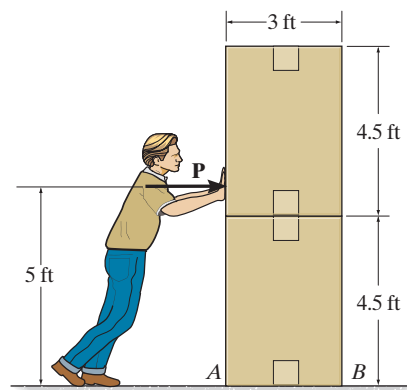
***8-56.** If the coefficient of static friction at the contact points A and B is $\mu_s = 0.4$, determine the minimum distance d where a 75-lb girl can stand on the plank without causing it to slip. Neglect the weight of the plank.



Probs. 8-55/56

•8-57. If each box weighs 150 lb, determine the least horizontal force P that the man must exert on the top box in order to cause motion. The coefficient of static friction between the boxes is $\mu_s = 0.5$, and the coefficient of static friction between the box and the floor is $\mu'_s = 0.2$.

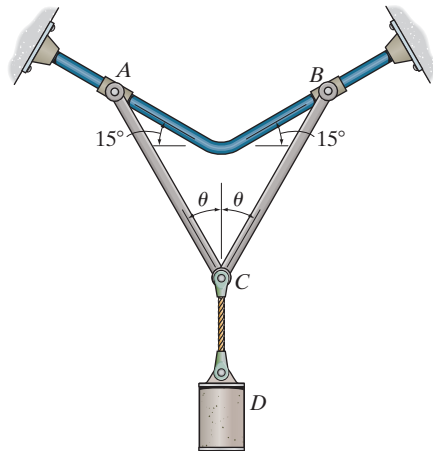
8-58. If each box weighs 150 lb, determine the least horizontal force P that the man must exert on the top box in order to cause motion. The coefficient of static friction between the boxes is $\mu_s = 0.65$, and the coefficient of static friction between the box and the floor is $\mu'_s = 0.35$.



Probs. 8-57/58

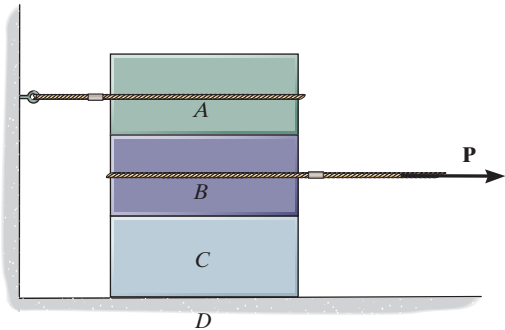
8-59. If the coefficient of static friction between the collars A and B and the rod is $\mu_s = 0.6$, determine the maximum angle θ for the system to remain in equilibrium, regardless of the weight of cylinder D . Links AC and BC have negligible weight and are connected together at C by a pin.

***8-60.** If $\theta = 15^\circ$, determine the minimum coefficient of static friction between the collars A and B and the rod required for the system to remain in equilibrium, regardless of the weight of cylinder D . Links AC and BC have negligible weight and are connected together at C by a pin.



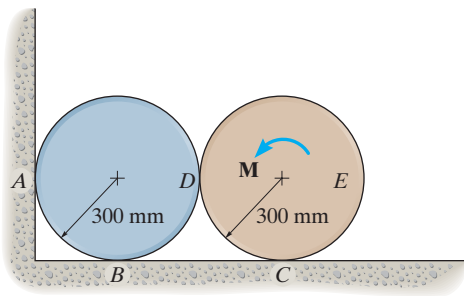
Probs. 8-59/60

8-62. Blocks A , B , and C have weights of 50 lb, 25 lb, and 15 lb, respectively. Determine the smallest horizontal force P that will cause impending motion. The coefficient of static friction between A and B is $\mu_s = 0.3$, between B and C , $\mu_s = 0.4$, and between block C and the ground, $\mu'_s = 0.35$.



Prob. 8-62

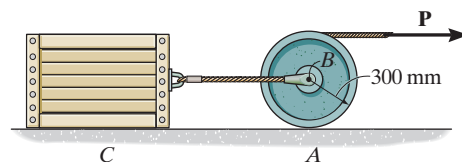
8-61. Each of the cylinders has a mass of 50 kg. If the coefficients of static friction at the points of contact are $\mu_A = 0.5$, $\mu_B = 0.5$, $\mu_C = 0.5$, and $\mu_D = 0.6$, determine the smallest couple moment M needed to rotate cylinder E .



Prob. 8-61

8-63. Determine the smallest force P that will cause impending motion. The crate and wheel have a mass of 50 kg and 25 kg, respectively. The coefficient of static friction between the crate and the ground is $\mu_s = 0.2$, and between the wheel and the ground $\mu'_s = 0.5$.

***8-64.** Determine the smallest force P that will cause impending motion. The crate and wheel have a mass of 50 kg and 25 kg, respectively. The coefficient of static friction between the crate and the ground is $\mu_s = 0.5$, and between the wheel and the ground $\mu'_s = 0.3$.



Probs. 8-63/64

CONCEPTUAL PROBLEMS

P8-1. Is it more effective to move the load forward at constant velocity with the boom fully extended as shown, or should the boom be fully retracted? Power is supplied to the rear wheels. The front wheels are free to roll. Do an equilibrium analysis to explain your answer.



P8-1

P8-2. The lug nut on the free-turning wheel is to be removed using the wrench. Which is the most effective way to apply force to the wrench? Also, why is it best to keep the car tire on the ground rather than first jacking it up? Explain your answers with an equilibrium analysis.



P8-2

P8-3. The rope is used to tow the refrigerator. Is it best to pull slightly up on the rope as shown, pull horizontally, or pull somewhat downwards? Also, is it best to attach the rope at a high position as shown, or at a lower position? Do an equilibrium analysis to explain your answer.

P8-4. The rope is used to tow the refrigerator. In order to prevent yourself from slipping while towing, is it best to pull up as shown, pull horizontally, or pull downwards on the rope? Do an equilibrium analysis to explain your answer.



P8-3/4

P8-5. Is it easier to tow the load by applying a force along the tow bar when it is in an almost horizontal position as shown, or is it better to pull on the bar when it has a steeper slope? Do an equilibrium analysis to explain your answer.



P8-5

8.3 Wedges



Wedges are often used to adjust the elevation of structural or mechanical parts. Also, they provide stability for objects such as this pipe.

A *wedge* is a simple machine that is often used to transform an applied force into much larger forces, directed at approximately right angles to the applied force. Wedges also can be used to slightly move or adjust heavy loads.

Consider, for example, the wedge shown in Fig. 8–12*a*, which is used to *lift* the block by applying a force to the wedge. Free-body diagrams of the block and wedge are shown in Fig. 8–12*b*. Here we have excluded the weight of the wedge since it is usually *small* compared to the weight \mathbf{W} of the block. Also, note that the frictional forces \mathbf{F}_1 and \mathbf{F}_2 must oppose the motion of the wedge. Likewise, the frictional force \mathbf{F}_3 of the wall on the block must act downward so as to oppose the block's upward motion. The locations of the resultant normal forces are not important in the force analysis since neither the block nor wedge will “tip.” Hence the moment equilibrium equations will not be considered. There are seven unknowns, consisting of the applied force \mathbf{P} , needed to cause motion of the wedge, and six normal and frictional forces. The seven available equations consist of four force equilibrium equations, $\Sigma F_x = 0$, $\Sigma F_y = 0$ applied to the wedge and block, and three frictional equations, $F = \mu N$, applied at the surface of contact.

If the block is to be *lowered*, then the frictional forces will all act in a sense opposite to that shown in Fig. 8–12*b*. Provided the coefficient of friction is very *small* or the wedge angle θ is *large*, then the applied force \mathbf{P} must act to the right to hold the block. Otherwise, \mathbf{P} may have a reverse sense of direction in order to *pull* on the wedge to remove it. If \mathbf{P} is *not applied* and friction forces hold the block in place, then the wedge is referred to as *self-locking*.

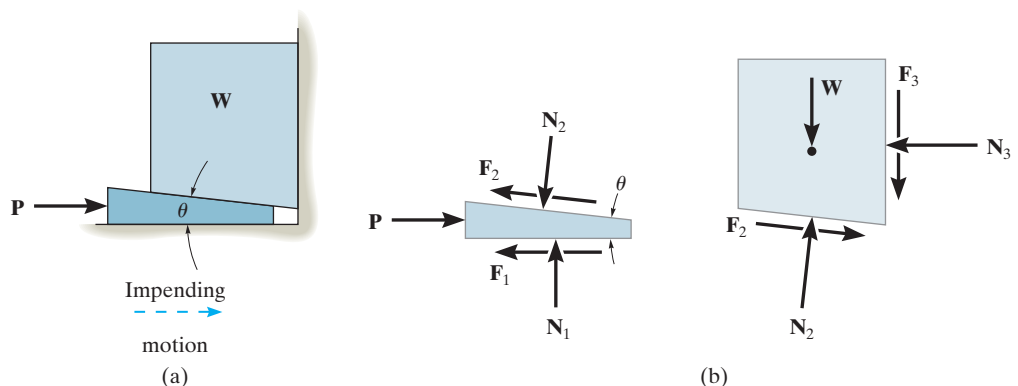


Fig. 8–12

EXAMPLE 8.6

The uniform stone in Fig. 8–13a has a mass of 500 kg and is held in the horizontal position using a wedge at B . If the coefficient of static friction is $\mu_s = 0.3$ at the surfaces of contact, determine the minimum force P needed to remove the wedge. Assume that the stone does not slip at A .

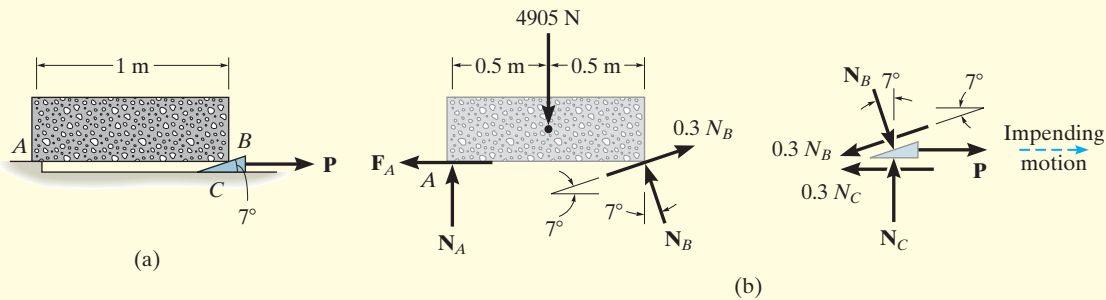


Fig. 8–13

SOLUTION

The minimum force P requires $F = \mu_s N$ at the surfaces of contact with the wedge. The free-body diagrams of the stone and wedge are shown in Fig. 8–13b. On the wedge the friction force opposes the impending motion, and on the stone at A , $F_A \leq \mu_s N_A$, since slipping does not occur there. There are five unknowns. Three equilibrium equations for the stone and two for the wedge are available for solution. From the free-body diagram of the stone,

$$\begin{aligned} \zeta + \Sigma M_A = 0; \quad & -4905 \text{ N}(0.5 \text{ m}) + (N_B \cos 7^\circ \text{ N})(1 \text{ m}) \\ & + (0.3N_B \sin 7^\circ \text{ N})(1 \text{ m}) = 0 \\ N_B = & 2383.1 \text{ N} \end{aligned}$$

Using this result for the wedge, we have

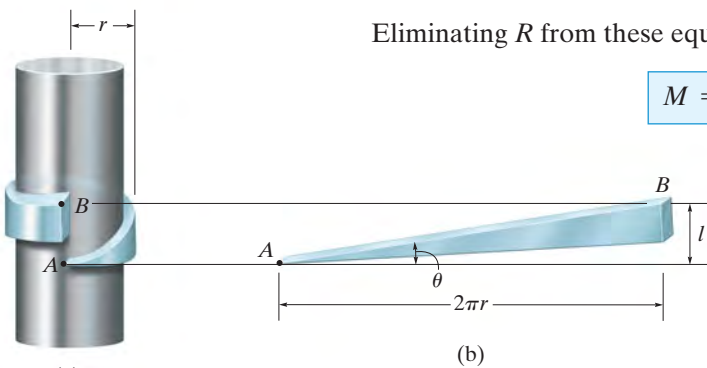
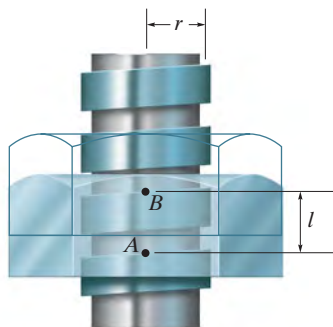
$$\begin{aligned} +\uparrow \Sigma F_y = 0; \quad & N_C - 2383.1 \cos 7^\circ \text{ N} - 0.3(2383.1 \sin 7^\circ \text{ N}) = 0 \\ N_C = & 2452.5 \text{ N} \end{aligned}$$

$$\begin{aligned} \rightarrow \Sigma F_x = 0; \quad & 2383.1 \sin 7^\circ \text{ N} - 0.3(2383.1 \cos 7^\circ \text{ N}) + \\ & P - 0.3(2452.5 \text{ N}) = 0 \\ P = & 1154.9 \text{ N} = 1.15 \text{ kN} \quad \text{Ans.} \end{aligned}$$

NOTE: Since P is positive, indeed the wedge must be pulled out. If P were zero, the wedge would remain in place (self-locking) and the frictional forces developed at B and C would satisfy $F_B < \mu_s N_B$ and $F_C < \mu_s N_C$.



Square-threaded screws find applications on valves, jacks, and vises, where particularly large forces must be developed along the axis of the screw.



(a)

(b)

Fig. 8–14

8.4 Frictional Forces on Screws

In most cases screws are used as fasteners; however, in many types of machines they are incorporated to transmit power or motion from one part of the machine to another. A *square-threaded screw* is commonly used for the latter purpose, especially when large forces are applied along its axis. In this section we will analyze the forces acting on square-threaded screws. The analysis of other types of screws, such as the V-thread, is based on these same principles.

For analysis, a square-threaded screw, as in Fig. 8–14, can be considered a cylinder having an inclined square ridge or *thread* wrapped around it. If we unwind the thread by one revolution, as shown in Fig. 8–14*b*, the slope or the *lead angle* θ is determined from $\theta = \tan^{-1}(l/2\pi r)$. Here l and $2\pi r$ are the vertical and horizontal distances between A and B , where r is the mean radius of the thread. The distance l is called the *lead* of the screw and it is equivalent to the distance the screw advances when it turns one revolution.

Upward Impending Motion. Let us now consider the case of a square-threaded screw that is subjected to upward impending motion caused by the applied torsional moment \mathbf{M} , Fig. 8–15.* A free-body diagram of the *entire unraveled thread* can be represented as a block as shown in Fig. 8–14*a*. The force \mathbf{W} is the vertical force acting on the thread or the axial force applied to the shaft, Fig. 8–15, and M/r is the resultant horizontal force produced by the couple moment M about the axis of the shaft. The reaction \mathbf{R} of the groove on the thread, has both frictional and normal components, where $F = \mu_s N$. The angle of static friction is $\phi_s = \tan^{-1}(F/N) = \tan^{-1}\mu_s$. Applying the force equations of equilibrium along the horizontal and vertical axes, we have

$$\rightarrow \Sigma F_x = 0; \quad M/r - R \sin(\phi_s + \theta) = 0$$

$$+\uparrow \Sigma F_y = 0; \quad R \cos(\phi_s + \theta) - W = 0$$

Eliminating R from these equations, we obtain

$$M = rW \tan(\phi_s + \theta) \quad (8-3)$$

*For applications, \mathbf{M} is developed by applying a horizontal force \mathbf{P} at a right angle to the end of a lever that would be fixed to the screw.

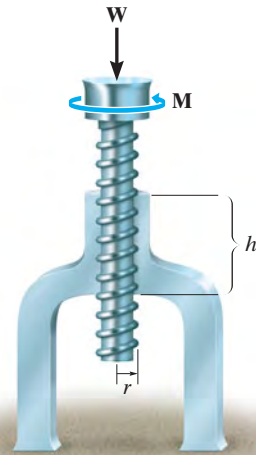


Fig. 8-15

Self-Locking Screw. A screw is said to be *self-locking* if it remains in place under any axial load \mathbf{W} when the moment \mathbf{M} is removed. For this to occur, the direction of the frictional force must be reversed so that \mathbf{R} acts on the other side of \mathbf{N} . Here the angle of static friction ϕ_s becomes greater than or equal to θ , Fig. 8-16*d*. If $\phi_s = \theta$, Fig. 8-16*b*, then \mathbf{R} will act vertically to balance \mathbf{W} , and the screw will be on the verge of winding downward.

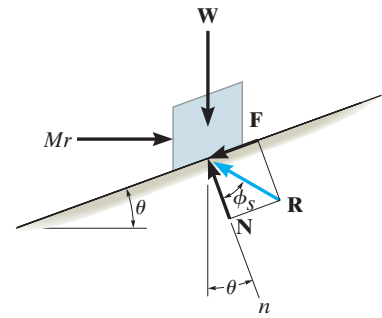
Downward Impending Motion. ($\phi_s > \theta$). If a screw is self-locking, a couple moment \mathbf{M}' must be applied to the screw in the opposite direction to wind the screw downward ($\phi_s > \theta$). This causes a reverse horizontal force M'/r that pushes the thread down as indicated in Fig. 8-16*c*. Using the same procedure as before, we obtain

$$M' = rW \tan(\theta - \phi_s) \quad (8-4)$$

Downward Impending Motion. ($\phi_s < \theta$). If the screw is not self-locking, it is necessary to apply a moment \mathbf{M}'' to prevent the screw from winding downward ($\phi_s < \theta$). Here, a horizontal force M''/r is required to push against the thread to prevent it from sliding down the plane, Fig. 8-16*d*. Thus, the magnitude of the moment \mathbf{M}'' required to prevent this unwinding is

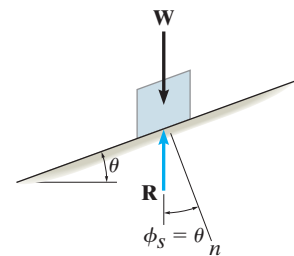
$$M'' = Wr \tan(\phi_s - \theta) \quad (8-5)$$

If motion of the screw occurs, Eqs. 8-3, 8-4, and 8-5 can be applied by simply replacing ϕ_s with ϕ_k .

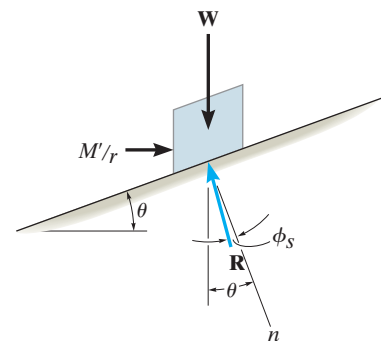


Upward screw motion

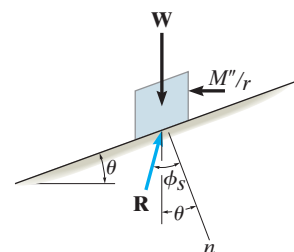
(a)

Self-locking screw ($\theta = \phi_s$)
(on the verge of rotating downward)

(b)

Downward screw motion ($\theta > \phi_s$)

(c)

Downward screw motion ($\theta < \phi_s$)

(d)

Fig. 8-16

EXAMPLE 8.7

The turnbuckle shown in Fig. 8–17 has a square thread with a mean radius of 5 mm and a lead of 2 mm. If the coefficient of static friction between the screw and the turnbuckle is $\mu_s = 0.25$, determine the moment M that must be applied to draw the end screws closer together.

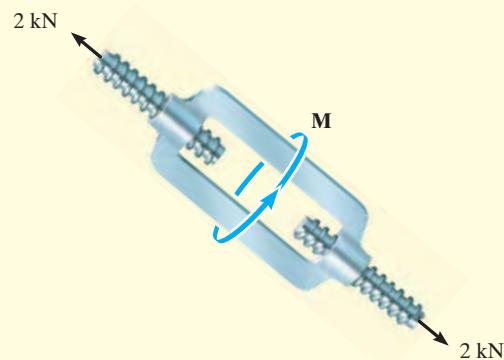


Fig. 8–17

SOLUTION

The moment can be obtained by applying Eq. 8–3. Since friction at *two screws* must be overcome, this requires

$$M = 2[W r \tan(\theta + \phi)] \quad (1)$$

Here $W = 2000 \text{ N}$, $r = 5 \text{ mm}$, $\phi_s = \tan^{-1} \mu_s = \tan^{-1}(0.25) = 14.04^\circ$, and $\theta = \tan^{-1}(l/2\pi r) = \tan^{-1}(2 \text{ mm}/[2\pi(5 \text{ mm})]) = 3.64^\circ$. Substituting these values into Eq. 1 and solving gives

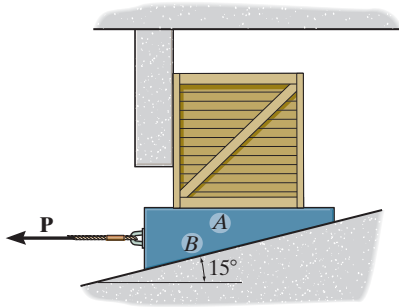
$$\begin{aligned} M &= 2[(2000 \text{ N})(5 \text{ mm}) \tan(14.04^\circ + 3.64^\circ)] \\ &= 6374.7 \text{ N} \cdot \text{mm} = 6.37 \text{ N} \cdot \text{m} \end{aligned}$$

Ans.

NOTE: When the moment is *removed*, the turnbuckle will be self-locking; i.e., it will not unscrew since $\phi_s > \theta$.

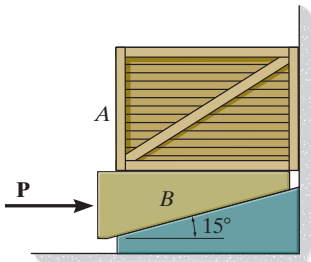
PROBLEMS

•8–65. Determine the smallest horizontal force P required to pull out wedge A . The crate has a weight of 300 lb and the coefficient of static friction at all contacting surfaces is $\mu_s = 0.3$. Neglect the weight of the wedge.



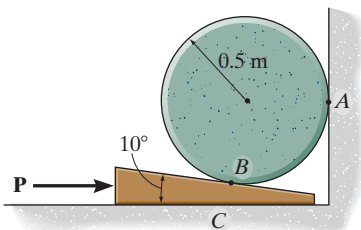
Prob. 8–65

8–66. Determine the smallest horizontal force P required to lift the 200-kg crate. The coefficient of static friction at all contacting surfaces is $\mu_s = 0.3$. Neglect the mass of the wedge.



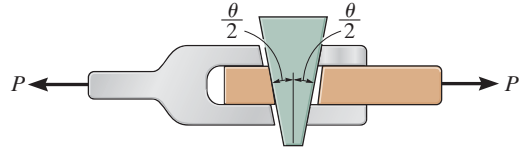
Prob. 8–66

8–67. Determine the smallest horizontal force P required to lift the 100-kg cylinder. The coefficients of static friction at the contact points A and B are $(\mu_s)_A = 0.6$ and $(\mu_s)_B = 0.2$, respectively; and the coefficient of static friction between the wedge and the ground is $\mu_s = 0.3$.



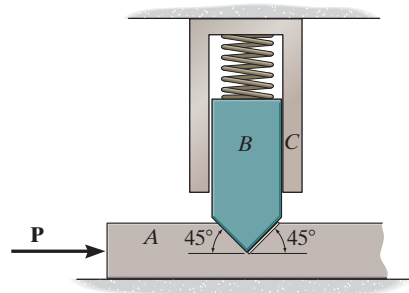
Prob. 8–67

***8–68.** The wedge has a negligible weight and a coefficient of static friction $\mu_s = 0.35$ with all contacting surfaces. Determine the largest angle θ so that it is “self-locking.” This requires no slipping for any magnitude of the force P applied to the joint.



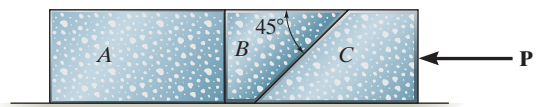
Prob. 8–68

•8–69. Determine the smallest horizontal force P required to just move block A to the right if the spring force is 600 N and the coefficient of static friction at all contacting surfaces on A is $\mu_s = 0.3$. The sleeve at C is smooth. Neglect the mass of A and B .



Prob. 8–69

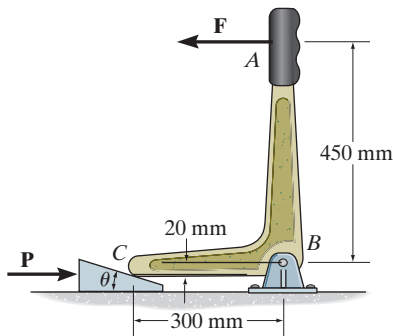
8–70. The three stone blocks have weights of $W_A = 600$ lb, $W_B = 150$ lb, and $W_C = 500$ lb. Determine the smallest horizontal force P that must be applied to block C in order to move this block. The coefficient of static friction between the blocks is $\mu_s = 0.3$, and between the floor and each block $\mu'_s = 0.5$.



Prob. 8–70

8-71. Determine the smallest horizontal force P required to move the wedge to the right. The coefficient of static friction at all contacting surfaces is $\mu_s = 0.3$. Set $\theta = 15^\circ$ and $F = 400$ N. Neglect the weight of the wedge.

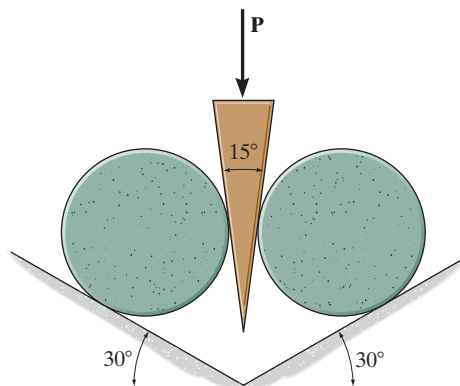
***8-72.** If the horizontal force P is removed, determine the largest angle θ that will cause the wedge to be self-locking regardless of the magnitude of force F applied to the handle. The coefficient of static friction at all contacting surfaces is $\mu_s = 0.3$.



Probs. 8-71/72

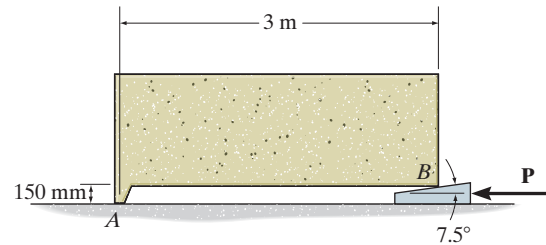
***8-73.** Determine the smallest vertical force P required to hold the wedge between the two identical cylinders, each having a weight of W . The coefficient of static friction at all contacting surfaces is $\mu_s = 0.1$.

8-74. Determine the smallest vertical force P required to push the wedge between the two identical cylinders, each having a weight of W . The coefficient of static friction at all contacting surfaces is $\mu_s = 0.3$.



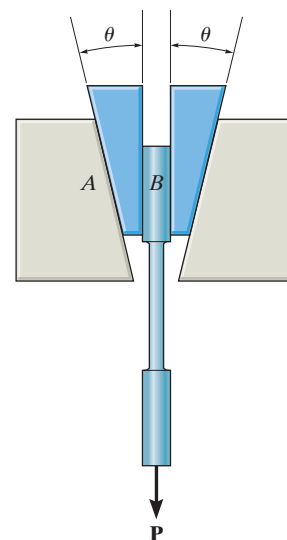
Probs. 8-73/74

8-75. If the uniform concrete block has a mass of 500 kg, determine the smallest horizontal force P needed to move the wedge to the left. The coefficient of static friction between the wedge and the concrete and the wedge and the floor is $\mu_s = 0.3$. The coefficient of static friction between the concrete and floor is $\mu'_s = 0.5$.



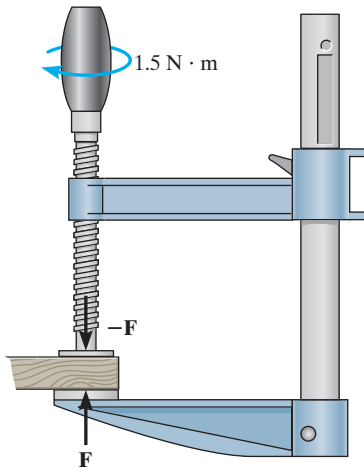
Prob. 8-75

***8-76.** The wedge blocks are used to hold the specimen in a tension testing machine. Determine the largest design angle θ of the wedges so that the specimen will not slip regardless of the applied load. The coefficients of static friction are $\mu_A = 0.1$ at A and $\mu_B = 0.6$ at B . Neglect the weight of the blocks.



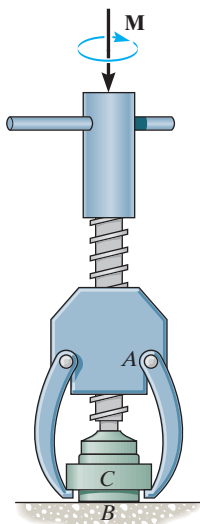
Prob. 8-76

- 8-77. The square threaded screw of the clamp has a mean diameter of 14 mm and a lead of 6 mm. If $\mu_s = 0.2$ for the threads, and the torque applied to the handle is $1.5 \text{ N} \cdot \text{m}$, determine the compressive force F on the block.



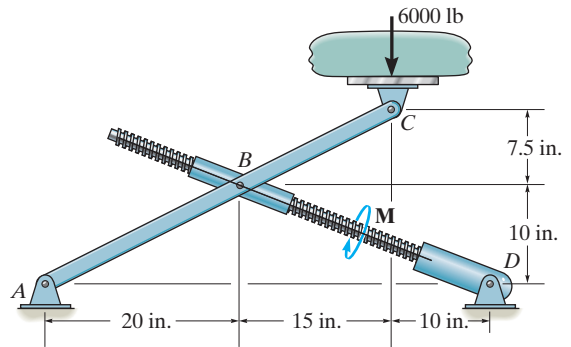
Prob. 8-77

- 8-78. The device is used to pull the battery cable terminal C from the post of a battery. If the required pulling force is 85 lb, determine the torque M that must be applied to the handle on the screw to tighten it. The screw has square threads, a mean diameter of 0.2 in., a lead of 0.08 in., and the coefficient of static friction is $\mu_s = 0.5$.



Prob. 8-78

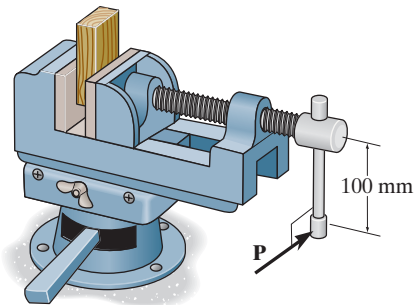
- 8-79. The jacking mechanism consists of a link that has a square-threaded screw with a mean diameter of 0.5 in. and a lead of 0.20 in., and the coefficient of static friction is $\mu_s = 0.4$. Determine the torque M that should be applied to the screw to start lifting the 6000-lb load acting at the end of member ABC .



Prob. 8-79

- *8-80. Determine the magnitude of the horizontal force P that must be applied to the handle of the bench vise in order to produce a clamping force of 600 N on the block. The single square-threaded screw has a mean diameter of 25 mm and a lead of 7.5 mm. The coefficient of static friction is $\mu_s = 0.25$.

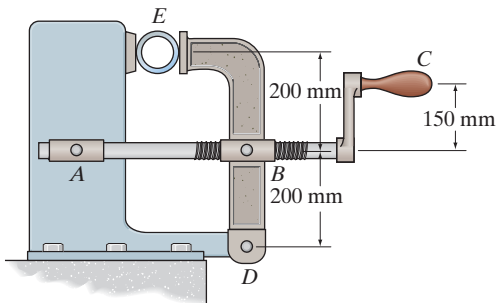
- 8-81. Determine the clamping force exerted on the block if a force of $P = 30 \text{ N}$ is applied to the lever of the bench vise. The single square-threaded screw has a mean diameter of 25 mm and a lead of 7.5 mm. The coefficient of static friction is $\mu_s = 0.25$.



Probs. 8-80/81

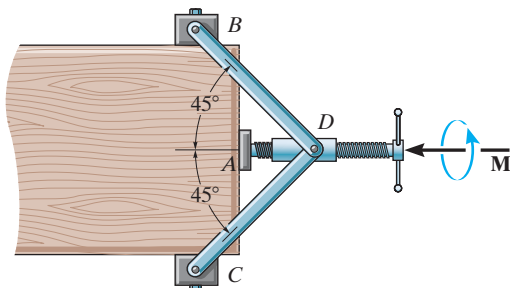
8-82. Determine the required horizontal force that must be applied perpendicular to the handle in order to develop a 900-N clamping force on the pipe. The single square-threaded screw has a mean diameter of 25 mm and a lead of 5 mm. The coefficient of static friction is $\mu_s = 0.4$. *Note:* The screw is a two-force member since it is contained within pinned collars at A and B .

8-83. If the clamping force on the pipe is 900 N, determine the horizontal force that must be applied perpendicular to the handle in order to loosen the screw. The single square-threaded screw has a mean diameter of 25 mm and a lead of 5 mm. The coefficient of static friction is $\mu_s = 0.4$. *Note:* The screw is a two-force member since it is contained within pinned collars at A and B .



Probs. 8-82/83

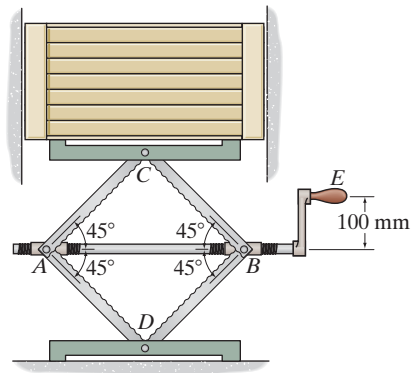
***8-84.** The clamp provides pressure from several directions on the edges of the board. If the square-threaded screw has a lead of 3 mm, mean radius of 10 mm, and the coefficient of static friction is $\mu_s = 0.4$, determine the horizontal force developed on the board at A and the vertical forces developed at B and C if a torque of $M = 1.5 \text{ N} \cdot \text{m}$ is applied to the handle to tighten it further. The blocks at B and C are pin connected to the board.



Prob. 8-84

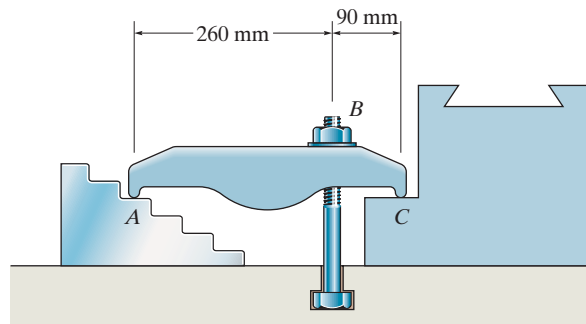
•8-85. If the jack supports the 200-kg crate, determine the horizontal force that must be applied perpendicular to the handle at E to lower the crate. Each single square-threaded screw has a mean diameter of 25 mm and a lead of 7.5 mm. The coefficient of static friction is $\mu_s = 0.25$.

8-86. If the jack is required to lift the 200-kg crate, determine the horizontal force that must be applied perpendicular to the handle at E . Each single square-threaded screw has a mean diameter of 25 mm and a lead of 7.5 mm. The coefficient of static friction is $\mu_s = 0.25$.



Probs. 8-85/86

8-87. The machine part is held in place using the double-end clamp. The bolt at B has square threads with a mean radius of 4 mm and a lead of 2 mm, and the coefficient of static friction with the nut is $\mu_s = 0.5$. If a torque of $M = 0.4 \text{ N} \cdot \text{m}$ is applied to the nut to tighten it, determine the normal force of the clamp at the smooth contacts A and C .



Prob. 8-87

8.5 Frictional Forces on Flat Belts

Whenever belt drives or band brakes are designed, it is necessary to determine the frictional forces developed between the belt and its contacting surface. In this section we will analyze the frictional forces acting on a flat belt, although the analysis of other types of belts, such as the V-belt, is based on similar principles.

Consider the flat belt shown in Fig. 8–18a, which passes over a fixed curved surface. The total angle of belt to surface contact in radians is β , and the coefficient of friction between the two surfaces is μ . We wish to determine the tension T_2 in the belt, which is needed to pull the belt counterclockwise over the surface, and thereby overcome both the frictional forces at the surface of contact and the tension T_1 in the other end of the belt. Obviously, $T_2 > T_1$.

Frictional Analysis. A free-body diagram of the belt segment in contact with the surface is shown in Fig. 8–18b. As shown, the normal and frictional forces, acting at different points along the belt, will vary both in magnitude and direction. Due to this *unknown* distribution, the analysis of the problem will first require a study of the forces acting on a differential element of the belt.

A free-body diagram of an element having a length ds is shown in Fig. 8–18c. Assuming either impending motion or motion of the belt, the magnitude of the frictional force $dF = \mu dN$. This force opposes the sliding motion of the belt, and so it will increase the magnitude of the tensile force acting in the belt by dT . Applying the two force equations of equilibrium, we have

$$\downarrow + \Sigma F_x = 0; \quad T \cos\left(\frac{d\theta}{2}\right) + \mu dN - (T + dT) \cos\left(\frac{d\theta}{2}\right) = 0$$

$$+ \nearrow \Sigma F_y = 0; \quad dN - (T + dT) \sin\left(\frac{d\theta}{2}\right) - T \sin\left(\frac{d\theta}{2}\right) = 0$$

Since $d\theta$ is of *infinitesimal size*, $\sin(d\theta/2) = d\theta/2$ and $\cos(d\theta/2) = 1$. Also, the *product* of the two infinitesimals dT and $d\theta/2$ may be neglected when compared to infinitesimals of the first order. As a result, these two equations become

$$\mu dN = dT$$

and

$$dN = T d\theta$$

Eliminating dN yields

$$\frac{dT}{T} = \mu d\theta$$

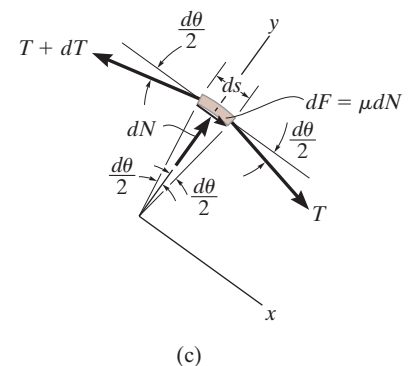
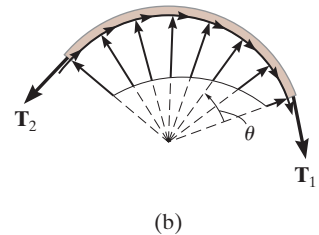
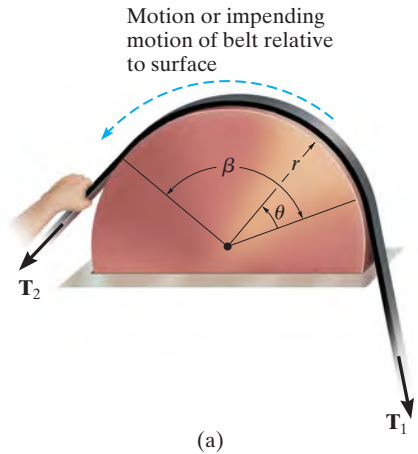
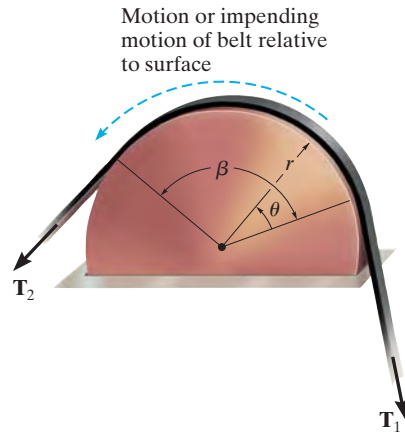


Fig. 8–18



Flat or V-belts are often used to transmit the torque developed by a motor to a wheel attached to a pump, fan or blower.

Integrating this equation between all the points of contact that the belt makes with the drum, and noting that $T = T_1$ at $\theta = 0$ and $T = T_2$ at $\theta = \beta$, yields

$$\int_{T_1}^{T_2} \frac{dT}{T} = \mu \int_0^\beta d\theta$$

$$\ln \frac{T_2}{T_1} = \mu\beta$$

Solving for T_2 , we obtain

$$T_2 = T_1 e^{\mu\beta} \quad (8-6)$$

where

T_2, T_1 = belt tensions; T_1 opposes the direction of motion (or impending motion) of the belt measured relative to the surface, while T_2 acts in the direction of the relative belt motion (or impending motion); because of friction, $T_2 > T_1$

μ = coefficient of static or kinetic friction between the belt and the surface of contact

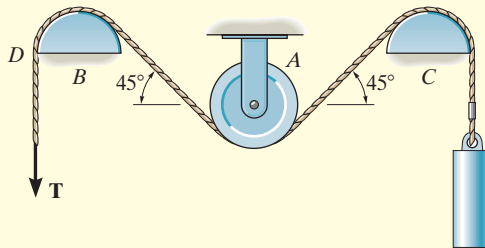
β = angle of belt to surface contact, measured in radians

$e = 2.718\dots$, base of the natural logarithm

Note that T_2 is *independent* of the *radius* of the drum, and instead it is a function of the angle of belt to surface contact, β . As a result, this equation is valid for flat belts passing over any curved contacting surface.

EXAMPLE 8.8

The maximum tension that can be developed in the cord shown in Fig. 8–19a is 500 N. If the pulley at A is free to rotate and the coefficient of static friction at the fixed drums B and C is $\mu_s = 0.25$, determine the largest mass of the cylinder that can be lifted by the cord.



(a)

SOLUTION

Lifting the cylinder, which has a weight $W = mg$, causes the cord to move counterclockwise over the drums at B and C ; hence, the maximum tension T_2 in the cord occurs at D . Thus, $F = T_2 = 500$ N. A section of the cord passing over the drum at B is shown in Fig. 8–19b. Since $180^\circ = \pi$ rad the angle of contact between the drum and the cord is $\beta = (135^\circ/180^\circ)\pi = 3\pi/4$ rad. Using Eq. 8–6, we have

$$T_2 = T_1 e^{\mu_s \beta}; \quad 500 \text{ N} = T_1 e^{0.25[(3/4)\pi]}$$

Hence,

$$T_1 = \frac{500 \text{ N}}{e^{0.25[(3/4)\pi]}} = \frac{500 \text{ N}}{1.80} = 277.4 \text{ N}$$

Since the pulley at A is free to rotate, equilibrium requires that the tension in the cord remains the *same* on both sides of the pulley.

The section of the cord passing over the drum at C is shown in Fig. 8–19c. The weight $W < 277.4$ N. Why? Applying Eq. 8–6, we obtain

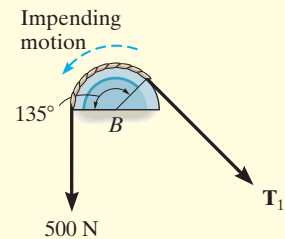
$$T_2 = T_1 e^{\mu_s \beta}; \quad 277.4 \text{ N} = W e^{0.25[(3/4)\pi]}$$

$$W = 153.9 \text{ N}$$

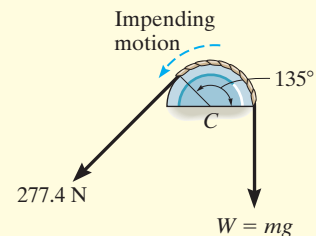
so that

$$\begin{aligned} m &= \frac{W}{g} = \frac{153.9 \text{ N}}{9.81 \text{ m/s}^2} \\ &= 15.7 \text{ kg} \end{aligned}$$

Ans.



(b)



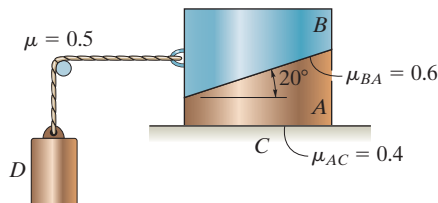
(c)

Fig. 8–19

PROBLEMS

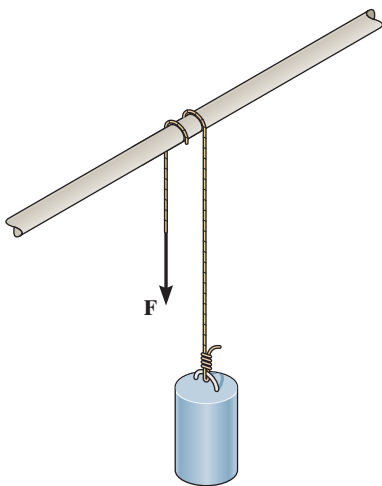
***8–88.** Blocks A and B weigh 50 lb and 30 lb, respectively. Using the coefficients of static friction indicated, determine the greatest weight of block D without causing motion.

•8–89. Blocks A and B weigh 75 lb each, and D weighs 30 lb. Using the coefficients of static friction indicated, determine the frictional force between blocks A and B and between block A and the floor C .



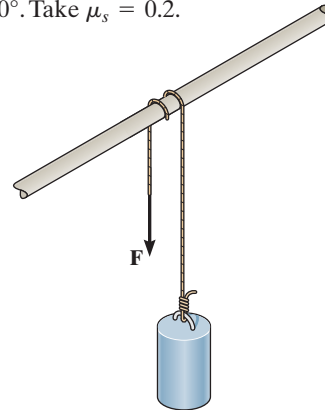
Probs. 8–88/89

8–90. A cylinder having a mass of 250 kg is to be supported by the cord which wraps over the pipe. Determine the smallest vertical force F needed to support the load if the cord passes (a) once over the pipe, $\beta = 180^\circ$, and (b) two times over the pipe, $\beta = 540^\circ$. Take $\mu_s = 0.2$.



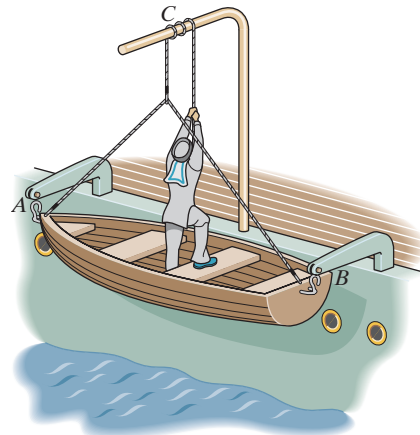
Prob. 8–90

8–91. A cylinder having a mass of 250 kg is to be supported by the cord which wraps over the pipe. Determine the largest vertical force F that can be applied to the cord without moving the cylinder. The cord passes (a) once over the pipe, $\beta = 180^\circ$, and (b) two times over the pipe, $\beta = 540^\circ$. Take $\mu_s = 0.2$.



Prob. 8–91

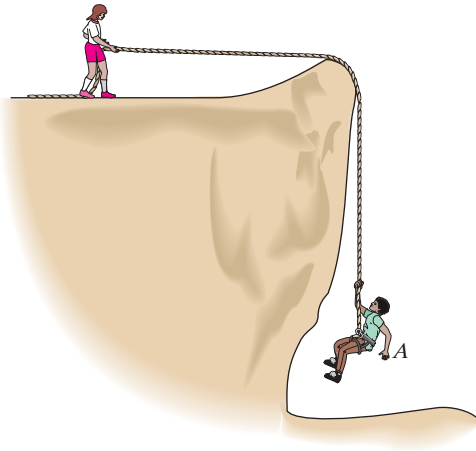
***8–92.** The boat has a weight of 500 lb and is held in position off the side of a ship by the spars at A and B . A man having a weight of 130 lb gets in the boat, wraps a rope around an overhead boom at C , and ties it to the end of the boat as shown. If the boat is disconnected from the spars, determine the *minimum number of half turns* the rope must make around the boom so that the boat can be safely lowered into the water at constant velocity. Also, what is the normal force between the boat and the man? The coefficient of kinetic friction between the rope and the boom is $\mu_s = 0.15$. *Hint:* The problem requires that the normal force between the man's feet and the boat be as small as possible.



Prob. 8–92

•8–93. The 100-lb boy at A is suspended from the cable that passes over the quarter circular cliff rock. Determine if it is possible for the 185-lb woman to hoist him up; and if this is possible, what smallest force must she exert on the horizontal cable? The coefficient of static friction between the cable and the rock is $\mu_s = 0.2$, and between the shoes of the woman and the ground $\mu'_s = 0.8$.

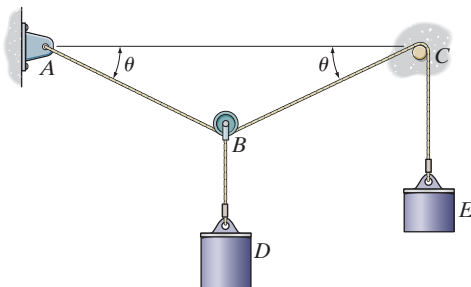
8–94. The 100-lb boy at A is suspended from the cable that passes over the quarter circular cliff rock. What horizontal force must the woman at A exert on the cable in order to let the boy descend at constant velocity? The coefficients of static and kinetic friction between the cable and the rock are $\mu_s = 0.4$ and $\mu_k = 0.35$, respectively.



Probs. 8–93/94

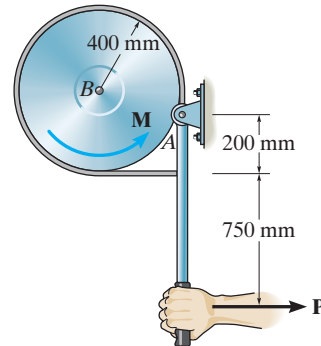
8–95. A 10-kg cylinder D , which is attached to a small pulley B , is placed on the cord as shown. Determine the smallest angle θ so that the cord does not slip over the peg at C . The cylinder at E has a mass of 10 kg, and the coefficient of static friction between the cord and the peg is $\mu_s = 0.1$.

*8–96. A 10-kg cylinder D , which is attached to a small pulley B , is placed on the cord as shown. Determine the largest angle θ so that the cord does not slip over the peg at C . The cylinder at E has a mass of 10 kg, and the coefficient of static friction between the cord and the peg is $\mu_s = 0.1$.



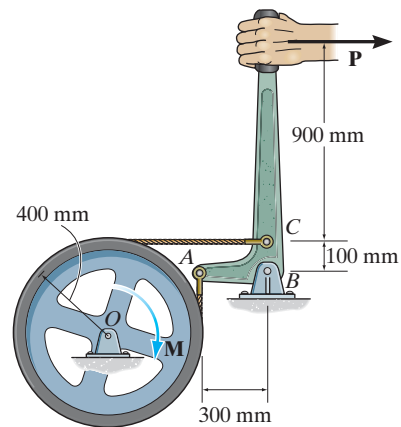
Probs. 8–95/96

•8–97. Determine the smallest lever force P needed to prevent the wheel from rotating if it is subjected to a torque of $M = 250 \text{ N}\cdot\text{m}$. The coefficient of static friction between the belt and the wheel is $\mu_s = 0.3$. The wheel is pin connected at its center, B .



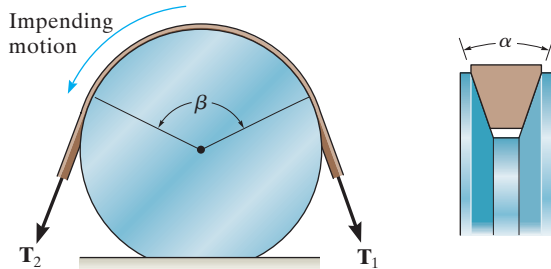
Prob. 8–97

8–98. If a force of $P = 200 \text{ N}$ is applied to the handle of the bell crank, determine the maximum torque M that can be resisted so that the flywheel is not on the verge of rotating clockwise. The coefficient of static friction between the brake band and the rim of the wheel is $\mu_s = 0.3$.



Prob. 8–98

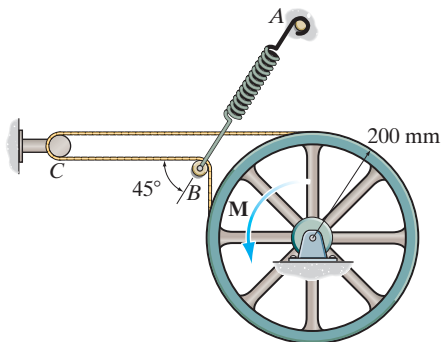
8-99. Show that the frictional relationship between the belt tensions, the coefficient of friction μ , and the angular contacts α and β for the V-belt is $T_2 = T_1 e^{\mu\beta/\sin(\alpha/2)}$.



Prob. 8-99

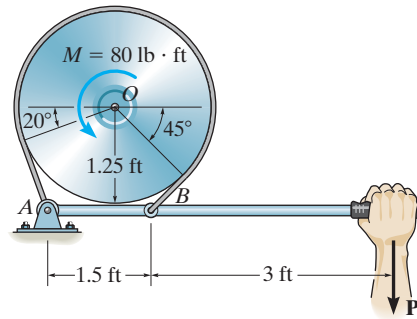
***8-100.** Determine the force developed in spring AB in order to hold the wheel from rotating when it is subjected to a couple moment of $M = 200 \text{ N} \cdot \text{m}$. The coefficient of static friction between the belt and the rim of the wheel is $\mu_s = 0.2$, and between the belt and peg C , $\mu'_s = 0.4$. The pulley at B is free to rotate.

***8-101.** If the tension in the spring is $F_{AB} = 2.5 \text{ kN}$, determine the largest couple moment that can be applied to the wheel without causing it to rotate. The coefficient of static friction between the belt and the wheel is $\mu_s = 0.2$, and between the belt the peg $\mu'_s = 0.4$. The pulley B free to rotate.



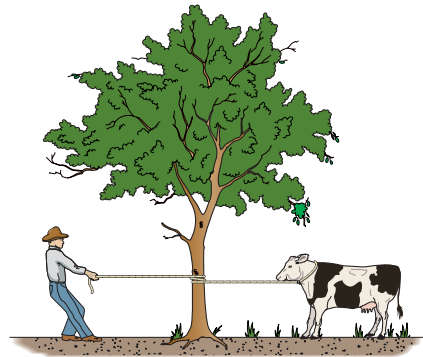
Probs. 8-100/101

8-102. The simple band brake is constructed so that the ends of the friction strap are connected to the pin at A and the lever arm at B . If the wheel is subjected to a torque of $M = 80 \text{ lb} \cdot \text{ft}$, determine the smallest force P applied to the lever that is required to hold the wheel stationary. The coefficient of static friction between the strap and wheel is $\mu_s = 0.5$.



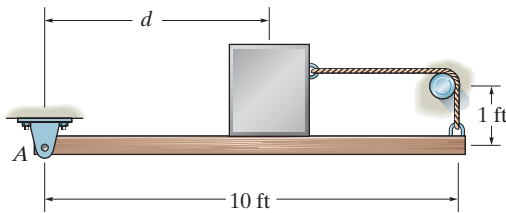
Prob. 8-102

8-103. A 180-lb farmer tries to restrain the cow from escaping by wrapping the rope two turns around the tree trunk as shown. If the cow exerts a force of 250 lb on the rope, determine if the farmer can successfully restrain the cow. The coefficient of static friction between the rope and the tree trunk is $\mu_s = 0.15$, and between the farmer's shoes and the ground $\mu'_s = 0.3$.



Prob. 8-103

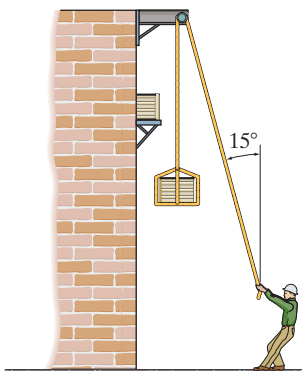
***8-104.** The uniform 50-lb beam is supported by the rope which is attached to the end of the beam, wraps over the rough peg, and is then connected to the 100-lb block. If the coefficient of static friction between the beam and the block, and between the rope and the peg, is $\mu_s = 0.4$, determine the maximum distance that the block can be placed from A and still remain in equilibrium. Assume the block will not tip.



Prob. 8-104

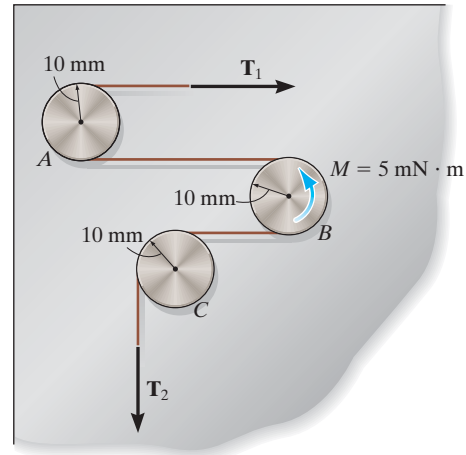
•8-105. The 80-kg man tries to lower the 150-kg crate using a rope that passes over the rough peg. Determine the least number of full turns in addition to the basic wrap (165°) around the peg to do the job. The coefficients of static friction between the rope and the peg and between the man's shoes and the ground are $\mu_s = 0.1$ and $\mu'_s = 0.4$, respectively.

8-106. If the rope wraps three full turns plus the basic wrap (165°) around the peg, determine if the 80-kg man can keep the 300-kg crate from moving. The coefficients of static friction between the rope and the peg and between the man's shoes and the ground are $\mu_s = 0.1$ and $\mu'_s = 0.4$, respectively.



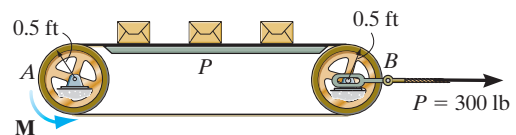
Probs. 8-105/106

8-107. The drive pulley B in a video tape recorder is on the verge of slipping when it is subjected to a torque of $M = 0.005 \text{ N} \cdot \text{m}$. If the coefficient of static friction between the tape and the drive wheel and between the tape and the fixed shafts A and C is $\mu_s = 0.1$, determine the tensions T_1 and T_2 developed in the tape for equilibrium.



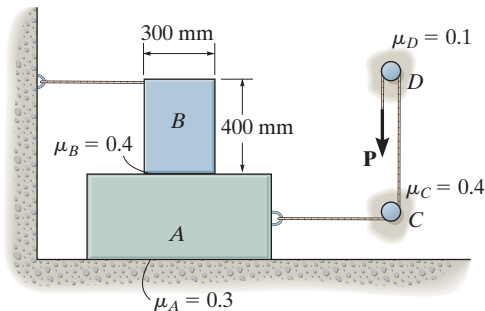
Prob. 8-107

***8-108.** Determine the maximum number of 50-lb packages that can be placed on the belt without causing the belt to slip at the drive wheel A which is rotating with a constant angular velocity. Wheel B is free to rotate. Also, find the corresponding torsional moment M that must be supplied to wheel A . The conveyor belt is pre-tensioned with the 300-lb horizontal force. The coefficient of kinetic friction between the belt and platform P is $\mu_k = 0.2$, and the coefficient of static friction between the belt and the rim of each wheel is $\mu_s = 0.35$.



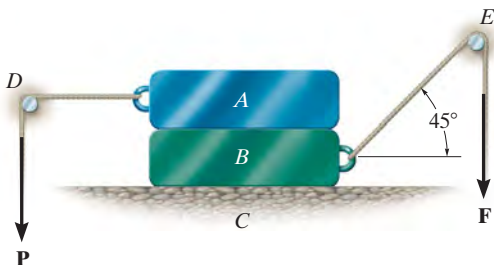
Prob. 8-108

8–109. Blocks A and B have a mass of 7 kg and 10 kg, respectively. Using the coefficients of static friction indicated, determine the largest vertical force P which can be applied to the cord without causing motion.



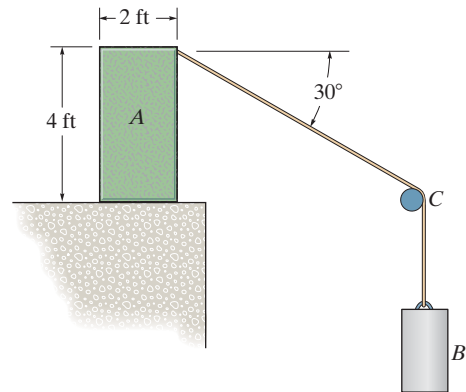
Prob. 8–109

8–110. Blocks A and B have a mass of 100 kg and 150 kg, respectively. If the coefficient of static friction between A and B and between B and C is $\mu_s = 0.25$, and between the ropes and the pegs D and E $\mu'_s = 0.5$, determine the smallest force F needed to cause motion of block B if $P = 30$ N.



Prob. 8–110

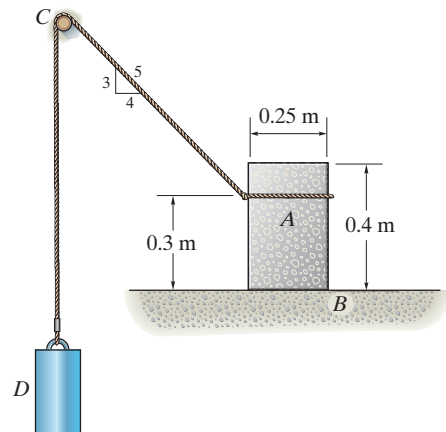
8–111. Block A has a weight of 100 lb and rests on a surface for which $\mu_s = 0.25$. If the coefficient of static friction between the cord and the fixed peg at C is $\mu_s = 0.3$, determine the greatest weight of the suspended cylinder B without causing motion.



Prob. 8–111

***8–112.** Block A has a mass of 50 kg and rests on surface B for which $\mu_s = 0.25$. If the coefficient of static friction between the cord and the fixed peg at C is $\mu'_s = 0.3$, determine the greatest mass of the suspended cylinder D without causing motion.

8–113. Block A has a mass of 50 kg and rests on surface B for which $\mu_s = 0.25$. If the mass of the suspended cylinder D is 4 kg, determine the frictional force acting on A and check if motion occurs. The coefficient of static friction between the cord and the fixed peg at C is $\mu'_s = 0.3$.



Probs. 8–112/113

*8.6 Frictional Forces on Collar Bearings, Pivot Bearings, and Disks

Pivot and collar bearings are commonly used in machines to support an axial load on a rotating shaft. Typical examples are shown in Fig. 8–20. Provided these bearings are not lubricated, or are only partially lubricated, the laws of dry friction may be applied to determine the moment needed to turn the shaft when it supports an axial force.

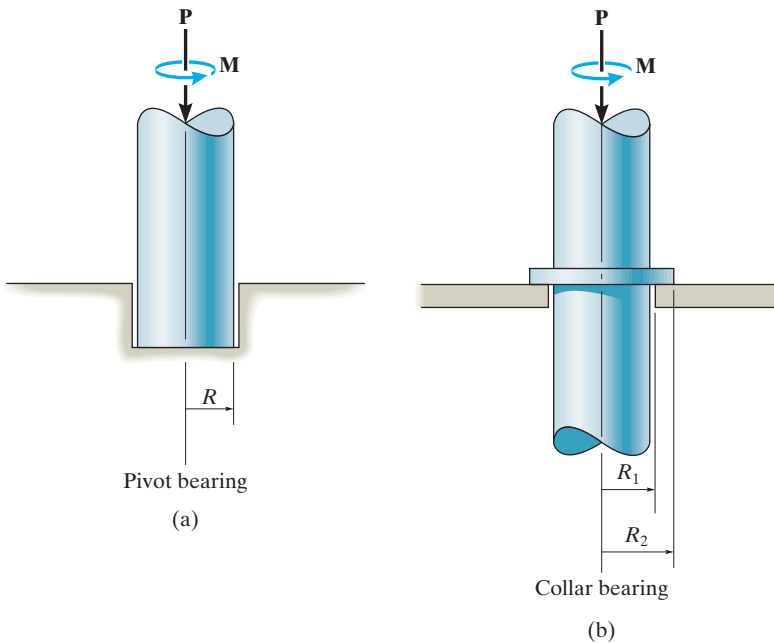


Fig. 8–20

Frictional Analysis. The collar bearing on the shaft shown in Fig. 8–21 is subjected to an axial force \mathbf{P} and has a total bearing or contact area $\pi(R_2^2 - R_1^2)$. Provided the bearing is new and evenly supported, then the normal pressure p on the bearing will be *uniformly distributed* over this area. Since $\Sigma F_z = 0$, then p , measured as a force per unit area, is $p = P/\pi(R_2^2 - R_1^2)$.

The moment needed to cause impending rotation of the shaft can be determined from moment equilibrium about the z axis. A differential area element $dA = (r d\theta)(dr)$, shown in Fig. 8–21, is subjected to both a normal force $dN = p dA$ and an associated frictional force,

$$dF = \mu_s dN = \mu_s p dA = \frac{\mu_s P}{\pi(R_2^2 - R_1^2)} dA$$

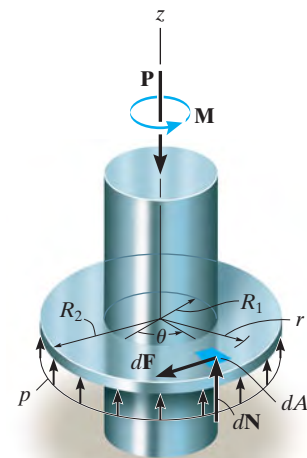


Fig. 8–21

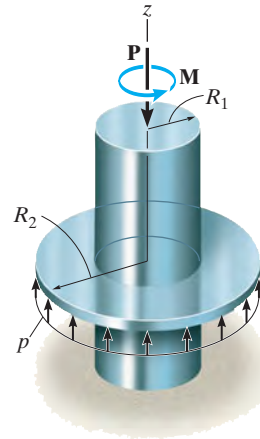


Fig. 8-21 (Repeated)

The normal force does not create a moment about the z axis of the shaft; however, the frictional force does; namely, $dM = r dF$. Integration is needed to compute the applied moment \mathbf{M} needed to overcome all the frictional forces. Therefore, for impending rotational motion,

$$\Sigma M_z = 0; \quad M - \int_A r dF = 0$$

Substituting for dF and dA and integrating over the entire bearing area yields

$$M = \int_{R_1}^{R_2} \int_0^{2\pi} r \left[\frac{\mu_s P}{\pi(R_2^2 - R_1^2)} \right] (r d\theta dr) = \frac{\mu_s P}{\pi(R_2^2 - R_1^2)} \int_{R_1}^{R_2} r^2 dr \int_0^{2\pi} d\theta$$

or

$$M = \frac{2}{3} \mu_s P \left(\frac{R_2^3 - R_1^3}{R_2^2 - R_1^2} \right) \quad (8-7)$$

The moment developed at the end of the shaft, when it is *rotating* at constant speed, can be found by substituting μ_k for μ_s in Eq. 8-7.

In the case of a pivot bearing, Fig. 8-20a, then $R_2 = R$ and $R_1 = 0$, and Eq. 8-7 reduces to

$$M = \frac{2}{3} \mu_s P R \quad (8-8)$$

Remember that Eqs. 8-7 and 8-8 apply only for bearing surfaces subjected to *constant pressure*. If the pressure is not uniform, a variation of the pressure as a function of the bearing area must be determined before integrating to obtain the moment. The following example illustrates this concept.



The motor that turns the disk of this sanding machine develops a torque that must overcome the frictional forces acting on the disk.

EXAMPLE 8.9

The uniform bar shown in Fig. 8–22a has a weight of 4 lb. If it is assumed that the normal pressure acting at the contacting surface varies linearly along the length of the bar as shown, determine the couple moment \mathbf{M} required to rotate the bar. Assume that the bar's width is negligible in comparison to its length. The coefficient of static friction is equal to $\mu_s = 0.3$.

SOLUTION

A free-body diagram of the bar is shown in Fig. 8–22b. The intensity w_0 of the distributed load at the center ($x = 0$) is determined from vertical force equilibrium, Fig. 8–22a.

$$+\uparrow \Sigma F_z = 0; \quad -4 \text{ lb} + 2 \left[\frac{1}{2} (2 \text{ ft}) w_0 \right] = 0 \quad w_0 = 2 \text{ lb/ft}$$

Since $w = 0$ at $x = 2 \text{ ft}$, the distributed load expressed as a function of x is

$$w = (2 \text{ lb/ft}) \left(1 - \frac{x}{2 \text{ ft}} \right) = 2 - x$$

The magnitude of the normal force acting on a differential segment of area having a length dx is therefore

$$dN = w dx = (2 - x) dx$$

The magnitude of the frictional force acting on the same element of area is

$$dF = \mu_s dN = 0.3(2 - x) dx$$

Hence, the moment created by this force about the z axis is

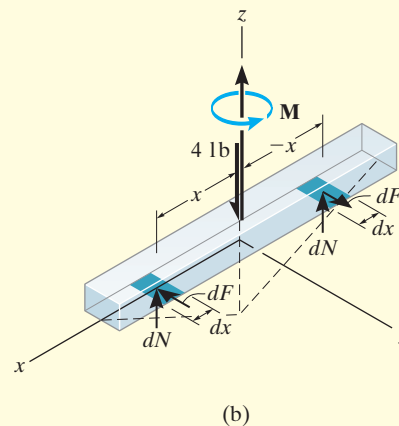
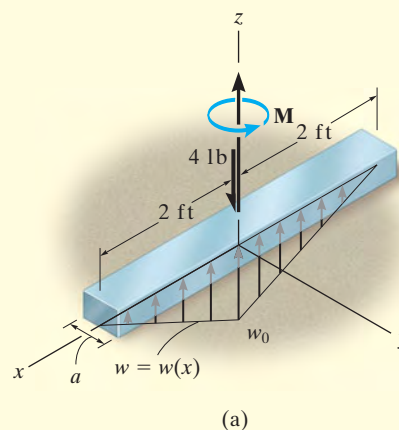
$$dM = x dF = 0.3(2x - x^2) dx$$

The summation of moments about the z axis of the bar is determined by integration, which yields

$$\Sigma M_z = 0; \quad M - 2 \int_0^2 (0.3)(2x - x^2) dx = 0$$

$$M = 0.6 \left(x^2 - \frac{x^3}{3} \right) \Big|_0^2$$

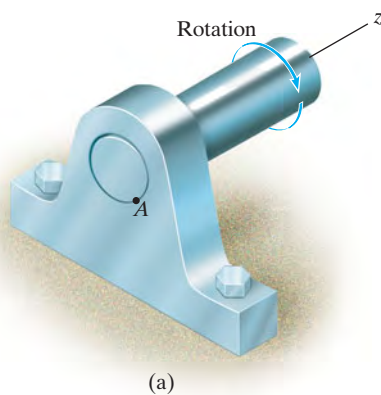
$$M = 0.8 \text{ lb} \cdot \text{ft} \quad \text{Ans.}$$

**Fig. 8–22**

8.7 Frictional Forces on Journal Bearings



Unwinding the cable from this spool requires overcoming friction from the supporting shaft.



(a)

Fig. 8–23

When a shaft or axle is subjected to lateral loads, a *journal bearing* is commonly used for support. Provided the bearing is not lubricated, or is only partially lubricated, a reasonable analysis of the frictional resistance on the bearing can be based on the laws of dry friction.

Frictional Analysis. A typical journal-bearing support is shown in Fig. 8–23a. As the shaft rotates, the contact point moves up the wall of the bearing to some point A where slipping occurs. If the vertical load acting at the end of the shaft is \mathbf{P} , then the bearing reactive force \mathbf{R} acting at A will be equal and opposite to \mathbf{P} , Fig. 8–23b. The moment needed to maintain constant rotation of the shaft can be found by summing moments about the z axis of the shaft; i.e.,

$$\Sigma M_z = 0; \quad M - (R \sin \phi_k)r = 0$$

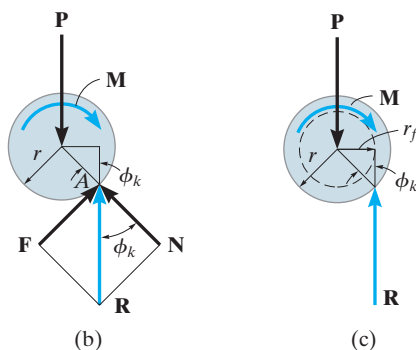
or

$$M = Rr \sin \phi_k \quad (8-9)$$

where ϕ_k is the angle of kinetic friction defined by $\tan \phi_k = F/N = \mu_k N/N = \mu_k$. In Fig. 8–23c, it is seen that $r \sin \phi_k = r_f$. The dashed circle with radius r_f is called the *friction circle*, and as the shaft rotates, the reaction \mathbf{R} will always be tangent to it. If the bearing is partially lubricated, μ_k is small, and therefore $\sin \phi_k \approx \tan \phi_k \approx \mu_k$. Under these conditions, a reasonable *approximation* to the moment needed to overcome the frictional resistance becomes

$$M \approx Rr\mu_k \quad (8-10)$$

In practice, this type of journal bearing is not suitable for long service since friction between the shaft and bearing will wear down the surfaces. Instead, designers will incorporate “ball bearings” or “rollers” in journal bearings to minimize frictional losses.

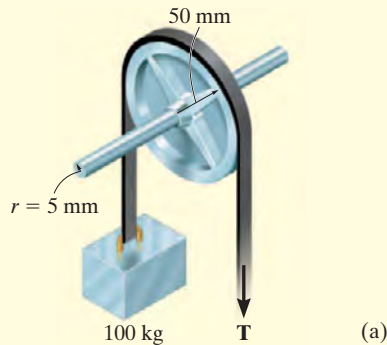


(b)

(c)

EXAMPLE 8.10

The 100-mm-diameter pulley shown in Fig. 8–24*a* fits loosely on a 10-mm- diameter shaft for which the coefficient of static friction is $\mu_s = 0.4$. Determine the minimum tension T in the belt needed to (a) raise the 100-kg block and (b) lower the block. Assume that no slipping occurs between the belt and pulley and neglect the weight of the pulley.

**SOLUTION**

Part (a). A free-body diagram of the pulley is shown in Fig. 8–24*b*. When the pulley is subjected to belt tensions of 981 N each, it makes contact with the shaft at point P_1 . As the tension T is increased, the contact point will move around the shaft to point P_2 before motion impends. From the figure, the friction circle has a radius $r_f = r \sin \phi_s$. Using the simplification that $\sin \phi_s \approx \tan \phi_s \approx \mu_s$ then $r_f \approx r\mu_s = (5 \text{ mm})(0.4) = 2 \text{ mm}$, so that summing moments about P_2 gives

$$\zeta + \sum M_{P_2} = 0; \quad 981 \text{ N}(52 \text{ mm}) - T(48 \text{ mm}) = 0$$

$$T = 1063 \text{ N} = 1.06 \text{ kN} \quad \text{Ans.}$$

If a more exact analysis is used, then $\phi_s = \tan^{-1} 0.4 = 21.8^\circ$. Thus, the radius of the friction circle would be $r_f = r \sin \phi_s = 5 \sin 21.8^\circ = 1.86 \text{ mm}$. Therefore,

$$\zeta + \sum M_{P_2} = 0;$$

$$981 \text{ N}(50 \text{ mm} + 1.86 \text{ mm}) - T(50 \text{ mm} - 1.86 \text{ mm}) = 0$$

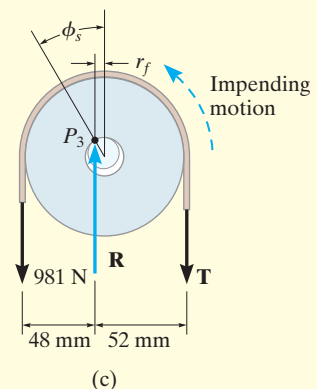
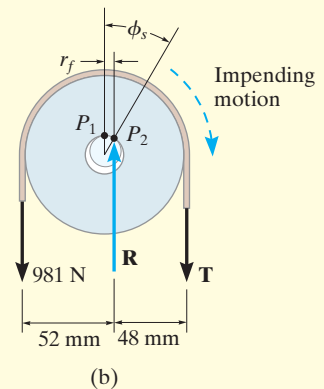
$$T = 1057 \text{ N} = 1.06 \text{ kN} \quad \text{Ans.}$$

Part (b). When the block is lowered, the resultant force \mathbf{R} acting on the shaft passes through point P_3 as shown in Fig. 8–24*c*. Summing moments about this point yields

$$\zeta + \sum M_{P_3} = 0; \quad 981 \text{ N}(48 \text{ mm}) - T(52 \text{ mm}) = 0$$

$$T = 906 \text{ N} \quad \text{Ans.}$$

NOTE: The difference between raising and lowering the block is thus 157 N.

**Fig. 8–24**

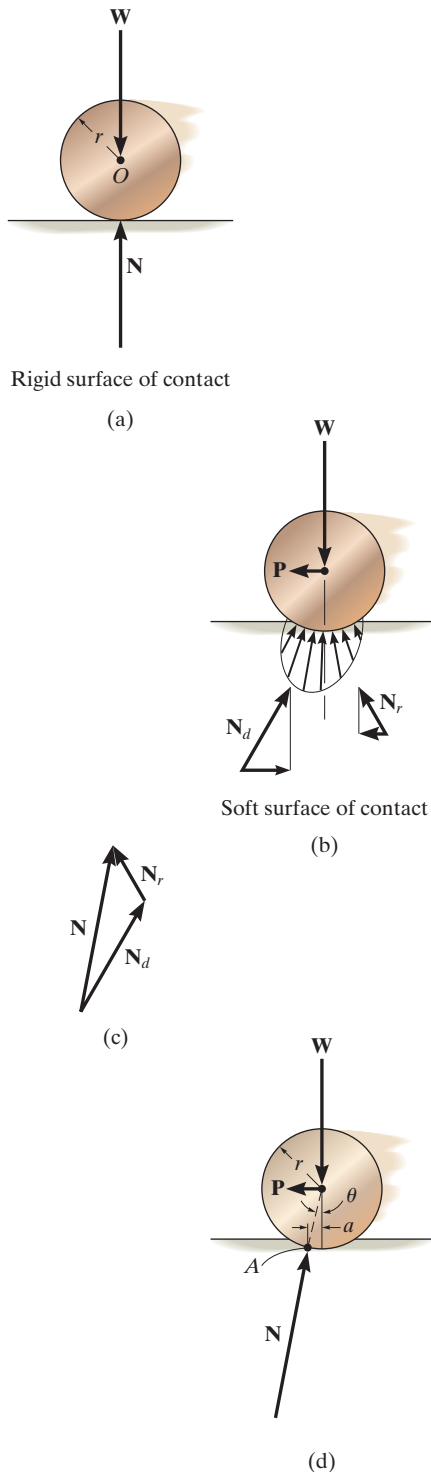


Fig. 8-25

*8.8 Rolling Resistance

When a *rigid* cylinder rolls at constant velocity along a *rigid* surface, the normal force exerted by the surface on the cylinder acts perpendicular to the tangent at the point of contact, as shown in Fig. 8-25a. Actually, however, no materials are perfectly rigid, and therefore the reaction of the surface on the cylinder consists of a distribution of normal pressure. For example, consider the cylinder to be made of a very hard material, and the surface on which it rolls to be relatively soft. Due to its weight, the cylinder compresses the surface underneath it, Fig. 8-25b. As the cylinder rolls, the surface material in front of the cylinder *retards* the motion since it is being *deformed*, whereas the material in the rear is *restored* from the deformed state and therefore tends to *push* the cylinder forward. The normal pressures acting on the cylinder in this manner are represented in Fig. 8-25b by their resultant forces \mathbf{N}_d and \mathbf{N}_r . Because the magnitude of the force of *deformation*, \mathbf{N}_d , and its horizontal component is *always greater* than that of *restoration*, \mathbf{N}_r , and consequently a horizontal driving force \mathbf{P} must be applied to the cylinder to maintain the motion. Fig. 8-25b.*

Rolling resistance is caused primarily by this effect, although it is also, to a lesser degree, the result of surface adhesion and relative micro-sliding between the surfaces of contact. Because the actual force \mathbf{P} needed to overcome these effects is difficult to determine, a simplified method will be developed here to explain one way engineers have analyzed this phenomenon. To do this, we will consider the resultant of the *entire* normal pressure, $\mathbf{N} = \mathbf{N}_d + \mathbf{N}_r$, acting on the cylinder, Fig. 8-25c. As shown in Fig. 8-25d, this force acts at an angle θ with the vertical. To keep the cylinder in equilibrium, i.e., rolling at a constant rate, it is necessary that \mathbf{N} be *concurrent* with the driving force \mathbf{P} and the weight \mathbf{W} . Summing moments about point A gives $Wa = P(r \cos \theta)$. Since the deformations are generally very small in relation to the cylinder's radius, $\cos \theta \approx 1$; hence,

$$Wa \approx Pr$$

or

$$P \approx \frac{Wa}{r} \quad (8-11)$$

The distance a is termed the *coefficient of rolling resistance*, which has the dimension of length. For instance, $a \approx 0.5$ mm for a wheel rolling on a rail, both of which are made of mild steel. For hardened

*Actually, the deformation force \mathbf{N}_d causes *energy* to be stored in the material as its magnitude is increased, whereas the restoration force \mathbf{N}_r , as its magnitude is decreased, allows some of this energy to be released. The remaining energy is *lost* since it is used to heat up the surface, and if the cylinder's weight is very large, it accounts for permanent deformation of the surface. Work must be done by the horizontal force \mathbf{P} to make up for this loss.

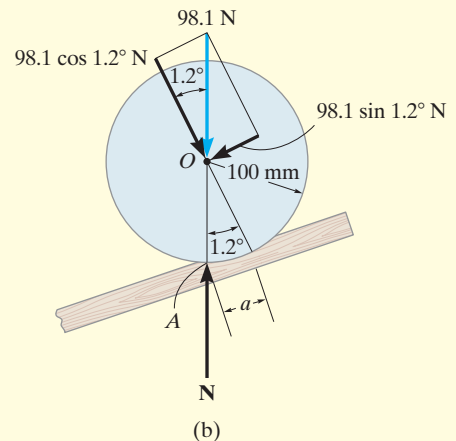
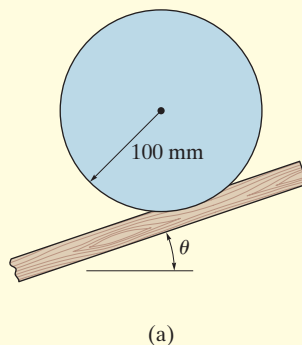
steel ball bearings on steel, $a \approx 0.1$ mm. Experimentally, though, this factor is difficult to measure, since it depends on such parameters as the rate of rotation of the cylinder, the elastic properties of the contacting surfaces, and the surface finish. For this reason, little reliance is placed on the data for determining a . The analysis presented here does, however, indicate why a heavy load (W) offers greater resistance to motion (P) than a light load under the same conditions. Furthermore, since Wa/r is generally very small compared to $\mu_k W$, the force needed to *roll* a cylinder over the surface will be much less than that needed to *slide* it across the surface. It is for this reason that a roller or ball bearings are often used to minimize the frictional resistance between moving parts.



Rolling resistance of railroad wheels on the rails is small since steel is very stiff. By comparison, the rolling resistance of the wheels of a tractor in a wet field is very large.

EXAMPLE 8.11

A 10-kg steel wheel shown in Fig. 8–26*a* has a radius of 100 mm and rests on an inclined plane made of soft wood. If θ is increased so that the wheel begins to roll down the incline with constant velocity when $\theta = 1.2^\circ$, determine the coefficient of rolling resistance.



SOLUTION

As shown on the free-body diagram, Fig. 8–26*b*, when the wheel has impending motion, the normal reaction \mathbf{N} acts at point A defined by the dimension a . Resolving the weight into components parallel and perpendicular to the incline, and summing moments about point A , yields

$$\zeta + \Sigma M_A = 0;$$

$$- (98.1 \cos 1.2^\circ \text{ N})(a) + (98.1 \sin 1.2^\circ \text{ N})(100 \cos 1.2^\circ \text{ mm}) = 0$$

Solving, we obtain

$$a = 2.09 \text{ mm}$$

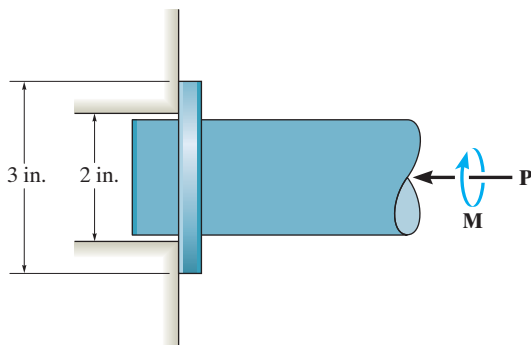
Ans.

Fig. 8–26

PROBLEMS

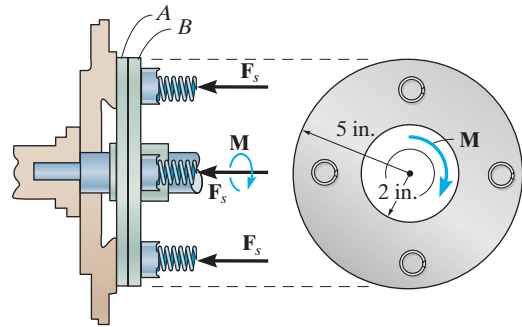
8-114. The collar bearing uniformly supports an axial force of $P = 800$ lb. If the coefficient of static friction is $\mu_s = 0.3$, determine the torque M required to overcome friction.

8-115. The collar bearing uniformly supports an axial force of $P = 500$ lb. If a torque of $M = 3$ lb · ft is applied to the shaft and causes it to rotate at constant velocity, determine the coefficient of kinetic friction at the surface of contact.



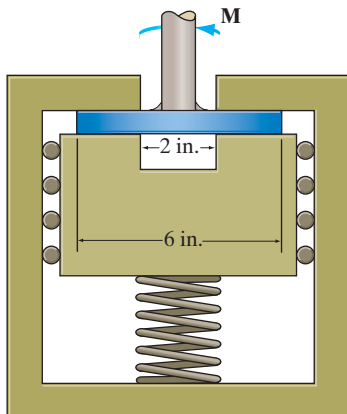
Probs. 8-114/115

8-117. The *disk clutch* is used in standard transmissions of automobiles. If four springs are used to force the two plates A and B together, determine the force in each spring required to transmit a moment of $M = 600$ lb · ft across the plates. The coefficient of static friction between A and B is $\mu_s = 0.3$.



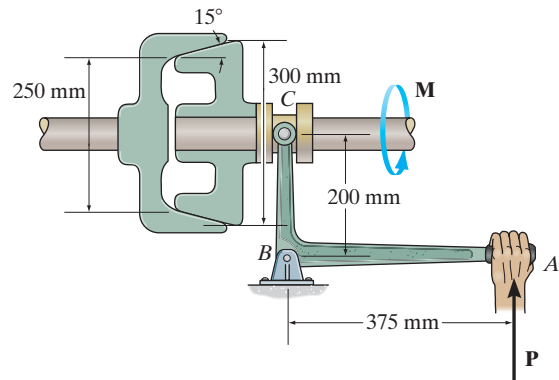
Prob. 8-117

***8-116.** If the spring exerts a force of 900 lb on the block, determine the torque M required to rotate the shaft. The coefficient of static friction at all contacting surfaces is $\mu_s = 0.3$.



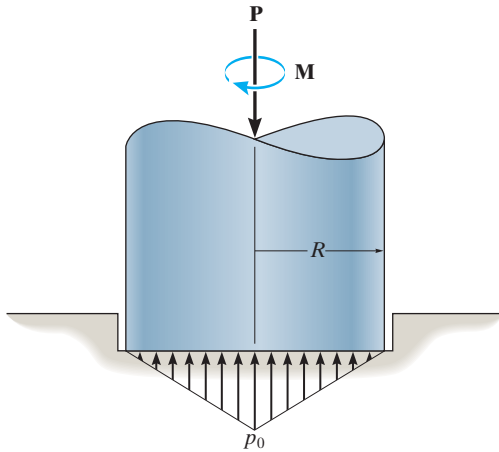
Prob. 8-116

8-118. If $P = 900$ N is applied to the handle of the bell crank, determine the maximum torque M the cone clutch can transmit. The coefficient of static friction at the contacting surface is $\mu_s = 0.3$.



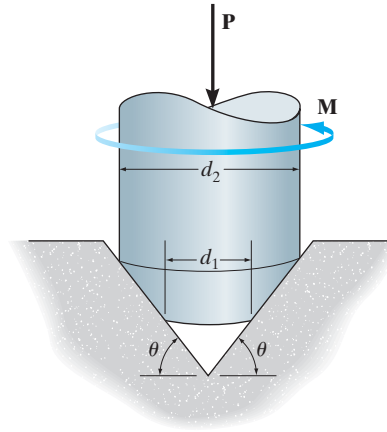
Prob. 8-118

8–119. Because of wearing at the edges, the pivot bearing is subjected to a conical pressure distribution at its surface of contact. Determine the torque M required to overcome friction and turn the shaft, which supports an axial force \mathbf{P} . The coefficient of static friction is μ_s . For the solution, it is necessary to determine the peak pressure p_0 in terms of P and the bearing radius R .



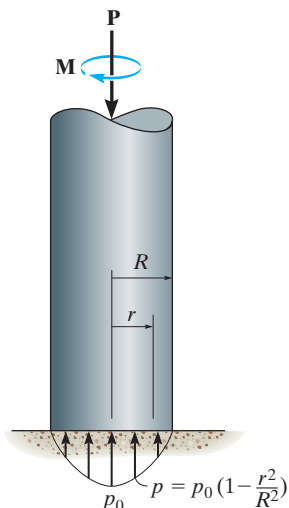
Prob. 8–119

•8–121. The shaft is subjected to an axial force \mathbf{P} . If the reactive pressure on the conical bearing is uniform, determine the torque M that is just sufficient to rotate the shaft. The coefficient of static friction at the contacting surface is μ_s .



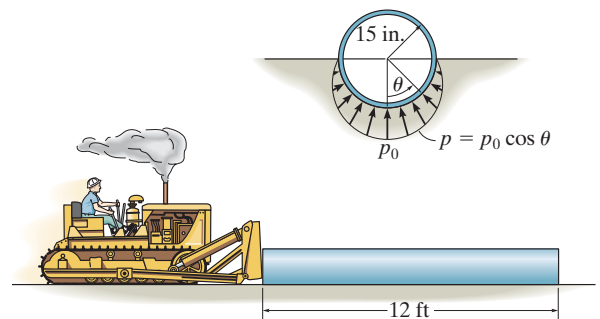
Prob. 8–121

***8–120.** The pivot bearing is subjected to a parabolic pressure distribution at its surface of contact. If the coefficient of static friction is μ_s , determine the torque M required to overcome friction and turn the shaft if it supports an axial force \mathbf{P} .



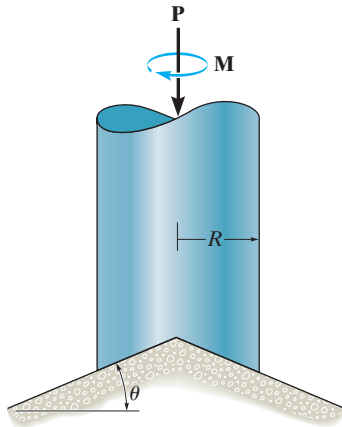
Prob. 8–120

8–122. The tractor is used to push the 1500-lb pipe. To do this it must overcome the frictional forces at the ground, caused by sand. Assuming that the sand exerts a pressure on the bottom of the pipe as shown, and the coefficient of static friction between the pipe and the sand is $\mu_s = 0.3$, determine the horizontal force required to push the pipe forward. Also, determine the peak pressure p_0 .



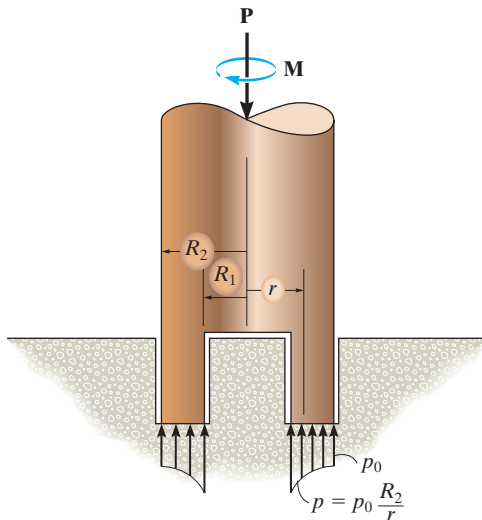
Prob. 8–122

8-123. The conical bearing is subjected to a constant pressure distribution at its surface of contact. If the coefficient of static friction is μ_s , determine the torque M required to overcome friction if the shaft supports an axial force \mathbf{P} .



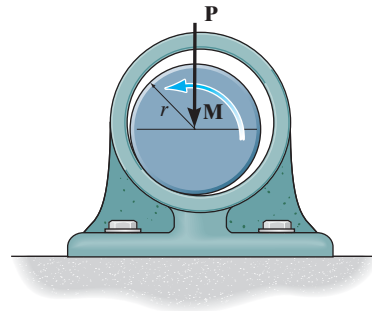
Prob. 8-123

***8-124.** Assuming that the variation of pressure at the bottom of the pivot bearing is defined as $p = p_0(R_2/r)$, determine the torque M needed to overcome friction if the shaft is subjected to an axial force \mathbf{P} . The coefficient of static friction is μ_s . For the solution, it is necessary to determine p_0 in terms of P and the bearing dimensions R_1 and R_2 .



Prob. 8-124

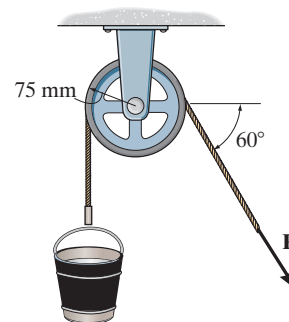
•8-125. The shaft of radius r fits loosely on the journal bearing. If the shaft transmits a vertical force \mathbf{P} to the bearing and the coefficient of kinetic friction between the shaft and the bearing is μ_k , determine the torque M required to turn the shaft with constant velocity.



Prob. 8-125

8-126. The pulley is supported by a 25-mm-diameter pin. If the pulley fits loosely on the pin, determine the smallest force P required to raise the bucket. The bucket has a mass of 20 kg and the coefficient of static friction between the pulley and the pin is $\mu_s = 0.3$. Neglect the mass of the pulley and assume that the cable does not slip on the pulley.

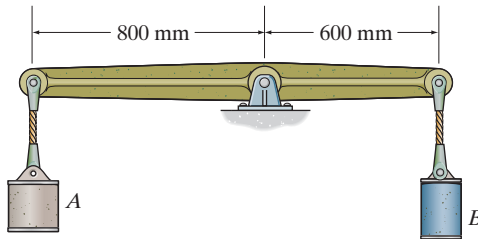
8-127. The pulley is supported by a 25-mm-diameter pin. If the pulley fits loosely on the pin, determine the largest force P that can be applied to the rope and yet lower the bucket. The bucket has a mass of 20 kg and the coefficient of static friction between the pulley and the pin is $\mu_s = 0.3$. Neglect the mass of the pulley and assume that the cable does not slip on the pulley.



Probs. 8-126/127

***8-128.** The cylinders are suspended from the end of the bar which fits loosely into a 40-mm-diameter pin. If A has a mass of 10 kg, determine the required mass of B which is just sufficient to keep the bar from rotating clockwise. The coefficient of static friction between the bar and the pin is $\mu_s = 0.3$. Neglect the mass of the bar.

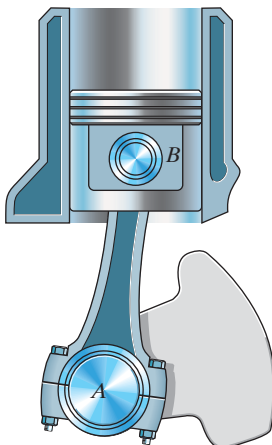
•8-129. The cylinders are suspended from the end of the bar which fits loosely into a 40-mm-diameter pin. If A has a mass of 10 kg, determine the required mass of B which is just sufficient to keep the bar from rotating counterclockwise. The coefficient of static friction between the bar and the pin is $\mu_s = 0.3$. Neglect the mass of the bar.



Probs. 8-128/129

8-130. The connecting rod is attached to the piston by a 0.75-in.-diameter pin at B and to the crank shaft by a 2-in.-diameter bearing A . If the piston is moving downwards, and the coefficient of static friction at the contact points is $\mu_s = 0.2$, determine the radius of the friction circle at each connection.

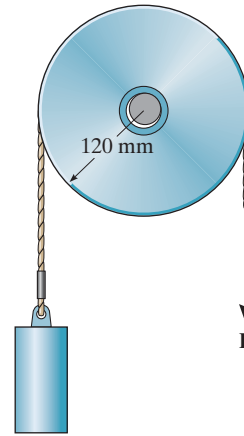
8-131. The connecting rod is attached to the piston by a 20-mm-diameter pin at B and to the crank shaft by a 50-mm-diameter bearing A . If the piston is moving upwards, and the coefficient of static friction at the contact points is $\mu_s = 0.3$, determine the radius of the friction circle at each connection.



Probs. 8-130/131

***8-132.** The 5-kg pulley has a diameter of 240 mm and the axle has a diameter of 40 mm. If the coefficient of kinetic friction between the axle and the pulley is $\mu_k = 0.15$, determine the vertical force P on the rope required to lift the 80-kg block at constant velocity.

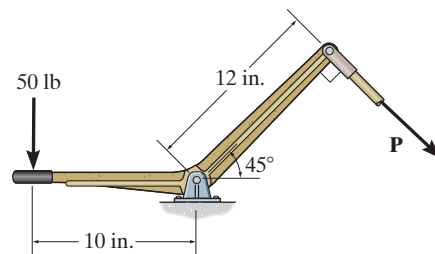
•8-133. Solve Prob. 8-132 if the force P is applied horizontally to the right.



Probs. 8-132/133

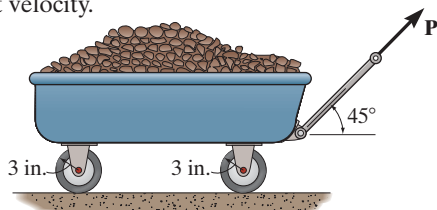
8-134. The bell crank fits loosely into a 0.5-in.-diameter pin. Determine the required force P which is just sufficient to rotate the bell crank clockwise. The coefficient of static friction between the pin and the bell crank is $\mu_s = 0.3$.

8-135. The bell crank fits loosely into a 0.5-in.-diameter pin. If $P = 41$ lb, the bell crank is then on the verge of rotating counterclockwise. Determine the coefficient of static friction between the pin and the bell crank.



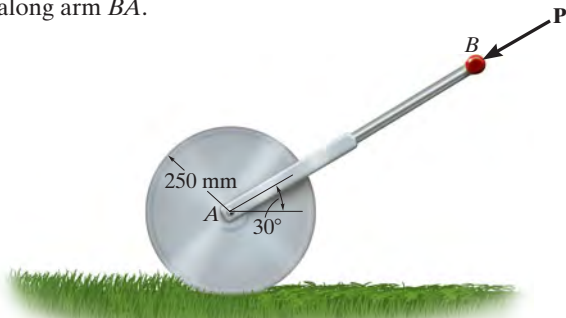
Probs. 8-134/135

***8-136.** The wagon together with the load weighs 150 lb. If the coefficient of rolling resistance is $a = 0.03$ in., determine the force P required to pull the wagon with constant velocity.



Prob. 8-136

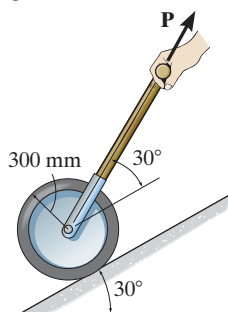
•8-137. The lawn roller has a mass of 80 kg. If the arm BA is held at an angle of 30° from the horizontal and the coefficient of rolling resistance for the roller is 25 mm, determine the force P needed to push the roller at constant speed. Neglect friction developed at the axle, A , and assume that the resultant force \mathbf{P} acting on the handle is applied along arm BA .



Prob. 8-137

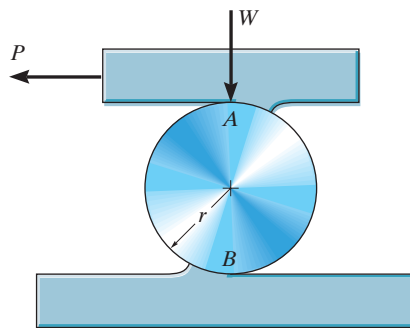
8-138. Determine the force P required to overcome rolling resistance and pull the 50-kg roller up the inclined plane with constant velocity. The coefficient of rolling resistance is $a = 15$ mm.

8-139. Determine the force P required to overcome rolling resistance and support the 50-kg roller if it rolls down the inclined plane with constant velocity. The coefficient of rolling resistance is $a = 15$ mm.



Probs. 8-138/139

***8-140.** The cylinder is subjected to a load that has a weight W . If the coefficients of rolling resistance for the cylinder's top and bottom surfaces are a_A and a_B , respectively, show that a horizontal force having a magnitude of $P = [W(a_A + a_B)]/2r$ is required to move the load and thereby roll the cylinder forward. Neglect the weight of the cylinder.



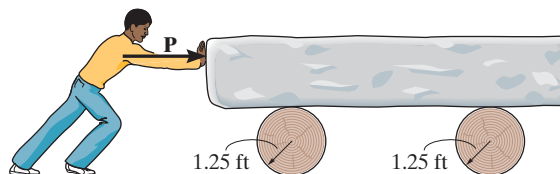
Prob. 8-140

•8-141. The 1.2-Mg steel beam is moved over a level surface using a series of 30-mm-diameter rollers for which the coefficient of rolling resistance is 0.4 mm at the ground and 0.2 mm at the bottom surface of the beam. Determine the horizontal force P needed to push the beam forward at a constant speed. *Hint:* Use the result of Prob. 8-140.



Prob. 8-141

8-142. Determine the smallest horizontal force P that must be exerted on the 200-lb block to move it forward. The rollers each weigh 50 lb, and the coefficient of rolling resistance at the top and bottom surfaces is $a = 0.2$ in.



Prob. 8-142

CHAPTER REVIEW

Dry Friction

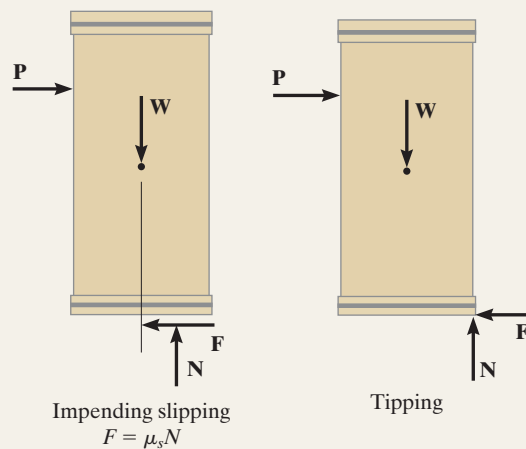
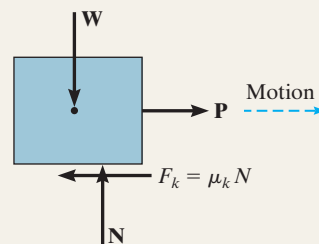
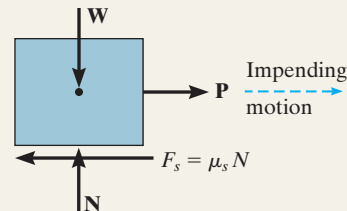
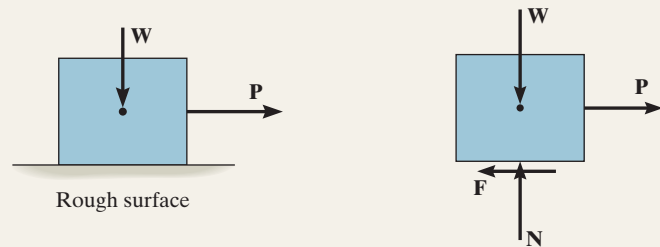
Frictional forces exist between two rough surfaces of contact. These forces act on a body so as to oppose its motion or tendency of motion.

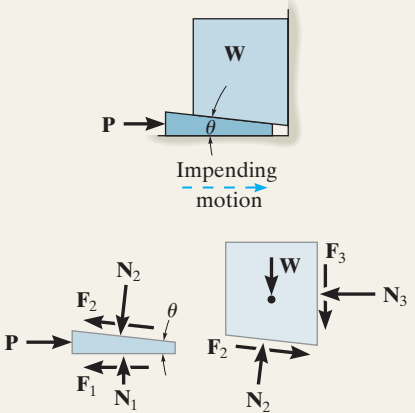
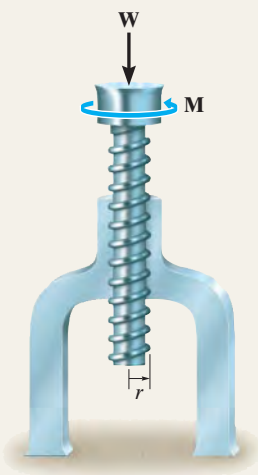
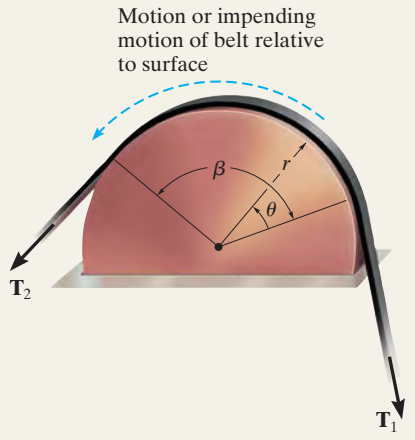
A static frictional force approaches a maximum value of $F_s = \mu_s N$, where μ_s is the *coefficient of static friction*. In this case, motion between the contacting surfaces is *impending*.

If slipping occurs, then the friction force remains essentially constant and equal to $F_k = \mu_k N$. Here μ_k is the *coefficient of kinetic friction*.

The solution of a problem involving friction requires first drawing the free-body diagram of the body. If the unknowns cannot be determined strictly from the equations of equilibrium, and the possibility of slipping occurs, then the friction equation should be applied at the appropriate points of contact in order to complete the solution.

It may also be possible for slender objects, like crates, to tip over, and this situation should also be investigated.



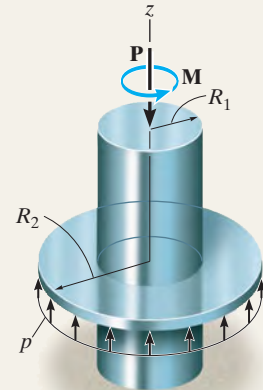
<p>Wedges</p> <p>Wedges are inclined planes used to increase the application of a force. The two force equilibrium equations are used to relate the forces acting on the wedge.</p> <p>An applied force P must push on the wedge to move it to the right.</p> <p>If the coefficients of friction between the surfaces are large enough, then P can be removed, and the wedge will be self-locking and remain in place.</p>	$\Sigma F_x = 0$ $\Sigma F_y = 0$	
<p>Screws</p> <p>Square-threaded screws are used to move heavy loads. They represent an inclined plane, wrapped around a cylinder.</p> <p>The moment needed to turn a screw depends upon the coefficient of friction and the screw's lead angle θ.</p> <p>If the coefficient of friction between the surfaces is large enough, then the screw will support the load without tending to turn, i.e., it will be self-locking.</p>	$M = Wr \tan(\theta + \phi_s)$ <p>Upward Impending Screw Motion</p> $M' = Wr \tan(\theta - \phi_s)$ <p>Downward Impending Screw Motion</p> $\theta > \phi$ $M'' = Wr \tan(\phi - \theta_s)$ <p>Downward Screw Motion</p> $\phi_s > \theta$	
<p>Flat Belts</p> <p>The force needed to move a flat belt over a rough curved surface depends only on the angle of belt contact, β, and the coefficient of friction.</p>	$T_2 = T_1 e^{\mu\beta}$ $T_2 > T_1$	<p>Motion or impending motion of belt relative to surface</p> 

Collar Bearings and Disks

The frictional analysis of a collar bearing or disk requires looking at a differential element of the contact area. The normal force acting on this element is determined from force equilibrium along the shaft, and the moment needed to turn the shaft at a constant rate is determined from moment equilibrium about the shaft's axis.

If the pressure on the surface of a collar bearing is uniform, then integration gives the result shown.

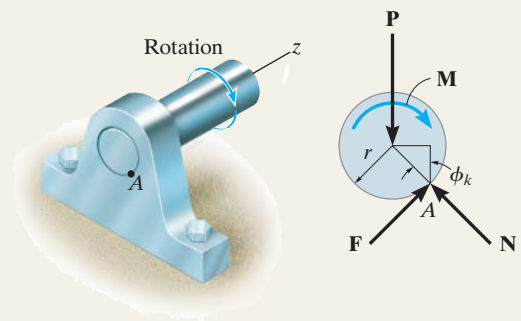
$$M = \frac{2}{3} \mu_s P \left(\frac{R_2^3 - R_1^3}{R_2^2 - R_1^2} \right)$$



Journal Bearings

When a moment is applied to a shaft in a nonlubricated or partially lubricated journal bearing, the shaft will tend to roll up the side of the bearing until slipping occurs. This defines the radius of a friction circle, and from it the moment needed to turn the shaft can be determined.

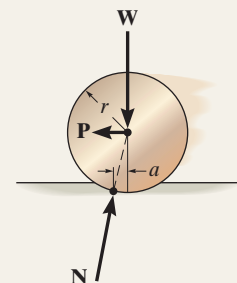
$$M = Rr \sin \phi_k$$



Rolling Resistance

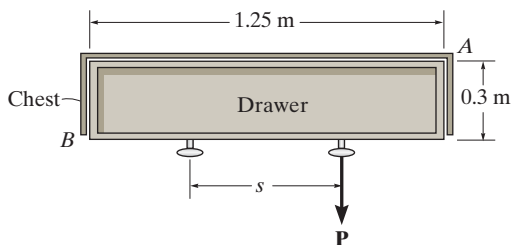
The resistance of a wheel to rolling over a surface is caused by localized *deformation* of the two materials in contact. This causes the resultant normal force acting on the rolling body to be inclined so that it provides a component that acts in the opposite direction of the applied force \mathbf{P} causing the motion. This effect is characterized using the *coefficient of rolling resistance*, a , which is determined from experiment.

$$P \approx \frac{Wa}{r}$$



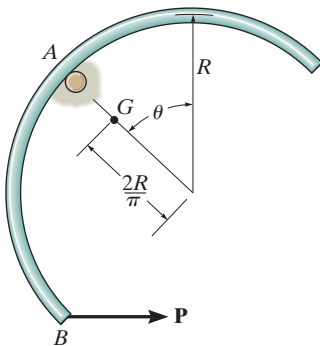
REVIEW PROBLEMS

8-143. A single force \mathbf{P} is applied to the handle of the drawer. If friction is neglected at the bottom and the coefficient of static friction along the sides is $\mu_s = 0.4$, determine the largest spacing s between the symmetrically placed handles so that the drawer does not bind at the corners A and B when the force \mathbf{P} is applied to one of the handles.



Prob. 8-143

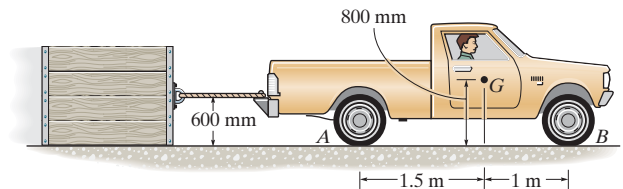
***8-144.** The semicircular thin hoop of weight W and center of gravity at G is suspended by the small peg at A . A horizontal force \mathbf{P} is slowly applied at B . If the hoop begins to slip at A when $\theta = 30^\circ$, determine the coefficient of static friction between the hoop and the peg.



Prob. 8-144

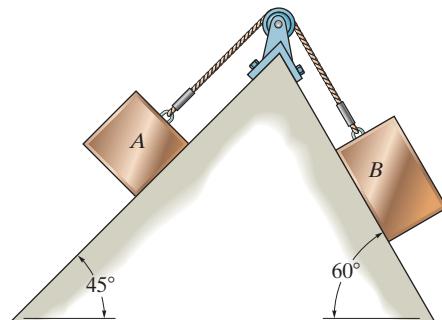
•8-145. The truck has a mass of 1.25 Mg and a center of mass at G . Determine the greatest load it can pull if (a) the truck has rear-wheel drive while the front wheels are free to roll, and (b) the truck has four-wheel drive. The coefficient of static friction between the wheels and the ground is $\mu_s = 0.5$, and between the crate and the ground, it is $\mu'_s = 0.4$.

8-146. Solve Prob. 8-145 if the truck and crate are traveling up a 10° incline.



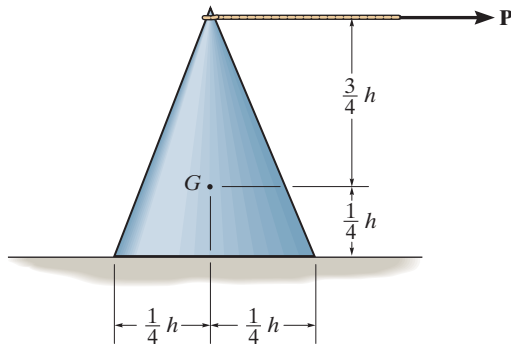
Probs. 8-145/146

8-147. If block A has a mass of 1.5 kg , determine the largest mass of block B without causing motion of the system. The coefficient of static friction between the blocks and inclined planes is $\mu_s = 0.2$.



Prob. 8-147

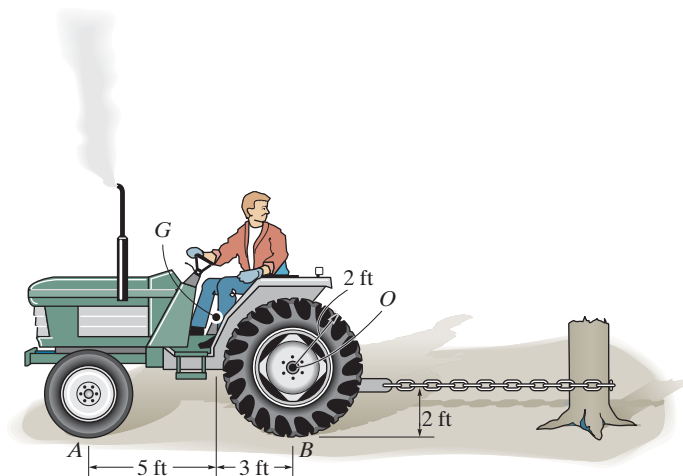
***8-148.** The cone has a weight W and center of gravity at G . If a horizontal force \mathbf{P} is gradually applied to the string attached to its vertex, determine the maximum coefficient of static friction for slipping to occur.



Prob. 8-148

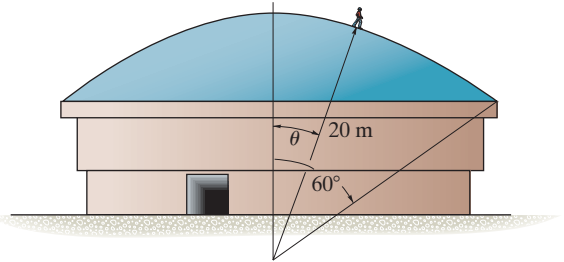
•8-149. The tractor pulls on the fixed tree stump. Determine the torque that must be applied by the engine to the rear wheels to cause them to slip. The front wheels are free to roll. The tractor weighs 3500 lb and has a center of gravity at G . The coefficient of static friction between the rear wheels and the ground is $\mu_s = 0.5$.

8-150. The tractor pulls on the fixed tree stump. If the coefficient of static friction between the rear wheels and the ground is $\mu_s = 0.6$, determine if the rear wheels slip or the front wheels lift off the ground as the engine provides torque to the rear wheels. What is the torque needed to cause this motion? The front wheels are free to roll. The tractor weighs 2500 lb and has a center of gravity at G .



Probs. 8-149/150

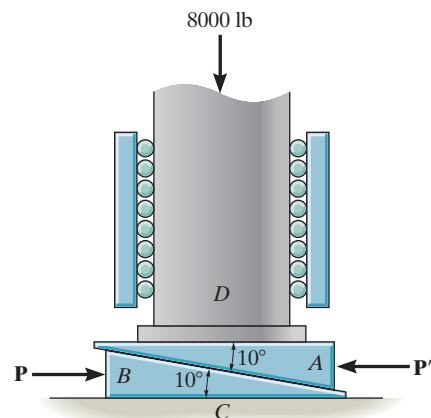
8-151. A roofer, having a mass of 70 kg, walks slowly in an upright position down along the surface of a dome that has a radius of curvature of $r = 20$ m. If the coefficient of static friction between his shoes and the dome is $\mu_s = 0.7$, determine the angle θ at which he first begins to slip.



Prob. 8-151

***8-152.** Column D is subjected to a vertical load of 8000 lb. It is supported on two identical wedges A and B for which the coefficient of static friction at the contacting surfaces between A and B and between B and C is $\mu_s = 0.4$. Determine the force P needed to raise the column and the equilibrium force P' needed to hold wedge A stationary. The contacting surface between A and D is smooth.

•8-153. Column D is subjected to a vertical load of 8000 lb. It is supported on two identical wedges A and B for which the coefficient of static friction at the contacting surfaces between A and B and between B and C is $\mu_s = 0.4$. If the forces \mathbf{P} and \mathbf{P}' are removed, are the wedges self-locking? The contacting surface between A and D is smooth.



Probs. 8-152/153



When a water tank is designed, it is important to be able to determine its center of gravity, calculate its volume and surface area, and reduce three-dimensional distributed loadings caused by the water pressure to their resultants. All of these topics are discussed in this chapter.

www.semeng.ir

Center of Gravity and Centroid

9

CHAPTER OBJECTIVES

- To discuss the concept of the center of gravity, center of mass, and the centroid.
- To show how to determine the location of the center of gravity and centroid for a system of discrete particles and a body of arbitrary shape.
- To use the theorems of Pappus and Guldinus for finding the surface area and volume for a body having axial symmetry.
- To present a method for finding the resultant of a general distributed loading and show how it applies to finding the resultant force of a pressure loading caused by a fluid.

9.1 Center of Gravity, Center of Mass, and the Centroid of a Body

In this section we will first show how to locate the center of gravity for a body, and then we will show that the center of mass and the centroid of a body can be developed using this same method.

Center of Gravity. A body is composed of an infinite number of particles of differential size, and so if the body is located within a gravitational field, then each of these particles will have a weight dW , Fig. 9–1*a*. These weights will form an approximately parallel force system, and the resultant of this system is the total weight of the body, which passes through a single point called the *center of gravity*, G , Fig. 9–1*b*.*

*This is true as long as the gravity field is assumed to have the same magnitude and direction everywhere. That assumption is appropriate for most engineering applications, since gravity does not vary appreciably between, for instance, the bottom and the top of a building.

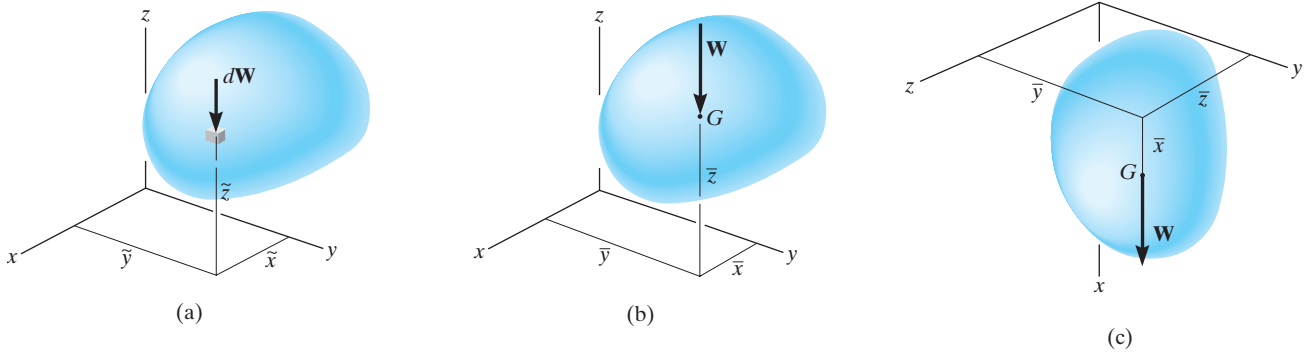


Fig. 9-1

Using the methods outlined in Sec. 4.8, the weight of the body is the sum of the weights of all of its particles, that is

$$+\downarrow F_R = \Sigma F_z; \quad W = \int dW$$

The location of the center of gravity, measured from the y axis, is determined by equating the moment of W about the y axis, Fig. 9-1*b*, to the sum of the moments of the weights of the particles about this same axis. If dW is located at point $(\tilde{x}, \tilde{y}, \tilde{z})$, Fig. 9-1*a*, then

$$(M_R)_y = \Sigma M_y; \quad \bar{x}W = \int \tilde{x}dW$$

Similarly, if moments are summed about the x axis,

$$(M_R)_x = \Sigma M_x; \quad \bar{y}W = \int \tilde{y}dW$$

Finally, imagine that the body is fixed within the coordinate system and this system is rotated 90° about the y axis, Fig. 9-1*c*. Then the sum of the moments about the y axis gives

$$(M_R)_y = \Sigma M_y; \quad \bar{z}W = \int \tilde{z}dW$$

Therefore, the location of the center of gravity G with respect to the x , y , z axes becomes

$$\bar{x} = \frac{\int \tilde{x} dW}{\int dW} \quad \bar{y} = \frac{\int \tilde{y} dW}{\int dW} \quad \bar{z} = \frac{\int \tilde{z} dW}{\int dW} \quad (9-1)$$

Here

\bar{x} , \bar{y} , \bar{z} are the coordinates of the center of gravity G , Fig. 9-1*b*.

\tilde{x} , \tilde{y} , \tilde{z} are the coordinates of each particle in the body, Fig. 9-1*a*.

Center of Mass of a Body. In order to study the *dynamic response* or accelerated motion of a body, it becomes important to locate the body's center of mass C_m , Fig. 9-2. This location can be determined by substituting $dW = g dm$ into Eqs. 9-1. Since g is constant, it cancels out, and so

$$\bar{x} = \frac{\int \tilde{x} dm}{\int dm} \quad \bar{y} = \frac{\int \tilde{y} dm}{\int dm} \quad \bar{z} = \frac{\int \tilde{z} dm}{\int dm} \quad (9-2)$$

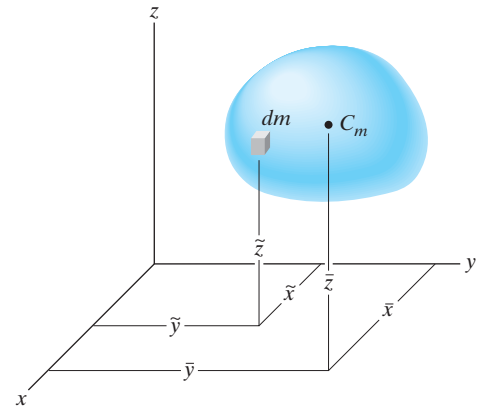


Fig. 9-2

Centroid of a Volume. If the body in Fig. 9-3 is made from a homogeneous material, then its density ρ (rho) will be constant. Therefore, a differential element of volume dV has a mass $dm = \rho dV$. Substituting this into Eqs. 9-2 and canceling out ρ , we obtain formulas that locate the *centroid* C or geometric center of the body; namely

$$\bar{x} = \frac{\int_V \tilde{x} dV}{\int_V dV} \quad \bar{y} = \frac{\int_V \tilde{y} dV}{\int_V dV} \quad \bar{z} = \frac{\int_V \tilde{z} dV}{\int_V dV} \quad (9-3)$$

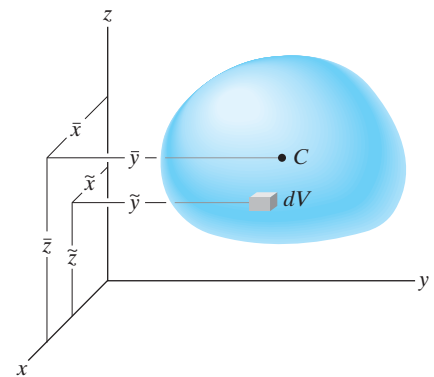


Fig. 9-3

These equations represent a balance of the moments of the volume of the body. Therefore, if the volume possesses two planes of symmetry, then its centroid must lie along the line of intersection of these two planes. For example, the cone in Fig. 9-4 has a centroid that lies on the y axis so that $\bar{x} = \bar{z} = 0$. The location \bar{y} can be found using a single integration by choosing a differential element represented by a *thin disk* having a thickness dy and radius $r = z$. Its volume is $dV = \pi r^2 dy = \pi z^2 dy$ and its centroid is at $\tilde{x} = 0, \tilde{y} = y, \tilde{z} = 0$.

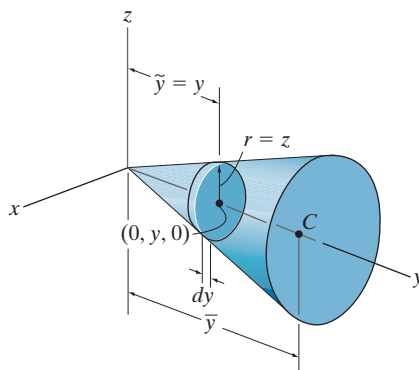


Fig. 9-4

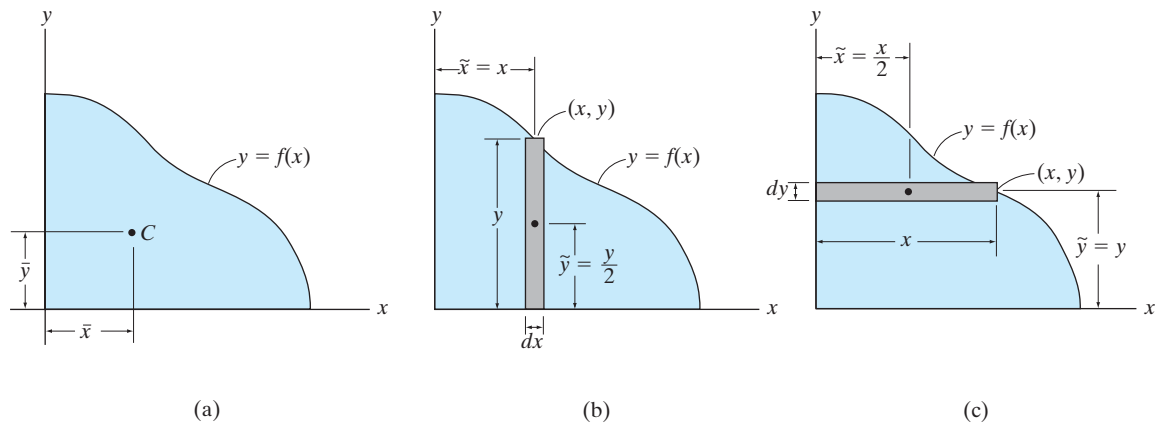


Fig. 9-5



Integration must be used to determine the location of the center of gravity of this goal post due to the curvature of the supporting member.

Centroid of an Area. If an area lies in the x - y plane and is bounded by the curve $y = f(x)$, as shown in Fig. 9-5a, then its centroid will be in this plane and can be determined from integrals similar to Eqs. 9-3, namely,

$$\bar{x} = \frac{\int_A \tilde{x} dA}{\int_A dA} \quad \bar{y} = \frac{\int_A \tilde{y} dA}{\int_A dA} \quad (9-4)$$

These integrals can be evaluated by performing a *single integration* if we use a *rectangular strip* for the differential area element. For example, if a vertical strip is used, Fig. 9-5b, the area of the element is $dA = y dx$, and its centroid is located at $\tilde{x} = x$ and $\tilde{y} = y/2$. If we consider a horizontal strip, Fig. 9-5c, then $dA = x dy$, and its centroid is located at $\tilde{x} = x/2$ and $\tilde{y} = y$.

Centroid of a Line. If a line segment (or rod) lies within the x - y plane and it can be described by a thin curve $y = f(x)$, Fig. 9-6a, then its centroid is determined from

$$\bar{x} = \frac{\int_L \tilde{x} dL}{\int_L dL} \quad \bar{y} = \frac{\int_L \tilde{y} dL}{\int_L dL} \quad (9-5)$$

Here, the length of the differential element is given by the Pythagorean theorem, $dL = \sqrt{(dx)^2 + (dy)^2}$, which can also be written in the form

$$\begin{aligned} dL &= \sqrt{\left(\frac{dx}{dx}\right)^2 dx^2 + \left(\frac{dy}{dx}\right)^2 dx^2} \\ &= \left(\sqrt{1 + \left(\frac{dy}{dx}\right)^2}\right) dx \end{aligned}$$

or

$$\begin{aligned} dL &= \sqrt{\left(\frac{dx}{dy}\right)^2 dy^2 + \left(\frac{dy}{dy}\right)^2 dy^2} \\ &= \left(\sqrt{\left(\frac{dx}{dy}\right)^2 + 1}\right) dy \end{aligned}$$

Either one of these expressions can be used; however, for application, the one that will result in a simpler integration should be selected. For example, consider the rod in Fig. 9–6*b*, defined by $y = 2x^2$. The length of the element is $dL = \sqrt{1 + (dy/dx)^2} dx$, and since $dy/dx = 4x$, then $dL = \sqrt{1 + (4x)^2} dx$. The centroid for this element is located at $\tilde{x} = x$ and $\tilde{y} = y$.

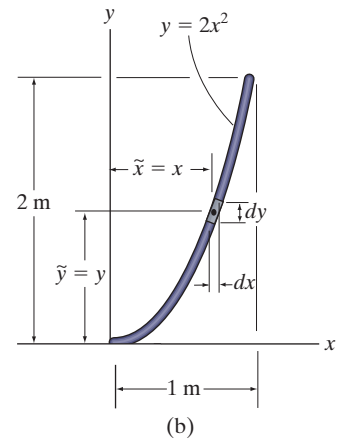
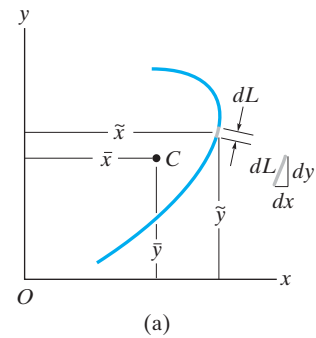


Fig. 9–6

Important Points

- The centroid represents the geometric center of a body. This point coincides with the center of mass or the center of gravity only if the material composing the body is uniform or homogeneous.
- Formulas used to locate the center of gravity or the centroid simply represent a balance between the sum of moments of all the parts of the system and the moment of the “resultant” for the system.
- In some cases the centroid is located at a point that is not on the object, as in the case of a ring, where the centroid is at its center. Also, this point will lie on any axis of symmetry for the body, Fig. 9–7.

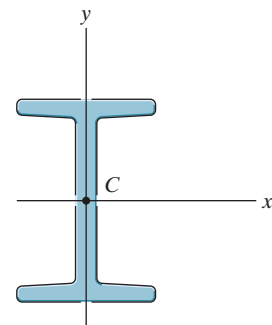


Fig. 9–7

Procedure for Analysis

The center of gravity or centroid of an object or shape can be determined by single integrations using the following procedure.

Differential Element.

- Select an appropriate coordinate system, specify the coordinate axes, and then choose a differential element for integration.
- For lines the element is represented by a differential line segment of length dL .
- For areas the element is generally a rectangle of area dA , having a finite length and differential width.
- For volumes the element can be a circular disk of volume dV , having a finite radius and differential thickness.
- Locate the element so that it touches the arbitrary point (x, y, z) on the curve that defines the boundary of the shape.

Size and Moment Arms.

- Express the length dL , area dA , or volume dV of the element in terms of the coordinates describing the curve.
- Express the moment arms \tilde{x} , \tilde{y} , \tilde{z} for the centroid or center of gravity of the element in terms of the coordinates describing the curve.

Integrations.

- Substitute the formulations for \tilde{x} , \tilde{y} , \tilde{z} and dL , dA , or dV into the appropriate equations (Eqs. 9–1 through 9–5).
- Express the function in the integrand in terms of the *same variable as the differential thickness of the element*.
- The limits of the integral are defined from the two extreme locations of the element's differential thickness, so that when the elements are “summed” or the integration performed, the entire region is covered.*

*Formulas for integration are given in Appendix A.

EXAMPLE 9.1

Locate the centroid of the rod bent into the shape of a parabolic arc as shown in Fig. 9–8.

SOLUTION

Differential Element. The differential element is shown in Fig. 9–8. It is located on the curve at the *arbitrary point* (x, y) .

Area and Moment Arms. The differential element of length dL can be expressed in terms of the differentials dx and dy using the Pythagorean theorem.

$$dL = \sqrt{(dx)^2 + (dy)^2} = \sqrt{\left(\frac{dx}{dy}\right)^2 + 1} dy$$

Since $x = y^2$, then $dx/dy = 2y$. Therefore, expressing dL in terms of y and dy , we have

$$dL = \sqrt{(2y)^2 + 1} dy$$

As shown in Fig. 9–8, the centroid of the element is located at $\tilde{x} = x$, $\tilde{y} = y$.

Integrations. Applying Eqs. 9–5, using the formulas in Appendix A to evaluate the integrals, we get

$$\begin{aligned} \bar{x} &= \frac{\int_L \tilde{x} dL}{\int_L dL} = \frac{\int_0^{1\text{m}} x \sqrt{4y^2 + 1} dy}{\int_0^{1\text{m}} \sqrt{4y^2 + 1} dy} = \frac{\int_0^{1\text{m}} y^2 \sqrt{4y^2 + 1} dy}{\int_0^{1\text{m}} \sqrt{4y^2 + 1} dy} \\ &= \frac{0.6063}{1.479} = 0.410 \text{ m} \quad \text{Ans.} \end{aligned}$$

$$\begin{aligned} \bar{y} &= \frac{\int_L \tilde{y} dL}{\int_L dL} = \frac{\int_0^{1\text{m}} y \sqrt{4y^2 + 1} dy}{\int_0^{1\text{m}} \sqrt{4y^2 + 1} dy} = \frac{0.8484}{1.479} = 0.574 \text{ m} \quad \text{Ans.} \end{aligned}$$

NOTE: These results for C seem reasonable when they are plotted on Fig. 9–8.

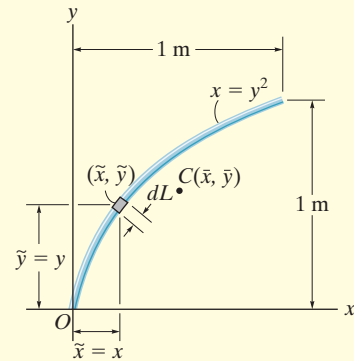


Fig. 9–8

EXAMPLE 9.2

Locate the centroid of the circular wire segment shown in Fig. 9–9.

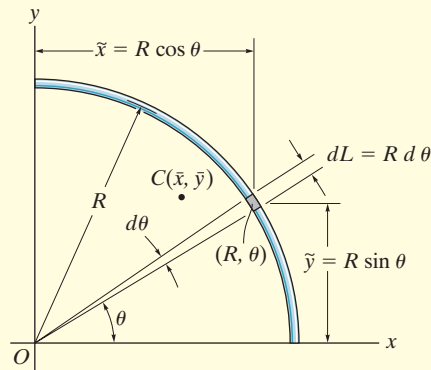


Fig. 9–9

SOLUTION

Polar coordinates will be used to solve this problem since the arc is circular.

Differential Element. A differential circular arc is selected as shown in the figure. This element intersects the curve at (R, θ) .

Length and Moment Arm. The length of the differential element is $dL = R d\theta$, and its centroid is located at $\tilde{x} = R \cos \theta$ and $\tilde{y} = R \sin \theta$.

Integrations. Applying Eqs. 9–5 and integrating with respect to θ , we obtain

$$\bar{x} = \frac{\int_L \tilde{x} dL}{\int_L dL} = \frac{\int_0^{\pi/2} (R \cos \theta) R d\theta}{\int_0^{\pi/2} R d\theta} = \frac{R^2 \int_0^{\pi/2} \cos \theta d\theta}{R \int_0^{\pi/2} d\theta} = \frac{2R}{\pi} \text{ Ans.}$$

$$\bar{y} = \frac{\int_L \tilde{y} dL}{\int_L dL} = \frac{\int_0^{\pi/2} (R \sin \theta) R d\theta}{\int_0^{\pi/2} R d\theta} = \frac{R^2 \int_0^{\pi/2} \sin \theta d\theta}{R \int_0^{\pi/2} d\theta} = \frac{2R}{\pi} \text{ Ans.}$$

NOTE: As expected, the two coordinates are numerically the same due to the symmetry of the wire.

EXAMPLE 9.3

Determine the distance \bar{y} measured from the x axis to the centroid of the area of the triangle shown in Fig. 9–10.

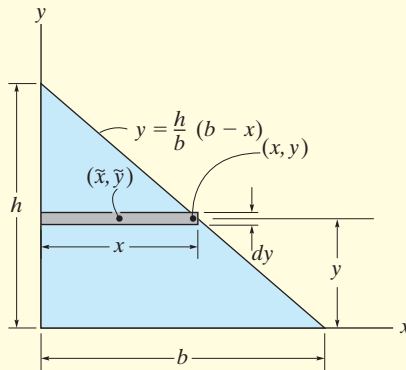


Fig. 9–10

SOLUTION

Differential Element. Consider a rectangular element having a thickness dy , and located in an arbitrary position so that it intersects the boundary at (x, y) , Fig. 9–10.

Area and Moment Arms. The area of the element is $dA = x dy = \frac{b}{h}(h - y) dy$, and its centroid is located a distance $\tilde{y} = y$ from the x axis.

Integration. Applying the second of Eqs. 9–4 and integrating with respect to y yields

$$\begin{aligned}\bar{y} &= \frac{\int_A \tilde{y} dA}{\int_A dA} = \frac{\int_0^h y \left[\frac{b}{h}(h - y) dy \right]}{\int_0^h \frac{b}{h}(h - y) dy} = \frac{\frac{1}{6}bh^2}{\frac{1}{2}bh} \\ &= \frac{h}{3} \qquad \text{Ans.}\end{aligned}$$

NOTE: This result is valid for any shape of triangle. It states that the centroid is located at one-third the height, measured from the base of the triangle.

EXAMPLE 9.4

Locate the centroid for the area of a quarter circle shown in Fig. 9–11.

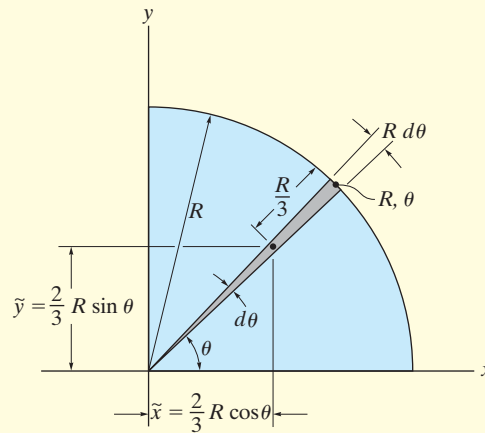


Fig. 9–11

SOLUTION

Differential Element. Polar coordinates will be used, since the boundary is circular. We choose the element in the shape of a *triangle*, Fig. 9–11. (Actually the shape is a circular sector; however, neglecting higher-order differentials, the element becomes triangular.) The element intersects the curve at point (R, θ) .

Area and Moment Arms. The area of the element is

$$dA = \frac{1}{2}(R)(R d\theta) = \frac{R^2}{2} d\theta$$

and using the results of Example 9.3, the centroid of the (triangular) element is located at $\tilde{x} = \frac{2}{3}R \cos \theta$, $\tilde{y} = \frac{2}{3}R \sin \theta$.

Integrations. Applying Eqs. 9–4 and integrating with respect to θ , we obtain

$$\bar{x} = \frac{\int_A \tilde{x} dA}{\int_A dA} = \frac{\int_0^{\pi/2} \left(\frac{2}{3}R \cos \theta\right) \frac{R^2}{2} d\theta}{\int_0^{\pi/2} \frac{R^2}{2} d\theta} = \frac{\left(\frac{2}{3}R\right) \int_0^{\pi/2} \cos \theta d\theta}{\int_0^{\pi/2} d\theta} = \frac{4R}{3\pi} \quad \text{Ans.}$$

$$\bar{y} = \frac{\int_A \tilde{y} dA}{\int_A dA} = \frac{\int_0^{\pi/2} \left(\frac{2}{3}R \sin \theta\right) \frac{R^2}{2} d\theta}{\int_0^{\pi/2} \frac{R^2}{2} d\theta} = \frac{\left(\frac{2}{3}R\right) \int_0^{\pi/2} \sin \theta d\theta}{\int_0^{\pi/2} d\theta} = \frac{4R}{3\pi} \quad \text{Ans.}$$

EXAMPLE 9.5

Locate the centroid of the area shown in Fig. 9–12a.

SOLUTION I

Differential Element. A differential element of thickness dx is shown in Fig. 9–12a. The element intersects the curve at the *arbitrary point* (x, y) , and so it has a height y .

Area and Moment Arms. The area of the element is $dA = y dx$, and its centroid is located at $\tilde{x} = x, \tilde{y} = y/2$.

Integrations. Applying Eqs. 9–4 and integrating with respect to x yields

$$\bar{x} = \frac{\int_A \tilde{x} dA}{\int_A dA} = \frac{\int_0^{1\text{m}} xy dx}{\int_0^{1\text{m}} y dx} = \frac{\int_0^{1\text{m}} x^3 dx}{\int_0^{1\text{m}} x^2 dx} = \frac{0.250}{0.333} = 0.75 \text{ m}$$

$$\bar{y} = \frac{\int_A \tilde{y} dA}{\int_A dA} = \frac{\int_0^{1\text{m}} (y/2)y dx}{\int_0^{1\text{m}} y dx} = \frac{\int_0^{1\text{m}} (x^2/2)x^2 dx}{\int_0^{1\text{m}} x^2 dx} = \frac{0.100}{0.333} = 0.3 \text{ m} \quad \text{Ans.}$$

SOLUTION II

Differential Element. The differential element of thickness dy is shown in Fig. 9–12b. The element intersects the curve at the *arbitrary point* (x, y) , and so it has a length $(1 - x)$.

Area and Moment Arms. The area of the element is $dA = (1 - x) dy$, and its centroid is located at

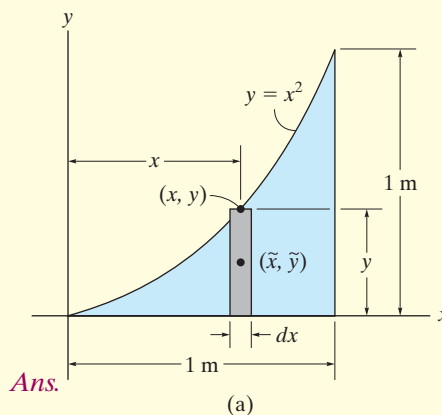
$$\tilde{x} = x + \left(\frac{1 - x}{2}\right) = \frac{1 + x}{2}, \tilde{y} = y$$

Integrations. Applying Eqs. 9–4 and integrating with respect to y , we obtain

$$\bar{x} = \frac{\int_A \tilde{x} dA}{\int_A dA} = \frac{\int_0^{1\text{m}} [(1 + x)/2](1 - x) dy}{\int_0^{1\text{m}} (1 - x) dy} = \frac{\frac{1}{2} \int_0^{1\text{m}} (1 - y) dy}{\int_0^{1\text{m}} (1 - \sqrt{y}) dy} = \frac{0.250}{0.333} = 0.75 \text{ m} \quad \text{Ans.}$$

$$\bar{y} = \frac{\int_A \tilde{y} dA}{\int_A dA} = \frac{\int_0^{1\text{m}} y(1 - x) dy}{\int_0^{1\text{m}} (1 - x) dy} = \frac{\int_0^{1\text{m}} (y - y^{3/2}) dy}{\int_0^{1\text{m}} (1 - \sqrt{y}) dy} = \frac{0.100}{0.333} = 0.3 \text{ m} \quad \text{Ans.}$$

NOTE: Plot these results and notice that they seem reasonable. Also, for this problem, elements of thickness dx offer a simpler solution.



Ans.

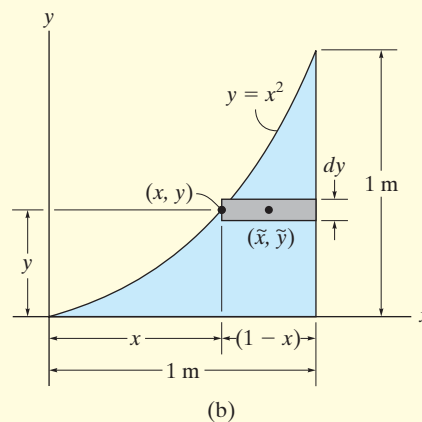


Fig. 9–12

EXAMPLE 9.6

Locate the centroid of the semi-elliptical area shown in Fig. 9–13a.

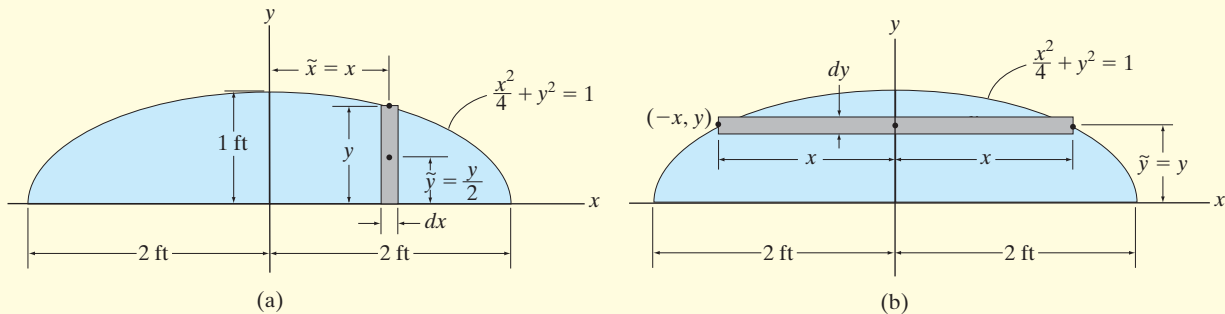


Fig. 9–13

SOLUTION I

Differential Element. The rectangular differential element parallel to the y axis shown shaded in Fig. 9–13a will be considered. This element has a thickness of dx and a height of y .

Area and Moment Arms. Thus, the area is $dA = y dx$, and its centroid is located at $\tilde{x} = x$ and $\tilde{y} = y/2$.

Integration. Since the area is symmetrical about the y axis,

$$\bar{x} = 0 \quad \text{Ans.}$$

Applying the second of Eqs. 9–4 with $y = \sqrt{1 - \frac{x^2}{4}}$, we have

$$\bar{y} = \frac{\int_A \tilde{y} dA}{\int_A dA} = \frac{\int_{-2\text{ft}}^{2\text{ft}} \frac{y}{2} (y dx)}{\int_{-2\text{ft}}^{2\text{ft}} y dx} = \frac{\frac{1}{2} \int_{-2\text{ft}}^{2\text{ft}} \left(1 - \frac{x^2}{4}\right) dx}{\int_{-2\text{ft}}^{2\text{ft}} \sqrt{1 - \frac{x^2}{4}} dx} = \frac{4/3}{\pi} = 0.424 \text{ ft} \quad \text{Ans.}$$

SOLUTION II

Differential Element. The shaded rectangular differential element of thickness dy and width $2x$, parallel to the x axis, will be considered, Fig. 9–13b.

Area and Moment Arms. The area is $dA = 2x dy$, and its centroid is at $\tilde{x} = 0$ and $\tilde{y} = y$.

Integration. Applying the second of Eqs. 9–4, with $x = 2\sqrt{1 - y^2}$, we have

$$\bar{y} = \frac{\int_A \tilde{y} dA}{\int_A dA} = \frac{\int_0^{1\text{ft}} y(2x dy)}{\int_0^{1\text{ft}} 2x dy} = \frac{\int_0^{1\text{ft}} 4y\sqrt{1 - y^2} dy}{\int_0^{1\text{ft}} 4\sqrt{1 - y^2} dy} = \frac{4/3}{\pi} \text{ ft} = 0.424 \text{ ft} \quad \text{Ans.}$$

EXAMPLE 9.7

Locate the \bar{y} centroid for the paraboloid of revolution, shown in Fig. 9–14.

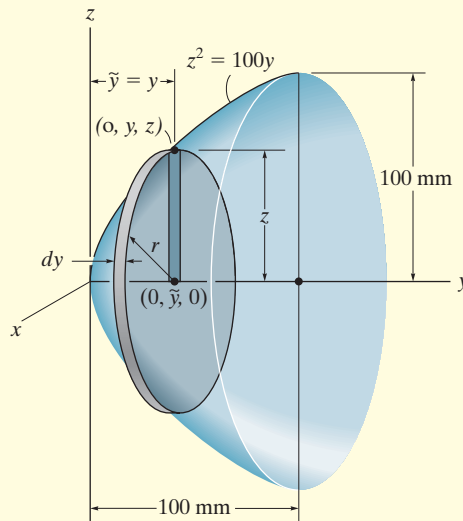


Fig. 9–14

SOLUTION

Differential Element. An element having the shape of a *thin disk* is chosen. This element has a thickness dy , it intersects the generating curve at the *arbitrary point* $(0, y, z)$, and so its radius is $r = z$.

Volume and Moment Arm. The volume of the element is $dV = (\pi z^2) dy$, and its centroid is located at $\tilde{y} = y$.

Integration. Applying the second of Eqs. 9–3 and integrating with respect to y yields

$$\bar{y} = \frac{\int_V \tilde{y} dV}{\int_V dV} = \frac{\int_0^{100 \text{ mm}} y(\pi z^2) dy}{\int_0^{100 \text{ mm}} (\pi z^2) dy} = \frac{100\pi \int_0^{100 \text{ mm}} y^2 dy}{100\pi \int_0^{100 \text{ mm}} y dy} = 66.7 \text{ mm} \quad \text{Ans.}$$

EXAMPLE 9.8

Determine the location of the center of mass of the cylinder shown in Fig. 9–15 if its density varies directly with the distance from its base, i.e., $\rho = 200z \text{ kg/m}^3$.

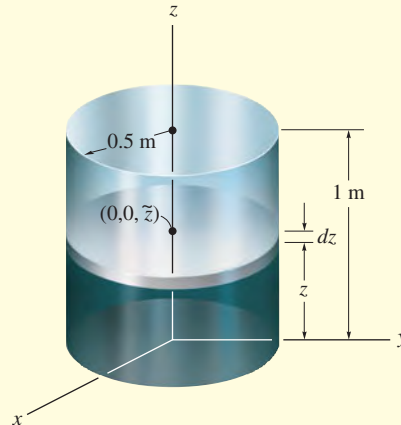


Fig. 9–15

SOLUTION

For reasons of material symmetry,

$$\bar{x} = \bar{y} = 0 \quad \text{Ans.}$$

Differential Element. A disk element of radius 0.5 m and thickness dz is chosen for integration, Fig. 9–15, since the *density of the entire element is constant* for a given value of z . The element is located along the z axis at the *arbitrary point* $(0, 0, z)$.

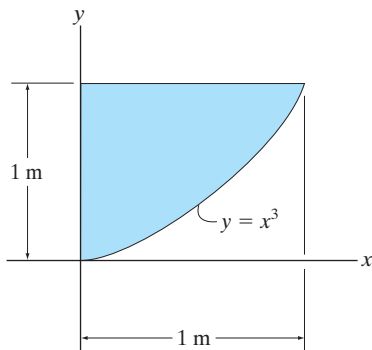
Volume and Moment Arm. The volume of the element is $dV = \pi(0.5)^2 dz$, and its centroid is located at $\tilde{z} = z$.

Integrations. Using an equation similar to the third of Eqs. 9–2 and integrating with respect to z , noting that $\rho = 200z$, we have

$$\begin{aligned} \bar{z} &= \frac{\int_V \tilde{z} \rho dV}{\int_V \rho dV} = \frac{\int_0^{1 \text{ m}} z(200z) [\pi(0.5)^2 dz]}{\int_0^{1 \text{ m}} (200z) \pi(0.5)^2 dz} \\ &= \frac{\int_0^{1 \text{ m}} z^2 dz}{\int_0^{1 \text{ m}} z dz} = 0.667 \text{ m} \quad \text{Ans.} \end{aligned}$$

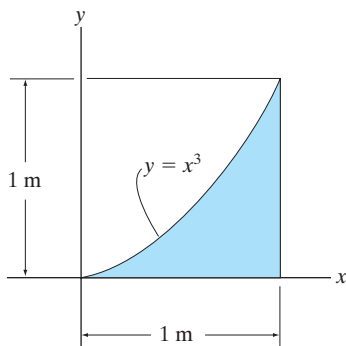
FUNDAMENTAL PROBLEMS

F9-1. Determine the centroid (\bar{x}, \bar{y}) of the shaded area.



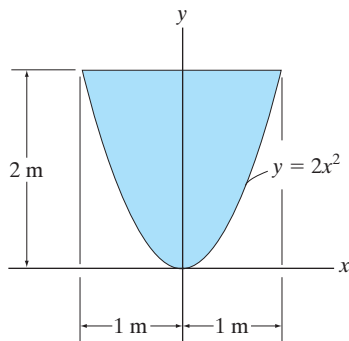
F9-1

F9-2. Determine the centroid (\bar{x}, \bar{y}) of the shaded area.



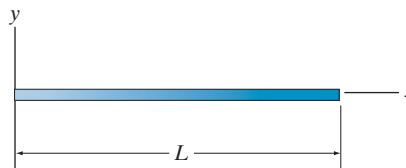
F9-2

F9-3. Determine the centroid \bar{y} of the shaded area.



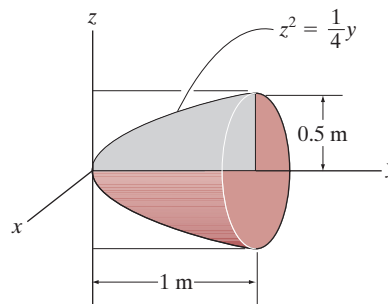
F9-3

F9-4. Locate the center mass \bar{x} of the straight rod if its mass per unit length is given by $m = m_0(1 + x^2/L^2)$.



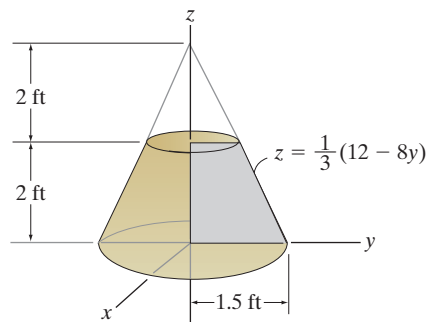
F9-4

F9-5. Locate the centroid \bar{y} of the homogeneous solid formed by revolving the shaded area about the y axis.



F9-5

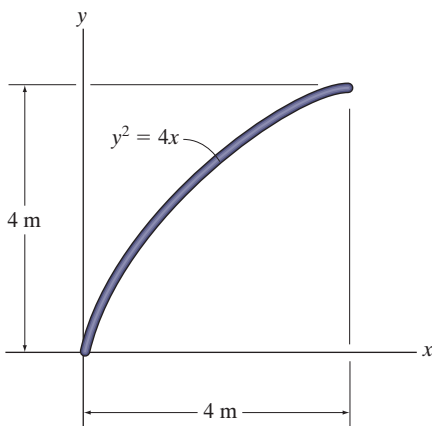
F9-6. Locate the centroid \bar{z} of the homogeneous solid formed by revolving the shaded area about the z axis.



F9-6

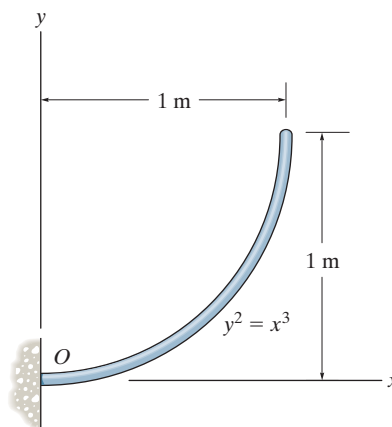
PROBLEMS

•9-1. Determine the mass and the location of the center of mass (\bar{x}, \bar{y}) of the uniform parabolic-shaped rod. The mass per unit length of the rod is 2 kg/m .



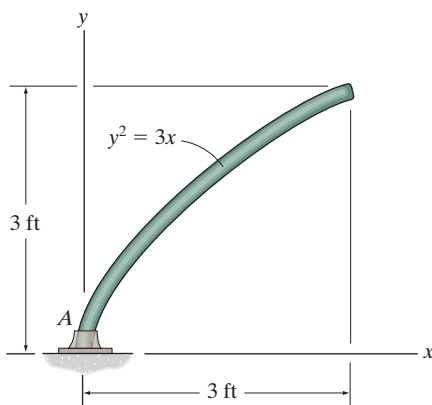
Prob. 9-1

9-3. Determine the distance \bar{x} to the center of mass of the homogeneous rod bent into the shape shown. If the rod has a mass per unit length of 0.5 kg/m , determine the reactions at the fixed support O .



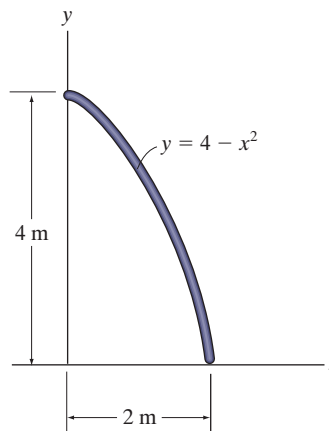
Prob. 9-3

9-2. The uniform rod is bent into the shape of a parabola and has a weight per unit length of 6 lb/ft . Determine the reactions at the fixed support A .



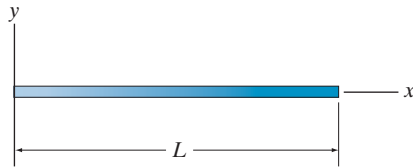
Prob. 9-2

***9-4.** Determine the mass and locate the center of mass (\bar{x}, \bar{y}) of the uniform rod. The mass per unit length of the rod is 3 kg/m .



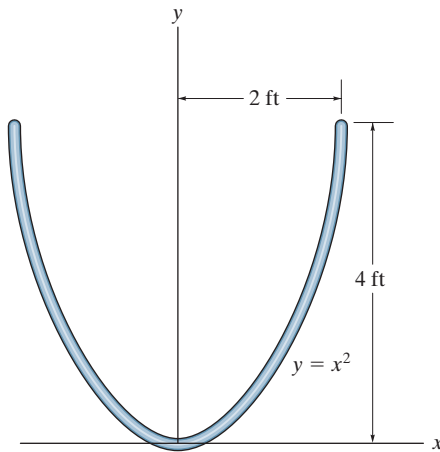
Prob. 9-4

- 9-5. Determine the mass and the location of the center of mass \bar{x} of the rod if its mass per unit length is $m = m_0(1 + x/L)$.



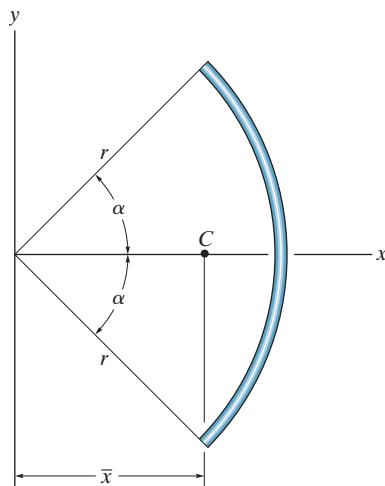
Prob. 9-5

- 9-6. Determine the location (\bar{x}, \bar{y}) of the centroid of the wire.



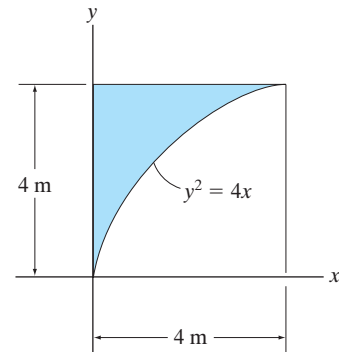
Prob. 9-6

- 9-7. Locate the centroid \bar{x} of the circular rod. Express the answer in terms of the radius r and semiarc angle α .



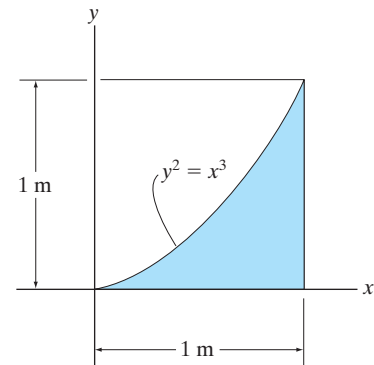
Prob. 9-7

- *9-8. Determine the area and the centroid (\bar{x}, \bar{y}) of the area.



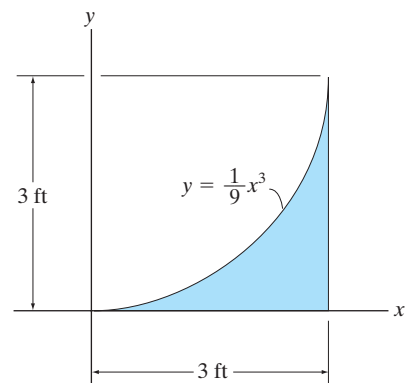
Prob. 9-8

- 9-9. Determine the area and the centroid (\bar{x}, \bar{y}) of the area.



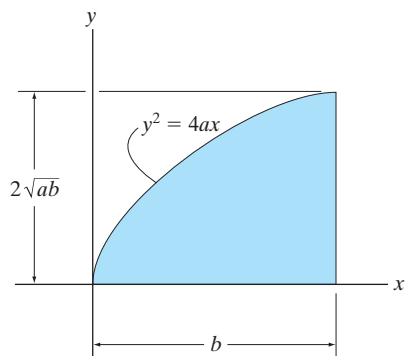
Prob. 9-9

- 9-10. Determine the area and the centroid (\bar{x}, \bar{y}) of the area.



Prob. 9-10

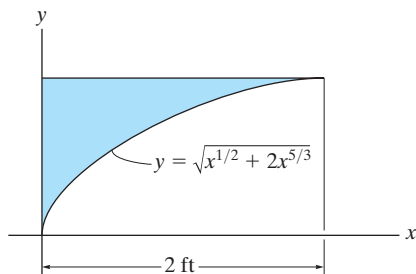
9-11. Determine the area and the centroid (\bar{x}, \bar{y}) of the area.



Prob. 9-11

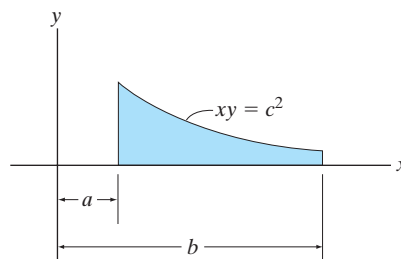
*9-12. Locate the centroid \bar{x} of the area.

9-13. Locate the centroid \bar{y} of the area.



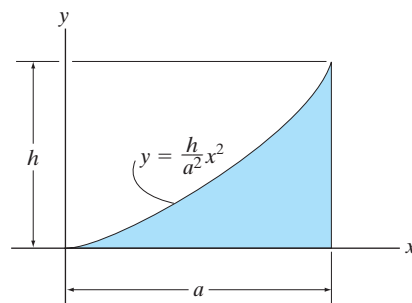
Probs. 9-12/13

9-14. Determine the area and the centroid (\bar{x}, \bar{y}) of the area.



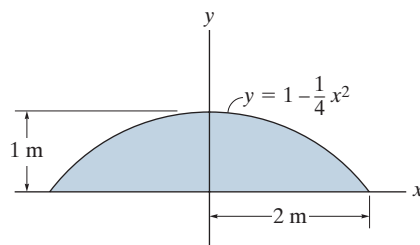
Prob. 9-14

9-15. Determine the area and the centroid (\bar{x}, \bar{y}) of the area.



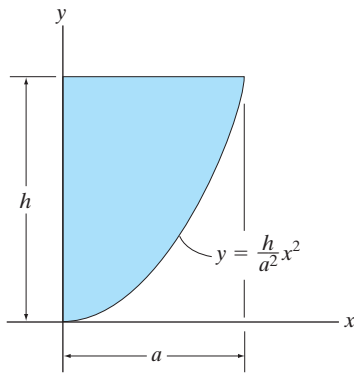
Prob. 9-15

*9-16. Locate the centroid (\bar{x}, \bar{y}) of the area.



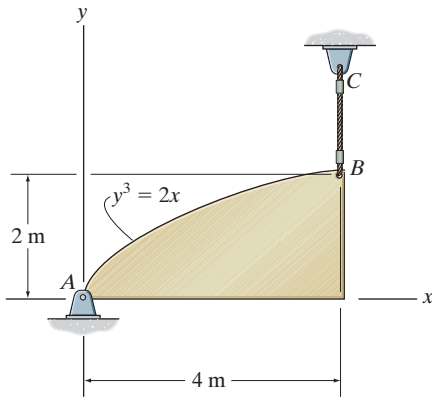
Prob. 9-16

•9-17. Determine the area and the centroid (\bar{x}, \bar{y}) of the area.



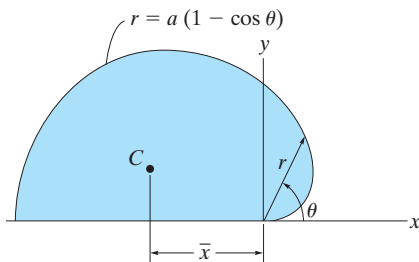
Prob. 9-17

9-18. The plate is made of steel having a density of 7850 kg/m^3 . If the thickness of the plate is 10 mm, determine the horizontal and vertical components of reaction at the pin A and the tension in cable BC .



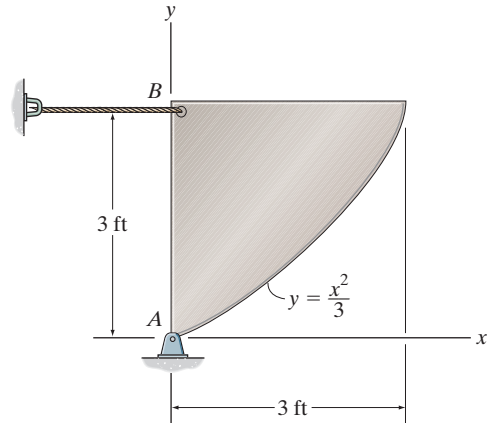
Prob. 9-18

9-19. Determine the location \bar{x} to the centroid C of the upper portion of the cardioid, $r = a(1 - \cos \theta)$.



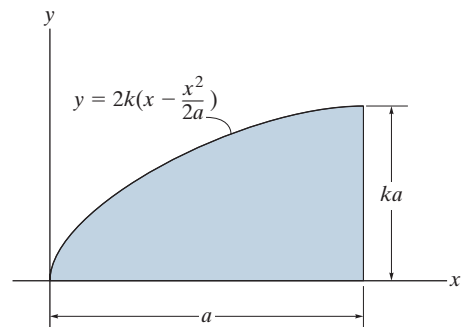
Prob. 9-19

*9-20. The plate has a thickness of 0.5 in. and is made of steel having a specific weight of 490 lb/ft^3 . Determine the horizontal and vertical components of reaction at the pin A and the force in the cord at B .



Prob. 9-20

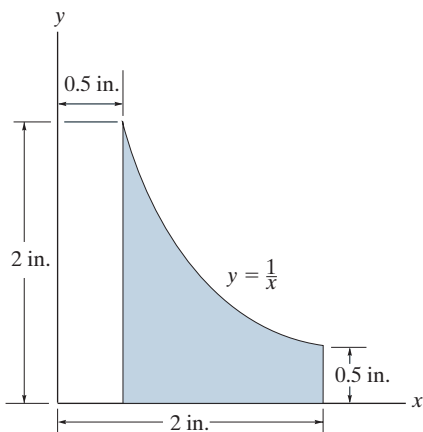
•9-21. Locate the centroid \bar{x} of the shaded area.



Prob. 9-21

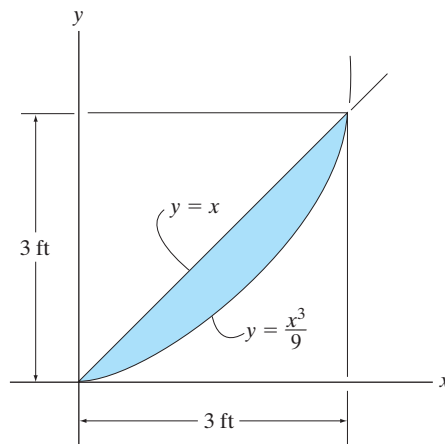
9-22. Locate the centroid \bar{x} of the area.

9-23. Locate the centroid \bar{y} of the area.



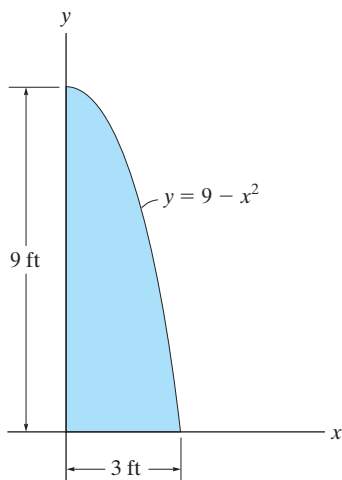
Probs. 9-22/23

•9-25. Determine the area and the centroid (\bar{x}, \bar{y}) of the area.



Prob. 9-25

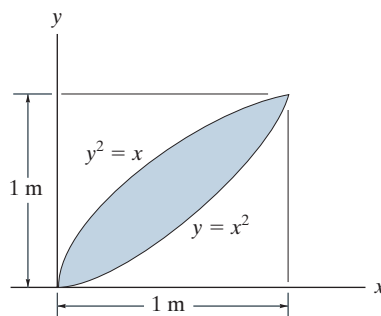
*9-24. Locate the centroid (\bar{x}, \bar{y}) of the area.



Prob. 9-24

9-26. Locate the centroid \bar{x} of the area.

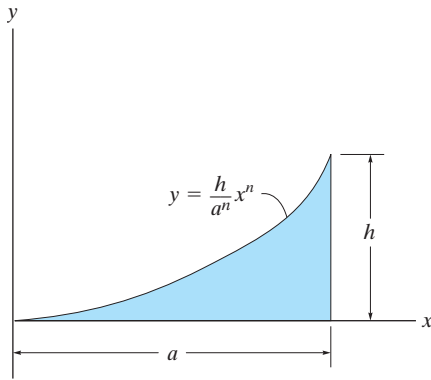
9-27. Locate the centroid \bar{y} of the area.



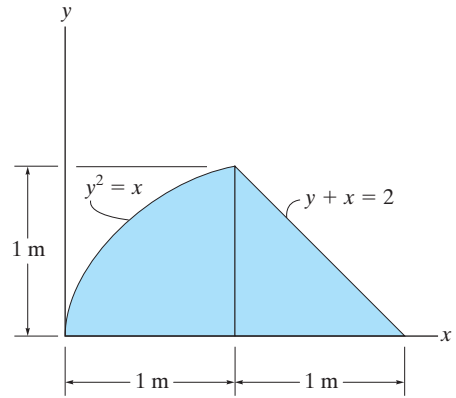
Probs. 9-26/27

*9-28. Locate the centroid \bar{x} of the area.

•9-29. Locate the centroid \bar{y} of the area.

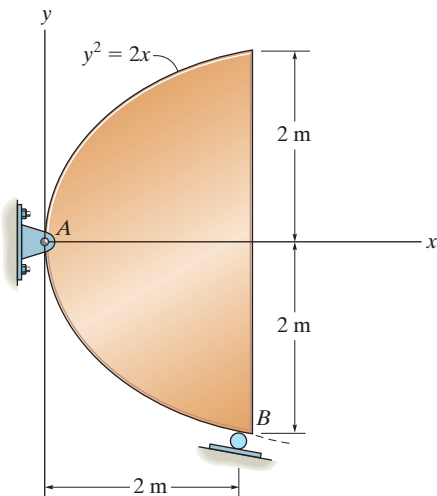


Probs. 9-28/29



Prob. 9-31

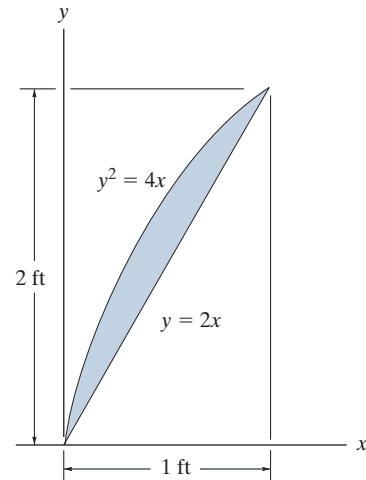
9-30. The steel plate is 0.3 m thick and has a density of 7850 kg/m^3 . Determine the location of its center of mass. Also determine the horizontal and vertical reactions at the pin and the reaction at the roller support. *Hint:* The normal force at B is perpendicular to the tangent at B , which is found from $\tan \theta = dy/dx$.



Prob. 9-30

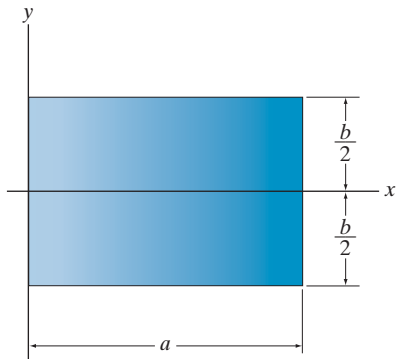
*9-32. Locate the centroid \bar{x} of the area.

•9-33. Locate the centroid \bar{y} of the area.



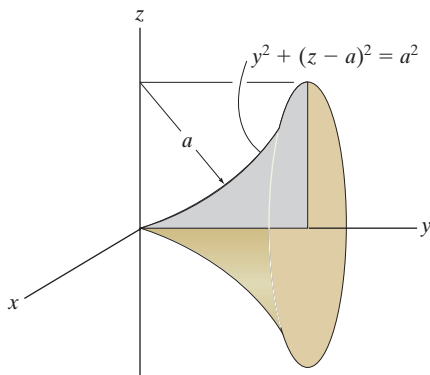
Probs. 9-32/33

9–34. If the density at any point in the rectangular plate is defined by $\rho = \rho_0(1 + x/a)$, where ρ_0 is a constant, determine the mass and locate the center of mass \bar{x} of the plate. The plate has a thickness t .



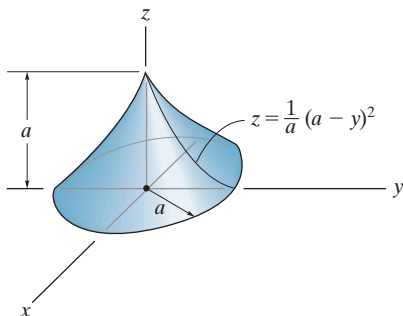
Prob. 9–34

9–35. Locate the centroid \bar{y} of the homogeneous solid formed by revolving the shaded area about the y axis.



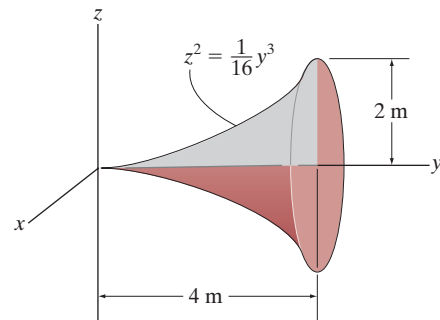
Prob. 9–35

***9–36.** Locate the centroid \bar{z} of the solid.



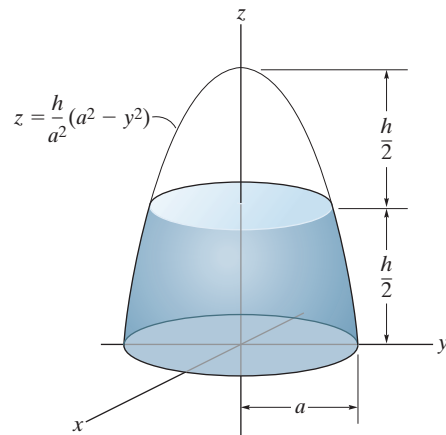
Prob. 9–36

•9–37. Locate the centroid \bar{y} of the homogeneous solid formed by revolving the shaded area about the y axis.



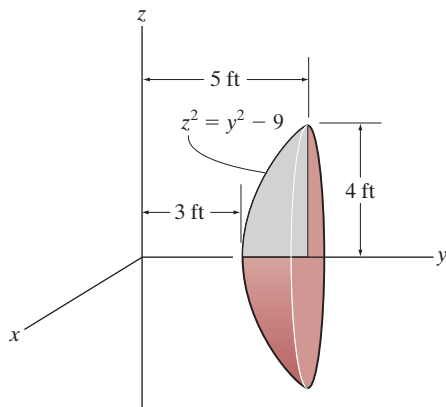
Prob. 9–37

9–38. Locate the centroid \bar{z} of the homogeneous solid frustum of the paraboloid formed by revolving the shaded area about the z axis.



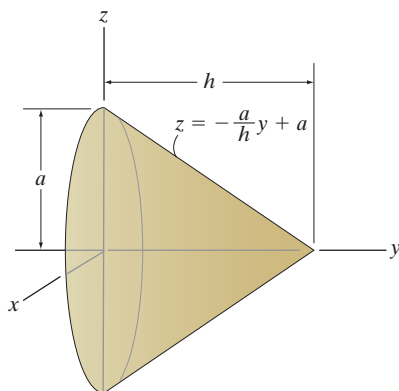
Prob. 9–38

9–39. Locate the centroid \bar{y} of the homogeneous solid formed by revolving the shaded area about the y axis.



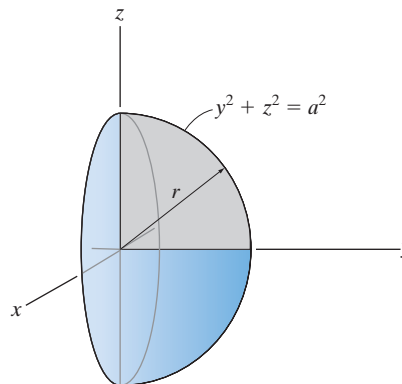
Prob. 9–39

***9–40.** Locate the center of mass \bar{y} of the circular cone formed by revolving the shaded area about the y axis. The density at any point in the cone is defined by $\rho = (\rho_0/h)y$, where ρ_0 is a constant.



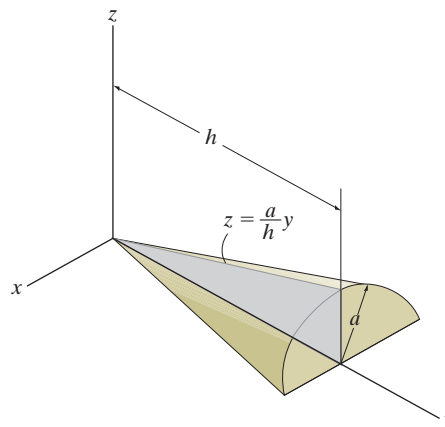
Prob. 9–40

•9–41. Determine the mass and locate the center of mass \bar{y} of the hemisphere formed by revolving the shaded area about the y axis. The density at any point in the hemisphere can be defined by $\rho = \rho_0(1 + y/a)$, where ρ_0 is a constant.



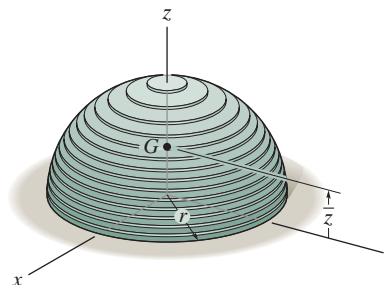
Prob. 9–41

9–42. Determine the volume and locate the centroid (\bar{y}, \bar{z}) of the homogeneous conical wedge.



Prob. 9–42

9–43. The hemisphere of radius r is made from a stack of very thin plates such that the density varies with height, $\rho = kz$, where k is a constant. Determine its mass and the distance \bar{z} to the center of mass G .



Prob. 9–43

9.2 Composite Bodies

A *composite body* consists of a series of connected “simpler” shaped bodies, which may be rectangular, triangular, semicircular, etc. Such a body can often be sectioned or divided into its composite parts and, provided the *weight* and location of the center of gravity of each of these parts are known, we can then eliminate the need for integration to determine the center of gravity for the entire body. The method for doing this follows the same procedure outlined in Sec. 9.1. Formulas analogous to Eqs. 9–1 result; however, rather than account for an infinite number of differential weights, we have instead a finite number of weights. Therefore,

$$\bar{x} = \frac{\sum \tilde{x}W}{\Sigma W} \quad \bar{y} = \frac{\sum \tilde{y}W}{\Sigma W} \quad \bar{z} = \frac{\sum \tilde{z}W}{\Sigma W} \quad (9-6)$$

Here

$\bar{x}, \bar{y}, \bar{z}$ represent the coordinates of the center of gravity G of the composite body.

$\tilde{x}, \tilde{y}, \tilde{z}$ represent the coordinates of the center of gravity of each composite part of the body.

ΣW is the sum of the weights of all the composite parts of the body, or simply the total weight of the body.

When the body has a *constant density or specific weight*, the center of gravity *coincides* with the centroid of the body. The centroid for composite lines, areas, and volumes can be found using relations analogous to Eqs. 9–6; however, the W 's are replaced by L 's, A 's, and V 's, respectively. Centroids for common shapes of lines, areas, shells, and volumes that often make up a composite body are given in the table on the inside back cover.



In order to determine the force required to tip over this concrete barrier it is first necessary to determine the location of its center of gravity G . Due to symmetry, G will lie on the vertical axis of symmetry.

Procedure for Analysis

The location of the center of gravity of a body or the centroid of a composite geometrical object represented by a line, area, or volume can be determined using the following procedure.

Composite Parts.

- Using a sketch, divide the body or object into a finite number of composite parts that have simpler shapes.
- If a composite body has a *hole*, or a geometric region having no material, then consider the composite body without the hole and consider the hole as an *additional* composite part having *negative* weight or size.

Moment Arms.

- Establish the coordinate axes on the sketch and determine the coordinates \tilde{x} , \tilde{y} , \tilde{z} of the center of gravity or centroid of each part.

Summations.

- Determine \bar{x} , \bar{y} , \bar{z} by applying the center of gravity equations, Eqs. 9–6, or the analogous centroid equations.
- If an object is *symmetrical* about an axis, the centroid of the object lies on this axis.

If desired, the calculations can be arranged in tabular form, as indicated in the following three examples.



The center of gravity of this water tank can be determined by dividing it into composite parts and applying Eqs. 9–6.

EXAMPLE 9.9

Locate the centroid of the wire shown in Fig. 9–16a.

SOLUTION

Composite Parts. The wire is divided into three segments as shown in Fig. 9–16b.

Moment Arms. The location of the centroid for each segment is determined and indicated in the figure. In particular, the centroid of segment ① is determined either by integration or by using the table on the inside back cover.

Summations. For convenience, the calculations can be tabulated as follows:

Segment	L (mm)	\tilde{x} (mm)	\tilde{y} (mm)	\tilde{z} (mm)	$\tilde{x}L$ (mm ²)	$\tilde{y}L$ (mm ²)	$\tilde{z}L$ (mm ²)
1	$\pi(60) = 188.5$	60	-38.2	0	11 310	-7200	0
2	40	0	20	0	0	800	0
3	20	0	40	-10	0	800	-200
	$\Sigma L = 248.5$				$\Sigma \tilde{x}L = 11\,310$	$\Sigma \tilde{y}L = -5600$	$\Sigma \tilde{z}L = -200$

Thus,

$$\bar{x} = \frac{\Sigma \tilde{x}L}{\Sigma L} = \frac{11\,310}{248.5} = 45.5 \text{ mm} \quad \text{Ans.}$$

$$\bar{y} = \frac{\Sigma \tilde{y}L}{\Sigma L} = \frac{-5600}{248.5} = -22.5 \text{ mm} \quad \text{Ans.}$$

$$\bar{z} = \frac{\Sigma \tilde{z}L}{\Sigma L} = \frac{-200}{248.5} = -0.805 \text{ mm} \quad \text{Ans.}$$

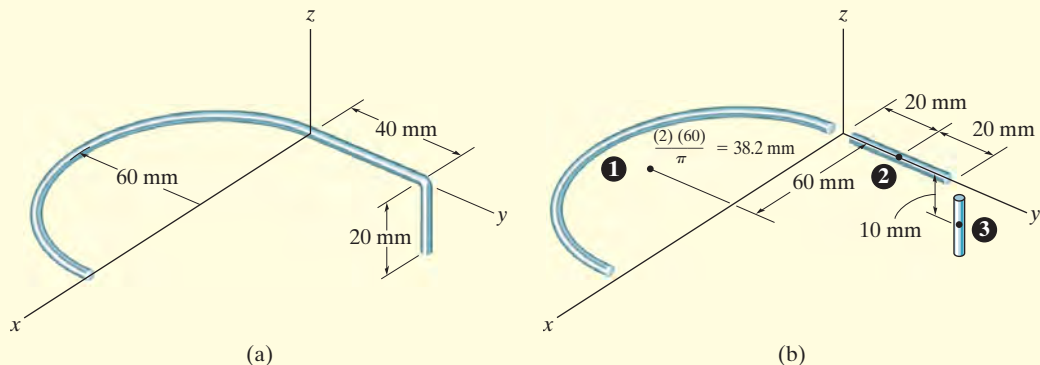


Fig. 9–16

EXAMPLE 9.10

Locate the centroid of the plate area shown in Fig. 9–17a.

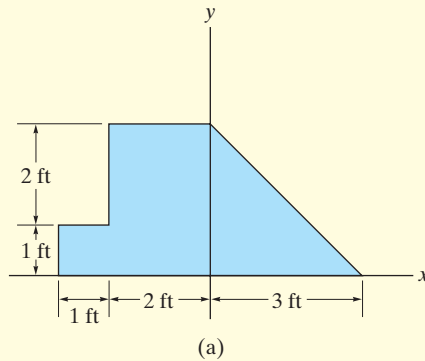


Fig. 9–17

SOLUTION

Composite Parts. The plate is divided into three segments as shown in Fig. 9–17b. Here the area of the small rectangle ③ is considered “negative” since it must be subtracted from the larger one ②.

Moment Arms. The centroid of each segment is located as indicated in the figure. Note that the \tilde{x} coordinates of ② and ③ are negative.

Summations. Taking the data from Fig. 9–17b, the calculations are tabulated as follows:

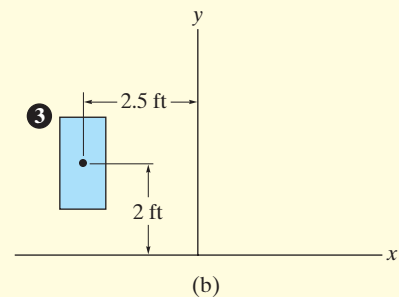
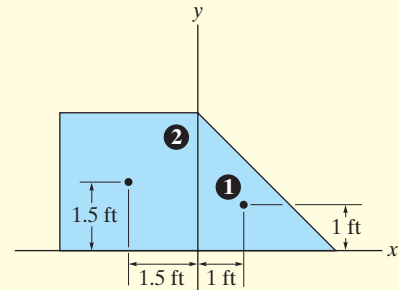
Segment	A (ft ²)	\tilde{x} (ft)	\tilde{y} (ft)	$\tilde{x}A$ (ft ³)	$\tilde{y}A$ (ft ³)
1	$\frac{1}{2}(3)(3) = 4.5$	1	1	4.5	4.5
2	$(3)(3) = 9$	-1.5	1.5	-13.5	13.5
3	$-(2)(1) = -2$	-2.5	2	5	-4
$\Sigma A = 11.5$				$\Sigma \tilde{x}A = -4$	$\Sigma \tilde{y}A = 14$

Thus,

$$\bar{x} = \frac{\Sigma \tilde{x}A}{\Sigma A} = \frac{-4}{11.5} = -0.348 \text{ ft} \quad \text{Ans.}$$

$$\bar{y} = \frac{\Sigma \tilde{y}A}{\Sigma A} = \frac{14}{11.5} = 1.22 \text{ ft} \quad \text{Ans.}$$

NOTE: If these results are plotted in Fig. 9–17, the location of point C seems reasonable.



EXAMPLE 9.11

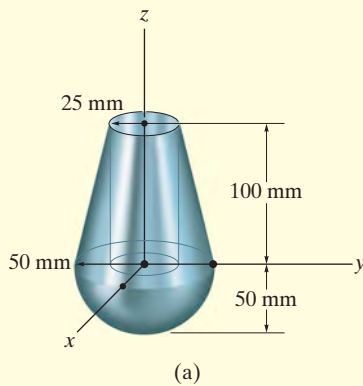


Fig. 9-18

Locate the center of mass of the assembly shown in Fig. 9-18a. The conical frustum has a density of $\rho_c = 8 \text{ Mg/m}^3$, and the hemisphere has a density of $\rho_h = 4 \text{ Mg/m}^3$. There is a 25-mm-radius cylindrical hole in the center of the frustum.

SOLUTION

Composite Parts. The assembly can be thought of as consisting of four segments as shown in Fig. 9-18b. For the calculations, (3) and (4) must be considered as “negative” segments in order that the four segments, when added together, yield the total composite shape shown in Fig. 9-18a.

Moment Arm. Using the table on the inside back cover, the computations for the centroid \tilde{z} of each piece are shown in the figure.

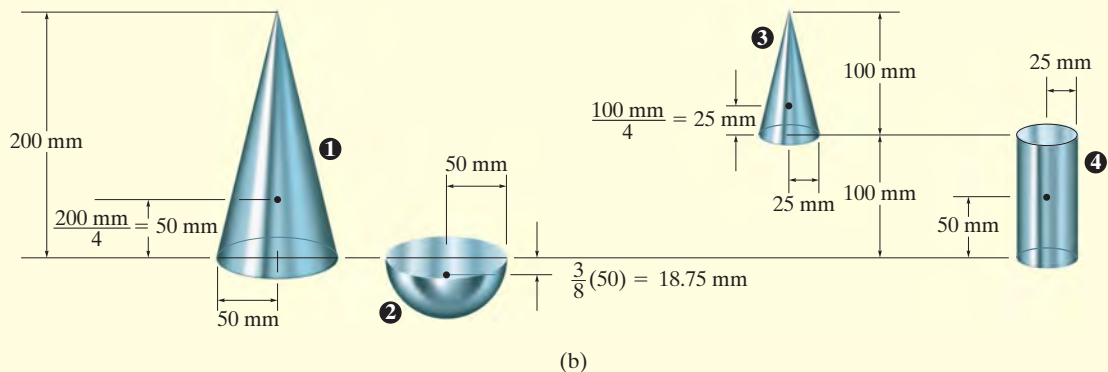
Summations. Because of *symmetry*, note that

$$\bar{x} = \bar{y} = 0 \quad \text{Ans.}$$

Since $W = mg$, and g is constant, the third of Eqs. 9-6 becomes $\bar{z} = \Sigma \tilde{z}m / \Sigma m$. The mass of each piece can be computed from $m = \rho V$ and used for the calculations. Also, $1 \text{ Mg/m}^3 = 10^{-6} \text{ kg/mm}^3$, so that

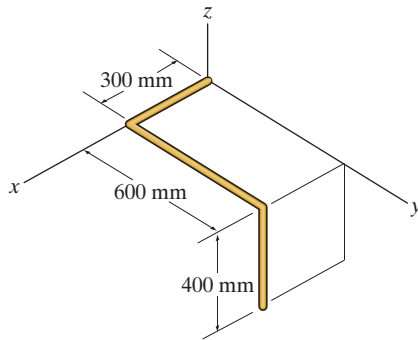
Segment	m (kg)	\tilde{z} (mm)	$\tilde{z}m$ (kg · mm)
1	$8(10^{-6})(\frac{1}{3})\pi(50)^2(200) = 4.189$	50	209.440
2	$4(10^{-6})(\frac{2}{3})\pi(50)^3 = 1.047$	-18.75	-19.635
3	$-8(10^{-6})(\frac{1}{3})\pi(25)^2(100) = -0.524$	$100 + 25 = 125$	-65.450
4	$-8(10^{-6})\pi(25)^2(100) = -1.571$	50	-78.540
	$\Sigma m = 3.142$		$\Sigma \tilde{z}m = 45.815$

Thus,
$$\bar{z} = \frac{\Sigma \tilde{z}m}{\Sigma m} = \frac{45.815}{3.142} = 14.6 \text{ mm} \quad \text{Ans.}$$



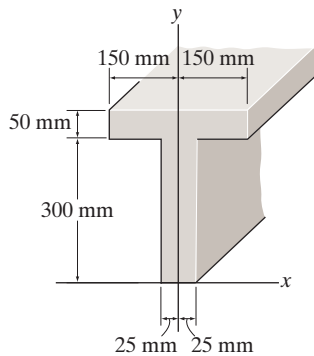
FUNDAMENTAL PROBLEMS

F9-7. Locate the centroid $(\bar{x}, \bar{y}, \bar{z})$ of the wire bent in the shape shown.



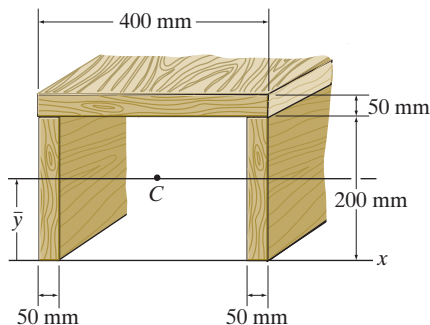
F9-7

F9-8. Locate the centroid \bar{y} of the beam's cross-sectional area.



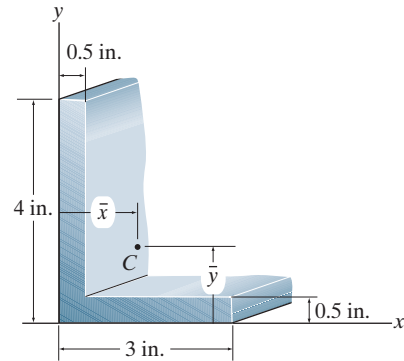
F9-8

F9-9. Locate the centroid \bar{y} of the beam's cross-sectional area.



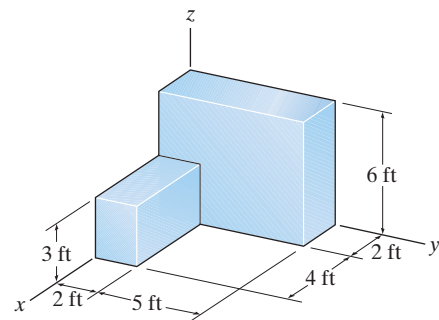
F9-9

F9-10. Locate the centroid (\bar{x}, \bar{y}) of the cross-sectional area.



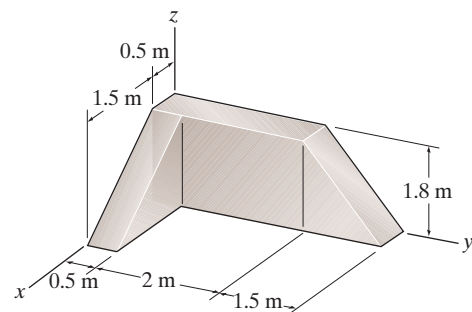
F9-10

F9-11. Locate the center of mass $(\bar{x}, \bar{y}, \bar{z})$ of the homogeneous solid block.



F9-11

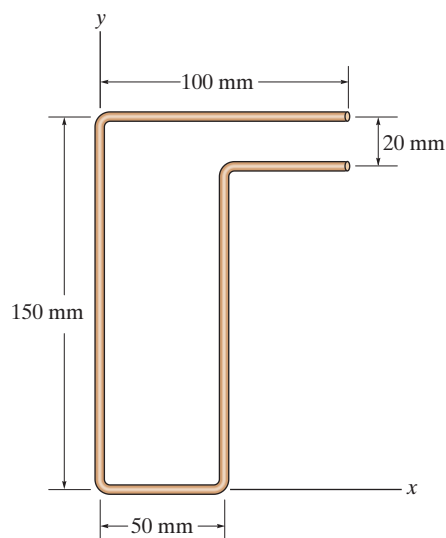
F9-12. Determine the center of mass $(\bar{x}, \bar{y}, \bar{z})$ of the homogeneous solid block.



F9-12

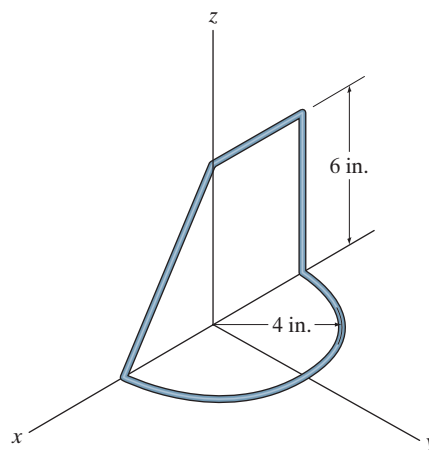
PROBLEMS

***9-44.** Locate the centroid (\bar{x}, \bar{y}) of the uniform wire bent in the shape shown.



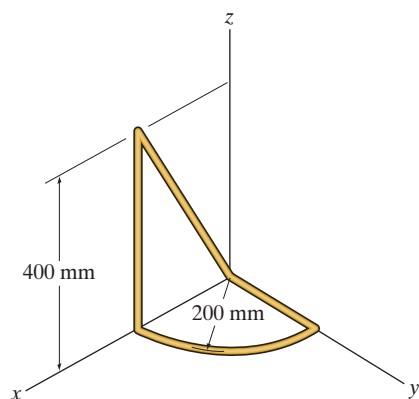
Prob. 9-44

9-46. Locate the centroid $(\bar{x}, \bar{y}, \bar{z})$ of the wire.



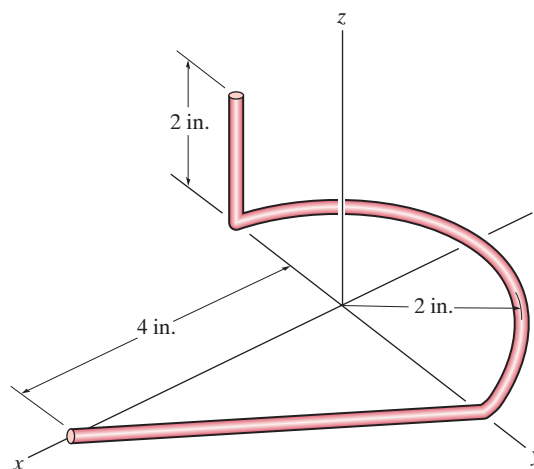
Prob. 9-46

•9-45. Locate the centroid $(\bar{x}, \bar{y}, \bar{z})$ of the wire.



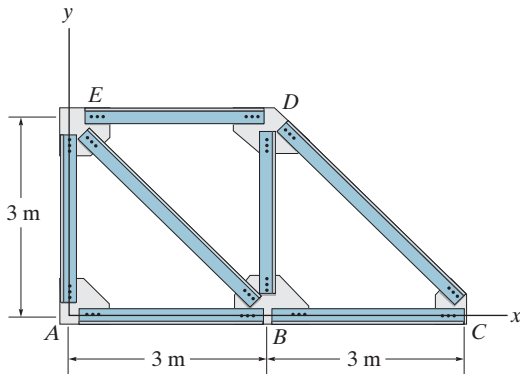
Prob. 9-45

9-47. Locate the centroid $(\bar{x}, \bar{y}, \bar{z})$ of the wire which is bent in the shape shown.



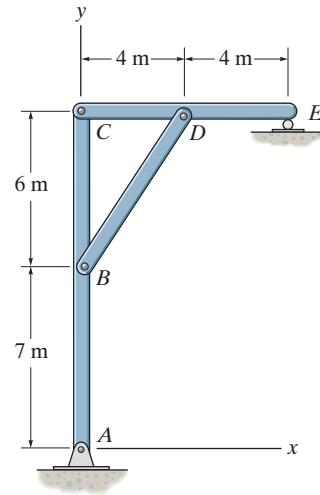
Prob. 9-47

*9-48. The truss is made from seven members, each having a mass per unit length of 6 kg/m . Locate the position (\bar{x}, \bar{y}) of the center of mass. Neglect the mass of the gusset plates at the joints.



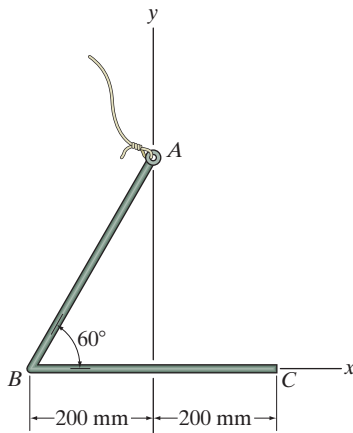
Prob. 9-48

9-50. Each of the three members of the frame has a mass per unit length of 6 kg/m . Locate the position (\bar{x}, \bar{y}) of the center of mass. Neglect the size of the pins at the joints and the thickness of the members. Also, calculate the reactions at the pin A and roller E .



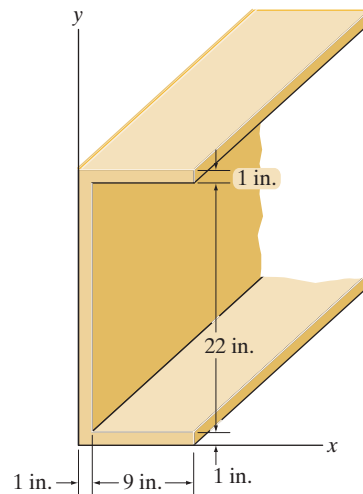
Prob. 9-50

•9-49. Locate the centroid (\bar{x}, \bar{y}) of the wire. If the wire is suspended from A , determine the angle segment AB makes with the vertical when the wire is in equilibrium.



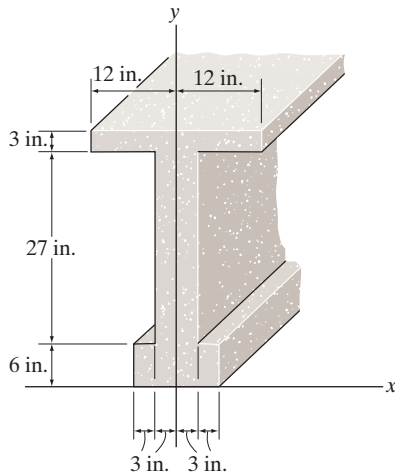
Prob. 9-49

9-51. Locate the centroid (\bar{x}, \bar{y}) of the cross-sectional area of the channel.



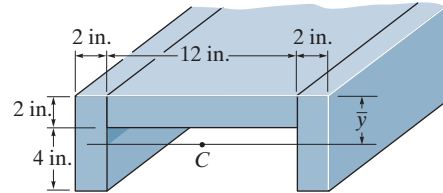
Prob. 9-51

*9-52. Locate the centroid \bar{y} of the cross-sectional area of the concrete beam.



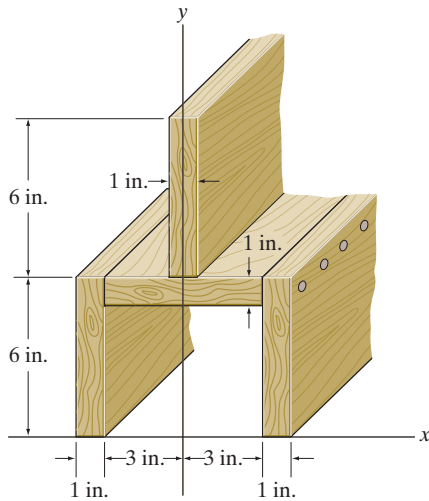
Prob. 9-52

9-54. Locate the centroid \bar{y} of the channel's cross-sectional area.



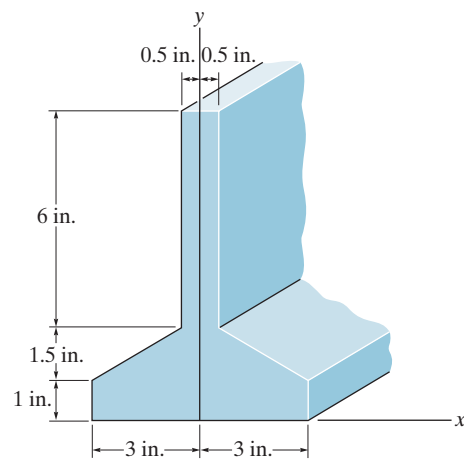
Prob. 9-54

•9-53. Locate the centroid \bar{y} of the cross-sectional area of the built-up beam.



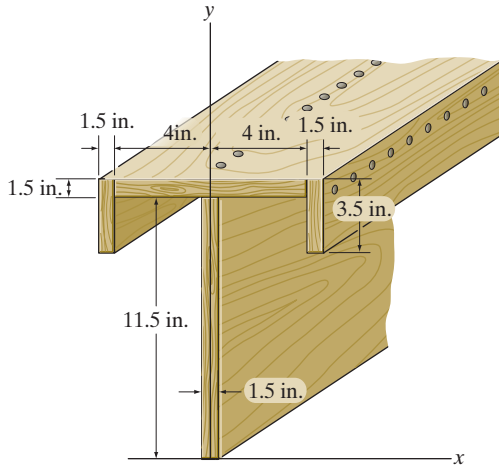
Prob. 9-53

9-55. Locate the distance \bar{y} to the centroid of the member's cross-sectional area.



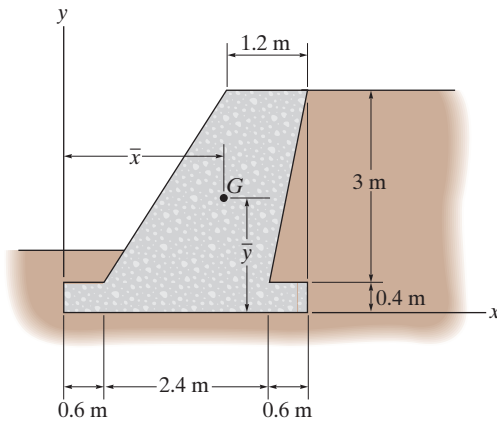
Prob. 9-55

*9-56. Locate the centroid \bar{y} of the cross-sectional area of the built-up beam.



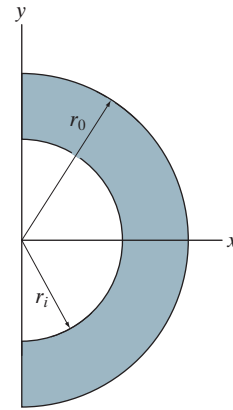
Prob. 9-56

•9-57. The gravity wall is made of concrete. Determine the location (\bar{x}, \bar{y}) of the center of mass G for the wall.



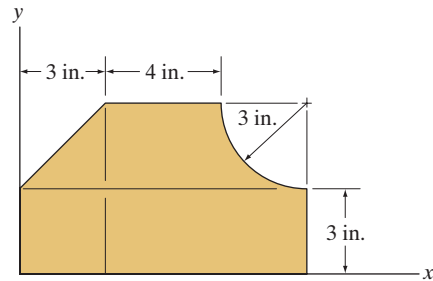
Prob. 9-57

9-58. Locate the centroid \bar{x} of the composite area.



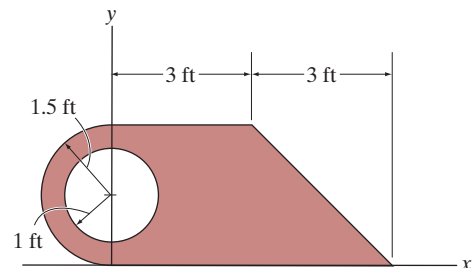
Prob. 9-58

9-59. Locate the centroid (\bar{x}, \bar{y}) of the composite area.



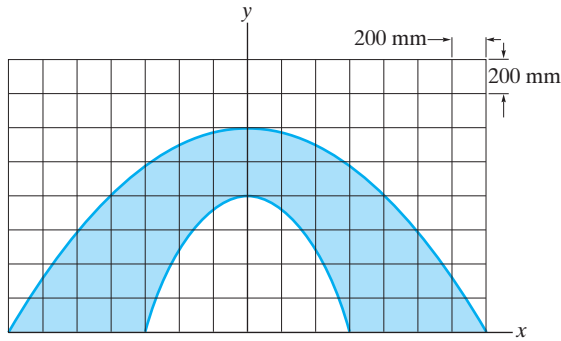
Prob. 9-59

*9-60. Locate the centroid (\bar{x}, \bar{y}) of the composite area.



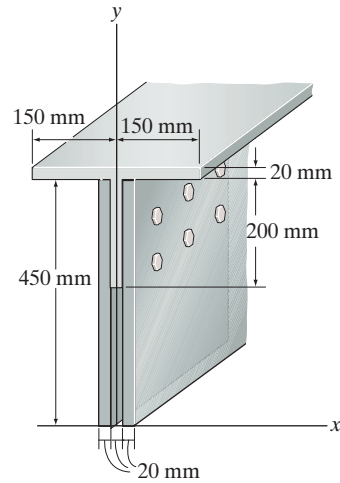
Prob. 9-60

•9-61. Divide the plate into parts, and using the grid for measurement, determine approximately the location (\bar{x}, \bar{y}) of the centroid of the plate.



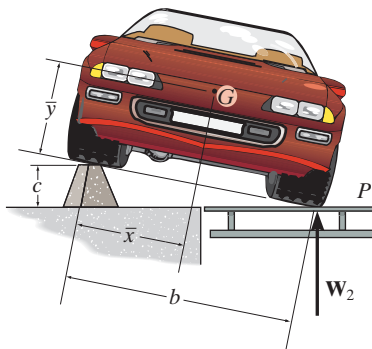
Prob. 9-61

9-63. Locate the centroid \bar{y} of the cross-sectional area of the built-up beam.



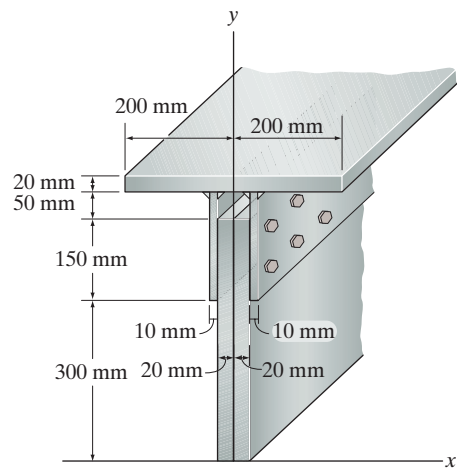
Prob. 9-63

9-62. To determine the location of the center of gravity of the automobile it is first placed in a *level position*, with the two wheels on one side resting on the scale platform P . In this position the scale records a reading of W_1 . Then, one side is elevated to a convenient height c as shown. The new reading on the scale is W_2 . If the automobile has a total weight of W , determine the location of its center of gravity $G(\bar{x}, \bar{y})$.



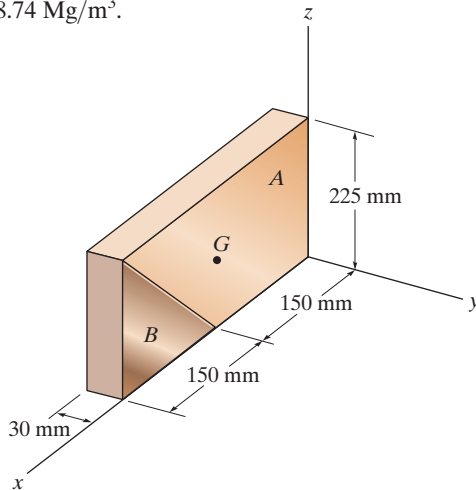
Prob. 9-62

*9-64. Locate the centroid \bar{y} of the cross-sectional area of the built-up beam.



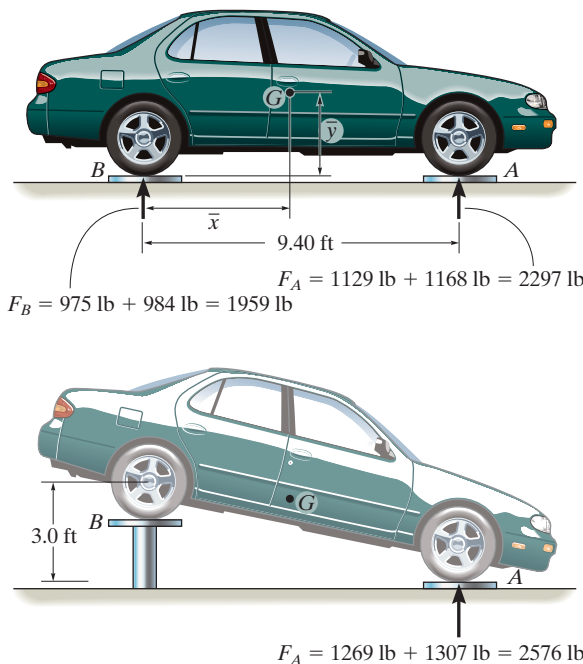
Prob. 9-64

•9-65. The composite plate is made from both steel (A) and brass (B) segments. Determine the mass and location $(\bar{x}, \bar{y}, \bar{z})$ of its mass center G . Take $\rho_{st} = 7.85 \text{ Mg/m}^3$ and $\rho_{br} = 8.74 \text{ Mg/m}^3$.



Prob. 9-65

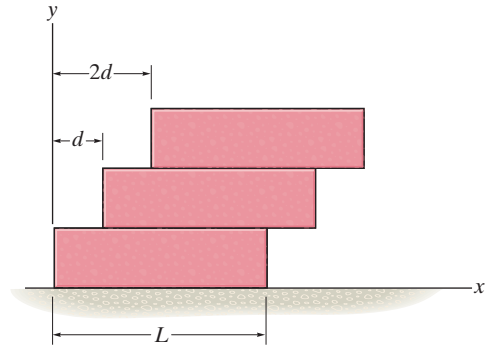
9-66. The car rests on four scales and in this position the scale readings of both the front and rear tires are shown by F_A and F_B . When the rear wheels are elevated to a height of 3 ft above the front scales, the new readings of the front wheels are also recorded. Use this data to compute the location \bar{x} and \bar{y} to the center of gravity G of the car. The tires each have a diameter of 1.98 ft.



Prob. 9-66

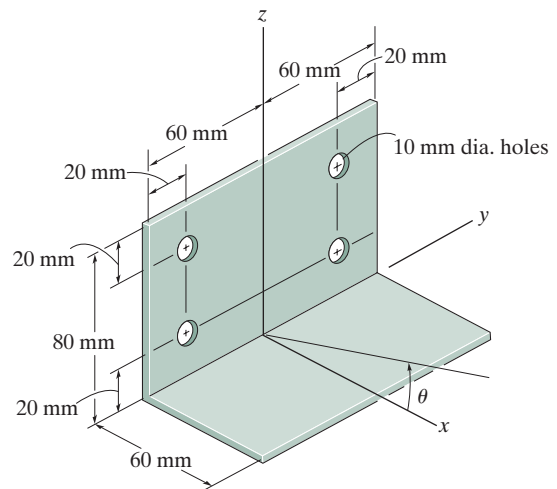
9-67. Uniform blocks having a length L and mass m are stacked one on top of the other, with each block overhanging the other by a distance d , as shown. If the blocks are glued together, so that they will not topple over, determine the location \bar{x} of the center of mass of a pile of n blocks.

*9-68. Uniform blocks having a length L and mass m are stacked one on top of the other, with each block overhanging the other by a distance d , as shown. Show that the maximum number of blocks which can be stacked in this manner is $n < L/d$.



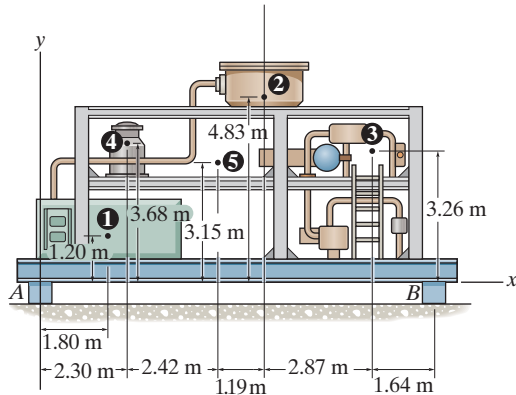
Probs. 9-67/68

•9-69. Locate the center of gravity (\bar{x}, \bar{z}) of the sheet-metal bracket if the material is homogeneous and has a constant thickness. If the bracket is resting on the horizontal x - y plane shown, determine the maximum angle of tilt θ which it can have before it falls over, i.e., begins to rotate about the y axis.



Prob. 9-60

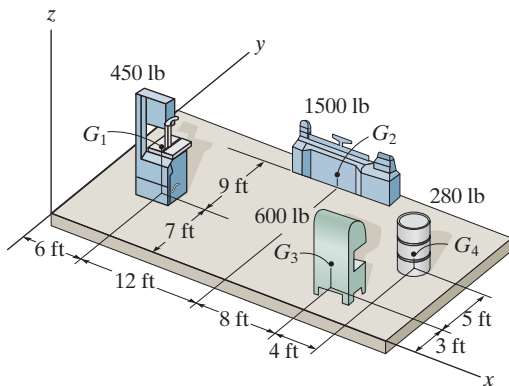
9-70. Locate the center of mass for the compressor assembly. The locations of the centers of mass of the various components and their masses are indicated and tabulated in the figure. What are the vertical reactions at blocks *A* and *B* needed to support the platform?



❶ Instrument panel	230 kg
❷ Filter system	183 kg
❸ Piping assembly	120 kg
❹ Liquid storage	85 kg
❺ Structural framework	468 kg

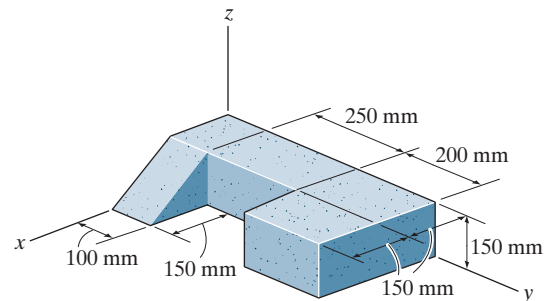
Prob. 9-70

9-71. Major floor loadings in a shop are caused by the weights of the objects shown. Each force acts through its respective center of gravity *G*. Locate the center of gravity (\bar{x} , \bar{y}) of all these components.



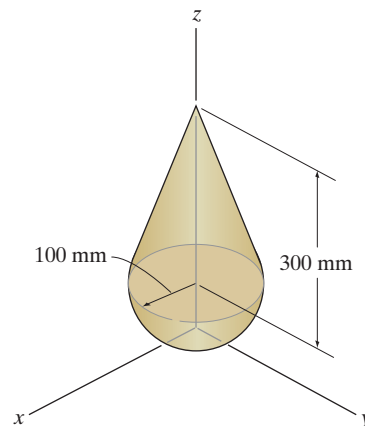
Prob. 9-71

***9-72.** Locate the center of mass (\bar{x} , \bar{y} , \bar{z}) of the homogeneous block assembly.



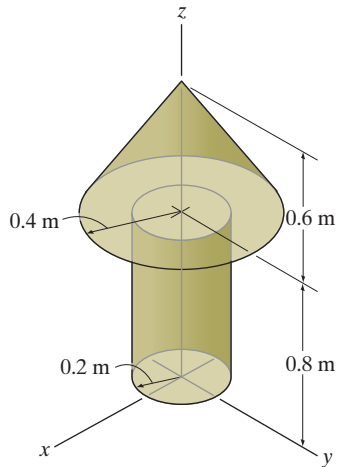
Prob. 9-72

•9-73. Locate the center of mass \bar{z} of the assembly. The hemisphere and the cone are made from materials having densities of 8 Mg/m^3 and 4 Mg/m^3 , respectively.



Prob. 9-73

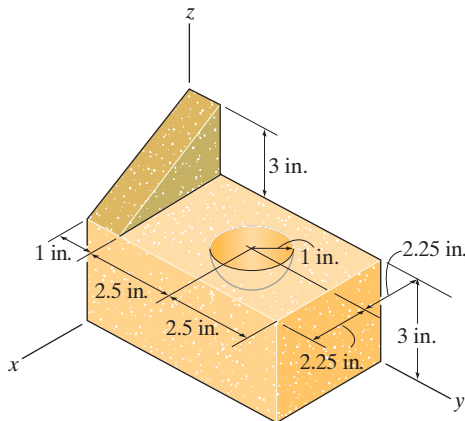
9-74. Locate the center of mass \bar{z} of the assembly. The cylinder and the cone are made from materials having densities of 5 Mg/m^3 and 9 Mg/m^3 , respectively.



Prob. 9-74

9-75. Locate the center of gravity $(\bar{x}, \bar{y}, \bar{z})$ of the homogeneous block assembly having a hemispherical hole.

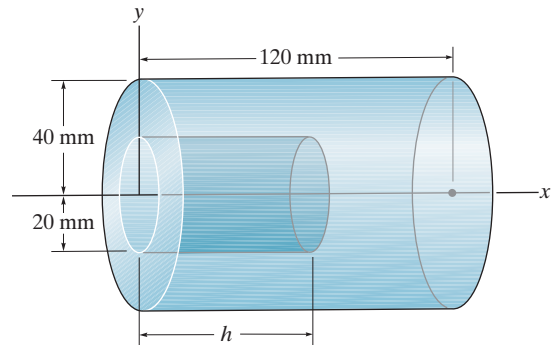
***9-76.** Locate the center of gravity $(\bar{x}, \bar{y}, \bar{z})$ of the assembly. The triangular and the rectangular blocks are made from materials having specific weights of 0.25 lb/in^3 and 0.1 lb/in^3 , respectively.



Probs. 9-75/76

***9-77.** Determine the distance \bar{x} to the centroid of the solid which consists of a cylinder with a hole of length $h = 50 \text{ mm}$ bored into its base.

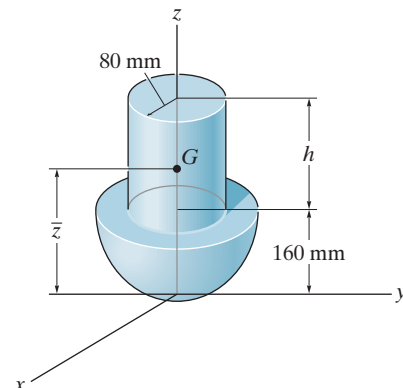
9-78. Determine the distance h to which a hole must be bored into the cylinder so that the center of mass of the assembly is located at $\bar{x} = 64 \text{ mm}$. The material has a density of 8 Mg/m^3 .



Probs. 9-77/78

9-79. The assembly is made from a steel hemisphere, $\rho_{st} = 7.80 \text{ Mg/m}^3$, and an aluminum cylinder, $\rho_{al} = 2.70 \text{ Mg/m}^3$. Determine the mass center of the assembly if the height of the cylinder is $h = 200 \text{ mm}$.

***9-80.** The assembly is made from a steel hemisphere, $\rho_{st} = 7.80 \text{ Mg/m}^3$, and an aluminum cylinder, $\rho_{al} = 2.70 \text{ Mg/m}^3$. Determine the height h of the cylinder so that the mass center of the assembly is located at $\bar{z} = 160 \text{ mm}$.



Probs. 9-79/80

*9.3 Theorems of Pappus and Guldinus

The two *theorems of Pappus and Guldinus* are used to find the surface area and volume of any body of revolution. They were first developed by Pappus of Alexandria during the fourth century A.D. and then restated at a later time by the Swiss mathematician Paul Guldin or Guldinus (1577–1643).

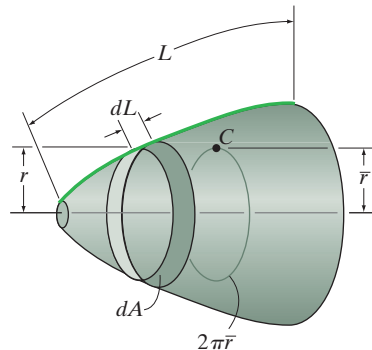


Fig. 9–19



The amount of roofing material used on this storage building can be estimated by using the first theorem of Pappus and Guldinus to determine its surface area.

Surface Area. If we revolve a *plane curve* about an axis that does not intersect the curve we will generate a *surface area of revolution*. For example, the surface area in Fig. 9–19 is formed by revolving the curve of length L about the horizontal axis. To determine this surface area, we will first consider the differential line element of length dL . If this element is revolved 2π radians about the axis, a ring having a surface area of $dA = 2\pi r dL$ will be generated. Thus, the surface area of the entire body is $A = 2\pi \int r dL$. Since $\int r dL = \bar{r}L$ (Eq. 9–5), then $A = 2\pi\bar{r}L$. If the curve is revolved only through an angle θ (radians), then

$$A = \theta\bar{r}L \quad (9-7)$$

where

A = surface area of revolution

θ = angle of revolution measured in radians, $\theta \leq 2\pi$

\bar{r} = perpendicular distance from the axis of revolution to the centroid of the generating curve

L = length of the generating curve

Therefore the first theorem of Pappus and Guldinus states that *the area of a surface of revolution equals the product of the length of the generating curve and the distance traveled by the centroid of the curve in generating the surface area.*

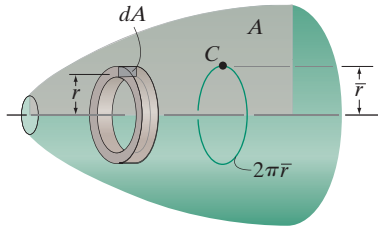


Fig. 9-20

Volume. A volume can be generated by revolving a plane area about an axis that does not intersect the area. For example, if we revolve the shaded area A in Fig. 9-20 about the horizontal axis, it generates the volume shown. This volume can be determined by first revolving the differential element of area dA 2π radians about the axis, so that a ring having the volume $dV = 2\pi r dA$ is generated. The entire volume is then $V = 2\pi \int r dA$. However, $\int r dA = \bar{r}A$, Eq. 9-4, so that $V = 2\pi \bar{r}A$. If the area is only revolved through an angle θ (radians), then

$$V = \theta \bar{r}A \quad (9-8)$$

where

V = volume of revolution

θ = angle of revolution measured in radians, $\theta \leq 2\pi$

\bar{r} = perpendicular distance from the axis of revolution to the centroid of the generating area

A = generating area

Therefore the second theorem of Pappus and Guldinus states that *the volume of a body of revolution equals the product of the generating area and the distance traveled by the centroid of the area in generating the volume.*

Composite Shapes. We may also apply the above two theorems to lines or areas that are composed of a series of composite parts. In this case the total surface area or volume generated is the addition of the surface areas or volumes generated by each of the composite parts. If the perpendicular distance from the axis of revolution to the centroid of each composite part is \tilde{r} , then

$$A = \theta \Sigma(\tilde{r}L) \quad (9-9)$$

and

$$V = \theta \Sigma(\tilde{r}A) \quad (9-10)$$

Application of the above theorems is illustrated numerically in the following examples.



The volume of fertilizer contained within this silo can be determined using the second theorem of Pappus and Guldinus.

EXAMPLE 9.12

Show that the surface area of a sphere is $A = 4\pi R^2$ and its volume is $V = \frac{4}{3}\pi R^3$.

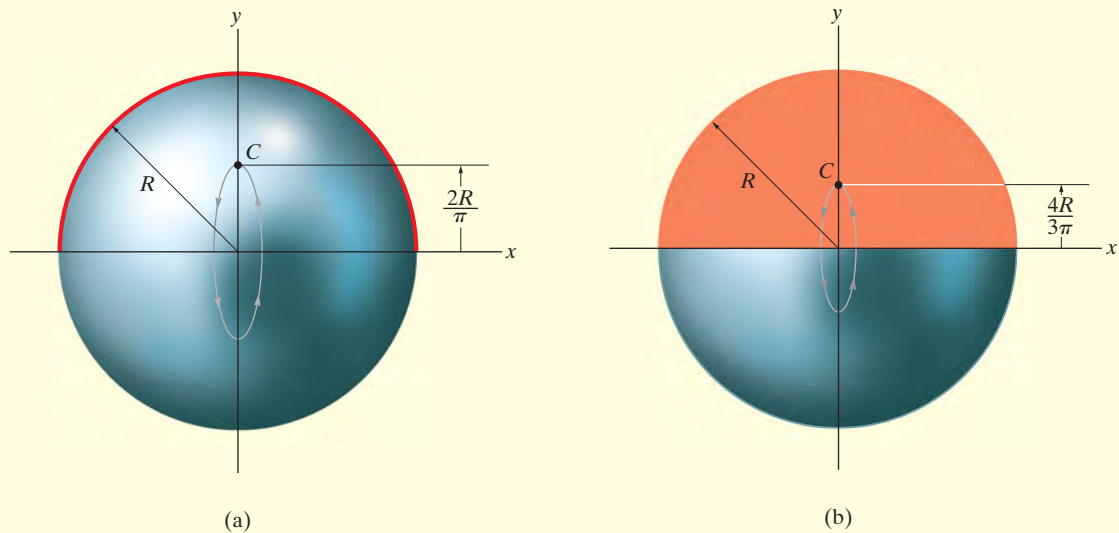


Fig. 9-21

SOLUTION

Surface Area. The surface area of the sphere in Fig. 9-21a is generated by revolving a semicircular *arc* about the x axis. Using the table on the inside back cover, it is seen that the centroid of this arc is located at a distance $\bar{r} = 2R/\pi$ from the axis of revolution (x axis). Since the centroid moves through an angle of $\theta = 2\pi$ rad to generate the sphere, then applying Eq. 9-7 we have

$$A = \theta \bar{r} L; \quad A = 2\pi \left(\frac{2R}{\pi} \right) \pi R = 4\pi R^2 \quad \text{Ans.}$$

Volume. The volume of the sphere is generated by revolving the semicircular *area* in Fig. 9-21b about the x axis. Using the table on the inside back cover to locate the centroid of the area, i.e., $\bar{r} = 4R/3\pi$, and applying Eq. 9-8, we have

$$V = \theta \bar{r} A; \quad V = 2\pi \left(\frac{4R}{3\pi} \right) \left(\frac{1}{2} \pi R^2 \right) = \frac{4}{3} \pi R^3 \quad \text{Ans.}$$

EXAMPLE 9.13

Determine the surface area and volume of the full solid in Fig. 9–22a.

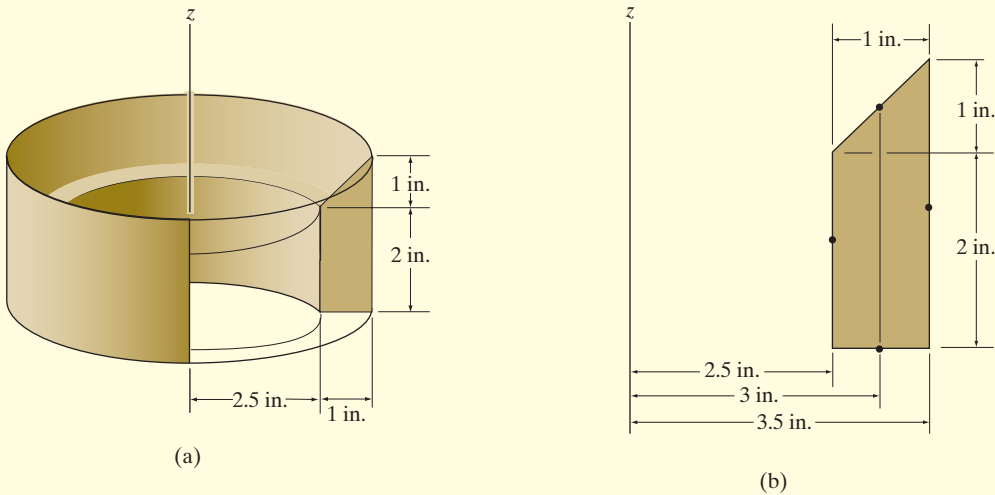


Fig. 9–22

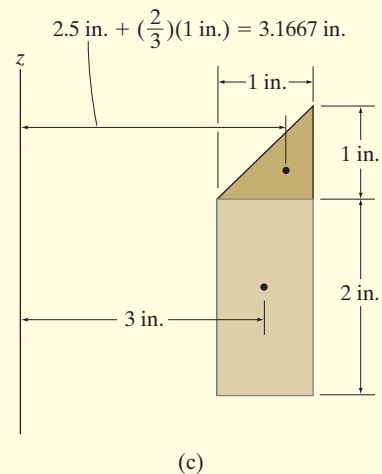
SOLUTION

Surface Area. The surface area is generated by revolving the four line segments shown in Fig. 9–22b, 2π radians about the z axis. The distances from the centroid of each segment to the z axis are also shown in the figure. Applying Eq. 9–7, yields

$$\begin{aligned} A &= 2\pi \Sigma \bar{r} L = 2\pi [(2.5 \text{ in.})(2 \text{ in.}) + (3 \text{ in.}) \left(\sqrt{(1 \text{ in.})^2 + (1 \text{ in.})^2} \right) \\ &\quad + (3.5 \text{ in.})(3 \text{ in.}) + (3 \text{ in.})(1 \text{ in.})] \\ &= 143 \text{ in}^2 \end{aligned} \quad \text{Ans.}$$

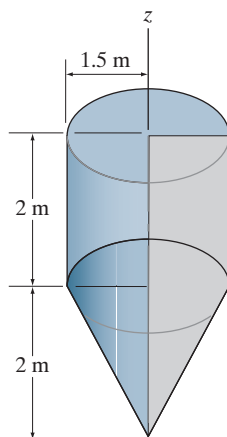
Volume. The volume of the solid is generated by revolving the two area segments shown in Fig. 9–22c, 2π radians about the z axis. The distances from the centroid of each segment to the z axis are also shown in the figure. Applying Eq. 9–10, we have

$$\begin{aligned} V &= 2\pi \Sigma \bar{r} A = 2\pi \left\{ (3.1667 \text{ in.}) \left[\frac{1}{2} (1 \text{ in.})(1 \text{ in.}) \right] + (3 \text{ in.}) [(2 \text{ in.})(1 \text{ in.})] \right\} \\ &= 47.6 \text{ in}^3 \end{aligned} \quad \text{Ans.}$$



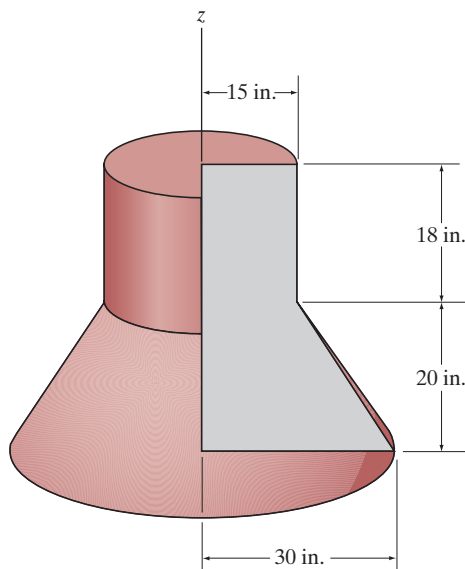
FUNDAMENTAL PROBLEMS

F9-13. Determine the surface area and volume of the solid formed by revolving the shaded area 360° about the z axis.



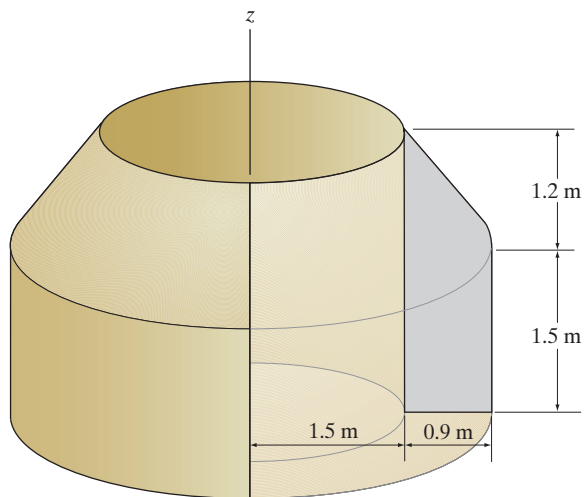
F9-13

F9-15. Determine the surface area and volume of the solid formed by revolving the shaded area 360° about the z axis.



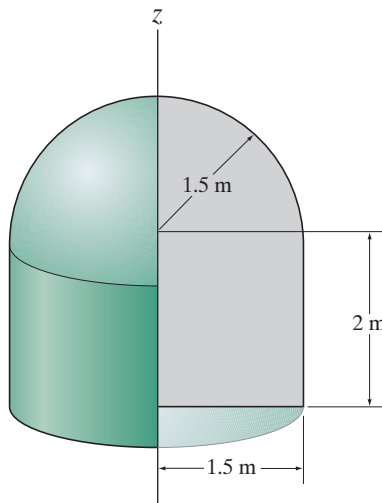
F9-15

F9-14. Determine the surface area and volume of the solid formed by revolving the shaded area 360° about the z axis.



F9-14

F9-16. Determine the surface area and volume of the solid formed by revolving the shaded area 360° about the z axis.

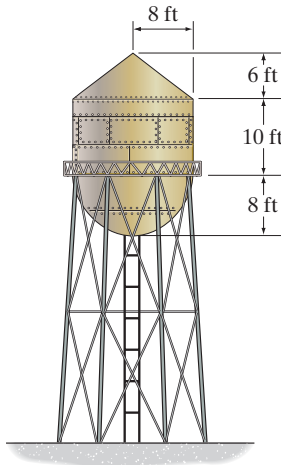


F9-16

PROBLEMS

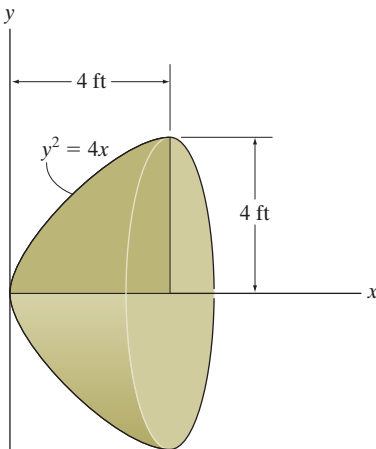
•9–81. The elevated water storage tank has a conical top and hemispherical bottom and is fabricated using thin steel plate. Determine how many square feet of plate is needed to fabricate the tank.

9–82. The elevated water storage tank has a conical top and hemispherical bottom and is fabricated using thin steel plate. Determine the volume within the tank.



Probs. 9–81/82

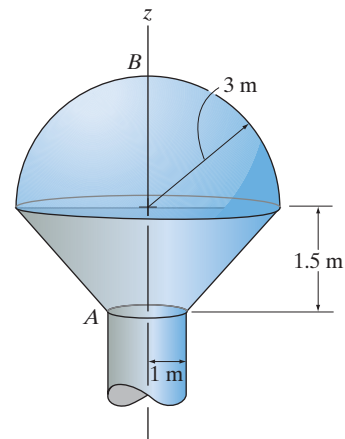
9–83. Determine the volume of the solid formed by revolving the shaded area about the x axis using the second theorem of Pappus–Guldinus. The area and centroid \bar{y} of the shaded area should first be obtained by using integration.



Prob. 9–83

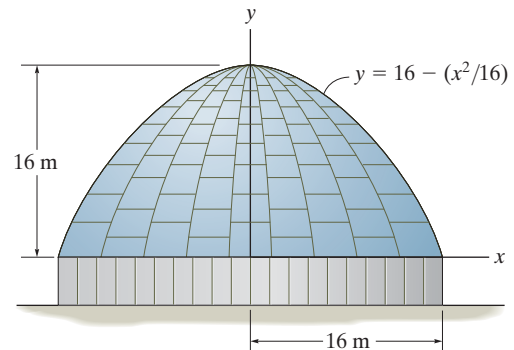
*9–84. Determine the surface area from A to B of the tank.

•9–85. Determine the volume within the thin-walled tank from A to B .



Probs. 9–84/85

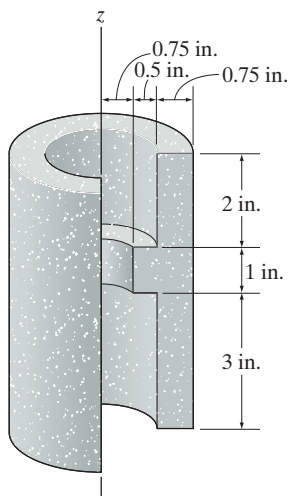
9–86. Determine the surface area of the roof of the structure if it is formed by rotating the parabola about the y axis.



Prob. 9–86

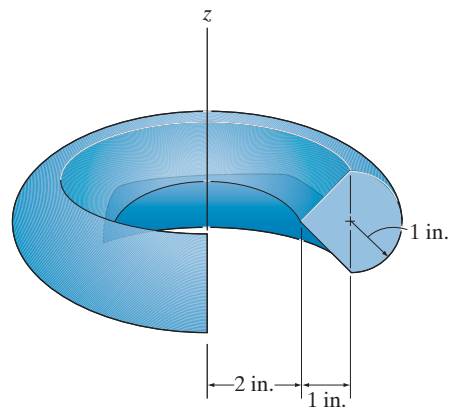
9-87. Determine the surface area of the solid formed by revolving the shaded area 360° about the z axis.

***9-88.** Determine the volume of the solid formed by revolving the shaded area 360° about the z axis.



Probs. 9-87/88

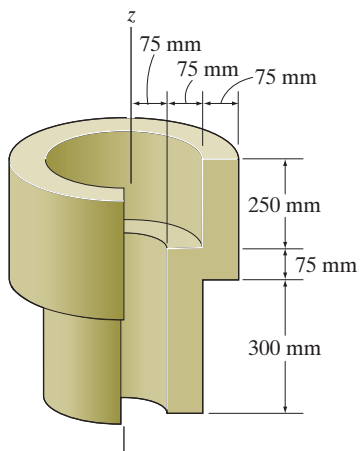
9-90. Determine the surface area and volume of the solid formed by revolving the shaded area 360° about the z axis.



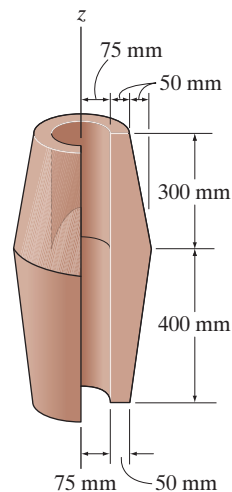
Prob. 9-90

•9-89. Determine the volume of the solid formed by revolving the shaded area 360° about the z axis.

9-91. Determine the surface area and volume of the solid formed by revolving the shaded area 360° about the z axis.

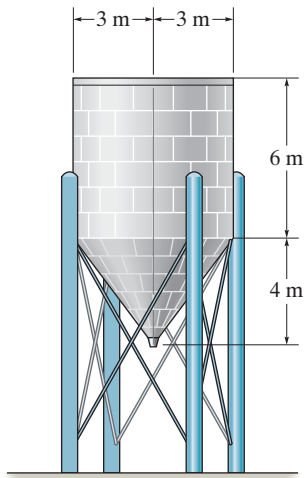


Prob. 9-89



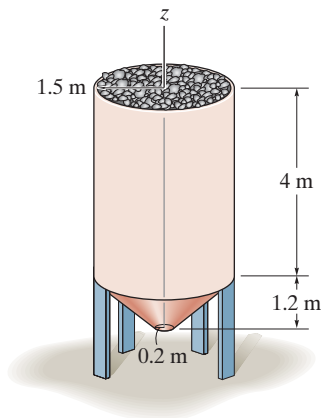
Prob. 9-91

***9-92.** The process tank is used to store liquids during manufacturing. Estimate both the volume of the tank and its surface area. The tank has a flat top and a thin wall.



Prob. 9-92

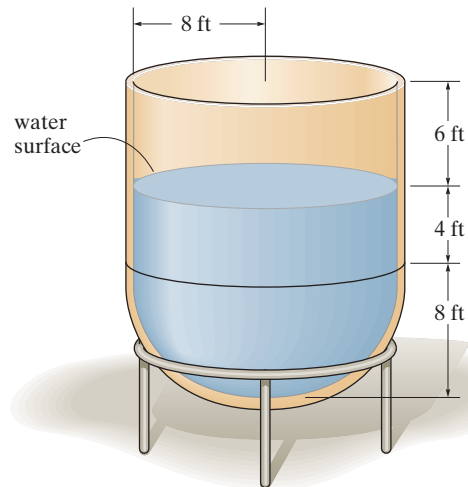
•9-93. The hopper is filled to its top with coal. Estimate the volume of coal if the voids (air space) are 35 percent of the volume of the hopper.



Prob. 9-93

9-94. The thin-wall tank is fabricated from a hemisphere and cylindrical shell. Determine the vertical reactions that each of the four symmetrically placed legs exerts on the floor if the tank contains water which is 12 ft deep in the tank. The specific gravity of water is 62.4 lb/ft^3 . Neglect the weight of the tank.

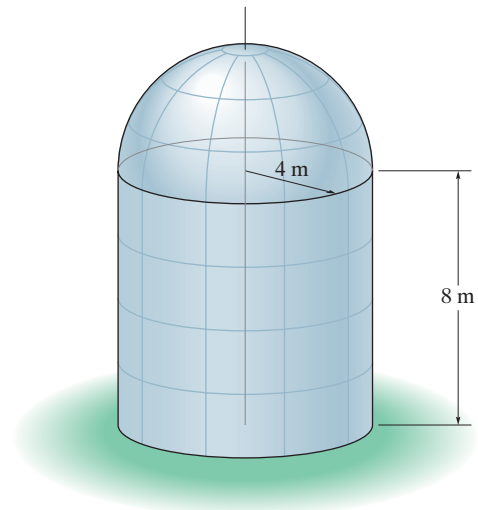
9-95. Determine the approximate amount of paint needed to cover the outside surface of the open tank. Assume that a gallon of paint covers 400 ft^2 .



Probs. 9-94/95

***9-96.** Determine the surface area of the tank, which consists of a cylinder and hemispherical cap.

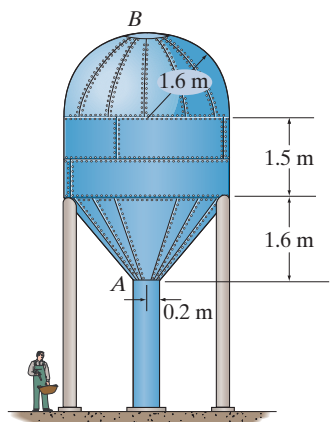
•9-97. Determine the volume of the thin-wall tank, which consists of a cylinder and hemispherical cap.



Probs. 9-96/97

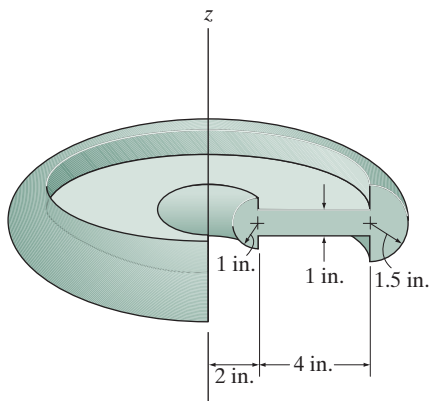
9-98. The water tank AB has a hemispherical top and is fabricated from thin steel plate. Determine the volume within the tank.

9-99. The water tank AB has a hemispherical roof and is fabricated from thin steel plate. If a liter of paint can cover 3 m^2 of the tank's surface, determine how many liters are required to coat the surface of the tank from A to B .



Probs. 9-98/99

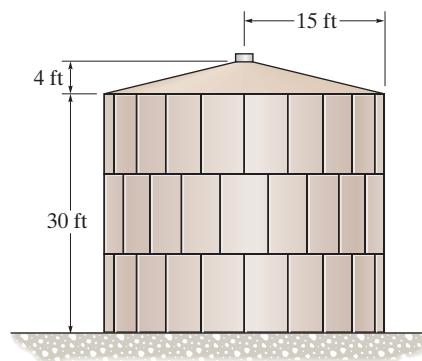
***9-100.** Determine the surface area and volume of the wheel formed by revolving the cross-sectional area 360° about the z axis.



Prob. 9-100

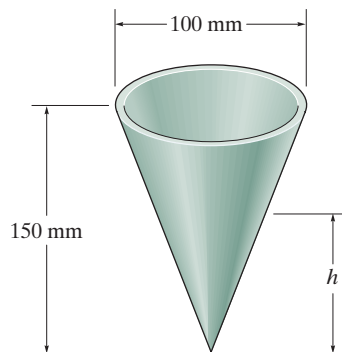
9-101. Determine the outside surface area of the storage tank.

9-102. Determine the volume of the thin-wall storage tank.



Probs. 9-101/102

9-103. Determine the height h to which liquid should be poured into the conical paper cup so that it contacts half the surface area on the inside of the cup.



Prob. 9-103

*9.4 Resultant of a General Distributed Loading

In Sec. 4.9, we discussed the method used to simplify a two-dimensional distributed loading to a single resultant force acting at a specific point. In this section we will generalize this method to include flat surfaces that have an arbitrary shape and are subjected to a variable load distribution. Consider, for example, the flat plate shown in Fig. 9–23a, which is subjected to the loading defined by $p = p(x, y)$ Pa, where 1 Pa (pascal) = 1 N/m². Knowing this function, we can determine the resultant force \mathbf{F}_R acting on the plate and its location (\bar{x}, \bar{y}) , Fig. 9–23b.

Magnitude of Resultant Force. The force $d\mathbf{F}$ acting on the differential area dA m² of the plate, located at the arbitrary point (x, y) , has a magnitude of $dF = [p(x, y) \text{ N/m}^2](dA \text{ m}^2) = [p(x, y) dA] \text{ N}$. Notice that $p(x, y) dA = dV$, the colored differential volume element shown in Fig. 9–23a. The magnitude of \mathbf{F}_R is the sum of the differential forces acting over the plate's entire surface area A . Thus:

$$F_R = \Sigma F; \quad \boxed{F_R = \int_A p(x, y) dA = \int_V dV = V} \quad (9-11)$$

This result indicates that the *magnitude of the resultant force is equal to the total volume under the distributed-loading diagram.*

Location of Resultant Force. The location (\bar{x}, \bar{y}) of \mathbf{F}_R is determined by setting the moments of \mathbf{F}_R equal to the moments of all the differential forces $d\mathbf{F}$ about the respective y and x axes: From Figs. 9–23a and 9–23b, using Eq. 9–11, this results in

$$\boxed{\bar{x} = \frac{\int_A x p(x, y) dA}{\int_A p(x, y) dA} = \frac{\int_V x dV}{\int_V dV} \quad \bar{y} = \frac{\int_A y p(x, y) dA}{\int_A p(x, y) dA} = \frac{\int_V y dV}{\int_V dV}} \quad (9-12)$$

Hence, the *line of action of the resultant force passes through the geometric center or centroid of the volume under the distributed-loading diagram.*

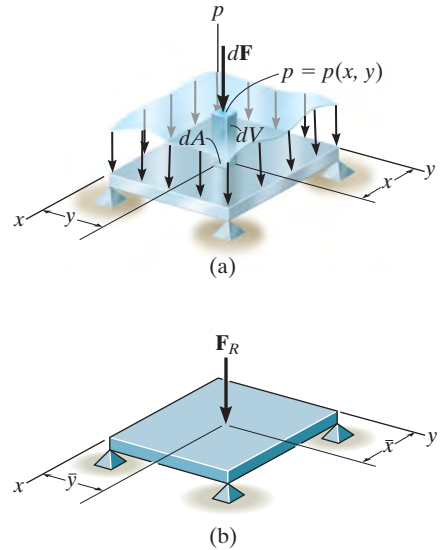


Fig. 9–23



The resultant of a wind loading that is distributed on the front or side walls of this building must be calculated using integration in order to design the framework that holds the building together.

*9.5 Fluid Pressure

According to Pascal's law, a fluid at rest creates a pressure p at a point that is the *same* in *all* directions. The magnitude of p , measured as a force per unit area, depends on the specific weight γ or mass density ρ of the fluid and the depth z of the point from the fluid surface.* The relationship can be expressed mathematically as

$$p = \gamma z = \rho g z \quad (9-13)$$

where g is the acceleration due to gravity. This equation is valid only for fluids that are assumed *incompressible*, as in the case of most liquids. Gases are compressible fluids, and since their density changes significantly with both pressure and temperature, Eq. 9-13 cannot be used.

To illustrate how Eq. 9-13 is applied, consider the submerged plate shown in Fig. 9-24. Three points on the plate have been specified. Since point B is at depth z_1 from the liquid surface, the *pressure* at this point has a magnitude $p_1 = \gamma z_1$. Likewise, points C and D are both at depth z_2 ; hence, $p_2 = \gamma z_2$. In all cases, the pressure acts *normal* to the surface area dA located at the specified point.

Using Eq. 9-13 and the results of Sec. 9.4, it is possible to determine the resultant force caused by a liquid and specify its location on the surface of a submerged plate. Three different shapes of plates will now be considered.

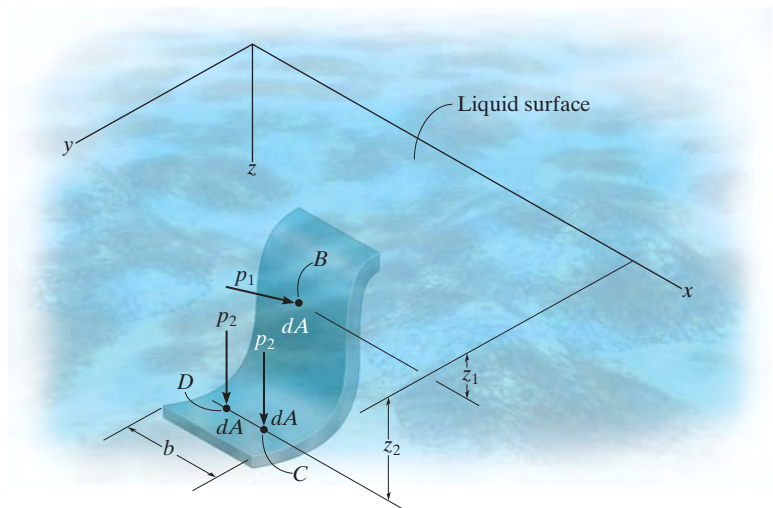


Fig. 9-24

*In particular, for water $\gamma = 62.4 \text{ lb/ft}^3$, or $\gamma = \rho g = 9810 \text{ N/m}^3$ since $\rho = 1000 \text{ kg/m}^3$ and $g = 9.81 \text{ m/s}^2$.

Flat Plate of Constant Width. A flat rectangular plate of constant width, which is submerged in a liquid having a specific weight γ , is shown in Fig. 9–25a. Since pressure varies linearly with depth, Eq. 9–13, the distribution of pressure over the plate's surface is represented by a trapezoidal volume having an intensity of $p_1 = \gamma z_1$ at depth z_1 and $p_2 = \gamma z_2$ at depth z_2 . As noted in Sec. 9.4, the magnitude of the *resultant force* \mathbf{F}_R is equal to the *volume* of this loading diagram and \mathbf{F}_R has a *line of action* that passes through the volume's centroid C . Hence, \mathbf{F}_R does *not* act at the centroid of the plate; rather, it acts at point P , called the *center of pressure*.

Since the plate has a *constant width*, the loading distribution may also be viewed in two dimensions, Fig. 9–25b. Here the loading intensity is measured as force/length and varies linearly from $w_1 = bp_1 = b\gamma z_1$ to $w_2 = bp_2 = b\gamma z_2$. The magnitude of \mathbf{F}_R in this case equals the trapezoidal *area*, and \mathbf{F}_R has a *line of action* that passes through the area's *centroid* C . For numerical applications, the area and location of the centroid for a trapezoid are tabulated on the inside back cover.



The walls of the tank must be designed to support the pressure loading of the liquid that is contained within it.

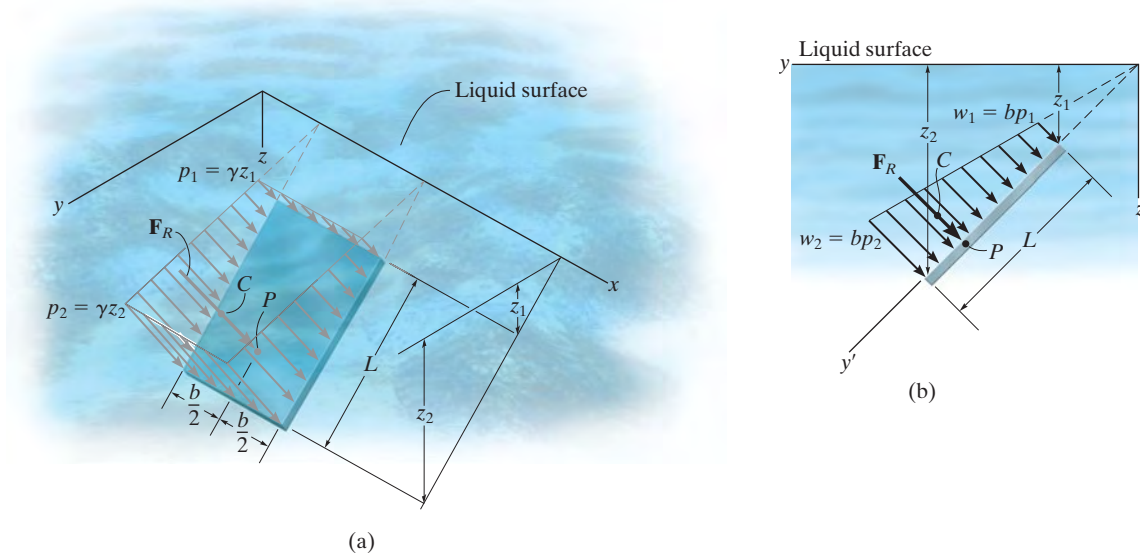


Fig. 9–25

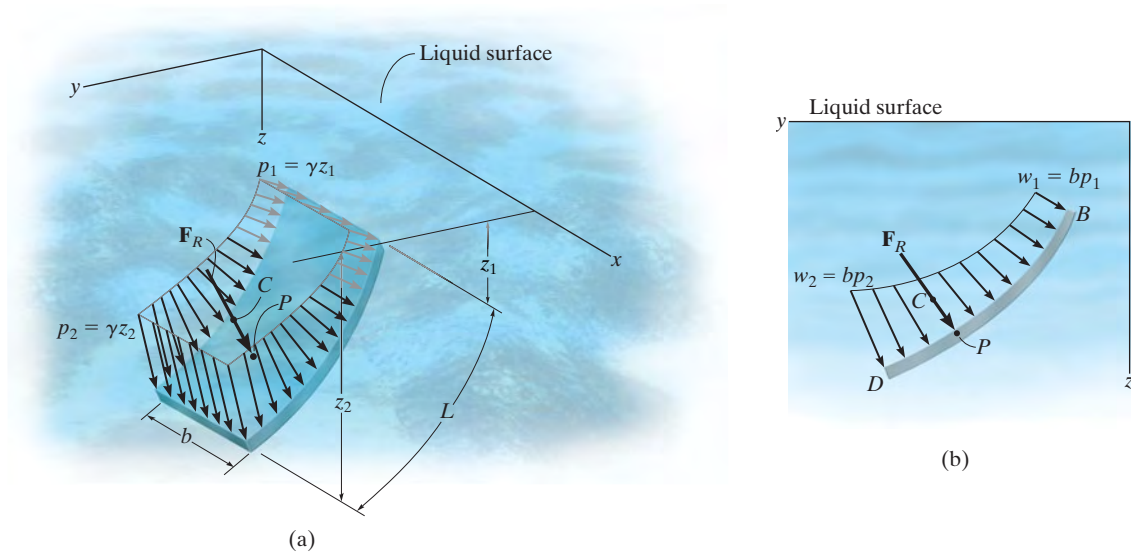
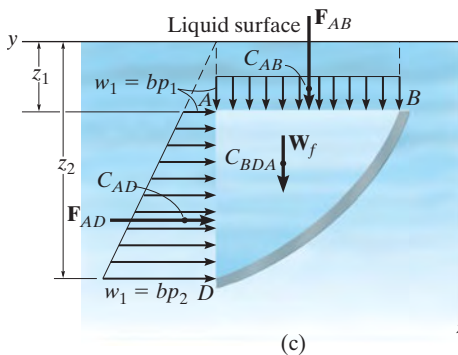


Fig. 9-26



Curved Plate of Constant Width. When a submerged plate of constant width is curved, the pressure acting normal to the plate continually changes both its magnitude and direction, and therefore calculation of the magnitude of \mathbf{F}_R and its location P is more difficult than for a flat plate. Three- and two-dimensional views of the loading distribution are shown in Figs. 9-26a and 9-26b, respectively. Although integration can be used to solve this problem, a simpler method exists. This method requires separate calculations for the horizontal and vertical components of \mathbf{F}_R .

For example, the distributed loading acting on the plate can be represented by the *equivalent loading* shown in Fig. 9-26c. Here the plate supports the weight of liquid W_f contained within the block BDA . This force has a magnitude $W_f = (\gamma b)(\text{area}_{BDA})$ and acts through the centroid of BDA . In addition, there are the pressure distributions caused by the liquid acting along the vertical and horizontal sides of the block. Along the vertical side AD , the force \mathbf{F}_{AD} has a magnitude equal to the area of the trapezoid. It acts through the centroid C_{AD} of this area. The distributed loading along the horizontal side AB is *constant* since all points lying in this plane are at the same depth from the surface of the liquid. The magnitude of \mathbf{F}_{AB} is simply the area of the rectangle. This force acts through the centroid C_{AB} or at the midpoint of AB . Summing these three forces yields $\mathbf{F}_R = \Sigma \mathbf{F} = \mathbf{F}_{AD} + \mathbf{F}_{AB} + \mathbf{W}_f$. Finally, the location of the center of pressure P on the plate is determined by applying $M_R = \Sigma M$, which states that the moment of the resultant force about a convenient reference point such as D or B , in Fig. 9-26b, is equal to the sum of the moments of the three forces in Fig. 9-26c about this same point.

Flat Plate of Variable Width. The pressure distribution acting on the surface of a submerged plate having a variable width is shown in Fig. 9–27. If we consider the force $d\mathbf{F}$ acting on the differential area strip dA , parallel to the x axis, then its magnitude is $dF = p dA$. Since the depth of dA is z , the pressure on the element is $p = \gamma z$. Therefore, $dF = (\gamma z)dA$ and so the resultant force becomes

$$F_R = \int dF = \gamma \int z dA$$

If the depth to the centroid C' of the area is \bar{z} , Fig. 9–27, then, $\int z dA = \bar{z}A$. Substituting, we have

$$F_R = \gamma \bar{z}A \quad (9-14)$$

In other words, *the magnitude of the resultant force acting on any flat plate is equal to the product of the area A of the plate and the pressure $p = \gamma \bar{z}$ at the depth of the area's centroid C' .* As discussed in Sec. 9.4, this force is also equivalent to the volume under the pressure distribution. Realize that its line of action passes through the centroid C of this volume and intersects the plate at the center of pressure P , Fig. 9–27. Notice that the location of C' does not coincide with the location of P .



The resultant force of the water pressure and its location on the elliptical back plate of this tank truck must be determined by integration.

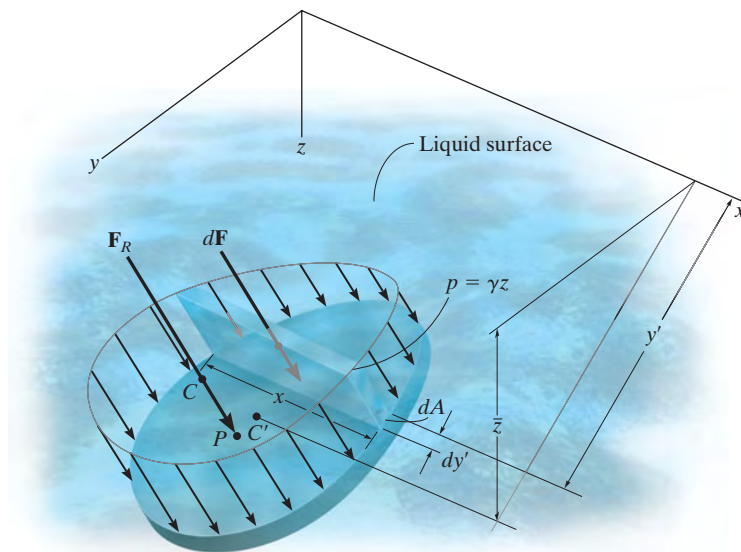
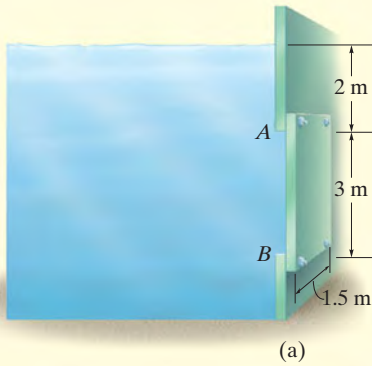
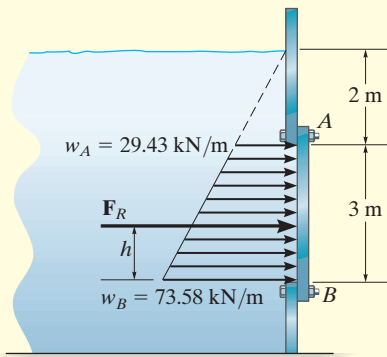


Fig. 9–27

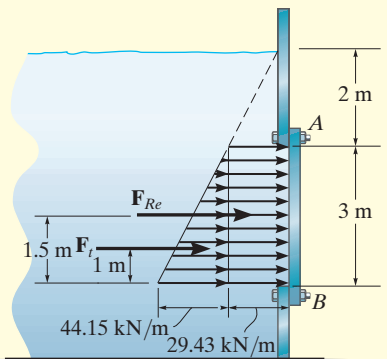
EXAMPLE 9.14



(a)



(b)



(c)

Fig. 9–28

Determine the magnitude and location of the resultant hydrostatic force acting on the submerged rectangular plate AB shown in Fig. 9–28a. The plate has a width of 1.5 m; $\rho_w = 1000 \text{ kg/m}^3$.

SOLUTION I

The water pressures at depths A and B are

$$p_A = \rho_w g z_A = (1000 \text{ kg/m}^3)(9.81 \text{ m/s}^2)(2 \text{ m}) = 19.62 \text{ kPa}$$

$$p_B = \rho_w g z_B = (1000 \text{ kg/m}^3)(9.81 \text{ m/s}^2)(5 \text{ m}) = 49.05 \text{ kPa}$$

Since the plate has a constant width, the pressure loading can be viewed in two dimensions as shown in Fig. 9–28b. The intensities of the load at A and B are

$$w_A = b p_A = (1.5 \text{ m})(19.62 \text{ kPa}) = 29.43 \text{ kN/m}$$

$$w_B = b p_B = (1.5 \text{ m})(49.05 \text{ kPa}) = 73.58 \text{ kN/m}$$

From the table on the inside back cover, the magnitude of the resultant force \mathbf{F}_R created by this distributed load is

$$F_R = \text{area of a trapezoid} = \frac{1}{2}(3)(29.4 + 73.6) = 154.5 \text{ kN} \quad \text{Ans.}$$

This force acts through the centroid of this area,

$$h = \frac{1}{3} \left(\frac{2(29.43) + 73.58}{29.43 + 73.58} \right) (3) = 1.29 \text{ m} \quad \text{Ans.}$$

measured upward from B , Fig. 9–31b.

SOLUTION II

The same results can be obtained by considering two components of \mathbf{F}_R , defined by the triangle and rectangle shown in Fig. 9–28c. Each force acts through its associated centroid and has a magnitude of

$$F_{Re} = (29.43 \text{ kN/m})(3 \text{ m}) = 88.3 \text{ kN}$$

$$F_t = \frac{1}{2}(44.15 \text{ kN/m})(3 \text{ m}) = 66.2 \text{ kN}$$

Hence,

$$F_R = F_{Re} + F_t = 88.3 + 66.2 = 154.5 \text{ kN} \quad \text{Ans.}$$

The location of \mathbf{F}_R is determined by summing moments about B , Fig. 9–28b and c, i.e.,

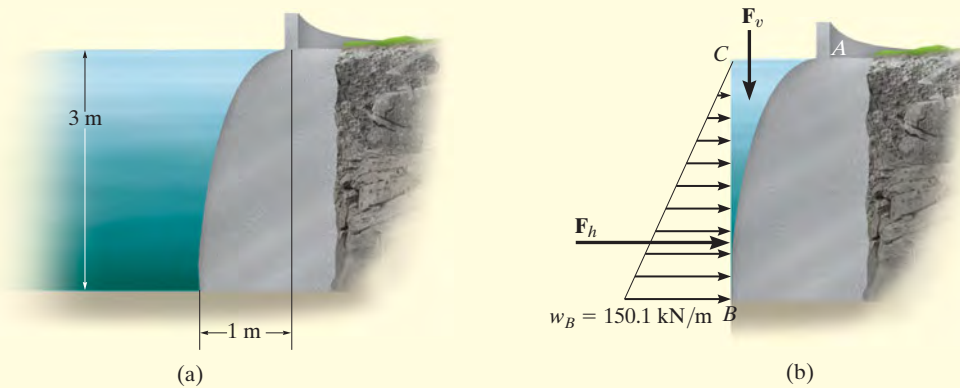
$$\zeta + (M_R)_B = \Sigma M_B; (154.5)h = 88.3(1.5) + 66.2(1)$$

$$h = 1.29 \text{ m} \quad \text{Ans.}$$

NOTE: Using Eq. 9–14, the resultant force can be calculated as $F_R = \gamma \bar{z} A = (9810 \text{ N/m}^3)(3.5 \text{ m})(3 \text{ m})(1.5 \text{ m}) = 154.5 \text{ kN}$.

EXAMPLE 9.15

Determine the magnitude of the resultant hydrostatic force acting on the surface of a seawall shaped in the form of a parabola as shown in Fig. 9–29*a*. The wall is 5 m long; $\rho_w = 1020 \text{ kg/m}^3$.

**Fig. 9–29****SOLUTION**

The horizontal and vertical components of the resultant force will be calculated, Fig. 9–29*b*. Since

$$p_B = \rho_w g z_B = (1020 \text{ kg/m}^3)(9.81 \text{ m/s}^2)(3 \text{ m}) = 30.02 \text{ kPa}$$

then

$$w_B = b p_B = 5 \text{ m}(30.02 \text{ kPa}) = 150.1 \text{ kN/m}$$

Thus,

$$F_h = \frac{1}{2}(3 \text{ m})(150.1 \text{ kN/m}) = 225.1 \text{ kN}$$

The area of the parabolic sector ABC can be determined using the table on the inside back cover. Hence, the weight of water within this 5 m long region is

$$\begin{aligned} F_v &= (\rho_w g b)(\text{area}_{ABC}) \\ &= (1020 \text{ kg/m}^3)(9.81 \text{ m/s}^2)(5 \text{ m})\left[\frac{1}{3}(1 \text{ m})(3 \text{ m})\right] = 50.0 \text{ kN} \end{aligned}$$

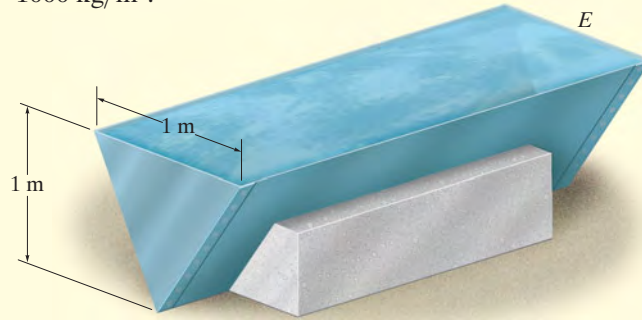
The resultant force is therefore

$$\begin{aligned} F_R &= \sqrt{F_h^2 + F_v^2} = \sqrt{(225.1 \text{ kN})^2 + (50.0 \text{ kN})^2} \\ &= 231 \text{ kN} \end{aligned}$$

Ans.

EXAMPLE 9.16

Determine the magnitude and location of the resultant force acting on the triangular end plates of the water trough shown in Fig. 9–30a; $\rho_w = 1000 \text{ kg/m}^3$.



(a)

SOLUTION

The pressure distribution acting on the end plate E is shown in Fig. 9–30b. The magnitude of the resultant force is equal to the volume of this loading distribution. We will solve the problem by integration. Choosing the differential volume element shown in the figure, we have

$$dF = dV = p \, dA = \rho_w g z (2x \, dz) = 19\,620 z x \, dz$$

The equation of line AB is

$$x = 0.5(1 - z)$$

Hence, substituting and integrating with respect to z from $z = 0$ to $z = 1 \text{ m}$ yields

$$\begin{aligned} F = V &= \int_V dV = \int_0^{1 \text{ m}} (19\,620) z [0.5(1 - z)] \, dz \\ &= 9810 \int_0^{1 \text{ m}} (z - z^2) \, dz = 1635 \text{ N} = 1.64 \text{ kN} \quad \text{Ans.} \end{aligned}$$

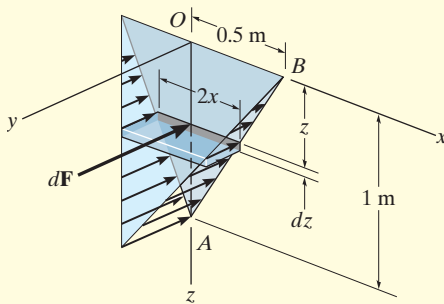
This resultant passes through the *centroid of the volume*. Because of symmetry,

$$\bar{x} = 0 \quad \text{Ans.}$$

Since $\tilde{z} = z$ for the volume element, then

$$\begin{aligned} \bar{z} &= \frac{\int_V \tilde{z} \, dV}{\int_V dV} = \frac{\int_0^{1 \text{ m}} z (19\,620) z [0.5(1 - z)] \, dz}{1635} = \frac{9810 \int_0^{1 \text{ m}} (z^2 - z^3) \, dz}{1635} \\ &= 0.5 \text{ m} \quad \text{Ans.} \end{aligned}$$

NOTE: We can also determine the resultant force by applying Eq. 9–14, $F_R = \gamma \bar{z} A = (9810 \text{ N/m}^3) \left(\frac{1}{3}\right) (1 \text{ m}) \left[\frac{1}{2} (1 \text{ m}) (1 \text{ m})\right] = 1.64 \text{ kN}$.

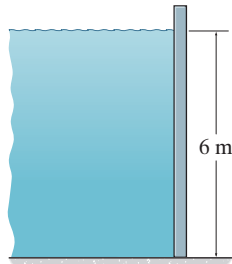


(b)

Fig. 9–30

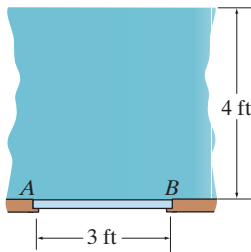
FUNDAMENTAL PROBLEMS

F9-17. Determine the magnitude of the hydrostatic force acting per meter length of the wall. Water has a density of $\rho = 1 \text{ Mg/m}^3$.



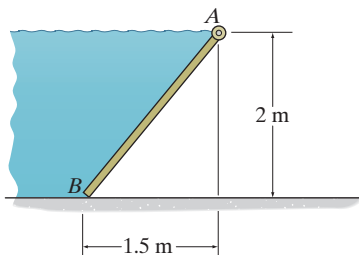
F9-17

F9-18. Determine the magnitude of the hydrostatic force acting on gate AB , which has a width of 4 ft. The specific weight of water is $\gamma = 62.4 \text{ lb/ft}^3$.



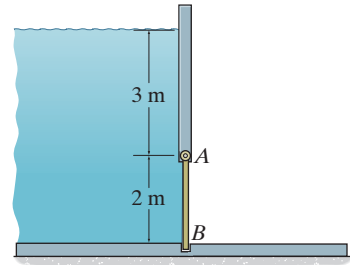
F9-18

F9-19. Determine the magnitude of the hydrostatic force acting on gate AB , which has a width of 1.5 m. Water has a density of $\rho = 1 \text{ Mg/m}^3$.



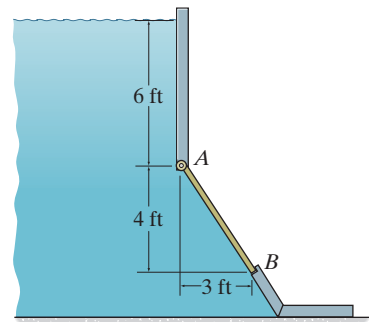
F9-19

F9-20. Determine the magnitude of the hydrostatic force acting on gate AB , which has a width of 2 m. Water has a density of $\rho = 1 \text{ Mg/m}^3$.



F9-20

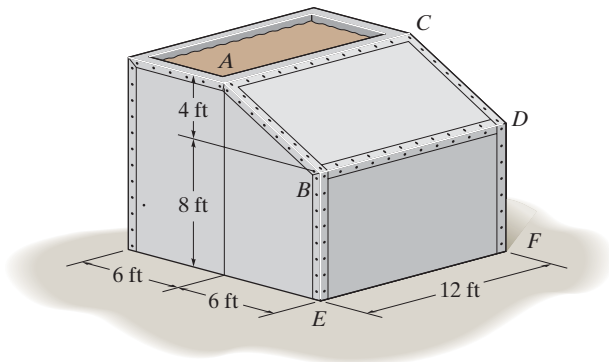
F9-21. Determine the magnitude of the hydrostatic force acting on gate AB , which has a width of 2 ft. The specific weight of water is $\gamma = 62.4 \text{ lb/ft}^3$.



F9-21

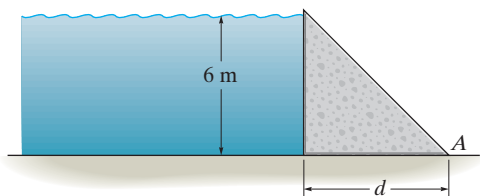
PROBLEMS

***9-104.** The tank is used to store a liquid having a specific weight of 80 lb/ft^3 . If it is filled to the top, determine the magnitude of the force the liquid exerts on each of its two sides $ABDC$ and $BDFE$.



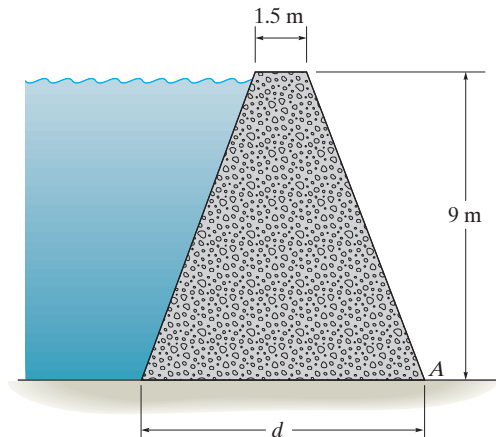
Prob. 9-104

•9-105. The concrete “gravity” dam is held in place by its own weight. If the density of concrete is $\rho_c = 2.5 \text{ Mg/m}^3$, and water has a density of $\rho_w = 1.0 \text{ Mg/m}^3$, determine the smallest dimension d that will prevent the dam from overturning about its end A .



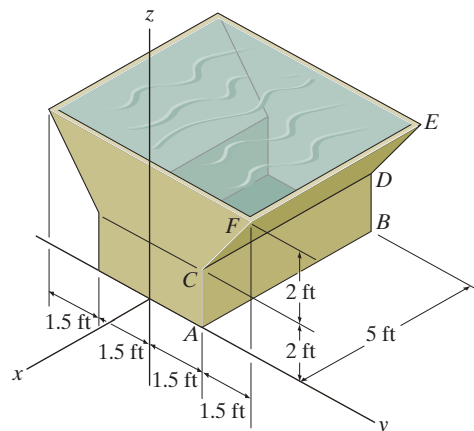
Prob. 9-105

9-106. The symmetric concrete “gravity” dam is held in place by its own weight. If the density of concrete is $\rho_c = 2.5 \text{ Mg/m}^3$, and water has a density of $\rho_w = 1.0 \text{ Mg/m}^3$, determine the smallest distance d at its base that will prevent the dam from overturning about its end A . The dam has a width of 8 m.



Prob. 9-106

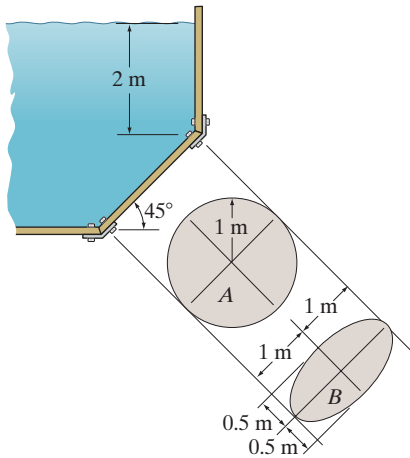
9-107. The tank is used to store a liquid having a specific weight of 60 lb/ft^3 . If the tank is full, determine the magnitude of the hydrostatic force on plates $CDEF$ and $ABDC$.



Prob. 9-107

***9-108.** The circular steel plate A is used to seal the opening on the water storage tank. Determine the magnitude of the resultant hydrostatic force that acts on it. The density of water is $\rho_w = 1 \text{ Mg/m}^3$.

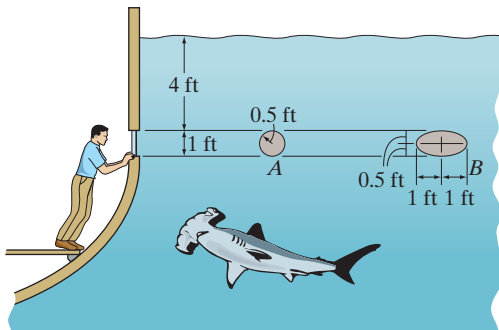
•9-109. The elliptical steel plate B is used to seal the opening on the water storage tank. Determine the magnitude of the resultant hydrostatic force that acts on it. The density of water is $\rho_w = 1 \text{ Mg/m}^3$.



Probs. 9-108/109

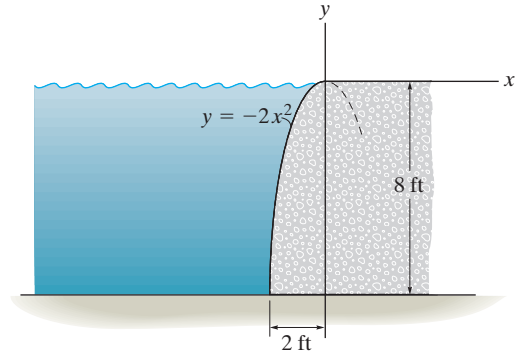
9-110. Determine the magnitude of the hydrostatic force acting on the glass window if it is circular, A . The specific weight of seawater is $\gamma_w = 63.6 \text{ lb/ft}^3$.

9-111. Determine the magnitude and location of the resultant hydrostatic force acting on the glass window if it is elliptical, B . The specific weight of seawater is $\gamma_w = 63.6 \text{ lb/ft}^3$.



Probs. 9-110/111

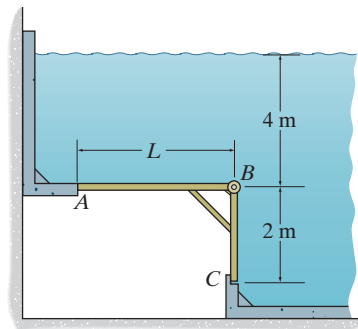
***9-112.** Determine the magnitude of the hydrostatic force acting per foot of length on the seawall. $\gamma_w = 62.4 \text{ lb/ft}^3$.



Prob. 9-112

•9-113. If segment AB of gate ABC is long enough, the gate will be on the verge of opening. Determine the length L of this segment in order for this to occur. The gate is hinged at B and has a width of 1 m. The density of water is $\rho_w = 1 \text{ Mg/m}^3$.

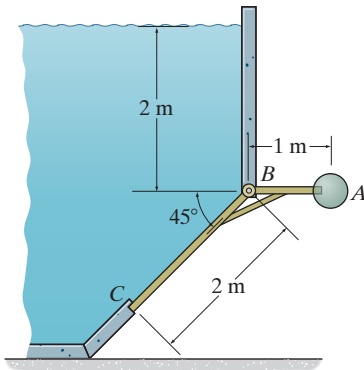
9-114. If $L = 2 \text{ m}$, determine the force the gate ABC exerts on the smooth stopper at C . The gate is hinged at B , free at A , and is 1 m wide. The density of water is $\rho_w = 1 \text{ Mg/m}^3$.



Probs. 9-113/114

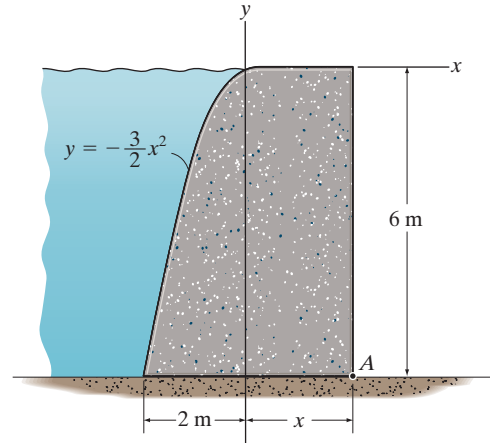
9-115. Determine the mass of the counterweight A if the 1-m-wide gate is on the verge of opening when the water is at the level shown. The gate is hinged at B and held by the smooth stop at C . The density of water is $\rho_w = 1 \text{ Mg/m}^3$.

***9-116.** If the mass of the counterweight at A is 6500 kg, determine the force the gate exerts on the smooth stop at C . The gate is hinged at B and is 1-m wide. The density of water is $\rho_w = 1 \text{ Mg/m}^3$.



Probs. 9-115/116

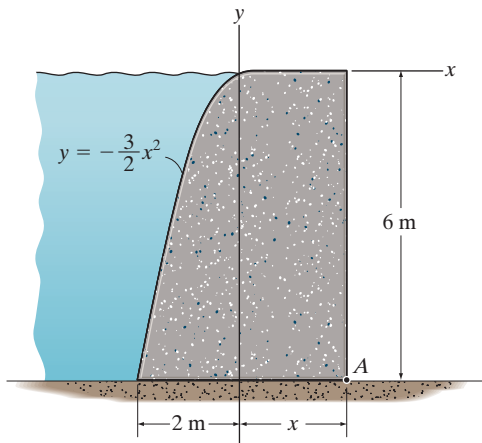
9-118. The concrete gravity dam is designed so that it is held in position by its own weight. Determine the minimum dimension x so that the factor of safety against overturning about point A of the dam is 2. The factor of safety is defined as the ratio of the stabilizing moment divided by the overturning moment. The densities of concrete and water are $\rho_{\text{conc}} = 2.40 \text{ Mg/m}^3$ and $\rho_w = 1 \text{ Mg/m}^3$, respectively. Assume that the dam does not slide.



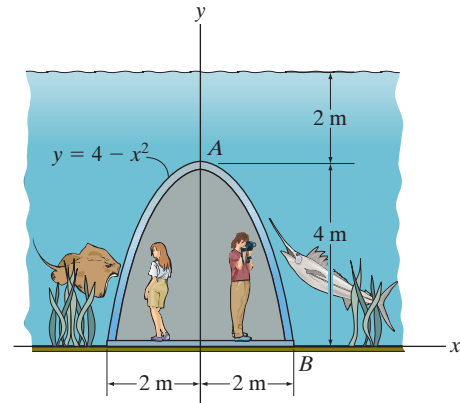
Probs. 9-118

•9-117. The concrete gravity dam is designed so that it is held in position by its own weight. Determine the factor of safety against overturning about point A if $x = 2 \text{ m}$. The factor of safety is defined as the ratio of the stabilizing moment divided by the overturning moment. The densities of concrete and water are $\rho_{\text{conc}} = 2.40 \text{ Mg/m}^3$ and $\rho_w = 1 \text{ Mg/m}^3$, respectively. Assume that the dam does not slide.

9-119. The underwater tunnel in the aquatic center is fabricated from a transparent polycarbonate material formed in the shape of a parabola. Determine the magnitude of the hydrostatic force that acts per meter length along the surface AB of the tunnel. The density of the water is $\rho_w = 1000 \text{ kg/m}^3$.



Probs. 9-117



Prob. 9-119

CHAPTER REVIEW

Center of Gravity and Centroid

The *center of gravity* G represents a point where the weight of the body can be considered concentrated. The distance from an axis to this point can be determined from a balance of moments, which requires that the moment of the weight of all the particles of the body about this axis must equal the moment of the entire weight of the body about the axis.

$$\bar{x} = \frac{\int \tilde{x} dW}{\int dW}$$

$$\bar{y} = \frac{\int \tilde{y} dW}{\int dW}$$

$$\bar{z} = \frac{\int \tilde{z} dW}{\int dW}$$

The center of mass will coincide with the center of gravity provided the acceleration of gravity is constant.

$$\bar{x} = \frac{\int_L \tilde{x} dL}{\int_L dL}$$

$$\bar{y} = \frac{\int_L \tilde{y} dL}{\int_L dL}$$

$$\bar{z} = \frac{\int_L \tilde{z} dL}{\int_L dL}$$

$$\bar{x} = \frac{\int_A \tilde{x} dA}{\int_A dA}$$

$$\bar{y} = \frac{\int_A \tilde{y} dA}{\int_A dA}$$

$$\bar{z} = \frac{\int_A \tilde{z} dA}{\int_A dA}$$

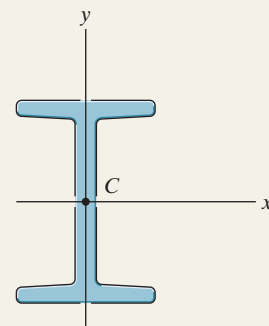
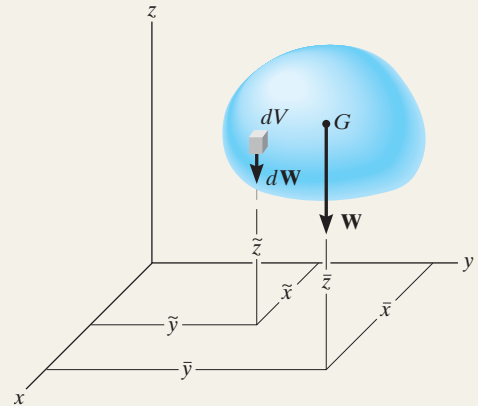
The *centroid* is the location of the geometric center for the body. It is determined in a similar manner, using a moment balance of geometric elements such as line, area, or volume segments. For bodies having a continuous shape, moments are summed (integrated) using differential elements.

$$\bar{x} = \frac{\int_V \tilde{x} dV}{\int_V dV}$$

$$\bar{y} = \frac{\int_V \tilde{y} dV}{\int_V dV}$$

$$\bar{z} = \frac{\int_V \tilde{z} dV}{\int_V dV}$$

The center of mass will coincide with the centroid provided the material is homogeneous, i.e., the density of the material is the same throughout. The centroid will always lie on an axis of symmetry.



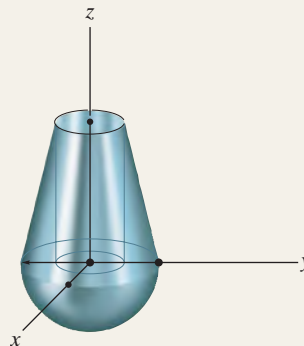
Composite Body

If the body is a composite of several shapes, each having a known location for its center of gravity or centroid, then the location of the center of gravity or centroid of the body can be determined from a discrete summation using its composite parts.

$$\bar{x} = \frac{\sum \tilde{x}W}{\sum W}$$

$$\bar{y} = \frac{\sum \tilde{y}W}{\sum W}$$

$$\bar{z} = \frac{\sum \tilde{z}W}{\sum W}$$

**Theorems of Pappus and Guldinus**

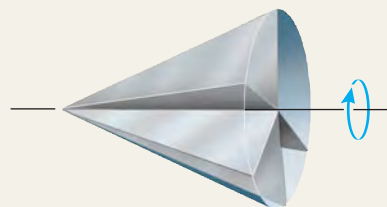
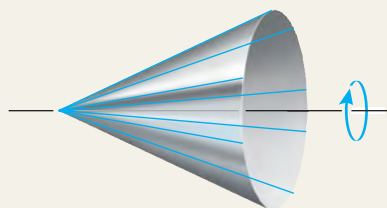
The theorems of Pappus and Guldinus can be used to determine the surface area and volume of a body of revolution.

The *surface area* equals the product of the length of the generating curve and the distance traveled by the centroid of the curve needed to generate the area.

$$A = \theta \bar{r} L$$

The *volume* of the body equals the product of the generating area and the distance traveled by the centroid of this area needed to generate the volume.

$$V = \theta \bar{r} A$$



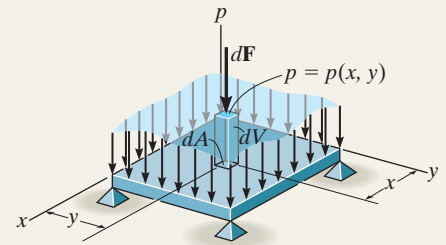
General Distributed Loading

The magnitude of the resultant force is equal to the total volume under the distributed-loading diagram. The line of action of the resultant force passes through the geometric center or centroid of this volume.

$$F_R = \int_A p(x, y) dA = \int_V dV$$

$$\bar{x} = \frac{\int_V x dV}{\int_V dV}$$

$$\bar{y} = \frac{\int_V y dV}{\int_V dV}$$

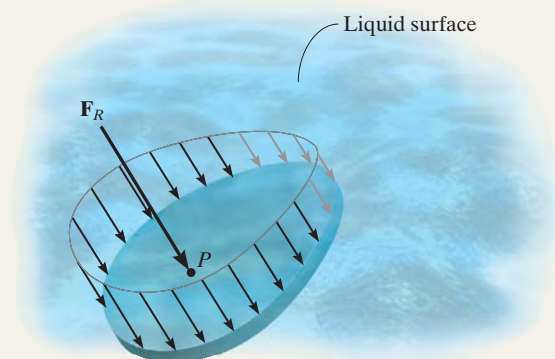
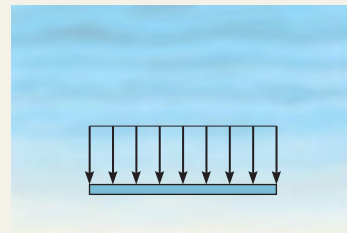
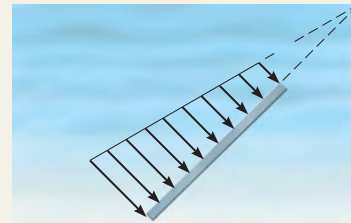


Fluid Pressure

The pressure developed by a liquid at a point on a submerged surface depends upon the depth of the point and the density of the liquid in accordance with Pascal's law, $p = \rho gh = \gamma h$. This pressure will create a *linear distribution* of loading on a flat vertical or inclined surface.

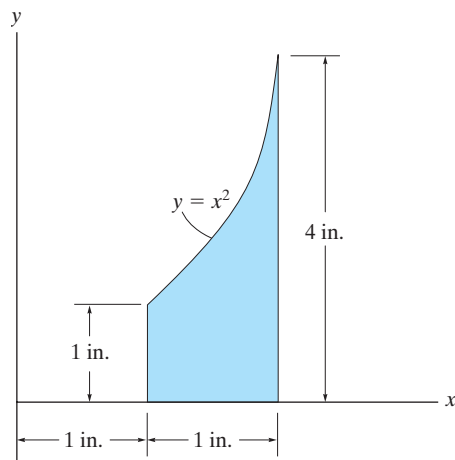
If the surface is horizontal, then the loading will be *uniform*.

In any case, the resultants of these loadings can be determined by finding the volume under the loading curve or using $F_R = \gamma \bar{z} A$, where \bar{z} is the depth to the centroid of the plate's area. The line of action of the resultant force passes through the centroid of the volume of the loading diagram and acts at a point P on the plate called the center of pressure.



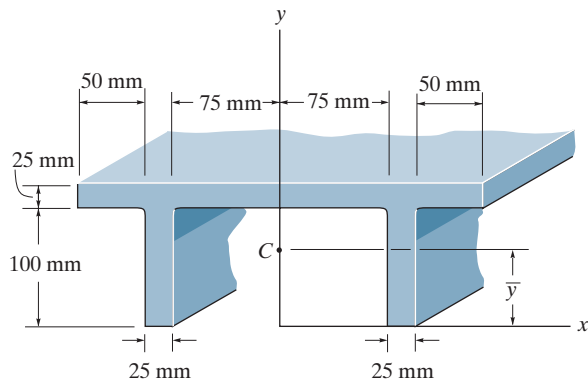
REVIEW PROBLEMS

- *9-120. Locate the centroid \bar{x} of the shaded area.
 •9-121. Locate the centroid \bar{y} of the shaded area.



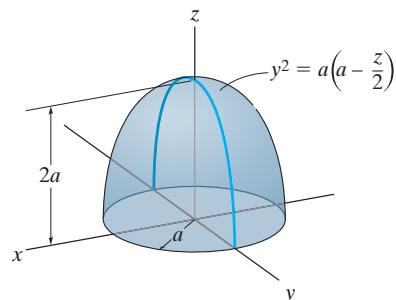
Probs. 9-120/121

- 9-122. Locate the centroid \bar{y} of the beam's cross-sectional area.



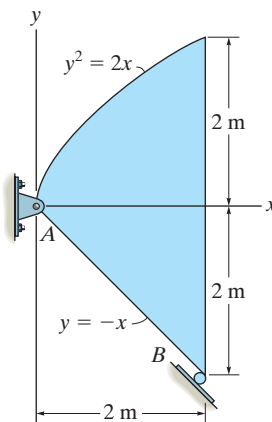
Prob. 9-122

- 9-123. Locate the centroid \bar{z} of the solid.



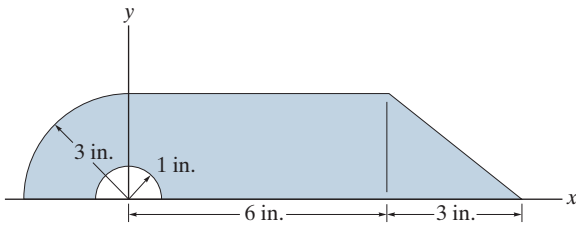
Prob. 9-123

- *9-124. The steel plate is 0.3 m thick and has a density of 7850 kg/m^3 . Determine the location of its center of mass. Also compute the reactions at the pin and roller support.



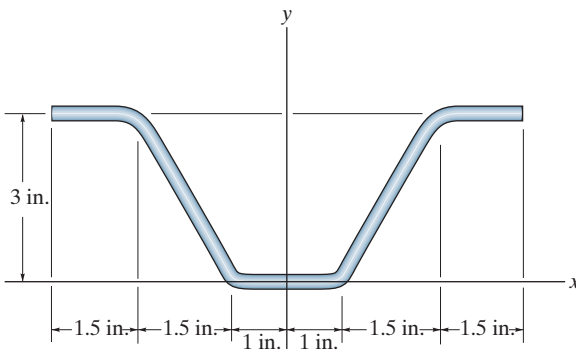
Prob. 9-124

•9-125. Locate the centroid (\bar{x}, \bar{y}) of the area.



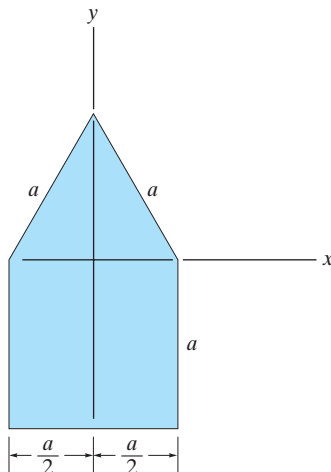
Prob. 9-125

9-126. Determine the location (\bar{x}, \bar{y}) of the centroid for the structural shape. Neglect the thickness of the member.



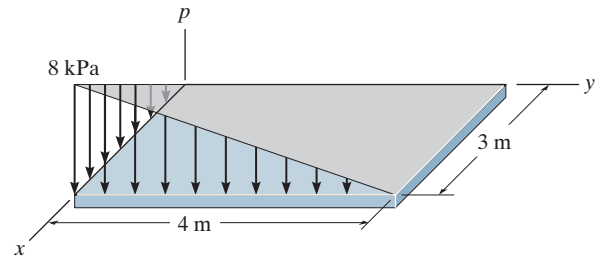
Prob. 9-126

9-127. Locate the centroid \bar{y} of the shaded area.



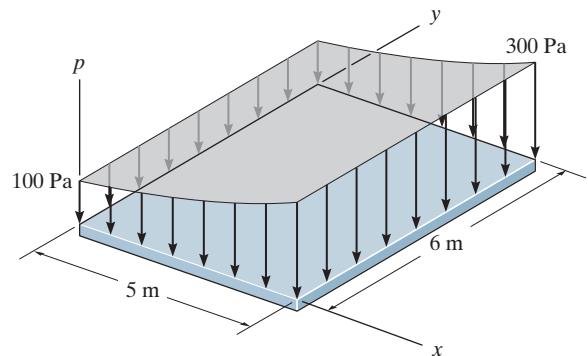
Prob. 9-127

*9-128. The load over the plate varies linearly along the sides of the plate such that $p = \frac{2}{3}[x(4 - y)]$ kPa. Determine the resultant force and its position (\bar{x}, \bar{y}) on the plate.



Prob. 9-128

*9-129. The pressure loading on the plate is described by the function $p = \{-240/(x + 1) + 340\}$ Pa. Determine the magnitude of the resultant force and coordinates of the point where the line of action of the force intersects the plate.



Prob. 9-129



The design of a structural member, such as a beam or column, requires calculation of its cross-sectional moment of inertia. In this chapter, we will discuss how this is done.

www.semeng.ir

Moments of Inertia

10

CHAPTER OBJECTIVES

- To develop a method for determining the moment of inertia for an area.
- To introduce the product of inertia and show how to determine the maximum and minimum moments of inertia for an area.
- To discuss the mass moment of inertia.

10.1 Definition of Moments of Inertia for Areas

Whenever a distributed loading acts perpendicular to an area and its intensity varies linearly, the computation of the moment of the loading distribution about an axis will involve a quantity called the *moment of inertia of the area*. For example, consider the plate in Fig. 10–1, which is subjected to a fluid pressure p . As discussed in Sec. 9.5, this pressure p varies linearly with depth, such that $p = \gamma y$, where γ is the specific weight of the fluid. Thus, the force acting on the differential area dA of the plate is $dF = p dA = (\gamma y)dA$. The moment of this force about the x axis is therefore $dM = y dF = \gamma y^2 dA$, and so integrating dM over the entire area of the plate yields $M = \gamma \int y^2 dA$. The integral $\int y^2 dA$ is called the *moment of inertia* I_x of the area about the x axis. Integrals of this form often arise in formulas used in fluid mechanics, mechanics of materials, structural mechanics, and mechanical design, and so the engineer needs to be familiar with the methods used for their computation.

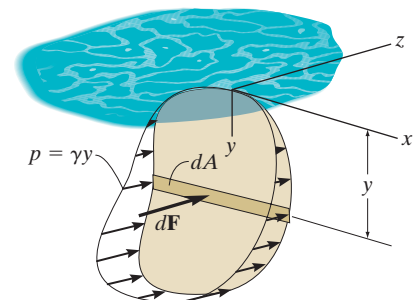


Fig. 10–1

Moment of Inertia. By definition, the moments of inertia of a differential area dA about the x and y axes are $dI_x = y^2 dA$ and $dI_y = x^2 dA$, respectively, Fig. 10–2. For the entire area A the *moments of inertia* are determined by integration; i.e.,

$$\begin{aligned} I_x &= \int_A y^2 dA \\ I_y &= \int_A x^2 dA \end{aligned} \quad (10-1)$$

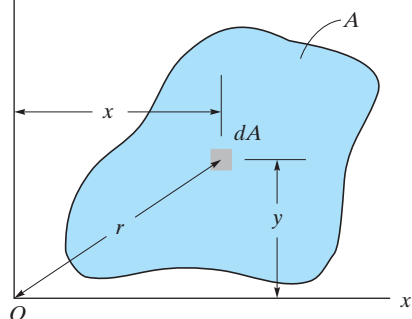


Fig. 10–2

We can also formulate this quantity for dA about the “pole” O or z axis, Fig. 10–2. This is referred to as the *polar moment of inertia*. It is defined as $dJ_O = r^2 dA$, where r is the perpendicular distance from the pole (z axis) to the element dA . For the entire area the *polar moment of inertia* is

$$J_O = \int_A r^2 dA = I_x + I_y \quad (10-2)$$

This relation between J_O and I_x , I_y is possible since $r^2 = x^2 + y^2$, Fig. 10–2.

From the above formulations it is seen that I_x , I_y , and J_O will *always* be *positive* since they involve the product of distance squared and area. Furthermore, the units for moment of inertia involve length raised to the fourth power, e.g., m^4 , mm^4 , or ft^4 , in^4 .

10.2 Parallel-Axis Theorem for an Area

The *parallel-axis theorem* can be used to find the moment of inertia of an area about *any* axis that is parallel to an axis passing through the centroid and about which the moment of inertia is known. To develop this theorem, we will consider finding the moment of inertia of the shaded area shown in Fig. 10–3 about the x axis. To start, we choose a differential element dA located at an arbitrary distance y' from the *centroidal* x' axis. If the distance between the parallel x and x' axes is d_y , then the moment of inertia of dA about the x axis is $dI_x = (y' + d_y)^2 dA$. For the entire area,

$$\begin{aligned} I_x &= \int_A (y' + d_y)^2 dA \\ &= \int_A y'^2 dA + 2d_y \int_A y' dA + d_y^2 \int_A dA \end{aligned}$$

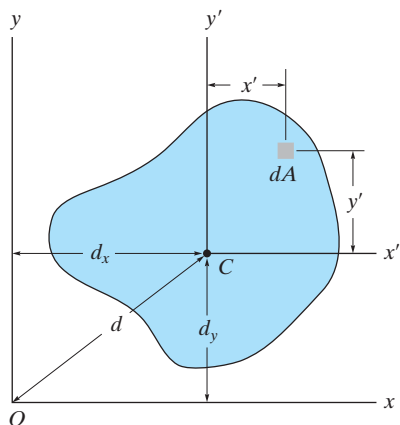


Fig. 10–3

The first integral represents the moment of inertia of the area about the centroidal axis, $\bar{I}_{x'}$. The second integral is zero since the x' axis passes through the area's centroid C ; i.e., $\int y' dA = \bar{y}' \int dA = 0$ since $\bar{y}' = 0$. Since the third integral represents the total area A , the final result is therefore

$$I_x = \bar{I}_{x'} + Ad_y^2 \quad (10-3)$$

A similar expression can be written for I_y ; i.e.,

$$I_y = \bar{I}_{y'} + Ad_x^2 \quad (10-4)$$

And finally, for the polar moment of inertia, since $\bar{J}_C = \bar{I}_{x'} + \bar{I}_{y'}$ and $d^2 = d_x^2 + d_y^2$, we have

$$J_O = \bar{J}_C + Ad^2 \quad (10-5)$$

The form of each of these three equations states that *the moment of inertia for an area about an axis is equal to its moment of inertia about a parallel axis passing through the area's centroid plus the product of the area and the square of the perpendicular distance between the axes.*



In order to predict the strength and deflection of this beam, it is necessary to calculate the moment of inertia of the beam's cross-sectional area.

10.3 Radius of Gyration of an Area

The *radius of gyration* of an area about an axis has units of length and is a quantity that is often used for the design of columns in structural mechanics. Provided the areas and moments of inertia are *known*, the radii of gyration are determined from the formulas

$$k_x = \sqrt{\frac{I_x}{A}}$$

$$k_y = \sqrt{\frac{I_y}{A}} \quad (10-6)$$

$$k_O = \sqrt{\frac{J_O}{A}}$$

The form of these equations is easily remembered since it is similar to that for finding the moment of inertia for a differential area about an axis. For example, $I_x = k_x^2 A$; whereas for a differential area, $dI_x = y^2 dA$.

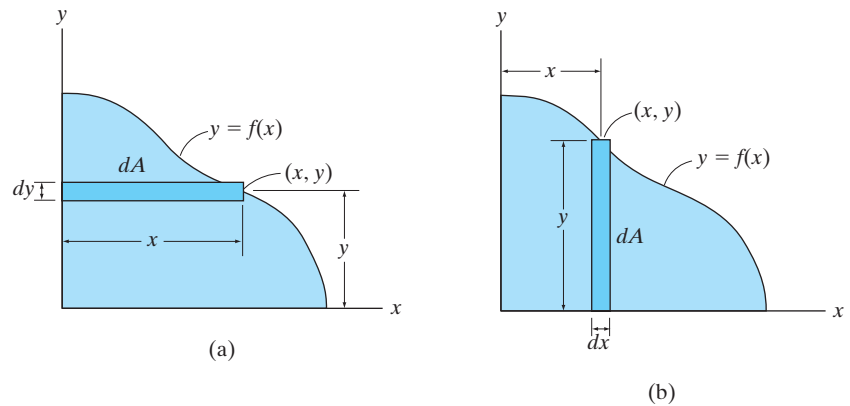


Fig. 10-4

Procedure for Analysis

In most cases the moment of inertia can be determined using a single integration. The following procedure shows two ways in which this can be done.

- If the curve defining the boundary of the area is expressed as $y = f(x)$, then select a rectangular differential element such that it has a finite length and differential width.
- The element should be located so that it intersects the curve at the *arbitrary point* (x, y) .

Case 1

- Orient the element so that its length is *parallel* to the axis about which the moment of inertia is computed. This situation occurs when the rectangular element shown in Fig. 10-4a is used to determine I_x for the area. Here the entire element is at a distance y from the x axis since it has a thickness dy . Thus $I_x = \int y^2 dA$. To find I_y , the element is oriented as shown in Fig. 10-4b. This element lies at the *same* distance x from the y axis so that $I_y = \int x^2 dA$.

Case 2

- The length of the element can be oriented *perpendicular* to the axis about which the moment of inertia is computed; however, Eq. 10-1 *does not apply* since all points on the element will *not* lie at the same moment-arm distance from the axis. For example, if the rectangular element in Fig. 10-4a is used to determine I_y , it will first be necessary to calculate the moment of inertia of the *element* about an axis parallel to the y axis that passes through the element's centroid, and then determine the moment of inertia of the *element* about the y axis using the parallel-axis theorem. Integration of this result will yield I_y . See Examples 10.2 and 10.3.

EXAMPLE 10.1

Determine the moment of inertia for the rectangular area shown in Fig. 10–5 with respect to (a) the centroidal x' axis, (b) the axis x_b passing through the base of the rectangle, and (c) the pole or z' axis perpendicular to the $x'-y'$ plane and passing through the centroid C .

SOLUTION (CASE 1)

Part (a). The differential element shown in Fig. 10–5 is chosen for integration. Because of its location and orientation, the *entire element* is at a distance y' from the x' axis. Here it is necessary to integrate from $y' = -h/2$ to $y' = h/2$. Since $dA = b dy'$, then

$$\bar{I}_{x'} = \int_A y'^2 dA = \int_{-h/2}^{h/2} y'^2 (b dy') = b \int_{-h/2}^{h/2} y'^2 dy'$$

$$\bar{I}_{x'} = \frac{1}{12} bh^3 \quad \text{Ans.}$$

Part (b). The moment of inertia about an axis passing through the base of the rectangle can be obtained by using the above result of part (a) and applying the parallel-axis theorem, Eq. 10–3.

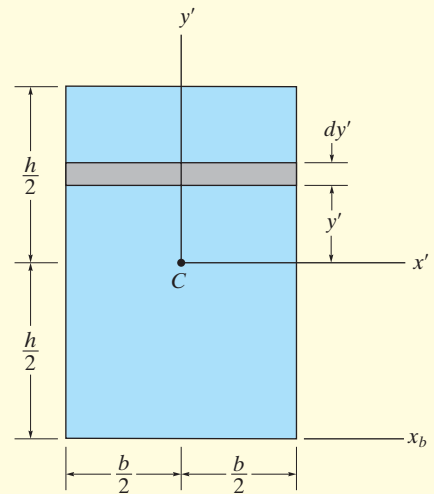
$$\begin{aligned} I_{x_b} &= \bar{I}_{x'} + Ad_y^2 \\ &= \frac{1}{12} bh^3 + bh \left(\frac{h}{2} \right)^2 = \frac{1}{3} bh^3 \quad \text{Ans.} \end{aligned}$$

Part (c). To obtain the polar moment of inertia about point C , we must first obtain $\bar{I}_{y'}$, which may be found by interchanging the dimensions b and h in the result of part (a), i.e.,

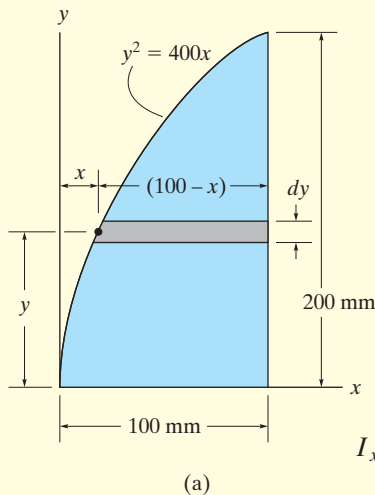
$$\bar{I}_{y'} = \frac{1}{12} hb^3$$

Using Eq. 10–2, the polar moment of inertia about C is therefore

$$\bar{J}_C = \bar{I}_{x'} + \bar{I}_{y'} = \frac{1}{12} bh(h^2 + b^2) \quad \text{Ans.}$$

**Fig. 10–5**

EXAMPLE 10.2



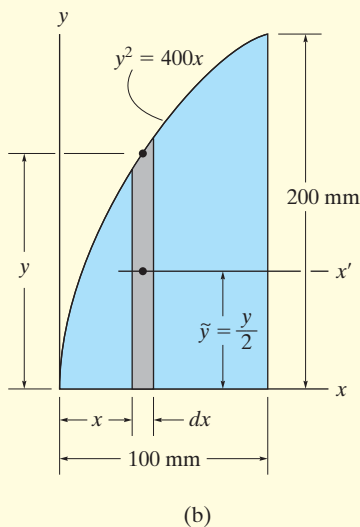
Determine the moment of inertia for the shaded area shown in Fig. 10–6a about the x axis.

SOLUTION I (CASE 1)

A differential element of area that is *parallel* to the x axis, as shown in Fig. 10–6a, is chosen for integration. Since this element has a thickness dy and intersects the curve at the *arbitrary point* (x, y) , its area is $dA = (100 - x) dy$. Furthermore, the element lies at the same distance y from the x axis. Hence, integrating with respect to y , from $y = 0$ to $y = 200$ mm, yields

$$\begin{aligned} I_x &= \int_A y^2 dA = \int_0^{200 \text{ mm}} y^2(100 - x) dy \\ &= \int_0^{200 \text{ mm}} y^2 \left(100 - \frac{y^2}{400} \right) dy = \int_0^{200 \text{ mm}} \left(100y^2 - \frac{y^4}{400} \right) dy \\ &= 107(10^6) \text{ mm}^4 \end{aligned}$$

Ans.



SOLUTION II (CASE 2)

A differential element *parallel* to the y axis, as shown in Fig. 10–6b, is chosen for integration. It intersects the curve at the *arbitrary point* (x, y) . In this case, all points of the element do *not* lie at the same distance from the x axis, and therefore the parallel-axis theorem must be used to determine the *moment of inertia of the element* with respect to this axis. For a rectangle having a base b and height h , the moment of inertia about its centroidal axis has been determined in part (a) of Example 10.1. There it was found that $\bar{I}_{x'} = \frac{1}{12}bh^3$. For the differential element shown in Fig. 10–6b, $b = dx$ and $h = y$, and thus $d\bar{I}_{x'} = \frac{1}{12}dx y^3$. Since the centroid of the element is $\tilde{y} = y/2$ from the x axis, the moment of inertia of the element about this axis is

$$dI_x = d\bar{I}_{x'} + dA \tilde{y}^2 = \frac{1}{12}dx y^3 + y dx \left(\frac{y}{2} \right)^2 = \frac{1}{3}y^3 dx$$

(This result can also be concluded from part (b) of Example 10.1.) Integrating with respect to x , from $x = 0$ to $x = 100$ mm, yields

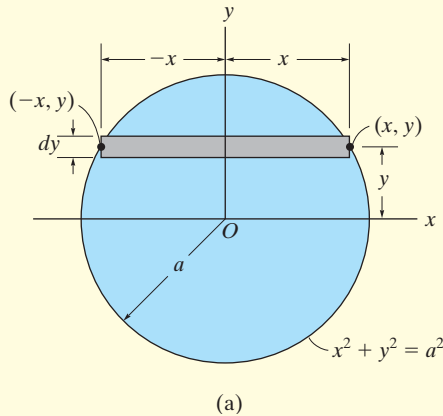
$$\begin{aligned} I_x &= \int dI_x = \int_0^{100 \text{ mm}} \frac{1}{3}y^3 dx = \int_0^{100 \text{ mm}} \frac{1}{3}(400x)^{3/2} dx \\ &= 107(10^6) \text{ mm}^4 \end{aligned}$$

Ans.

Fig. 10–6

EXAMPLE 10.3

Determine the moment of inertia with respect to the x axis for the circular area shown in Fig. 10–7a.

**SOLUTION I (CASE 1)**

Using the differential element shown in Fig. 10–7a, since $dA = 2x \, dy$, we have

$$\begin{aligned} I_x &= \int_A y^2 \, dA = \int_A y^2 (2x) \, dy \\ &= \int_{-a}^a y^2 (2\sqrt{a^2 - y^2}) \, dy = \frac{\pi a^4}{4} \quad \text{Ans.} \end{aligned}$$

SOLUTION II (CASE 2)

When the differential element shown in Fig. 10–7b is chosen, the centroid for the element happens to lie on the x axis, and since $\bar{I}_{x'} = \frac{1}{12}bh^3$ for a rectangle, we have

$$\begin{aligned} dI_x &= \frac{1}{12} dx (2y)^3 \\ &= \frac{2}{3} y^3 dx \end{aligned}$$

Integrating with respect to x yields

$$I_x = \int_{-a}^a \frac{2}{3} (a^2 - x^2)^{3/2} dx = \frac{\pi a^4}{4} \quad \text{Ans.}$$

NOTE: By comparison, Solution I requires much less computation. Therefore, if an integral using a particular element appears difficult to evaluate, try solving the problem using an element oriented in the other direction.

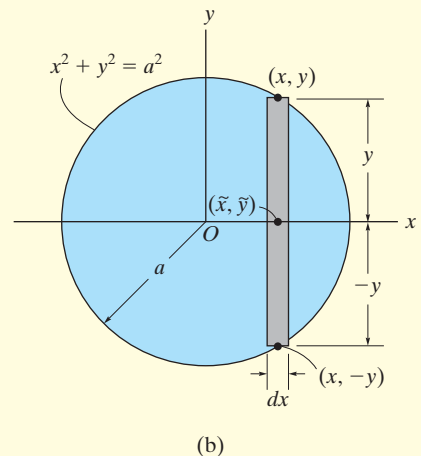
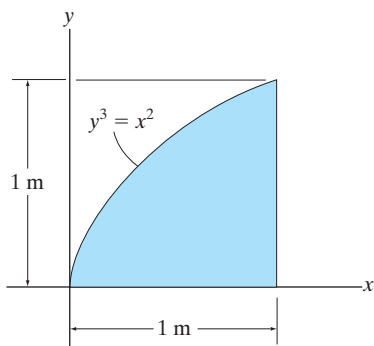


Fig. 10–7

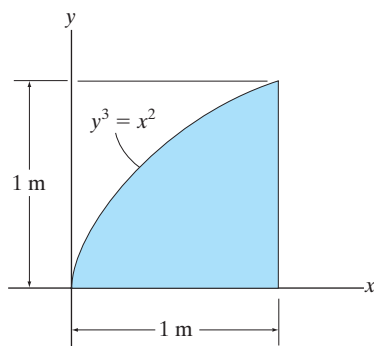
FUNDAMENTAL PROBLEMS

F10-1. Determine the moment of inertia of the shaded area about the x axis.



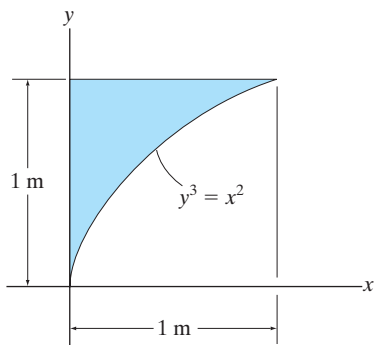
F10-1

F10-3. Determine the moment of inertia of the shaded area about the y axis.



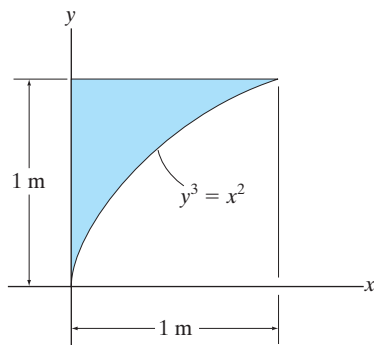
F10-3

F10-2. Determine the moment of inertia of the shaded area about the x axis.



F10-2

F10-4. Determine the moment of inertia of the shaded area about the y axis.

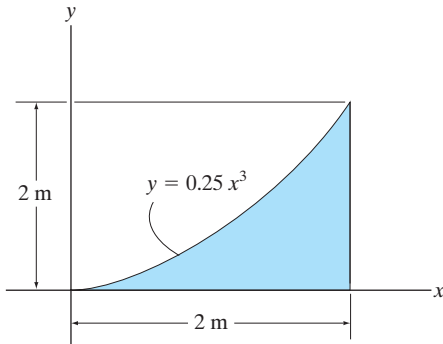


F10-4

PROBLEMS

•10-1. Determine the moment of inertia of the area about the x axis.

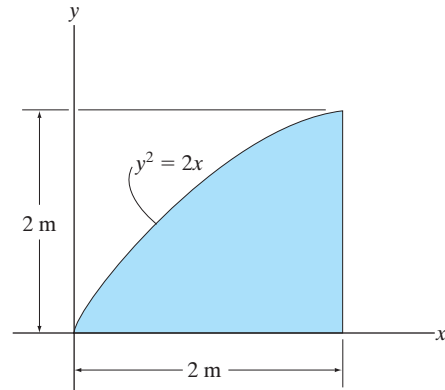
10-2. Determine the moment of inertia of the area about the y axis.



Probs. 10-1/2

•10-5. Determine the moment of inertia of the area about the x axis.

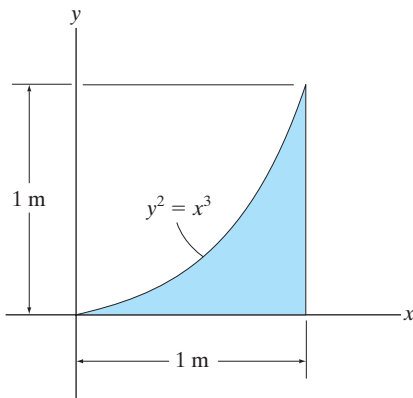
10-6. Determine the moment of inertia of the area about the y axis.



Probs. 10-5/6

10-3. Determine the moment of inertia of the area about the x axis.

*10-4. Determine the moment of inertia of the area about the y axis.

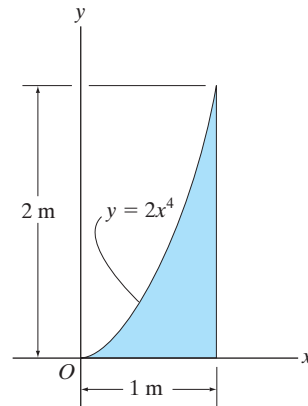


Probs. 10-3/4

10-7. Determine the moment of inertia of the area about the x axis.

*10-8. Determine the moment of inertia of the area about the y axis.

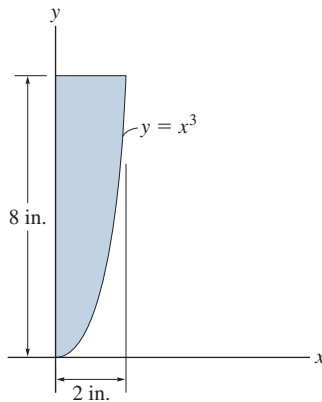
•10-9. Determine the polar moment of inertia of the area about the z axis passing through point O .



Probs. 10-7/8/9

10–10. Determine the moment of inertia of the area about the x axis.

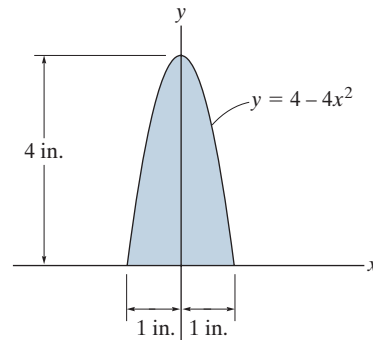
10–11. Determine the moment of inertia of the area about the y axis.



Probs. 10–10/11

10–14. Determine the moment of inertia of the area about the x axis. Solve the problem in two ways, using rectangular differential elements: (a) having a thickness of dx , and (b) having a thickness of dy .

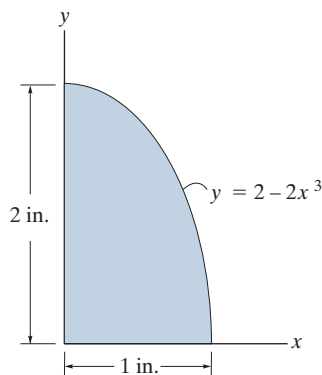
10–15. Determine the moment of inertia of the area about the y axis. Solve the problem in two ways, using rectangular differential elements: (a) having a thickness of dx , and (b) having a thickness of dy .



Probs. 10–14/15 k

***10–12.** Determine the moment of inertia of the area about the x axis.

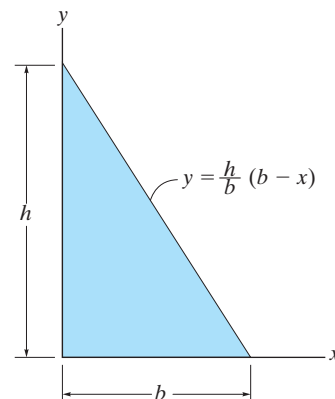
•10–13. Determine the moment of inertia of the area about the y axis.



Probs. 10–12/13

***10–16.** Determine the moment of inertia of the triangular area about the x axis.

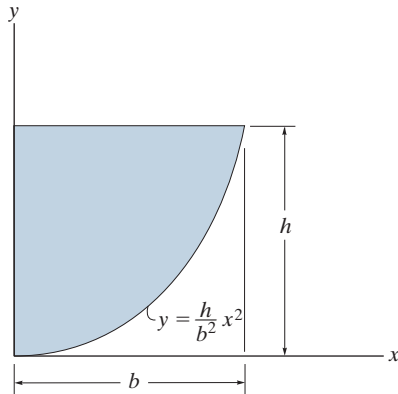
•10–17. Determine the moment of inertia of the triangular area about the y axis.



Probs. 10–16/17

10-18. Determine the moment of inertia of the area about the x axis.

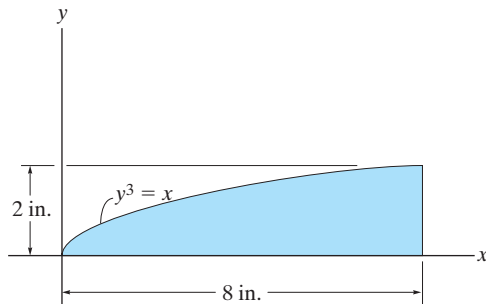
10-19. Determine the moment of inertia of the area about the y axis.



Probs. 10-18/19

***10-20.** Determine the moment of inertia of the area about the x axis.

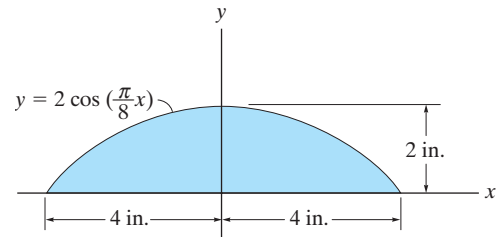
•10-21. Determine the moment of inertia of the area about the y axis.



Probs. 10-20/21

10-22. Determine the moment of inertia of the area about the x axis.

10-23. Determine the moment of inertia of the area about the y axis.

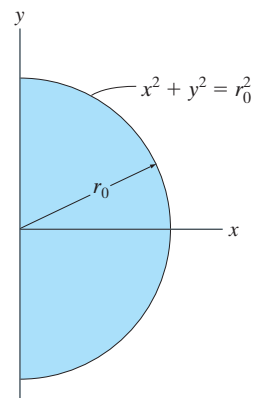


Probs. 10-22/23

***10-24.** Determine the moment of inertia of the area about the x axis.

•10-25. Determine the moment of inertia of the area about the y axis.

10-26. Determine the polar moment of inertia of the area about the z axis passing through point O .



Probs. 10-24/25/26

10.4 Moments of Inertia for Composite Areas

A composite area consists of a series of connected “simpler” parts or shapes, such as rectangles, triangles, and circles. Provided the moment of inertia of each of these parts is known or can be determined about a common axis, then the moment of inertia for the composite area about this axis equals the *algebraic sum* of the moments of inertia of all its parts.

Procedure for Analysis

The moment of inertia for a composite area about a reference axis can be determined using the following procedure.

Composite Parts.

- Using a sketch, divide the area into its composite parts and indicate the perpendicular distance from the centroid of each part to the reference axis.

Parallel-Axis Theorem.

- If the centroidal axis for each part does not coincide with the reference axis, the parallel-axis theorem, $I = \bar{I} + Ad^2$, should be used to determine the moment of inertia of the part about the reference axis. For the calculation of \bar{I} , use the table on the inside back cover.

Summation.

- The moment of inertia of the entire area about the reference axis is determined by summing the results of its composite parts about this axis.
- If a composite part has a “hole,” its moment of inertia is found by “subtracting” the moment of inertia of the hole from the moment of inertia of the entire part including the hole.

For design or analysis of this Tee beam, engineers must be able to locate the centroid of its cross-sectional area, and then find the moment of inertia of this area about the centroidal axis.



EXAMPLE 10.4

Determine the moment of inertia of the area shown in Fig. 10–8a about the x axis.

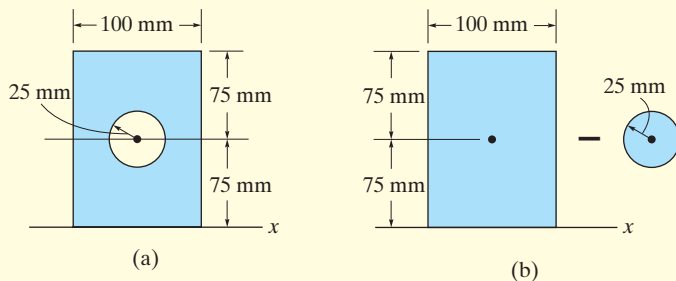


Fig. 10–8

SOLUTION

Composite Parts. The area can be obtained by *subtracting* the circle from the rectangle shown in Fig. 10–8b. The centroid of each area is located in the figure.

Parallel-Axis Theorem. The moments of inertia about the x axis are determined using the parallel-axis theorem and the data in the table on the inside back cover.

Circle

$$\begin{aligned} I_x &= \bar{I}_{x'} + Ad_y^2 \\ &= \frac{1}{4}\pi(25)^4 + \pi(25)^2(75)^2 = 11.4(10^6) \text{ mm}^4 \end{aligned}$$

Rectangle

$$\begin{aligned} I_x &= \bar{I}_{x'} + Ad_y^2 \\ &= \frac{1}{12}(100)(150)^3 + (100)(150)(75)^2 = 112.5(10^6) \text{ mm}^4 \end{aligned}$$

Summation. The moment of inertia for the area is therefore

$$\begin{aligned} I_x &= -11.4(10^6) + 112.5(10^6) \\ &= 101(10^6) \text{ mm}^4 \end{aligned} \quad \text{Ans.}$$

EXAMPLE 10.5

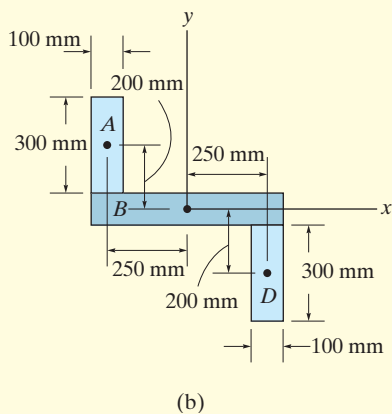
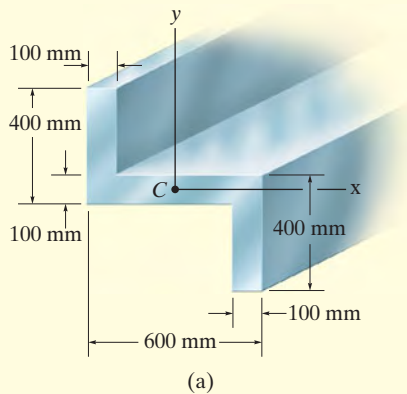


Fig. 10-9

Determine the moments of inertia for the cross-sectional area of the member shown in Fig. 10-9a about the x and y centroidal axes.

SOLUTION

Composite Parts. The cross section can be subdivided into the three rectangular areas A , B , and D shown in Fig. 10-9b. For the calculation, the centroid of each of these rectangles is located in the figure.

Parallel-Axis Theorem. From the table on the inside back cover, or Example 10.1, the moment of inertia of a rectangle about its centroidal axis is $\bar{I} = \frac{1}{12}bh^3$. Hence, using the parallel-axis theorem for rectangles A and D , the calculations are as follows:

Rectangles A and D

$$\begin{aligned} I_x &= \bar{I}_{x'} + Ad_y^2 = \frac{1}{12}(100)(300)^3 + (100)(300)(200)^2 \\ &= 1.425(10^9) \text{ mm}^4 \end{aligned}$$

$$\begin{aligned} I_y &= \bar{I}_{y'} + Ad_x^2 = \frac{1}{12}(300)(100)^3 + (100)(300)(250)^2 \\ &= 1.90(10^9) \text{ mm}^4 \end{aligned}$$

Rectangle B

$$I_x = \frac{1}{12}(600)(100)^3 = 0.05(10^9) \text{ mm}^4$$

$$I_y = \frac{1}{12}(100)(600)^3 = 1.80(10^9) \text{ mm}^4$$

Summation. The moments of inertia for the entire cross section are thus

$$\begin{aligned} I_x &= 2[1.425(10^9)] + 0.05(10^9) \\ &= 2.90(10^9) \text{ mm}^4 \end{aligned}$$

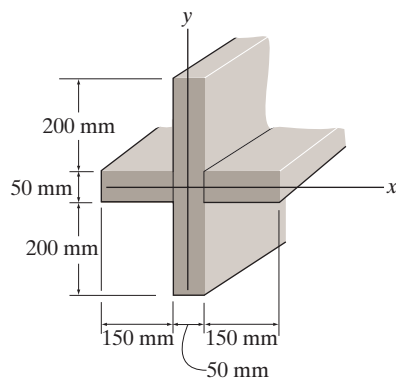
Ans.

$$\begin{aligned} I_y &= 2[1.90(10^9)] + 1.80(10^9) \\ &= 5.60(10^9) \text{ mm}^4 \end{aligned}$$

Ans.

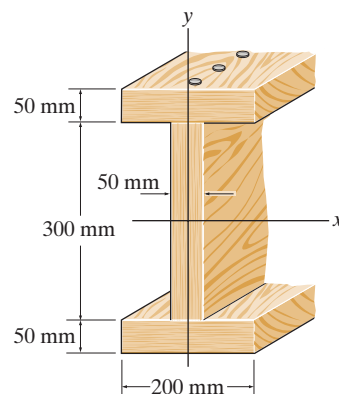
FUNDAMENTAL PROBLEMS

F10-5. Determine the moment of inertia of the beam's cross-sectional area about the centroidal x and y axes.



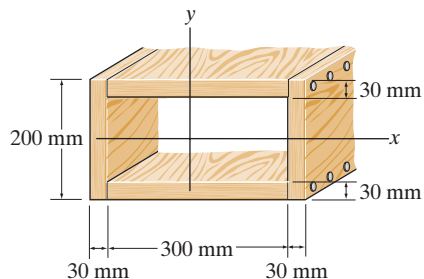
F10-5

F10-7. Determine the moment of inertia of the cross-sectional area of the channel with respect to the y axis.



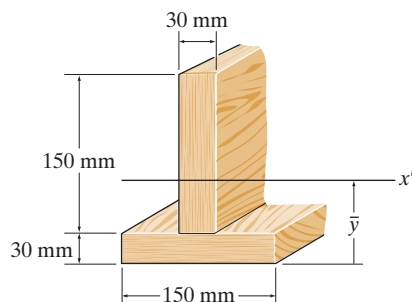
F10-7

F10-6. Determine the moment of inertia of the beam's cross-sectional area about the centroidal x and y axes.



F10-6

F10-8. Determine the moment of inertia of the cross-sectional area of the T-beam with respect to the x' axis passing through the centroid of the cross section.



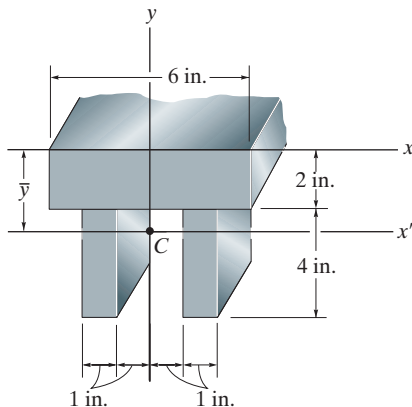
F10-8

PROBLEMS

10–27. Determine the distance \bar{y} to the centroid of the beam's cross-sectional area; then find the moment of inertia about the x' axis.

***10–28.** Determine the moment of inertia of the beam's cross-sectional area about the x axis.

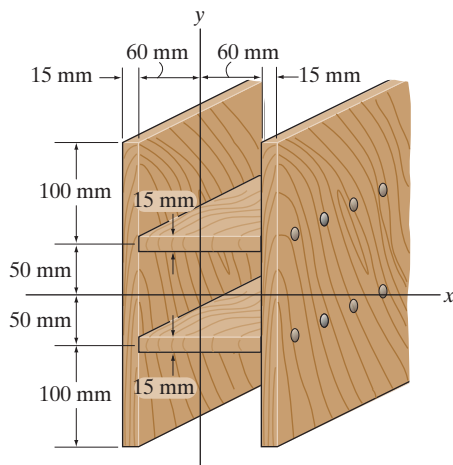
•10–29. Determine the moment of inertia of the beam's cross-sectional area about the y axis.



Probs. 10–27/28/29

10–30. Determine the moment of inertia of the beam's cross-sectional area about the x axis.

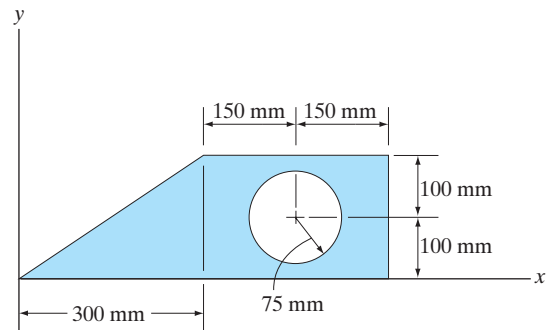
10–31. Determine the moment of inertia of the beam's cross-sectional area about the y axis.



Probs. 10–30/31

***10–32.** Determine the moment of inertia of the composite area about the x axis.

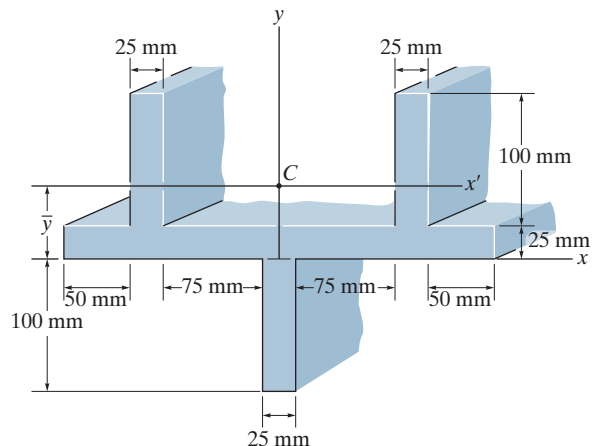
•10–33. Determine the moment of inertia of the composite area about the y axis.



Probs. 10–32/33

10–34. Determine the distance \bar{y} to the centroid of the beam's cross-sectional area; then determine the moment of inertia about the x' axis.

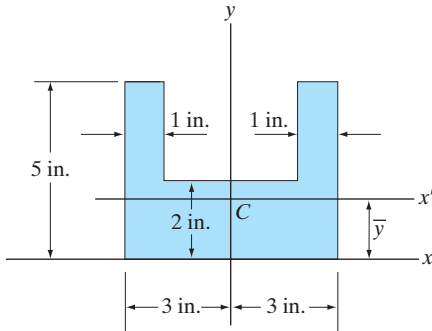
10–35. Determine the moment of inertia of the beam's cross-sectional area about the y axis.



Probs. 10–34/35

*10-36. Locate the centroid \bar{y} of the composite area, then determine the moment of inertia of this area about the centroidal x' axis.

•10-37. Determine the moment of inertia of the composite area about the centroidal y axis.

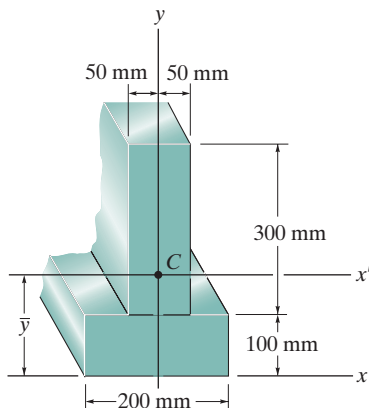


Probs. 10-36/37

10-38. Determine the distance \bar{y} to the centroid of the beam's cross-sectional area; then find the moment of inertia about the x' axis.

10-39. Determine the moment of inertia of the beam's cross-sectional area about the x axis.

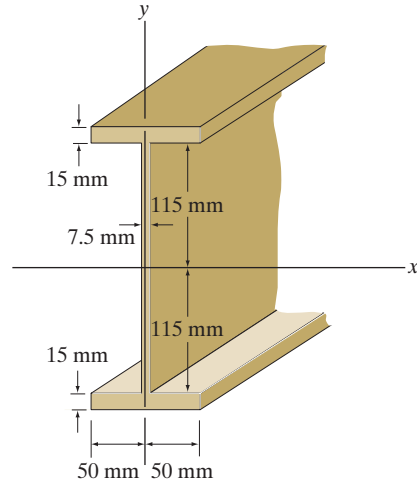
*10-40. Determine the moment of inertia of the beam's cross-sectional area about the y axis.



Probs. 10-38/39/40

•10-41. Determine the moment of inertia of the beam's cross-sectional area about the x axis.

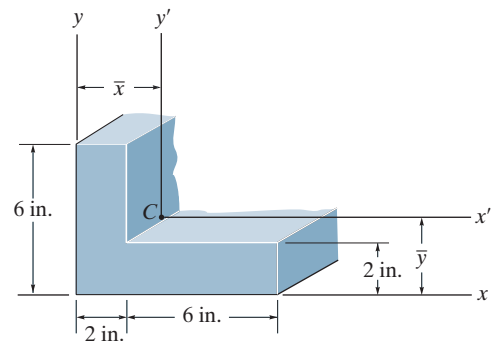
10-42. Determine the moment of inertia of the beam's cross-sectional area about the y axis.



Probs. 10-41/42

10-43. Locate the centroid \bar{y} of the cross-sectional area for the angle. Then find the moment of inertia $I_{x'}$ about the x' centroidal axis.

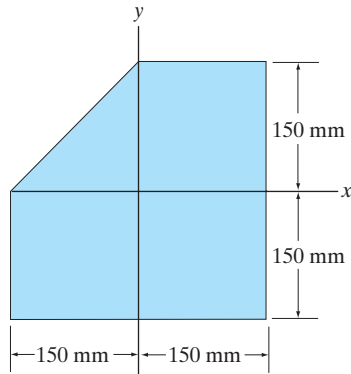
*10-44. Locate the centroid \bar{x} of the cross-sectional area for the angle. Then find the moment of inertia $I_{y'}$ about the y' centroidal axis.



Probs. 10-43/44

•10–45. Determine the moment of inertia of the composite area about the x axis.

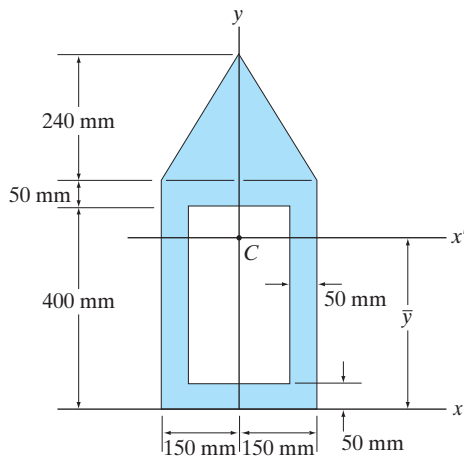
10–46. Determine the moment of inertia of the composite area about the y axis.



Probs. 10–45/46

10–47. Determine the moment of inertia of the composite area about the centroidal y axis.

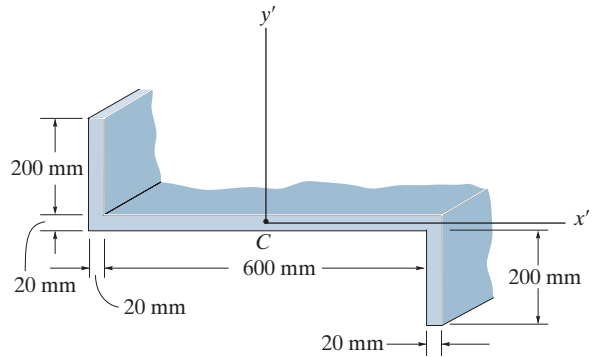
*10–48. Locate the centroid \bar{y} of the composite area, then determine the moment of inertia of this area about the x' axis.



Probs. 10–47/48

•10–49. Determine the moment of inertia $I_{x'}$ of the section. The origin of coordinates is at the centroid C .

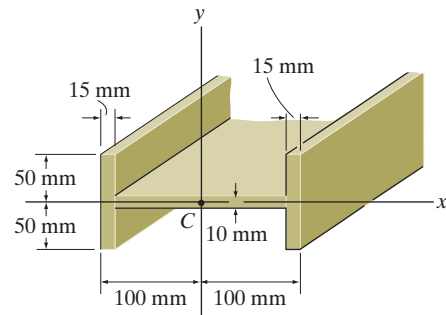
10–50. Determine the moment of inertia $I_{y'}$ of the section. The origin of coordinates is at the centroid C .



Probs. 10–49/50

10–51. Determine the beam's moment of inertia I_x about the centroidal x axis.

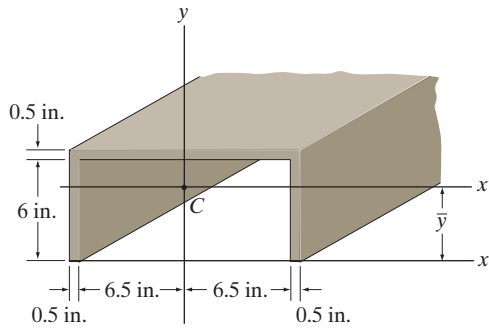
*10–52. Determine the beam's moment of inertia I_y about the centroidal y axis.



Probs. 10–51/52

•10-53. Locate the centroid \bar{y} of the channel's cross-sectional area, then determine the moment of inertia of the area about the centroidal x' axis.

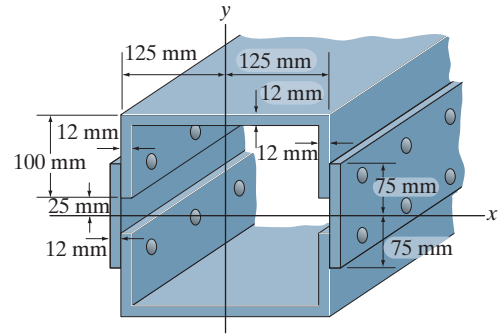
10-54. Determine the moment of inertia of the area of the channel about the y axis.



Probs. 10-53/54

•10-57. Determine the moment of inertia of the beam's cross-sectional area about the x axis.

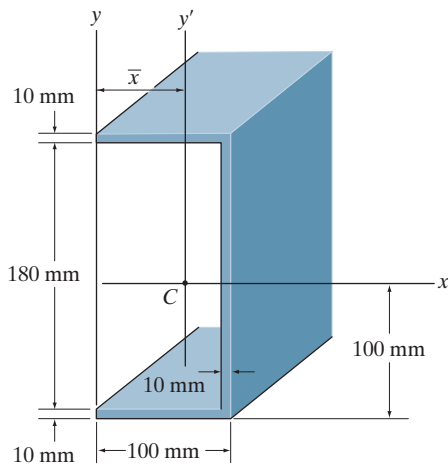
10-58. Determine the moment of inertia of the beam's cross-sectional area about the y axis.



Probs. 10-57/58

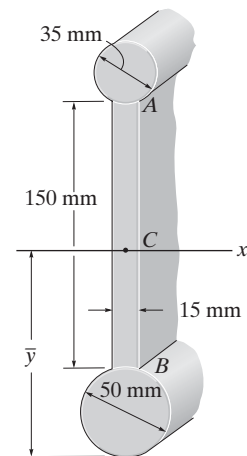
10-55. Determine the moment of inertia of the cross-sectional area about the x axis.

*10-56. Locate the centroid \bar{x} of the beam's cross-sectional area, and then determine the moment of inertia of the area about the centroidal y' axis.



Probs. 10-55/56

10-59. Determine the moment of inertia of the beam's cross-sectional area with respect to the x' axis passing through the centroid C of the cross section. $\bar{y} = 104.3$ mm.



Prob. 10-59

*10.5 Product of Inertia for an Area

It will be shown in the next section that the property of an area, called the product of inertia, is required in order to determine the *maximum* and *minimum* moments of inertia for the area. These maximum and minimum values are important properties needed for designing structural and mechanical members such as beams, columns, and shafts.

The *product of inertia* of the area in Fig. 10–10 with respect to the x and y axes is defined as

$$I_{xy} = \int_A xy \, dA \quad (10-7)$$

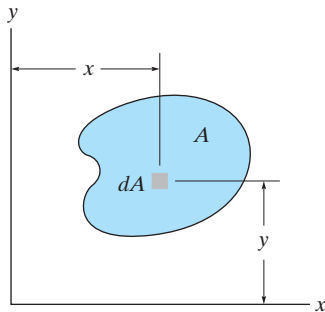


Fig. 10–10



The effectiveness of this beam to resist bending can be determined once its moments of inertia and its product of inertia are known.

If the element of area chosen has a differential size in two directions, as shown in Fig. 10–10, a double integration must be performed to evaluate I_{xy} . Most often, however, it is easier to choose an element having a differential size or thickness in only one direction in which case the evaluation requires only a single integration (see Example 10.6).

Like the moment of inertia, the product of inertia has units of length raised to the fourth power, e.g., m^4 , mm^4 or ft^4 , in^4 . However, since x or y may be negative, the product of inertia may either be positive, negative, or zero, depending on the location and orientation of the coordinate axes. For example, the product of inertia I_{xy} for an area will be *zero* if either the x or y axis is an axis of *symmetry* for the area, as in Fig. 10–11. Here every element dA located at point (x, y) has a corresponding element dA located at $(x, -y)$. Since the products of inertia for these elements are, respectively, $xy \, dA$ and $-xy \, dA$, the algebraic sum or integration of all the elements that are chosen in this way will cancel each other. Consequently, the product of inertia for the total area becomes zero. It also follows from the definition of I_{xy} that the “sign” of this quantity depends on the quadrant where the area is located. As shown in Fig. 10–12, if the area is rotated from one quadrant to another, the sign of I_{xy} will change.

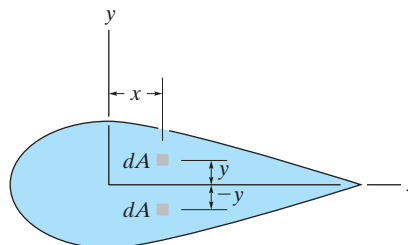


Fig. 10–11

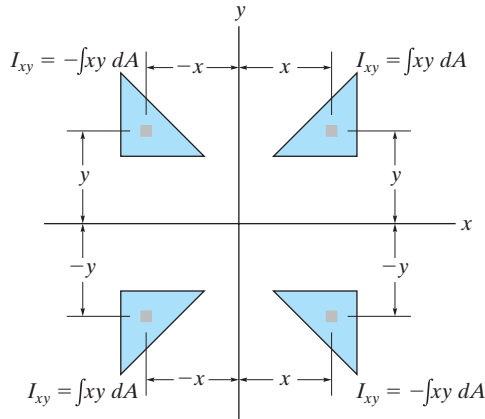


Fig. 10-12

Parallel-Axis Theorem. Consider the shaded area shown in Fig. 10-13, where x' and y' represent a set of axes passing through the *centroid* of the area, and x and y represent a corresponding set of parallel axes. Since the product of inertia of dA with respect to the x and y axes is $dI_{xy} = (x' + d_x)(y' + d_y) dA$, then for the entire area,

$$\begin{aligned} I_{xy} &= \int_A (x' + d_x)(y' + d_y) dA \\ &= \int_A x'y' dA + d_x \int_A y' dA + d_y \int_A x' dA + d_x d_y \int_A dA \end{aligned}$$

The first term on the right represents the product of inertia for the area with respect to the centroidal axes, $\bar{I}_{x'y'}$. The integrals in the second and third terms are zero since the moments of the area are taken about the centroidal axis. Realizing that the fourth integral represents the entire area A , the parallel-axis theorem for the product of inertia becomes

$$I_{xy} = \bar{I}_{x'y'} + Ad_x d_y \quad (10-8)$$

It is important that the *algebraic signs* for d_x and d_y be maintained when applying this equation.

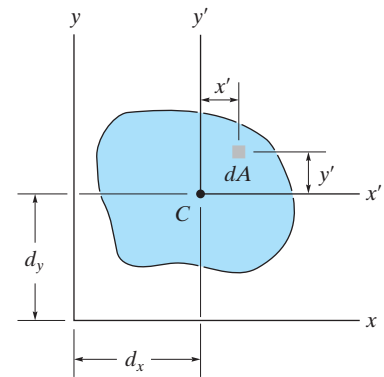
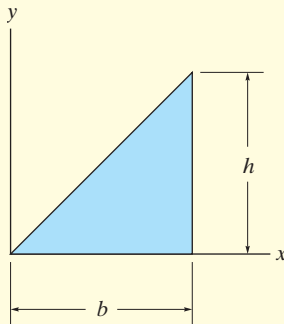


Fig. 10-13

EXAMPLE 10.6



(a)

Determine the product of inertia I_{xy} for the triangle shown in Fig. 10–14a.

SOLUTION I

A differential element that has a thickness dx , as shown in Fig. 10–14b, has an area $dA = y dx$. The product of inertia of this element with respect to the x and y axes is determined using the parallel-axis theorem.

$$dI_{xy} = d\bar{I}_{x'y'} + dA \tilde{x} \tilde{y}$$

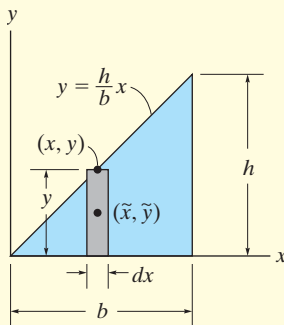
where \tilde{x} and \tilde{y} locate the *centroid* of the element or the origin of the x' , y' axes. (See Fig. 10–13.) Since $d\bar{I}_{x'y'} = 0$, due to symmetry, and $\tilde{x} = x$, $\tilde{y} = y/2$, then

$$\begin{aligned} dI_{xy} &= 0 + (y dx)x\left(\frac{y}{2}\right) = \left(\frac{h}{b}x dx\right)x\left(\frac{h}{2b}x\right) \\ &= \frac{h^2}{2b^2}x^3 dx \end{aligned}$$

Integrating with respect to x from $x = 0$ to $x = b$ yields

$$I_{xy} = \frac{h^2}{2b^2} \int_0^b x^3 dx = \frac{b^2 h^2}{8}$$

Ans.



(b)

SOLUTION II

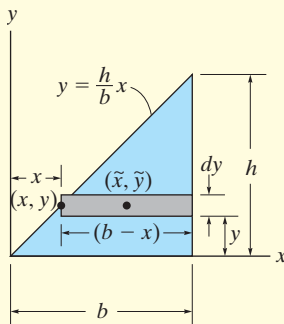
The differential element that has a thickness dy , as shown in Fig. 10–14c, can also be used. Its area is $dA = (b - x) dy$. The *centroid* is located at point $\tilde{x} = x + (b - x)/2 = (b + x)/2$, $\tilde{y} = y$, so the product of inertia of the element becomes

$$\begin{aligned} dI_{xy} &= d\bar{I}_{x'y'} + dA \tilde{x} \tilde{y} \\ &= 0 + (b - x) dy \left(\frac{b + x}{2}\right) y \\ &= \left(b - \frac{b}{h}y\right) dy \left[\frac{b + (b/h)y}{2}\right] y = \frac{1}{2}y \left(b^2 - \frac{b^2}{h^2}y^2\right) dy \end{aligned}$$

Integrating with respect to y from $y = 0$ to $y = h$ yields

$$I_{xy} = \frac{1}{2} \int_0^h y \left(b^2 - \frac{b^2}{h^2}y^2\right) dy = \frac{b^2 h^2}{8}$$

Ans.

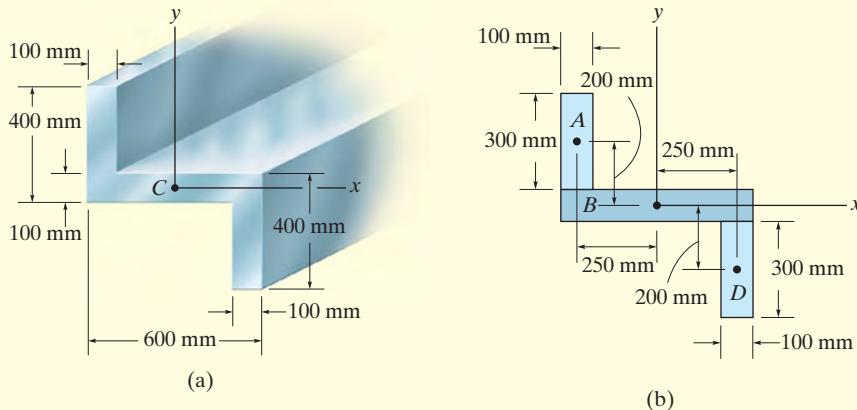


(c)

Fig. 10–14

EXAMPLE 10.7

Determine the product of inertia for the cross-sectional area of the member shown in Fig. 10–15*a*, about the x and y centroidal axes.

**Fig. 10–15****SOLUTION**

As in Example 10.5, the cross section can be subdivided into three composite rectangular areas A , B , and D , Fig. 10–15*b*. The coordinates for the centroid of each of these rectangles are shown in the figure. Due to symmetry, the product of inertia of *each* rectangle is zero about a set of x' , y' axes that passes through the centroid of each rectangle. Using the parallel-axis theorem, we have

Rectangle A

$$\begin{aligned} I_{xy} &= \bar{I}_{x'y'} + Ad_xd_y \\ &= 0 + (300)(100)(-250)(200) = -1.50(10^9) \text{ mm}^4 \end{aligned}$$

Rectangle B

$$\begin{aligned} I_{xy} &= \bar{I}_{x'y'} + Ad_xd_y \\ &= 0 + 0 = 0 \end{aligned}$$

Rectangle D

$$\begin{aligned} I_{xy} &= \bar{I}_{x'y'} + Ad_xd_y \\ &= 0 + (300)(100)(250)(-200) = -1.50(10^9) \text{ mm}^4 \end{aligned}$$

The product of inertia for the entire cross section is therefore

$$I_{xy} = -1.50(10^9) + 0 - 1.50(10^9) = -3.00(10^9) \text{ mm}^4 \text{ Ans.}$$

NOTE: This negative result is due to the fact that rectangles A and D have centroids located with negative x and negative y coordinates, respectively.

*10.6 Moments of Inertia for an Area about Inclined Axes

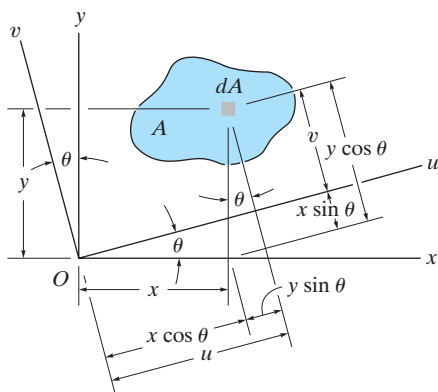


Fig. 10-16

In structural and mechanical design, it is sometimes necessary to calculate the moments and product of inertia I_u , I_v , and I_{uv} for an area with respect to a set of inclined u and v axes when the values for θ , I_x , I_y , and I_{xy} are known. To do this we will use *transformation equations* which relate the x , y and u , v coordinates. From Fig. 10-16, these equations are

$$u = x \cos \theta + y \sin \theta$$

$$v = y \cos \theta - x \sin \theta$$

With these equations, the moments and product of inertia of dA about the u and v axes become

$$dI_u = v^2 dA = (y \cos \theta - x \sin \theta)^2 dA$$

$$dI_v = u^2 dA = (x \cos \theta + y \sin \theta)^2 dA$$

$$dI_{uv} = uv dA = (x \cos \theta + y \sin \theta)(y \cos \theta - x \sin \theta) dA$$

Expanding each expression and integrating, realizing that $I_x = \int y^2 dA$, $I_y = \int x^2 dA$, and $I_{xy} = \int xy dA$, we obtain

$$I_u = I_x \cos^2 \theta + I_y \sin^2 \theta - 2I_{xy} \sin \theta \cos \theta$$

$$I_v = I_x \sin^2 \theta + I_y \cos^2 \theta + 2I_{xy} \sin \theta \cos \theta$$

$$I_{uv} = I_x \sin \theta \cos \theta - I_y \sin \theta \cos \theta + I_{xy}(\cos^2 \theta - \sin^2 \theta)$$

Using the trigonometric identities $\sin 2\theta = 2 \sin \theta \cos \theta$ and $\cos 2\theta = \cos^2 \theta - \sin^2 \theta$ we can simplify the above expressions, in which case

$$\begin{aligned} I_u &= \frac{I_x + I_y}{2} + \frac{I_x - I_y}{2} \cos 2\theta - I_{xy} \sin 2\theta \\ I_v &= \frac{I_x + I_y}{2} - \frac{I_x - I_y}{2} \cos 2\theta + I_{xy} \sin 2\theta \\ I_{uv} &= \frac{I_x - I_y}{2} \sin 2\theta + I_{xy} \cos 2\theta \end{aligned} \quad (10-9)$$

Notice that if the first and second equations are added together, we can show that the polar moment of inertia about the z axis passing through point O is, as expected, *independent* of the orientation of the u and v axes; i.e.,

$$J_O = I_u + I_v = I_x + I_y$$

Principal Moments of Inertia. Equations 10–9 show that I_u , I_v , and I_{uv} depend on the angle of inclination, θ , of the u , v axes. We will now determine the orientation of these axes about which the moments of inertia for the area are maximum and minimum. This particular set of axes is called the *principal axes* of the area, and the corresponding moments of inertia with respect to these axes are called the *principal moments of inertia*. In general, there is a set of principal axes for every chosen origin O . However, for structural and mechanical design, the origin O is located at the centroid of the area.

The angle which defines the orientation of the principal axes can be found by differentiating the first of Eqs. 10–9 with respect to θ and setting the result equal to zero. Thus,

$$\frac{dI_u}{d\theta} = -2\left(\frac{I_x - I_y}{2}\right) \sin 2\theta - 2I_{xy} \cos 2\theta = 0$$

Therefore, at $\theta = \theta_p$,

$$\tan 2\theta_p = \frac{-I_{xy}}{(I_x - I_y)/2} \quad (10-10)$$

The two roots θ_{p_1} and θ_{p_2} of this equation are 90° apart, and so they each specify the inclination of one of the principal axes. In order to substitute them into Eq. 10–9, we must first find the sine and cosine of $2\theta_{p_1}$ and $2\theta_{p_2}$. This can be done using these ratios from the triangles shown in Fig. 10–17, which are based on Eq. 10–10.

Substituting each of the sine and cosine ratios into the first or second of Eqs. 10–9 and simplifying, we obtain

$$I_{\min}^{\max} = \frac{I_x + I_y}{2} \pm \sqrt{\left(\frac{I_x - I_y}{2}\right)^2 + I_{xy}^2} \quad (10-11)$$

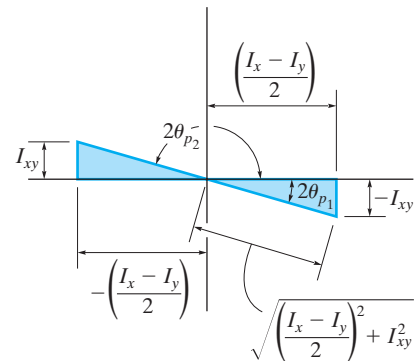
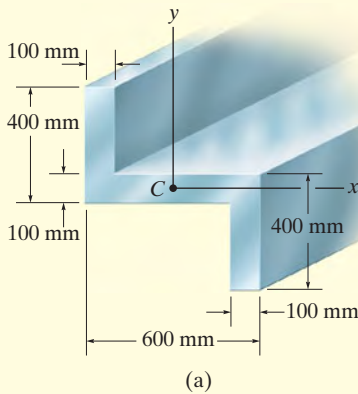


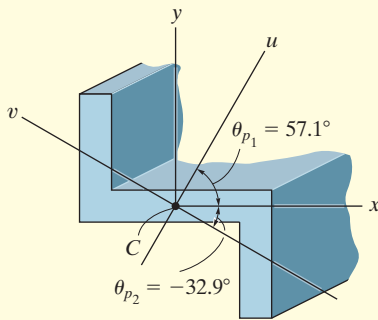
Fig. 10–17

Depending on the sign chosen, this result gives the maximum or minimum moment of inertia for the area. Furthermore, if the above trigonometric relations for θ_{p_1} and θ_{p_2} are substituted into the third of Eqs. 10–9, it can be shown that $I_{uv} = 0$; that is, the *product of inertia with respect to the principal axes is zero*. Since it was indicated in Sec. 10.6 that the product of inertia is zero with respect to any symmetrical axis, it therefore follows that *any symmetrical axis represents a principal axis of inertia for the area*.

EXAMPLE 10.8



(a)



(b)

Fig. 10-18

Determine the principal moments of inertia and the orientation of the principal axes for the cross-sectional area of the member shown in Fig. 10-18a with respect to an axis passing through the centroid.

SOLUTION

The moments and product of inertia of the cross section with respect to the x, y axes have been determined in Examples 10.5 and 10.7. The results are

$$I_x = 2.90(10^9) \text{ mm}^4 \quad I_y = 5.60(10^9) \text{ mm}^4 \quad I_{xy} = -3.00(10^9) \text{ mm}^4$$

Using Eq. 10-10, the angles of inclination of the principal axes u and v are

$$\tan 2\theta_p = \frac{-I_{xy}}{(I_x - I_y)/2} = \frac{-[-3.00(10^9)]}{[2.90(10^9) - 5.60(10^9)]/2} = -2.22$$

$$2\theta_p = -65.8^\circ \text{ and } 114.2^\circ$$

Thus, by inspection of Fig. 10-18b,

$$\theta_{p_2} = -32.9^\circ \quad \text{and} \quad \theta_{p_1} = 57.1^\circ \quad \text{Ans.}$$

The principal moments of inertia with respect to these axes are determined from Eq. 10-11. Hence,

$$I_{\min}^{\max} = \frac{I_x + I_y}{2} \pm \sqrt{\left(\frac{I_x - I_y}{2}\right)^2 + I_{xy}^2}$$

$$= \frac{2.90(10^9) + 5.60(10^9)}{2}$$

$$\pm \sqrt{\left[\frac{2.90(10^9) - 5.60(10^9)}{2}\right]^2 + [-3.00(10^9)]^2}$$

$$I_{\min}^{\max} = 4.25(10^9) \pm 3.29(10^9)$$

or

$$I_{\max} = 7.54(10^9) \text{ mm}^4 \quad I_{\min} = 0.960(10^9) \text{ mm}^4 \quad \text{Ans.}$$

NOTE: The maximum moment of inertia, $I_{\max} = 7.54(10^9) \text{ mm}^4$, occurs with respect to the u axis since *by inspection* most of the cross-sectional area is farthest away from this axis. Or, stated in another manner, I_{\max} occurs about the u axis since this axis is located within $\pm 45^\circ$ of the y axis, which has the larger value of I ($I_y > I_x$). Also, this can be concluded by substituting the data with $\theta = 57.1^\circ$ into the first of Eqs. 10-9 and solving for I_u .

*10.7 Mohr's Circle for Moments of Inertia

Equations 10–9 to 10–11 have a graphical solution that is convenient to use and generally easy to remember. Squaring the first and third of Eqs. 10–9 and adding, it is found that

$$\left(I_u - \frac{I_x + I_y}{2}\right)^2 + I_{uv}^2 = \left(\frac{I_x - I_y}{2}\right)^2 + I_{xy}^2$$

Here I_x , I_y , and I_{xy} are *known constants*. Thus, the above equation may be written in compact form as

$$(I_u - a)^2 + I_{uv}^2 = R^2$$

When this equation is plotted on a set of axes that represent the respective moment of inertia and the product of inertia, as shown in Fig. 10–19, the resulting graph represents a *circle* of radius

$$R = \sqrt{\left(\frac{I_x - I_y}{2}\right)^2 + I_{xy}^2}$$

and having its center located at point $(a, 0)$, where $a = (I_x + I_y)/2$. The circle so constructed is called *Mohr's circle*, named after the German engineer Otto Mohr (1835–1918).

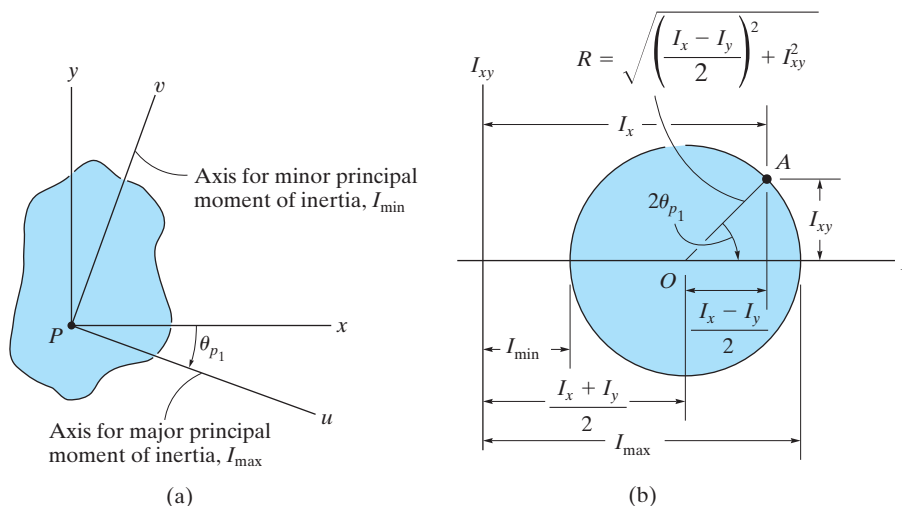


Fig. 10–19

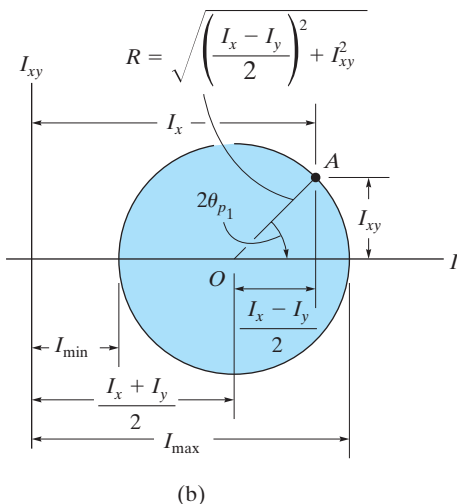
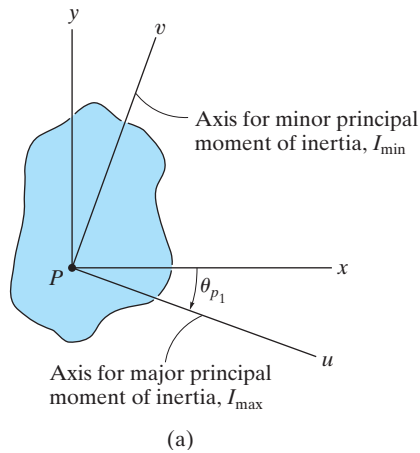


Fig. 10-19

Procedure for Analysis

The main purpose in using Mohr's circle here is to have a convenient means for finding the principal moments of inertia for an area. The following procedure provides a method for doing this.

Determine I_x , I_y , and I_{xy}

- Establish the x, y axes and determine I_x, I_y , and I_{xy} , Fig. 10-19a.

Construct the Circle.

- Construct a rectangular coordinate system such that the abscissa represents the moment of inertia I , and the ordinate represents the product of inertia I_{xy} , Fig. 10-19b.
- Determine the center of the circle, O , which is located at a distance $(I_x + I_y)/2$ from the origin, and plot the reference point A having coordinates (I_x, I_{xy}) . Remember, I_x is always positive, whereas I_{xy} can be either positive or negative.
- Connect the reference point A with the center of the circle and determine the distance OA by trigonometry. This distance represents the radius of the circle, Fig. 10-19b. Finally, draw the circle.

Principal Moments of Inertia.

- The points where the circle intersects the I axis give the values of the principal moments of inertia I_{\min} and I_{\max} . Notice that, as expected, the *product of inertia will be zero at these points*, Fig. 10-19b.

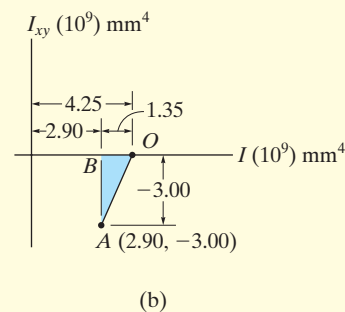
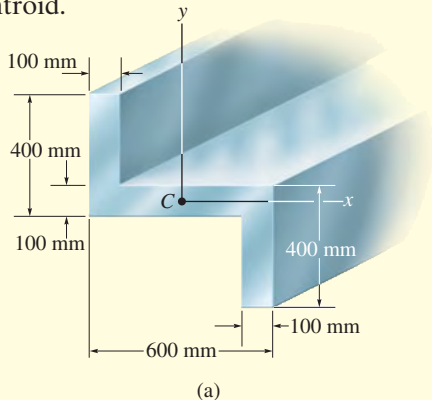
Principal Axes.

- To find the orientation of the major principal axis, use trigonometry to find the angle $2\theta_{p1}$, *measured from the radius OA to the positive I axis*, Fig. 10-19b. This angle represents *twice the angle from the x axis to the axis of maximum moment of inertia I_{\max}* , Fig. 10-19a. Both the angle on the circle, $2\theta_{p1}$, and the angle θ_{p1} , *must be measured in the same sense*, as shown in Fig. 10-19. The axis for minimum moment of inertia I_{\min} is perpendicular to the axis for I_{\max} .

Using trigonometry, the above procedure can be verified to be in accordance with the equations developed in Sec. 10.6.

EXAMPLE 10.9

Using Mohr's circle, determine the principal moments of inertia and the orientation of the major principal axes for the cross-sectional area of the member shown in Fig. 10–20a, with respect to an axis passing through the centroid.



SOLUTION

Determine I_x , I_y , I_{xy} . The moments and product of inertia have been determined in Examples 10.5 and 10.7 with respect to the x , y axes shown in Fig. 10–20a. The results are $I_x = 2.90(10^9) \text{ mm}^4$, $I_y = 5.60(10^9) \text{ mm}^4$, and $I_{xy} = -3.00(10^9) \text{ mm}^4$.

Construct the Circle. The I and I_{xy} axes are shown in Fig. 10–20b. The center of the circle, O , lies at a distance $(I_x + I_y)/2 = (2.90 + 5.60)/2 = 4.25$ from the origin. When the reference point $A(I_x, I_{xy})$ or $A(2.90, -3.00)$ is connected to point O , the radius OA is determined from the triangle OBA using the Pythagorean theorem.

$$OA = \sqrt{(1.35)^2 + (-3.00)^2} = 3.29$$

The circle is constructed in Fig. 10–20c.

Principal Moments of Inertia. The circle intersects the I axis at points $(7.54, 0)$ and $(0.960, 0)$. Hence,

$$I_{\max} = (4.25 + 3.29)10^9 = 7.54(10^9) \text{ mm}^4 \quad \text{Ans.}$$

$$I_{\min} = (4.25 - 3.29)10^9 = 0.960(10^9) \text{ mm}^4 \quad \text{Ans.}$$

Principal Axes. As shown in Fig. 10–20c, the angle $2\theta_{p_1}$ is determined from the circle by measuring counterclockwise from OA to the direction of the positive I axis. Hence,

$$2\theta_{p_1} = 180^\circ - \sin^{-1}\left(\frac{|BA|}{|OA|}\right) = 180^\circ - \sin^{-1}\left(\frac{3.00}{3.29}\right) = 114.2^\circ$$

The principal axis for $I_{\max} = 7.54(10^9) \text{ mm}^4$ is therefore oriented at an angle $\theta_{p_1} = 57.1^\circ$, measured counterclockwise, from the positive x axis to the positive u axis. The v axis is perpendicular to this axis. The results are shown in Fig. 10–20d.

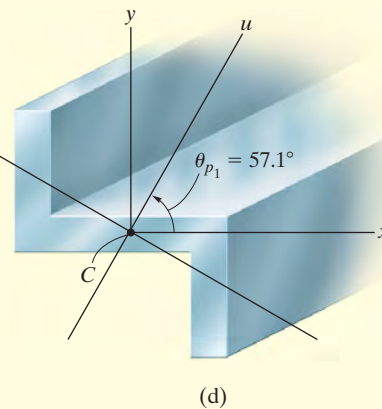
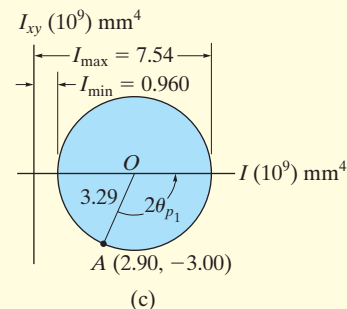
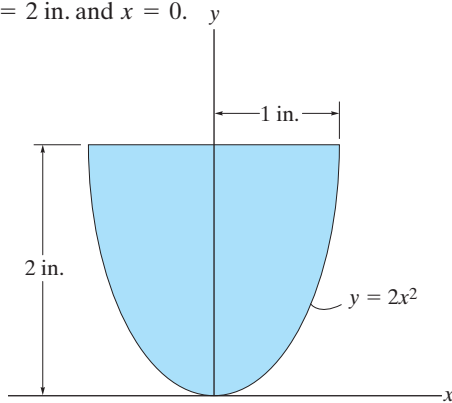


Fig. 10–20

PROBLEMS

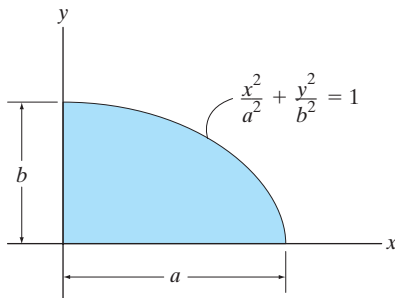
***10-60.** Determine the product of inertia of the parabolic area with respect to the x and y axes.

•10-61. Determine the product of inertia I_{xy} of the right half of the parabolic area in Prob. 10-60, bounded by the lines $y = 2$ in. and $x = 0$.



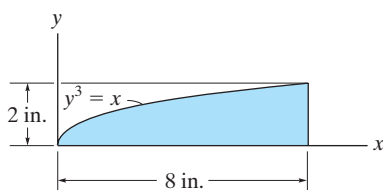
Probs. 10-60/61

10-62. Determine the product of inertia of the quarter elliptical area with respect to the x and y axes.



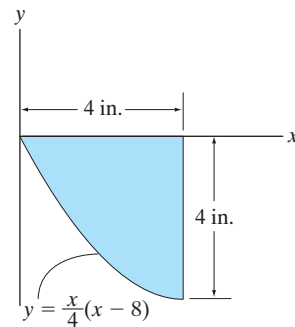
Prob. 10-62

10-63. Determine the product of inertia for the area with respect to the x and y axes.



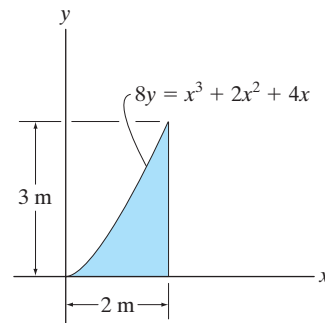
Prob. 10-63

***10-64.** Determine the product of inertia of the area with respect to the x and y axes.



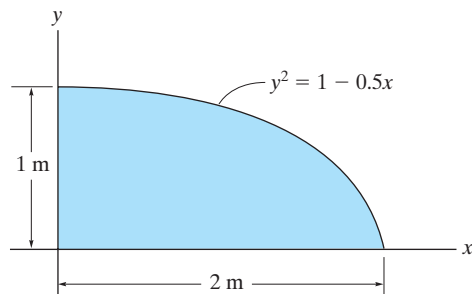
Prob. 10-64

•10-65. Determine the product of inertia of the area with respect to the x and y axes.



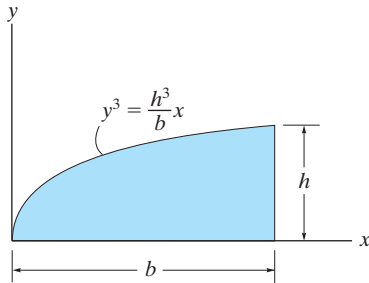
Prob. 10-65

10-66. Determine the product of inertia for the area with respect to the x and y axes.



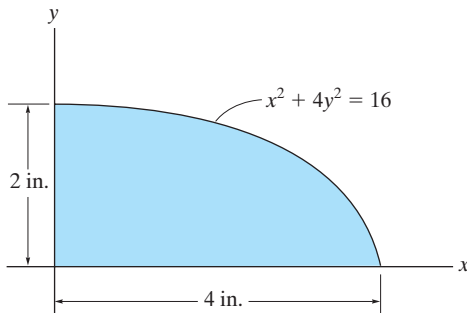
Prob. 10-66

10-67. Determine the product of inertia for the area with respect to the x and y axes.



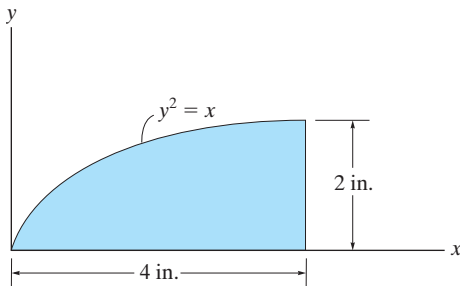
Prob. 10-67

***10-68.** Determine the product of inertia for the area of the ellipse with respect to the x and y axes.



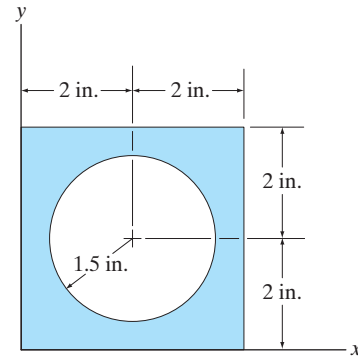
Prob. 10-68

•10-69. Determine the product of inertia for the parabolic area with respect to the x and y axes.



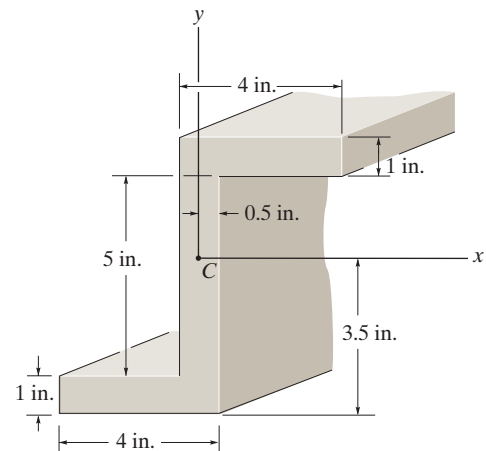
Prob. 10-69

10-70. Determine the product of inertia of the composite area with respect to the x and y axes.



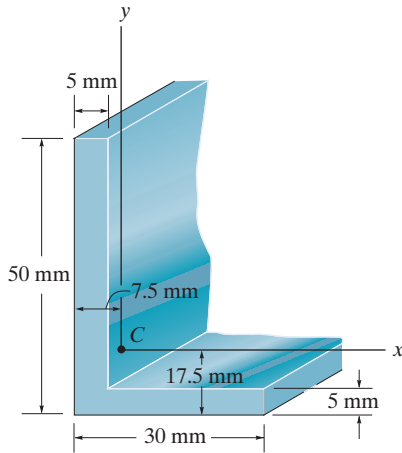
Prob. 10-70

10-71. Determine the product of inertia of the cross-sectional area with respect to the x and y axes that have their origin located at the centroid C .



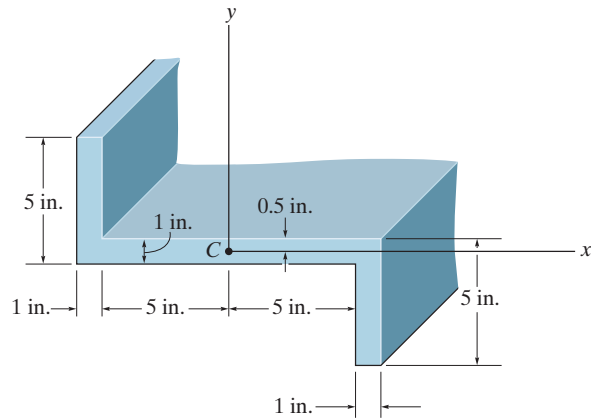
Prob. 10-71

***10-72.** Determine the product of inertia for the beam's cross-sectional area with respect to the x and y axes that have their origin located at the centroid C .



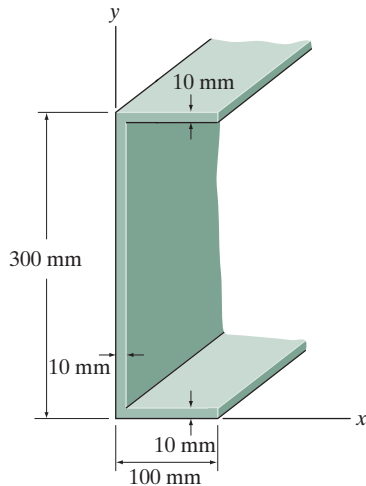
Prob. 10-72

10-74. Determine the product of inertia for the beam's cross-sectional area with respect to the x and y axes that have their origin located at the centroid C .



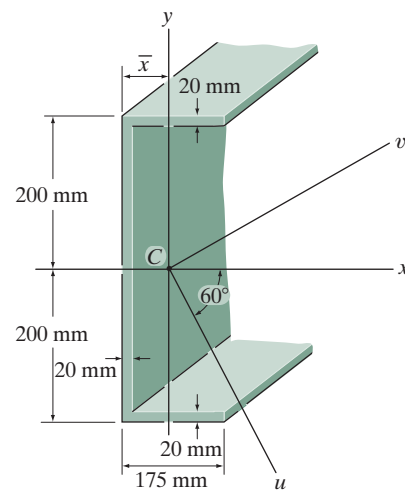
Prob. 10-74

•10-73. Determine the product of inertia of the beam's cross-sectional area with respect to the x and y axes.



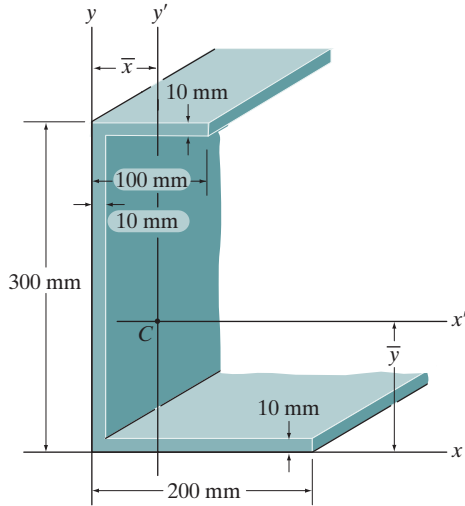
Prob. 10-73

10-75. Locate the centroid \bar{x} of the beam's cross-sectional area and then determine the moments of inertia and the product of inertia of this area with respect to the u and v axes. The axes have their origin at the centroid C .



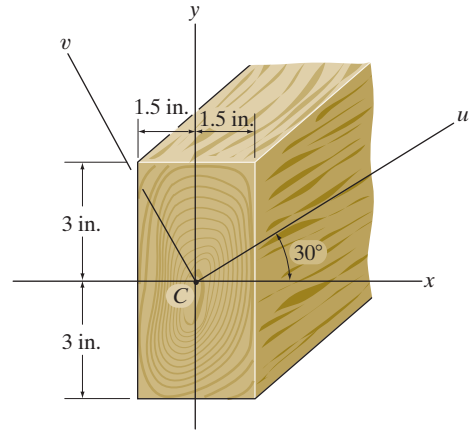
Prob. 10-75

*10-76. Locate the centroid (\bar{x}, \bar{y}) of the beam's cross-sectional area, and then determine the product of inertia of this area with respect to the centroidal x' and y' axes.



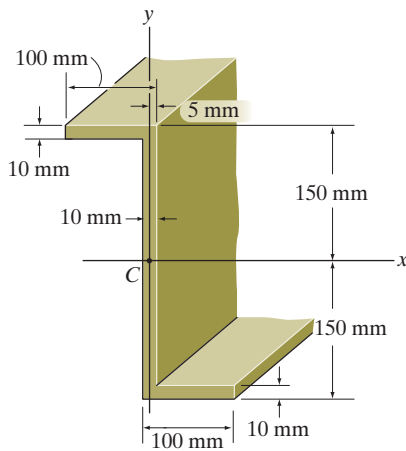
Prob. 10-76

10-78. Determine the moments of inertia and the product of inertia of the beam's cross-sectional area with respect to the u and v axes.



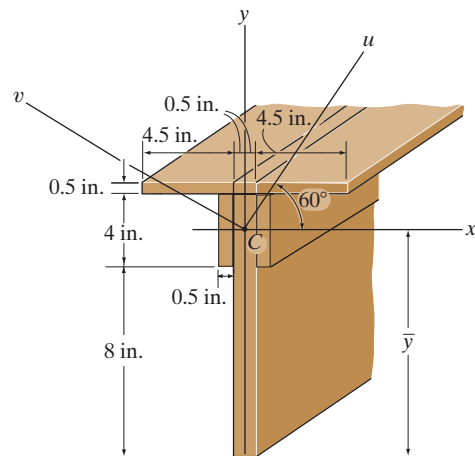
Prob. 10-78

•10-77. Determine the product of inertia of the beam's cross-sectional area with respect to the centroidal x and y axes.



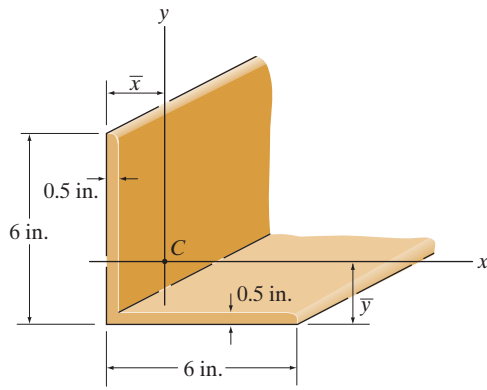
Prob. 10-77

10-79. Locate the centroid \bar{y} of the beam's cross-sectional area and then determine the moments of inertia and the product of inertia of this area with respect to the u and v axes.



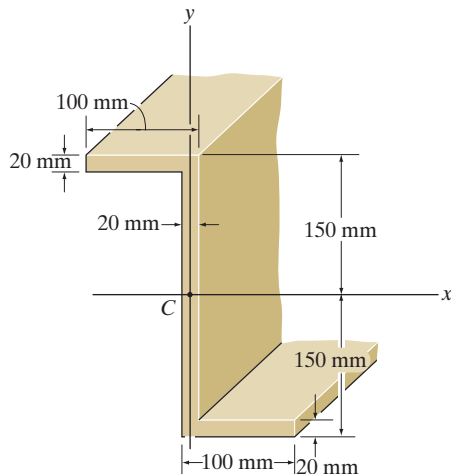
Prob. 10-79

***10–80.** Locate the centroid \bar{x} and \bar{y} of the cross-sectional area and then determine the orientation of the principal axes, which have their origin at the centroid C of the area. Also, find the principal moments of inertia.



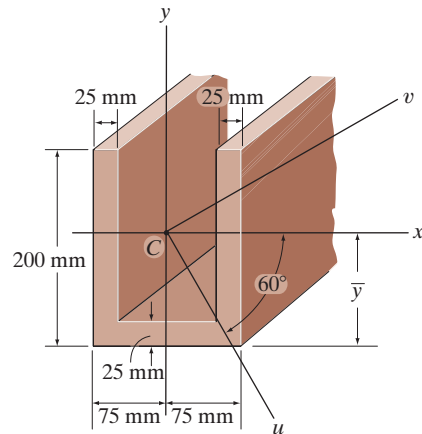
Prob. 10–80

•10–81. Determine the orientation of the principal axes, which have their origin at centroid C of the beam's cross-sectional area. Also, find the principal moments of inertia.



Prob. 10–81

10–82. Locate the centroid \bar{y} of the beam's cross-sectional area and then determine the moments of inertia of this area and the product of inertia with respect to the u and v axes. The axes have their origin at the centroid C .



Prob. 10–82

10–83. Solve Prob. 10–75 using Mohr's circle.

***10–84.** Solve Prob. 10–78 using Mohr's circle.

•10–85. Solve Prob. 10–79 using Mohr's circle.

10–86. Solve Prob. 10–80 using Mohr's circle.

10–87. Solve Prob. 10–81 using Mohr's circle.

***10–88.** Solve Prob. 10–82 using Mohr's circle.

10.8 Mass Moment of Inertia

The mass moment of inertia of a body is a measure of the body's resistance to angular acceleration. Since it is used in dynamics to study rotational motion, methods for its calculation will now be discussed.*

Consider the rigid body shown in Fig. 10–21. We define the *mass moment of inertia* of the body about the z axis as

$$I = \int_m r^2 dm \quad (10-12)$$

Here r is the perpendicular distance from the axis to the arbitrary element dm . Since the formulation involves r , the value of I is *unique* for each axis about which it is computed. The axis which is generally chosen, however, passes through the body's mass center G . Common units used for its measurement are $\text{kg} \cdot \text{m}^2$ or $\text{slug} \cdot \text{ft}^2$.

If the body consists of material having a density ρ , then $dm = \rho dV$, Fig. 10–22a. Substituting this into Eq. 10–12, the body's moment of inertia is then computed using *volume elements* for integration; i.e.

$$I = \int_V r^2 \rho dV \quad (10-13)$$

For most applications, ρ will be a *constant*, and so this term may be factored out of the integral, and the integration is then purely a function of geometry.

$$I = \rho \int_V r^2 dV \quad (10-14)$$

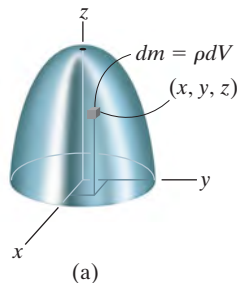


Fig. 10–22

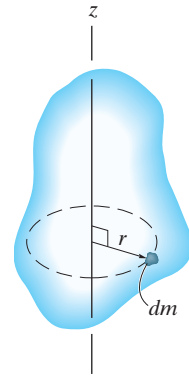


Fig. 10–21

*Another property of the body which measures the symmetry of the body's mass with respect to a coordinate system is the mass product of inertia. This property most often applies to the three-dimensional motion of a body and is discussed in *Engineering Mechanics: Dynamics* (Chapter 21).

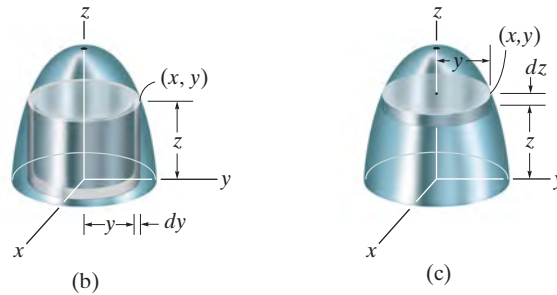


Fig. 10-22

Procedure for Analysis

If a body is symmetrical with respect to an axis, as in Fig. 10-22, then its mass moment of inertia about the axis can be determined by using a single integration. Shell and disk elements are used for this purpose.

Shell Element.

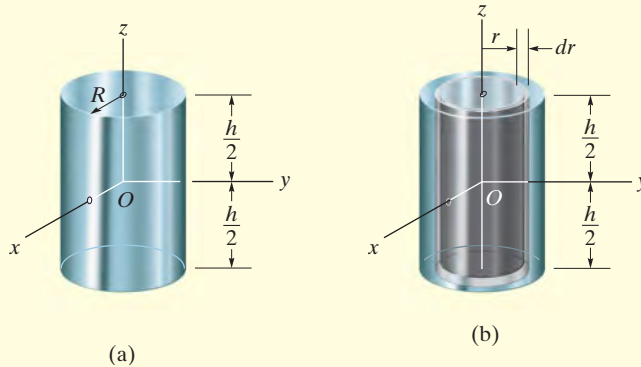
- If a *shell element* having a height z , radius y , and thickness dy is chosen for integration, Fig. 10-22b, then its volume is $dV = (2\pi y)(z) dy$.
- This element can be used in Eq. 10-13 or 10-14 for determining the moment of inertia I_z of the body about the z axis since the *entire element*, due to its “thinness,” lies at the *same* perpendicular distance $r = y$ from the z axis (see Example 10.10).

Disk Element.

- If a *disk element* having a radius y and a thickness dz is chosen for integration, Fig. 10-22c, then its volume is $dV = (\pi y^2) dz$.
- In this case the element is *finite* in the radial direction, and consequently its points *do not* all lie at the *same radial distance* r from the z axis. As a result, Eqs. 10-13 or 10-14 *cannot* be used to determine I_z . Instead, to perform the integration using this element, it is first necessary to determine the moment of inertia *of the element* about the z axis and then integrate this result (see Example 10.11).

EXAMPLE 10.10

Determine the mass moment of inertia of the cylinder shown in Fig. 10–23a about the z axis. The density of the material, ρ , is constant.

**Fig. 10–23****SOLUTION**

Shell Element. This problem will be solved using the *shell element* in Fig. 10–23b and thus only a single integration is required. The volume of the element is $dV = (2\pi r)(h) dr$, and so its mass is $dm = \rho dV = \rho(2\pi hr dr)$. Since the *entire element* lies at the same distance r from the z axis, the moment of inertia of the element is

$$dI_z = r^2 dm = \rho 2\pi hr^3 dr$$

Integrating over the entire cylinder yields

$$I_z = \int_m r^2 dm = \rho 2\pi h \int_0^R r^3 dr = \frac{\rho\pi}{2} R^4 h$$

Since the mass of the cylinder is

$$m = \int_m dm = \rho 2\pi h \int_0^R r dr = \rho\pi h R^2$$

then

$$I_z = \frac{1}{2} m R^2 \quad \text{Ans.}$$

EXAMPLE 10.11

A solid is formed by revolving the shaded area shown in Fig. 10–24a about the y axis. If the density of the material is 5 slug/ft^3 , determine the mass moment of inertia about the y axis.

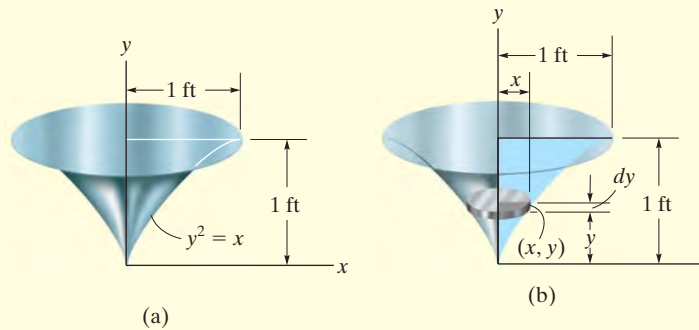


Fig. 10–24

SOLUTION

Disk Element. The moment of inertia will be determined using this *disk element*, as shown in Fig. 10–24b. Here the element intersects the curve at the arbitrary point (x, y) and has a mass

$$dm = \rho dV = \rho(\pi x^2) dy$$

Although all points on the element are *not* located at the same distance from the y axis, it is still possible to determine the moment of inertia dI_y of the *element* about the y axis. In the previous example it was shown that the moment of inertia of a homogeneous cylinder about its longitudinal axis is $I = \frac{1}{2}mR^2$, where m and R are the mass and radius of the cylinder. Since the height of the cylinder is not involved in this formula, we can also use this result for a disk. Thus, for the disk element in Fig. 10–24b, we have

$$dI_y = \frac{1}{2}(dm)x^2 = \frac{1}{2}[\rho(\pi x^2) dy]x^2$$

Substituting $x = y^2$, $\rho = 5 \text{ slug/ft}^3$, and integrating with respect to y , from $y = 0$ to $y = 1 \text{ ft}$, yields the moment of inertia for the entire solid.

$$I_y = \frac{5\pi}{2} \int_0^{1\text{ft}} x^4 dy = \frac{5\pi}{2} \int_0^{1\text{ft}} y^8 dy = 0.873 \text{ slug} \cdot \text{ft}^2 \quad \text{Ans.}$$

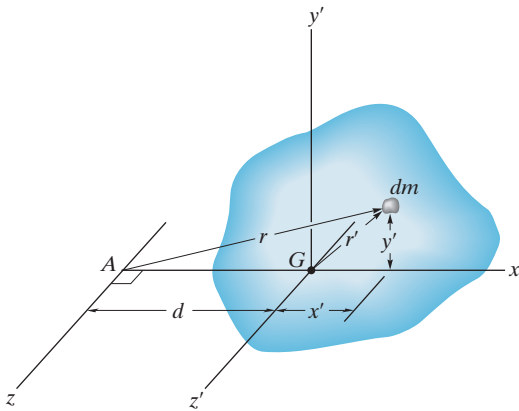


Fig. 10–25

Parallel-Axis Theorem. If the moment of inertia of the body about an axis passing through the body's mass center is known, then the moment of inertia about any other *parallel axis* can be determined by using the *parallel-axis theorem*. To derive this theorem, consider the body shown in Fig. 10–25. The z' axis passes through the mass center G , whereas the corresponding *parallel z axis* lies at a constant distance d away. Selecting the differential element of mass dm , which is located at point (x', y') , and using the Pythagorean theorem, $r^2 = (d + x')^2 + y'^2$, the moment of inertia of the body about the z axis is

$$\begin{aligned} I &= \int_m r^2 dm = \int_m [(d + x')^2 + y'^2] dm \\ &= \int_m (x'^2 + y'^2) dm + 2d \int_m x' dm + d^2 \int_m dm \end{aligned}$$

Since $r'^2 = x'^2 + y'^2$, the first integral represents I_G . The second integral is equal to *zero*, since the z' axis passes through the body's mass center, i.e., $\int x' dm = \bar{x} \int dm = 0$ since $\bar{x} = 0$. Finally, the third integral is the total mass m of the body. Hence, the moment of inertia about the z axis becomes

$$I = I_G + md^2 \quad (10-15)$$

where

- I_G = moment of inertia about the z' axis passing through the mass center G
- m = mass of the body
- d = distance between the parallel axes

Radius of Gyration. Occasionally, the moment of inertia of a body about a specified axis is reported in handbooks using the *radius of gyration*, k . This value has units of length, and when it and the body's mass m are known, the moment of inertia can be determined from the equation

$$I = mk^2 \quad \text{or} \quad k = \sqrt{\frac{I}{m}} \quad (10-16)$$

Note the *similarity* between the definition of k in this formula and r in the equation $dI = r^2 dm$, which defines the moment of inertia of a differential element of mass dm of the body about an axis.

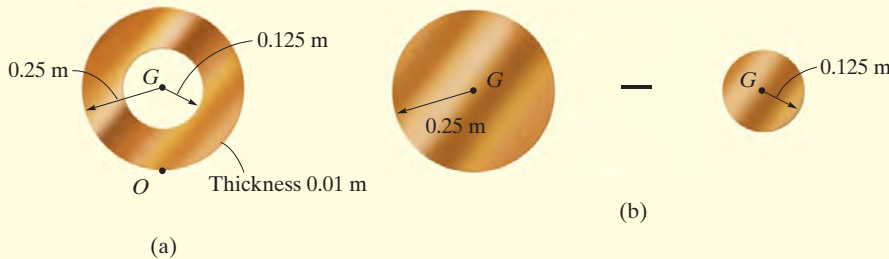
Composite Bodies. If a body is constructed from a number of simple shapes such as disks, spheres, and rods, the moment of inertia of the body about any axis z can be determined by adding algebraically the moments of inertia of all the composite shapes computed about the same axis. Algebraic addition is necessary since a composite part must be considered as a negative quantity if it has already been included within another part—as in the case of a “hole” subtracted from a solid plate. Also, the parallel-axis theorem is needed for the calculations if the center of mass of each composite part does not lie on the z axis. In this regard, formulas for the mass moment of inertia of some common shapes, such as disks, spheres, and rods, are given in the table on the inside back cover.



This flywheel, which operates a metal cutter, has a large moment of inertia about its center. Once it begins rotating it is difficult to stop it and therefore a uniform motion can be effectively transferred to the cutting blade.

EXAMPLE 10.12

If the plate shown in Fig. 10–26a has a density of 8000 kg/m^3 and a thickness of 10 mm, determine its mass moment of inertia about an axis perpendicular to the page and passing through the pin at O .

**Fig. 10–26****SOLUTION**

The plate consists of two composite parts, the 250-mm-radius disk *minus* a 125-mm-radius disk, Fig. 10–26b. The moment of inertia about O can be determined by finding the moment of inertia of each of these parts about O and then *algebraically* adding the results. The computations are performed by using the parallel-axis theorem in conjunction with the data listed in the table on the inside back cover.

Disk. The moment of inertia of a disk about an axis perpendicular to the plane of the disk and passing through G is $I_G = \frac{1}{2}mr^2$. The mass center of both disks is 0.25 m from point O . Thus,

$$\begin{aligned} m_d &= \rho_d V_d = 8000 \text{ kg/m}^3 [\pi(0.25 \text{ m})^2(0.01 \text{ m})] = 15.71 \text{ kg} \\ (I_O)_d &= \frac{1}{2}m_d r_d^2 + m_d d^2 \\ &= \frac{1}{2}(15.71 \text{ kg})(0.25 \text{ m})^2 + (15.71 \text{ kg})(0.25 \text{ m})^2 \\ &= 1.473 \text{ kg} \cdot \text{m}^2 \end{aligned}$$

Hole. For the smaller disk (hole), we have

$$\begin{aligned} m_h &= \rho_h V_h = 8000 \text{ kg/m}^3 [\pi(0.125 \text{ m})^2(0.01 \text{ m})] = 3.93 \text{ kg} \\ (I_O)_h &= \frac{1}{2}m_h r_h^2 + m_h d^2 \\ &= \frac{1}{2}(3.93 \text{ kg})(0.125 \text{ m})^2 + (3.93 \text{ kg})(0.25 \text{ m})^2 \\ &= 0.276 \text{ kg} \cdot \text{m}^2 \end{aligned}$$

The moment of inertia of the plate about the pin is therefore

$$\begin{aligned} I_O &= (I_O)_d - (I_O)_h \\ &= 1.473 \text{ kg} \cdot \text{m}^2 - 0.276 \text{ kg} \cdot \text{m}^2 \\ &= 1.20 \text{ kg} \cdot \text{m}^2 \end{aligned}$$

Ans.

EXAMPLE 10.13

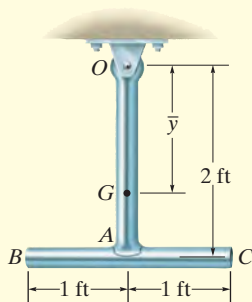


Fig. 10–27

The pendulum in Fig. 10–27 consists of two thin rods each having a weight of 10 lb. Determine the pendulum's mass moment of inertia about an axis passing through (a) the pin at O , and (b) the mass center G of the pendulum.

SOLUTION

Part (a). Using the table on the inside back cover, the moment of inertia of rod OA about an axis perpendicular to the page and passing through the end point O of the rod is $I_O = \frac{1}{3}ml^2$. Hence,

$$(I_{OA})_O = \frac{1}{3}ml^2 = \frac{1}{3}\left(\frac{10 \text{ lb}}{32.2 \text{ ft/s}^2}\right)(2 \text{ ft})^2 = 0.414 \text{ slug} \cdot \text{ft}^2$$

Realize that this same value may be computed using $I_G = \frac{1}{12}ml^2$ and the parallel-axis theorem; i.e.,

$$\begin{aligned} (I_{OA})_O &= \frac{1}{12}ml^2 + md^2 = \frac{1}{12}\left(\frac{10 \text{ lb}}{32.2 \text{ ft/s}^2}\right)(2 \text{ ft})^2 + \frac{10 \text{ lb}}{32.2 \text{ ft/s}^2}(1 \text{ ft})^2 \\ &= 0.414 \text{ slug} \cdot \text{ft}^2 \end{aligned}$$

For rod BC we have

$$\begin{aligned} (I_{BC})_O &= \frac{1}{12}ml^2 + md^2 = \frac{1}{12}\left(\frac{10 \text{ lb}}{32.2 \text{ ft/s}^2}\right)(2 \text{ ft})^2 + \frac{10 \text{ lb}}{32.2 \text{ ft/s}^2}(2 \text{ ft})^2 \\ &= 1.346 \text{ slug} \cdot \text{ft}^2 \end{aligned}$$

The moment of inertia of the pendulum about O is therefore

$$I_O = 0.414 + 1.346 = 1.76 \text{ slug} \cdot \text{ft}^2 \quad \text{Ans.}$$

Part (b). The mass center G will be located relative to the pin at O . Assuming this distance to be \bar{y} , Fig. 10–27, and using the formula for determining the mass center, we have

$$\bar{y} = \frac{\sum \tilde{y}m}{\sum m} = \frac{1(10/32.2) + 2(10/32.2)}{(10/32.2) + (10/32.2)} = 1.50 \text{ ft}$$

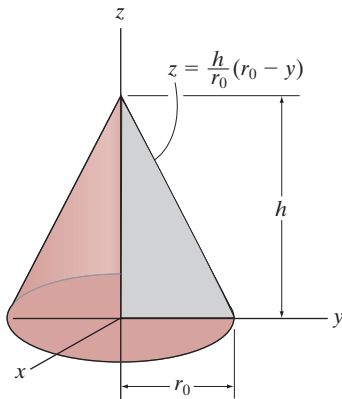
The moment of inertia I_G may be computed in the same manner as I_O , which requires successive applications of the parallel-axis theorem in order to transfer the moments of inertia of rods OA and BC to G . A more direct solution, however, involves applying the parallel-axis theorem using the result for I_O determined above; i.e.,

$$I_O = I_G + md^2; \quad 1.76 \text{ slug} \cdot \text{ft}^2 = I_G + \left(\frac{20 \text{ lb}}{32.2 \text{ ft/s}^2}\right)(1.50 \text{ ft})^2$$

$$I_G = 0.362 \text{ slug} \cdot \text{ft}^2 \quad \text{Ans.}$$

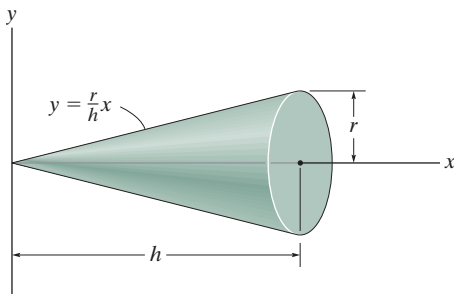
PROBLEMS

•**10-89.** Determine the mass moment of inertia I_z of the cone formed by revolving the shaded area around the z axis. The density of the material is ρ . Express the result in terms of the mass m of the cone.



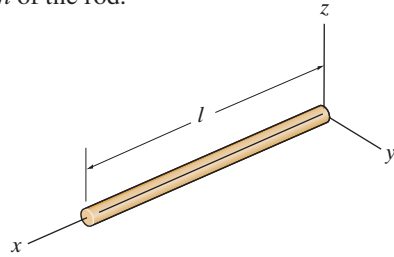
Prob. 10-89

10-90. Determine the mass moment of inertia I_x of the right circular cone and express the result in terms of the total mass m of the cone. The cone has a constant density ρ .



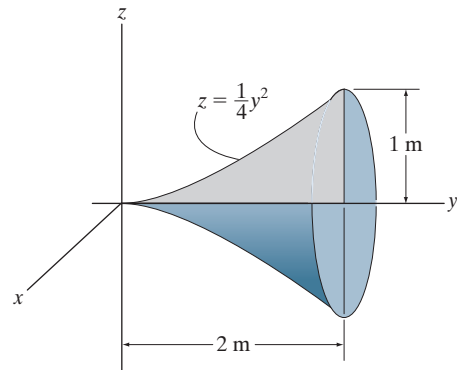
Prob. 10-90

10-91. Determine the mass moment of inertia I_y of the slender rod. The rod is made of material having a variable density $\rho = \rho_0(1 + x/l)$, where ρ_0 is constant. The cross-sectional area of the rod is A . Express the result in terms of the mass m of the rod.



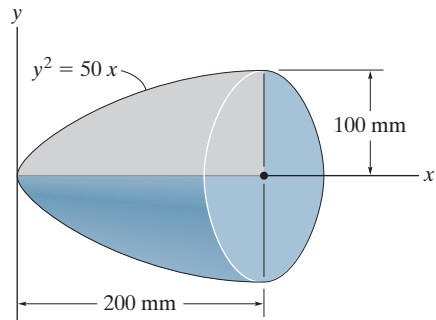
Prob. 10-91

***10-92.** Determine the mass moment of inertia I_y of the solid formed by revolving the shaded area around the y axis. The density of the material is ρ . Express the result in terms of the mass m of the solid.



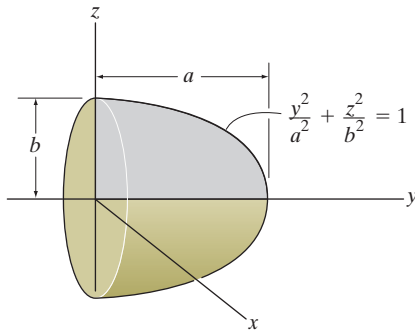
Prob. 10-92

•**10-93.** The paraboloid is formed by revolving the shaded area around the x axis. Determine the radius of gyration k_x . The density of the material is $\rho = 5 \text{ Mg/m}^3$.



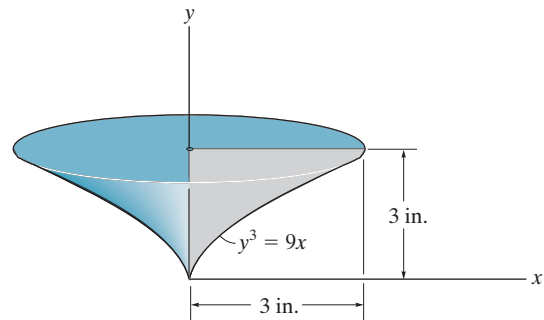
Prob. 10-93

10-94. Determine the mass moment of inertia I_y of the solid formed by revolving the shaded area around the y axis. The density of the material is ρ . Express the result in terms of the mass m of the semi-ellipsoid.



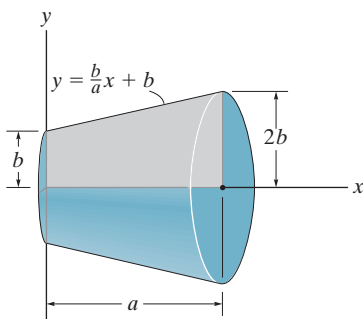
Prob. 10-94

***10-96.** The solid is formed by revolving the shaded area around the y axis. Determine the radius of gyration k_y . The specific weight of the material is $\gamma = 380 \text{ lb/ft}^3$.



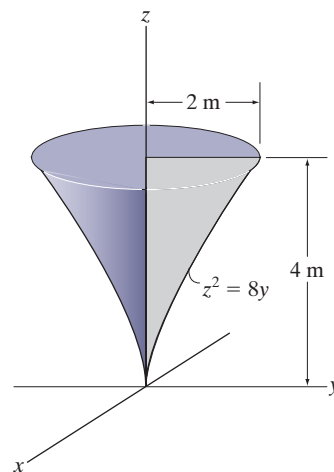
Prob. 10-96

10-95. The frustum is formed by rotating the shaded area around the x axis. Determine the moment of inertia I_x and express the result in terms of the total mass m of the frustum. The material has a constant density ρ .



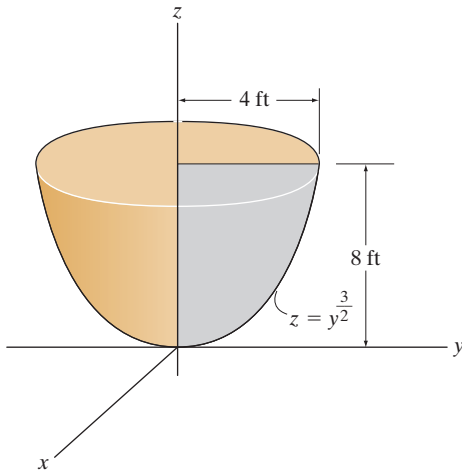
Prob. 10-95

•10-97. Determine the mass moment of inertia I_z of the solid formed by revolving the shaded area around the z axis. The density of the material is $\rho = 7.85 \text{ Mg/m}^3$.



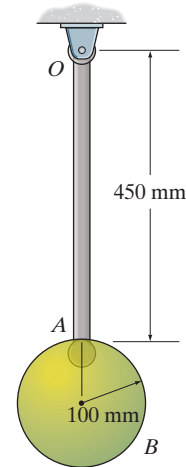
Prob. 10-97

10-98. Determine the mass moment of inertia I_z of the solid formed by revolving the shaded area around the z axis. The solid is made of a homogeneous material that weighs 400 lb.



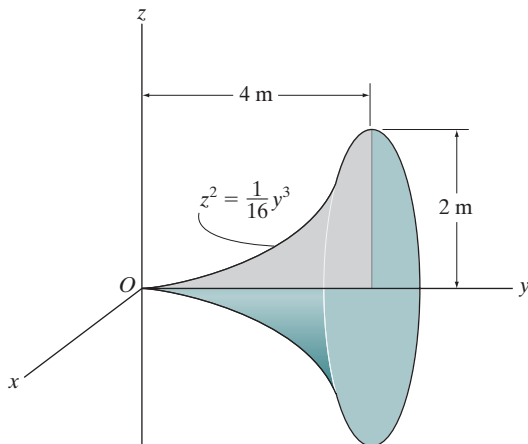
Prob. 10-98

***10-100.** Determine the mass moment of inertia of the pendulum about an axis perpendicular to the page and passing through point O . The slender rod has a mass of 10 kg and the sphere has a mass of 15 kg.



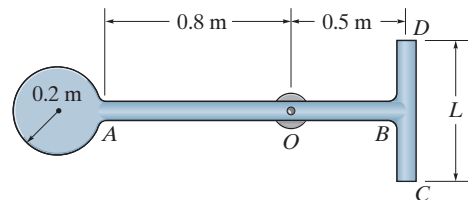
Prob. 10-100

10-99. Determine the mass moment of inertia I_y of the solid formed by revolving the shaded area around the y axis. The total mass of the solid is 1500 kg.



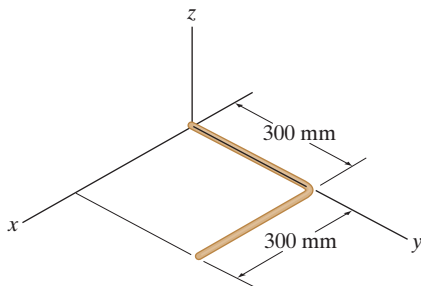
Prob. 10-99

•10-101. The pendulum consists of a disk having a mass of 6 kg and slender rods AB and DC which have a mass per unit length of 2 kg/m. Determine the length L of DC so that the center of mass is at the bearing O . What is the moment of inertia of the assembly about an axis perpendicular to the page and passing through point O ?



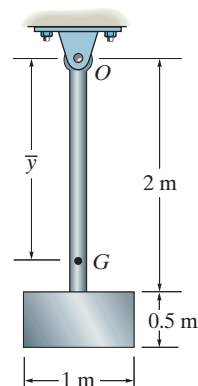
Prob. 10-101

10–102. Determine the mass moment of inertia of the 2-kg bent rod about the z axis.



Prob. 10–102

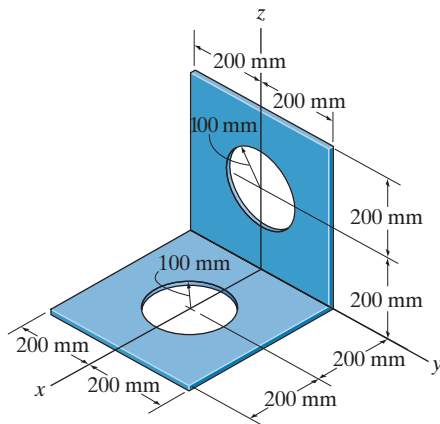
•10–105. The pendulum consists of the 3-kg slender rod and the 5-kg thin plate. Determine the location \bar{y} of the center of mass G of the pendulum; then find the mass moment of inertia of the pendulum about an axis perpendicular to the page and passing through G .



Prob. 10–105

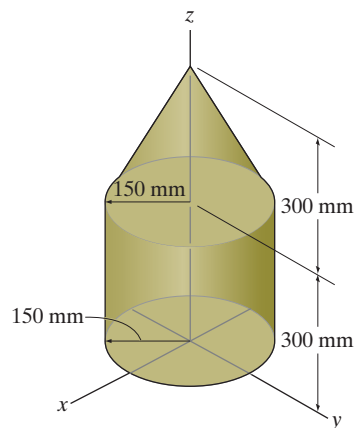
10–103. The thin plate has a mass per unit area of 10 kg/m^2 . Determine its mass moment of inertia about the y axis.

***10–104.** The thin plate has a mass per unit area of 10 kg/m^2 . Determine its mass moment of inertia about the z axis.



Probs. 10–103/104

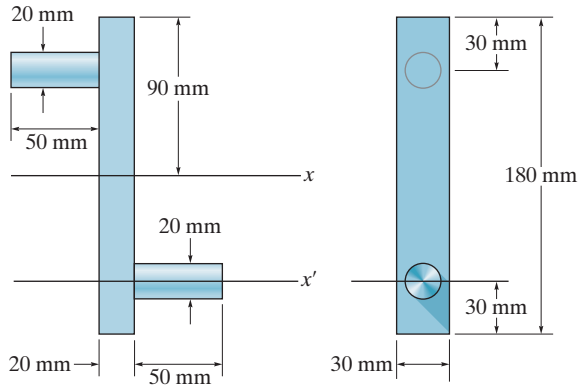
10–106. The cone and cylinder assembly is made of homogeneous material having a density of 7.85 Mg/m^3 . Determine its mass moment of inertia about the z axis.



Prob. 10–106

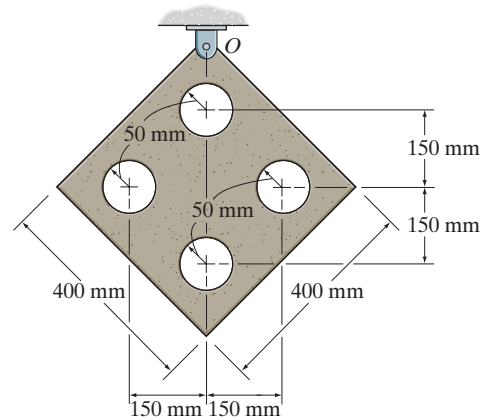
10-107. Determine the mass moment of inertia of the overhung crank about the x axis. The material is steel having a density of $\rho = 7.85 \text{ Mg/m}^3$.

***10-108.** Determine the mass moment of inertia of the overhung crank about the x' axis. The material is steel having a density of $\rho = 7.85 \text{ Mg/m}^3$.



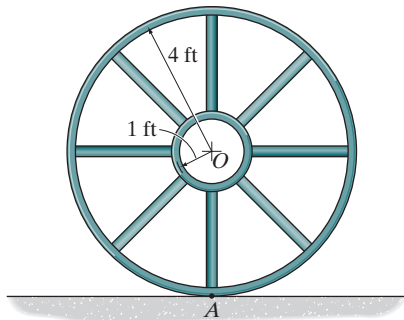
Probs. 10-107/108

10-110. Determine the mass moment of inertia of the thin plate about an axis perpendicular to the page and passing through point O . The material has a mass per unit area of 20 kg/m^2 .



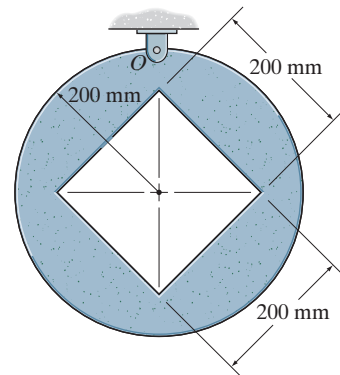
Prob. 10-110

•10-109. If the large ring, small ring and each of the spokes weigh 100 lb, 15 lb, and 20 lb, respectively, determine the mass moment of inertia of the wheel about an axis perpendicular to the page and passing through point A .



Prob. 10-109

10-111. Determine the mass moment of inertia of the thin plate about an axis perpendicular to the page and passing through point O . The material has a mass per unit area of 20 kg/m^2 .



Prob. 10-111

CHAPTER REVIEW

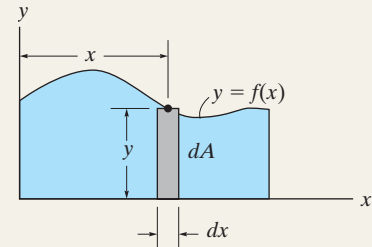
Area Moment of Inertia

The *area moment of inertia* represents the second moment of the area about an axis. It is frequently used in formulas related to the strength and stability of structural members or mechanical elements.

If the area shape is irregular but can be described mathematically, then a differential element must be selected and integration over the entire area must be performed to determine the moment of inertia.

$$I_x = \int_A y^2 dA$$

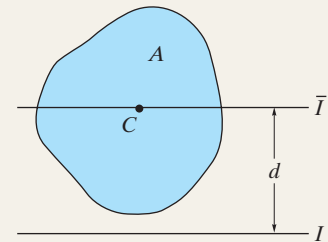
$$I_y = \int_A x^2 dA$$



Parallel-Axis Theorem

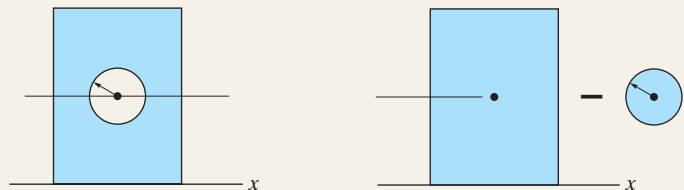
If the moment of inertia for an area is known about a centroidal axis, then its moment of inertia about a parallel axis can be determined using the parallel-axis theorem.

$$I = \bar{I} + Ad^2$$



Composite Area

If an area is a composite of common shapes, as found on the inside back cover, then its moment of inertia is equal to the algebraic sum of the moments of inertia of each of its parts.

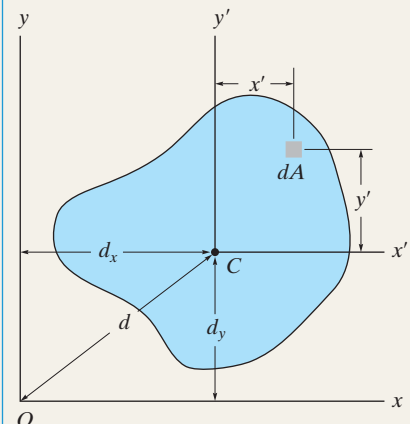


Product of Inertia

The *product of inertia* of an area is used in formulas to determine the orientation of an axis about which the moment of inertia for the area is a maximum or minimum.

$$I_{xy} = \int_A xy dA$$

$$I_{xy} = \bar{I}_{x'y'} + Ad_x d_y$$



Principal Moments of Inertia

Provided the moments of inertia, I_x and I_y , and the product of inertia, I_{xy} , are known, then the transformation formulas, or Mohr's circle, can be used to determine the maximum and minimum or *principal moments of inertia* for the area, as well as finding the orientation of the principal axes of inertia.

$$I_{\max/\min} = \frac{I_x + I_y}{2} \pm \sqrt{\left(\frac{I_x - I_y}{2}\right)^2 + I_{xy}^2}$$

$$\tan 2\theta_p = \frac{-I_{xy}}{(I_x - I_y)/2}$$

Mass Moment of Inertia

The *mass moment of inertia* is a property of a body that measures its resistance to a change in its rotation. It is defined as the “second moment” of the mass elements of the body about an axis.

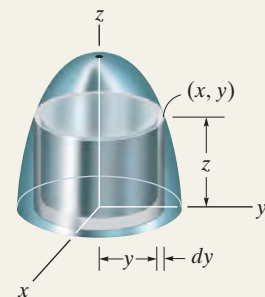
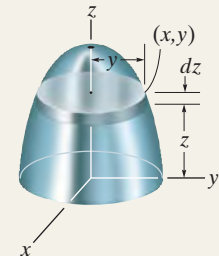
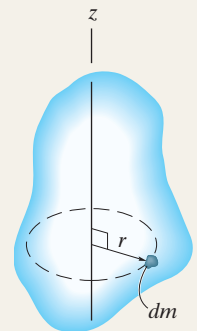
For homogeneous bodies having axial symmetry, the mass moment of inertia can be determined by a single integration, using a disk or shell element.

The mass moment of inertia of a composite body is determined by using tabular values of its composite shapes found on the inside back cover, along with the parallel-axis theorem.

$$I = \int_m r^2 dm$$

$$I = \rho \int_V r^2 dV$$

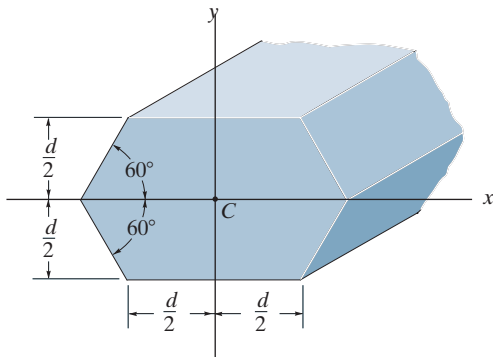
$$I = I_G + md^2$$



REVIEW PROBLEMS

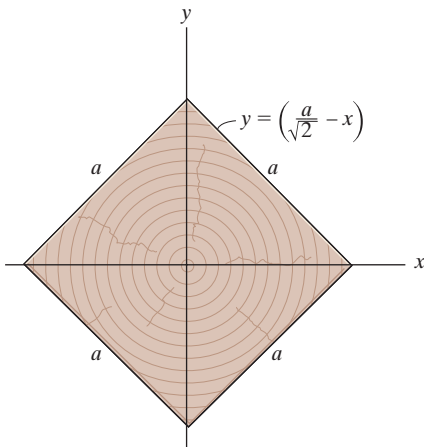
***10–112.** Determine the moment of inertia of the beam's cross-sectional area about the x axis which passes through the centroid C .

•10–113. Determine the moment of inertia of the beam's cross-sectional area about the y axis which passes through the centroid C .



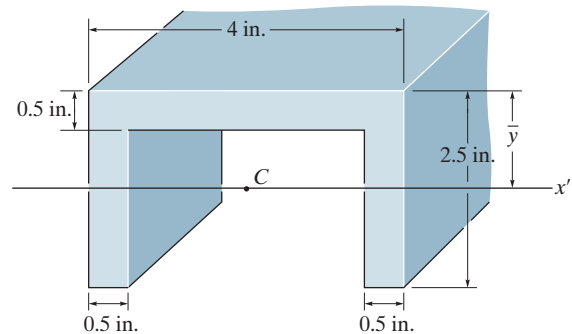
Probs. 10–112/113

10–114. Determine the moment of inertia of the beam's cross-sectional area about the x axis.



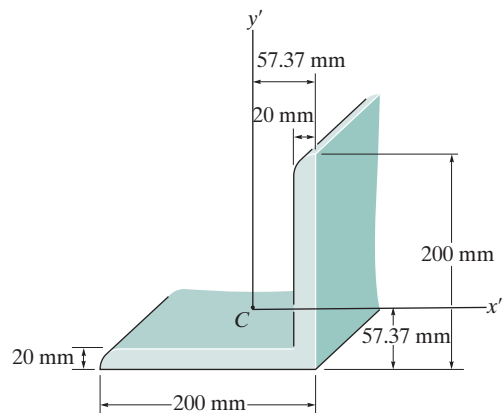
Prob. 10–114

10–115. Determine the moment of inertia of the beam's cross-sectional area with respect to the x' axis passing through the centroid C .



Prob. 10–115

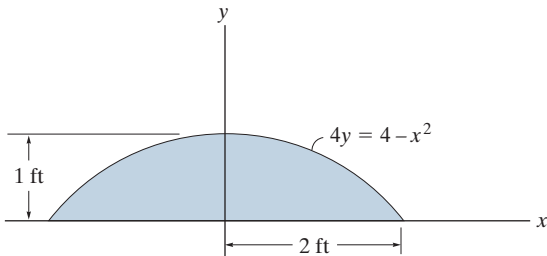
***10–116.** Determine the product of inertia for the angle's cross-sectional area with respect to the x' and y' axes having their origin located at the centroid C . Assume all corners to be right angles.



Prob. 10–116

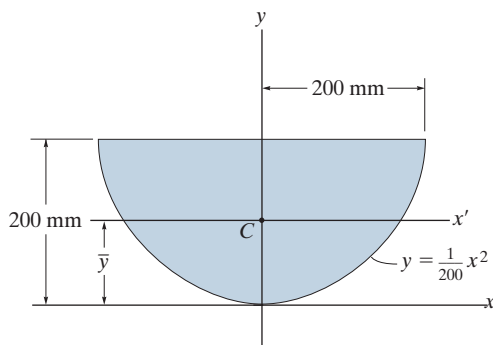
•10-117. Determine the moment of inertia of the area about the y axis.

10-118. Determine the moment of inertia of the area about the x axis.



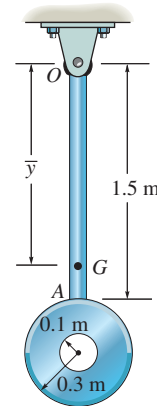
Probs. 10-117/118

10-119. Determine the moment of inertia of the area about the x axis. Then, using the parallel-axis theorem, find the moment of inertia about the x' axis that passes through the centroid C of the area. $\bar{y} = 120$ mm.



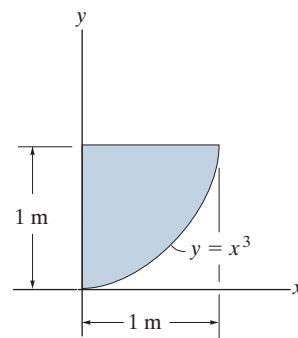
Prob. 10-119

*10-120. The pendulum consists of the slender rod OA , which has a mass per unit length of 3 kg/m. The thin disk has a mass per unit area of 12 kg/m². Determine the distance \bar{y} to the center of mass G of the pendulum; then calculate the moment of inertia of the pendulum about an axis perpendicular to the page and passing through G .



Prob. 10-120

•10-121. Determine the product of inertia of the area with respect to the x and y axes.



Prob. 10-121



Equilibrium and stability of this articulated crane boom as a function of the boom position can be analyzed using methods based on work and energy, which are explained in this chapter.

www.semeng.ir

CHAPTER OBJECTIVES

- To introduce the principle of virtual work and show how it applies to finding the equilibrium configuration of a system of pin-connected members.
- To establish the potential-energy function and use the potential-energy method to investigate the type of equilibrium or stability of a rigid body or system of pin-connected members.

11.1 Definition of Work

The *principle of virtual work* was proposed by the Swiss mathematician Jean Bernoulli in the eighteenth century. It provides an alternative method for solving problems involving the equilibrium of a particle, a rigid body, or a system of connected rigid bodies. Before we discuss this principle, however, we must first define the work produced by a force and by a couple moment.

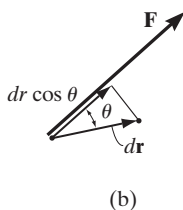
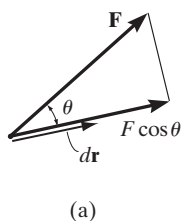


Fig. 11-1

Work of a Force. A force does work when it undergoes a displacement in the direction of its line of action. Consider, for example, the force \mathbf{F} in Fig. 11-1a that undergoes a differential displacement $d\mathbf{r}$. If θ is the angle between the force and the displacement, then the component of \mathbf{F} in the direction of the displacement is $F \cos \theta$. And so the work produced by \mathbf{F} is

$$dU = F dr \cos \theta$$

Notice that this expression is also the product of the force F and the component of displacement in the direction of the force, $dr \cos \theta$, Fig. 11-1b. If we use the definition of the dot product (Eq. 2-14) the work can also be written as

$$dU = \mathbf{F} \cdot d\mathbf{r}$$

As the above equations indicate, work is a *scalar*, and like other scalar quantities, it has a magnitude that can either be *positive* or *negative*.

In the SI system, the unit of work is a *joule* (J), which is the work produced by a 1-N force that displaces through a distance of 1 m in the direction of the force ($1 \text{ J} = 1 \text{ N} \cdot \text{m}$). The unit of work in the FPS system is the foot-pound ($\text{ft} \cdot \text{lb}$), which is the work produced by a 1-lb force that displaces through a distance of 1 ft in the direction of the force.

The moment of a force has this same combination of units; however, the concepts of moment and work are in no way related. A moment is a vector quantity, whereas work is a scalar.

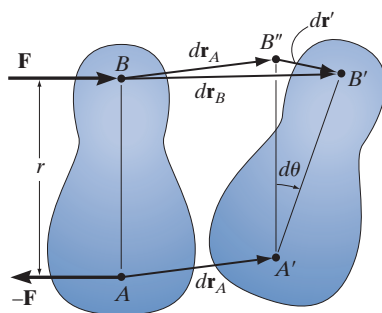


Fig. 11-2

Work of a Couple Moment. The rotation of a couple moment also produces work. Consider the rigid body in Fig. 11-2, which is acted upon by the couple forces \mathbf{F} and $-\mathbf{F}$ that produce a couple moment \mathbf{M} having a magnitude $M = Fr$. When the body undergoes the differential displacement shown, points A and B move $d\mathbf{r}_A$ and $d\mathbf{r}_B$ to their final positions A' and B' , respectively. Since $d\mathbf{r}_B = d\mathbf{r}_A + d\mathbf{r}'$, this movement can be thought of as a *translation* $d\mathbf{r}_A$, where A and B move to A' and B'' , and a *rotation* about A' , where the body rotates through the angle $d\theta$ about A . The couple forces do no work during the translation $d\mathbf{r}_A$ because each force undergoes the same amount of displacement in opposite directions, thus canceling out the work. During rotation, however, \mathbf{F} is displaced $dr'' = r d\theta$, and so it does work $dU = F dr'' = F r d\theta$. Since $M = Fr$, the work of the couple moment \mathbf{M} is therefore

$$dU = M d\theta$$

If \mathbf{M} and $d\theta$ have the same sense, the work is *positive*; however, if they have the opposite sense, the work will be *negative*.

Virtual Work. The definitions of the work of a force and a couple have been presented in terms of *actual movements* expressed by differential displacements having magnitudes of dr and $d\theta$. Consider now an *imaginary* or *virtual movement* of a body in static equilibrium, which indicates a displacement or rotation that is *assumed* and *does not actually exist*. These movements are first-order differential quantities and will be denoted by the symbols δr and $\delta\theta$ (delta r and delta θ), respectively. The *virtual work* done by a force having a virtual displacement δr is

$$\delta U = F \cos \theta \delta r \quad (11-1)$$

Similarly, when a couple undergoes a virtual rotation $\delta\theta$ in the plane of the couple forces, the *virtual work* is

$$\delta U = M \delta\theta \quad (11-2)$$

11.2 Principle of Virtual Work

The principle of virtual work states that if a body is in equilibrium, then the algebraic sum of the virtual work done by all the forces and couple moments acting on the body, is zero for any virtual displacement of the body. Thus,

$$\delta U = 0 \quad (11-3)$$

For example, consider the free-body diagram of the particle (ball) that rests on the floor, Fig. 11-3. If we “imagine” the ball to be displaced downwards a virtual amount δy , then the weight does positive virtual work, $W \delta y$, and the normal force does negative virtual work, $-N \delta y$. For equilibrium the total virtual work must be zero, so that $\delta U = W \delta y - N \delta y = (W - N) \delta y = 0$. Since $\delta y \neq 0$, then $N = W$ as required by applying $\Sigma F_y = 0$.

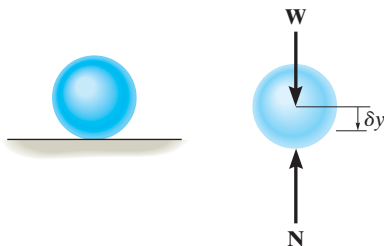


Fig. 11-3

In a similar manner, we can also apply the virtual-work equation $\delta U = 0$ to a rigid body subjected to a coplanar force system. Here, separate virtual translations in the x and y directions and a virtual rotation about an axis perpendicular to the x - y plane that passes through an arbitrary point O , will correspond to the three equilibrium equations, $\Sigma F_x = 0$, $\Sigma F_y = 0$, and $\Sigma M_O = 0$. When writing these equations, it is *not necessary* to include the work done by the *internal forces* acting within the body since a rigid body *does not deform* when subjected to an external loading, and furthermore, when the body moves through a virtual displacement, the internal forces occur in equal but opposite collinear pairs, so that the corresponding work done by each pair of forces will cancel.

To demonstrate an application, consider the simply supported beam in Fig. 11-4*a*. When the beam is given a virtual rotation $\delta\theta$ about point B , Fig. 11-4*b*, the only forces that do work are \mathbf{P} and \mathbf{A}_y . Since $\delta y = l \delta\theta$ and $\delta y' = (l/2) \delta\theta$, the virtual work equation for this case is $\delta U = A_y(l \delta\theta) - P(l/2) \delta\theta = (A_y l - Pl/2) \delta\theta = 0$. Since $\delta\theta \neq 0$, then $A_y = P/2$. Excluding $\delta\theta$, notice that the terms in parentheses actually represent the application of $\Sigma M_B = 0$.

As seen from the above two examples, no added advantage is gained by solving particle and rigid-body equilibrium problems using the principle of virtual work. This is because for each application of the virtual-work equation, the virtual displacement, common to every term, factors out, leaving an equation that could have been obtained in a more *direct manner* by simply applying an equation of equilibrium.

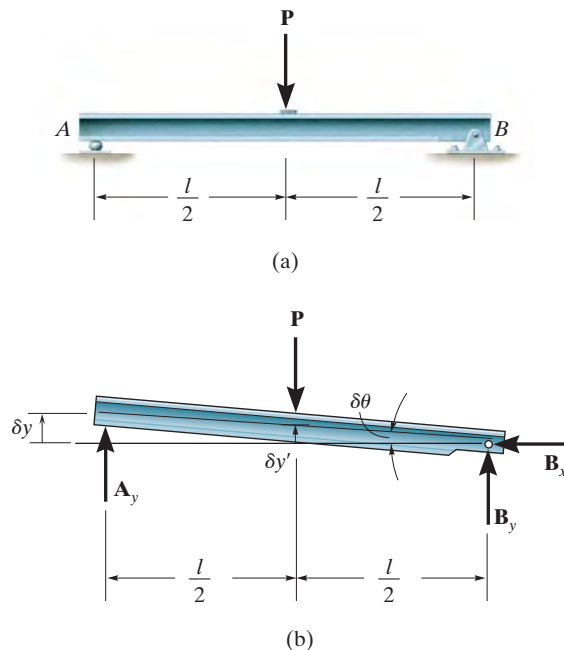


Fig. 11-4

11.3 Principle of Virtual Work for a System of Connected Rigid Bodies

The method of virtual work is particularly effective for solving equilibrium problems that involve a system of several *connected* rigid bodies, such as the ones shown in Fig. 11–5.

Each of these systems is said to have only one degree of freedom since the arrangement of the links can be completely specified using only one coordinate θ . In other words, with this single coordinate and the length of the members, we can locate the position of the forces \mathbf{F} and \mathbf{P} .

In this text, we will only consider the application of the principle of virtual work to systems containing one degree of freedom*. Because they are less complicated, they will serve as a way to approach the solution of more complex problems involving systems with many degrees of freedom. The procedure for solving problems involving a system of frictionless connected rigid bodies follows.

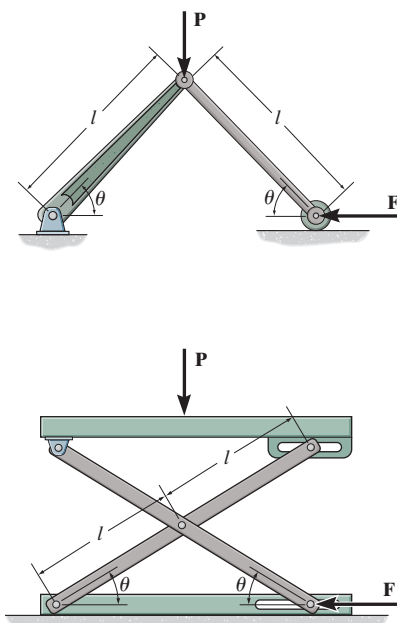


Fig. 11-5

Important Points

- A force does work when it moves through a displacement in the direction of the force. A couple moment does work when it moves through a collinear rotation. Specifically, positive work is done when the force or couple moment and its displacement have the same sense of direction.
- The principle of virtual work is generally used to determine the equilibrium configuration for a system of multiply connected members.
- A virtual displacement is imaginary; i.e., it does not really happen. It is a differential displacement that is given in the positive direction of a position coordinate.
- Forces or couple moments that do not virtually displace do no virtual work.



This scissor lift has one degree of freedom. Without the need for dismembering the mechanism, the force in the hydraulic cylinder AB required to provide the lift can be determined *directly* by using the principle of virtual work.

*This method of applying the principle of virtual work is sometimes called the *method of virtual displacements* because a virtual displacement is applied, resulting in the calculation of a real force. Although it is not used here, we can also apply the principle of virtual work as a *method of virtual forces*. This method is often used to apply a virtual force and then determine the displacements of points on deformable bodies. See R. C. Hibbeler, *Mechanics of Materials*, 7th edition, Pearson/Prentice Hall, 2007.

Procedure for Analysis

Free-Body Diagram.

- Draw the free-body diagram of the entire system of connected bodies and define the *coordinate* q .
- Sketch the “deflected position” of the system on the free-body diagram when the system undergoes a *positive* virtual displacement δq .

Virtual Displacements.

- Indicate *position coordinates* s , each measured from a *fixed point* on the free-body diagram. These coordinates are directed to the forces that do work.
- Each of these coordinate axes should be *parallel* to the line of action of the force to which it is directed, so that the virtual work along the coordinate axis can be calculated.
- Relate each of the position coordinates s to the coordinate q ; then *differentiate* these expressions in order to express each virtual displacement δs in terms of δq .

Virtual-Work Equation.

- Write the *virtual-work equation* for the system assuming that, whether possible or not, each position coordinate s undergoes a *positive* virtual displacement δs . If a force or couple moment is in the same direction as the positive virtual displacement, the work is positive. Otherwise, it is negative.
- Express the work of *each* force and couple moment in the equation in terms of δq .
- Factor out this common displacement from all the terms, and solve for the unknown force, couple moment, or equilibrium position q .

EXAMPLE 11.1

Determine the angle θ for equilibrium of the two-member linkage shown in Fig. 11–6a. Each member has a mass of 10 kg.

SOLUTION

Free-Body Diagram. The system has only one degree of freedom since the location of both links can be specified by the single coordinate ($q =$) θ . As shown on the free-body diagram in Fig. 11–6b, when θ has a *positive* (clockwise) virtual rotation $\delta\theta$, only the force \mathbf{F} and the two 98.1-N weights do work. (The reactive forces \mathbf{D}_x and \mathbf{D}_y are fixed, and \mathbf{B}_y does not displace along its line of action.)

Virtual Displacements. If the origin of coordinates is established at the *fixed* pin support D , then the position of \mathbf{F} and \mathbf{W} can be specified by the *position coordinates* x_B and y_w . In order to determine the work, note that, as required, these coordinates are parallel to the lines of action of their associated forces. Expressing these position coordinates in terms of θ and taking the derivatives yields

$$x_B = 2(1 \cos \theta) \text{ m} \quad \delta x_B = -2 \sin \theta \delta\theta \text{ m} \quad (1)$$

$$y_w = \frac{1}{2}(1 \sin \theta) \text{ m} \quad \delta y_w = 0.5 \cos \theta \delta\theta \text{ m} \quad (2)$$

It is seen by the *signs* of these equations, and indicated in Fig. 11–6b, that an *increase* in θ (i.e., $\delta\theta$) causes a *decrease* in x_B and an *increase* in y_w .

Virtual-Work Equation. If the virtual displacements δx_B and δy_w were *both positive*, then the forces \mathbf{W} and \mathbf{F} would do positive work since the forces and their corresponding displacements would have the same sense. Hence, the virtual-work equation for the displacement $\delta\theta$ is

$$\delta U = 0; \quad W \delta y_w + W \delta y_w + F \delta x_B = 0 \quad (3)$$

Substituting Eqs. 1 and 2 into Eq. 3 in order to relate the virtual displacements to the common virtual displacement $\delta\theta$ yields

$$98.1(0.5 \cos \theta \delta\theta) + 98.1(0.5 \cos \theta \delta\theta) + 25(-2 \sin \theta \delta\theta) = 0$$

Notice that the “negative work” done by \mathbf{F} (force in the opposite sense to displacement) has actually been *accounted for* in the above equation by the “negative sign” of Eq. 1. Factoring out the *common displacement* $\delta\theta$ and solving for θ , noting that $\delta\theta \neq 0$, yields

$$(98.1 \cos \theta - 50 \sin \theta) \delta\theta = 0$$

$$\theta = \tan^{-1} \frac{98.1}{50} = 63.0^\circ \quad \text{Ans.}$$

NOTE: If this problem had been solved using the equations of equilibrium, it would be necessary to dismember the links and apply three scalar equations to *each* link. The principle of virtual work, by means of calculus, has eliminated this task so that the answer is obtained directly.

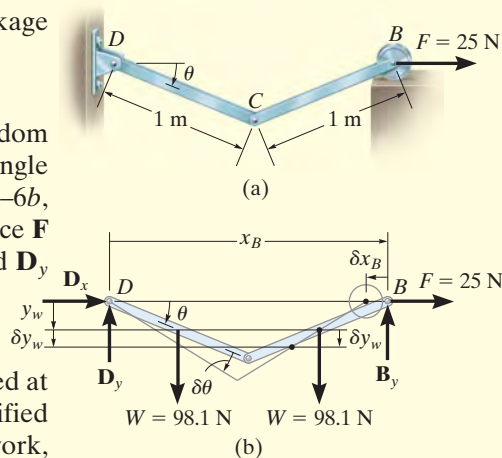
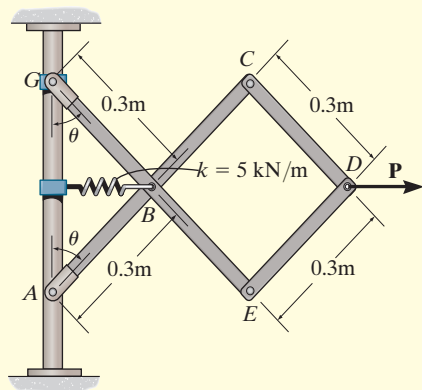
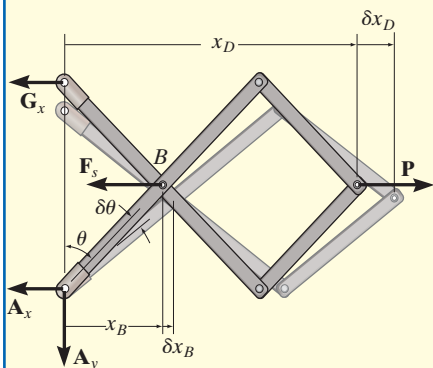


Fig. 11–6

EXAMPLE 11.2



(a)



(b)

Fig. 11-7

Determine the required force P in Fig. 11-7a, needed to maintain equilibrium of the scissors linkage when $\theta = 60^\circ$. The spring is unstretched when $\theta = 30^\circ$. Neglect the mass of the links.

SOLUTION

Free-Body Diagram. Only \mathbf{F}_s and \mathbf{P} do work when θ undergoes a positive virtual displacement $\delta\theta$, Fig. 11-7b. For the arbitrary position θ , the spring is stretched $(0.3 \text{ m}) \sin \theta - (0.3 \text{ m}) \sin 30^\circ$, so that

$$\begin{aligned} F_s &= ks = 5000 \text{ N/m} [(0.3 \text{ m}) \sin \theta - (0.3 \text{ m}) \sin 30^\circ] \\ &= (1500 \sin \theta - 750) \text{ N} \end{aligned}$$

Virtual Displacements. The position coordinates, x_B and x_D , measured from the fixed point A , are used to locate \mathbf{F}_s and \mathbf{P} . These coordinates are parallel to the line of action of their corresponding forces. Expressing x_B and x_D in terms of the angle θ using trigonometry,

$$x_B = (0.3 \text{ m}) \sin \theta$$

$$x_D = 3[(0.3 \text{ m}) \sin \theta] = (0.9 \text{ m}) \sin \theta$$

Differentiating, we obtain the virtual displacements of points B and D .

$$\delta x_B = 0.3 \cos \theta \delta \theta \quad (1)$$

$$\delta x_D = 0.9 \cos \theta \delta \theta \quad (2)$$

Virtual-Work Equation. Force \mathbf{P} does positive work since it acts in the positive sense of its virtual displacement. The spring force \mathbf{F}_s does negative work since it acts opposite to its positive virtual displacement. Thus, the virtual-work equation becomes

$$\begin{aligned} \delta U &= 0; & -F_s \delta x_B + P \delta x_D &= 0 \\ - [1500 \sin \theta - 750] (0.3 \cos \theta \delta \theta) + P (0.9 \cos \theta \delta \theta) &= 0 \\ [0.9P + 225 - 450 \sin \theta] \cos \theta \delta \theta &= 0 \end{aligned}$$

Since $\cos \theta \delta \theta \neq 0$, then this equation requires

$$P = 500 \sin \theta - 250$$

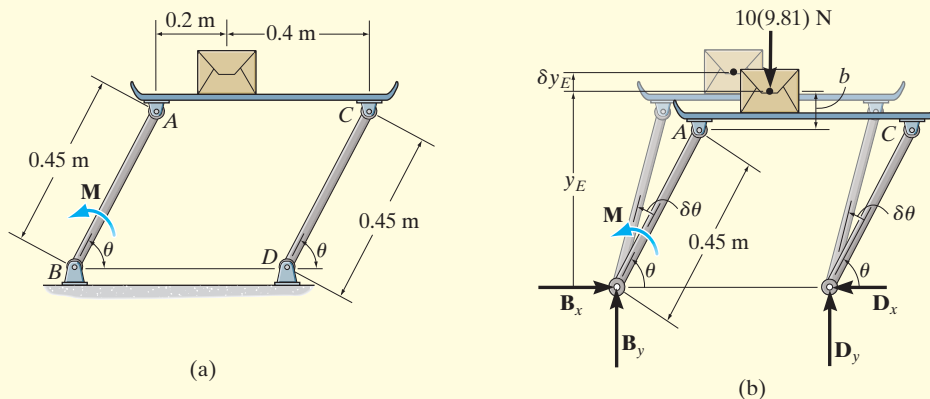
When $\theta = 60^\circ$,

$$P = 500 \sin 60^\circ - 250 = 183 \text{ N}$$

Ans.

EXAMPLE 11.3

If the box in Fig. 11–8a has a mass of 10 kg, determine the couple moment M needed to maintain equilibrium when $\theta = 60^\circ$. Neglect the mass of the members.

**Fig. 11–8****SOLUTION**

Free-Body Diagram. When θ undergoes a positive virtual displacement $\delta\theta$, only the couple moment \mathbf{M} and the weight of the box do work, Fig. 11–8b.

Virtual Displacements. The position coordinate y_E , measured from the fixed point B , locates the weight, $10(9.81)$ N. Here,

$$y_E = (0.45 \text{ m}) \sin \theta + b$$

where b is a constant distance. Differentiating this equation, we obtain

$$\delta y_E = 0.45 \text{ m} \cos \theta \delta\theta \quad (1)$$

Virtual-Work Equation. The virtual-work equation becomes

$$\delta U = 0; \quad M\delta\theta - [10(9.81) \text{ N}]\delta y_E = 0$$

Substituting Eq. 1 into this equation

$$\begin{aligned} M\delta\theta - 10(9.81) \text{ N}(0.45 \text{ m} \cos \theta \delta\theta) &= 0 \\ \delta\theta(M - 44.145 \cos \theta) &= 0 \end{aligned}$$

Since $\delta\theta \neq 0$, then

$$M - 44.145 \cos \theta = 0$$

Since it is required that $\theta = 60^\circ$, then

$$M = 44.145 \cos 60^\circ = 22.1 \text{ N} \cdot \text{m} \quad \text{Ans.}$$

EXAMPLE 11.4

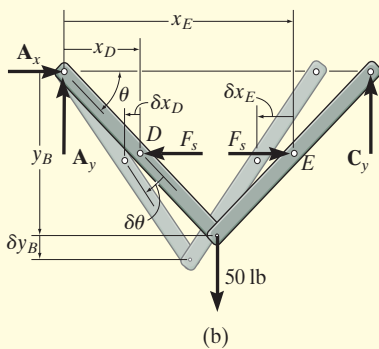
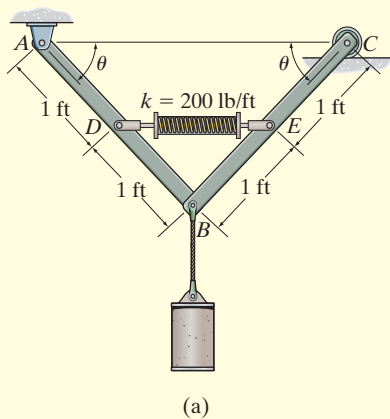


Fig. 11-9

The mechanism in Fig. 11-9a supports the 50-lb cylinder. Determine the angle θ for equilibrium if the spring has an unstretched length of 2 ft when $\theta = 0^\circ$. Neglect the mass of the members.

SOLUTION

Free-Body Diagram. When the mechanism undergoes a positive virtual displacement $\delta\theta$, Fig. 11-9b, only \mathbf{F}_s and the 50-lb force do work. Since the final length of the spring is $2(1 \text{ ft} \cos \theta)$, then

$$F_s = ks = (200 \text{ lb/ft})(2 \text{ ft} - 2 \text{ ft} \cos \theta) = (400 - 400 \cos \theta) \text{ lb}$$

Virtual Displacements. The position coordinates x_D and x_E are established from the *fixed point* A to locate \mathbf{F}_s at D and at E . The coordinate y_B , also measured from A , specifies the position of the 50-lb force at B . The coordinates can be expressed in terms of θ using trigonometry.

$$x_D = (1 \text{ ft}) \cos \theta$$

$$x_E = 3[(1 \text{ ft}) \cos \theta] = (3 \text{ ft}) \cos \theta$$

$$y_B = (2 \text{ ft}) \sin \theta$$

Differentiating, we obtain the virtual displacements of points D , E , and B as

$$\delta x_D = -1 \sin \theta \delta \theta \quad (1)$$

$$\delta x_E = -3 \sin \theta \delta \theta \quad (2)$$

$$\delta y_B = 2 \cos \theta \delta \theta \quad (3)$$

Virtual-Work Equation. The virtual-work equation is written as if all virtual displacements are positive, thus

$$\delta U = 0; \quad F_s \delta x_E + 50 \delta y_B - F_s \delta x_D = 0$$

$$(400 - 400 \cos \theta)(-3 \sin \theta \delta \theta) + 50(2 \cos \theta \delta \theta)$$

$$-(400 - 400 \cos \theta)(-1 \sin \theta \delta \theta) = 0$$

$$\delta \theta (800 \sin \theta \cos \theta - 800 \sin \theta + 100 \cos \theta) = 0$$

Since $\delta \theta \neq 0$, then

$$800 \sin \theta \cos \theta - 800 \sin \theta + 100 \cos \theta = 0$$

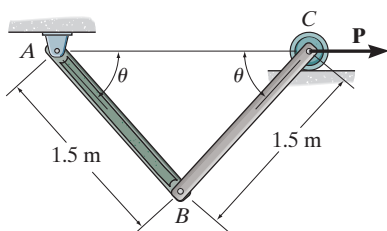
Solving by trial and error,

$$\theta = 34.9^\circ$$

Ans.

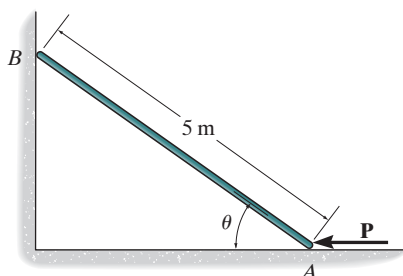
FUNDAMENTAL PROBLEMS

F11-1. Determine the required magnitude of force \mathbf{P} to maintain equilibrium of the linkage at $\theta = 60^\circ$. Each link has a mass of 20 kg.



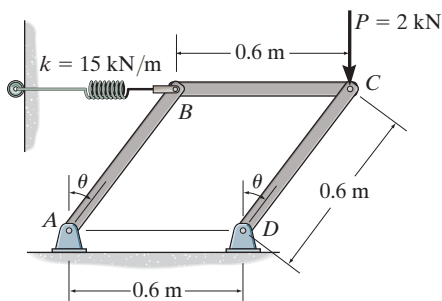
F11-1

F11-2. Determine the magnitude of force \mathbf{P} required to hold the 50-kg smooth rod in equilibrium at $\theta = 60^\circ$.



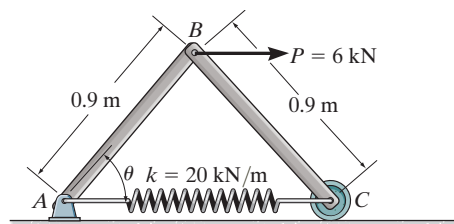
F11-2

F11-3. The linkage is subjected to a force of $P = 2$ kN. Determine the angle θ for equilibrium. The spring is unstretched when $\theta = 0^\circ$. Neglect the mass of the links.



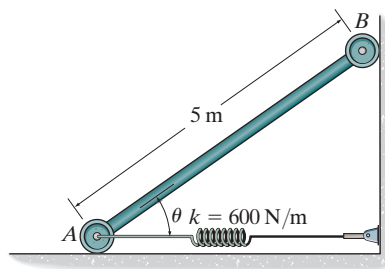
F11-3

F11-4. The linkage is subjected to a force of $P = 6$ kN. Determine the angle θ for equilibrium. The spring is unstretched at $\theta = 60^\circ$. Neglect the mass of the links.



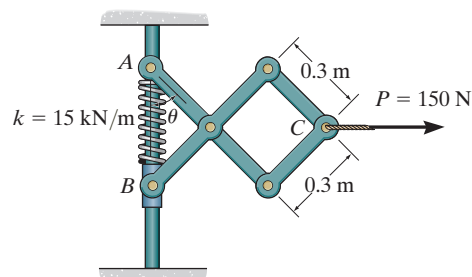
F11-4

F11-5. Determine the angle θ where the 50-kg bar is in equilibrium. The spring is unstretched at $\theta = 60^\circ$.



F11-5

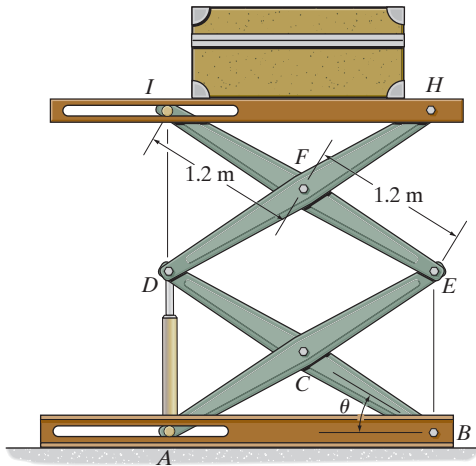
F11-6. The scissors linkage is subjected to a force of $P = 150$ N. Determine the angle θ for equilibrium. The spring is unstretched at $\theta = 0^\circ$. Neglect the mass of the links.



F11-6

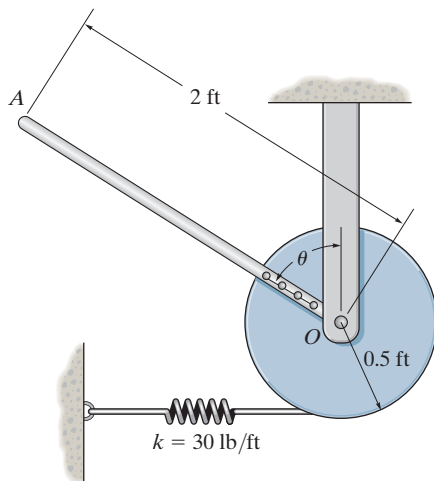
PROBLEMS

•11-1. The 200-kg crate is on the lift table at the position $\theta = 30^\circ$. Determine the force in the hydraulic cylinder AD for equilibrium. Neglect the mass of the lift table's components.



Prob. 11-1

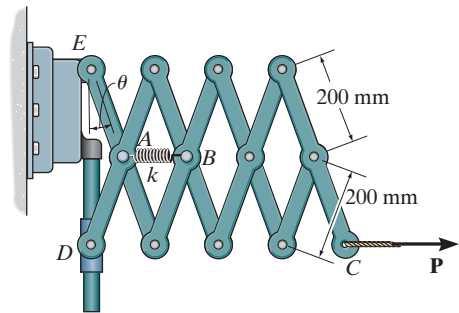
11-2. The uniform rod OA has a weight of 10 lb. When the rod is in a vertical position, $\theta = 0^\circ$, the spring is unstretched. Determine the angle θ for equilibrium if the end of the spring wraps around the periphery of the disk as the disk turns.



Prob. 11-2

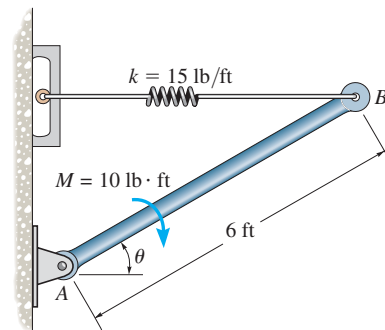
11-3. The “Nuremberg scissors” is subjected to a horizontal force of $P = 600$ N. Determine the angle θ for equilibrium. The spring has a stiffness of $k = 15$ kN/m and is unstretched when $\theta = 15^\circ$.

***11-4.** The “Nuremberg scissors” is subjected to a horizontal force of $P = 600$ N. Determine the stiffness k of the spring for equilibrium when $\theta = 60^\circ$. The spring is unstretched when $\theta = 15^\circ$.



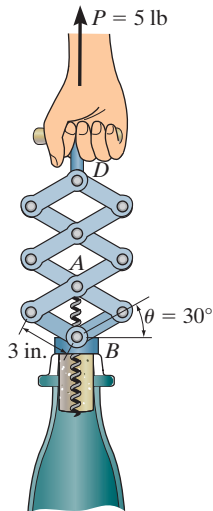
Probs. 11-3/4

•11-5. Determine the force developed in the spring required to keep the 10 lb uniform rod AB in equilibrium when $\theta = 35^\circ$.



Prob. 11-5

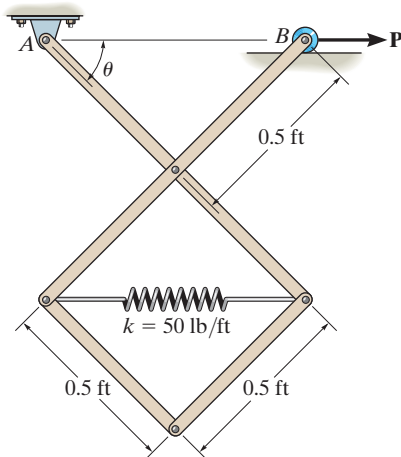
11-6. If a force of $P = 5$ lb is applied to the handle of the mechanism, determine the force the screw exerts on the cork of the bottle. The screw is attached to the pin at A and passes through the collar that is attached to the bottle neck at B .



Prob. 11-6

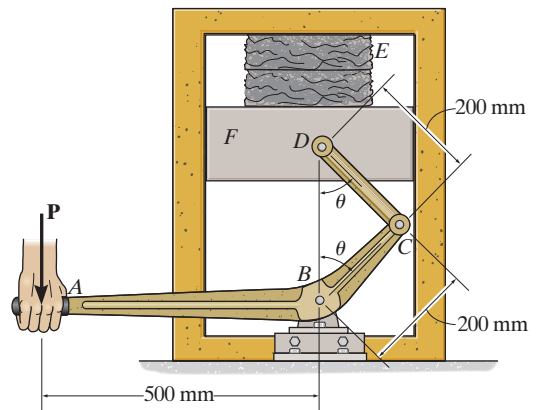
11-7. The pin-connected mechanism is constrained at A by a pin and at B by a roller. If $P = 10$ lb, determine the angle θ for equilibrium. The spring is unstretched when $\theta = 45^\circ$. Neglect the weight of the members.

***11-8.** The pin-connected mechanism is constrained by a pin at A and a roller at B . Determine the force P that must be applied to the roller to hold the mechanism in equilibrium when $\theta = 30^\circ$. The spring is unstretched when $\theta = 45^\circ$. Neglect the weight of the members.



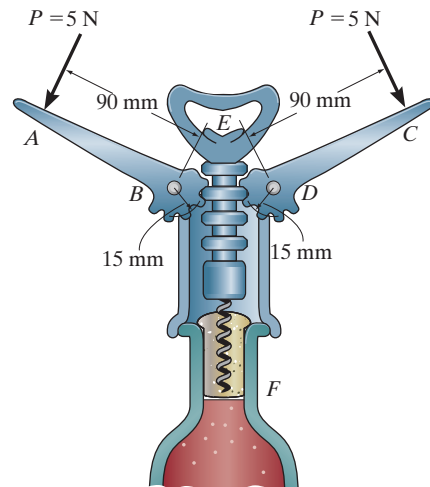
Probs. 11-7/8

•11-9. If a force $P = 100$ N is applied to the lever arm of the toggle press, determine the clamping force developed in the block when $\theta = 45^\circ$. Neglect the weight of the block.



Prob. 11-9

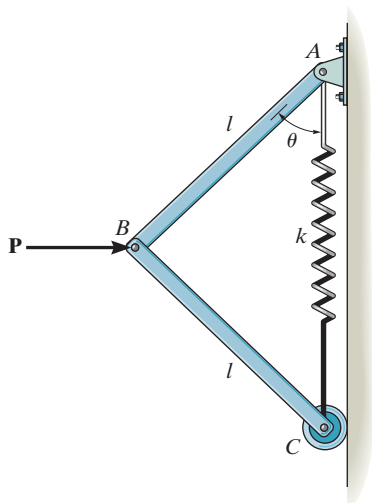
11-10. When the forces are applied to the handles of the bottle opener, determine the pulling force developed on the cork.



Prob. 11-10

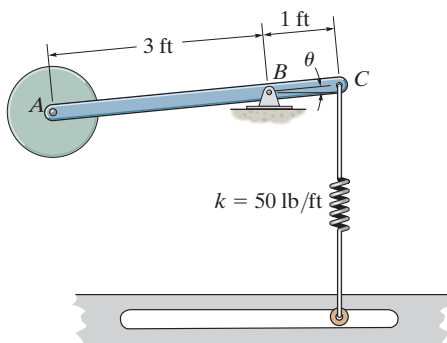
11-11. If the spring has a stiffness k and an unstretched length l_0 , determine the force P when the mechanism is in the position shown. Neglect the weight of the members.

***11-12.** Solve Prob. 11-11 if the force P is applied vertically downward at B .



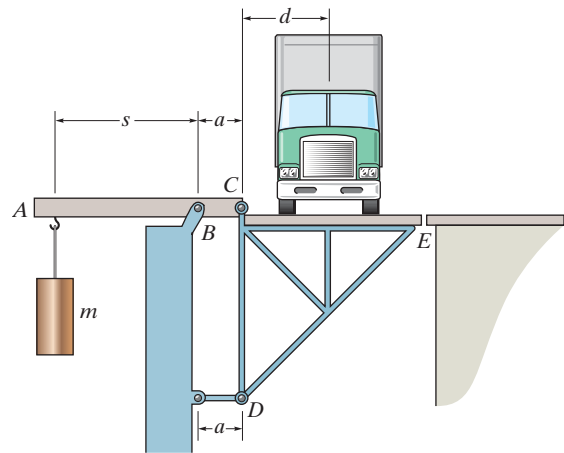
Probs. 11-11/12

•11-13. Determine the angles θ for equilibrium of the 4-lb disk using the principle of virtual work. Neglect the weight of the rod. The spring is unstretched when $\theta = 0^\circ$ and always remains in the vertical position due to the roller guide.



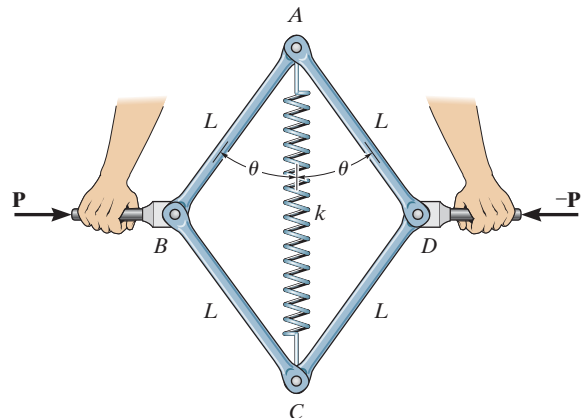
Prob. 11-13

11-14. The truck is weighed on the highway inspection scale. If a known mass m is placed a distance s from the fulcrum B of the scale, determine the mass of the truck m_t if its center of gravity is located at a distance d from point C . When the scale is empty, the weight of the lever ABC balances the scale CDE .



Prob. 11-14

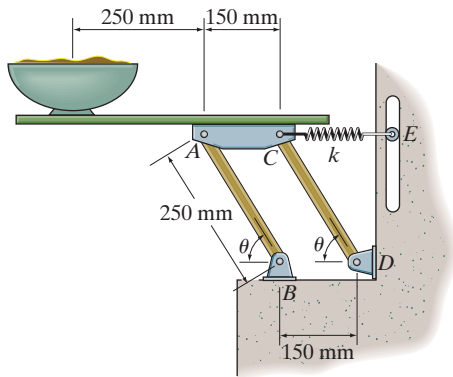
11-15. The assembly is used for exercise. It consists of four pin-connected bars, each of length L , and a spring of stiffness k and unstretched length a ($a < 2L$). If horizontal forces are applied to the handles so that θ is slowly decreased, determine the angle θ at which the magnitude of P becomes a maximum.



Prob. 11-15

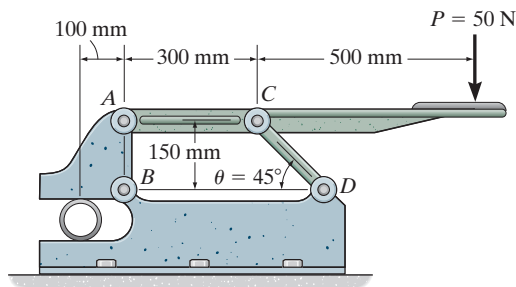
***11-16.** A 5-kg uniform serving table is supported on each side by pairs of two identical links, AB and CD , and springs CE . If the bowl has a mass of 1 kg, determine the angle θ where the table is in equilibrium. The springs each have a stiffness of $k = 200 \text{ N/m}$ and are unstretched when $\theta = 90^\circ$. Neglect the mass of the links.

•11-17. A 5-kg uniform serving table is supported on each side by two pairs of identical links, AB and CD , and springs CE . If the bowl has a mass of 1 kg and is in equilibrium when $\theta = 45^\circ$, determine the stiffness k of each spring. The springs are unstretched when $\theta = 90^\circ$. Neglect the mass of the links.



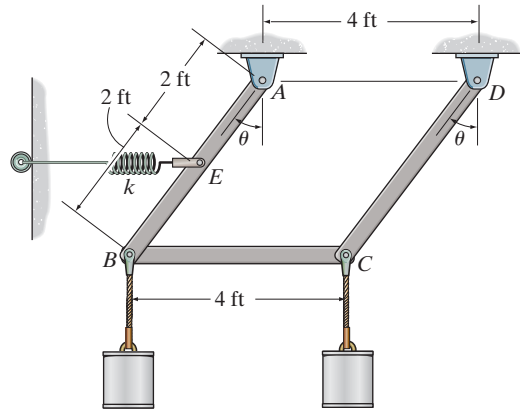
Probs. 11-16/17

11-18. If a vertical force of $P = 50 \text{ N}$ is applied to the handle of the toggle clamp, determine the clamping force exerted on the pipe.



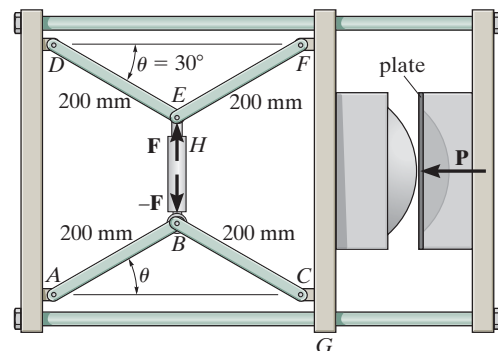
Prob. 11-18

11-19. The spring is unstretched when $\theta = 45^\circ$ and has a stiffness of $k = 1000 \text{ lb/ft}$. Determine the angle θ for equilibrium if each of the cylinders weighs 50 lb. Neglect the weight of the members. The spring remains horizontal at all times due to the roller.



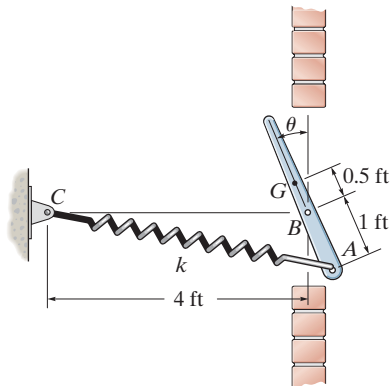
Prob. 11-19

***11-20.** The machine shown is used for forming metal plates. It consists of two toggles ABC and DEF , which are operated by the hydraulic cylinder. The toggles push the moveable bar G forward, pressing the plate into the cavity. If the force which the plate exerts on the head is $P = 8 \text{ kN}$, determine the force F in the hydraulic cylinder when $\theta = 30^\circ$.



Prob. 11-20

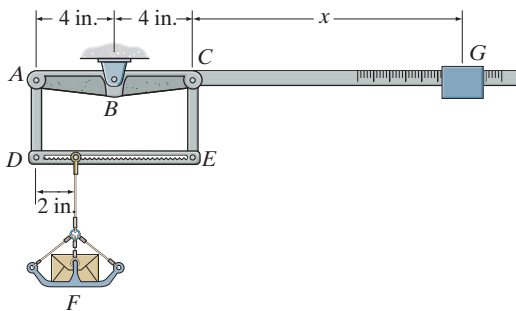
•11–21. The vent plate is supported at B by a pin. If it weighs 15 lb and has a center of gravity at G , determine the stiffness k of the spring so that the plate remains in equilibrium at $\theta = 30^\circ$. The spring is unstretched when $\theta = 0^\circ$.



Prob. 11–21

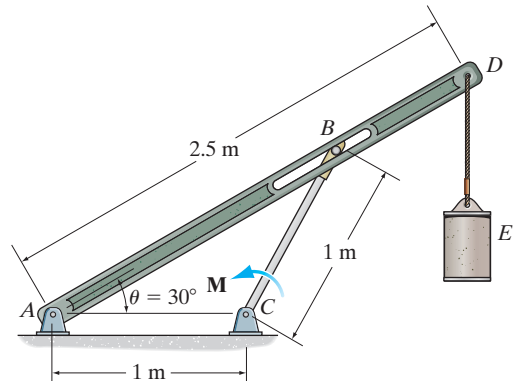
11–22. Determine the weight of block G required to balance the differential lever when the 20-lb load F is placed on the pan. The lever is in balance when the load and block are not on the lever. Take $x = 12$ in.

11–23. If the load F weighs 20 lb and the block G weighs 2 lb, determine its position x for equilibrium of the differential lever. The lever is in balance when the load and block are not on the lever.



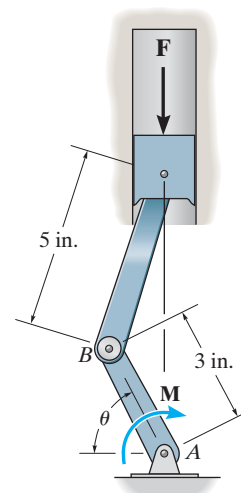
Probs. 11–22/23

*11–24. Determine the magnitude of the couple moment M required to support the 20-kg cylinder in the configuration shown. The smooth peg at B can slide freely within the slot. Neglect the mass of the members.



Prob. 11–24

•11–25. The crankshaft is subjected to a torque of $M = 50 \text{ lb} \cdot \text{ft}$. Determine the vertical compressive force F applied to the piston for equilibrium when $\theta = 60^\circ$.



Prob. 11–25

*11.4 Conservative Forces

If the work of a force only depends upon its initial and final positions, and is *independent* of the path it travels, then the force is referred to as a *conservative force*. The weight of a body and the force of a spring are two examples of conservative forces.

Weight. Consider a block of weight \mathbf{W} that travels along the path in Fig. 11–10a. When it is displaced up the path by an amount $d\mathbf{r}$, then the work is $dU = \mathbf{W} \cdot d\mathbf{r}$ or $dU = -W(dr \cos \theta) = -Wdy$, as shown in Fig. 11–10b. In this case, the work is *negative* since \mathbf{W} acts in the opposite sense of dy . Thus, if the block moves from A to B , through the vertical displacement h , the work is

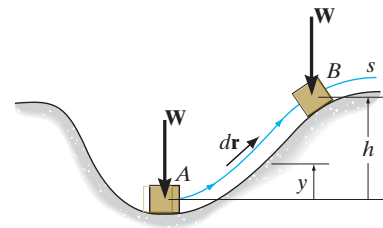
$$U = - \int_0^h W dy = -Wh$$

The weight of a body is therefore a conservative force, since the work done by the weight depends only on the *vertical displacement* of the body, and is independent of the path along which the body travels.

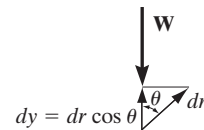
Spring Force. Now consider the linearly elastic spring in Fig. 11–11, which undergoes a displacement ds . The work done by the spring force on the block is $dU = -F_s ds = -ks ds$. The work is *negative* because \mathbf{F}_s acts in the opposite sense to that of ds . Thus, the work of \mathbf{F}_s when the block is displaced from $s = s_1$ to $s = s_2$ is

$$U = - \int_{s_1}^{s_2} ks ds = - \left(\frac{1}{2} ks_2^2 - \frac{1}{2} ks_1^2 \right)$$

Here the work depends only on the spring's initial and final positions, s_1 and s_2 , measured from the spring's unstretched position. Since this result is independent of the path taken by the block as it moves, then a spring force is also a *conservative force*.



(a)



(b)

Fig. 11–10

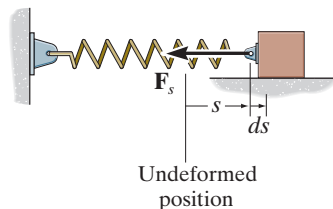


Fig. 11–11

Friction. In contrast to a conservative force, consider the force of *friction* exerted on a sliding body by a fixed surface. The work done by the frictional force depends on the path; the longer the path, the greater the work. Consequently, frictional forces are *nonconservative*, and most of the work done by them is dissipated from the body in the form of heat.

*11.5 Potential Energy

When a conservative force acts on a body, it gives the body the capacity to do work. This capacity, measured as *potential energy*, depends on the location of the body relative to a fixed reference position or datum.

Gravitational Potential Energy. If a body is located a distance y *above* a fixed horizontal reference or datum as in Fig. 11–12, the weight of the body has *positive* gravitational potential energy V_g since \mathbf{W} has the capacity of doing positive work when the body is moved back down to the datum. Likewise, if the body is located a distance y *below* the datum, V_g is *negative* since the weight does negative work when the body is moved back up to the datum. At the datum, $V_g = 0$.

Measuring y as *positive upward*, the gravitational potential energy of the body's weight \mathbf{W} is therefore

$$V_g = Wy \quad (11-4)$$

Elastic Potential Energy. When a spring is either elongated or compressed by an amount s from its unstretched position (the datum), the energy stored in the spring is called *elastic potential energy*. It is determined from

$$V_e = \frac{1}{2} ks^2 \quad (11-5)$$

This energy is always a positive quantity since the spring force acting on the attached body does *positive* work on the body as the force returns the body to the spring's unstretched position, Fig. 11–13.

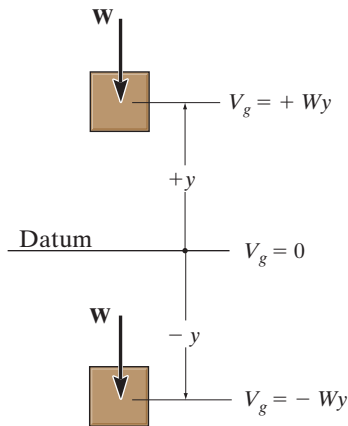
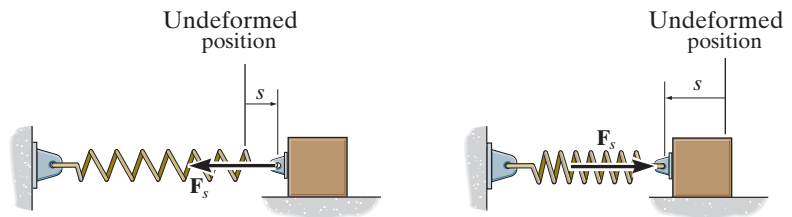


Fig. 11–12



$$V_e = +\frac{1}{2} ks^2$$

Fig. 11–13

Potential Function. In the general case, if a body is subjected to *both* gravitational and elastic forces, the *potential energy or potential function* V of the body can be expressed as the algebraic sum

$$V = V_g + V_e \quad (11-6)$$

where measurement of V depends on the location of the body with respect to a selected datum in accordance with Eqs. 11-4 and 11-5.

In particular, if a *system* of frictionless connected rigid bodies has a *single degree of freedom*, such that its vertical position from the datum is defined by the coordinate q , then the potential function for the system can be expressed as $V = V(q)$. The work done by all the weight and spring forces acting on the system in moving it from q_1 to q_2 , is measured by the *difference* in V ; i.e.,

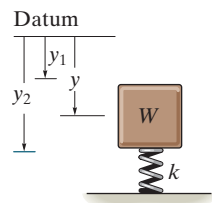
$$U_{1-2} = V(q_1) - V(q_2) \quad (11-7)$$

For example, the potential function for a system consisting of a block of weight \mathbf{W} supported by a spring, as in Fig. 11-14, can be expressed in terms of the coordinate ($q =$) y , measured from a fixed datum located at the unstretched length of the spring. Here

$$\begin{aligned} V &= V_g + V_e \\ &= -Wy + \frac{1}{2}ky^2 \end{aligned} \quad (11-8)$$

If the block moves from y_1 to y_2 , then applying Eq. 11-7 the work of \mathbf{W} and \mathbf{F}_s is

$$U_{1-2} = V(y_1) - V(y_2) = -W(y_1 - y_2) + \frac{1}{2}ky_1^2 - \frac{1}{2}ky_2^2$$



(a)

Fig. 11-14

*11.6 Potential-Energy Criterion for Equilibrium

If a frictionless connected system has one degree of freedom, and its position is defined by the coordinate q , then if it displaces from q to $q + dq$, Eq. 11-7 becomes

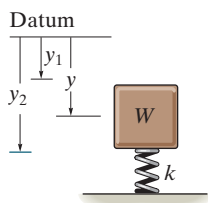
$$dU = V(q) - V(q + dq)$$

or

$$dU = -dV$$

If the system is in equilibrium and undergoes a *virtual displacement* δq , rather than an actual displacement dq , then the above equation becomes $\delta U = -\delta V$. However, the principle of virtual work requires that $\delta U = 0$, and therefore, $\delta V = 0$, and so we can write $\delta V = (dV/dq)\delta q = 0$. Since $\delta q \neq 0$, this expression becomes

$$\frac{dV}{dq} = 0 \quad (11-9)$$



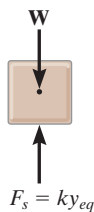
(a)

Hence, when a frictionless connected system of rigid bodies is in equilibrium, the first derivative of its potential function is zero. For example, using Eq. 11-8 we can determine the equilibrium position for the spring and block in Fig. 11-14a. We have

$$\frac{dV}{dy} = -W + ky = 0$$

Hence, the equilibrium position $y = y_{eq}$ is

$$y_{eq} = \frac{W}{k}$$



(b)

Fig. 11-14

Of course, this *same result* can be obtained by applying $\Sigma F_y = 0$ to the forces acting on the free-body diagram of the block, Fig. 11-14b.

*11.7 Stability of Equilibrium Configuration

The potential function V of a system can also be used to investigate the stability of the equilibrium configuration, which is classified as *stable*, *neutral*, or *unstable*.

Stable Equilibrium. A system is said to be *stable* if a system has a tendency to return to its original position when a small displacement is given to the system. The potential energy of the system in this case is at its *minimum*. A simple example is shown in Fig. 11–15a. When the disk is given a small displacement, its center of gravity G will always move (rotate) back to its equilibrium position, which is at the *lowest point* of its path. This is where the potential energy of the disk is at its *minimum*.

Neutral Equilibrium. A system is said to be in *neutral equilibrium* if the system still remains in equilibrium when the system is given a small displacement away from its original position. In this case, the potential energy of the system is *constant*. Neutral equilibrium is shown in Fig. 11–15b, where a disk is pinned at G . Each time the disk is rotated, a new equilibrium position is established and the potential energy remains unchanged.

Unstable Equilibrium. A system is said to be *unstable* if it has a tendency to be *displaced further away* from its original equilibrium position when it is given a small displacement. The potential energy of the system in this case is a *maximum*. An unstable equilibrium position of the disk is shown in Fig. 11–15c. Here the disk will rotate away from its equilibrium position when its center of gravity is slightly displaced. At this *highest point*, its potential energy is at a *maximum*.



The counterweight at A balances the weight of the deck B of this simple lift bridge. By applying the method of potential energy we can study the stability of the structure for various equilibrium positions of the deck.

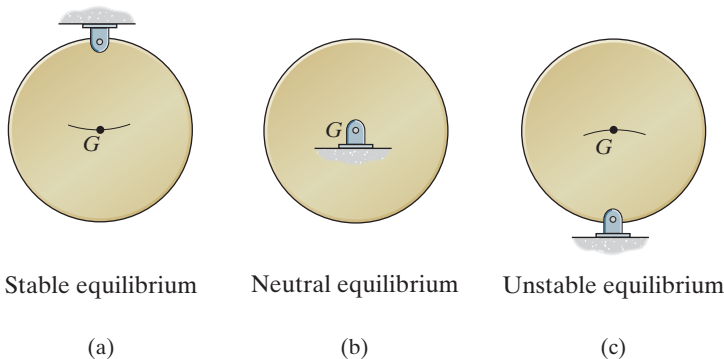


Fig. 11–15

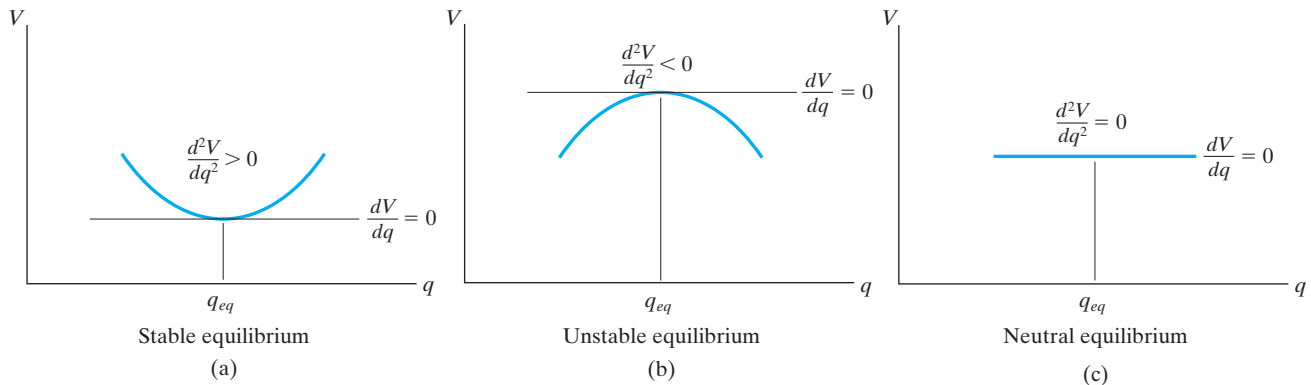


Fig. 11-16

One-Degree-of-Freedom System. If a system has only one degree of freedom, and its position is defined by the coordinate q , then the potential function V for the system in terms of q can be plotted, Fig. 11-16. Provided the system is in *equilibrium*, then dV/dq , which represents the slope of this function, must be equal to zero. An investigation of stability at the equilibrium configuration therefore requires that the second derivative of the potential function be evaluated.

If d^2V/dq^2 is greater than zero, Fig. 11-16a, the potential energy of the system will be a *minimum*. This indicates that the equilibrium configuration is *stable*. Thus,

$$\frac{dV}{dq} = 0, \quad \frac{d^2V}{dq^2} > 0 \quad \text{stable equilibrium} \quad (11-10)$$

If d^2V/dq^2 is less than zero, Fig. 11-16b, the potential energy of the system will be a *maximum*. This indicates an *unstable* equilibrium configuration. Thus,

$$\frac{dV}{dq} = 0, \quad \frac{d^2V}{dq^2} < 0 \quad \text{unstable equilibrium} \quad (11-11)$$

Finally, if d^2V/dq^2 is equal to zero, it will be necessary to investigate the higher order derivatives to determine the stability. The equilibrium configuration will be *stable* if the first non-zero derivative is of an *even* order and it is *positive*. Likewise, the equilibrium will be *unstable* if this first non-zero derivative is odd or if it is even and negative. If all the higher order derivatives are *zero*, the system is said to be in *neutral equilibrium*, Fig 11-16c. Thus,

$$\frac{dV}{dq} = \frac{d^2V}{dq^2} = \frac{d^3V}{dq^3} = \dots = 0 \quad \text{neutral equilibrium} \quad (11-12)$$

This condition occurs only if the potential-energy function for the system is constant at or around the neighborhood of q_{eq} .



11

During high winds and when going around a curve, these sugar-cane trucks can become unstable and tip over since their center of gravity is high off the road when they are fully loaded.

Procedure for Analysis

Using potential-energy methods, the equilibrium positions and the stability of a body or a system of connected bodies having a single degree of freedom can be obtained by applying the following procedure.

Potential Function.

- Sketch the system so that it is in the *arbitrary position* specified by the coordinate q .
- Establish a horizontal *datum* through a *fixed point** and express the gravitational potential energy V_g in terms of the weight W of each member and its vertical distance y from the datum, $V_g = Wy$.
- Express the elastic potential energy V_e of the system in terms of the stretch or compression, s , of any connecting spring, $V_e = \frac{1}{2}ks^2$.
- Formulate the potential function $V = V_g + V_e$ and express the *position coordinates* y and s in terms of the single coordinate q .

Equilibrium Position.

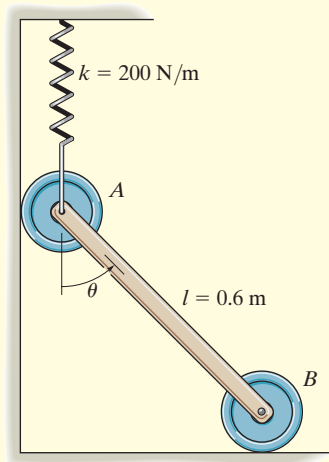
- The equilibrium position of the system is determined by taking the first derivative of V and setting it equal to zero, $dV/dq = 0$.

Stability.

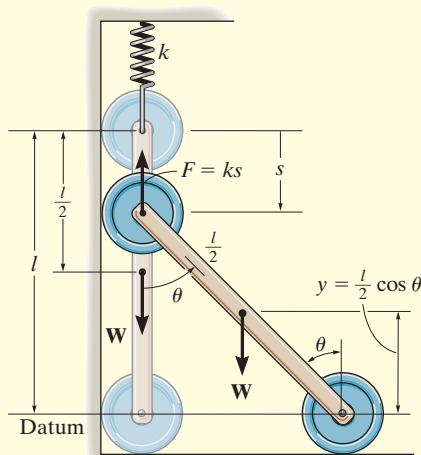
- Stability at the equilibrium position is determined by evaluating the second or higher-order derivatives of V .
- If the second derivative is greater than zero, the system is stable; if all derivatives are equal to zero, the system is in neutral equilibrium; and if the second derivative is less than zero, the system is unstable.

*The location of the datum is *arbitrary*, since only the *changes* or differentials of V are required for investigation of the equilibrium position and its stability.

EXAMPLE 11.5



(a)



(b)

Fig 11-17

The uniform link shown in Fig. 11-17a has a mass of 10 kg. If the spring is unstretched when $\theta = 0^\circ$, determine the angle θ for equilibrium and investigate the stability at the equilibrium position.

SOLUTION

Potential Function. The datum is established at the bottom of the link, Fig. 11-17b. When the link is located in the arbitrary position θ , the spring increases its potential energy by stretching and the weight decreases its potential energy. Hence,

$$V = V_e + V_g = \frac{1}{2}ks^2 + Wy$$

Since $l = s + l \cos \theta$ or $s = l(1 - \cos \theta)$, and $y = (l/2) \cos \theta$, then

$$V = \frac{1}{2}kl^2(1 - \cos \theta)^2 + W\left(\frac{l}{2} \cos \theta\right)$$

Equilibrium Position. The first derivative of V is

$$\frac{dV}{d\theta} = kl^2(1 - \cos \theta) \sin \theta - \frac{Wl}{2} \sin \theta = 0$$

or

$$l \left[kl(1 - \cos \theta) - \frac{W}{2} \right] \sin \theta = 0$$

This equation is satisfied provided

$$\sin \theta = 0 \quad \theta = 0^\circ \quad \text{Ans.}$$

$$\theta = \cos^{-1} \left(1 - \frac{W}{2kl} \right) = \cos^{-1} \left[1 - \frac{10(9.81)}{2(200)(0.6)} \right] = 53.8^\circ \text{ Ans.}$$

Stability. The second derivative of V is

$$\begin{aligned} \frac{d^2V}{d\theta^2} &= kl^2(1 - \cos \theta) \cos \theta + kl^2 \sin \theta \sin \theta - \frac{Wl}{2} \cos \theta \\ &= kl^2(\cos \theta - \cos 2\theta) - \frac{Wl}{2} \cos \theta \end{aligned}$$

Substituting values for the constants, with $\theta = 0^\circ$ and $\theta = 53.8^\circ$, yields

$$\left. \frac{d^2V}{d\theta^2} \right|_{\theta=0^\circ} = 200(0.6)^2(\cos 0^\circ - \cos 0^\circ) - \frac{10(9.81)(0.6)}{2} \cos 0^\circ$$

$$= -29.4 < 0 \quad (\text{unstable equilibrium at } \theta = 0^\circ) \quad \text{Ans.}$$

$$\left. \frac{d^2V}{d\theta^2} \right|_{\theta=53.8^\circ} = 200(0.6)^2(\cos 53.8^\circ - \cos 107.6^\circ) - \frac{10(9.81)(0.6)}{2} \cos 53.8^\circ$$

$$= 46.9 > 0 \quad (\text{stable equilibrium at } \theta = 53.8^\circ) \quad \text{Ans.}$$

EXAMPLE 11.6

If the spring AD in Fig. 11–18a has a stiffness of 18 kN/m and is unstretched when $\theta = 60^\circ$, determine the angle θ for equilibrium. The load has a mass of 1.5 Mg. Investigate the stability at the equilibrium position.

SOLUTION

Potential Energy. The gravitational potential energy for the load with respect to the fixed datum, shown in Fig. 11–18b, is

$$V_g = mgy = 1500(9.81) \text{ N}[(4 \text{ m}) \sin \theta + h] = 58\,860 \sin \theta + 14\,715h$$

where h is a constant distance. From the geometry of the system, the elongation of the spring when the load is on the platform is $s = (4 \text{ m}) \cos \theta - (4 \text{ m}) \cos 60^\circ = (4 \text{ m}) \cos \theta - 2 \text{ m}$.

Thus, the elastic potential energy of the system is

$$V_e = \frac{1}{2}ks^2 = \frac{1}{2}(18\,000 \text{ N/m})(4 \text{ m} \cos \theta - 2 \text{ m})^2 = 9000(4 \cos \theta - 2)^2$$

The potential energy function for the system is therefore

$$V = V_g + V_e = 58\,860 \sin \theta + 14\,715h + 9000(4 \cos \theta - 2)^2 \quad (1)$$

Equilibrium. When the system is in equilibrium,

$$\begin{aligned} \frac{dV}{d\theta} &= 58\,860 \cos \theta + 18\,000(4 \cos \theta - 2)(-4 \sin \theta) = 0 \\ 58\,860 \cos \theta - 288\,000 \sin \theta \cos \theta + 144\,000 \sin \theta &= 0 \end{aligned}$$

Since $\sin 2\theta = 2 \sin \theta \cos \theta$,

$$58\,860 \cos \theta - 144\,000 \sin 2\theta + 144\,000 \sin \theta = 0$$

Solving by trial and error,

$$\theta = 28.18^\circ \text{ and } \theta = 45.51^\circ$$

Ans.

Stability. Taking the second derivative of Eq. 1,

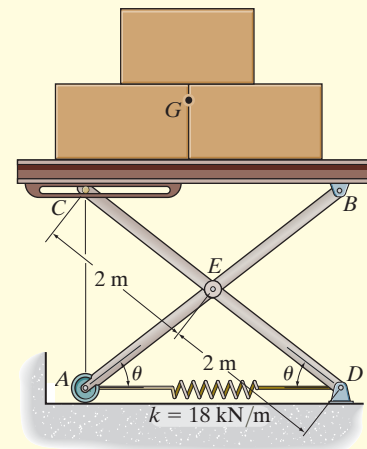
$$\frac{d^2V}{d\theta^2} = -58\,860 \sin \theta - 288\,000 \cos 2\theta + 144\,000 \cos \theta$$

Substituting $\theta = 28.18^\circ$ yields

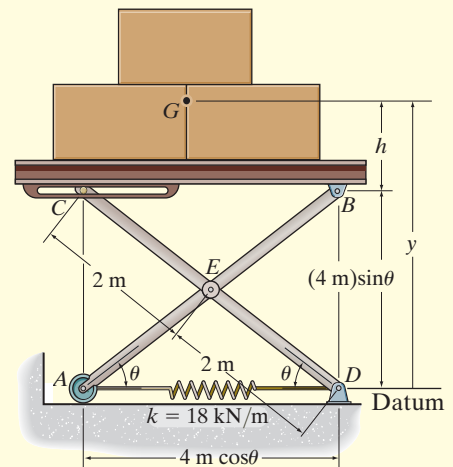
$$\frac{d^2V}{d\theta^2} = -60\,409 < 0 \quad \text{Unstable} \quad \textit{Ans.}$$

And for $\theta = 45.51^\circ$,

$$\frac{d^2V}{d\theta^2} = 64\,073 > 0 \quad \text{Stable} \quad \textit{Ans.}$$



(a)



(b)

Fig 11–18

EXAMPLE 11.7

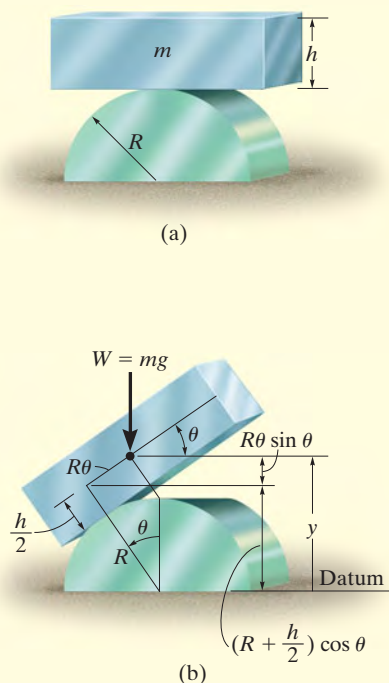


Fig 11-19

The uniform block having a mass m rests on the top surface of the half cylinder, Fig. 11-19a. Show that this is a condition of unstable equilibrium if $h > 2R$.

SOLUTION

Potential Function. The datum is established at the base of the cylinder, Fig. 11-19b. If the block is displaced by an amount θ from the equilibrium position, the potential function is

$$\begin{aligned} V &= V_e + V_g \\ &= 0 + mgy \end{aligned}$$

From Fig. 11-18b,

$$y = \left(R + \frac{h}{2}\right) \cos \theta + R\theta \sin \theta$$

Thus,

$$V = mg \left[\left(R + \frac{h}{2}\right) \cos \theta + R\theta \sin \theta \right]$$

Equilibrium Position.

$$\begin{aligned} \frac{dV}{d\theta} &= mg \left[-\left(R + \frac{h}{2}\right) \sin \theta + R \sin \theta + R\theta \cos \theta \right] = 0 \\ &= mg \left(-\frac{h}{2} \sin \theta + R\theta \cos \theta \right) = 0 \end{aligned}$$

Note that $\theta = 0^\circ$ satisfies this equation.

Stability. Taking the second derivative of V yields

$$\frac{d^2V}{d\theta^2} = mg \left(-\frac{h}{2} \cos \theta + R \cos \theta - R\theta \sin \theta \right)$$

At $\theta = 0^\circ$,

$$\left. \frac{d^2V}{d\theta^2} \right|_{\theta=0^\circ} = -mg \left(\frac{h}{2} - R \right)$$

Since all the constants are positive, the block is in unstable equilibrium provided $h > 2R$, because then $d^2V/d\theta^2 < 0$.

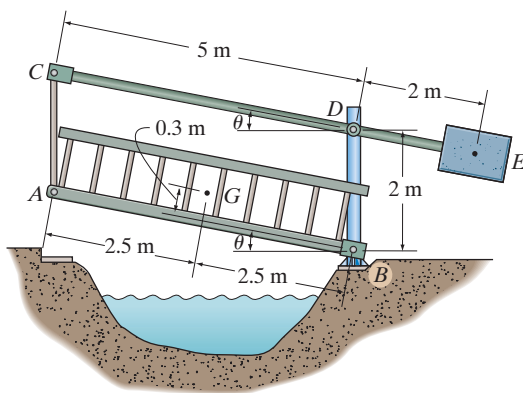
PROBLEMS

11-26. If the potential energy for a conservative one-degree-of-freedom system is expressed by the relation $V = (4x^3 - x^2 - 3x + 10)$ ft · lb, where x is given in feet, determine the equilibrium positions and investigate the stability at each position.

11-27. If the potential energy for a conservative one-degree-of-freedom system is expressed by the relation $V = (24 \sin \theta + 10 \cos 2\theta)$ ft · lb, $0^\circ \leq \theta \leq 90^\circ$, determine the equilibrium positions and investigate the stability at each position.

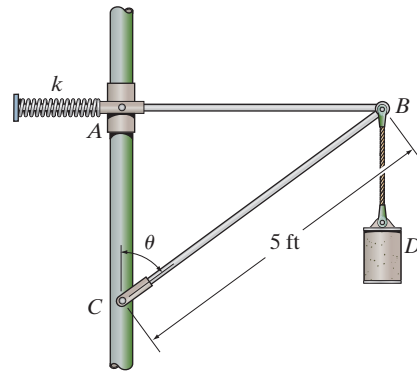
***11-28.** If the potential energy for a conservative one-degree-of-freedom system is expressed by the relation $V = (3y^3 + 2y^2 - 4y + 50)$ J, where y is given in meters, determine the equilibrium positions and investigate the stability at each position.

•11-29. The 2-Mg bridge, with center of mass at point G , is lifted by two beams CD , located at each side of the bridge. If the 2-Mg counterweight E is attached to the beams as shown, determine the angle θ for equilibrium. Neglect the weight of the beams and the tie rods.



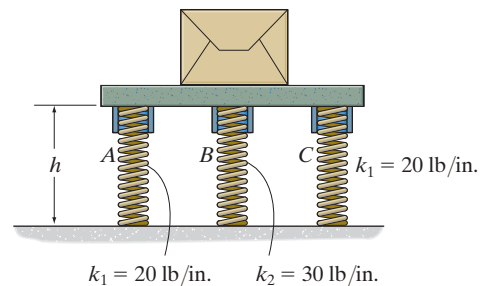
Prob. 11-29

11-30. The spring has a stiffness $k = 600$ lb/ft and is unstretched when $\theta = 45^\circ$. If the mechanism is in equilibrium when $\theta = 60^\circ$, determine the weight of cylinder D . Neglect the weight of the members. Rod AB remains horizontal at all times since the collar can slide freely along the vertical guide.



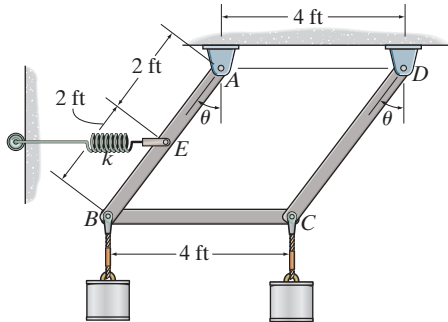
Prob. 11-30

11-31. If the springs at A and C have an unstretched length of 10 in. while the spring at B has an unstretched length of 12 in., determine the height h of the platform when the system is in equilibrium. Investigate the stability of this equilibrium configuration. The package and the platform have a total weight of 150 lb.



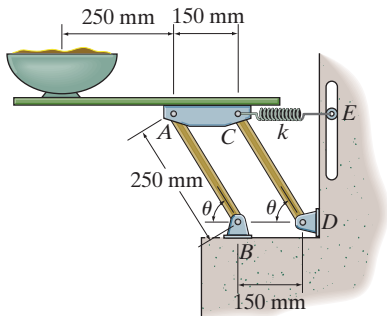
Prob. 11-31

***11–32.** The spring is unstretched when $\theta = 45^\circ$ and has a stiffness of $k = 1000 \text{ lb/ft}$. Determine the angle θ for equilibrium if each of the cylinders weighs 50 lb. Neglect the weight of the members.



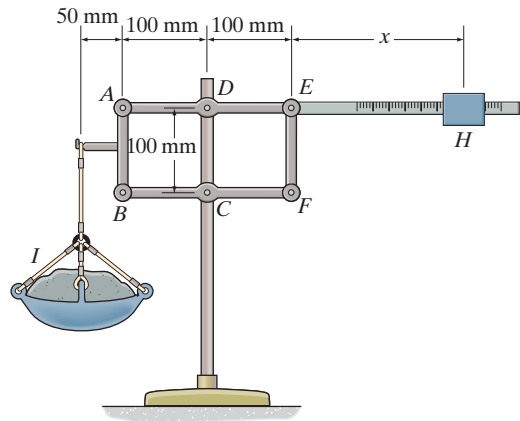
Prob. 11–32

•11–33. A 5-kg uniform serving table is supported on each side by pairs of two identical links, AB and CD , and springs CE . If the bowl has a mass of 1 kg, determine the angle θ where the table is in equilibrium. The springs each have a stiffness of $k = 200 \text{ N/m}$ and are unstretched when $\theta = 90^\circ$. Neglect the mass of the links.



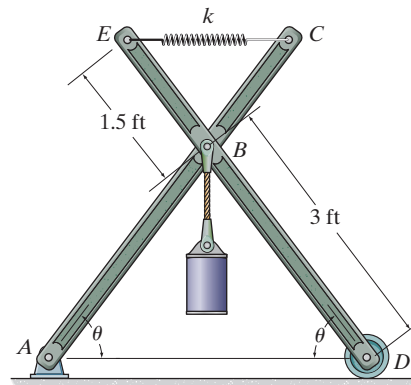
Prob. 11–33

11–34. If a 10-kg load I is placed on the pan, determine the position x of the 0.75-kg block H for equilibrium. The scale is in balance when the weight and the load are not on the scale.



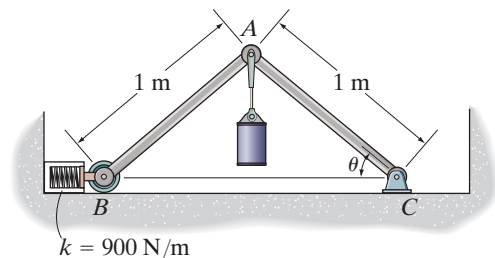
Prob. 11–34

11–35. Determine the angles θ for equilibrium of the 200-lb cylinder and investigate the stability of each position. The spring has a stiffness of $k = 300 \text{ lb/ft}$ and an unstretched length of 0.75 ft.



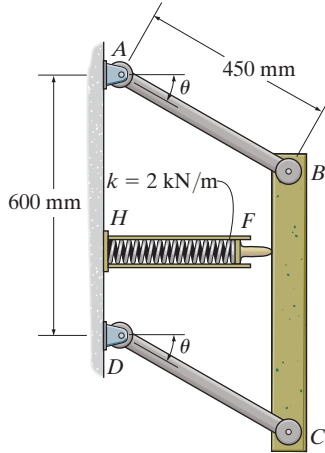
Prob. 11–35

***11–36.** Determine the angles θ for equilibrium of the 50-kg cylinder and investigate the stability of each position. The spring is uncompressed when $\theta = 60^\circ$.



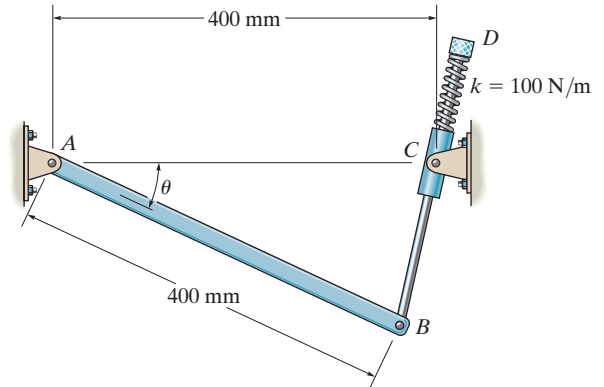
Prob. 11–36

•**11-37.** If the mechanism is in equilibrium when $\theta = 30^\circ$, determine the mass of the bar BC . The spring has a stiffness of $k = 2 \text{ kN/m}$ and is uncompressed when $\theta = 0^\circ$. Neglect the mass of the links.



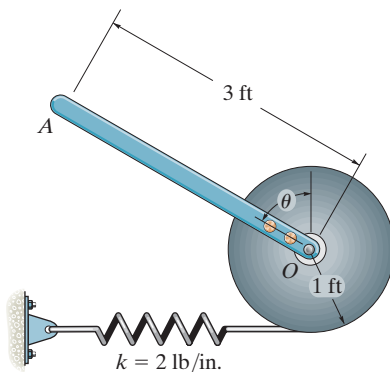
Prob. 11-37

11-39. The uniform link AB has a mass of 3 kg and is pin connected at both of its ends. The rod BD , having negligible weight, passes through a swivel block at C . If the spring has a stiffness of $k = 100 \text{ N/m}$ and is unstretched when $\theta = 0^\circ$, determine the angle θ for equilibrium and investigate the stability at the equilibrium position. Neglect the size of the swivel block.



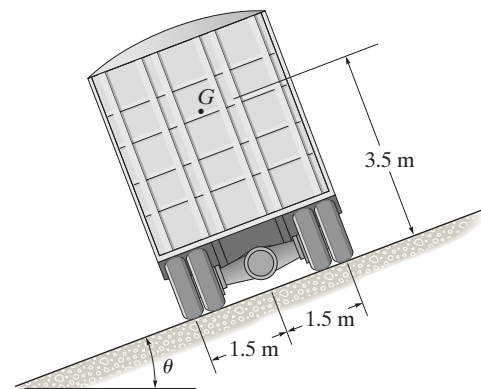
Prob. 11-39

11-38. The uniform rod OA weighs 20 lb , and when the rod is in the vertical position, the spring is unstretched. Determine the position θ for equilibrium. Investigate the stability at the equilibrium position.



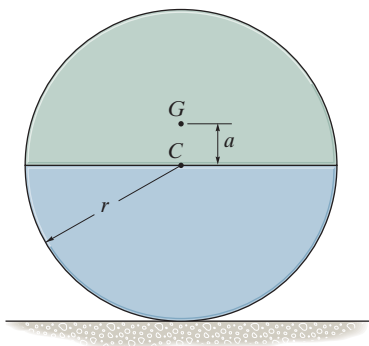
Prob. 11-38

***11-40.** The truck has a mass of 20 Mg and a mass center at G . Determine the steepest grade θ along which it can park without overturning and investigate the stability in this position.



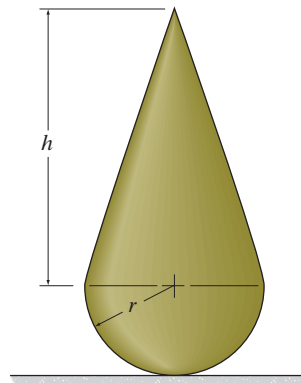
Prob. 11-40

•11–41. The cylinder is made of two materials such that it has a mass of m and a center of gravity at point G . Show that when G lies above the centroid C of the cylinder, the equilibrium is unstable.



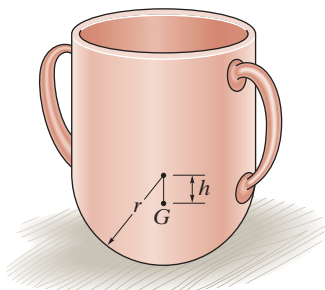
Prob. 11–41

11–43. Determine the height h of the cone in terms of the radius r of the hemisphere so that the assembly is in neutral equilibrium. Both the cone and the hemisphere are made from the same material.



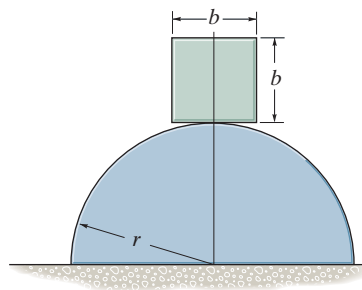
Prob. 11–43

11–42. The cap has a hemispherical bottom and a mass m . Determine the position h of the center of mass G so that the cup is in neutral equilibrium.



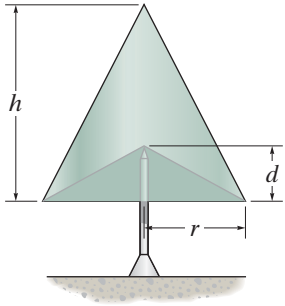
Prob. 11–42

*11–44. A homogeneous block rests on top of the cylindrical surface. Derive the relationship between the radius of the cylinder, r , and the dimension of the block, b , for stable equilibrium. *Hint:* Establish the potential energy function for a small angle θ , i.e., approximate $\sin \theta \approx \theta$, and $\cos \theta \approx 1 - \theta^2/2$.



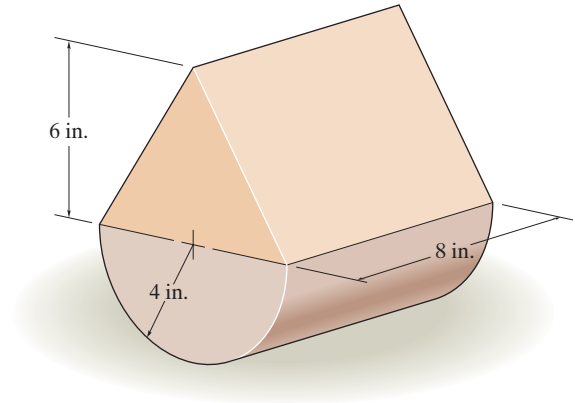
Prob. 11–44

•11-45. The homogeneous cone has a conical cavity cut into it as shown. Determine the depth d of the cavity in terms of h so that the cone balances on the pivot and remains in neutral equilibrium.



Prob. 11-45

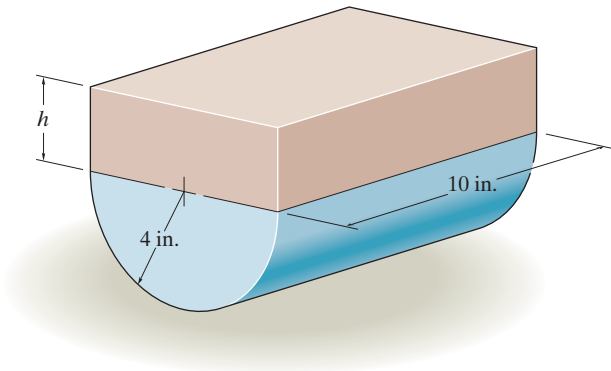
*11-48. The assembly shown consists of a semicircular cylinder and a triangular prism. If the prism weighs 8 lb and the cylinder weighs 2 lb, investigate the stability when the assembly is resting in the equilibrium position.



Prob. 11-48

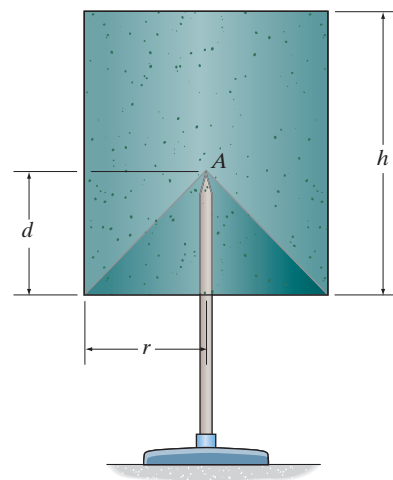
11-46. The assembly shown consists of a semicylinder and a rectangular block. If the block weighs 8 lb and the semicylinder weighs 2 lb, investigate the stability when the assembly is resting in the equilibrium position. Set $h = 4$ in.

11-47. The 2-lb semicylinder supports the block which has a specific weight of $\gamma = 80$ lb/ft³. Determine the height h of the block which will produce neutral equilibrium in the position shown.



Probs. 11-46/47

•11-49. A conical hole is drilled into the bottom of the cylinder, and it is then supported on the fulcrum at A . Determine the minimum distance d in order for it to remain in stable equilibrium.



Prob. 11-49

CHAPTER REVIEW

Principle of Virtual Work

The forces on a body will do *virtual work* when the body undergoes an *imaginary* differential displacement or rotation.

For equilibrium, the sum of the virtual work done by all the forces acting on the body must be equal to zero for any virtual displacement. This is referred to as the *principle of virtual work*, and it is useful for finding the equilibrium configuration for a mechanism or a reactive force acting on a series of connected members.

If the system of connected members has one degree of freedom, then its position can be specified by one independent coordinate such as θ .

To apply the principle of virtual work, it is first necessary to use *position coordinates* to locate all the forces and moments on the mechanism that will do work when the mechanism undergoes a virtual movement $\delta\theta$.

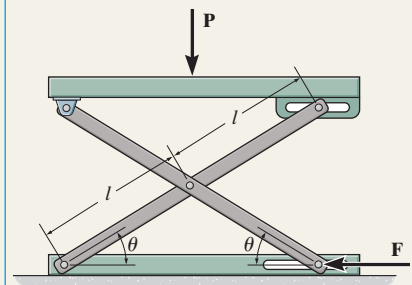
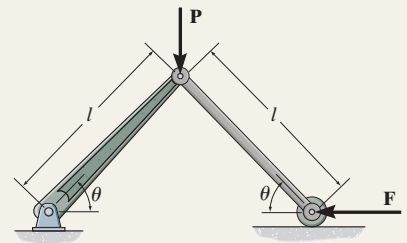
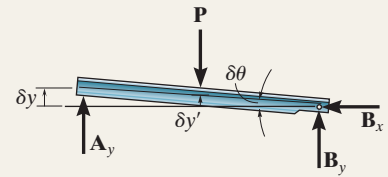
The coordinates are related to the independent coordinate θ and then these expressions are differentiated in order to relate the *virtual* coordinate displacements to the virtual displacement $\delta\theta$.

Finally, the equation of virtual work is written for the mechanism in terms of the common virtual displacement $\delta\theta$, and then it is set equal to zero. By factoring $\delta\theta$ out of the equation, it is then possible to determine either the unknown force or couple moment, or the equilibrium position θ .

$\delta y, \delta y'$ – virtual displacements

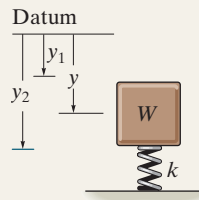
$\delta\theta$ – virtual rotation

$$\delta U = 0$$



Potential-Energy Criterion for Equilibrium

When a system is subjected only to conservative forces, such as weight and spring forces, then the equilibrium configuration can be determined using the *potential-energy function* V for the system.



(a)

$$V = V_g + V_e = -W_y + \frac{1}{2} k y^2$$

The potential-energy function is established by expressing the weight and spring potential energy for the system in terms of the independent coordinate q .

Once the potential-energy function is formulated, its first derivative is set equal to zero. The solution yields the equilibrium position q_{eq} for the system.

$$\frac{dV}{dq} = 0$$

The stability of the system can be investigated by taking the second derivative of V .

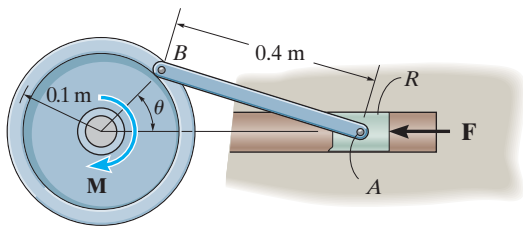
$$\frac{dV}{dq} = 0, \quad \frac{d^2V}{dq^2} > 0 \quad \text{stable equilibrium}$$

$$\frac{dV}{dq} = 0, \quad \frac{d^2V}{dq^2} < 0 \quad \text{unstable equilibrium}$$

$$\frac{dV}{dq} = \frac{d^2V}{dq^2} = \frac{d^3V}{dq^3} = \dots = 0 \quad \text{neutral equilibrium}$$

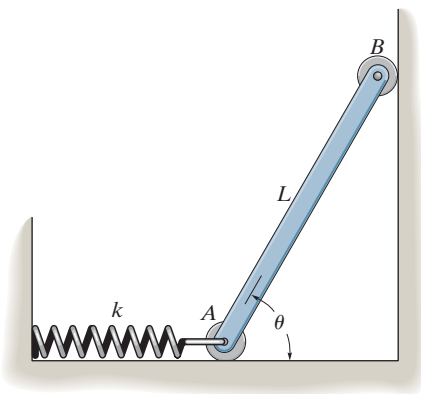
REVIEW PROBLEMS

11-50. The punch press consists of the ram R , connecting rod AB , and a flywheel. If a torque of $M = 50 \text{ N}\cdot\text{m}$ is applied to the flywheel, determine the force F applied at the ram to hold the rod in the position $\theta = 60^\circ$.



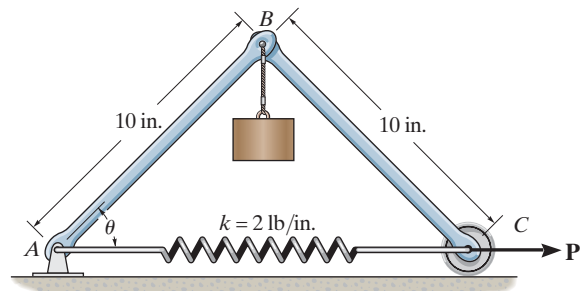
Prob. 11-50

11-51. The uniform rod has a weight W . Determine the angle θ for equilibrium. The spring is uncompressed when $\theta = 90^\circ$. Neglect the weight of the rollers.



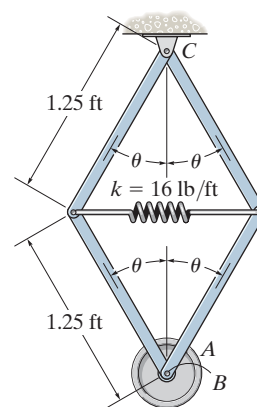
Prob. 11-51

***11-52.** The uniform links AB and BC each weigh 2 lb and the cylinder weighs 20 lb. Determine the horizontal force P required to hold the mechanism at $\theta = 45^\circ$. The spring has an unstretched length of 6 in.



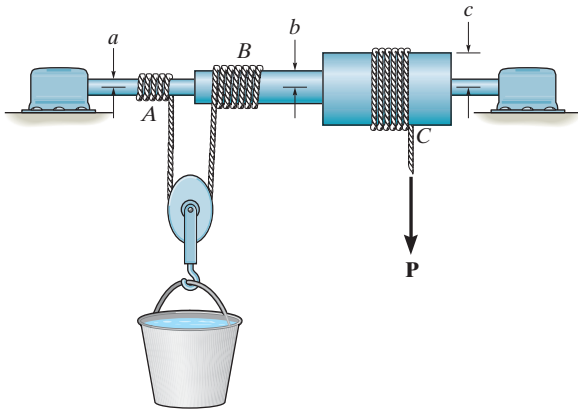
Prob. 11-52

•11-53. The spring attached to the mechanism has an unstretched length when $\theta = 90^\circ$. Determine the position θ for equilibrium and investigate the stability of the mechanism at this position. Disk A is pin connected to the frame at B and has a weight of 20 lb.



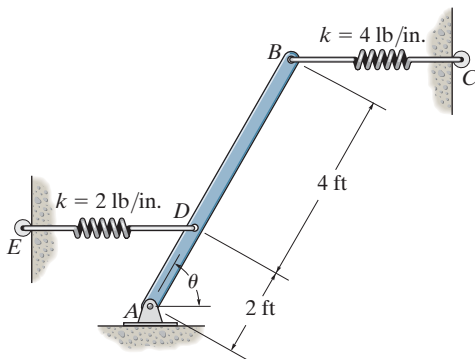
Prob. 11-53

11-54. Determine the force P that must be applied to the cord wrapped around the drum at C which is necessary to lift the bucket having a mass m . Note that as the bucket is lifted, the pulley rolls on a cord that winds on shaft B and unwinds from shaft A .



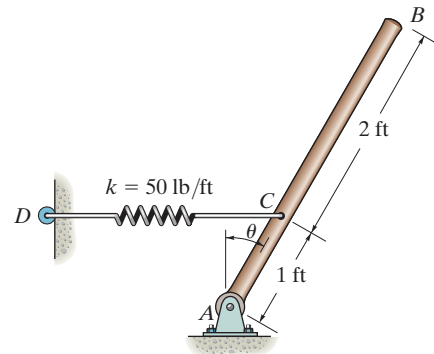
Prob. 11-54

11-55. The uniform bar AB weighs 100 lb. If both springs DE and BC are unstretched when $\theta = 90^\circ$, determine the angle θ for equilibrium using the principle of potential energy. Investigate the stability at the equilibrium position. Both springs always remain in the horizontal position due to the roller guides at C and E .



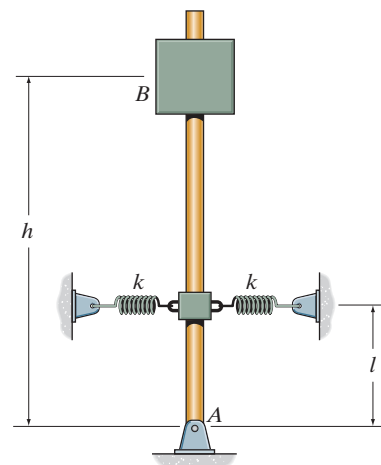
Prob. 11-55

***11-56.** The uniform rod AB has a weight of 10 lb. If the spring DC is unstretched when $\theta = 0^\circ$, determine the angle θ for equilibrium using the principle of virtual work. The spring always remains in the horizontal position due to the roller guide at D .



Probs. 11-56/57

11-58. Determine the height h of block B so that the rod is in neutral equilibrium. The springs are unstretched when the rod is in the vertical position. The block has a weight W .



Prob. 11-58

Mathematical Review and Expressions

Geometry and Trigonometry Review

The angles θ in Fig. A-1 are equal between the transverse and two parallel lines.

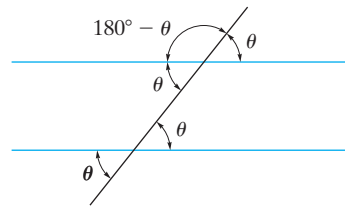


Fig. A-1

For a line and its normal, the angles θ in Fig. A-2 are equal.

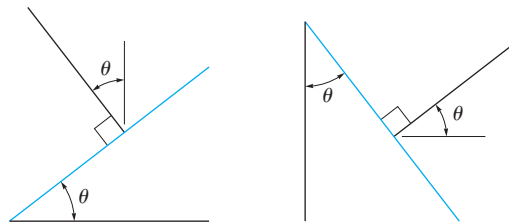


Fig. A-2

For the circle in Fig. A-3 $s = \theta r$, so that when $\theta = 360^\circ = 2\pi$ rad then the circumference is $s = 2\pi r$. Also, since $180^\circ = \pi$ rad, then θ (rad) = $(\pi/180^\circ)\theta^\circ$. The area of the circle is $A = \pi r^2$.

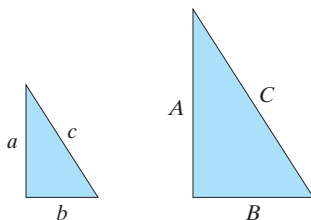


Fig. A-4

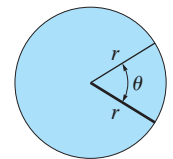


Fig. A-3

The sides of a similar triangle can be obtained by proportion as in

Fig. A-4, where $\frac{a}{A} = \frac{b}{B} = \frac{c}{C}$.

For the right triangle in Fig. A-5, the Pythagorean theorem is

$$h = \sqrt{(o)^2 + (a)^2}$$

The trigonometric functions are

$$\sin \theta = \frac{o}{h}$$

$$\cos \theta = \frac{a}{h}$$

$$\tan \theta = \frac{o}{a}$$

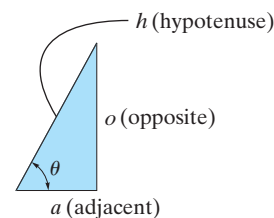


Fig. A-5

This is easily remembered as “soh, cah, toa”, i.e., the sine is the opposite over the hypotenuse, etc. The other trigonometric functions follow from this.

$$\csc \theta = \frac{1}{\sin \theta} = \frac{h}{o}$$

$$\sec \theta = \frac{1}{\cos \theta} = \frac{h}{a}$$

$$\cot \theta = \frac{1}{\tan \theta} = \frac{a}{o}$$

Trigonometric Identities

$$\sin^2 \theta + \cos^2 \theta = 1$$

$$\sin(\theta \pm \phi) = \sin \theta \cos \phi \pm \cos \theta \sin \phi$$

$$\sin 2\theta = 2 \sin \theta \cos \theta$$

$$\cos(\theta \pm \phi) = \cos \theta \cos \phi \mp \sin \theta \sin \phi$$

$$\cos 2\theta = \cos^2 \theta - \sin^2 \theta$$

$$\cos \theta = \pm \sqrt{\frac{1 + \cos 2\theta}{2}}, \quad \sin \theta = \pm \sqrt{\frac{1 - \cos 2\theta}{2}}$$

$$\tan \theta = \frac{\sin \theta}{\cos \theta}$$

$$1 + \tan^2 \theta = \sec^2 \theta \quad 1 + \cot^2 \theta = \csc^2 \theta$$

Quadratic Formula

$$\text{If } ax^2 + bx + c = 0, \text{ then } x = \frac{-b \pm \sqrt{b^2 - 4ac}}{2a}$$

Hyperbolic Functions

$$\sinh x = \frac{e^x - e^{-x}}{2},$$

$$\cosh x = \frac{e^x + e^{-x}}{2},$$

$$\tanh x = \frac{\sinh x}{\cosh x}$$

Power-Series Expansions

$$\sin x = x - \frac{x^3}{3!} + \cdots, \quad \cos x = 1 - \frac{x^2}{2!} + \cdots$$

$$\sinh x = x + \frac{x^3}{3!} + \cdots, \quad \cosh x = 1 + \frac{x^2}{2!} + \cdots$$

Derivatives

$$\frac{d}{dx}(u^n) = nu^{n-1} \frac{du}{dx} \quad \frac{d}{dx}(\sin u) = \cos u \frac{du}{dx}$$

$$\frac{d}{dx}(uv) = u \frac{dv}{dx} + v \frac{du}{dx} \quad \frac{d}{dx}(\cos u) = -\sin u \frac{du}{dx}$$

$$\frac{d}{dx}\left(\frac{u}{v}\right) = \frac{v \frac{du}{dx} - u \frac{dv}{dx}}{v^2} \quad \frac{d}{dx}(\tan u) = \sec^2 u \frac{du}{dx}$$

$$\frac{d}{dx}(\cot u) = -\csc^2 u \frac{du}{dx} \quad \frac{d}{dx}(\sinh u) = \cosh u \frac{du}{dx}$$

$$\frac{d}{dx}(\sec u) = \tan u \sec u \frac{du}{dx} \quad \frac{d}{dx}(\cosh u) = \sinh u \frac{du}{dx}$$

$$\frac{d}{dx}(\csc u) = -\csc u \cot u \frac{du}{dx}$$

Integrals

$$\int x^n dx = \frac{x^{n+1}}{n+1} + C, n \neq -1$$

$$\int \frac{dx}{a+bx} = \frac{1}{b} \ln(a+bx) + C$$

$$\int \frac{dx}{a+bx^2} = \frac{1}{2\sqrt{-ba}} \ln \left[\frac{a+x\sqrt{-ab}}{a-x\sqrt{-ab}} \right] + C, \\ ab < 0$$

$$\int \frac{x dx}{a+bx^2} = \frac{1}{2b} \ln(bx^2+a) + C$$

$$\int \frac{x^2 dx}{a+bx^2} = \frac{x}{b} - \frac{a}{b\sqrt{ab}} \tan^{-1} \frac{x\sqrt{ab}}{a} + C, ab > 0$$

$$\int \sqrt{a+bx} dx = \frac{2}{3b} \sqrt{(a+bx)^3} + C$$

$$\int x\sqrt{a+bx} dx = \frac{-2(2a-3bx)\sqrt{(a+bx)^3}}{15b^2} + C$$

$$\int x^2\sqrt{a+bx} dx = \frac{2(8a^2-12abx+15b^2x^2)\sqrt{(a+bx)^3}}{105b^3} + C$$

$$\int \sqrt{a^2-x^2} dx = \frac{1}{2} \left[x\sqrt{a^2-x^2} + a^2 \sin^{-1} \frac{x}{a} \right] + C, \\ a > 0$$

$$\int x\sqrt{a^2-x^2} dx = -\frac{1}{3} \sqrt{(a^2-x^2)^3} + C$$

$$\int x^2\sqrt{a^2-x^2} dx = -\frac{x}{4} \sqrt{(a^2-x^2)^3} \\ + \frac{a^2}{8} \left(x\sqrt{a^2-x^2} + a^2 \sin^{-1} \frac{x}{a} \right) + C, a > 0$$

$$\int \sqrt{x^2 \pm a^2} dx = \frac{1}{2} \left[x\sqrt{x^2 \pm a^2} \pm a^2 \ln(x + \sqrt{x^2 \pm a^2}) \right] + C$$

$$\int x\sqrt{x^2 \pm a^2} dx = \frac{1}{3} \sqrt{(x^2 \pm a^2)^3} + C$$

$$\int x^2\sqrt{x^2 \pm a^2} dx = \frac{x}{4} \sqrt{(x^2 \pm a^2)^3} \\ \mp \frac{a^2}{8} x\sqrt{x^2 \pm a^2} - \frac{a^4}{8} \ln(x + \sqrt{x^2 \pm a^2}) + C$$

$$\int \frac{dx}{\sqrt{a+bx}} = \frac{2\sqrt{a+bx}}{b} + C$$

$$\int \frac{x dx}{\sqrt{x^2 \pm a^2}} = \sqrt{x^2 \pm a^2} + C$$

$$\int \frac{dx}{\sqrt{a+bx+cx^2}} = \frac{1}{\sqrt{c}} \ln \left[\sqrt{a+bx+cx^2} + \right. \\ \left. x\sqrt{c} + \frac{b}{2\sqrt{c}} \right] + C, c > 0 \\ = \frac{1}{\sqrt{-c}} \sin^{-1} \left(\frac{-2cx-b}{\sqrt{b^2-4ac}} \right) + C, c < 0$$

$$\int \sin x dx = -\cos x + C$$

$$\int \cos x dx = \sin x + C$$

$$\int x \cos(ax) dx = \frac{1}{a^2} \cos(ax) + \frac{x}{a} \sin(ax) + C$$

$$\int x^2 \cos(ax) dx = \frac{2x}{a^2} \cos(ax) + \frac{a^2x^2-2}{a^3} \sin(ax) + C$$

$$\int e^{ax} dx = \frac{1}{a} e^{ax} + C$$

$$\int xe^{ax} dx = \frac{e^{ax}}{a^2} (ax-1) + C$$

$$\int \sinh x dx = \cosh x + C$$

$$\int \cosh x dx = \sinh x + C$$

This page intentionally left blank

Fundamental Problems Partial Solutions And Answers

Chapter 2

F2-1.

$$F_R = \sqrt{(2 \text{ kN})^2 + (6 \text{ kN})^2 - 2(2 \text{ kN})(6 \text{ kN}) \cos 105^\circ}$$

$$= 6.798 \text{ kN} = 6.80 \text{ kN} \quad \text{Ans.}$$

$$\frac{\sin \phi}{6 \text{ kN}} = \frac{\sin 105^\circ}{6.798 \text{ kN}}, \quad \phi = 58.49^\circ$$

$$\theta = 45^\circ + \phi = 45^\circ + 58.49^\circ = 103^\circ \quad \text{Ans.}$$

F2-2.

$$F_R = \sqrt{200^2 + 500^2 - 2(200)(500) \cos 140^\circ}$$

$$= 666 \text{ N} \quad \text{Ans.}$$

F2-3.

$$F_R = \sqrt{600^2 + 800^2 - 2(600)(800) \cos 60^\circ}$$

$$= 721.11 \text{ N} = 721 \text{ N} \quad \text{Ans.}$$

$$\frac{\sin \alpha}{800} = \frac{\sin 60^\circ}{721.11}; \quad \alpha = 73.90^\circ$$

$$\phi = \alpha - 30^\circ = 73.90^\circ - 30^\circ = 43.9^\circ \quad \text{Ans.}$$

F2-4.

$$\frac{F_u}{\sin 45^\circ} = \frac{30}{\sin 105^\circ}; \quad F_u = 22.0 \text{ lb} \quad \text{Ans.}$$

$$\frac{F_v}{\sin 30^\circ} = \frac{30}{\sin 105^\circ}; \quad F_v = 15.5 \text{ lb} \quad \text{Ans.}$$

F2-5.

$$\frac{F_{AB}}{\sin 105^\circ} = \frac{450}{\sin 30^\circ}$$

$$F_{AB} = 869 \text{ lb} \quad \text{Ans.}$$

$$\frac{F_{AC}}{\sin 45^\circ} = \frac{450}{\sin 30^\circ}$$

$$F_{AC} = 636 \text{ lb} \quad \text{Ans.}$$

F2-6.

$$\frac{F}{\sin 30^\circ} = \frac{6}{\sin 105^\circ} \quad F = 3.11 \text{ kN} \quad \text{Ans.}$$

$$\frac{F_v}{\sin 45^\circ} = \frac{6}{\sin 105^\circ} \quad F_v = 4.39 \text{ kN} \quad \text{Ans.}$$

F2-7.

$$(F_1)_x = 0 \quad (F_1)_y = 300 \text{ N} \quad \text{Ans.}$$

$$(F_2)_x = -(450 \text{ N}) \cos 45^\circ = -318 \text{ N} \quad \text{Ans.}$$

$$(F_2)_y = (450 \text{ N}) \sin 45^\circ = 318 \text{ N} \quad \text{Ans.}$$

$$(F_3)_x = \left(\frac{3}{5}\right)600 \text{ N} = 360 \text{ N} \quad \text{Ans.}$$

$$(F_3)_y = \left(\frac{4}{5}\right)600 \text{ N} = 480 \text{ N} \quad \text{Ans.}$$

F2-8.

$$F_{Rx} = 300 + 400 \cos 30^\circ - 250\left(\frac{4}{5}\right) = 446.4 \text{ N}$$

$$F_{Ry} = 400 \sin 30^\circ + 250\left(\frac{3}{5}\right) = 350 \text{ N}$$

$$F_R = \sqrt{(446.4)^2 + 350^2} = 567 \text{ N} \quad \text{Ans.}$$

$$\theta = \tan^{-1} \frac{350}{446.4} = 38.1^\circ \swarrow \quad \text{Ans.}$$

F2-9.

$$\rightarrow (F_R)_x = \Sigma F_x;$$

$$(F_R)_x = -(700 \text{ lb}) \cos 30^\circ + 0 + \left(\frac{3}{5}\right)(600 \text{ lb})$$

$$= -246.22 \text{ lb}$$

$$+\uparrow (F_R)_y = \Sigma F_y;$$

$$(F_R)_y = -(700 \text{ lb}) \sin 30^\circ - 400 \text{ lb} - \left(\frac{4}{5}\right)(600 \text{ lb})$$

$$= -1230 \text{ lb}$$

$$F_R = \sqrt{(246.22 \text{ lb})^2 + (1230 \text{ lb})^2} = 1254 \text{ lb} \quad \text{Ans.}$$

$$\phi = \tan^{-1} \left(\frac{1230 \text{ lb}}{246.22 \text{ lb}}\right) = 78.68^\circ$$

$$\theta = 180^\circ + \phi = 180^\circ + 78.68^\circ = 259^\circ \quad \text{Ans.}$$

F2-10.

$$\rightarrow (F_R)_x = \Sigma F_x;$$

$$750 \text{ N} = F \cos \theta + \left(\frac{5}{13}\right)(325 \text{ N}) + (600 \text{ N}) \cos 45^\circ$$

$$+\uparrow (F_R)_y = \Sigma F_y;$$

$$0 = F \sin \theta + \left(\frac{12}{13}\right)(325 \text{ N}) - (600 \text{ N}) \sin 45^\circ$$

$$\tan \theta = 0.6190 \quad \theta = 31.76^\circ = 31.8^\circ \swarrow \quad \text{Ans.}$$

$$F = 236 \text{ N} \quad \text{Ans.}$$

F2-11.

$$\rightarrow (F_R)_x = \Sigma F_x;$$

$$(80 \text{ lb}) \cos 45^\circ = F \cos \theta + 50 \text{ lb} - \left(\frac{3}{5}\right)90 \text{ lb}$$

$$+\uparrow (F_R)_y = \Sigma F_y;$$

$$-(80 \text{ lb}) \sin 45^\circ = F \sin \theta - \left(\frac{4}{5}\right)90 \text{ lb}$$

$$\tan \theta = 0.2547 \quad \theta = 14.29^\circ = 14.3^\circ \swarrow \quad \text{Ans.}$$

$$F = 62.5 \text{ lb} \quad \text{Ans.}$$

F2-12.

$$(F_R)_x = 15\left(\frac{4}{5}\right) + 0 + 15\left(\frac{4}{5}\right) = 24 \text{ kN} \rightarrow$$

$$(F_R)_y = 15\left(\frac{3}{5}\right) + 20 - 15\left(\frac{3}{5}\right) = 20 \text{ kN} \uparrow$$

$$F_R = 31.2 \text{ kN} \quad \text{Ans.}$$

$$\theta = 39.8^\circ \quad \text{Ans.}$$

F2-13.

$$F_x = 75 \cos 30^\circ \sin 45^\circ = 45.93 \text{ lb}$$

$$F_y = 75 \cos 30^\circ \cos 45^\circ = 45.93 \text{ lb}$$

$$F_z = -75 \sin 30^\circ = -37.5 \text{ lb}$$

$$\alpha = \cos^{-1} \left(\frac{45.93}{75}\right) = 52.2^\circ \quad \text{Ans.}$$

$$\beta = \cos^{-1} \left(\frac{45.93}{75}\right) = 52.2^\circ \quad \text{Ans.}$$

$$\gamma = \cos^{-1} \left(\frac{-37.5}{75}\right) = 120^\circ \quad \text{Ans.}$$

$$\mathbf{F2-14.} \quad \cos \beta = \sqrt{1 - \cos^2 120^\circ - \cos^2 60^\circ} = \pm 0.7071$$

Require $\beta = 135^\circ$.

$$\mathbf{F} = F\mathbf{u}_F = (500 \text{ N})(-0.5\mathbf{i} - 0.7071\mathbf{j} + 0.5\mathbf{k})$$

$$= \{-250\mathbf{i} - 354\mathbf{j} + 250\mathbf{k}\} \text{ N} \quad \text{Ans.}$$

$$\mathbf{F2-15.} \quad \cos^2 \alpha + \cos^2 135^\circ + \cos^2 120^\circ = 1$$

$$\alpha = 60^\circ$$

$$\mathbf{F} = F\mathbf{u}_F = (500 \text{ N})(0.5\mathbf{i} - 0.7071\mathbf{j} - 0.5\mathbf{k})$$

$$= \{250\mathbf{i} - 354\mathbf{j} - 250\mathbf{k}\} \text{ N} \quad \text{Ans.}$$

$$\mathbf{F2-16.} \quad F_z = (50 \text{ lb}) \sin 45^\circ = 35.36 \text{ lb}$$

$$F' = (50 \text{ lb}) \cos 45^\circ = 35.36 \text{ lb}$$

$$F_x = \left(\frac{3}{5}\right)(35.36 \text{ lb}) = 21.21 \text{ lb}$$

$$F_y = \left(\frac{4}{5}\right)(35.36 \text{ lb}) = 28.28 \text{ lb}$$

$$\mathbf{F} = \{-21.2\mathbf{i} + 28.3\mathbf{j} + 35.4\mathbf{k}\} \text{ lb} \quad \text{Ans.}$$

$$\mathbf{F2-17.} \quad F_z = (750 \text{ N}) \sin 45^\circ = 530.33 \text{ N}$$

$$F' = (750 \text{ N}) \cos 45^\circ = 530.33 \text{ N}$$

$$F_x = (530.33 \text{ N}) \cos 60^\circ = 265.1 \text{ N}$$

$$F_y = (530.33 \text{ N}) \sin 60^\circ = 459.3 \text{ N}$$

$$\mathbf{F}_2 = \{265\mathbf{i} - 459\mathbf{j} + 530\mathbf{k}\} \text{ N} \quad \text{Ans.}$$

$$\mathbf{F2-18.} \quad \mathbf{F}_1 = \left(\frac{4}{5}\right)(500 \text{ lb})\mathbf{j} + \left(\frac{3}{5}\right)(500 \text{ lb})\mathbf{k}$$

$$= \{400\mathbf{j} + 300\mathbf{k}\} \text{ lb}$$

$$\mathbf{F}_2 = [(800 \text{ lb}) \cos 45^\circ] \cos 30^\circ \mathbf{i}$$

$$+ [(800 \text{ lb}) \cos 45^\circ] \sin 30^\circ \mathbf{j}$$

$$+ (800 \text{ lb}) \sin 45^\circ (-\mathbf{k})$$

$$= \{489.90\mathbf{i} + 282.84\mathbf{j} - 565.69\mathbf{k}\} \text{ lb}$$

$$\mathbf{F}_R = \mathbf{F}_1 + \mathbf{F}_2 = \{490\mathbf{i} + 683\mathbf{j} - 266\mathbf{k}\} \text{ lb} \quad \text{Ans.}$$

$$\mathbf{F2-19.} \quad \mathbf{r}_{AB} = \{-6\mathbf{i} + 6\mathbf{j} + 3\mathbf{k}\} \text{ m} \quad \text{Ans.}$$

$$r_{AB} = \sqrt{(-6 \text{ m})^2 + (6 \text{ m})^2 + (3 \text{ m})^2} = 9 \text{ m} \quad \text{Ans.}$$

$$\alpha = 132^\circ, \quad \beta = 48.2^\circ, \quad \gamma = 70.5^\circ \quad \text{Ans.}$$

$$\mathbf{F2-20.} \quad \mathbf{r}_{AB} = \{-4\mathbf{i} + 2\mathbf{j} + 4\mathbf{k}\} \text{ ft} \quad \text{Ans.}$$

$$r_{AB} = \sqrt{(-4 \text{ ft})^2 + (2 \text{ ft})^2 + (4 \text{ ft})^2} = 6 \text{ ft} \quad \text{Ans.}$$

$$\alpha = \cos^{-1}\left(\frac{-4 \text{ ft}}{6 \text{ ft}}\right) = 131.8^\circ$$

$$\theta = 180^\circ - 131.8^\circ = 48.2^\circ \quad \text{Ans.}$$

$$\mathbf{F2-21.} \quad \mathbf{r}_B = \{2\mathbf{i} + 3\mathbf{j} - 6\mathbf{k}\} \text{ m}$$

$$\mathbf{F}_B = F_B \mathbf{u}_B$$

$$= (630 \text{ N})\left(\frac{2}{7}\mathbf{i} + \frac{3}{7}\mathbf{j} - \frac{6}{7}\mathbf{k}\right)$$

$$= \{180\mathbf{i} + 270\mathbf{j} - 540\mathbf{k}\} \text{ N} \quad \text{Ans.}$$

$$\mathbf{F2-22.} \quad \mathbf{F} = F\mathbf{u}_{AB} = 900 \text{ N}\left(-\frac{4}{9}\mathbf{i} + \frac{7}{9}\mathbf{j} - \frac{4}{9}\mathbf{k}\right)$$

$$= \{-400\mathbf{i} + 700\mathbf{j} - 400\mathbf{k}\} \text{ N}$$

$$\mathbf{F2-23.} \quad \mathbf{F}_B = F_B \mathbf{u}_B$$

$$= (840 \text{ N})\left(\frac{3}{7}\mathbf{i} - \frac{2}{7}\mathbf{j} - \frac{6}{7}\mathbf{k}\right)$$

$$= \{360\mathbf{i} - 240\mathbf{j} - 720\mathbf{k}\} \text{ N}$$

$$\mathbf{F}_C = F_C \mathbf{u}_C$$

$$= (420 \text{ N})\left(\frac{2}{7}\mathbf{i} + \frac{3}{7}\mathbf{j} - \frac{6}{7}\mathbf{k}\right)$$

$$= \{120\mathbf{i} + 180\mathbf{j} - 360\mathbf{k}\} \text{ N}$$

$$F_R = \sqrt{(480 \text{ N})^2 + (-60 \text{ N})^2 + (-1080 \text{ N})^2}$$

$$= 1.18 \text{ kN} \quad \text{Ans.}$$

$$\mathbf{F2-24.} \quad \mathbf{F}_B = F_B \mathbf{u}_B$$

$$= (600 \text{ lb})\left(-\frac{1}{3}\mathbf{i} + \frac{2}{3}\mathbf{j} - \frac{2}{3}\mathbf{k}\right)$$

$$= \{-200\mathbf{i} + 400\mathbf{j} - 400\mathbf{k}\} \text{ lb}$$

$$\mathbf{F}_C = F_C \mathbf{u}_C$$

$$= (490 \text{ lb})\left(-\frac{6}{7}\mathbf{i} + \frac{3}{7}\mathbf{j} - \frac{2}{7}\mathbf{k}\right)$$

$$= \{-420\mathbf{i} + 210\mathbf{j} - 140\mathbf{k}\} \text{ lb}$$

$$\mathbf{F}_R = \mathbf{F}_B + \mathbf{F}_C = \{-620\mathbf{i} + 610\mathbf{j} - 540\mathbf{k}\} \text{ lb} \quad \text{Ans.}$$

$$\mathbf{F2-25.} \quad \mathbf{u}_{AO} = -\frac{1}{3}\mathbf{i} + \frac{2}{3}\mathbf{j} - \frac{2}{3}\mathbf{k}$$

$$\mathbf{u}_F = -0.5345\mathbf{i} + 0.8018\mathbf{j} + 0.2673\mathbf{k}$$

$$\theta = \cos^{-1}(\mathbf{u}_{AO} \cdot \mathbf{u}_F) = 57.7^\circ \quad \text{Ans.}$$

$$\mathbf{F2-26.} \quad \mathbf{u}_{AB} = -\frac{3}{5}\mathbf{j} + \frac{4}{5}\mathbf{k}$$

$$\mathbf{u}_F = \frac{4}{5}\mathbf{i} - \frac{3}{5}\mathbf{j}$$

$$\theta = \cos^{-1}(\mathbf{u}_{AB} \cdot \mathbf{u}_F) = 68.9^\circ \quad \text{Ans.}$$

$$\mathbf{F2-27.} \quad \mathbf{u}_{OA} = \frac{12}{13}\mathbf{i} + \frac{5}{13}\mathbf{j}$$

$$\mathbf{u}_{OA} \cdot \mathbf{j} = u_{OA}(1) \cos \theta$$

$$\cos \theta = \frac{5}{13}; \quad \theta = 67.4^\circ \quad \text{Ans.}$$

$$\mathbf{F2-28.} \quad \mathbf{u}_{OA} = \frac{12}{13}\mathbf{i} + \frac{5}{13}\mathbf{j}$$

$$\mathbf{F} = Fu_F = [650\mathbf{j}] \text{ N}$$

$$F_{OA} = \mathbf{F} \cdot \mathbf{u}_{OA} = 250 \text{ N}$$

$$\mathbf{F}_{OA} = F_{OA} \mathbf{u}_{OA} = \{231\mathbf{i} + 96.2\mathbf{j}\} \text{ N}$$

F2-29.
$$\mathbf{F} = (400 \text{ N}) \frac{\{4 \mathbf{i} + 1 \mathbf{j} - 6 \mathbf{k}\} \text{ m}}{\sqrt{(4 \text{ m})^2 + (1 \text{ m})^2 + (-6 \text{ m})^2}}$$

$$= \{219.78 \mathbf{i} + 54.94 \mathbf{j} - 329.67 \mathbf{k}\} \text{ N}$$

$$\mathbf{u}_{AO} = \frac{\{-4 \mathbf{j} - 6 \mathbf{k}\} \text{ m}}{\sqrt{(-4 \text{ m})^2 + (-6 \text{ m})^2}}$$

$$= -0.5547 \mathbf{j} - 0.8321 \mathbf{k}$$

$$(F_{AO})_{\text{proj}} = \mathbf{F} \cdot \mathbf{u}_{AO} = 244 \text{ N} \quad \text{Ans.}$$

F2-30.
$$\mathbf{F} = [(-600 \text{ lb}) \cos 60^\circ] \sin 30^\circ \mathbf{i}$$

$$+ [(600 \text{ lb}) \cos 60^\circ] \cos 30^\circ \mathbf{j}$$

$$+ [(600 \text{ lb}) \sin 60^\circ] \mathbf{k}$$

$$= \{-150 \mathbf{i} + 259.81 \mathbf{j} + 519.62 \mathbf{k}\} \text{ lb}$$

$$\mathbf{u}_A = -\frac{2}{3} \mathbf{i} + \frac{2}{3} \mathbf{j} + \frac{1}{3} \mathbf{k}$$

$$(F_A)_{\text{proj}} = \mathbf{F} \cdot \mathbf{u}_A = 446.41 \text{ lb} = 446 \text{ lb} \quad \text{Ans.}$$

$$(F_A)_{\text{per}} = \sqrt{(600 \text{ lb})^2 - (446.41 \text{ lb})^2}$$

$$= 401 \text{ lb} \quad \text{Ans.}$$

Chapter 3

F3-1.
$$\rightarrow \Sigma F_x = 0; \frac{4}{5} F_{AC} - F_{AB} \cos 30^\circ = 0$$

$$+ \uparrow \Sigma F_y = 0; \frac{3}{5} F_{AC} + F_{AB} \sin 30^\circ - 550 = 0$$

$$F_{AB} = 478 \text{ lb} \quad \text{Ans.}$$

$$F_{AC} = 518 \text{ lb} \quad \text{Ans.}$$

F3-2.
$$+ \uparrow \Sigma F_y = 0; -2(1500) \sin \theta + 700 = 0$$

$$\theta = 13.5^\circ$$

$$L_{ABC} = 2 \left(\frac{5 \text{ ft}}{\cos 13.5^\circ} \right) = 10.3 \text{ ft} \quad \text{Ans.}$$

F3-3.
$$\rightarrow \Sigma F_x = 0; T \cos \theta - T \cos \phi = 0$$

$$\phi = \theta$$

$$+ \uparrow \Sigma F_y = 0; 2T \sin \theta - 49.05 \text{ N} = 0$$

$$\theta = \tan^{-1} \left(\frac{0.15 \text{ m}}{0.2 \text{ m}} \right) = 36.87^\circ$$

$$T = 40.9 \text{ N} \quad \text{Ans.}$$

F3-4.
$$+ \nearrow \Sigma F_x = 0; \frac{4}{5} (F_{sp}) - 5(9.81) \sin 45^\circ = 0$$

$$F_{sp} = 43.35 \text{ N}$$

$$F_{sp} = k(l - l_0); 43.35 = 200(0.5 - l_0)$$

$$l_0 = 0.283 \text{ m} \quad \text{Ans.}$$

F3-5.
$$+ \uparrow \Sigma F_y = 0; (392.4 \text{ N}) \sin 30^\circ - m_A(9.81) = 0$$

$$m_A = 20 \text{ kg} \quad \text{Ans.}$$

F3-6.
$$+ \uparrow \Sigma F_y = 0; T_{AB} \sin 15^\circ - 10(9.81) \text{ N} = 0$$

$$T_{AB} = 379.03 \text{ N} = 379 \text{ N} \quad \text{Ans.}$$

$$\rightarrow \Sigma F_x = 0; T_{BC} - 379.03 \text{ N} \cos 15^\circ = 0$$

$$T_{BC} = 366.11 \text{ N} = 366 \text{ N} \quad \text{Ans.}$$

$$\rightarrow \Sigma F_x = 0; T_{CD} \cos \theta - 366.11 \text{ N} = 0$$

$$+ \uparrow \Sigma F_y = 0; T_{CD} \sin \theta - 15(9.81) \text{ N} = 0$$

$$T_{CD} = 395 \text{ N} \quad \text{Ans.}$$

$$\theta = 21.9^\circ \quad \text{Ans.}$$

F3-7.
$$\Sigma F_x = 0; \left[\left(\frac{3}{5} \right) F_3 \right] \left(\frac{3}{5} \right) + 600 \text{ N} - F_2 = 0 \quad (1)$$

$$\Sigma F_y = 0; \left(\frac{4}{5} \right) F_1 - \left[\left(\frac{3}{5} \right) F_3 \right] \left(\frac{4}{5} \right) = 0 \quad (2)$$

$$\Sigma F_z = 0; \left(\frac{4}{5} \right) F_3 + \left(\frac{3}{5} \right) F_1 - 900 \text{ N} = 0 \quad (3)$$

$$F_3 = 776 \text{ N} \quad \text{Ans.}$$

$$F_1 = 466 \text{ N} \quad \text{Ans.}$$

$$F_2 = 879 \text{ N} \quad \text{Ans.}$$

F3-8.
$$\Sigma F_z = 0; F_{AD} \left(\frac{4}{5} \right) - 900 = 0$$

$$F_{AD} = 1125 \text{ N} = 1.125 \text{ kN} \quad \text{Ans.}$$

$$\Sigma F_y = 0; F_{AC} \left(\frac{4}{5} \right) - 1125 \left(\frac{3}{5} \right) = 0$$

$$F_{AC} = 843.75 \text{ N} = 844 \text{ N} \quad \text{Ans.}$$

$$\Sigma F_x = 0; F_{AB} - 843.75 \left(\frac{3}{5} \right) = 0$$

$$F_{AB} = 506.25 \text{ N} = 506 \text{ N} \quad \text{Ans.}$$

F3-9.
$$\mathbf{F}_{AD} = F_{AD} \left(\frac{\mathbf{r}_{AD}}{r_{AD}} \right) = \frac{1}{3} F_{AD} \mathbf{i} - \frac{2}{3} F_{AD} \mathbf{j} + \frac{2}{3} F_{AD} \mathbf{k}$$

$$\Sigma F_z = 0; \frac{2}{3} F_{AD} - 600 = 0$$

$$F_{AD} = 900 \text{ N} \quad \text{Ans.}$$

$$\Sigma F_y = 0; F_{AB} \cos 30^\circ - \frac{2}{3} (900) = 0$$

$$F_{AB} = 692.82 \text{ N} = 693 \text{ N} \quad \text{Ans.}$$

$$\Sigma F_x = 0; \frac{1}{3} (900) + 692.82 \sin 30^\circ - F_{AC} = 0$$

$$F_{AC} = 646.41 \text{ N} = 646 \text{ N} \quad \text{Ans.}$$

F3-10.
$$\mathbf{F}_{AC} = F_{AC} \{-\cos 60^\circ \sin 30^\circ \mathbf{i}$$

$$+ \cos 60^\circ \cos 30^\circ \mathbf{j} + \sin 60^\circ \mathbf{k}\}$$

$$= -0.25 F_{AC} \mathbf{i} + 0.4330 F_{AC} \mathbf{j} + 0.8660 F_{AC} \mathbf{k}$$

$$\mathbf{F}_{AD} = F_{AD} \{\cos 120^\circ \mathbf{i} + \cos 120^\circ \mathbf{j} + \cos 45^\circ \mathbf{k}\}$$

$$= -0.5 F_{AD} \mathbf{i} - 0.5 F_{AD} \mathbf{j} + 0.7071 F_{AD} \mathbf{k}$$

$$\Sigma F_y = 0; 0.4330 F_{AC} - 0.5 F_{AD} = 0$$

$$\Sigma F_z = 0; 0.8660 F_{AC} + 0.7071 F_{AD} - 300 = 0$$

$$F_{AD} = 175.74 \text{ lb} = 176 \text{ lb} \quad \text{Ans.}$$

$$F_{AC} = 202.92 \text{ lb} = 203 \text{ lb} \quad \text{Ans.}$$

$$\Sigma F_x = 0; F_{AB} - 0.25(202.92) - 0.5(175.74) = 0$$

$$F_{AB} = 138.60 \text{ lb} = 139 \text{ lb} \quad \text{Ans.}$$

$$\begin{aligned} \mathbf{F3-11.} \quad \mathbf{F}_B &= F_B \begin{pmatrix} \mathbf{r}_{AB} \\ r_{AB} \end{pmatrix} \\ &= F_B \left[\frac{\{-6\mathbf{i} + 3\mathbf{j} + 2\mathbf{k}\} \text{ ft}}{\sqrt{(-6 \text{ ft})^2 + (3 \text{ ft})^2 + (2 \text{ ft})^2}} \right] \\ &= -\frac{6}{7}F_B\mathbf{i} + \frac{3}{7}F_B\mathbf{j} + \frac{2}{7}F_B\mathbf{k} \end{aligned}$$

$$\begin{aligned} \mathbf{F}_C &= F_C \begin{pmatrix} \mathbf{r}_{AC} \\ r_{AC} \end{pmatrix} \\ &= F_C \left[\frac{\{-6\mathbf{i} - 2\mathbf{j} + 3\mathbf{k}\} \text{ ft}}{\sqrt{(-6 \text{ ft})^2 + (-2 \text{ ft})^2 + (3 \text{ ft})^2}} \right] \\ &= -\frac{6}{7}F_C\mathbf{i} - \frac{2}{7}F_C\mathbf{j} + \frac{3}{7}F_C\mathbf{k} \end{aligned}$$

$$\mathbf{F}_D = F_D\mathbf{i}$$

$$\mathbf{W} = \{-150\mathbf{k}\} \text{ lb}$$

$$\Sigma F_x = 0; \quad -\frac{6}{7}F_B - \frac{6}{7}F_C + F_D = 0 \quad (1)$$

$$\Sigma F_y = 0; \quad \frac{3}{7}F_B - \frac{2}{7}F_C = 0 \quad (2)$$

$$\Sigma F_z = 0; \quad \frac{2}{7}F_B + \frac{3}{7}F_C - 150 = 0 \quad (3)$$

$$F_B = 162 \text{ lb} \quad \text{Ans.}$$

$$F_C = 1.5(162 \text{ lb}) = 242 \text{ lb} \quad \text{Ans.}$$

$$F_D = 346.15 \text{ lb} = 346 \text{ lb} \quad \text{Ans.}$$

Chapter 4

$$\begin{aligned} \mathbf{F4-1.} \quad \zeta + M_O &= 600 \sin 50^\circ (5) + 600 \cos 50^\circ (0.5) \\ &= 2.49 \text{ kip} \cdot \text{ft} \quad \text{Ans.} \end{aligned}$$

$$\begin{aligned} \mathbf{F4-2.} \quad \zeta + M_O &= -\left(\frac{4}{3}\right)(100 \text{ N})(2 \text{ m}) - \left(\frac{3}{5}\right)(100 \text{ N})(5 \text{ m}) \\ &= -460 \text{ N} \cdot \text{m} = 460 \text{ N} \cdot \text{m} \curvearrowright \quad \text{Ans.} \end{aligned}$$

$$\begin{aligned} \mathbf{F4-3.} \quad \zeta + M_O &= [(300 \text{ N}) \sin 30^\circ][0.4 \text{ m} + (0.3 \text{ m}) \cos 45^\circ] \\ &\quad - [(300 \text{ N}) \cos 30^\circ][(0.3 \text{ m}) \sin 45^\circ] \\ &= 36.7 \text{ N} \cdot \text{m} \quad \text{Ans.} \end{aligned}$$

$$\begin{aligned} \mathbf{F4-4.} \quad \zeta + M_O &= (600 \text{ lb})(4 \text{ ft} + (3 \text{ ft}) \cos 45^\circ - 1 \text{ ft}) \\ &= 3.07 \text{ kip} \cdot \text{ft} \quad \text{Ans.} \end{aligned}$$

$$\begin{aligned} \mathbf{F4-5.} \quad \zeta + M_O &= 50 \sin 60^\circ (0.1 + 0.2 \cos 45^\circ + 0.1) \\ &\quad - 50 \cos 60^\circ (0.2 \sin 45^\circ) \\ &= 11.2 \text{ N} \cdot \text{m} \quad \text{Ans.} \end{aligned}$$

$$\begin{aligned} \mathbf{F4-6.} \quad \zeta + M_O &= 500 \sin 45^\circ (3 + 3 \cos 45^\circ) \\ &\quad - 500 \cos 45^\circ (3 \sin 45^\circ) \\ &= 1.06 \text{ kN} \cdot \text{m} \quad \text{Ans.} \end{aligned}$$

$$\begin{aligned} \mathbf{F4-7.} \quad \zeta + (M_R)_O &= \Sigma Fd; \\ (M_R)_O &= -(600 \text{ N})(1 \text{ m}) \\ &\quad + (500 \text{ N})[3 \text{ m} + (2.5 \text{ m}) \cos 45^\circ] \\ &\quad - (300 \text{ N})[(2.5 \text{ m}) \sin 45^\circ] \\ &= 1254 \text{ N} \cdot \text{m} = 1.25 \text{ kN} \cdot \text{m} \quad \text{Ans.} \end{aligned}$$

$$\begin{aligned} \mathbf{F4-8.} \quad \zeta + (M_R)_O &= \Sigma Fd; \\ (M_R)_O &= \left[\left(\frac{3}{5}\right)500 \text{ N}\right](0.425 \text{ m}) \\ &\quad - \left[\left(\frac{4}{5}\right)500 \text{ N}\right](0.25 \text{ m}) \\ &\quad - [(600 \text{ N}) \cos 60^\circ](0.25 \text{ m}) \\ &\quad - [(600 \text{ N}) \sin 60^\circ](0.425 \text{ m}) \\ &= -268 \text{ N} \cdot \text{m} = 268 \text{ N} \cdot \text{m} \curvearrowright \end{aligned}$$

$$\begin{aligned} \mathbf{F4-9.} \quad \zeta + (M_R)_O &= \Sigma Fd; \\ (M_R)_O &= (300 \cos 30^\circ \text{ lb})(6 \text{ ft} + 6 \sin 30^\circ \text{ ft}) \\ &\quad - (300 \sin 30^\circ \text{ lb})(6 \cos 30^\circ \text{ ft}) \\ &\quad + (200 \text{ lb})(6 \cos 30^\circ \text{ ft}) \\ &= 2.60 \text{ kip} \cdot \text{ft} \quad \text{Ans.} \end{aligned}$$

$$\begin{aligned} \mathbf{F4-10.} \quad \mathbf{F} &= F\mathbf{u}_{AB} = 500 \text{ N} \left(\frac{4}{5}\mathbf{i} - \frac{3}{5}\mathbf{j}\right) = \{400\mathbf{i} - 300\mathbf{j}\} \text{ N} \\ \mathbf{M}_O &= \mathbf{r}_{OA} \times \mathbf{F} = \{3\mathbf{j}\} \text{ m} \times \{400\mathbf{i} - 300\mathbf{j}\} \text{ N} \\ &= \{-1200\mathbf{k}\} \text{ N} \cdot \text{m} \quad \text{Ans.} \end{aligned}$$

or

$$\begin{aligned} \mathbf{M}_O &= \mathbf{r}_{OB} \times \mathbf{F} = \{4\mathbf{i}\} \text{ m} \times \{400\mathbf{i} - 300\mathbf{j}\} \text{ N} \\ &= \{-1200\mathbf{k}\} \text{ N} \cdot \text{m} \quad \text{Ans.} \end{aligned}$$

$$\begin{aligned} \mathbf{F4-11.} \quad \mathbf{F} &= F\mathbf{u}_{BC} \\ &= 120 \text{ lb} \left[\frac{\{4\mathbf{i} - 4\mathbf{j} - 2\mathbf{k}\} \text{ ft}}{\sqrt{(4 \text{ ft})^2 + (-4 \text{ ft})^2 + (-2 \text{ ft})^2}} \right] \\ &= \{80\mathbf{i} - 80\mathbf{j} - 40\mathbf{k}\} \text{ lb} \end{aligned}$$

$$\mathbf{M}_O = \mathbf{r}_C \times \mathbf{F} = \begin{vmatrix} \mathbf{i} & \mathbf{j} & \mathbf{k} \\ 5 & 0 & 0 \\ 80 & -80 & -40 \end{vmatrix}$$

$$= \{200\mathbf{j} - 400\mathbf{k}\} \text{ lb} \cdot \text{ft} \quad \text{Ans.}$$

or

$$\mathbf{M}_O = \mathbf{r}_B \times \mathbf{F} = \begin{vmatrix} \mathbf{i} & \mathbf{j} & \mathbf{k} \\ 1 & 4 & 2 \\ 80 & -80 & -40 \end{vmatrix}$$

$$= \{200\mathbf{j} - 400\mathbf{k}\} \text{ lb} \cdot \text{ft} \quad \text{Ans.}$$

$$\begin{aligned} \mathbf{F4-12.} \quad \mathbf{F}_R &= \mathbf{F}_1 + \mathbf{F}_2 \\ &= \{(100 - 200)\mathbf{i} + (-120 + 250)\mathbf{j} \\ &\quad + (75 + 100)\mathbf{k}\} \text{ lb} \\ &= \{-100\mathbf{i} + 130\mathbf{j} + 175\mathbf{k}\} \text{ lb} \end{aligned}$$

$$(\mathbf{M}_R)_O = \mathbf{r}_A \times \mathbf{F}_R = \begin{vmatrix} \mathbf{i} & \mathbf{j} & \mathbf{k} \\ 4 & 5 & 3 \\ -100 & 130 & 175 \end{vmatrix}$$

$$= \{485\mathbf{i} - 1000\mathbf{j} + 1020\mathbf{k}\} \text{ lb} \cdot \text{ft} \quad \text{Ans.}$$

F4-13. $M_x = \mathbf{i} \cdot (\mathbf{r}_{OB} \times \mathbf{F}) = \begin{vmatrix} 1 & 0 & 0 \\ 0.3 & 0.4 & -0.2 \\ 300 & -200 & 150 \end{vmatrix}$
 $= 20 \text{ N} \cdot \text{m}$ *Ans.*

F4-14. $\mathbf{u}_{OA} = \frac{\mathbf{r}_A}{r_A} = \frac{\{0.3\mathbf{i} + 0.4\mathbf{j}\} \text{ m}}{\sqrt{(0.3 \text{ m})^2 + (0.4 \text{ m})^2}}$
 $M_{OA} = \mathbf{u}_{OA} \cdot (\mathbf{r}_{AB} \times \mathbf{F}) = \begin{vmatrix} 0.6 & 0.8 & 0 \\ 0 & 0 & -0.2 \\ 300 & -200 & 150 \end{vmatrix}$
 $= -72 \text{ N} \cdot \text{m}$ *Ans.*

F4-15. $\mathbf{F} = (200 \text{ N}) \cos 120^\circ \mathbf{i}$
 $+ (200 \text{ N}) \cos 60^\circ \mathbf{j} + (200 \text{ N}) \cos 45^\circ \mathbf{k}$
 $= \{-100\mathbf{i} + 100\mathbf{j} + 141.42\mathbf{k}\} \text{ N}$
 $\mathbf{M}_O = \mathbf{i} \cdot (\mathbf{r}_A \times \mathbf{F}) = \begin{vmatrix} 1 & 0 & 0 \\ 0 & 0.3 & 0.25 \\ -100 & 100 & 141.42 \end{vmatrix}$
 $= 17.4 \text{ N} \cdot \text{m}$

F4-16. $\mathbf{M}_p = \mathbf{j} \cdot (\mathbf{r}_A \times \mathbf{F}) = \begin{vmatrix} 0 & 1 & 0 \\ -3 & -4 & 2 \\ 30 & -20 & 50 \end{vmatrix}$
 $= 210 \text{ N} \cdot \text{m}$ *Ans.*

F4-17. $\mathbf{u}_{AB} = \frac{\mathbf{r}_{AB}}{r_{AB}} = \frac{\{-4\mathbf{i} + 3\mathbf{j}\} \text{ ft}}{\sqrt{(-4 \text{ ft})^2 + (3 \text{ ft})^2}} = -0.8\mathbf{i} + 0.6\mathbf{j}$
 $M_{AB} = \mathbf{u}_{AB} \cdot (\mathbf{r}_{AC} \times \mathbf{F})$
 $= \begin{vmatrix} \mathbf{i} & \mathbf{j} & \mathbf{k} \\ -0.8 & 0.6 & 0 \\ 0 & 0 & 2 \\ 50 & -40 & 20 \end{vmatrix} = -4 \text{ lb} \cdot \text{ft}$
 $\mathbf{M}_{AB} = M_{AB} \mathbf{u}_{AB} = \{3.2\mathbf{i} - 2.4\mathbf{j}\} \text{ lb} \cdot \text{ft}$ *Ans.*

F4-18. $F_x = \left[\left(\frac{4}{5} \right) 500 \text{ N} \right] \left(\frac{3}{5} \right) = 240 \text{ N}$
 $F_y = \left[\left(\frac{4}{5} \right) 500 \text{ N} \right] \left(\frac{4}{5} \right) = 320 \text{ N}$
 $F_z = (500 \text{ N}) \left(\frac{3}{5} \right) = 300 \text{ N}$
 $M_x = 300 \text{ N}(2 \text{ m}) - 320 \text{ N}(3 \text{ m})$
 $= -360 \text{ N} \cdot \text{m}$ *Ans.*
 $M_y = 300 \text{ N}(2 \text{ m}) - 240 \text{ N}(3 \text{ m})$
 $= -120 \text{ N} \cdot \text{m}$ *Ans.*
 $M_z = 240 \text{ N}(2 \text{ m}) - 320 \text{ N}(2 \text{ m})$
 $= -160 \text{ N} \cdot \text{m}$ *Ans.*

F4-19. $\zeta + M_{C_R} = \Sigma M_A = 400(3) - 400(5) + 300(5)$
 $+ 200(0.2) = 740 \text{ N} \cdot \text{m}$ *Ans.*

Also,
 $\zeta + M_{C_R} = 300(5) - 400(2) + 200(0.2)$
 $= 740 \text{ N} \cdot \text{m}$ *Ans.*

F4-20. $\zeta + M_{C_R} = 300(4) + 200(4) + 150(4)$
 $= 2600 \text{ lb} \cdot \text{ft}$ *Ans.*

F4-21. $\zeta + (M_B)_R = \Sigma M_B$
 $-1.5 \text{ kN} \cdot \text{m} = (2 \text{ kN})(0.3 \text{ m}) - F(0.9 \text{ m})$
 $F = 2.33 \text{ kN}$ *Ans.*

F4-22. $\zeta + M_C = 10 \left(\frac{3}{5} \right) (2) - 10 \left(\frac{4}{5} \right) (4) = -20 \text{ kN} \cdot \text{m}$
 $= 20 \text{ kN} \cdot \text{m} \curvearrowright$

F4-23. $\mathbf{u}_1 = \frac{\mathbf{r}_1}{r_1} = \frac{[-2\mathbf{i} + 2\mathbf{j} + 3.5\mathbf{k}] \text{ ft}}{\sqrt{(-2 \text{ ft})^2 + (2 \text{ ft})^2 + (3.5 \text{ ft})^2}}$
 $= -\frac{2}{4.5} \mathbf{i} + \frac{2}{4.5} \mathbf{j} + \frac{3.5}{4.5} \mathbf{k}$
 $\mathbf{u}_2 = -\mathbf{k}$
 $\mathbf{u}_3 = \frac{1.5}{2.5} \mathbf{i} - \frac{2}{2.5} \mathbf{j}$
 $(M_c)_1 = (M_c)_1 \mathbf{u}_1$
 $= (450 \text{ lb} \cdot \text{ft}) \left(-\frac{2}{4.5} \mathbf{i} + \frac{2}{4.5} \mathbf{j} + \frac{3.5}{4.5} \mathbf{k} \right)$
 $= \{-200\mathbf{i} + 200\mathbf{j} + 350\mathbf{k}\} \text{ lb} \cdot \text{ft}$
 $(M_c)_2 = (M_c)_2 \mathbf{u}_2 = (250 \text{ lb} \cdot \text{ft})(-\mathbf{k})$
 $= \{-250\mathbf{k}\} \text{ lb} \cdot \text{ft}$
 $(M_c)_3 = (M_c)_3 \mathbf{u}_3 = (300 \text{ lb} \cdot \text{ft}) \left(\frac{1.5}{2.5} \mathbf{i} - \frac{2}{2.5} \mathbf{j} \right)$
 $= \{180\mathbf{i} - 240\mathbf{j}\} \text{ lb} \cdot \text{ft}$
 $(M_c)_R = \Sigma M_c;$
 $(M_c)_R = \{-20\mathbf{i} - 40\mathbf{j} + 100\mathbf{k}\} \text{ lb} \cdot \text{ft}$ *Ans.*

F4-24. $\mathbf{F}_B = \left(\frac{4}{5} \right) (450 \text{ N}) \mathbf{j} - \left(\frac{3}{5} \right) (450 \text{ N}) \mathbf{k}$
 $= \{360\mathbf{j} - 270\mathbf{k}\} \text{ N}$

$\mathbf{M}_c = \mathbf{r}_{AB} \times \mathbf{F}_B = \begin{vmatrix} \mathbf{i} & \mathbf{j} & \mathbf{k} \\ 0.4 & 0 & 0 \\ 0 & 360 & -270 \end{vmatrix}$
 $= \{108\mathbf{j} + 144\mathbf{k}\} \text{ N} \cdot \text{m}$ *Ans.*

Also,
 $\mathbf{M}_c = (\mathbf{r}_A \times \mathbf{F}_A) + (\mathbf{r}_B \times \mathbf{F}_B)$
 $= \begin{vmatrix} \mathbf{i} & \mathbf{j} & \mathbf{k} \\ 0 & 0 & 0.3 \\ 0 & -360 & 270 \end{vmatrix} + \begin{vmatrix} \mathbf{i} & \mathbf{j} & \mathbf{k} \\ 0.4 & 0 & 0.3 \\ 0 & 360 & -270 \end{vmatrix}$
 $= \{108\mathbf{j} + 144\mathbf{k}\} \text{ N} \cdot \text{m}$ *Ans.*

$$\text{F4-25. } \begin{aligned} \leftarrow F_{Rx} &= \Sigma F_x; F_{Rx} = 200 - \frac{3}{5}(100) = 140 \text{ lb} \\ +\downarrow F_{Ry} &= \Sigma F_y; F_{Ry} = 150 - \frac{4}{5}(100) = 70 \text{ lb} \end{aligned}$$

$$F_R = \sqrt{140^2 + 70^2} = 157 \text{ lb} \quad \text{Ans.}$$

$$\theta = \tan^{-1}\left(\frac{70}{140}\right) = 26.6^\circ \nearrow \quad \text{Ans.}$$

$$\zeta + M_{A_R} = \Sigma M_A;$$

$$M_{A_R} = \frac{3}{5}(100)(4) - \frac{4}{5}(100)(6) + 150(3)$$

$$M_{A_R} = 210 \text{ lb}\cdot\text{ft} \quad \text{Ans.}$$

$$\text{F4-26. } \begin{aligned} \leftarrow F_{Rx} &= \Sigma F_x; F_{Rx} = \frac{4}{5}(50) = 40 \text{ N} \\ +\downarrow F_{Ry} &= \Sigma F_y; F_{Ry} = 40 + 30 + \frac{3}{5}(50) \\ &= 100 \text{ N} \end{aligned}$$

$$F_R = \sqrt{(40)^2 + (100)^2} = 108 \text{ N} \quad \text{Ans.}$$

$$\theta = \tan^{-1}\left(\frac{100}{40}\right) = 68.2^\circ \searrow \quad \text{Ans.}$$

$$\zeta + M_{A_R} = \Sigma M_A;$$

$$M_{A_R} = 30(3) + \frac{3}{5}(50)(6) + 200$$

$$= 470 \text{ N}\cdot\text{m} \quad \text{Ans.}$$

$$\text{F4-27. } \begin{aligned} \rightarrow (F_R)_x &= \Sigma F_x; \\ (F_R)_x &= 900 \sin 30^\circ = 450 \text{ N} \rightarrow \end{aligned}$$

$$+\uparrow (F_R)_y = \Sigma F_y;$$

$$\begin{aligned} (F_R)_y &= -900 \cos 30^\circ - 300 \\ &= -1079.42 \text{ N} = 1079.42 \text{ N} \downarrow \end{aligned}$$

$$\begin{aligned} F_R &= \sqrt{450^2 + 1079.42^2} \\ &= 1169.47 \text{ N} = 1.17 \text{ kN} \quad \text{Ans.} \end{aligned}$$

$$\theta = \tan^{-1}\left(\frac{1079.42}{450}\right) = 67.4^\circ \searrow \quad \text{Ans.}$$

$$\zeta + (M_R)_A = \Sigma M_A;$$

$$(M_R)_A = 300 - 900 \cos 30^\circ (0.75) - 300(2.25)$$

$$\begin{aligned} &= -959.57 \text{ N}\cdot\text{m} \\ &= 960 \text{ N}\cdot\text{m} \searrow \quad \text{Ans.} \end{aligned}$$

$$\text{F4-28. } \begin{aligned} \rightarrow (F_R)_x &= \Sigma F_x; \\ (F_R)_x &= 150\left(\frac{3}{5}\right) + 50 - 100\left(\frac{4}{5}\right) = 60 \text{ lb} \rightarrow \end{aligned}$$

$$+\uparrow (F_R)_y = \Sigma F_y;$$

$$\begin{aligned} (F_R)_y &= -150\left(\frac{4}{5}\right) - 100\left(\frac{3}{5}\right) \\ &= -180 \text{ lb} = 180 \text{ lb} \downarrow \end{aligned}$$

$$F_R = \sqrt{60^2 + 180^2} = 189.74 \text{ lb} = 190 \text{ lb} \quad \text{Ans.}$$

$$\theta = \tan^{-1}\left(\frac{180}{60}\right) = 71.6^\circ \searrow \quad \text{Ans.}$$

$$\zeta + (M_R)_A = \Sigma M_A;$$

$$(M_R)_A = 100\left(\frac{4}{5}\right)(1) - 100\left(\frac{3}{5}\right)(6) - 150\left(\frac{4}{5}\right)(3)$$

$$= -640 = 640 \text{ lb}\cdot\text{ft} \searrow \quad \text{Ans.}$$

$$\text{F4-29. } \mathbf{F}_R = \Sigma \mathbf{F};$$

$$\mathbf{F}_R = \mathbf{F}_1 + \mathbf{F}_2$$

$$= (-300\mathbf{i} + 150\mathbf{j} + 200\mathbf{k}) + (-450\mathbf{k})$$

$$= \{-300\mathbf{i} + 150\mathbf{j} - 250\mathbf{k}\} \text{ N} \quad \text{Ans.}$$

$$\mathbf{r}_{OA} = (2 - 0)\mathbf{j} = \{2\mathbf{j}\} \text{ m}$$

$$\mathbf{r}_{OB} = (-1.5 - 0)\mathbf{i} + (2 - 0)\mathbf{j} + (1 - 0)\mathbf{k}$$

$$= \{-1.5\mathbf{i} + 2\mathbf{j} + 1\mathbf{k}\} \text{ m}$$

$$(\mathbf{M}_R)_O = \Sigma \mathbf{M};$$

$$(\mathbf{M}_R)_O = \mathbf{r}_{OB} \times \mathbf{F}_1 + \mathbf{r}_{OA} \times \mathbf{F}_2$$

$$= \begin{vmatrix} \mathbf{i} & \mathbf{j} & \mathbf{k} \\ -1.5 & 2 & 1 \\ -300 & 150 & 200 \end{vmatrix} + \begin{vmatrix} \mathbf{i} & \mathbf{j} & \mathbf{k} \\ 0 & 2 & 0 \\ 0 & 0 & -450 \end{vmatrix}$$

$$= \{-650\mathbf{i} + 375\mathbf{k}\} \text{ N}\cdot\text{m} \quad \text{Ans.}$$

$$\text{F4-30. } \mathbf{F}_1 = \{-100\mathbf{j}\} \text{ N}$$

$$\mathbf{F}_2 = (200 \text{ N}) \left[\frac{\{-0.4\mathbf{i} - 0.3\mathbf{k}\} \text{ m}}{\sqrt{(-0.4 \text{ m})^2 + (-0.3 \text{ m})^2}} \right]$$

$$= \{-160\mathbf{i} - 120\mathbf{k}\} \text{ N}$$

$$\mathbf{M}_c = \{-75\mathbf{i}\} \text{ N}\cdot\text{m}$$

$$\mathbf{F}_R = \{-160\mathbf{i} - 100\mathbf{j} - 120\mathbf{k}\} \text{ N} \quad \text{Ans.}$$

$$(\mathbf{M}_R)_O = (0.3\mathbf{k}) \times (-100\mathbf{j})$$

$$+ \begin{vmatrix} \mathbf{i} & \mathbf{j} & \mathbf{k} \\ 0 & 0.5 & 0.3 \\ -160 & 0 & -120 \end{vmatrix} + (-75\mathbf{i})$$

$$= \{-105\mathbf{i} - 48\mathbf{j} + 80\mathbf{k}\} \text{ N}\cdot\text{m} \quad \text{Ans.}$$

$$\text{F4-31. } \begin{aligned} +\downarrow F_R &= \Sigma F_y; F_R = 500 + 250 + 500 \\ &= 1250 \text{ lb} \quad \text{Ans.} \end{aligned}$$

$$\zeta + F_{Rx} = \Sigma M_O;$$

$$1250(x) = 500(3) + 250(6) + 500(9)$$

$$x = 6 \text{ ft} \quad \text{Ans.}$$

$$\text{F4-32. } \begin{aligned} \rightarrow (F_R)_x &= \Sigma F_x; \\ (F_R)_x &= 100\left(\frac{3}{5}\right) + 50 \sin 30^\circ = 85 \text{ lb} \rightarrow \end{aligned}$$

$$+\uparrow (F_R)_y = \Sigma F_y;$$

$$(F_R)_y = 200 + 50 \cos 30^\circ - 100\left(\frac{4}{5}\right)$$

$$= 163.30 \text{ lb} \uparrow$$

$$F_R = \sqrt{85^2 + 163.30^2} = 184 \text{ lb}$$

$$\theta = \tan^{-1}\left(\frac{163.30}{85}\right) = 62.5^\circ \nearrow \quad \text{Ans.}$$

$$\zeta + (M_R)_A = \Sigma M_A;$$

$$163.30(d) = 200(3) - 100\left(\frac{4}{5}\right)(6) + 50 \cos 30^\circ(9)$$

$$d = 3.12 \text{ ft} \quad \text{Ans.}$$

F4-33. $\rightarrow (F_R)_x = \Sigma F_x;$
 $(F_R)_x = 15\left(\frac{4}{5}\right) = 12 \text{ kN} \rightarrow$
 $+\uparrow (F_R)_y = \Sigma F_y;$
 $(F_R)_y = -20 + 15\left(\frac{3}{5}\right) = -11 \text{ kN} = 11 \text{ kN} \downarrow$
 $F_R = \sqrt{12^2 + 11^2} = 16.3 \text{ kN} \quad \text{Ans.}$
 $\theta = \tan^{-1}\left(\frac{11}{12}\right) = 42.5^\circ \swarrow \quad \text{Ans.}$
 $\zeta + (M_R)_A = \Sigma M_A;$
 $-11(d) = -20(2) - 15\left(\frac{4}{5}\right)(2) + 15\left(\frac{3}{5}\right)(6)$
 $d = 0.909 \text{ m} \quad \text{Ans.}$

F4-34. $\rightarrow (F_R)_x = \Sigma F_x;$
 $(F_R)_x = \left(\frac{3}{5}\right) 5 \text{ kN} - 8 \text{ kN}$
 $= -5 \text{ kN} = 5 \text{ kN} \leftarrow$
 $+\uparrow (F_R)_y = \Sigma F_y;$
 $(F_R)_y = -6 \text{ kN} - \left(\frac{4}{5}\right) 5 \text{ kN}$
 $= -10 \text{ kN} = 10 \text{ kN} \downarrow$
 $F_R = \sqrt{5^2 + 10^2} = 11.2 \text{ kN} \quad \text{Ans.}$
 $\theta = \tan^{-1}\left(\frac{10 \text{ kN}}{5 \text{ kN}}\right) = 63.4^\circ \searrow \quad \text{Ans.}$
 $\zeta + (M_R)_A = \Sigma M_A;$
 $5 \text{ kN}(d) = 8 \text{ kN}(3 \text{ m}) - 6 \text{ kN}(0.5 \text{ m})$
 $\quad - \left[\left(\frac{4}{5}\right) 5 \text{ kN}\right](2 \text{ m})$
 $\quad - \left[\left(\frac{3}{5}\right) 5 \text{ kN}\right](4 \text{ m})$
 $d = 0.2 \text{ m} \quad \text{Ans.}$

F4-35. $+\downarrow F_R = \Sigma F_z; \quad F_R = 400 + 500 - 100$
 $= 800 \text{ N} \quad \text{Ans.}$
 $M_{Rx} = \Sigma M_x; \quad -800y = -400(4) - 500(4)$
 $y = 4.50 \text{ m} \quad \text{Ans.}$
 $M_{Ry} = \Sigma M_y; \quad 800x = 500(4) - 100(3)$
 $x = 2.125 \text{ m} \quad \text{Ans.}$

F4-36. $+\downarrow F_R = \Sigma F_z;$
 $F_R = 200 + 200 + 100 + 100$
 $= 600 \text{ N} \quad \text{Ans.}$
 $M_{Rx} = \Sigma M_x;$
 $-600y = 200(1) + 200(1) + 100(3) - 100(3)$
 $y = -0.667 \text{ m} \quad \text{Ans.}$
 $M_{Ry} = \Sigma M_y;$
 $600x = 100(3) + 100(3) + 200(2) - 200(3)$
 $x = 0.667 \text{ m} \quad \text{Ans.}$

F4-37. $+\uparrow F_R = \Sigma F_y;$
 $-F_R = -6(1.5) - 9(3) - 3(1.5)$
 $F_R = 40.5 \text{ kN} \downarrow \quad \text{Ans.}$
 $\zeta + (M_R)_A = \Sigma M_A;$
 $-40.5(d) = 6(1.5)(0.75)$
 $-9(3)(1.5) - 3(1.5)(3.75)$
 $d = 1.25 \text{ m} \quad \text{Ans.}$

F4-38. $F_R = \frac{1}{2}(6)(150) + 8(150) = 1650 \text{ lb} \quad \text{Ans.}$
 $\zeta + M_{A_r} = \Sigma M_A;$
 $1650d = \left[\frac{1}{2}(6)(150)\right](4) + [8(150)](10)$
 $d = 8.36 \text{ ft} \quad \text{Ans.}$

F4-39. $+\uparrow F_R = \Sigma F_y;$
 $-F_R = -\frac{1}{2}(6)(3) - \frac{1}{2}(6)(6)$
 $F_R = 27 \text{ kN} \downarrow \quad \text{Ans.}$
 $\zeta + (M_R)_A = \Sigma M_A;$
 $-27(d) = \frac{1}{2}(6)(3)(1) - \frac{1}{2}(6)(6)(2)$
 $d = 1 \text{ m} \quad \text{Ans.}$

F4-40. $+\downarrow F_R = \Sigma F_y;$
 $F_R = \frac{1}{2}(50)(6) + 150(6) + 500$
 $= 1550 \text{ lb} \quad \text{Ans.}$
 $\zeta + M_{A_r} = \Sigma M_A;$
 $1550d = \left[\frac{1}{2}(50)(6)\right](4) + [150(6)](3) + 500(9)$
 $d = 5.03 \text{ ft} \quad \text{Ans.}$

F4-41. $+\uparrow F_R = \Sigma F_y;$
 $-F_R = -\frac{1}{2}(3)(4.5) - 3(6)$
 $F_R = 24.75 \text{ kN} \downarrow \quad \text{Ans.}$
 $\zeta + (M_R)_A = \Sigma M_A;$
 $-24.75(d) = -\frac{1}{2}(3)(4.5)(1.5) - 3(6)(3)$
 $d = 2.59 \text{ m} \quad \text{Ans.}$

F4-42. $F_R = \int_0^4 w(x) dx = \int_0^4 2.5x^3 dx = 160 \text{ N}$
 $\zeta + M_{A_r} = \Sigma M_A;$
 $x = \frac{\int xw(x) dx}{\int w(x) dx} = \frac{\int_0^4 2.5x^4 dx}{160} = 3.20 \text{ m}$

Chapter 5

F5-1. $\rightarrow \Sigma F_x = 0; -A_x + 500\left(\frac{3}{5}\right) = 0$
 $A_x = 300 \text{ lb}$ *Ans.*
 $\zeta + \Sigma M_A = 0; B_y(10) - 500\left(\frac{4}{5}\right)(5) - 600 = 0$
 $B_y = 260 \text{ lb}$ *Ans.*
 $+\uparrow \Sigma F_y = 0; A_y + 260 - 500\left(\frac{4}{5}\right) = 0$
 $A_y = 140 \text{ lb}$ *Ans.*

F5-2. $\zeta + \Sigma M_A = 0;$
 $F_{CD} \sin 45^\circ(1.5 \text{ m}) - 4 \text{ kN}(3 \text{ m}) = 0$
 $F_{CD} = 11.31 \text{ kN} = 11.3 \text{ kN}$ *Ans.*
 $\rightarrow \Sigma F_x = 0; A_x + (11.31 \text{ kN}) \cos 45^\circ = 0$
 $A_x = -8 \text{ kN} = 8 \text{ kN} \leftarrow$ *Ans.*
 $+\uparrow \Sigma F_y = 0;$
 $A_y + (11.31 \text{ kN}) \sin 45^\circ - 4 \text{ kN} = 0$
 $A_y = -4 \text{ kN} = 4 \text{ kN} \downarrow$ *Ans.*

F5-3. $\zeta + \Sigma M_A = 0;$
 $N_B[6 \text{ m} + (6 \text{ m}) \cos 45^\circ]$
 $- 10 \text{ kN}[2 \text{ m} + (6 \text{ m}) \cos 45^\circ]$
 $- 5 \text{ kN}(4 \text{ m}) = 0$
 $N_B = 8.047 \text{ kN} = 8.05 \text{ kN}$ *Ans.*
 $\rightarrow \Sigma F_x = 0;$
 $(5 \text{ kN}) \cos 45^\circ - A_x = 0$
 $A_x = 3.54 \text{ kN}$ *Ans.*
 $+\uparrow \Sigma F_y = 0;$
 $A_y + 8.047 \text{ kN} - (5 \text{ kN}) \sin 45^\circ - 10 \text{ kN} = 0$
 $A_y = 5.49 \text{ kN}$ *Ans.*

F5-4. $\rightarrow \Sigma F_x = 0; -A_x + 400 \cos 30^\circ = 0$
 $A_x = 346 \text{ N}$ *Ans.*
 $+\uparrow \Sigma F_y = 0;$
 $A_y - 200 - 200 - 200 - 400 \sin 30^\circ = 0$
 $A_y = 800 \text{ N}$ *Ans.*
 $\zeta + \Sigma M_A = 0;$
 $M_A - 200(2.5) - 200(3.5) - 200(4.5)$
 $- 400 \sin 30^\circ(4.5) - 400 \cos 30^\circ(3 \sin 60^\circ) = 0$
 $M_A = 3.90 \text{ kN} \cdot \text{m}$ *Ans.*

F5-5. $\zeta + \Sigma M_A = 0;$
 $N_C(0.7 \text{ m}) - [25(9.81) \text{ N}](0.5 \text{ m}) \cos 30^\circ = 0$
 $N_C = 151.71 \text{ N} = 152 \text{ N}$ *Ans.*

$\rightarrow \Sigma F_x = 0;$
 $T_{AB} \cos 15^\circ - (151.71 \text{ N}) \cos 60^\circ = 0$
 $T_{AB} = 78.53 \text{ N} = 78.5 \text{ N}$ *Ans.*
 $+\uparrow \Sigma F_y = 0;$
 $F_A + (78.53 \text{ N}) \sin 15^\circ$
 $+ (151.71 \text{ N}) \sin 60^\circ - 25(9.81) \text{ N} = 0$
 $F_A = 93.5 \text{ N}$ *Ans.*

F5-6. $\rightarrow \Sigma F_x = 0;$
 $N_C \sin 30^\circ - (250 \text{ N}) \sin 60^\circ = 0$
 $N_C = 433.0 \text{ N} = 433 \text{ N}$ *Ans.*

$\zeta + \Sigma M_B = 0;$
 $-N_A \sin 30^\circ(0.15 \text{ m}) - 433.0 \text{ N}(0.2 \text{ m})$
 $+ [(250 \text{ N}) \cos 30^\circ](0.6 \text{ m}) = 0$
 $N_A = 577.4 \text{ N} = 577 \text{ N}$ *Ans.*
 $+\uparrow \Sigma F_y = 0;$
 $N_B - 577.4 \text{ N} + (433.0 \text{ N}) \cos 30^\circ$
 $- (250 \text{ N}) \cos 60^\circ = 0$
 $N_B = 327 \text{ N}$ *Ans.*

F5-7. $\Sigma F_z = 0;$
 $T_A + T_B + T_C - 200 - 500 = 0$
 $\Sigma M_x = 0;$
 $T_A(3) + T_C(3) - 500(1.5) - 200(3) = 0$
 $\Sigma M_y = 0;$
 $-T_B(4) - T_C(4) + 500(2) + 200(2) = 0$
 $T_A = 350 \text{ lb}, T_B = 250 \text{ lb}, T_C = 100 \text{ lb}$ *Ans.*

F5-8. $\Sigma M_y = 0;$
 $600 \text{ N}(0.2 \text{ m}) + 900 \text{ N}(0.6 \text{ m}) - F_A(1 \text{ m}) = 0$
 $F_A = 660 \text{ N}$ *Ans.*

$\Sigma M_x = 0;$
 $D_z(0.8 \text{ m}) - 600 \text{ N}(0.5 \text{ m}) - 900 \text{ N}(0.1 \text{ m}) = 0$
 $D_z = 487.5 \text{ N}$ *Ans.*

$\Sigma F_x = 0; D_x = 0$ *Ans.*

$\Sigma F_y = 0; D_y = 0$ *Ans.*

$\Sigma F_z = 0;$
 $T_{BC} + 660 \text{ N} + 487.5 \text{ N} - 900 \text{ N} - 600 \text{ N} = 0$
 $T_{BC} = 352.5 \text{ N}$ *Ans.*

F5-9. $\Sigma F_y = 0; 400 \text{ N} + C_y = 0;$
 $C_y = -400 \text{ N}$ *Ans.*
 $\Sigma M_y = 0; -C_x(0.4 \text{ m}) - 600 \text{ N}(0.6 \text{ m}) = 0$
 $C_x = -900 \text{ N}$ *Ans.*
 $\Sigma M_x = 0; B_z(0.6 \text{ m}) + 600 \text{ N}(1.2 \text{ m})$
 $+ (-400 \text{ N})(0.4 \text{ m}) = 0$
 $B_z = -933.3 \text{ N}$ *Ans.*

$\Sigma M_z = 0;$
 $-B_x(0.6 \text{ m}) + -(-900 \text{ N})(1.2 \text{ m})$
 $+ (-400 \text{ N})(0.6 \text{ m}) = 0$
 $B_x = 1400 \text{ N}$ *Ans.*
 $\Sigma F_x = 0; 1400 \text{ N} + (-900 \text{ N}) - A_x = 0$
 $A_x = 500 \text{ N}$ *Ans.*
 $\Sigma F_z = 0; A_z - 933.3 \text{ N} + 600 \text{ N} = 0$
 $A_z = 333.3 \text{ N}$ *Ans.*

F5-10. $\Sigma F_x = 0; B_x = 0$ *Ans.*
 $\Sigma M_z = 0;$
 $C_y(0.4 \text{ m} + 0.6 \text{ m}) = 0 \quad C_y = 0$ *Ans.*
 $\Sigma F_y = 0; A_y + 0 = 0 \quad A_y = 0$ *Ans.*
 $\Sigma M_x = 0; C_z(0.6 \text{ m} + 0.6 \text{ m}) + B_z(0.6 \text{ m})$
 $- 450 \text{ N}(0.6 \text{ m} + 0.6 \text{ m}) = 0$
 $1.2C_z + 0.6B_z - 540 = 0$
 $\Sigma M_y = 0; -C_z(0.6 \text{ m} + 0.4 \text{ m})$
 $- B_z(0.6 \text{ m}) + 450 \text{ N}(0.6 \text{ m}) = 0$
 $-C_z - 0.6B_z + 270 = 0$
 $C_z = 1350 \text{ N} \quad B_z = -1800 \text{ N}$ *Ans.*
 $\Sigma F_z = 0;$
 $A_z + 1350 \text{ N} + (-1800 \text{ N}) - 450 \text{ N} = 0$
 $A_z = 900 \text{ N}$ *Ans.*

F5-11. $\Sigma F_y = 0; A_y = 0$
 $\Sigma M_x = 0; -9(3) + F_{CE}(3) = 0$
 $F_{CE} = 9 \text{ kN}$ *Ans.*
 $\Sigma M_z = 0; F_{CF}(3) - 6(3) = 0$
 $F_{CF} = 6 \text{ kN}$ *Ans.*
 $\Sigma M_y = 0; 9(4) - A_z(4) - 6(1.5) = 0$
 $A_z = 6.75 \text{ kN}$ *Ans.*
 $\Sigma F_x = 0; A_x + 6 - 6 = 0 \quad A_x = 0$ *Ans.*
 $\Sigma F_z = 0; F_{DB} + 9 - 9 + 6.75 = 0$
 $F_{DB} = -6.75 \text{ kN}$ *Ans.*

F5-12. $\Sigma F_x = 0; A_x = 0$ *Ans.*
 $\Sigma F_y = 0; A_y = 0$ *Ans.*
 $\Sigma F_z = 0; A_z + F_{BC} - 80 = 0$
 $\Sigma M_x = 0; (M_A)_x + 6F_{BC} - 80(6) = 0$
 $\Sigma M_y = 0; 3F_{BC} - 80(1.5) = 0 \quad F_{BC} = 40 \text{ lb}$ *Ans.*
 $\Sigma M_z = 0; (M_A)_z = 0$ *Ans.*
 $A_z = 40 \text{ lb} \quad (M_A)_x = 240 \text{ lb} \cdot \text{ft}$ *Ans.*

Chapter 6

F6-1. *Joint A.*
 $+\uparrow \Sigma F_y = 0; 225 \text{ lb} - F_{AD} \sin 45^\circ = 0$
 $F_{AD} = 318.20 \text{ lb} = 318 \text{ lb (C)}$ *Ans.*
 $\rightarrow \Sigma F_x = 0; F_{AB} - (318.20 \text{ lb}) \cos 45^\circ = 0$
 $F_{AB} = 225 \text{ lb (T)}$ *Ans.*

Joint B.

$\rightarrow \Sigma F_x = 0; F_{BC} - 225 \text{ lb} = 0$
 $F_{BC} = 225 \text{ lb (T)}$ *Ans.*
 $+\uparrow \Sigma F_y = 0; F_{BD} = 0$ *Ans.*

Joint D.

$\rightarrow \Sigma F_x = 0;$
 $F_{CD} \cos 45^\circ + (318.20 \text{ lb}) \cos 45^\circ - 450 \text{ lb} = 0$
 $F_{CD} = 318.20 \text{ lb} = 318 \text{ lb (T)}$ *Ans.*

F6-2. *Joint D:*
 $+\uparrow \Sigma F_y = 0; \frac{3}{5} F_{CD} - 300 = 0;$
 $F_{CD} = 500 \text{ lb (T)}$ *Ans.*
 $\rightarrow \Sigma F_x = 0; -F_{AD} + \frac{4}{5}(500) = 0$
 $F_{AD} = 400 \text{ lb (C)}$ *Ans.*
 $F_{BC} = 500 \text{ lb (T)}, F_{AC} = F_{AB} = 0$ *Ans.*

F6-3. $A_x = 0, A_y = C_y = 400 \text{ lb}$
Joint A:
 $+\uparrow \Sigma F_y = 0; -\frac{3}{5} F_{AE} + 400 = 0$
 $F_{AE} = 667 \text{ lb (C)}$ *Ans.*
Joint C:
 $+\uparrow \Sigma F_y = 0; -F_{DC} + 400 = 0;$
 $F_{DC} = 400 \text{ lb (C)}$ *Ans.*

F6-4. Joint C.

$$+\uparrow \Sigma F_y = 0; \quad 2F \cos 30^\circ - P = 0$$

$$F_{AC} = F_{BC} = F = \frac{P}{2 \cos 30^\circ} = 0.5774P \text{ (C)}$$

Joint B.

$$\rightarrow \Sigma F_x = 0; \quad 0.5774P \cos 60^\circ - F_{AB} = 0$$

$$F_{AB} = 0.2887P \text{ (T)}$$

$$F_{AB} = 0.2887P = 2 \text{ kN}$$

$$P = 6.928 \text{ kN}$$

$$F_{AC} = F_{BC} = 0.5774P = 1.5 \text{ kN}$$

$$P = 2.598 \text{ kN}$$

The smaller value of P is chosen,

$$P = 2.598 \text{ kN} = 2.60 \text{ kN}$$

*Ans.***F6-5.** $F_{CB} = 0$ *Ans.*

$$F_{CD} = 0$$

Ans.

$$F_{AE} = 0$$

Ans.

$$F_{DE} = 0$$

*Ans.***F6-6.** Joint C.

$$+\uparrow \Sigma F_y = 0; \quad 259.81 \text{ lb} - F_{CD} \sin 30^\circ = 0$$

$$F_{CD} = 519.62 \text{ lb} = 520 \text{ lb (C)} \quad \textit{Ans.}$$

$$\rightarrow \Sigma F_x = 0; \quad (519.62 \text{ lb}) \cos 30^\circ - F_{BC} = 0$$

$$F_{BC} = 450 \text{ lb (T)} \quad \textit{Ans.}$$

Joint D.

$$+\nearrow \Sigma F_y = 0; \quad F_{BD} \cos 30^\circ = 0 \quad F_{BD} = 0 \quad \textit{Ans.}$$

$$+\searrow \Sigma F_x = 0; \quad F_{DE} - 519.62 \text{ lb} = 0$$

$$F_{DE} = 519.62 \text{ lb} = 520 \text{ lb (C)} \quad \textit{Ans.}$$

Joint B.

$$+\uparrow \Sigma F_y = 0; \quad F_{BE} \sin \phi = 0 \quad F_{BE} = 0 \quad \textit{Ans.}$$

$$\rightarrow \Sigma F_x = 0; \quad 450 \text{ lb} - F_{AB} = 0$$

$$F_{AB} = 450 \text{ lb (T)} \quad \textit{Ans.}$$

Joint A.

$$+\uparrow \Sigma F_y = 0; \quad 340.19 \text{ lb} - F_{AE} = 0$$

$$F_{AE} = 340 \text{ lb (C)} \quad \textit{Ans.}$$

F6-7. $+\uparrow \Sigma F_y = 0; \quad F_{CF} \sin 45^\circ - 600 - 800 = 0$

$$F_{CF} = 1980 \text{ lb (T)} \quad \textit{Ans.}$$

$$\zeta + \Sigma M_C = 0; \quad F_{FE}(4) - 800(4) = 0$$

$$F_{FE} = 800 \text{ lb (T)} \quad \textit{Ans.}$$

$$\zeta + \Sigma M_F = 0; \quad F_{BC}(4) - 600(4) - 800(8) = 0$$

$$F_{BC} = 2200 \text{ lb (C)} \quad \textit{Ans.}$$

F6-8. $+\uparrow \Sigma F_y = 0; \quad F_{KC} + 33.33 \text{ kN} - 40 \text{ kN} = 0$

$$F_{KC} = 6.67 \text{ kN (C)} \quad \textit{Ans.}$$

$$\zeta + \Sigma M_K = 0;$$

$$33.33 \text{ kN}(8 \text{ m}) - 40 \text{ kN}(2 \text{ m}) - F_{CD}(3 \text{ m}) = 0$$

$$F_{CD} = 62.22 \text{ kN} = 62.2 \text{ kN (T)} \quad \textit{Ans.}$$

$$\rightarrow \Sigma F_x = 0; \quad F_{LK} - 62.22 \text{ kN} = 0$$

$$F_{LK} = 62.2 \text{ kN (C)} \quad \textit{Ans.}$$

F6-9. $\zeta + \Sigma M_A = 0; \quad G_y(12 \text{ m}) - 20 \text{ kN}(2 \text{ m})$

$$- 30 \text{ kN}(4 \text{ m}) - 40 \text{ kN}(6 \text{ m}) = 0$$

$$G_y = 33.33 \text{ kN}$$

From the geometry of the truss,

$$\phi = \tan^{-1}(3 \text{ m}/2 \text{ m}) = 56.31^\circ.$$

$$\zeta + \Sigma M_K = 0;$$

$$33.33 \text{ kN}(8 \text{ m}) - 40 \text{ kN}(2 \text{ m}) - F_{CD}(3 \text{ m}) = 0$$

$$F_{CD} = 62.2 \text{ kN (T)} \quad \textit{Ans.}$$

$$\zeta + \Sigma M_D = 0; \quad 33.33 \text{ kN}(6 \text{ m}) - F_{KJ}(3 \text{ m}) = 0$$

$$F_{KJ} = 66.7 \text{ kN (C)} \quad \textit{Ans.}$$

$$+\uparrow \Sigma F_y = 0;$$

$$33.33 \text{ kN} - 40 \text{ kN} + F_{KD} \sin 56.31^\circ = 0$$

$$F_{KD} = 8.01 \text{ kN (T)} \quad \textit{Ans.}$$

F6-10. From the geometry of the truss,

$$\tan \phi = \frac{(9 \text{ ft}) \tan 30^\circ}{3 \text{ ft}} = 1.732 \quad \phi = 60^\circ$$

$$\zeta + \Sigma M_C = 0;$$

$$F_{EF} \sin 30^\circ(6 \text{ ft}) + 300 \text{ lb}(6 \text{ ft}) = 0$$

$$F_{EF} = -600 \text{ lb} = 600 \text{ lb (C)} \quad \textit{Ans.}$$

$$\zeta + \Sigma M_D = 0;$$

$$300 \text{ lb}(6 \text{ ft}) - F_{CF} \sin 60^\circ(6 \text{ ft}) = 0$$

$$F_{CF} = 346.41 \text{ lb} = 346 \text{ lb (T)} \quad \textit{Ans.}$$

$$\zeta + \Sigma M_F = 0;$$

$$300 \text{ lb}(9 \text{ ft}) - 300 \text{ lb}(3 \text{ ft}) - F_{BC}(9 \text{ ft}) \tan 30^\circ = 0$$

$$F_{BC} = 346.41 \text{ lb} = 346 \text{ lb (T)} \quad \textit{Ans.}$$

F6-11. From the geometry of the truss,

$$\theta = \tan^{-1}(1 \text{ m}/2 \text{ m}) = 26.57^\circ$$

$$\phi = \tan^{-1}(3 \text{ m}/2 \text{ m}) = 56.31^\circ.$$

The location of G can be found using similar triangles.

$$\frac{1 \text{ m}}{2 \text{ m}} = \frac{2 \text{ m}}{2 \text{ m} + x}$$

$$4 \text{ m} = 2 \text{ m} + x$$

$$x = 2 \text{ m}$$

$$\zeta + \Sigma M_G = 0;$$

$$26.25 \text{ kN}(4 \text{ m}) - 15 \text{ kN}(2 \text{ m}) - F_{CD}(3 \text{ m}) = 0$$

$$F_{CD} = 25 \text{ kN (T)} \quad \text{Ans.}$$

$$\zeta + \Sigma M_D = 0;$$

$$26.25 \text{ kN}(2 \text{ m}) - F_{GF} \cos 26.57^\circ(2 \text{ m}) = 0$$

$$F_{GF} = 29.3 \text{ kN (C)} \quad \text{Ans.}$$

$$\zeta + \Sigma M_O = 0; \quad 15 \text{ kN}(4 \text{ m}) - 26.25 \text{ kN}(2 \text{ m})$$

$$\quad - F_{GD} \sin 56.31^\circ(4 \text{ m}) = 0$$

$$F_{GD} = 2.253 \text{ kN} = 2.25 \text{ kN (T)} \quad \text{Ans.}$$

F6-12. $\zeta + \Sigma M_H = 0;$

$$F_{DC}(12 \text{ ft}) + 1200 \text{ lb}(9 \text{ ft}) - 1600 \text{ lb}(21 \text{ ft}) = 0$$

$$F_{DC} = 1900 \text{ lb (C)} \quad \text{Ans.}$$

$$\zeta + \Sigma M_D = 0;$$

$$1200 \text{ lb}(21 \text{ ft}) - 1600 \text{ lb}(9 \text{ ft}) - F_{HI}(12 \text{ ft}) = 0$$

$$F_{HI} = 900 \text{ lb (C)} \quad \text{Ans.}$$

$$\zeta + \Sigma M_C = 0; \quad F_{JI} \cos 45^\circ(12 \text{ ft}) + 1200 \text{ lb}(21 \text{ ft})$$

$$\quad - 900 \text{ lb}(12 \text{ ft}) - 1600 \text{ lb}(9 \text{ ft}) = 0$$

$$F_{JI} = 0 \quad \text{Ans.}$$

F6-13. $+\uparrow \Sigma F_y = 0; \quad 3P - 60 = 0$

$$P = 20 \text{ lb} \quad \text{Ans.}$$

F6-14. $\zeta + \Sigma M_C = 0;$

$$-\left(\frac{4}{5}\right)(F_{AB})(9) + 400(6) + 500(3) = 0$$

$$F_{AB} = 541.67 \text{ lb}$$

$$\pm \Sigma F_x = 0; \quad -C_x + \frac{3}{5}(541.67) = 0$$

$$C_x = 325 \text{ lb} \quad \text{Ans.}$$

$$+\uparrow \Sigma F_y = 0; \quad C_y + \frac{4}{5}(541.67) - 400 - 500 = 0$$

$$C_y = 467 \text{ lb} \quad \text{Ans.}$$

F6-15. $\zeta + \Sigma M_A = 0; \quad 100 \text{ N}(250 \text{ mm}) - N_B(50 \text{ mm}) = 0$

$$N_B = 500 \text{ N} \quad \text{Ans.}$$

$$\pm \Sigma F_x = 0; \quad (500 \text{ N}) \sin 45^\circ - A_x = 0$$

$$A_x = 353.55 \text{ N}$$

$$+\uparrow \Sigma F_y = 0; \quad A_y - 100 \text{ N} - (500 \text{ N}) \cos 45^\circ = 0$$

$$A_y = 453.55 \text{ N}$$

$$F_A = \sqrt{(353.55 \text{ N})^2 + (453.55 \text{ N})^2}$$

$$= 575 \text{ N} \quad \text{Ans.}$$

F6-16. $\zeta + \Sigma M_C = 0;$

$$F_{AB} \cos 45^\circ(1) - F_{AB} \sin 45^\circ(3)$$

$$\quad + 800 + 400(2) = 0$$

$$F_{AB} = 1131.37 \text{ N}$$

$$\pm \Sigma F_x = 0; \quad -C_x + 1131.37 \cos 45^\circ = 0$$

$$C_x = 800 \text{ N} \quad \text{Ans.}$$

$$+\uparrow \Sigma F_y = 0; \quad -C_y + 1131.37 \sin 45^\circ - 400 = 0$$

$$C_y = 400 \text{ N} \quad \text{Ans.}$$

F6-17. Plate A:

$$+\uparrow \Sigma F_y = 0; \quad 2T + N_{AB} - 100 = 0$$

Plate B:

$$+\uparrow \Sigma F_y = 0; \quad 2T - N_{AB} - 30 = 0$$

$$T = 32.5 \text{ lb}, \quad N_{AB} = 35 \text{ lb} \quad \text{Ans.}$$

F6-18. Pulley C:

$$+\uparrow \Sigma F_y = 0; \quad T - 2P = 0; \quad T = 2P$$

Beam:

$$+\uparrow \Sigma F_y = 0; \quad 2P + P - 6 = 0$$

$$P = 2 \text{ kN} \quad \text{Ans.}$$

$$\zeta + \Sigma M_A = 0; \quad 2(1) - 6(x) = 0$$

$$x = 0.333 \text{ m} \quad \text{Ans.}$$

Chapter 7

F7-1. $\zeta + \Sigma M_A = 0; \quad B_y(6) - 10(1.5) - 15(4.5) = 0$

$$B_y = 13.75 \text{ kN}$$

$$\pm \Sigma F_x = 0; \quad N_C = 0 \quad \text{Ans.}$$

$$+\uparrow \Sigma F_y = 0; \quad V_C + 13.75 - 15 = 0$$

$$V_C = 1.25 \text{ kN} \quad \text{Ans.}$$

$$\zeta + \Sigma M_C = 0; \quad 13.75(3) - 15(1.5) - M_C = 0$$

$$M_C = 18.75 \text{ kN} \cdot \text{m} \quad \text{Ans.}$$

F7-2. $\zeta + \Sigma M_B = 0; \quad 30 - 10(1.5) - A_y(3) = 0$

$$A_y = 5 \text{ kN}$$

$$\pm \Sigma F_x = 0; \quad N_C = 0 \quad \text{Ans.}$$

$$+\uparrow \Sigma F_y = 0; \quad 5 - V_C = 0$$

$$V_C = 5 \text{ kN} \quad \text{Ans.}$$

$$\zeta + \Sigma M_C = 0; \quad M_C + 30 - 5(1.5) = 0$$

$$M_C = -22.5 \text{ kN} \cdot \text{m} \quad \text{Ans.}$$

F7-3. $\begin{aligned} \rightarrow \Sigma F_x = 0; & \quad B_x = 0 \\ \zeta + \Sigma M_A = 0; & \quad 3(6)(3) - B_y(9) = 0 \\ & \quad B_y = 6 \text{ kip} \\ \rightarrow \Sigma F_x = 0; & \quad N_C = 0 \quad \text{Ans.} \\ \zeta + \uparrow \Sigma F_y = 0; & \quad V_C - 6 = 0 \\ & \quad V_C = 6 \text{ kip} \quad \text{Ans.} \\ \zeta + \Sigma M_C = 0; & \quad -M_C - 6(4.5) = 0 \\ & \quad M_C = -27 \text{ kip} \cdot \text{ft} \quad \text{Ans.} \end{aligned}$

F7-4. $\begin{aligned} \zeta + \Sigma M_A = 0; & \quad B_y(6) - 12(1.5) - 9(3)(4.5) = 0 \\ & \quad B_y = 23.25 \text{ kN} \\ \rightarrow \Sigma F_x = 0; & \quad N_C = 0 \quad \text{Ans.} \\ \uparrow \Sigma F_y = 0; & \quad V_C + 23.25 - 9(1.5) = 0 \\ & \quad V_C = -9.75 \text{ kN} \quad \text{Ans.} \\ \zeta + \Sigma M_C = 0; & \quad 23.25(1.5) - 9(1.5)(0.75) - M_C = 0 \\ & \quad M_C = 24.75 \text{ kN} \cdot \text{m} \quad \text{Ans.} \end{aligned}$

F7-5. $\begin{aligned} \zeta + \Sigma M_A = 0; & \quad B_y(6) - \frac{1}{2}(9)(6)(3) = 0 \\ & \quad B_y = 13.5 \text{ kN} \\ \rightarrow \Sigma F_x = 0; & \quad N_C = 0 \quad \text{Ans.} \\ \uparrow \Sigma F_y = 0; & \quad V_C + 13.5 - \frac{1}{2}(9)(3) = 0 \\ & \quad V_C = 0 \quad \text{Ans.} \\ \zeta + \Sigma M_C = 0; & \quad 13.5(3) - \frac{1}{2}(9)(3)(1) - M_C = 0 \\ & \quad M_C = 27 \text{ kN} \cdot \text{m} \quad \text{Ans.} \end{aligned}$

F7-6. $\begin{aligned} \zeta + \Sigma M_A = 0; & \quad B_y(6) - \frac{1}{2}(6)(3)(2) - 6(3)(4.5) = 0 \\ & \quad B_y = 16.5 \text{ kN} \\ \rightarrow \Sigma F_x = 0; & \quad N_C = 0 \quad \text{Ans.} \\ \uparrow \Sigma F_y = 0; & \quad V_C + 16.5 - 6(3) = 0 \\ & \quad V_C = 1.50 \text{ kN} \quad \text{Ans.} \\ \zeta + \Sigma M_C = 0; & \quad 16.5(3) - 6(3)(1.5) - M_C = 0 \\ & \quad M_C = 22.5 \text{ kN} \cdot \text{m} \quad \text{Ans.} \end{aligned}$

F7-7. $\begin{aligned} \uparrow \Sigma F_y = 0; & \quad 6 - V = 0 \quad V = 6 \text{ kN} \\ \zeta + \Sigma M_O = 0; & \quad M + 18 - 6x = 0 \\ & \quad M = (6x - 18) \text{ kN} \cdot \text{m} \end{aligned}$

F7-8. $\begin{aligned} \uparrow \Sigma F_y = 0; & \quad -V - 2x = 0 \\ & \quad V = (-2x) \text{ kip} \\ \zeta + \Sigma M_O = 0; & \quad M + 2x\left(\frac{x}{2}\right) - 15 = 0 \\ & \quad M = (15 - x^2) \text{ kip} \cdot \text{ft} \\ V|_{x=9 \text{ ft}} = & \quad -2(9) = -18 \text{ kip} \\ M|_{x=9 \text{ ft}} = & \quad 15 - 9^2 = -66 \text{ kip} \cdot \text{ft} \end{aligned}$

F7-9. $\begin{aligned} \uparrow \Sigma F_y = 0; & \quad -V - \frac{1}{2}(2x)(x) = 0 \\ & \quad V = -(x^2) \text{ kN} \\ \zeta + \Sigma M_O = 0; & \quad M + \frac{1}{2}(2x)(x)\left(\frac{x}{3}\right) = 0 \\ & \quad M = -\left(\frac{1}{3}x^3\right) \text{ kN} \cdot \text{m} \end{aligned}$

F7-10. $\begin{aligned} \uparrow \Sigma F_y = 0; & \quad -V - 2 = 0 \\ & \quad V = -2 \text{ kN} \\ \zeta + \Sigma M_O = 0; & \quad M + 2x = 0 \\ & \quad M = (-2x) \text{ kN} \cdot \text{m} \end{aligned}$

F7-11. Region $3 \leq x < 3 \text{ m}$
 $\begin{aligned} \uparrow \Sigma F_y = 0; & \quad -V - 5 = 0 \quad V = -5 \text{ kN} \\ \zeta + \Sigma M_O = 0; & \quad M + 5x = 0 \\ & \quad M = (-5x) \text{ kN} \cdot \text{m} \end{aligned}$
Region $0 < x \leq 6 \text{ m}$
 $\begin{aligned} \uparrow \Sigma F_y = 0; & \quad V + 5 = 0 \quad V = -5 \text{ kN} \\ \zeta + \Sigma M_O = 0; & \quad 5(6 - x) - M = 0 \\ & \quad M = (5(6 - x)) \text{ kN} \cdot \text{m} \end{aligned}$

F7-12. Region $0 \leq x < 3 \text{ m}$
 $\begin{aligned} \uparrow \Sigma F_y = 0; & \quad V = 0 \\ \zeta + \Sigma M_O = 0; & \quad M - 12 = 0 \\ & \quad M = 12 \text{ kN} \cdot \text{m} \end{aligned}$
Region $3 \text{ m} < x \leq 6 \text{ m}$
 $\begin{aligned} \uparrow \Sigma F_y = 0; & \quad V + 4 = 0 \quad V = -4 \text{ kN} \\ \zeta + \Sigma M_O = 0; & \quad 4(6 - x) - M = 0 \\ & \quad M = (4(6 - x)) \text{ kN} \cdot \text{m} \end{aligned}$

F7-13. $\begin{aligned} x = 0, & \quad V = -4, \quad M = 0; \\ x = 1^+, & \quad V = -10, \quad M = -4; \\ x = 2^+, & \quad V = -18, \quad M = -14; \\ x = 3, & \quad V = -18, \quad M = -32; \end{aligned}$

F7-14. $x = 0, \quad V = 18, \quad M = -27;$
 $x = 1.5, \quad V = 6, \quad M = -9;$
 $x = 3, \quad V = 6, \quad M = 0;$

F7-15. $x = 0, \quad V = 8, \quad M = 0;$
 $x = 6^+, \quad V = 2, \quad M = 48;$
 $x = 12^+, \quad V = -10, \quad M = 60;$
 $x = 18, \quad V = -10, \quad M = 0$

F7-16. $x = 0, \quad V = 0, \quad M = 0;$
 $x = 1.5^+, \quad V = 0, \quad M = -6.75;$
 $x = 4.5^+, \quad V = 9, \quad M = -6.75;$
 $x = 6, \quad V = 0, \quad M = 0$

F7-17. $x = 0, \quad V = 9, \quad M = 0;$
 $x = 3, \quad V = 0, \quad M = 9;$
 $x = 6, \quad V = -9; \quad M = 0$

F7-18. $x = 0, \quad V = 13.5, \quad M = 0;$
 $x = 3, \quad V = 0, \quad M = 27;$
 $x = 6, \quad V = -13.5, \quad M = 0$

Chapter 8

F8-1. $+\uparrow \Sigma F_y = 0; \quad N - 50(9.81) - 200\left(\frac{3}{5}\right) = 0$
 $N = 610.5\text{N}$
 $\rightarrow \Sigma F_x = 0; \quad F - 200\left(\frac{4}{5}\right) = 0$
 $F = 160\text{ N}$
 $F < F_{\max} = \mu_s N = 0.3(610.5) = 183.15\text{ N},$
 therefore $F = 160\text{ N}$ *Ans.*

F8-2. $\zeta + \Sigma M_B = 0;$
 $N_A(3) + 0.2N_A(4) - 30(9.81)(2) = 0$
 $N_A = 154.89\text{ N}$
 $\rightarrow \Sigma F_x = 0; \quad P - 154.89 = 0$
 $P = 154.89\text{ N} = 155\text{ N}$ *Ans.*

F8-3. Crate A
 $+\uparrow \Sigma F_y = 0; \quad N_A - 50(9.81) = 0$
 $N_A = 490.5\text{ N}$
 $\rightarrow \Sigma F_x = 0; \quad T - 0.25(490.5) = 0$
 $T = 122.62\text{ N}$

Crate B
 $+\uparrow \Sigma F_y = 0; \quad N_B + P \sin 30^\circ - 50(9.81) = 0$
 $N_B = 490.5 - 0.5P$

$\rightarrow \Sigma F_x = 0;$
 $P \cos 30^\circ - 0.25(490.5 - 0.5P) - 122.62 = 0$
 $P = 247\text{ N}$ *Ans.*

F8-4. $\rightarrow \Sigma F_x = 0; \quad N_A - 0.3N_B = 0$
 $+\uparrow \Sigma F_y = 0;$
 $N_B + 0.3N_A + P - 100(9.81) = 0$
 $\zeta + \Sigma M_O = 0;$
 $P(0.6) + N_B(0.9) - 0.3N_B(0.9) - 0.3N_A(0.9) = 0$
 $N_A = 175.70\text{ N} \quad N_B = 585.67\text{ N}$
 $P = 343\text{ N}$ *Ans.*

F8-5. If slipping occurs:
 $+\uparrow \Sigma F_y = 0; \quad N_C - 250\text{ lb} = 0 \quad N_C = 250\text{ lb}$
 $\rightarrow \Sigma F_x = 0; \quad P - 0.4(250) = 0 \quad P = 100\text{ lb}$
 If tipping occurs:
 $\zeta + \Sigma M_A = 0; \quad -P(4.5) + 250(1.5) = 0$
 $P = 83.3\text{ lb}$ *Ans.*

Chapter 9

F9-1. $\bar{x} = \frac{\int_A \bar{x} dA}{\int_A dA} = \frac{\frac{1}{2} \int_0^{1\text{m}} y^{2/3} dy}{\int_0^{1\text{m}} y^{1/3} dy} = 0.4\text{ m}$ *Ans.*

$\bar{y} = \frac{\int_A \bar{y} dA}{\int_A dA} = \frac{\int_0^{1\text{m}} y^{4/3} dy}{\int_0^{1\text{m}} y^{1/3} dy} = 0.571\text{ m}$ *Ans.*

F9-2. $\bar{x} = \frac{\int_A \bar{x} dA}{\int_A dA} = \frac{\int_0^{1\text{m}} x(x^3 dx)}{\int_0^{1\text{m}} x^3 dx} = 0.8\text{ m}$ *Ans.*

$\bar{y} = \frac{\int_A \bar{y} dA}{\int_A dA} = \frac{\int_0^{1\text{m}} \frac{1}{2} x^3(x^3 dx)}{\int_0^{1\text{m}} x^3 dx} = 0.286\text{ m}$ *Ans.*

$$\text{F9-3. } \bar{y} = \frac{\int_A \bar{y} dA}{\int_A dA} = \frac{\int_0^{2\text{ m}} y \left(2 \left(\frac{y^{1/2}}{\sqrt{2}} \right) \right) dy}{\int_0^{2\text{ m}} 2 \left(\frac{y^{1/2}}{\sqrt{2}} \right) dy}$$

$$= 1.2 \text{ m} \quad \text{Ans.}$$

$$\text{F9-4. } \bar{x} = \frac{\int_m \bar{x} dm}{\int_m dm} = \frac{\int_0^L x \left[m_0 \left(1 + \frac{x^2}{L^2} \right) dx \right]}{\int_0^L m_0 \left(1 + \frac{x^2}{L^2} \right) dx}$$

$$= \frac{9}{16} L \quad \text{Ans.}$$

$$\text{F9-5. } \bar{y} = \frac{\int_V \bar{y} dV}{\int_V dV} = \frac{\int_0^{1\text{ m}} y \left(\frac{\pi}{4} y dy \right)}{\int_0^{1\text{ m}} \frac{\pi}{4} y dy}$$

$$= 0.667 \text{ m} \quad \text{Ans.}$$

$$\text{F9-6. } \bar{z} = \frac{\int_V \bar{z} dV}{\int_V dV} = \frac{\int_0^{2\text{ ft}} z \left[\frac{9\pi}{64} (4 - z)^2 dz \right]}{\int_0^{2\text{ ft}} \frac{9\pi}{64} (4 - z)^2 dz}$$

$$= 0.786 \text{ ft} \quad \text{Ans.}$$

$$\text{F9-7. } \bar{x} = \frac{\Sigma \bar{x} L}{\Sigma L}$$

$$= \frac{150(300) + 300(600) + 300(400)}{300 + 600 + 400}$$

$$= 265 \text{ mm} \quad \text{Ans.}$$

$$\bar{y} = \frac{\Sigma \bar{y} L}{\Sigma L}$$

$$= \frac{0(300) + 300(600) + 600(400)}{300 + 600 + 400}$$

$$= 323 \text{ mm} \quad \text{Ans.}$$

$$\bar{z} = \frac{\Sigma \bar{z} L}{\Sigma L}$$

$$= \frac{0(300) + 0(600) + (-200)(400)}{300 + 600 + 400}$$

$$= -61.5 \text{ mm} \quad \text{Ans.}$$

$$\text{F9-8. } \bar{y} = \frac{\Sigma \bar{y} A}{\Sigma A} = \frac{150[300(50)] + 325[50(300)]}{300(50) + 50(300)}$$

$$= 237.5 \text{ mm} \quad \text{Ans.}$$

$$\text{F9-9. } \bar{y} = \frac{\Sigma \bar{y} A}{\Sigma A} = \frac{100[2(200)(50)] + 225[50(400)]}{2(200)(50) + 50(400)}$$

$$= 162.5 \text{ mm} \quad \text{Ans.}$$

$$\text{F9-10. } \bar{x} = \frac{\Sigma \bar{x} A}{\Sigma A} = \frac{0.25[4(0.5)] + 1.75[0.5(2.5)]}{4(0.5) + 0.5(2.5)}$$

$$= 0.827 \text{ in.} \quad \text{Ans.}$$

$$\bar{y} = \frac{\Sigma \bar{y} A}{\Sigma A} = \frac{2[4(0.5)] + 0.25[(0.5)(2.5)]}{4(0.5) + (0.5)(2.5)}$$

$$= 1.33 \text{ in.} \quad \text{Ans.}$$

$$\text{F9-11. } \bar{x} = \frac{\Sigma \bar{x} V}{\Sigma V} = \frac{1[2(7)(6)] + 4[4(2)(3)]}{2(7)(6) + 4(2)(3)}$$

$$= 1.67 \text{ ft} \quad \text{Ans.}$$

$$\bar{y} = \frac{\Sigma \bar{y} V}{\Sigma V} = \frac{3.5[2(7)(6)] + 1[4(2)(3)]}{2(7)(6) + 4(2)(3)}$$

$$= 2.94 \text{ ft} \quad \text{Ans.}$$

$$\bar{z} = \frac{\Sigma \bar{z} V}{\Sigma V} = \frac{3[2(7)(6)] + 1.5[4(2)(3)]}{2(7)(6) + 4(2)(3)}$$

$$= 2.67 \text{ ft} \quad \text{Ans.}$$

$$\text{F9-12. } \bar{x} = \frac{\Sigma \bar{x} V}{\Sigma V}$$

$$= \frac{0.25[0.5(2.5)(1.8)] + 0.25 \left[\frac{1}{2}(1.5)(1.8)(0.5) \right] + \left[\frac{1}{2}(1.5)(1.8)(0.5) \right]}{0.5(2.5)(1.8) + \frac{1}{2}(1.5)(1.8)(0.5) + \frac{1}{2}(1.5)(1.8)(0.5)}$$

$$= 0.391 \text{ m} \quad \text{Ans.}$$

$$\bar{y} = \frac{\Sigma \bar{y} V}{\Sigma V} = \frac{5.00625}{3.6} = 1.39 \text{ m} \quad \text{Ans.}$$

$$\bar{z} = \frac{\Sigma \bar{z} V}{\Sigma V} = \frac{2.835}{3.6} = 0.7875 \text{ m} \quad \text{Ans.}$$

$$\text{F9-13. } A = 2\pi \Sigma \bar{r} L$$

$$= 2\pi [0.75(1.5) + 1.5(2) + 0.75\sqrt{(1.5)^2 + (2)^2}]$$

$$= 37.7 \text{ m}^2 \quad \text{Ans.}$$

$$V = 2\pi \Sigma \bar{r} A$$

$$= 2\pi [0.75(1.5)(2) + 0.5(\frac{1}{2})(1.5)(2)]$$

$$= 18.8 \text{ m}^3 \quad \text{Ans.}$$

$$\text{F9-14. } A = 2\pi \Sigma \bar{r} L$$

$$= 2\pi [1.95\sqrt{(0.9)^2 + (1.2)^2} + 2.4(1.5) + 1.95(0.9) + 1.5(2.7)]$$

$$= 77.5 \text{ m}^2 \quad \text{Ans.}$$

$$V = 2\pi \Sigma \bar{r} A$$

$$= 2\pi [1.8(\frac{1}{2})(0.9)(1.2) + 1.95(0.9)(1.5)]$$

$$= 22.6 \text{ m}^3 \quad \text{Ans.}$$

F9-15. $A = 2\pi \Sigma \bar{r}L$
 $= 2\pi[7.5(15) + 15(18) + 22.5\sqrt{15^2 + 20^2} + 15(30)]$
 $= 8765 \text{ in.}^2$ *Ans.*
 $V = 2\pi \Sigma \bar{r}A$
 $= 2\pi[7.5(15)(38) + 20(\frac{1}{2})(15)(20)]$
 $= 45\,710 \text{ in.}^3$ *Ans.*

F9-16. $A = 2\pi \Sigma \bar{r}L$
 $= 2\pi[\frac{2(1.5)}{\pi}(\frac{\pi(1.5)}{2}) + 1.5(2) + 0.75(1.5)]$
 $= 40.1 \text{ m}^2$ *Ans.*
 $V = 2\pi \Sigma \bar{r}A$
 $= 2\pi[\frac{4(1.5)}{3\pi}(\frac{\pi(1.5^2)}{4}) + 0.75(1.5)(2)]$
 $= 21.2 \text{ m}^3$ *Ans.*

F9-17. $w_b = \rho_w g h b = 1000(9.81)(6)(1)$
 $= 58.86 \text{ kN/m}$
 $F_R = \frac{1}{2}(58.76)(6) = 176.58 \text{ kN} = 177 \text{ kN}$ *Ans.*

F9-18. $w_b = \gamma_w h b = 62.4(4)(4) = 998.4 \text{ lb/ft}$
 $F_R = 998.4(3) = 3.00 \text{ kip}$ *Ans.*

F9-19. $w_b = \rho_w g h_B b = 1000(9.81)(2)(1.5)$
 $= 29.43 \text{ kN/m}$
 $F_R = \frac{1}{2}(29.43)(\sqrt{(1.5)^2 + (2)^2})$
 $= 36.8 \text{ kN}$ *Ans.*

F9-20. $w_A = \rho_w g h_A b = 1000(9.81)(3)(2)$
 $= 58.86 \text{ kN/m}$
 $w_B = \rho_w g h_B b = 1000(9.81)(5)(2)$
 $= 98.1 \text{ kN/m}$
 $F_R = \frac{1}{2}(58.86 + 98.1)(2) = 157 \text{ kN}$ *Ans.*

F9-21. $w_A = \gamma_w h_A b = 62.4(6)(2) = 748.8 \text{ lb/ft}$
 $w_B = \gamma_w h_B b = 62.4(10)(2) = 1248 \text{ lb/ft}$
 $F_R = \frac{1}{2}(748.8 + 1248)(\sqrt{(3)^2 + (4)^2})$
 $= 4.99 \text{ kip}$ *Ans.*

Chapter 10

F10-1.
 $I_x = \int_A y^2 dA = \int_0^{1 \text{ m}} y^2[(1 - y^{3/2})dy] = 0.111 \text{ m}^4$ *Ans.*

F10-2.
 $I_x = \int_A y^2 dA = \int_0^{1 \text{ m}} y^2(y^{3/2} dy) = 0.222 \text{ m}^4$ *Ans.*

F10-3.
 $I_y = \int_A x^2 dA = \int_0^{1 \text{ m}} x^2(x^{2/3})dx = 0.273 \text{ m}^4$ *Ans.*

F10-4.
 $I_y = \int_A x^2 dA = \int_0^{1 \text{ m}} x^2[(1 - x^{2/3}) dx] = 0.0606 \text{ m}^4$ *Ans.*

F10-5. $I_x = [\frac{1}{12}(50)(450^3) + 0] + [\frac{1}{12}(300)(50^3) + 0]$
 $= 383(10^6) \text{ mm}^4$ *Ans.*
 $I_y = [\frac{1}{12}(450)(50^3) + 0]$
 $+ 2[\frac{1}{12}(50)(150^3) + (150)(50)(100)^2]$
 $= 183(10^6) \text{ mm}^4$ *Ans.*

F10-6. $I_x = \frac{1}{12}(360)(200^3) - \frac{1}{12}(300)(140^3)$
 $= 171(10^6) \text{ mm}^4$ *Ans.*
 $I_y = \frac{1}{12}(200)(360^3) - \frac{1}{12}(140)(300^3)$
 $= 463(10^6) \text{ mm}^4$ *Ans.*

F10-7. $I_y = 2[\frac{1}{12}(50)(200^3) + 0]$
 $+ [\frac{1}{12}(300)(50^3) + 0]$
 $= 69.8(10^6) \text{ mm}^4$ *Ans.*

F10-8.
 $\bar{y} = \frac{\Sigma \bar{y} A}{\Sigma A} = \frac{15(150)(30) + 105(30)(150)}{150(30) + 30(150)} = 60 \text{ mm}$
 $\bar{I}_x = \Sigma(\bar{I} + Ad^2)$
 $= [\frac{1}{12}(150)(30)^3 + (150)(30)(60 - 15)^2]$
 $+ [\frac{1}{12}(30)(150)^3 + 30(150)(105 - 65)^2]$
 $= 25.1(10^6) \text{ mm}^4$ *Ans.*

Chapter 11

F11-1. $y_G = 0.75 \sin \theta$ $\delta y_G = 0.75 \cos \theta \delta \theta$
 $x_C = 2(1.5) \cos \theta$ $\delta x_C = -3 \sin \theta \delta \theta$
 $\delta U = 0; \quad 2W\delta y_G + P\delta x_C = 0$
 $(294.3 \cos \theta - 3P \sin \theta)\delta \theta = 0$
 $P = 98.1 \cot \theta|_{\theta=60^\circ} = 56.6 \text{ N}$ *Ans.*

F11-2. $x_A = 5 \cos \theta$ $\delta x_A = -5 \sin \theta \delta \theta$
 $y_G = 2.5 \sin \theta$ $\delta y_G = 2.5 \cos \theta \delta \theta$
 $\delta U = 0; \quad -P\delta x_A + (-W\delta y_G) = 0$
 $(5P \sin \theta - 1226.25 \cos \theta)\delta \theta = 0$
 $P = 245.25 \cot \theta|_{\theta=60^\circ} = 142 \text{ N}$

Ans.

F11-3. $x_B = 0.6 \sin \theta$ $\delta x_B = 0.6 \cos \theta \delta \theta$
 $y_C = 0.6 \cos \theta$ $\delta y_C = -0.6 \sin \theta \delta \theta$
 $\delta U = 0; \quad -F_{sp}\delta x_B + (-P\delta y_C) = 0$
 $-9(10^3) \sin \theta (0.6 \cos \theta \delta \theta)$
 $-2000(-0.6 \sin \theta \delta \theta) = 0$
 $\sin \theta = 0$ $\theta = 0^\circ$
 $-5400 \cos \theta + 1200 = 0$
 $\theta = 77.16^\circ = 77.2^\circ$

Ans.

F11-4. $x_B = 0.9 \cos \theta$ $\delta x_B = -0.9 \sin \theta \delta \theta$
 $x_C = 2(0.9 \cos \theta)$ $\delta x_C = -1.8 \sin \theta \delta \theta$
 $\delta U = 0; \quad P\delta x_B + (-F_{sp} \delta x_C) = 0$
 $6(10^3)(-0.9 \sin \theta \delta \theta)$
 $-36(10^3)(\cos \theta - 0.5)(-1.8 \sin \theta \delta \theta) = 0$

$$\sin \theta (64\,800 \cos \theta - 37\,800)\delta \theta = 0$$

$$\sin \theta = 0 \quad \theta = 0^\circ$$

$$64\,800 \cos \theta - 37\,800 = 0$$

$$\theta = 54.31^\circ = 54.3^\circ$$

*Ans.**Ans.*

F11-5. $y_G = 2.5 \sin \theta$ $\delta y_G = 2.5 \cos \theta \delta \theta$
 $x_A = 5 \cos \theta$ $\delta x_C = -5 \sin \theta \delta \theta$
 $\delta U = 0; \quad -W\delta y_G + (-F_{sp}\delta x_A) = 0$
 $(15\,000 \sin \theta \cos \theta - 7500 \sin \theta$
 $-1226.25 \cos \theta)\delta \theta = 0$
 $\theta = 56.33^\circ = 56.3^\circ$

Ans.

F11-6. $F_{sp} = 15\,000(0.6 - 0.6 \cos \theta)$
 $x_C = 3[0.3 \sin \theta]$ $\delta x_C = 0.9 \cos \theta \delta \theta$
 $y_B = 2[0.3 \cos \theta]$ $\delta y_B = -0.6 \sin \theta \delta \theta$
 $\delta U = 0; \quad P\delta x_C + F_{sp}\delta y_B = 0$
 $(135 \cos \theta - 5400 \sin \theta + 5400 \sin \theta \cos \theta)\delta \theta = 0$
 $\theta = 20.9^\circ$

Ans.

This page intentionally left blank

Answers to Selected Problems

Chapter 1

- 1-1. a. 4.66 m
b. 55.6 s
c. 4.56 kN
d. 2.77 Mg
- 1-2. a. N
b. MN/m
c. N/s²
d. MN/s
- 1-3. a. 0.431 g
b. 35.3 kN
c. 5.32 m
- 1-5. a. GN/s
b. Gg/N
c. GN/(kg · s)
- 1-6. a. 45.3 MN
b. 56.8 km
c. 5.63 μg
- 1-7. a. 3.65 Gg
b. $W_e = 35.8$ MN
c. $W_m = 5.89$ MN
d. $m_m = m_e = 3.65$ Gg
- 1-9. 1 Pa = 20.9(10⁻³) lb/ft²
1 ATM = 101 kPa
- 1-10. a. $W = 98.1$ N
b. $W = 4.90$ mN
c. $W = 44.1$ kN
- 1-11. a. 0.447 kg · m/N
b. 0.911 kg · s
c. 18.8 GN/m
- 1-13. a. 27.1 N · m
b. 70.7 kN/m³
c. 1.27 mm/s
- 1-14. 2.71 Mg/m³
- 1-15. $\rho_w = 1.00$ Mg/m³
- 1-17. a. $m = 2.04$ g
b. $m = 15.3$ Mg
c. $m = 6.12$ Gg
- 1-18. a. 0.04 MN²
b. 25 μm²
c. 0.064 km³
- 1-19. $F = 7.41$ μN
- 1-21. 26.9 μm · kg/N

Chapter 2

- 2-1. $F_R = \sqrt{6^2 + 8^2 - 2(6)(8) \cos 75^\circ} = 8.67$ kN
 $\frac{\sin \alpha}{8} = \frac{\sin 75^\circ}{8.669} \quad \alpha = 63.05^\circ$
 $\phi = 3.05^\circ$
- 2-2. $F_R = 10.5$ kN
 $\phi = 17.5^\circ$
- 2-3. $T = 6.57$ kN
 $\theta = 30.6^\circ$
- 2-5. $\frac{F_u}{\sin 105^\circ} = \frac{200}{\sin 30^\circ} \quad F_u = 386$ lb
 $F_v = 283$ lb
- 2-6. $F_u = 150$ lb
 $F_v = 260$ lb
- 2-7. $\theta = 78.6^\circ$
 $F_R = 3.92$ kN
- 2-9. $F_R = \sqrt{8^2 + 6^2 - 2(8)(6) \cos 100^\circ} = 10.8$ kN
 $\frac{\sin \theta'}{6} = \frac{\sin 100^\circ}{10.80}$
 $\theta' = 33.16^\circ$
 $\phi = 3.16^\circ$
- 2-10. $\theta = 54.9^\circ$
 $F_R = 10.4$ kN
- 2-11. $F_R = 400$ N
 $\theta = 60^\circ$
- 2-13. $\frac{-F_{x'}}{\sin 30^\circ} = \frac{360}{\sin 80^\circ} \quad F_{x'} = -183$ N
 $\frac{F_y}{\sin 70^\circ} = \frac{360}{\sin 80^\circ} \quad F_y = 344$ N
- 2-14. $\theta = 53.5^\circ$
 $F_{AB} = 621$ lb
- 2-15. $\phi = 38.3^\circ$
- 2-17. $\frac{F_{2v}}{\sin 30^\circ} = \frac{150}{\sin 75^\circ}, F_{2v} = 77.6$ N
 $\frac{F_{2u}}{\sin 75^\circ} = \frac{150}{\sin 75^\circ}, F_{2u} = 150$ N
- 2-18. $F_A = 774$ N
 $F_B = 346$ N
- 2-19. $F_B = 325$ N
 $F_A = 893$ N
 $\theta = 70.0^\circ$
- 2-21. $F_1 = 6 \cos 30^\circ = 5.20$ kN
 $F_2 = 6 \sin 30^\circ = 3$ kN
 $\theta = 60^\circ$

- 2-22. $\theta = 90^\circ$
 $F_2 = 2.50 \text{ kN}$
 $F_R = 4.33 \text{ kN}$
- 2-23. $F_R = 8.09 \text{ kN}$
 $\phi = 98.5^\circ$
- 2-25. $\frac{F}{\sin \phi} = \frac{F}{\sin(\theta - \phi)}$
 $\phi = \frac{\theta}{2}$
 $F_R = \sqrt{(F)^2 + (F)^2 - 2(F)(F) \cos(180^\circ - \theta)}$
 $F_R = 2F \cos\left(\frac{\theta}{2}\right)$
- 2-26. $F_A = 3.66 \text{ kN}$
 $F_B = 7.07 \text{ kN}$
- 2-27. $F_B = 5.00 \text{ kN}$
 $F_A = 8.66 \text{ kN}$
 $\theta = 60^\circ$
- 2-29. $F_A = 600 \cos 30^\circ = 520 \text{ N}$
 $F_B = 600 \sin 30^\circ = 300 \text{ N}$
- 2-30. $\theta = 10.9^\circ$
 $F_{\min} = 235 \text{ lb}$
- 2-31. $F = 97.4 \text{ lb}$
 $\theta = 16.2^\circ$
- 2-33. $F_R = \sqrt{499.62^2 + 493.01^2} = 702 \text{ N}$
 $\theta = 44.6^\circ$
- 2-34. $\phi = 42.4^\circ$ $F_1 = 731 \text{ N}$
- 2-35. $F_x = 67.3 \text{ lb}$
 $F_y = -162 \text{ lb}$
- 2-37. $5.196 = -2 + F_2 \cos \phi + 4$
 $-3 = -3.464 + F_2 \sin \phi - 3$
 $\phi = 47.3^\circ$ $F_2 = 4.71 \text{ kN}$
- 2-38. $F_2 = 12.9 \text{ kN}$
 $F_R = 13.2 \text{ kN}$
- 2-39. $\theta = 29.1^\circ$ $F_1 = 275 \text{ N}$
- 2-41. $0 = 700 \sin 30^\circ - F_B \cos \theta$
 $1500 = 700 \cos 30^\circ + F_B \sin \theta$
 $\theta = 68.6^\circ$ $F_B = 960 \text{ N}$
- 2-42. $F_R = 839 \text{ N}$
 $\phi = 14.8^\circ$
- 2-43. $F_R = 463 \text{ lb}$
 $\theta = 39.6^\circ$
- 2-45. $0 = F_1 \sin \phi - 180 - 240$
 $F_R = F_1 \cos \phi + 240 - 100$
 $F_1 = 420 \text{ lb}$
 $F_R = 140 \text{ lb}$
- 2-46. $\theta = 63.7^\circ$ $F_3 = 1.20F_1$
- 2-47. $\theta = 54.3^\circ$ $F_A = 686 \text{ N}$
- 2-49. $F_R = \sqrt{(-103.05)^2 + (-42.57)^2} = 111 \text{ lb}$
 $\theta = 202^\circ$
- 2-50. $1.22 \text{ kN} \leq P \leq 3.17 \text{ kN}$
- 2-51. $F_R = 391 \text{ N}$
 $\theta = 16.4^\circ$
- 2-53. $F_R = \sqrt{(0.5F_1 + 300)^2 + (0.8660F_1 - 240)^2}$
 $F_R^2 = F_1^2 - 115.69F_1 + 147600$
 $2F_R \frac{dF_R}{dF_1} = 2F_1 - 115.69 = 0$
 $F_1 = 57.8 \text{ N}$, $F_R = 380 \text{ N}$
- 2-54. $\theta = 103^\circ$
 $F_2 = 88.1 \text{ lb}$
- 2-55. $F_R = 161 \text{ lb}$
 $\theta = 38.3^\circ$
- 2-57. $F_R^2 = (-4.1244 - F \cos 45^\circ)^2 + (7 - F \sin 45^\circ)^2$
 $2F_R \frac{dF_R}{dF} = 2(-4.1244 - F \cos 45^\circ)(-\cos 45^\circ)$
 $+ 2(7 - F \sin 45^\circ)(-\sin 45^\circ) = 0$
 $F = 2.03 \text{ kN}$
 $F_R = 7.87 \text{ kN}$
- 2-58. $\mathbf{F}_1 = \{F_1 \cos \theta \mathbf{i} + F_1 \sin \theta \mathbf{j}\} \text{ N}$
 $\mathbf{F}_2 = \{350 \mathbf{i}\} \text{ N}$
 $\mathbf{F}_3 = \{-100 \mathbf{j}\} \text{ N}$
 $\theta = 67.0^\circ$
 $F_1 = 434 \text{ N}$
- 2-59. $\mathbf{F}_1 = \{-159 \mathbf{i} + 276 \mathbf{j} + 318 \mathbf{k}\} \text{ N}$
 $\mathbf{F}_2 = \{424 \mathbf{i} + 300 \mathbf{j} - 300 \mathbf{k}\} \text{ N}$
- 2-61. $\mathbf{F}_1 = 600\left(\frac{4}{5}\right)(+\mathbf{i}) + 0 \mathbf{j} + 600\left(\frac{3}{5}\right)(+\mathbf{k})$
 $= \{480 \mathbf{i} + 360 \mathbf{k}\} \text{ N}$
 $\mathbf{F}_2 = 400 \cos 60^\circ \mathbf{i} + 400 \cos 45^\circ \mathbf{j}$
 $+ 400 \cos 120^\circ \mathbf{k}$
 $= \{200 \mathbf{i} + 283 \mathbf{j} - 200 \mathbf{k}\} \text{ N}$
- 2-62. $F_R = 754 \text{ lb}$
 $\alpha = 25.5^\circ$
 $\beta = 68.0^\circ$
 $\gamma = 77.7^\circ$
- 2-63. $F_x = -200 \text{ N}$
 $F_y = 200 \text{ N}$
 $F_z = 283 \text{ N}$
- 2-65. $-100 \mathbf{k} = \{(F_{2_x} - 33.40) \mathbf{i} + (F_{2_y} + 19.28) \mathbf{j}$
 $+ (F_{2_z} - 45.96) \mathbf{k}\}$
 $F_2 = 66.4 \text{ lb}$
 $\alpha = 59.8^\circ$
 $\beta = 107^\circ$
 $\gamma = 144^\circ$

- 2-66. $\alpha = 124^\circ$
 $\beta = 71.3^\circ$
 $\gamma = 140^\circ$
- 2-67. $\mathbf{F}_1 = \{14.0\mathbf{j} - 48.0\mathbf{k}\}$ lb
 $\mathbf{F}_2 = \{90\mathbf{i} - 127\mathbf{j} + 90\mathbf{k}\}$ lb
- 2-69. $-300\mathbf{i} + 650\mathbf{j} + 250\mathbf{k}$
 $= (459.28\mathbf{i} + 265.17\mathbf{j} - 530.33\mathbf{k})$
 $+ (F \cos \alpha \mathbf{i} + F \cos \beta \mathbf{j} + F \cos \gamma \mathbf{k})$
 $F^2(\cos^2 \alpha + \cos^2 \beta + \cos^2 \gamma) = 1\,333\,518.08$
 $F = 1.15$ kN
 $\alpha = 131^\circ \quad \beta = 70.5^\circ \quad \gamma = 47.5^\circ$
- 2-70. $F = 882$ N
 $\alpha = 121^\circ \quad \beta = 52.7^\circ \quad \gamma = 53.0^\circ$
- 2-71. $F_R = 718$ lb
 $\alpha_R = 86.8^\circ$
 $\beta_R = 13.3^\circ$
 $\gamma_R = 103^\circ$
- 2-73. $F_R = \sqrt{(550)^2 + (52.1)^2 + (270)^2} = 615$ N
 $\alpha = 26.6^\circ$
 $\beta = 85.1^\circ$
 $\gamma = 64.0^\circ$
- 2-74. $\alpha_1 = 45.6^\circ$
 $\beta_1 = 53.1^\circ$
 $\gamma_1 = 66.4^\circ$
- 2-75. $\alpha_1 = 90^\circ$
 $\beta_1 = 53.1^\circ$
 $\gamma_1 = 66.4^\circ$
- 2-77. $F_2 \cos \alpha_2 = -150.57$
 $F_2 \cos \beta_2 = -86.93$
 $F_2 \cos \gamma_2 = 46.59$
 $F_2 = 180$ N
 $\alpha_2 = 147^\circ$
 $\beta_2 = 119^\circ$
 $\gamma_2 = 75.0^\circ$
- 2-78. $\alpha = 121^\circ$
 $\gamma = 53.1^\circ$
 $F_R = 754$ N
 $\beta = 52.5^\circ$
- 2-79. $F_3 = 9.58$ kN
 $\alpha_3 = 15.5^\circ$
 $\beta_3 = 98.4^\circ$
 $\gamma_3 = 77.0^\circ$
- 2-81. $\alpha = 64.67^\circ$
 $F_x = 1.28$ kN
 $F_y = 2.60$ kN
 $F_z = 0.776$ kN
- 2-82. $F = 2.02$ kN
 $F_y = 0.523$ kN
- 2-83. $F_3 = 166$ N
 $\alpha = 97.5^\circ$
 $\beta = 63.7^\circ$
 $\gamma = 27.5^\circ$
- 2-85. $F_2 = \sqrt{(-17.10)^2 + (8.68)^2 + (-26.17)^2}$
 $= 32.4$ lb
 $\alpha_2 = 122^\circ$
 $\beta_2 = 74.5^\circ$
 $\gamma_2 = 144^\circ$
- 2-86. $\mathbf{r}_{AB} = \{-3\mathbf{i} + 6\mathbf{j} + 2\mathbf{k}\}$ m
 $r_{AB} = 7$ m
- 2-87. $z = 5.35$ m
- 2-89. $\mathbf{F}_B = \{400\mathbf{i} - 400\mathbf{j} - 200\mathbf{k}\}$ lb
 $\mathbf{F}_C = \{250\mathbf{i} + 500\mathbf{j} - 500\mathbf{k}\}$ lb
 $F_R = \sqrt{650^2 + 100^2 + (-700)^2} = 960$ lb
 $\alpha = 47.4^\circ$
 $\beta = 84.0^\circ$
 $\gamma = 137^\circ$
- 2-90. $\alpha = 72.8^\circ$
 $\beta = 83.3^\circ$
 $\gamma = 162^\circ$
 $F_R = 822$ N
- 2-91. $F_R = 1.38$ kN
 $\alpha = 82.4^\circ$
 $\beta = 125^\circ$
 $\gamma = 144^\circ$
- 2-93. $\mathbf{F}_A = 60 \frac{(4 \cos 30^\circ \mathbf{i} - 4 \sin 30^\circ \mathbf{j} - 6 \mathbf{k})}{\sqrt{(4 \cos 30^\circ)^2 + (-4 \sin 30^\circ)^2 + (-6)^2}}$
 $= \{28.8 \mathbf{i} - 16.6 \mathbf{j} - 49.9 \mathbf{k}\}$ lb
 $\mathbf{F}_B = \{-28.8 \mathbf{i} - 16.6 \mathbf{j} - 49.9 \mathbf{k}\}$ lb
 $\mathbf{F}_C = 60 \frac{(4 \mathbf{j} - 6 \mathbf{k})}{\sqrt{(4)^2 + (-6)^2}}$
 $= \{33.3 \mathbf{j} - 49.9 \mathbf{k}\}$ lb
 $F_R = 150$ lb
 $\alpha = 90^\circ$
 $\beta = 90^\circ$
 $\gamma = 180^\circ$
- 2-94. $F = 52.1$ lb
- 2-95. $\mathbf{F} = \{59.4\mathbf{i} - 88.2\mathbf{j} - 83.2\mathbf{k}\}$ lb
 $\alpha = 63.9^\circ$
 $\beta = 131^\circ$
 $\gamma = 128^\circ$

- 2-97. $\mathbf{r}_{AB} = \{(0 - 0)\mathbf{i} + [0 - (-2.299)]\mathbf{j} + (0 - 0.750)\mathbf{k}\} \text{ m}$
 $\mathbf{r}_{CD} = \{[-0.5 - (-2.5)]\mathbf{i} + [0 - (-2.299)]\mathbf{j} + (0 - 0.750)\mathbf{k}\} \text{ m}$
 $\mathbf{F}_A = \{285\mathbf{j} - 93.0\mathbf{k}\} \text{ N}$
 $\mathbf{F}_C = \{159\mathbf{i} + 183\mathbf{j} - 59.7\mathbf{k}\} \text{ N}$
- 2-98. $\mathbf{F}_A = \{-43.5\mathbf{i} + 174\mathbf{j} - 174\mathbf{k}\} \text{ N}$
 $\mathbf{F}_B = \{53.2\mathbf{i} - 79.8\mathbf{j} - 146\mathbf{k}\} \text{ N}$
- 2-99. $F_C = 1.62 \text{ kN}$
 $F_B = 2.42 \text{ kN}$
 $F_R = 3.46 \text{ kN}$
- 2-101. $\mathbf{u} = \frac{\mathbf{F}}{F} = -\frac{120}{170}\mathbf{i} - \frac{90}{170}\mathbf{j} - \frac{80}{170}\mathbf{k}$
 $x = 24 \text{ ft}$
 $y = 18 \text{ ft}$
 $z = 16 \text{ ft}$
- 2-102. $F_R = 1.24 \text{ kip}$
 $\alpha = 90^\circ$
 $\beta = 90^\circ$
 $\gamma = 180^\circ$
- 2-103. $F_A = F_B = F_C = 326 \text{ lb}$
- 2-105. $\mathbf{F}_A = \{30\mathbf{i} - 20\mathbf{j} - 60\mathbf{k}\} \text{ lb}$
 $\mathbf{F}_B = \{30\mathbf{i} + 20\mathbf{j} - 60\mathbf{k}\} \text{ lb}$
 $\mathbf{F}_C = \{-30\mathbf{i} + 20\mathbf{j} - 60\mathbf{k}\} \text{ lb}$
 $\mathbf{F}_D = \{-30\mathbf{i} - 20\mathbf{j} - 60\mathbf{k}\} \text{ lb}$
 $F_R = 240 \text{ lb}$
 $\alpha = 90^\circ$
 $\beta = 90^\circ$
 $\gamma = 180^\circ$
- 2-106. $F = 105 \text{ lb}$
- 2-107. $\mathbf{F} = \{-6.61\mathbf{i} - 3.73\mathbf{j} + 9.29\mathbf{k}\} \text{ lb}$
- 2-109. $\mathbf{r}_A = (0 - 0.75)\mathbf{i} + (0 - 0)\mathbf{j} + (3 - 0)\mathbf{k}$
 $= \{-0.75\mathbf{i} + 0\mathbf{j} + 3\mathbf{k}\} \text{ m}$
 $\mathbf{F}_A = \{-1.46\mathbf{i} + 5.82\mathbf{k}\} \text{ kN}$
 $\mathbf{r}_C = [0 - (-0.75 \sin 45^\circ)]\mathbf{i}$
 $+ [0 - (-0.75 \cos 45^\circ)]\mathbf{j} + (3 - 0)\mathbf{k}$
 $\mathbf{F}_C = \{0.857\mathbf{i} + 0.857\mathbf{j} + 4.85\mathbf{k}\} \text{ kN}$
 $\mathbf{r}_B = [0 - (-0.75 \sin 30^\circ)]\mathbf{i}$
 $+ (0 - 0.75 \cos 30^\circ)\mathbf{j} + (3 - 0)\mathbf{k}$
 $\mathbf{F}_B = \{0.970\mathbf{i} - 1.68\mathbf{j} + 7.76\mathbf{k}\} \text{ kN}$
 $F_R = 18.5 \text{ kN}$
 $\alpha = 88.8^\circ$
 $\beta = 92.6^\circ$
 $\gamma = 2.81^\circ$
- 2-110. $\mathbf{F} = \{143\mathbf{i} + 248\mathbf{j} - 201\mathbf{k}\} \text{ lb}$

- 2-113. $(F_{AO})_{\parallel} = (24)\left(\frac{3}{7}\right) + (-48)\left(-\frac{6}{7}\right)$
 $+ 16\left(-\frac{2}{7}\right) = 46.9 \text{ N}$
 $(F_{AO})_{\perp} = \sqrt{(56)^2 - (46.86)^2} = 30.7 \text{ N}$
- 2-114. $r_{BC} = 5.39 \text{ m}$
- 2-115. $(F_{ED})_{\parallel} = 334 \text{ N}$
 $(F_{ED})_{\perp} = 498 \text{ N}$
- 2-117. $\mathbf{u}_1 = \cos 120^\circ \mathbf{i} + \cos 60^\circ \mathbf{j} + \cos 45^\circ \mathbf{k}$
 $|\text{Proj } \mathbf{F}_2| = 71.6 \text{ N}$
- 2-118. $F_{BC} = 45.2 \text{ N}$
 $\mathbf{F}_{BC} = \{32\mathbf{i} - 32\mathbf{j}\} \text{ N}$
- 2-119. $F_1 = 333 \text{ N}$
 $F_2 = 373 \text{ N}$
- 2-121. $\mathbf{u}_{AC} = 0.1581\mathbf{i} + 0.2739\mathbf{j} - 0.9487\mathbf{k}$
 $(F_{AC})_z = -569 \text{ lb}$
- 2-122. $F_{AC} = 366 \text{ lb}$
 $\mathbf{F}_{AC} = \{293\mathbf{j} + 219\mathbf{k}\} \text{ lb}$
- 2-123. $(F_{BC})_{\parallel} = 245 \text{ N}$
 $(F_{BC})_{\perp} = 316 \text{ N}$
- 2-125. $\mathbf{u}_{OD} = -\sin 30^\circ \mathbf{i} + \cos 30^\circ \mathbf{j}$
 $\mathbf{u}_{OA} = \frac{1}{3}\mathbf{i} + \frac{2}{3}\mathbf{j} - \frac{2}{3}\mathbf{k}$
 $\phi = 65.8^\circ$
- 2-126. $(F_1)_{F_2} = 50.6 \text{ N}$
- 2-127. $\theta = 97.3^\circ$
- 2-129. $\mathbf{r}_{AB} = \{-15\mathbf{i} + 3\mathbf{j} + 8\mathbf{k}\} \text{ ft}$
 $\mathbf{r}_{AC} = \{-15\mathbf{i} - 8\mathbf{j} + 12\mathbf{k}\} \text{ ft}$
 $\theta = 34.2^\circ$
- 2-130. $F_x = 47.8 \text{ lb}$
 $F_{AC} = 45.5 \text{ lb}$
- 2-131. $F_x = -75 \text{ N}$
 $F_y = 260 \text{ N}$
- 2-133. $\mathbf{u}_{F_1} = \cos 30^\circ \sin 30^\circ \mathbf{i} + \cos 30^\circ \cos 30^\circ \mathbf{j} - \sin 30^\circ \mathbf{k}$
 $\mathbf{u}_{F_2} = \cos 135^\circ \mathbf{i} + \cos 60^\circ \mathbf{j} + \cos 60^\circ \mathbf{k}$
 $(F_1)_{F_2} = 5.44 \text{ lb}$
- 2-134. $F_R = 178 \text{ N}$
 $\theta = 100^\circ$
- 2-135. $F_R = 215 \text{ lb}$
 $\theta = 52.7^\circ$
- 2-137. $\mathbf{r}_{BA} = \{-3\mathbf{i}\} \text{ ft}$
 $\mathbf{r}_{BC} = \{6\mathbf{i} + 4\mathbf{j} - 2\mathbf{k}\} \text{ ft}$
 $\theta = 143^\circ$
- 2-138. $F_r = 178 \text{ N}$
 $\theta = 85.2^\circ$
- 2-139. $F_{AB} = 215 \text{ lb}$
 $\theta = 52.7^\circ$

$$2-141. \frac{250}{\sin 120^\circ} = \frac{F_u}{\sin 40^\circ} \quad F_u = 186 \text{ N}$$

$$F_v = 98.7 \text{ N}$$

$$2-142. \text{Proj } F = 48.0 \text{ N}$$

$$2-143. \mathbf{F}_B = \{-324\mathbf{i} + 130\mathbf{j} + 195\mathbf{k}\} \text{ N}$$

$$\mathbf{F}_C = \{-324\mathbf{i} - 130\mathbf{j} + 195\mathbf{k}\} \text{ N}$$

$$\mathbf{F}_E = \{-194\mathbf{i} + 291\mathbf{k}\} \text{ N}$$

Chapter 3

$$3-1. F_{BA} \sin 30^\circ - 200(9.81) = 0 \quad F_{BA} = 3.92 \text{ kN}$$

$$F_{BC} = 3.40 \text{ kN}$$

$$3-2. F_{BC} = 2.90 \text{ kN}, y = 0.841 \text{ m}$$

$$3-3. F_{AB} = 29.4 \text{ kN}$$

$$F_{BC} = 15.2 \text{ kN}, F_{BD} = 21.5 \text{ kN}$$

$$3-5. T = 13.3 \text{ kN}, F_2 = 10.2 \text{ kN}$$

$$3-6. \theta = 36.3^\circ, T = 14.3 \text{ kN}$$

$$3-7. T_{BC} = 22.3 \text{ kN}$$

$$T_{BD} = 32.6 \text{ kN}$$

$$3-9. F_{AB} \cos 45^\circ - F_{AC} \left(\frac{3}{5}\right) = 0$$

$$F_{AC} = 294.63 \text{ lb}$$

$$W = 412 \text{ lb}$$

$$3-10. T = 7.20 \text{ kN}$$

$$F = 5.40 \text{ kN}$$

$$3-11. T = 7.66 \text{ kN}$$

$$\theta = 70.1^\circ$$

$$3-13. W_C \cos 30^\circ - 275 \cos \theta = 0$$

$$\theta = 40.9^\circ \quad W_C = 240 \text{ lb}$$

$$3-14. x_{AC} = 0.793 \text{ m}$$

$$x_{AB} = 0.467 \text{ m}$$

$$3-15. m = 8.56 \text{ kg}$$

$$3-17. F_{CB} \cos \theta - F_{CA} \cos 30^\circ = 0$$

$$\theta = 64.3^\circ \quad F_{CB} = 85.2 \text{ N}$$

$$F_{CA} = 42.6 \text{ N}$$

$$3-18. F_{AB} = 98.6 \text{ N} \quad F_{AC} = 267 \text{ N}$$

$$3-19. d = 2.42 \text{ m}$$

$$3-21. \text{Joint } D, \Sigma F_x = 0,$$

$$F_{CD} \cos 30^\circ - F_{BD} \cos 45^\circ = 0$$

$$\text{Joint } B, \Sigma F_x = 0,$$

$$F_{BC} + 8.7954m \cos 45^\circ - 12.4386m \cos 30^\circ = 0$$

$$m = 48.2 \text{ kg}$$

$$3-22. \theta = 35.0^\circ$$

$$3-23. 40 = 50(\sqrt{12} - l'), l' = 2.66 \text{ ft}$$

$$3-25. \text{Joint } E, F_{ED} \cos 30^\circ - F_{EB} \left(\frac{3}{5}\right) = 0$$

$$\text{Joint } B,$$

$$1.3957W \cos 30^\circ - 0.8723W \left(\frac{3}{5}\right) - F_{BA} = 0$$

$$W = 57.7 \text{ lb}$$

$$3-26. F_{BA} = 80.7 \text{ lb}$$

$$F_{CD} = 65.9 \text{ lb}$$

$$F_{BC} = 57.1 \text{ lb}$$

$$\theta = 2.95^\circ$$

$$3-27. W_F = 123 \text{ lb}$$

$$3-29. 100 \cos \theta = W \left(\frac{5}{13}\right)$$

$$\theta = 78.7^\circ$$

$$W = 51.0 \text{ lb}$$

$$3-30. T = 53.1 \text{ lb}$$

$$3-31. F = 39.3 \text{ lb}$$

$$3-33. 2(T \cos 30^\circ) - 50 = 0$$

$$T = 28.9 \text{ N}$$

$$F_R = 14.9 \text{ N}, (A \text{ and } D)$$

$$F_R = 40.8 \text{ N}, (B \text{ and } C)$$

$$3-34. P = 147 \text{ N}$$

$$3-35. l = 19.1 \text{ in.}$$

$$3-37. -T_{AC} + F_s \cos \theta = 0$$

$$d = 7.13 \text{ in.}$$

$$3-38. k = 6.80 \text{ lb/in.}$$

$$3-39. W_E = 18.3 \text{ lb}$$

$$3-41. -150 + 2T \sin \theta = 0$$

$$-2(107.1) \cos 44.4^\circ + m(9.81) = 0$$

$$m = 15.6 \text{ kg}$$

$$3-42. m = 2.37 \text{ kg}$$

$$3-43. y = 6.59 \text{ m}$$

$$3-45. F_{AB} - \frac{2}{3}F_{AD} = 0$$

$$-F_{AC} + \frac{2}{3}F_{AD} = 0$$

$$\frac{1}{3}F_{AD} - 981 = 0$$

$$F_{AD} = 2.94 \text{ kN}$$

$$F_{AB} = F_{AC} = 1.96 \text{ kN}$$

$$3-46. m = 102 \text{ kg}$$

$$3-47. F_{AB} = 2.52 \text{ kN}$$

$$F_{CB} = 2.52 \text{ kN}$$

$$F_{BD} = 3.64 \text{ kN}$$

$$3-49. -\frac{2}{3}F_{AB} - \frac{2}{3}F_{AC} + F_{AD} = 0$$

$$\frac{1}{3}F_{AB} - \frac{2}{3}F_{AC} = 0$$

$$\frac{2}{3}F_{AB} + \frac{1}{3}F_{AC} - W = 0$$

$$F_{AC} = 225 \text{ lb} \quad F_{AD} = 450 \text{ lb}$$

$$W = 375 \text{ lb}$$

$$3-50. F_{AB} = 1.37 \text{ kip}$$

$$F_{AC} = 0.744 \text{ kip}$$

$$F_{AD} = 1.70 \text{ kip}$$

$$3-51. F_{AB} = 1.47 \text{ kip}$$

$$F_{AC} = 0.914 \text{ kip}$$

$$F_{AD} = 1.42 \text{ kip}$$

$$\begin{aligned}
 \mathbf{3-53.} \quad & 0.1330 F_C - 0.2182 F_D = 0 \\
 & 0.7682 F_B - 0.8865 F_C - 0.8729 F_D = 0 \\
 0.6402 F_B - 0.4432 F_C - 0.4364 F_D - 4905 &= 0 \\
 & F_B = 19.2 \text{ kN} \\
 & F_C = 10.4 \text{ kN} \\
 & F_D = 6.32 \text{ kN}
 \end{aligned}$$

$$\begin{aligned}
 \mathbf{3-54.} \quad & F_{AB} = 1.21 \text{ kN} \\
 & F_{AC} = 606 \text{ N} \\
 & F_{AD} = 750 \text{ N}
 \end{aligned}$$

$$\begin{aligned}
 \mathbf{3-55.} \quad & F_{AB} = 1.31 \text{ kN} \\
 & F_{AC} = 763 \text{ N} \\
 & F_{AD} = 708.5 \text{ N}
 \end{aligned}$$

$$\begin{aligned}
 \mathbf{3-57.} \quad & \frac{4}{14}F_B - \frac{6}{14}F_C - \frac{4}{14}F_D = 0 \\
 & -\frac{6}{14}F_B - \frac{4}{14}F_C + \frac{6}{14}F_D = 0 \\
 & -\frac{12}{14}F_B - \frac{12}{14}F_C - \frac{12}{14}F_D + W = 0 \\
 & m = 2.62 \text{ Mg}
 \end{aligned}$$

$$\begin{aligned}
 \mathbf{3-58.} \quad & F_{AB} = 831 \text{ N} \\
 & F_{AC} = 35.6 \text{ N} \\
 & F_{AD} = 415 \text{ N}
 \end{aligned}$$

$$\mathbf{3-59.} \quad m = 90.3 \text{ kg}$$

$$\begin{aligned}
 \mathbf{3-61.} \quad & (F_{AB})_x - \frac{3}{7}F_{AB} - \frac{3}{7}F_{AB} = 0 \\
 & (F_{AB})_z + \frac{3}{14}F_{AB} + \frac{3}{14}F_{AB} - 490.5 = 0 \\
 & F_{AB} = 520 \text{ N} \\
 & F_{AC} = F_{AD} = 260 \text{ N} \\
 & d = 3.61 \text{ m}
 \end{aligned}$$

$$\begin{aligned}
 \mathbf{3-62.} \quad & y = 0.374 \text{ ft} \\
 & z = 2.51 \text{ ft}
 \end{aligned}$$

$$\begin{aligned}
 \mathbf{3-63.} \quad & F = 831 \text{ lb} \\
 & z = 2.07 \text{ ft}
 \end{aligned}$$

$$\mathbf{3-65.} \quad F_{AD} \left(\frac{0.5 \cos 30^\circ}{\sqrt{0.5^2 + z^2}} \right) - F_{AC} \left(\frac{0.5 \cos 30^\circ}{\sqrt{0.5^2 + z^2}} \right) = 0$$

$$F_{AB} \left(\frac{0.5}{\sqrt{0.5^2 + z^2}} \right) - 2 \left[F \left(\frac{0.5 \sin 30^\circ}{\sqrt{0.5^2 + z^2}} \right) \right] = 0$$

$$3F \left(\frac{z}{\sqrt{0.5^2 + z^2}} \right) - 100(9.81) = 0$$

$$z = 173 \text{ mm}$$

$$\mathbf{3-66.} \quad d = 1.64 \text{ ft}$$

$$\mathbf{3-67.} \quad F_{AB} = F_{AC} = F_{AD} = 375 \text{ lb}$$

$$\begin{aligned}
 \mathbf{3-69.} \quad & -0.3873 F_{OB} + 0.3873 F_{OC} + 100 \sin \theta = 0 \\
 & \theta = 0^\circ \\
 & -0.4472 F_{OA} - 0.2236 F_{OB} \\
 & -0.2236 F_{OC} + 100 = 0
 \end{aligned}$$

$$\begin{aligned}
 & 0.8944 F_{OA} - 0.8944 F_{OB} - 0.8944 F_{OC} = 0 \\
 & F_{OA} = 149 \text{ lb} \\
 & F_{OB} = F_{OC} = 74.5 \text{ lb}
 \end{aligned}$$

$$\mathbf{3-70.} \quad \theta = 11.5^\circ$$

$$\mathbf{3-71.} \quad \theta = 4.69^\circ$$

$$F_1 = 4.31 \text{ kN}$$

$$\begin{aligned}
 \mathbf{3-73.} \quad & 1.699(10)^{-3} \cos 60^\circ - F = 0 \\
 & F = 0.850 \text{ mN}
 \end{aligned}$$

$$\begin{aligned}
 \mathbf{3-74.} \quad & F_{AB} = 110 \text{ N} \\
 & F_{AC} = 85.8 \text{ N} \quad F_{AO} = 319 \text{ N}
 \end{aligned}$$

$$\mathbf{3-75.} \quad P = 639 \text{ lb}$$

$$\alpha_3 = 77.2^\circ$$

$$\beta_3 = 148^\circ$$

$$\gamma_3 = 119^\circ$$

$$\mathbf{3-77.} \quad F_2 + F_1 \cos 60^\circ - 800 \left(\frac{3}{5} \right) = 0$$

$$800 \left(\frac{4}{5} \right) + F_1 \cos 135^\circ - F_3 = 0$$

$$F_1 \cos 60^\circ - 200 = 0$$

$$F_1 = 400 \text{ lb}$$

$$F_2 = 280 \text{ lb}$$

$$F_3 = 357 \text{ lb}$$

$$\mathbf{3-78.} \quad F_{CD} = 625 \text{ lb}$$

$$F_{CA} = F_{CB} = 198 \text{ lb}$$

$$\mathbf{3-79.} \quad F_1 = 0$$

$$F_2 = 311 \text{ lb}$$

$$F_3 = 238 \text{ lb}$$

Chapter 4

$$\mathbf{4-5.} \quad 30 (\cos 45^\circ) (18) = F \left(\frac{4}{3} \right) (12)$$

$$F = 39.8 \text{ lb}$$

$$\mathbf{4-6.} \quad M_A = 7.21 \text{ kN} \cdot \text{m} \curvearrowright$$

$$\mathbf{4-7.} \quad \theta = 64.0^\circ$$

$$\begin{aligned}
 \mathbf{4-9.} \quad & -500 = -F \cos 30^\circ (18) - F \sin 30^\circ (5) \\
 & F = 27.6 \text{ lb}
 \end{aligned}$$

$$\mathbf{4-10.} \quad M_O = 120 \text{ N} \cdot \text{m} \curvearrowright$$

$$M_O = 520 \text{ N} \cdot \text{m} \curvearrowright$$

$$\mathbf{4-11.} \quad M_A = 38.2 \text{ kN} \cdot \text{m} \curvearrowright$$

$$\mathbf{4-13.} \quad M_A = (36 \cos \theta + 18 \sin \theta) \text{ kN} \cdot \text{m}$$

$$\frac{dM_A}{d\theta} = -36 \sin \theta + 18 \cos \theta = 0$$

$$\theta = 26.6^\circ, (M_A)_{\max} = 40.2 \text{ kN} \cdot \text{m}$$

$$\text{When } M_A = 0,$$

$$0 = 36 \cos \theta + 18 \sin \theta, \theta = 117^\circ$$

$$\mathbf{4-14.} \quad \zeta + M_A = 123 \text{ lb} \cdot \text{in.} \downarrow$$

$$F = 23.7 \text{ lb}$$

$$\mathbf{4-15.} \quad (M_R)_A = 2.09 \text{ N} \cdot \text{m} \curvearrowright$$

- 4-17. $(M_{F_A})_C = -30\left(\frac{3}{5}\right)(9)$
 $= -162 \text{ lb} \cdot \text{ft} = 162 \text{ lb} \cdot \text{ft} \curvearrowright$
 $(M_{F_B})_C = 260 \text{ lb} \cdot \text{ft} \curvearrowleft$
 Since $(M_{F_B})_C > (M_{F_A})_C$, the gate will rotate *counterclockwise*.
- 4-18. $F_A = 28.9 \text{ lb}$
- 4-19. $M_P = (537.5 \cos \theta + 75 \sin \theta) \text{ lb} \cdot \text{ft}$
- 4-21. a. $M_A = 400\sqrt{(3)^2 + (2)^2}$
 $M_A = 1.44 \text{ kN} \cdot \text{m} \curvearrowright$
 $\theta = 56.3^\circ$
- 4-22. $\zeta + M_A = 1200 \sin \theta + 800 \cos \theta$
 $M_{\max} = 1.44 \text{ kN} \cdot \text{m} \curvearrowright$
 $\theta_{\max} = 56.3^\circ$
- 4-23. $M_{\min} = 0$
 $\theta_{\min} = 146^\circ$
- 4-25. $BC = 24.57 \text{ ft}$
 $\frac{\sin \theta}{10} = \frac{\sin 105^\circ}{24.57} \quad \theta = 23.15^\circ$
 $1500 = F \sin 23.15^\circ (20)$
 $F = 191 \text{ lb}$
- 4-26. $(M_A)_1 = 118 \text{ lb} \cdot \text{in.} \curvearrowright$
 $(M_A)_2 = 140 \text{ lb} \cdot \text{in.} \curvearrowright$
- 4-27. $M_A = 73.9 \text{ N} \cdot \text{m} \curvearrowright$
 $F_C = 82.2 \text{ N} \leftarrow$
- 4-29. $\zeta + M_B = 40 \cos 25^\circ (2.5) = 90.6 \text{ lb} \cdot \text{ft} \curvearrowleft$
 $\zeta + M_C = 141 \text{ lb} \cdot \text{ft} \curvearrowleft$
- 4-30. $\zeta + M_A = 195 \text{ lb} \cdot \text{ft} \curvearrowleft$
- 4-31. $\zeta + M_A = 7.71 \text{ N} \cdot \text{m} \curvearrowleft$
- 4-33. Maximum moment, $OB \perp BA$
 $\zeta + (M_O)_{\max} = 80.0 \text{ kN} \cdot \text{m}$
 $\theta = 33.6^\circ$
- 4-34. $F = 115 \text{ N}$
- 4-35. $F = 84.3 \text{ N}$
- 4-37. $\mathbf{M}_O = \mathbf{r}_{OA} \times \mathbf{F}_1 = \{110\mathbf{i} - 50\mathbf{j} + 90\mathbf{k}\} \text{ lb} \cdot \text{ft}$
- 4-38. $\mathbf{M}_O = \{90\mathbf{i} - 130\mathbf{j} - 60\mathbf{k}\} \text{ lb} \cdot \text{ft}$
- 4-39. $(\mathbf{M}_R)_O = \{200\mathbf{i} - 180\mathbf{j} + 30\mathbf{k}\} \text{ lb} \cdot \text{ft}$
- 4-41. $\mathbf{M}_O = \mathbf{r}_{OA} \times \mathbf{F}_C = \{1080\mathbf{i} + 720\mathbf{j}\} \text{ N} \cdot \text{m}$
 $\mathbf{M}_O = \mathbf{r}_{OC} \times \mathbf{F}_C = \{1080\mathbf{i} + 720\mathbf{j}\} \text{ N} \cdot \text{m}$
- 4-42. $\mathbf{M}_O = \{-720\mathbf{i} + 720\mathbf{j}\} \text{ N} \cdot \text{m}$
- 4-43. $(\mathbf{M}_A)_O = \{-18\mathbf{i} + 9\mathbf{j} - 3\mathbf{k}\} \text{ N} \cdot \text{m}$
 $(\mathbf{M}_B)_O = \{18\mathbf{i} + 7.5\mathbf{j} + 30\mathbf{k}\} \text{ N} \cdot \text{m}$
- 4-45. $\mathbf{M}_A = \mathbf{r}_{AC} \times \mathbf{F}$
 $= \{-5.39\mathbf{i} + 13.1\mathbf{j} + 11.4\mathbf{k}\} \text{ N} \cdot \text{m}$
- 4-46. $\mathbf{M}_B = \{10.6\mathbf{i} + 13.1\mathbf{j} + 29.2\mathbf{k}\} \text{ N} \cdot \text{m}$
- 4-47. $y = 1 \text{ m}$
 $z = 3 \text{ m}$
 $d = 1.15 \text{ m}$
- 4-49. $\mathbf{b} = \mathbf{r}_{CA} \times \mathbf{r}_{CB}$
 $\mathbf{u}_F = \frac{\mathbf{b}}{b}$
- $\mathbf{M}_B = \mathbf{r}_{BC} \times \mathbf{F} = \{10\mathbf{i} + 0.750\mathbf{j} - 1.56\mathbf{k}\} \text{ kN} \cdot \text{m}$
- 4-50. $M_O = 4.27 \text{ N} \cdot \text{m}$
 $\alpha = 95.2^\circ$
 $\beta = 110^\circ$
 $\gamma = 20.6^\circ$
- 4-51. $\mathbf{M}_{AF} = \{9.33\mathbf{i} + 9.33\mathbf{j} - 4.67\mathbf{k}\} \text{ N} \cdot \text{m}$
- 4-53. $\mathbf{u} = \mathbf{k}$
 $\mathbf{r} = 0.25 \sin 30^\circ \mathbf{i} + 0.25 \cos 30^\circ \mathbf{j}$
 $M_z = 15.5 \text{ N} \cdot \text{m}$
- 4-54. $M_x = 15.0 \text{ lb} \cdot \text{ft}$
 $M_y = 4.00 \text{ lb} \cdot \text{ft}$
 $M_z = 36.0 \text{ lb} \cdot \text{ft}$
- 4-55. $\mathbf{M}_{AC} = \{11.5\mathbf{i} + 8.64\mathbf{j}\} \text{ lb} \cdot \text{ft}$
- 4-57. $\mathbf{r}_{OB} = \{0.2 \cos 45^\circ \mathbf{i} - 0.2 \sin 45^\circ \mathbf{k}\} \text{ m}$
 $M_y = 0.828 \text{ N} \cdot \text{m}$
- 4-58. $M_x = 73.0 \text{ N} \cdot \text{m}$
- 4-59. $F = 771 \text{ N}$
- 4-61. $M_{CD} = \mathbf{u}_{CD} \cdot \mathbf{r}_{CA} \times \mathbf{F}$
 $= u_{CD} \cdot \mathbf{r}_{DB} \times \mathbf{F} = -432 \text{ lb} \cdot \text{ft}$
- 4-62. $F = 162 \text{ lb}$
- 4-63. $M_{y'} = 464 \text{ lb} \cdot \text{ft}$
- 4-65. $\mathbf{u}_y = -\sin 30^\circ \mathbf{i}' + \cos 30^\circ \mathbf{j}'$
 $\mathbf{r}_{AC} = -6 \cos 15^\circ \mathbf{i}' + 3 \mathbf{j}' + 6 \sin 15^\circ \mathbf{k}$
 $M_{y'} = 282 \text{ lb} \cdot \text{ft}$
- 4-66. $M = 282 \text{ lb} \cdot \text{in.}$
- 4-67. $(M_a)_1 = 30 \text{ lb} \cdot \text{in.}$
 $(M_a)_2 = 8 \text{ lb} \cdot \text{in.}$
- 4-69. $M_{OA} = \mathbf{u}_{OA} \cdot \mathbf{r}_{OB} \times \mathbf{W} = \mathbf{u}_{OA} \cdot \mathbf{r}_{OB} \times \mathbf{W}$
 $W = 56.8 \text{ lb}$
- 4-70. $M_x = 14.8 \text{ N} \cdot \text{m}$
- 4-71. $F = 20.2 \text{ N}$
- 4-73. $M_2 = 424 \text{ N} \cdot \text{m}$
 $0 = 424.26 \cos 45^\circ - M_3$
 $M_3 = 300 \text{ N} \cdot \text{m}$
- 4-74. $F = 625 \text{ N}$
- 4-75. $(M_c)_R = 260 \text{ lb} \cdot \text{ft} \curvearrowright$
- 4-77. $F' = 33.3 \text{ N}$
 $F = 133 \text{ N}$
- 4-78. $F = 111 \text{ N}$
- 4-79. $\theta = 56.1^\circ$
- 4-81. $\zeta + M_R = 100 \cos 30^\circ (0.3) + 100 \sin 30^\circ (0.3)$
 $- P \sin 15^\circ (0.3) - P \cos 15^\circ (0.3) = 15$
 $P = 70.7 \text{ N}$

- 4-82.** For minimum P require $\theta = 45^\circ$
 $P = 49.5 \text{ N}$
- 4-83.** $N = 26.0 \text{ N}$
- 4-85. a.**
 $M_R = 8 \cos 45^\circ(1.8) + 8 \sin 45^\circ(0.3) + 2 \cos 30^\circ(1.8)$
 $- 2 \sin 30^\circ(0.3) - 2 \cos 30^\circ(3.3) - 8 \cos 45^\circ(3.3)$
 $M_R = 9.69 \text{ kN} \cdot \text{m} \curvearrowright$
b. $M_R = 9.69 \text{ kN} \cdot \text{m} \curvearrowright$
- 4-86.** $(M_c)_R = 5.20 \text{ kN} \cdot \text{m} \curvearrowright$
- 4-87.** $F = 14.2 \text{ kN} \cdot \text{m}$
- 4-89. a.** $\zeta + M_C = 40 \cos 30^\circ(4) - 60\left(\frac{4}{5}\right)(4)$
 $= 53.4 \text{ lb} \cdot \text{ft} \curvearrowright$
b. $\zeta + M_C = -53.4 \text{ lb} \cdot \text{ft} = 53.4 \text{ lb} \cdot \text{ft} \curvearrowright$
- 4-90. a.** $\zeta + M_C = 53.4 \text{ lb} \cdot \text{ft} \curvearrowright$
b. $\zeta + M_C = 53.4 \text{ lb} \cdot \text{ft} \curvearrowright$
- 4-91.** $(M_c)_R = 1.04 \text{ kN} \cdot \text{m}$
 $\alpha = 120^\circ$
 $\beta = 61.3^\circ$
 $\gamma = 136^\circ$
- 4-93.** $\mathbf{M}_c = \mathbf{r}_{AB} \times \mathbf{F} = \mathbf{r}_{BA} \times -\mathbf{F}$
 $M_c = 40.8 \text{ N} \cdot \text{m}$
 $\alpha = 11.3^\circ$
 $\beta = 101^\circ$
 $\gamma = 90^\circ$
- 4-94.** $F = 98.1 \text{ N}$
- 4-95.** $(M_R)_x = 4.84 \text{ kip} \cdot \text{ft}$
 $(M_R)_y = 29.8 \text{ kip} \cdot \text{ft}$
- 4-97.** $M_C = F(1.5)$
 $F = 15.4 \text{ N}$
- 4-98.** $\mathbf{M}_R = \{-12.1\mathbf{i} - 10.0\mathbf{j} - 17.3\mathbf{k}\} \text{ N} \cdot \text{m}$
- 4-99.** $d = 342 \text{ mm}$
- 4-101.** $0 = -M_2 + \frac{2}{3}M_3 + 75$
 $0 = M_1 - \frac{2}{3}M_3 - 75$
 $0 = \frac{1}{3}M_3 - 106.7$
 $M_3 = 318 \text{ lb} \cdot \text{ft}$
 $M_1 = M_2 = 287 \text{ lb} \cdot \text{ft}$
- 4-102.** $(M_C)_R = 224 \text{ N} \cdot \text{m}$
 $\alpha = 153^\circ$
 $\beta = 63.4^\circ$
 $\gamma = 90^\circ$
- 4-103.** $F_1 = 200 \text{ lb}$
 $F_2 = 150 \text{ lb}$
- 4-105.** $F_R = \sqrt{1.25^2 + 5.799^2} = 5.93 \text{ kN}$
 $\theta = 77.8^\circ$
 $M_{R_A} = 34.8 \text{ kN} \cdot \text{m} \curvearrowright$
- 4-106.** $F_R = 5.93 \text{ kN}$
 $\theta = 77.8^\circ$
 $M_{R_B} = 11.6 \text{ kN} \cdot \text{m} \curvearrowright$
- 4-107.** $F_R = 29.9 \text{ lb}$
 $\theta = 78.4^\circ$
 $M_{R_O} = 214 \text{ lb} \cdot \text{in.} \curvearrowright$
- 4-109.** $F_R = \sqrt{533.01^2 + 100^2} = 542 \text{ N}$
 $\theta = 10.6^\circ$
 $(M_R)_A = 441 \text{ N} \cdot \text{m} \curvearrowright$
- 4-110.** $F_R = 50.2 \text{ kN}$
 $\theta = 84.3^\circ$
 $(M_R)_A = 239 \text{ kN} \cdot \text{m} \curvearrowright$
- 4-111.** $F_R = 461 \text{ N}$
 $\theta = 49.4^\circ$
 $(M_R)_O = 438 \text{ N} \cdot \text{m} \curvearrowright$
- 4-113.** $\mathbf{F}_R = \{2\mathbf{i} - 10\mathbf{k}\} \text{ kN}$
 $(\mathbf{M}_R)_O = \mathbf{r}_{OB} \times \mathbf{F}_B + \mathbf{r}_{OC} \times \mathbf{F}_D$
 $= \{-6\mathbf{i} + 12\mathbf{j}\} \text{ kN} \cdot \text{m}$
- 4-114.** $\mathbf{F}_R = \{-210\mathbf{k}\} \text{ N}$
 $\mathbf{M}_{R_O} = \{-15\mathbf{i} + 225\mathbf{j}\} \text{ N} \cdot \text{m}$
- 4-115.** $\mathbf{F}_R = \{6\mathbf{i} - 1\mathbf{j} - 14\mathbf{k}\} \text{ N}$
 $\mathbf{M}_{R_O} = \{1.30\mathbf{i} + 3.30\mathbf{j} - 0.450\mathbf{k}\} \text{ N} \cdot \text{m}$
- 4-117.** $\mathbf{F}_2 = \{-1.768\mathbf{i} + 3.062\mathbf{j} + 3.536\mathbf{k}\} \text{ kN}$
 $\mathbf{F}_R = \{0.232\mathbf{i} + 5.06\mathbf{j} + 12.4\mathbf{k}\} \text{ kN}$
 $\mathbf{M}_{R_O} = \mathbf{r}_1 \times \mathbf{F}_1 + \mathbf{r}_2 \times \mathbf{F}_2$
 $= \{36.0\mathbf{i} - 26.1\mathbf{j} + 12.2\mathbf{k}\} \text{ kN} \cdot \text{m}$
- 4-118.** $F_R = 10.75 \text{ kip} \downarrow$
 $M_{R_A} = 99.5 \text{ kip} \cdot \text{ft} \curvearrowright$
 $d = 13.7 \text{ ft}$
- 4-119.** $F_R = 10.75 \text{ kip} \downarrow$
 $d = 9.26 \text{ ft}$
- 4-121.** $F_R = \sqrt{(100)^2 + (898.2)^2} = 904 \text{ lb}$
 $\theta = 6.35^\circ$
 $\phi = 23.6^\circ$
 $d = 6.10 \text{ ft}$
- 4-122.** $F_R = 197 \text{ lb}$
 $\theta = 42.6^\circ$
 $d = 5.24 \text{ ft}$
- 4-123.** $F_R = 197 \text{ lb}$
 $\theta = 42.6^\circ$
 $d = 0.824 \text{ ft}$
- 4-125.** $F_R = \sqrt{(42.5)^2 + (50.31)^2} = 65.9 \text{ lb}$
 $\theta = 49.8^\circ$
 $d = 2.10 \text{ ft}$
- 4-126.** $F_R = 65.9 \text{ lb}$
 $\theta = 49.8^\circ$
 $d = 4.62 \text{ ft}$

- 4-127. $F_R = 542 \text{ N}$
 $\theta = 10.6^\circ \searrow$
 $d = 0.827 \text{ m}$
- 4-129. $F_R = 140 \text{ kN} \downarrow$
 $-140y = -50(3) - 30(11) - 40(13)$
 $y = 7.14 \text{ m}$
 $x = 5.71 \text{ m}$
- 4-130. $F_R = 140 \text{ kN}$
 $x = 6.43 \text{ m}$
 $y = 7.29 \text{ m}$
- 4-131. $F_C = 600 \text{ N}$ $F_D = 500 \text{ N}$
- 4-133. $0 = 200(1.5 \cos 45^\circ) - F_B(1.5 \cos 30^\circ)$
 $F_B = 163 \text{ lb}$
 $F_C = 223 \text{ lb}$
- 4-134. $F_R = 215 \text{ kN}$
 $y = 3.68 \text{ m}$
 $x = 3.54 \text{ m}$
- 4-135. $F_A = 30 \text{ kN}$ $F_B = 20 \text{ kN}$ $F_R = 190 \text{ kN}$
- 4-137. $F_R = 26 \text{ kN}$
 $-26(y) = 6(650) + 5(750) - 7(600) - 8(700)$
 $y = 82.7 \text{ mm}$
 $x = 3.85 \text{ mm}$
- 4-138. $F_A = 18.0 \text{ kN}$ $F_B = 16.7 \text{ kN}$
 $F_R = 48.7 \text{ kN}$
- 4-139. $F_R = 808 \text{ lb}$
 $x = 3.52 \text{ ft}$ $y = 0.138 \text{ ft}$
 $M_W = -1003 \text{ lb} \cdot \text{ft}$
- 4-141. $F_R = 990 \text{ N}$
 $\mathbf{u}_{F_R} = -0.5051 \mathbf{i} + 0.3030 \mathbf{j} + 0.8081 \mathbf{k}$
 $M_R = 3.07 \text{ kN} \cdot \text{m}$ $x = 1.16 \text{ m}$
 $y = 2.06 \text{ m}$
- 4-142. $F_R = 75 \text{ kN} \downarrow$
 $\bar{x} = 1.20 \text{ m}$
- 4-143. $F_R = 30 \text{ kN} \downarrow$
 $\bar{x} = 3.4 \text{ m}$
- 4-145. $F_R = \frac{1}{2}w_0L \downarrow$
 $-\frac{1}{2}w_0L(\bar{x}) = -\frac{1}{2}w_0\left(\frac{L}{2}\right)\left(\frac{L}{6}\right) - \frac{1}{2}w_0\left(\frac{L}{2}\right)\left(\frac{2}{3}L\right)$
 $\bar{x} = \frac{5}{12}L$
- 4-146. $F_R = 3.90 \text{ kip} \uparrow$
 $d = 11.3 \text{ ft}$
- 4-147. $w_1 = 190 \text{ lb/ft}$
 $w_2 = 282 \text{ lb/ft}$
- 4-149. $\mathbf{F}_R = \{-108 \mathbf{i}\} \text{ N}$
 $\mathbf{M}_{RO} = -\left(1 + \frac{2}{3}(1.2)\right)(108) \mathbf{j}$
- $-\left(0.1 + \frac{1}{3}(1.2)\right)(108) \mathbf{k}$
 $\mathbf{M}_{RO} = \{-194 \mathbf{j} - 54 \mathbf{k}\} \text{ N} \cdot \text{m}$
- 4-150. $b = 4.50 \text{ ft}$
 $a = 9.75 \text{ ft}$
- 4-151. $F_R = 7 \text{ lb}$
 $\bar{x} = 0.268 \text{ ft}$
- 4-153. $F_R = 107 \text{ kN} \leftarrow$
 $\bar{z} = \frac{\int_0^z z w dz}{\int_0^z w dz}$
 $\bar{z} = \frac{\int_0^{4 \text{ m}} \left[(20z^{\frac{3}{2}})(10^3) \right] dz}{\int_0^{4 \text{ m}} (20z^{\frac{1}{2}})(10^3) dz}$
 $h = 1.60 \text{ m}$
- 4-154. $F_R = 10.7 \text{ kN} \downarrow$
 $\bar{x} = 1 \text{ m}$
- 4-155. $F_R = 577 \text{ lb}$, $\theta = 47.5^\circ \searrow$
 $M_{RA} = 2.20 \text{ kip} \cdot \text{ft} \curvearrowright$
- 4-157. $F_R = 80.6 \text{ kip} \uparrow$
 $80640\bar{x} = 34560(6) + \int_0^x (x+12) w dx$
 $\bar{x} = 14.6 \text{ ft}$
- 4-158. $F_R = 53.3 \text{ lb}$
 $\bar{x} = 1.60 \text{ ft}$
- 4-159. $w_{\max} = 18 \text{ lb/ft}$
 $F_R = 53.3 \text{ lb}$
 $x' = 2.40 \text{ ft}$
- 4-161. $(dF_R)_x = 62.5(1 + \cos \theta) \sin \theta d\theta$
 $F_R = 223 \text{ lb} \uparrow$
- 4-162. $F_R = 533 \text{ lb} \downarrow$
 $M_{RA} = 533 \text{ lb} \cdot \text{ft} \curvearrowright$
- 4-163. $d = 5.54 \text{ ft}$
- 4-165. $\mathbf{M}_O = \mathbf{r}_{OA} \times \mathbf{F} = \{298\mathbf{i} + 15.1\mathbf{j} - 200\mathbf{k}\} \text{ lb} \cdot \text{in}$
- 4-166. $M_A = 2.89 \text{ kip} \cdot \text{ft} \downarrow$
- 4-167. $\mathbf{M}_A = \{-59.7\mathbf{i} - 159\mathbf{k}\} \text{ N} \cdot \text{m}$
- 4-169. a. $\mathbf{M}_C = \mathbf{r}_{AB} \times (25 \mathbf{k})$
 $\mathbf{M}_C = \{-5\mathbf{i} + 8.75\mathbf{j}\} \text{ N} \cdot \text{m}$
 b. $\mathbf{M}_C = \mathbf{r}_{OB} \times (25 \mathbf{k}) + \mathbf{r}_{OA} \times (-25 \mathbf{k})$
 $\mathbf{M}_C = \{-5\mathbf{i} + 8.75\mathbf{j}\} \text{ N} \cdot \text{m}$
- 4-170. $F = 992 \text{ N}$
- 4-171. $\mathbf{F}_R = \{-80\mathbf{i} - 80\mathbf{j} + 40\mathbf{k}\} \text{ lb}$
 $\mathbf{M}_{RP} = \{-240\mathbf{i} + 720\mathbf{j} + 960\mathbf{k}\} \text{ lb} \cdot \text{ft}$
- 4-173. $M_z = \mathbf{k} \cdot (\mathbf{r}_{BA} \times \mathbf{F}) = \mathbf{k} \cdot (\mathbf{r}_{OA} \times \mathbf{F}) = -4.03 \text{ N} \cdot \text{m}$

Chapter 5

- 5-1.** W is the effect of gravity (weight) on the paper roll.
 N_A and N_B are the smooth blade reactions on the paper roll.
- 5-2.** N_A force of plane on roller.
 B_x, B_y force of pin on member.
- 5-3.** W is the effect of gravity (weight) on the dumpster.
 A_y and A_x are the reactions of the pin A on the dumpster.
 F_{BC} is the reaction of the hydraulic cylinder BC on the dumpster.
- 5-5.** C_y and C_x are the reactions of pin C on the truss.
 T_{AB} is the tension of cable AB on the truss.
3 kN and 4 kN force are the effect of external applied forces on the truss.
- 5-6.** W is the effect of gravity (weight) on the boom.
 A_y and A_x are the reactions of pin A on the boom.
 T_{BC} is the force reaction of cable BC on the boom.
The 1250 lb force is the suspended load reaction on the boom.
- 5-7.** A_x, A_y, N_B forces of cylinder on wrench.
- 5-9.** N_A, N_B, N_C forces of wood on bar.
10 lb forces of hand on bar.
- 5-10.** C_x, C_y forces of pin on drum.
 F_{AB} forces of pawl on drum gear.
500 lb forces of cable on drum.
- 5-11.** $N_B = 245$ N
 $N_A = 425$ N
- 5-13.**
 $T_{AB} \cos 30^\circ(2) + T_{AB} \sin 30^\circ(4) - 3(2) - 4(4) = 0$
 $T_{AB} = 5.89$ kN
 $C_x = 5.11$ kN
 $C_y = 4.05$ kN
- 5-14.** $T_{BC} = 11.1$ kip
 $A_x = 10.2$ kip
 $A_y = 6.15$ kip
- 5-15.** $N_B = 140$ lb
 $A_x = 140$ lb
 $A_y = 20$ lb
- 5-17.** $N_C = 5.77$ lb
 $10 \cos 30^\circ(13 - 1.732) - N_A(5 - 1.732) - 5.77(3.464) = 0$
 $N_A = 23.7$ lb
 $N_B = 12.2$ lb
- 5-18.** $F_{AB} = 401$ lb
 $C_x = 333$ lb
 $C_y = 722$ lb
- 5-19.** $(N_A)_r = 98.6$ lb, $(N_B)_r = 21.4$ lb
 $(N_A)_s = 100$ lb, $(N_B)_s = 20$ lb
- 5-21.** $T\left(\frac{3}{5}\right)(3) + T\left(\frac{4}{5}\right)(1) - 60(1) - 30 = 0$
 $T = 34.62$ kN
 $A_x = 20.8$ kN
 $A_y = 87.7$ kN
- 5-22.** $F_B = 4.19$ kip
 $A_x = 3.21$ kip
 $A_y = 1.97$ kip
- 5-23.** $N_C = 213$ N
 $A_x = 105$ N
 $A_y = 118$ N
- 5-25.** $N_B(3) - 300(1.5) = 0$
 $N_B = 150$ lb
 $A_y = 300$ lb
 $A_x = 150$ lb
- 5-26.** $F_{CD} = 131$ N
 $B_x = 34.0$ N
 $B_y = 95.4$ N
- 5-27.** $F_{AB} = 0.864$ kN
 $C_y = 6.56$ kN
 $C_x = 2.66$ kN
- 5-29.** $F_{BC}\left(\frac{4}{5}\right)(1.5) - 700(9.81)(d) = 0$
 $F_{BC} = 5722.5d$
 $F_A = \sqrt{(3433.5d)^2 + (4578d - 6867)^2}$
- 5-30.** $A_y = 50$ lb
 $N_B = 1.60$ kip
 $A_x = 1.51$ kip
- 5-31.** $F = 93.75$ lb
 $A_x = 1.42$ kip
 $A_y = 46.9$ lb
- 5-33.**
 $40\,000\left(\frac{3}{5}\right)(4) + 40\,000\left(\frac{4}{5}\right)(0.2) - 2000(9.81)(x) = 0$
 $x = 5.22$ m
 $C_x = 32$ kN
 $C_y = 4.38$ kN
- 5-34.** $N_B = 1.04$ kN
 $A_x = 0$
 $A_y = 600$ N
- 5-35.** $d = 6$ ft
 $w = 267$ lb/ft
- 5-37.** $-490.5(3.15) + \frac{1}{2}w_B(0.3)(9.25) = 0$
 $w_B = 1.11$ kN/m
 $w_A = 1.44$ kN/m

- 5-38. $k = 1.33 \text{ kN/m}$
 $A_y = 300 \text{ N}$
 $A_x = 398 \text{ N}$
- 5-39. $\theta = 23.1^\circ$
 $A_y = 300 \text{ N}$
 $A_x = 353 \text{ N}$
- 5-41. $A_y = 750 \text{ lb}$
 $N_B(4 \sin 30^\circ) - 300(1) - 450(3)$
 $N_B = 825 \text{ lb}$
 $A_x = 825 \text{ lb}$
- 5-42. $N_B = 1.27 \text{ kN}$
 $A_x = 900 \text{ N}$
 $M_B = 227 \text{ N} \cdot \text{m}$
- 5-43. $T = 9.08 \text{ lb}$
- 5-45. $2500(1.4 + 8.4) - 500(15 \cos 30^\circ - 8.4)$
 $- N_A(2.2 + 1.4 + 8.4) = 0$
 $N_A = 1.85 \text{ kip}$
 $N_B = 1.15 \text{ kip}$
- 5-46. $W = 5.34 \text{ kip}$
- 5-47. $F_A = 432 \text{ lb}$ $F_B = 0$ $F_C = 432 \text{ lb}$
- 5-49. $50(9.81) \sin 20^\circ (0.5) + 50(9.81) \cos 20^\circ (0.3317)$
 $- P \cos \theta (0.5) - P \sin \theta (0.3317) = 0$
 For P_{\min} ; $\frac{dP}{d\theta} = 0$
 $\theta = 33.6^\circ$
 $P_{\min} = 395 \text{ N}$
- 5-50. $F = 5.20 \text{ kN}$
 $N_A = 17.3 \text{ kN}$
 $N_B = 24.9 \text{ kN}$
- 5-51. $\theta = 63.4^\circ$
 $T = 29.2 \text{ kN}$
- 5-53. $F_C(6 \cos \theta) - F_A(6 \cos \theta) = 0$
 $\theta = 12.8^\circ$
- 5-54. $k = 11.2 \text{ lb/ft}$
- 5-55. $\alpha = 1.02^\circ$
- 5-57. For disk E: $-P + N' \left(\frac{\sqrt{24}}{5} \right) = 0$
 For disk D: $N_A \left(\frac{4}{5} \right) - N' \left(\frac{\sqrt{24}}{5} \right) = 0$
 $N_A = 250 \text{ lb}$
 $N_B = 9.18 \text{ lb}$
 $N_C = 141 \text{ lb}$
- 5-58. $P_{\max} = 210 \text{ lb}$
 $N_A = 262 \text{ lb}$
 $N_C = 143 \text{ lb}$
- 5-59. $\alpha = 10.4^\circ$
- 5-61. $95.35 \sin 45^\circ (300) - F(400) = 0$
 $F = 50.6 \text{ N}$
 $A_x = 108 \text{ N}$
 $A_y = 48.8 \text{ N}$
- 5-62. $a = \sqrt{(4r^2 l)^{\frac{2}{3}} - 4r^2}$
- 5-63. $N_C = 289 \text{ N}$
 $N_A = 213 \text{ N}$
 $N_B = 332 \text{ N}$
- 5-65. $T_{CD}(2) - 6(1) = 0$
 $T_{CD} = 3 \text{ kN}$
 $T_{EF} = 2.25 \text{ kN}$
 $T_{AB} = 0.75 \text{ kN}$
- 5-66. $y = 0.667 \text{ m}$, $x = 0.667 \text{ m}$
- 5-67. $R_D = 22.6 \text{ kip}$
 $R_E = 22.6 \text{ kip}$
 $R_F = 13.7 \text{ kip}$
- 5-69. $C_y = 450 \text{ N}$
 $C_z(0.9 + 0.9) - 900(0.9) + 600(0.6) = 0$
 $C_z = 250 \text{ N}$
 $B_z = 1.125 \text{ kN}$
 $A_z = 125 \text{ N}$
 $B_x = 25 \text{ N}$
 $A_x + 25 - 500 = 0$
 $A_x = 475 \text{ N}$
- 5-70. $T_{BD} = T_{CD} = 117 \text{ N}$
 $A_x = 66.7 \text{ N}$
 $A_y = 0$
 $A_z = 100 \text{ N}$
- 5-71. $F_{DC} = 375 \text{ lb}$
 $E_x = 0$
 $E_z = 562.5 \text{ lb}$
 $A_x = 0$
 $A_y = 0$
 $A_z = 62.5 \text{ lb}$
- 5-73. $N_B(3) - 200(3) - 200(3 \sin 60^\circ) = 0$
 $N_B = 373 \text{ N}$
 $A_z = 333 \text{ N}$
 $T_{CD} + 373.21 + 333.33 - 350 - 200 - 200 = 0$
 $T_{CD} = 43.5 \text{ N}$
 $A_x = 0$
 $A_y = 0$
- 5-74. $F_{CD} = 0$
 $F_{EF} = 100 \text{ lb}$
 $F_{BD} = 150 \text{ lb}$
 $A_x = 0$

- $A_y = 0$
 $A_z = 100 \text{ lb}$
5-75. $F = 900 \text{ lb}$
 $A_x = 0$
 $A_y = 0$
 $A_z = 600 \text{ lb}$
 $M_{Ax} = 0$
 $M_{Az} = 0$
5-77. $T_{EF}(L) - W\left(\frac{L}{2}\right) - 0.75W\left(\frac{L}{2} - d \cos 45^\circ\right) = 0$
 $d = 0.550L$
 $T_{EF} = 0.583W$
5-78. $T_{AB} = 1.14W$
 $T_{EF} = 0.570W$
 $T_{CD} = 0.0398W$
5-79. $T_B = 16.7 \text{ kN}$
 $A_x = 0$
 $A_y = 5.00 \text{ kN}$
 $A_z = 16.7 \text{ kN}$
5-81. $A_x + \left(\frac{3}{\sqrt{54}}\right)F_{CB} = 0$
 $-55(3) + \left(\frac{6}{\sqrt{54}}\right)F_{CB}(3) = 0$
 $F_{CB} = 67.4 \text{ lb}$
 $A_x = -27.5 \text{ lb}$
 $A_y = -27.5 \text{ lb}$
 $A_z = 0$
 $M_{Ay} = 165 \text{ lb} \cdot \text{ft}$
 $M_{Az} = 0$
5-82. $F_{BC} = 175 \text{ lb}$
 $A_x = 130 \text{ lb}$
 $A_y = -10 \text{ lb}$
 $M_{Ax} = -300 \text{ lb} \cdot \text{ft}$
 $M_{Ay} = 0$
 $M_{Az} = -720 \text{ lb} \cdot \text{ft}$
5-83. $F_{BC} = 105 \text{ lb}$
5-85. $\Sigma M_{AB} = 0; T_C(r + r \cos 60^\circ) - W(r \cos 60^\circ)$
 $- P(d + r \cos 60^\circ) = 0$
 $d = \frac{r}{2} \left(1 + \frac{W}{P}\right)$
5-86. $d = \frac{r}{2}$
5-87. $P = 0.5 W$
5-89. $600(6) + 600(4) + 600(2) - N_B \cos 45^\circ(2) = 0$
 $N_B = 5.09 \text{ kN}$
 $A_x = 3.60 \text{ kN}$
 $A_y = 1.80 \text{ kN}$
5-90. $F = 354 \text{ N}$

- 5-91.** $N_A = 8.00 \text{ kN}$
 $B_x = 5.20 \text{ kN}$
 $B_y = 5.00 \text{ kN}$
5-93. $5(14) + 7(6) + 0.5(6) - 2(6) - A_y(14) = 0$
 $A_y = 7.36 \text{ kip}$
 $B_x = 0.5 \text{ kip}$
 $B_y = 16.6 \text{ kip}$
5-94. $T = 1.01 \text{ kN}$
 $D_y = -507.66 \text{ N}$
 $F_D = 982 \text{ N}$
5-95. $P = 100 \text{ lb}$
 $B_z = 40 \text{ lb}$
 $B_x = -35.7 \text{ lb}$
 $A_x = 136 \text{ lb}$
 $B_y = 0$
 $A_z = 40 \text{ lb}$

Chapter 6

- 6-1.** Joint D: $600 - F_{DC} \sin 26.57^\circ = 0$
 $F_{DC} = 1.34 \text{ kN (C)}$
 $F_{DE} = 1.20 \text{ kN (T)}$
 Joint C: $-F_{CE} \cos 26.57^\circ = 0$
 $F_{CE} = 0$
 $F_{CB} = 1.34 \text{ kN (C)}$
 Joint E: $900 - F_{EB} \sin 45^\circ = 0$
 $F_{EB} = 1.27 \text{ kN (C)}$
 $F_{EA} = 2.10 \text{ kN (T)}$
6-2. $F_{AD} = 849 \text{ lb (C)}$
 $F_{AB} = 600 \text{ lb (T)}$
 $F_{BD} = 400 \text{ lb (C)}$
 $F_{BC} = 600 \text{ lb (T)}$
 $F_{DC} = 1.41 \text{ kip (T)}$
 $F_{DE} = 1.60 \text{ kip (C)}$
6-3. $F_{AD} = 1.13 \text{ kip (C)}$
 $F_{AB} = 800 \text{ lb (T)}$
 $F_{BD} = 0$
 $F_{BC} = 800 \text{ lb (T)}$
 $F_{DC} = 1.13 \text{ kip (T)}$
 $F_{DE} = 1.60 \text{ kip (C)}$
6-5. Joint A: $F_{AE} \left(\frac{1}{\sqrt{5}}\right) - 166.22 = 0$
 $F_{AE} = 372 \text{ N (C)}$
 $F_{AB} = 332 \text{ N (T)}$
 Joint B: $F_{BC} - 332.45 = 0$ $F_{BC} = 332 \text{ N (T)}$
 $F_{BE} = 196 \text{ N (C)}$
 Joint E: $F_{EC} \cos 36.87^\circ$
 $- (196.2 + 302.47) \cos 26.57^\circ = 0$

- $F_{EC} = 558 \text{ N (T)}$
 $F_{ED} = 929 \text{ N (C)}$
 $F_{DC} = 582 \text{ N (T)}$
- 6-6.** $F_{CB} = 3.00 \text{ kN (T)}$
 $F_{CD} = 2.60 \text{ kN (C)}$
 $F_{DE} = 2.60 \text{ kN (C)}$
 $F_{DB} = 2.00 \text{ kN (T)}$
 $F_{BE} = 2.00 \text{ kN (C)}$
 $F_{BA} = 5.00 \text{ kN (T)}$
- 6-7.** $F_{CB} = 8.00 \text{ kN (T)}$
 $F_{CD} = 6.93 \text{ kN (C)}$
 $F_{DE} = 6.93 \text{ kN (C)}$
 $F_{DB} = 4.00 \text{ kN (T)}$
 $F_{BE} = 4.00 \text{ kN (C)}$
 $F_{BA} = 12.0 \text{ kN (T)}$
- 6-9.** Joint A: $F_{AF} \sin 45^\circ - P = 0$
Joint F: $F_{FB} \cos 45^\circ - 1.4142 P \cos 45^\circ = 0$
Joint E: $F_{ED} - 2P = 0$
Joint B: $F_{BD} \sin 45^\circ - 1.4142 P \sin 45^\circ = 0$
Joint C: $3P - N_C = 0$
 $2P = 800 \text{ lb} \quad P = 400 \text{ lb}$
 $3P = 600 \text{ lb} \quad P = 200 \text{ lb (controls)}$
- 6-10.** $F_{BG} = F_{CG} = F_{AG} = F_{DF} = F_{CF} = F_{EF} = 0$
 $F_{AB} = F_{DE} = 667 \text{ lb (C)}$
 $F_{BC} = F_{CD} = 667 \text{ lb (C)}$
- 6-11.** $F_{BG} = F_{GC} = F_{GA} = 0$
 $F_{DF} = 400 \text{ lb (C)}$
 $F_{FC} = F_{FE} = 333 \text{ lb (T)}$
 $F_{BC} = F_{BA} = 708 \text{ lb (C)}$
 $F_{DC} = F_{DE} = 825 \text{ lb (C)}$
- 6-13.** Joint A: $F_{AC} \sin \theta = 0$
Joint D: $2.60 P_2 \cos 22.62^\circ - F_{DC} = 0$
Joint B: $F_{BC} - 2.60 P_2 \sin 22.62^\circ = 0$
 $P_2 = 135 \text{ lb}$
- 6-14.** $F_{BG} = 0$
 $F_{BC} = 2450 \text{ lb (C)}$
 $F_{CG} = 1768 \text{ lb (T)}$
 $F_{CD} = 1250 \text{ lb (C)}$
 $F_{GD} = 1768 \text{ lb (C)}$
 $F_{GF} = 2500 \text{ lb (T)}$
 $F_{AE} = 2450 \text{ lb (C)}$
 $F_{AF} = 0$
 $F_{ED} = 1250 \text{ lb (C)}$
 $F_{EF} = 1768 \text{ lb (T)}$
 $F_{FD} = 1768 \text{ lb (C)}$
- 6-15.** $P = 2000 \text{ lb}$
- 6-17.** Joint A: $0.8333P \cos 73.74^\circ + P \cos 53.13^\circ - F_{AB} = 0$
Joint B: $0.8333P(\frac{4}{5}) - F_{BC}(\frac{4}{5}) = 0$
Joint D: $F_{DE} - 0.8333P - P \cos 53.13^\circ - 0.8333P \cos 73.74^\circ = 0$
 $P = 1.50 \text{ kN (controls)}$
- 6-18.** $F_{FA} = 1500 \text{ lb (C)}$
 $F_{FE} = 1200 \text{ lb (T)}$
 $F_{ED} = 1200 \text{ lb (T)}$
 $F_{EA} = 0$
 $F_{AD} = 1250 \text{ lb (C)}$
 $F_{AB} = 200 \text{ lb (C)}$
 $F_{BC} = 200 \text{ lb (C)}$
 $F_{BD} = 0$
 $F_{DC} = 250 \text{ lb (T)}$
- 6-19.** $F_{FA} = 75 \text{ lb (C)}$
 $F_{ED} = 60 \text{ lb (T)}$
 $F_{FE} = 60 \text{ lb (T)}$
 $F_{EA} = 55 \text{ lb (C)}$
 $F_{AD} = 154 \text{ lb (C)}$
 $F_{AB} = 63.3 \text{ lb (T)}$
 $F_{BC} = 63.3 \text{ lb (T)}$
 $F_{BD} = 55 \text{ lb (T)}$
 $F_{DC} = 79.2 \text{ lb (C)}$
- 6-21.** Joint D: $F_{DC} \sin 45^\circ + F_{DE} \cos 30.25^\circ - W = 0$
Joint A: $F_{AG} - 1.414 W \sin 45^\circ = 0$
 $m = 1.80 \text{ Mg}$
- 6-22.** $F_{CD} = 778 \text{ N (C)}$
 $F_{CB} = 550 \text{ N (T)}$
 $F_{DB} = 70.7 \text{ N (C)}$
 $F_{DE} = 500 \text{ N (C)}$
 $F_{EA} = 636 \text{ N (C)}$
 $F_{EB} = 70.7 \text{ N (T)}$
 $F_{BA} = 450 \text{ N (T)}$
- 6-23.** $F_{CD} = 286 \text{ N (C)}$
 $F_{CB} = 202 \text{ N (T)}$
 $F_{DB} = 118 \text{ N (T)}$
 $F_{DE} = 286 \text{ N (C)}$
 $F_{BE} = 118 \text{ N (T)}$
 $F_{BA} = 202 \text{ N (T)}$
 $F_{EA} = 286 \text{ N (C)}$
- 6-25.** Joint A: $1.4142 P \cos 45^\circ - F_{AB} = 0$
Joint D: $F_{DC} - 1.4142 P \cos 45^\circ = 0$
Joint F: $F_{FE} - 1.4142 P \sin 45^\circ = 0$
Joint E: $1.4142 P \sin 45^\circ - P - F_{EB} \sin 45^\circ = 0$

- Joint C: $F_{CB} = P$ (C)
 $P = 1$ kN (controls)
 $1.4142 P = 1.5$
 $P = 1.06$ kN
- 6-26.** $F_{CD} = 780$ lb (C)
 $F_{CB} = 720$ lb (T)
 $F_{DB} = 0$
 $F_{DE} = 780$ lb (C)
 $F_{BE} = 297$ lb (T)
 $F_{BA} = 722$ lb (T)
- 6-27.** $F_{FE} = 0.667P$ (T)
 $F_{FD} = 1.67P$ (T)
 $F_{AB} = 0.471P$ (C)
 $F_{AE} = 1.67P$ (T)
 $F_{AC} = 1.49P$ (C)
 $F_{BF} = 1.41P$ (T)
 $F_{BD} = 1.49P$ (C)
 $F_{EC} = 1.41P$ (T)
 $F_{CD} = 0.471P$ (C)
- 6-29.** Joint A: $F_{AF} - 2.404P\left(\frac{1.5}{\sqrt{3.25}}\right) = 0$
Joint B: $2.404P\left(\frac{1.5}{\sqrt{3.25}}\right) - P - F_{BF}\left(\frac{0.5}{\sqrt{1.25}}\right) - F_{BD}\left(\frac{0.5}{\sqrt{1.25}}\right) = 0$
Joint F: $F_{FD} + 2\left[1.863P\left(\frac{0.5}{\sqrt{1.25}}\right)\right] - 2.00P = 0$
 $P = 1.25$ kN
- 6-30.** $127^\circ \leq \theta \leq 196^\circ$
 $336^\circ \leq \theta \leq 347^\circ$
- 6-31.** $F_{BH} = 255$ lb (T)
 $F_{BC} = 130$ lb (T)
 $F_{HC} = 180$ lb (C)
- 6-33.** $A_y = 65.0$ kN
 $A_x = 0$
 $F_{BC}(4) + 20(4) + 30(8) - 65.0(8) = 0$
 $F_{BC} = 50.0$ kN (T)
 $F_{HI} = 35.0$ kN (C)
 $F_{HB} = 21.2$ kN (C)
- 6-34.** $F_{JK} = 11.1$ kN (C)
 $F_{CD} = 12$ kN (T)
 $F_{CJ} = 1.60$ kN (C)
- 6-35.** $F_{EF} = 12.9$ kN (T)
 $F_{FI} = 7.21$ kN (T)
 $F_{HI} = 21.1$ kN (C)
- 6-37.** $E_y = 7.333$ kN
 $7.333(4.5) - 8(1.5) - F_{FG}(3 \sin 60^\circ) = 0$
 $F_{FG} = 8.08$ kN (T)
 $F_{CD} = 8.47$ kN (C)
 $F_{CF} = 0.770$ kN (T)
- 6-38.** $F_{HI} = 42.5$ kN (T)
 $F_{HC} = 100$ kN (T)
 $F_{DC} = 125$ kN (C)
- 6-39.** $F_{GH} = 76.7$ kN (T)
 $F_{ED} = 100$ kN (C)
 $F_{EH} = 29.2$ kN (T)
- 6-41.** $A_y = 240$ lb
 $A_x = 100$ lb
 $240(8) - F_{BC} \cos 14.04^\circ(4) = 0$
 $F_{BC} = 495$ lb (T)
 $F_{HG} = 420$ lb (C)
 $F_{BG} = 200$ lb (C)
- 6-42.** AB, BC, CD, DE, HI, and GI are all zero-force members.
 $F_{IC} = 5.62$ kN (C)
 $F_{CG} = 9.00$ kN (T)
- 6-43.** AB, BC, CD, DE, HI, and GI are all zero-force members.
 $F_{JE} = 9.38$ kN (C)
 $F_{GF} = 5.625$ kN (T)
- 6-45.** $N_A = 1300$ lb
 $F_{KL}(8) + 1000(8) - 900(8) - 1300(24) = 0$
 $F_{KL} = 3800$ lb (C)
 $F_{CD} = 2600$ lb (T)
 $F_{LD} = 424$ lb (T)
- 6-46.** $F_{BC} = 3.25$ kN (C)
 $F_{CH} = 1.92$ kN (T)
- 6-47.** $F_{CD} = 1.92$ kN (C)
 $F_{GF} = 1.53$ kN (T)
 $F_{FD} = F_{FC} = 0$
- 6-49.** $A_x = 0$
 $A_y = 15.5$ kN
 $F_{KJ} \sin 33.69^\circ(4) + 5(2) + 3(4) - 15.5(4) = 0$
 $F_{KJ} = 18.0$ kN (C)
 $F_{KC} = 7.50$ kN (C)
 $F_{BC} = 15$ kN (T)
- 6-50.** $F_{AB} = 21.9$ kN (C), $F_{AG} = 13.1$ kN (T),
 $F_{BC} = 13.1$ kN (C), $F_{BG} = 17.5$ kN (T),
 $F_{CG} = 3.12$ kN (T), $F_{FG} = 11.2$ kN (T),
 $F_{CF} = 3.12$ kN (C), $F_{CD} = 9.38$ kN (C),
 $F_{DE} = 15.6$ kN (C), $F_{DF} = 12.5$ kN (T),
 $F_{EF} = 9.38$ kN (T)

- 6-51.** $F_{AB} = 43.8 \text{ kN (C)}$, $F_{AG} = 26.2 \text{ kN (T)}$
 $F_{BC} = 26.2 \text{ kN (C)}$, $F_{BG} = 35.0 \text{ kN (T)}$
 $F_{GC} = 6.25 \text{ kN (T)}$, $F_{GF} = 22.5 \text{ kN (T)}$
 $F_{ED} = 31.2 \text{ kN (C)}$, $F_{EF} = 18.8 \text{ kN (T)}$
 $F_{DC} = 18.8 \text{ kN (C)}$, $F_{DF} = 25.0 \text{ kN (T)}$
 $F_{FC} = 6.25 \text{ kN (C)}$
- 6-53.** $G_y = 1.60 \text{ kip}$
 $1.60(40) - F_{JI}(30) = 0$
 $F_{JI} = 2.13 \text{ kip (C)}$
 $F_{DE} = 2.13 \text{ kip (T)}$
- 6-54.** $F_{CA} = 833 \text{ lb (T)}$
 $F_{CB} = 667 \text{ lb (C)}$
 $F_{CD} = 333 \text{ lb (T)}$
 $F_{AD} = F_{AB} = 354 \text{ lb (C)}$
 $F_{DB} = 50 \text{ lb (T)}$
- 6-55.** $F_{CA} = 1000 \text{ lb (C)}$
 $F_{CD} = 406 \text{ lb (T)}$
 $F_{CB} = 344 \text{ lb (C)}$
 $F_{AB} = F_{AD} = 424 \text{ lb (T)}$
 $F_{DB} = 544 \text{ lb (C)}$
- 6-57.** Joint D: $-\frac{1}{3}F_{AD} + \frac{5}{\sqrt{31.25}}F_{BD}$
 $+ \frac{1}{\sqrt{7.25}}F_{CD} - 200 = 0$
 $F_{AD} = 343 \text{ N (T)}$
 $F_{BD} = 186 \text{ N (T)}$
 $F_{CD} = 397 \text{ N (C)}$
 Joint C: $F_{BC} - \frac{1}{\sqrt{7.25}}(397.5) = 0$
 $F_{BC} = 148 \text{ N (T)}$
 $F_{AC} = 221 \text{ N (T)}$
 $F_{EC} = 295 \text{ N (C)}$
- 6-58.** $F_{BC} = 1.15 \text{ kN (C)}$
 $F_{DF} = 4.16 \text{ kN (C)}$
 $F_{BE} = 4.16 \text{ kN (T)}$
- 6-59.** $F_{CF} = 0$
 $F_{CD} = 2.31 \text{ kN (T)}$
 $F_{ED} = 3.46 \text{ kN (T)}$
 $F_{AB} = 3.46 \text{ kN (C)}$
- 6-61.** $D_x = 100 \text{ lb}$
 $C_y = 650 \text{ lb}$
 $E_x = 550 \text{ lb}$
 $F_x = 150 \text{ lb}$
 $F_y = 650 \text{ lb}$
 $F_z = 700 \text{ lb}$
- Joint C: $F_{CB} = 0$
 $F_{CD} = 650 \text{ lb (C)}$
 $F_{CF} = 0$
 Joint F: $F_{BF} = 225 \text{ lb (T)}$
 $F_{DF} = 1230 \text{ lb (T)}$
 $F_{EF} = 525 \text{ lb (C)}$
- 6-62.** $F_{AE} = F_{AC} = 220 \text{ N (T)}$
 $F_{AB} = 583 \text{ N (C)}$
 $F_{BD} = 707 \text{ N (C)}$
 $F_{BE} = F_{BC} = 141 \text{ N (T)}$
- 6-63.** $F = 170 \text{ N}$
- 6-65.** Joint F: F_{FG} , F_{FD} , and F_{FC} are lying in the same plane.
 $F_{FE} \cos \theta = 0$ $F_{FE} = 0$
 Joint E: F_{EG} , F_{EC} , and F_{EB} are lying in the same plane.
 $F_{ED} \cos \theta = 0$ $F_{ED} = 0$
- 6-66.** $F_{GD} = 157 \text{ lb (T)}$
 $F_{GE} = 505 \text{ lb (C)}$
 $F_{FD} = 0$
- 6-67.** $P = 12.5 \text{ lb}$
- 6-69.** Apply the force equation of equilibrium along the y axis of each pulley
 $2P + 2R + 2T - 50(9.81) = 0$
 $P = 18.9 \text{ N}$
- 6-70.** $P = 5 \text{ lb}$
- 6-71.** $P = 25.0 \text{ lb}$
 $F_A = P = 25.0 \text{ lb}$ $F_B = 60.0 \text{ lb}$
- 6-73.** $N_B(0.8) - 900 = 0$
 $N_B = 1125 \text{ N}$
 $A_x = 795 \text{ N}$
 $A_y = 795 \text{ N}$
 $C_x = 795 \text{ N}$
 $C_y = 1.30 \text{ kN}$
 $M_C = 1.25 \text{ kN} \cdot \text{m}$
- 6-74.** $A_y = 60 \text{ lb}$
 $C_y = 161 \text{ lb}$
 $C_x = 90 \text{ lb}$
 $A_x = 161 \text{ lb}$
- 6-75.** $C_y = 5.00 \text{ kN}$
 $B_y = 15.0 \text{ kN}$
 $M_A = 30.0 \text{ kN} \cdot \text{m}$
 $A_y = 5.00 \text{ kN}$
 $A_x = 0$
- 6-77.** $C_x = 100 \text{ lb}$ $B_y = 449 \text{ lb}$
 $C_y = 273.6 \text{ lb}$ $A_x = 92.3 \text{ lb}$

- $A_y = 186 \text{ lb}$
 $M_A = 359 \text{ lb} \cdot \text{ft}$
- 6-78.** $A_y = 300 \text{ N}$
 $A_x = 300 \text{ N}$
 $C_x = 300 \text{ N}$
 $C_y = 300 \text{ N}$
- 6-79.** $N_D = 333 \text{ N}$
 $A_x = 333 \text{ N}$
 $A_y = 100 \text{ N}$
- 6-81.** Segment BD : $B_y = 30 \text{ kip}$
 $D_x = 0$
 $D_y = 30 \text{ kip}$
 Segment ABC : $C_y = 135 \text{ kip}$
 $A_x = 0$
 $A_y = 75 \text{ kip}$
 Segment DEF : $F_y = 135 \text{ kip}$
 $E_x = 0$
 $E_y = 75 \text{ kip}$
- 6-82.** $N_C = 12.7 \text{ kN}$
 $A_x = 12.7 \text{ kN}$
 $A_y = 2.94 \text{ kN}$
 $N_D = 1.05 \text{ kN}$
- 6-83.** $A_x = 167 \text{ N}$
 $A_y = 1.17 \text{ kN}$
 $C_x = 1.33 \text{ kN}$
 $C_y = 833 \text{ N}$
- 6-85.** Member AB , $F_{BG} = 264.9 \text{ N}$
 Member EFG , $F_{ED} = 158.9 \text{ N}$
 Member CDI , $m_s = 1.71 \text{ kg}$
- 6-86.** $m_L = 106 \text{ kg}$
- 6-87.** $F_{FB} = 1.94 \text{ kN}$
 $F_{BD} = 2.60 \text{ kN}$
- 6-89.** Member AB : $F_{BD} = 162.4 \text{ lb}$
 $B_x = 97.4 \text{ lb}$
 $B_y = 130 \text{ lb}$
 $A_x = 52.6 \text{ lb}$
 $A_y = 130 \text{ lb}$
- 6-90.** $E_x = 945 \text{ lb}$
 $E_y = 500 \text{ lb}$
 $D_x = 945 \text{ lb}$
 $D_y = 1000 \text{ lb}$
- 6-91.** $N_A = 4.60 \text{ kN}$
 $C_y = 7.05 \text{ kN}$
 $N_B = 7.05 \text{ kN}$
- 6-93.** Pulley E : $T = 350 \text{ lb}$
 Member ABC : $A_y = 700 \text{ lb}$
 Member DB : $D_x = 1.82 \text{ kip}$
 $D_y = 1.84 \text{ kip}$
 $A_x = 2.00 \text{ kip}$
- 6-94.** $W_s = 3.35 \text{ lb}$
- 6-95.** $F = 562.5 \text{ N}$
- 6-97.** $80 - N_G \cos 36.03^\circ - N_C \cos 36.03^\circ = 0$
 $N_B - N_C = 49.5 \text{ N}$
- 6-98.** $M = 2.43 \text{ kN} \cdot \text{m}$
- 6-99.** $F = 5.07 \text{ kN}$
- 6-101.** Member ABC
 $A_y = 245 \text{ N}$
 Member CD
 $D_y = 245 \text{ N}$
 $D_x = 695 \text{ N}$
 $A_x = 695 \text{ N}$
- 6-102.** $F_{CD} = 1.01 \text{ kN}$
 $F_{ABC} = 319 \text{ N}$
- 6-103.** $A_y = 183 \text{ N}$
 $E_x = 0$
 $E_y = 417 \text{ N}$
 $M_E = 500 \text{ N} \cdot \text{m}$
- 6-105.** Member BC
 $C_y = 1.33 \text{ kN}$
 $B_y = 549 \text{ N}$
 Member ACD
 $C_x = 2.98 \text{ kN}$
 $A_y = 235 \text{ N}$
 $A_x = 2.98 \text{ kN}$
 $B_x = 2.98 \text{ kN}$
- 6-106.** $F_{AC} = 2.51 \text{ kip}$
 $F_{AB} = 3.08 \text{ kip}$
 $F_{AD} = 3.43 \text{ kip}$
- 6-107.** $F = 175 \text{ lb}$
 $N_C = 350 \text{ lb}$
 $F = 87.5 \text{ lb}$
 $N_C = 87.5 \text{ lb}$
- 6-109.** Clamp
 $C_x = 1175 \text{ N}$
 Handle
 $F = 370 \text{ N}$
 $F_{BE} = 2719.69 \text{ N}$
- 6-110.** $N_A = 284 \text{ N}$
- 6-111.** $W_C = 0.812W$

$$\begin{aligned} 6-113. \quad \Sigma M_E = 0; \quad W(x) - N_B\left(3b + \frac{3}{4}c\right) &= 0 \\ \Sigma M_A = 0; \quad F_{CD}(c) - \frac{Wx}{\left(3b + \frac{3}{4}c\right)}\left(\frac{1}{4}c\right) &= 0 \end{aligned}$$

$$\frac{Wx}{12b + 3c}(4b) + W\left(1 - \frac{x}{3b + \frac{3}{4}c}\right)(b) - W_1(a) = 0$$

$$W_1 = \frac{b}{a}W$$

$$6-114. \quad F_{IJ} = 9.06 \text{ kN (T)}$$

$$F_{BC} = 15.4 \text{ kN (C)}$$

$$6-115. \quad N_E = 187 \text{ N}$$

$$6-117. \quad l_{AB} = 861.21 \text{ mm}, \quad L_{CAB} = 76.41^\circ,$$

$$F_{AB} = 9.23 \text{ kN}$$

$$C_x = 2.17 \text{ kN}$$

$$C_y = 7.01 \text{ kN}$$

$$D_x = 0$$

$$D_y = 1.96 \text{ kN}$$

$$M_D = 2.66 \text{ kN} \cdot \text{m}$$

$$6-118. \quad A_x = 120 \text{ lb}$$

$$A_y = 0$$

$$N_C = 15.0 \text{ lb}$$

$$6-119. \quad A_x = 80 \text{ lb}$$

$$A_y = 80 \text{ lb}$$

$$B_y = 133 \text{ lb}$$

$$B_x = 333 \text{ lb}$$

$$C_x = 413 \text{ lb}$$

$$C_y = 53.3 \text{ lb}$$

$$6-121. \quad N_c = \frac{4P \sin^2 \theta}{\sin \phi}$$

$$M = \frac{4PL \sin^2 \theta}{\sin \phi} [\cos(\phi - \theta)]$$

$$6-122. \quad W_1 = 3 \text{ lb}$$

$$W_2 = 21 \text{ lb}$$

$$W_3 = 75 \text{ lb}$$

$$6-123. \quad P = 283 \text{ N}$$

$$B_x = D_x = 42.5 \text{ N}$$

$$B_y = D_y = 283 \text{ N}$$

$$B_z = D_z = 283 \text{ N}$$

$$6-125. \quad -\frac{6}{9}F_{DE}(3) + 180(3) = 0$$

$$F_{DE} = 270 \text{ lb}$$

$$B_z + \frac{6}{9}(270) - 180 = 0$$

$$B_z = 0$$

$$B_x = -30 \text{ lb}$$

$$B_y = -13.3 \text{ lb}$$

$$6-126. \quad A_z = 0$$

$$A_x = 172 \text{ N}$$

$$A_y = 115 \text{ N}$$

$$C_x = 47.3 \text{ N}$$

$$C_y = 61.9 \text{ N}$$

$$C_z = 125 \text{ N}$$

$$M_{Cy} = -429 \text{ N} \cdot \text{m}$$

$$M_{Cz} = 0$$

$$6-127. \quad F_B = 133 \text{ lb}$$

$$6-129. \quad F_{DB} = F_{BE} = 0$$

$$\text{Joint C: } F_{CB} = 17.9 \text{ kN (C)}$$

$$F_{CD} = 8.00 \text{ kN (T)}$$

$$\text{Joint D: } F_{DE} = 8.00 \text{ kN (T)}$$

$$\text{Joint B: } F_{BA} = 17.9 \text{ kN (C)}$$

$$\text{Joint A: } F_{AE} = 8.00 \text{ kN (T)}$$

$$6-130. \quad F_{BF} = 0$$

$$F_{BC} = 0$$

$$F_{BE} = 500 \text{ lb (T)}$$

$$F_{AB} = 300 \text{ lb (C)}$$

$$F_{AC} = 583 \text{ lb (T)}$$

$$F_{AD} = 333 \text{ lb (T)}$$

$$F_{AE} = 667 \text{ lb (C)}$$

$$F_{DE} = 0$$

$$F_{EF} = 300 \text{ lb (C)}$$

$$F_{CD} = 300 \text{ lb (C)}$$

$$F_{CF} = 300 \text{ lb (C)}$$

$$F_{DF} = 424 \text{ lb (T)}$$

$$6-131. \quad F_{BF} = 0$$

$$F_{BC} = 0$$

$$F_{BE} = 500 \text{ lb (T)}$$

$$F_{AB} = 300 \text{ lb (C)}$$

$$F_{AC} = 972 \text{ lb (T)}$$

$$F_{AD} = 0$$

$$F_{AE} = 367 \text{ lb (C)}$$

$$F_{DE} = 0$$

$$F_{EF} = 300 \text{ lb (C)}$$

$$F_{CD} = 500 \text{ lb (C)}$$

$$F_{CF} = 300 \text{ lb (C)}$$

$$F_{DF} = 424 \text{ lb (T)}$$

$$6-133. \quad \text{Member AC: } C_x = 402.6 \text{ N}$$

$$C_y = 97.4 \text{ N}$$

$$\text{Member AC: } A_x = 117 \text{ N}$$

$$A_y = 397 \text{ N}$$

$$\text{Member CB: } B_x = 97.4 \text{ N}$$

$$B_y = 97.4 \text{ N}$$

$$6-134. \quad P = \frac{kL}{2 \tan \theta \sin \theta} (2 - \csc \theta)$$

$$6-135. \quad A_x = 8.31 \text{ kip}$$

$$A_y = 0.308 \text{ kip}$$

$$E_x = 8.31 \text{ kip}$$

$$E_y = 5.69 \text{ kip}$$

Chapter 7

- 7-1.** $B_y = 1.00$ kip
 $A_y = 7.00$ kip
 $A_x = 0$
 $N_C = 0$
 $V_C = -1.00$ kip
 $M_C = 56.0$ kip·ft
 $N_D = 0$
 $V_D = -1.00$ kip
 $M_D = 48.0$ kip·ft
- 7-2.** $N_C = 0$
 $V_C = -386$ lb
 $M_C = -857$ lb·ft
 $N_D = 0$
 $V_D = 300$ lb
 $M_D = -600$ lb·ft
- 7-3.** $N_C = -1804$ lb
 $V_C = -125$ lb
 $M_C = 9750$ lb·ft
- 7-5.** $A_x = 400$ N
 $A_y = 96$ N
 $N_C = 400$ N
 $V_C = -96$ N
 $M_C = -144$ N·m
- 7-6.** $N_C = 0$
 $V_C = -1$ kN
 $M_C = 9$ kN·m
- 7-7.** $N_C = 0$
 $V_C = \frac{3w_0L}{8}$
 $M_C = -\frac{5}{48}w_0L^2$
- 7-9.** $N_C + 80 = 0$
 $N_C = -80$ lb
 $V_C = 0$
 $M_C + 80(6) = 0$
 $M_C = -480$ lb·in.
- 7-10.** $N_C = 0$
 $V_C = 0$
 $M_C = 1.5$ kN·m
- 7-11.** $N_C = 0$
 $V_C = 3.25$ kN
 $M_C = 9.375$ kN·m
 $N_D = 0$
 $V_D = 1$ kN
 $M_D = 13.5$ kN·m
- 7-13.** Member AB: $B_y = 500$ N
 Member BC: $B_x = 1258.33$ N
 $N_D = 1.26$ kN
 $V_D = 0$
 $M_D = 500$ N·m
- 7-14.** $N_E = -1.48$ kN
 $V_E = 500$ N
 $M_E = 1000$ N·m
- 7-15.** $N_D = 0$
 $V_D = 800$ lb
 $M_D = -1.60$ kip·ft
 $N_C = 0$
 $V_C = 0$
 $M_C = 800$ lb·ft
- 7-17.** $A_y = \frac{w}{6b}(2a + b)(b - a)$
 $\frac{a}{b} = \frac{1}{4}$
- 7-18.** $N_D = 4$ kN
 $V_D = -9$ kN
 $M_D = -18$ kN·m
 $N_E = 4$ kN
 $V_E = 3.75$ kN
 $M_E = -4.875$ kN·m
- 7-19.** $a = \frac{2}{3}L$
- 7-21.** $D_x = 0$
 $F_{BC} = 560$ lb
 $D_y = 540$ lb
 $E_y = 580$ lb
 $A_x = 0$
 $A_y = 520$ lb
 $N_F = 0$
 $V_F = 20$ lb
 $M_F = 1040$ lb·ft
 $N_G = 0$
 $V_G = -580$ lb
 $M_G = 1160$ lb·ft
- 7-22.** $N_D = 0$
 $V_D = -10.6$ kN
 $M_D = 42.5$ kN·m
- 7-23.** $N_D = 0$
 $V_D = 26.0$ N
 $M_D = 19.0$ N·m
 $V_E = 0$
 $N_E = 86.0$ N
 $M_E = 0$

- 7-25.** Use top segment of frame.
 $N_D = 200 \text{ lb}$
 $V_D = 0$
 $M_D = 900 \text{ lb} \cdot \text{ft}$
 $N_E = 360 \text{ lb}$
 $V_E = 120 \text{ lb}$
 $M_E = 1140 \text{ lb} \cdot \text{ft}$
- 7-26.** $N_C = -\frac{wL}{2} \csc \theta$
 $V_C = 0$
 $M_C = \frac{wL^2}{8} \cos \theta$
- 7-27.** $N_C = -1.91 \text{ kN}$
 $V_C = 0$
 $M_C = 382 \text{ N} \cdot \text{m}$
- 7-29.** Beam reaction
 $R = 700 \text{ lb}$
 $M_C = -17.8 \text{ kip} \cdot \text{ft}$
- 7-30.** $N_C = 1.75 \text{ kip}$
 $V_C = -844 \text{ lb}$
 $M_C = -844 \text{ lb} \cdot \text{ft}$
- 7-31.** $N_D = 844 \text{ lb}$
 $V_D = 1.06 \text{ kip}$
 $M_D = 1.06 \text{ kip} \cdot \text{ft}$
- 7-33.** $B_x = 29.39 \text{ N}$
 $B_y = 37.5 \text{ N}$
 $N_D = -29.4 \text{ N}$
 $V_D = 37.5 \text{ N}$
 $M_D = 8.89 \text{ N} \cdot \text{m}$
- 7-34.** $(N_C)_y = 0$
 $(V_C)_x = 104 \text{ lb}$
 $(V_C)_z = 10.0 \text{ lb}$
 $(M_C)_x = 20.0 \text{ lb} \cdot \text{ft}$
 $(M_C)_y = 72.0 \text{ lb} \cdot \text{ft}$
 $(M_C)_z = -178 \text{ lb} \cdot \text{ft}$
- 7-35.** $(N_C)_y = -350 \text{ lb}$
 $(V_C)_x = -150 \text{ lb}$
 $(V_C)_z = 700 \text{ lb}$
 $(M_C)_x = 1.40 \text{ kip} \cdot \text{ft}$
 $(M_C)_y = -1.20 \text{ kip} \cdot \text{ft}$
 $(M_C)_z = -750 \text{ lb} \cdot \text{ft}$
- 7-37.** $B_z = 550 \text{ N}$
 $B_x = 900 \text{ N}$
 $(N_C)_y = 0$
 $(V_C)_x = 450 \text{ N}$
 $(V_C)_z = -550 \text{ N}$
 $(M_C)_x = -825 \text{ N} \cdot \text{m}$
 $T_C = 30 \text{ N} \cdot \text{m}$
 $(M_C)_z = 675 \text{ N} \cdot \text{m}$
- 7-38.** $(V_D)_x = 116 \text{ kN}$
 $(N_D)_y = -65.6 \text{ kN}$
 $(V_D)_z = 0$
 $(M_D)_x = 49.2 \text{ kN} \cdot \text{m}$
 $(M_D)_y = 87.0 \text{ kN} \cdot \text{m}$
 $(M_D)_z = 26.2 \text{ kN} \cdot \text{m}$
- 7-39.** $(N_E)_x = 0$
 $(V_E)_y = 53.6 \text{ kN}$
 $(V_E)_z = -87.0 \text{ kN}$
 $(M_E)_x = 0$
 $(M_E)_y = -43.5 \text{ kN} \cdot \text{m}$
 $(M_E)_z = -26.8 \text{ kN} \cdot \text{m}$
- 7-41.** $0 \leq x < 4 \text{ m}$
 $V = 3 \text{ kN}$
 $M = \{3x\} \text{ kN} \cdot \text{m}$
 $4 \text{ m} < x \leq 6 \text{ m}$
 $V = -6 \text{ kN}$
 $M = \{36 - 6x\} \text{ kN} \cdot \text{m}$
 $M|_{x=4} = 12 \text{ kN} \cdot \text{m}$
- 7-42.** $x = 8^+, V = -833, M = 1333$
 $x = 12^+, V = -333, M = 0$
- 7-43.** $x = 0, V = 4 \text{ kN}$
 $M = -10 \text{ kN} \cdot \text{m}$
- 7-45.** For $V_{\max} = M_0/L, M_0 = 45 \text{ kN} \cdot \text{m}$
 For $M_{\max} = M_0/2, M_0 = 44 \text{ kN} \cdot \text{m}$
 $M_0 = 44 \text{ kN} \cdot \text{m}$
- 7-46.** $x = \left(\frac{3}{8}\right)L$
 $M = \frac{9}{128}w_0L^2$
 $x = L/2$
 $M = \frac{w_0L^2}{16}$
- 7-47.** $x = 1.75 \text{ m}$
 $M = 759 \text{ N} \cdot \text{m}$
- 7-49.** $0 \leq x < 5 \text{ m}$
 $V = 2.5 - 2x$
 $M = 2.5x - x^2$
 $5 \text{ m} < x < 10 \text{ m}$
 $V = -7.5$
 $M = -7.5x + 75$
- 7-50.** $V = 250(10 - x)$
 $M = 25(100x - 5x^2 - 6)$
- 7-51.** $x = 1.732 \text{ m}$
 $M_{\max} = 0.866 \text{ kN} \cdot \text{m}$
- 7-53.** $0 \leq x < 9 \text{ ft}$
 $V = 25 - 1.667x^2$
 $V = 0 \text{ at } x = 3.87 \text{ ft}$

- $M = 25x - 0.5556x^3$
 $M_{\max} = 64.5 \text{ lb} \cdot \text{ft}$
 $9 \text{ ft} < x < 13.5 \text{ ft}$
 $V = 0$
 $M = -180$
- 7-54.** $w = 22.2 \text{ lb/ft}$
- 7-55.** $V = \left\{ 48.0 - \frac{x^2}{6} \right\} \text{ kip}$
 $M = \left\{ 48.0x - \frac{x^3}{18} - 576 \right\} \text{ kip} \cdot \text{ft}$
 $V = \left\{ \frac{1}{6}(24 - x)^2 \right\} \text{ kip}$
 $M = \left\{ -\frac{1}{18}(24 - x)^3 \right\} \text{ kip} \cdot \text{ft}$
- 7-57.** $0 \leq x < 3 \text{ m}$
 $V = \left\{ -\frac{2}{3}x^2 - 4 \right\} \text{ kN}$
 $M = \left\{ -\frac{2}{9}x^3 - 4x \right\} \text{ kN} \cdot \text{m}$
 $3 \text{ m} < x \leq 6 \text{ m}$
 $V = \{ 24 - 4x \} \text{ kN}$
 $M = \{ -2(6 - x)^2 \} \text{ kN} \cdot \text{m}$
 $V|_{x=3 \text{ m}^-} = -10 \text{ kN}$
 $V|_{x=3 \text{ m}^+} = 12 \text{ kN}$
 $M|_{x=3 \text{ m}} = -18 \text{ kN} \cdot \text{m}$
- 7-58.** $w_0 = 21.8 \text{ lb/ft}$
- 7-59.** $w_0 = 8.52 \text{ kN/m}$
- 7-61.** $V = \{ 3000 - 500x \} \text{ lb}$
 $M = \{ 3000x - 250x^2 - 6750 \} \text{ lb} \cdot \text{ft}$
 $x = 6 \text{ ft}$
 $M|_{x=7.5 \text{ ft}} = 2250 \text{ lb} \cdot \text{ft}$
- 7-62.** $V = \frac{\pi \gamma r_0^2}{3L^2} \left[(L + x)^3 - L^3 \right]$
 $M = -\frac{\pi \gamma r_0^2}{12L^2} \left[(L + x)^4 - L^3(4x + L) \right]$
- 7-63.** $V_x = 0$
 $V_z = \{ 24.0 - 4y \} \text{ lb}$
 $M_x = \{ 2y^2 - 24y + 64.0 \} \text{ lb} \cdot \text{ft}$
 $M_y = 8.00 \text{ lb} \cdot \text{ft}$
 $M_z = 0$
- 7-65.** $x = 2^-, V = 675, M = 1350$
 $x = 4^+, V = 275, M = 1900$
 $x = 6, V = -625, M = 1250$
- 7-66.** $x = 2^+, V = 5, M = -10$
 $x = 6^-, V = -5, M = -10$
- 7-67.** $x = 2^+, V = -14.5, M = 7$
 $x = 4^+, V = 6, M = -22$
- 7-69.** $x = 2^-, V = 7.5, M = 15$
 $x = 4^+, V = -12.5, M = 10$
- 7-70.** $x = \left(\frac{L}{3}\right)^+, V = -P, M = PL$
- $x = \left(\frac{2L}{3}\right)^+, V = -2P, M = \left(\frac{2}{3}\right) PL$
- 7-71.** $x = 0.2^+, V = 96.7, M = -31$
- 7-73.** $x = 0, V = 1.76, M = 0$
 $x = 0.8^-, V = 0.16, M = 0.708$
 $x = 1, V = -3.84, M = 0$
- 7-74.** $x = 1^+, V = -9.17, M = -1.17$
 $x = 3^+, V = 15, M = -7.50$
- 7-75.** $x = 1.5^-, V = 250, M = 712.5$
- 7-77.** $x = 1^+, V = 175, M = -200$
 $x = 5^-, V = -225, M = -300$
- 7-78.** $x = 8^-, V = 1017, M = -1267$
 $x = 14.1, V = 0, M = 334$
- 7-79.** $x = 6, V = -900, M = -3000$
- 7-81.** $x = 0, V = 5.12, M = 0$
 $x = 9^-, V = 0.625, M = 25.9$
 $x = 9^+, V = -1.375, M = 25.9$
 $x = 18, V = -3.625, M = 0$
- 7-82.** $x = L^-, V = \frac{-2wL}{3}, M = \frac{-wL^2}{6}$
- 7-83.** $x = 3, V = -12, M = 12$
- 7-85.** $V_{\max} = 4w$
 $w = 2 \text{ kip/ft}$
 $M_{\max} = -6w$
 $w = 5 \text{ kip/ft}$
 Use $w = 2 \text{ kip/ft}$.
 $x = 6^+, V = 4w, M = -120 \text{ m}$
- 7-86.** $x = 3^+, V = 11.5, M = -21$
 $x = 6, V = 2.5, M = 0$
- 7-87.** $x = 300, V = 722, M = 277$
 $x = 900, V = -487, M = 350$
- 7-89.** Entire cable
 $T_{BD} = 78.2 \text{ lb}$
 Joint A: $T_{AC} = 74.7 \text{ lb}$
 Joint D: $T_{CD} = 43.7 \text{ lb}$
 $L = 15.7 \text{ ft}$
- 7-90.** $P = 72.0 \text{ lb}$
- 7-91.** $x_B = 3.98 \text{ ft}$
- 7-93.** $y_B = 3.53 \text{ m}$
 $T_{AB} = 6.05 \text{ kN}$
 $T_{BC} = 4.53 \text{ kN}$
 $T_{CD} = 4.60 \text{ kN}$
 $T_{\max} = T_{DE} = 8.17 \text{ kN}$
- 7-94.** $y_B = 2.43 \text{ m}$
 $T_{\max} = 157 \text{ N}$
- 7-95.** $y_B = 8.67 \text{ ft}$
 $y_D = 7.04 \text{ ft}$

$$7-97. \text{ Joint } B: \frac{13x_B - 15}{\sqrt{(x_B - 3)^2 + 64}} T_{BC} = 200$$

$$\text{Joint } C: \frac{30 - 2x_B}{\sqrt{(x_B - 3)^2 + 64}} T_{BC} = 102$$

$$x_B = 4.36 \text{ ft}$$

$$7-98. P = 71.4 \text{ lb}$$

$$7-99. w_0 = 0.846 \text{ kN/m}$$

$$7-101. 15 = \frac{w_0}{2 F_H} x^2$$

$$10 = \frac{w_0}{2 F_H} (25 - x)^2$$

$$w_0 = 264 \text{ lb/ft}$$

$$7-102. 4.42 \text{ kip}$$

$$7-103. h = 2.68 \text{ ft}$$

$$L = 13.4 \text{ ft}$$

$$7-105. \frac{dy}{dx} = \frac{w_0}{2 F_H} x$$

$$y = \frac{w_0}{4 F_H} x^2$$

$$y = 75 \text{ m at } x = x_0$$

$$y = 150 \text{ m at } x = -(1000 - x_0)$$

$$w_0 = 77.8 \text{ kN/m}$$

$$7-106. y = 46.0(10^{-6})x^3 + 0.176x$$

$$T_{\max} = 48.7 \text{ kip}$$

$$7-107. T_{\max} = 5.36 \text{ kN}$$

$$L = 51.3 \text{ m}$$

$$7-109. y = \frac{F_H}{49.05} \left[\cosh \left(\frac{49.05}{F_H} x \right) - 1 \right] \text{ m}$$

$$L = 45 = 2 \left\{ \frac{F_H}{49.05} \sinh \left(\frac{49.05}{F_H} (20) \right) \right\}$$

$$F_H = 1153.41 \text{ N}$$

$$y = 23.5 [\cosh 0.0425x - 1] \text{ m}$$

$$T_{\max} = 1.60 \text{ kN}$$

$$7-111. L = 15.5 \text{ m}$$

$$7-113. \frac{dy}{dx} = \sinh 7.3575(10^{-3})x$$

$$y = 135.92 [\cosh 7.3575(10^{-3})x - 1]$$

$$h = 1.47 \text{ m}$$

$$7-114. \text{ Total length} = 55.6 \text{ ft}$$

$$h = 10.6 \text{ ft}$$

$$7-115. x = 2^-, V = 4.86, M = 9.71$$

$$x = 5^+, V = -1.14, M = 2.29$$

$$7-117. F_{BC} = 310.58 \text{ N}$$

Segment CE

$$N_E = 80.4 \text{ N}$$

$$V_E = 0$$

$$M_E = 112.5 \text{ N} \cdot \text{m}$$

Segment CD

$$N_D = -220 \text{ N}$$

$$V_D = -220 \text{ N}$$

$$M_D = -54.9 \text{ N} \cdot \text{m}$$

$$7-118. a = 0.366L$$

$$7-119. T_{\max} = 76.7 \text{ lb}$$

$$7-121. F_{CD} = 6.364 \text{ kN}$$

$$A_y = 1.50 \text{ kN}$$

$$0 \leq x < 3 \text{ m}$$

$$V = 1.50 \text{ kN}$$

$$M = \{1.50x\} \text{ kN} \cdot \text{m}$$

$$3 \text{ m} < x \leq 6 \text{ m}$$

$$V = -4.50 \text{ kN}$$

$$M = \{27.0 - 4.50x\} \text{ kN} \cdot \text{m}$$

$$7-122. 0 \leq x < 2 \text{ m}$$

$$V = \{5.29 - 0.196x\} \text{ kN}$$

$$M = \{5.29x - 0.0981x^2\} \text{ kN} \cdot \text{m}$$

$$2 \text{ m} < x \leq 5 \text{ m}$$

$$V = \{-0.196x - 2.71\} \text{ kN}$$

$$M = \{16.0 - 2.71x - 0.0981x^2\} \text{ kN} \cdot \text{m}$$

$$7-123. 0^\circ \leq \theta \leq 180^\circ$$

$$V = 150 \sin \theta - 200 \cos \theta$$

$$N = 150 \cos \theta + 200 \sin \theta$$

$$M = 150 \cos \theta + 200 \sin \theta - 150$$

$$0 \leq y \leq 2 \text{ ft}$$

$$V = 200 \text{ lb}$$

$$N = -150 \text{ lb}$$

$$M = -300 - 200y$$

$$7-125. F_{CD} = 86.6 \text{ lb}$$

$$V_D = M_D = 0$$

$$N_D = F_{CD} = -86.6 \text{ lb}$$

$$N_E = 0$$

$$V_E = 28.9 \text{ lb}$$

$$M_E = 86.6 \text{ lb} \cdot \text{ft}$$

$$7-126. s = 18.2 \text{ ft}$$

$$7-127. l = 238 \text{ ft}$$

$$h = 93.75 \text{ ft}$$

Chapter 8

$$8-1. P \cos 30^\circ + 0.25N - 50(9.81) \sin 30^\circ = 0$$

$$P = 140 \text{ N}$$

$$N = 494.94 \text{ N}$$

$$8-2. P = 474 \text{ N}$$

$$8-3. \mu_s = 0.256$$

$$8-5. 180(10 \cos \theta) - 0.4(180)(10 \sin \theta) - 180(3) = 0$$

$$\theta = 52.0^\circ$$

- 8-6. $\mu_s = 0.231$
- 8-7. Yes, the pole will remain stationary.
- 8-9. $30(13 \cos \theta) - 9(26 \sin \theta) = 0$
 $d = 13.4 \text{ ft}$
- 8-10. $P = 15 \text{ lb}$
- 8-11. $P = 1 \text{ lb}$
- 8-13. $F_B = 280 \text{ N}$
 $N_B = 700 \text{ N}$
 $P = 350 \text{ N}$
- 8-14. $\mu_s = 0.577$
- 8-15. $F_B = 200 \text{ N}$
- 8-17. $N_D = 95.38 \text{ lb}$
 Boy does not slip.
 $F_D = 36.9 \text{ lb}$
 $A_y = 468 \text{ lb}$
 $B_x = 34.6 \text{ lb}$
 $B_y = 228 \text{ lb}$
- 8-18. $\mu_s = 0.595$
- 8-19. $\theta = 10.6^\circ$ $x = 0.184 \text{ ft}$
- 8-21. $N_A = 200 \cos \theta$
 $N_B = 150 \cos \theta$
 $\theta = 16.3^\circ$
 $F_{CD} = 8.23 \text{ lb}$
- 8-22. $n = 12$
- 8-23. $P = 0.990 \text{ lb}$
- 8-25. Assume $P = 100 \text{ lb}$
 $N = 160 \text{ lb}$
 $x = 1.44 \text{ ft} < 1.5 \text{ ft}$
 $P = 100 \text{ lb}$
- 8-26. $P = 45.0 \text{ lb}$
 $\mu'_s = 0.300$
- 8-27. The man is capable of moving the refrigerator.
 The refrigerator slips.
- 8-29. $P = 29.5 \text{ N}$
 $N_A = 12.9 \text{ N}$ $N_B = 72.4 \text{ N}$
- 8-30. Tractor can move log.
- 8-31. $W = 836 \text{ lb}$
- 8-33. $F_A = 17.32 \text{ lb}$
 $N_A = 130 \text{ lb}$
 The bar will not slip.
- 8-34. $\theta = \tan^{-1}\left(\frac{1 - \mu_A \mu_B}{2\mu_A}\right)$
- 8-35. $P = 0.127 \text{ lb}$
- 8-37. $N = wa \cos \theta$
 $b = 2a \sin \theta$
- 8-38. $h = 0.48 \text{ m}$
- 8-39. $\theta = 33.4^\circ$
 $\mu_s = 0.3$
- 8-41. $F_A = 0.3714 F_{CA}$
 $N_A = 0.9285 F_{CA}$
 $\mu_s = 0.4$
- 8-42. He can move the crate.
- 8-43. $\mu'_s = 0.376$
- 8-45. $N_A = 551.8 \text{ N}$
 $B_x = 110.4 \text{ N}$
 $B_y = 110.4 \text{ N}$
 $M = 77.3 \text{ N} \cdot \text{m}$
- 8-46. $F_A = 71.4 \text{ N}$
- 8-47. $P = 589 \text{ N}$
- 8-49. $T = 11\,772 \text{ N}$
 $N_l = 9.81 m_l$
 $m_l = 1500 \text{ kg}$
- 8-50. $m_l = 800 \text{ kg}$
- 8-51. $P = 1.02 \text{ kN}$
- 8-53. $N = 48.6 \text{ lb}$
 Slipping of board on saw horse $P_x = 24.3 \text{ lb}$.
 Slipping at ground $P_x = 19.08 \text{ lb}$.
 Tipping $P_x = 21.2 \text{ lb}$.
 The saw horse will start to slip.
- 8-54. The saw horse will start to slip.
- 8-55. $\mu_s = 0.304$
- 8-57. $P = 60 \text{ lb}$
 $N' = 150 \text{ lb}$
 $F' = 60 \text{ lb}$
- 8-58. $P = 90 \text{ lb}$
- 8-59. $\theta = 16.0^\circ$
- 8-61. $N_C = 377.31 \text{ N}$
 $N_D = 188.65 \text{ N}$
 $M = 90.6 \text{ N} \cdot \text{m}$
 $N_A = 150.92 \text{ N}$
 $N_B = 679.15 \text{ N}$
 $F_B = 37.73 \text{ N}$
- 8-62. $P = 45 \text{ lb}$
- 8-63. $P = 49.0 \text{ N}$
- 8-65. $N_B = 82.57 \text{ lb}$ $N_C = 275.23 \text{ lb}$
 $P = 90.7 \text{ lb}$
- 8-66. $P = 1.98 \text{ N}$
- 8-67. $P = 863 \text{ N}$
- 8-69. $N_A = 1212.18 \text{ N}$
 $N_C = 600 \text{ N}$
 $P = 1.29 \text{ kN}$
- 8-70. All blocks slip at the same time; $P = 625 \text{ lb}$
- 8-71. $P = 574 \text{ N}$

- 8-73.** $N_A = 0.5240W$
 $N_B = 1.1435W$
 $F_B = 0.05240W$
 $P = 0.0329W$
- 8-74.** $P = 1.38W$
- 8-75.** $P = 1.80 \text{ kN}$
- 8-77.** $\theta = 7.768^\circ$
 $\phi_s = 11.310^\circ$
 $F = 620 \text{ N}$
- 8-78.** $M = 5.69 \text{ lb} \cdot \text{in}$
- 8-79.** $M = 145 \text{ lb} \cdot \text{ft}$
- 8-81.** $\theta = 5.455^\circ$
 $\phi_s = 14.036^\circ$
 $F = 678 \text{ N}$
- 8-82.** $F = 71.4 \text{ N}$
- 8-83.** $F = 49.2 \text{ N}$
- 8-85.** $F_{CA} = F_{CB}$
 $F = 1387.34 \text{ N}$
 $F_{BD} = 1387.34 \text{ N}$
 $F_{AB} = 1962 \text{ N}$
 $\theta = 5.455^\circ$
 $\phi_s = 14.036^\circ$
 $F = 74.0 \text{ N}$
- 8-86.** $F = 174 \text{ N}$
- 8-87.** $N_C = 123 \text{ N}$
 $N_A = 42.6 \text{ N}$
- 8-89.** $T_B = 13.678 \text{ lb}$
 $F_C = 13.7 \text{ lb}$
 $N_B = 65.8 \text{ lb}$
 $F_B = 38.5 \text{ lb}$
- 8-90.** $F = 1.31 \text{ kN}$
 $F = 372 \text{ N}$
- 8-91.** $F = 4.60 \text{ kN}$
 $F = 16.2 \text{ kN}$
- 8-93.** $N = 185 \text{ lb}$
 $F = 136.9 \text{ lb}$
 Yes, just barely.
- 8-94.** $T_1 = 57.7 \text{ lb}$
- 8-95.** $\theta = 24.2^\circ$
- 8-97.** $F = 4.75P$
 $F' = 19.53P$
 $P = 42.3 \text{ N}$
- 8-98.** $M = 187 \text{ N} \cdot \text{m}$
 $T_A = 616.67 \text{ N}$
 $T_C = 150.00 \text{ N}$
- 8-101.** $T_2 = 1767.77 \text{ N}$
 $T_1 = 688.83$
- $(\mu_s)_{\text{req}} = 0.3$
 $M = 216 \text{ N} \cdot \text{m}$
- 8-102.** $P = 17.1 \text{ lb}$
- 8-103.** Since $F < F_{\text{max}} = 54 \text{ lb}$, the man will not slip, and he will successfully restrain the cow.
- 8-105.** $T = 486.55 \text{ N}$ $N = 314.82 \text{ N}$
 $\beta = (2n + 0.9167)\pi \text{ rad}$
 Thus, the required number of full turns is
 $n = 2$
- 8-106.** The man can hold the crate in equilibrium.
- 8-107.** $T_1 = 1.85 \text{ N}$
 $T_2 = 1.59 \text{ N}$
- 8-109.** For motion to occur, block A will have to slip.
 $P = 223 \text{ N}$
 $F_B = T = 36.79 \text{ N}$
- 8-110.** $F = 2.49 \text{ kN}$
- 8-111.** $W = 39.5 \text{ lb}$
- 8-113.** $T = 20.19 \text{ N}$
 $F_A = 16.2 \text{ N}$
 $N_A = 478.4 \text{ N}$
 $x = 0.00697 \text{ m} < 0.125 \text{ m}$
 No tipping occurs.
- 8-114.** $M = 304 \text{ lb} \cdot \text{in.}$
- 8-115.** $\mu_k = 0.0568$
- 8-117.** Apply Eq. 8-7.
 $F_{sp} = 1.62 \text{ kip}$
- 8-118.** $M = 270 \text{ N} \cdot \text{m}$
- 8-119.** $M = \frac{\mu_s PR}{2}$
- 8-121.** $N = \frac{P}{\cos \theta}$
 $A = \frac{\pi}{4 \cos \theta} (d_2^2 - d_1^2)$
 $M = \frac{\mu_s P}{3 \cos \theta} (d_2^3 - d_1^3)$
- 8-122.** $p_0 = 0.442 \text{ psi}$
 $F = 573 \text{ lb}$
- 8-123.** $M = \frac{2\mu_s PR}{3 \cos \theta}$
- 8-125.** $\tan \phi_k = \mu_k$
 $\sin \phi_k = \frac{\mu_k}{\sqrt{1 + \mu_k^2}}$
 $M = \left(\frac{\mu_k}{\sqrt{1 + \mu_k^2}} \right) pr$
- 8-126.** $P = 215 \text{ N}$
- 8-127.** $P = 179 \text{ N}$
- 8-129.** $\phi_s = 16.699^\circ$
 $m_B = 13.1 \text{ kg}$

- 8-130.** $(r_f)_A = 0.2$ in.
 $(r_f)_B = 0.075$ in.
- 8-131.** $(r_f)_A = 7.50$ mm
 $(r_f)_B = 3$ mm
- 8-133.** $r_f = 2.967$ mm
 $R = \sqrt{P^2 + (833.85)^2}$
 $P = 814$ N (exact)
 $P = 814$ N (approx.)
- 8-134.** $P = 42.2$ lb
- 8-135.** $\mu_s = 0.411$
- 8-137.** $\theta = 5.74^\circ$
 $P = 96.7$ N
- 8-138.** $P = 299$ N
- 8-139.** $P = 266$ N
- 8-141.** $P = \frac{(1200)(9.81)(0.2 + 0.4)}{2(15)} = 235$ N
- 8-142.** $P = 40$ lb
- 8-143.** $s = 0.750$ m
- 8-145. a)** $N_A = 5573.86$ N $T = 2786.93$ N
 $W = 6.97$ kN
b) $N_A = 6376.5$ N
 $N_B = 5886.0$ N
 $T = 6131.25$ N
 $W = 15.3$ kN
- 8-146. a)** $W = 1.25$ kN
b) $W = 6.89$ kN
- 8-147.** $m_B = 1.66$ kg
- 8-149.** $N_A = 1000$ lb
 $N_B = 2500$ lb
 $T = 1250$ lb
 $M = 2.50$ kip · ft
- 8-150.** $M = 2.21$ kip · ft
- 8-151.** $\theta = 35.0^\circ$
- 8-153.** $N = 7878.5$ lb
 $F = 1389.2$ lb
The wedges do not slip at contact surface AB .
 $N_C = 8000$ lb
 $F_C = 0$
The wedges are self-locking.

Chapter 9

- 9-1.** $dL = \frac{1}{2}\sqrt{y^2 + 4} dy$
 $dm = \sqrt{y^2 + 4} dy$
 $m = 11.8$ kg
 $\bar{x} = 1.64$ m
 $\bar{y} = 2.29$ m
- 9-2.** $A_x = 0$
 $A_y = 26.6$ lb
 $M_A = 32.7$ lb · ft
- 9-3.** $\bar{x} = 0.546$ m
 $O_x = 0$
 $O_y = 7.06$ N
 $M_O = 3.85$ N · m
- 9-5.** $dm = m_0 \left(1 + \frac{x}{L}\right) dx$
 $m = \frac{3}{2} m_0 L$
 $\bar{x} = \frac{5}{9} L$
- 9-6.** $\bar{x} = 0$
 $\bar{y} = 1.82$ ft
- 9-7.** $\bar{x} = \frac{r \sin \alpha}{\alpha}$
- 9-9.** $dA = x^{3/2} dx$
 $\tilde{x} = x$
 $\tilde{y} = \frac{x^{3/2}}{2}$
 $A = 0.4$ m²
 $\bar{x} = 0.714$ m
 $\bar{y} = 0.3125$ m
- 9-10.** $A = 2.25$ ft²
 $\bar{x} = 2.4$ ft
 $\bar{y} = 0.857$ ft
- 9-11.** $A = \frac{4}{3} a^{1/2} b^{3/2}$
 $\bar{x} = \frac{3}{5} b$
 $\bar{y} = \frac{3}{4} \sqrt{ab}$
- 9-13.** $dA = x^2 dx$
 $\tilde{y} = \frac{1}{2} x^2$
 $\bar{y} = 1.33$ in.
- 9-14.** $A = c^2 \ln \frac{b}{a}$
 $\bar{x} = \frac{b-a}{\ln \frac{b}{a}}$
 $\bar{y} = \frac{c^2(b-a)}{2ab \ln \frac{b}{a}}$
- 9-15.** $A = \frac{1}{3} ah$
 $\bar{x} = \frac{3}{4} a$
 $\bar{y} = \frac{3}{10} h$
- 9-17.** $dA = \frac{a}{h^{1/2}} y^{1/2} dy$
 $\tilde{x} = \frac{a}{2h^{1/2}} y^{1/2}$ $\tilde{y} = y$
 $A = \frac{2}{3} ah$
 $\bar{x} = \frac{3}{8} a$
 $\bar{y} = \frac{3}{5} h$

9-18. $F_{BC} = 2.64 \text{ kN}$

$A_x = 0$

$A_y = 1.98 \text{ kN}$

9-19. $\bar{x} = -0.833a$

9-21. $dA = 2k(x - \frac{x^2}{2a}) dx$

$\tilde{x} = x$

$\bar{x} = \frac{5a}{8}$

9-22. $\bar{x} = 1.08 \text{ in.}$

9-23. $\bar{y} = 0.541 \text{ in.}$

9-25. $dA = (x - \frac{x^3}{9}) dx$

$\tilde{x} = x$

$\tilde{y} = \frac{1}{2}(x + \frac{x^3}{9})$

$A = 2.25 \text{ ft}^2$

$\bar{x} = 1.6 \text{ ft}$

$\bar{y} = 1.14 \text{ ft}$

9-26. $\bar{x} = 0.45 \text{ m}$

9-27. $\bar{y} = 0.45 \text{ m}$

9-29. $dA = y dx$

$\bar{y} = \frac{y}{2}$

$\bar{y} = \frac{n+1}{2(2n+1)} h$

9-30. $\bar{x} = 1.20 \text{ m}$

$\bar{y} = 0$

$N_B = 55.1 \text{ kN}$

$A_x = 24.6 \text{ kN}$

$A_y = 73.9 \text{ kN}$

9-31. $\bar{x} = 0.914 \text{ m}$

$\bar{y} = 0.357 \text{ m}$

9-33. $dA = (\frac{y}{2} - \frac{y^2}{4}) dy$

$\tilde{y} = y$

$\bar{y} = 1 \text{ ft}$

9-34. $m = \frac{3}{2} \rho_0 abt$

$\bar{x} = \frac{5}{9} a$

9-35. $\bar{y} = \frac{a}{2(10 - 3\pi)}$

9-37. $dV = \frac{\pi}{16} y^3 dy$

$\tilde{y} = y$

$\bar{y} = 3.2 \text{ m}$

9-38. $\bar{z} = \frac{2}{9} h$

9-39. $\bar{y} = 4.36 \text{ ft}$

9-41. $dm = \pi \rho_0 (a^2 - y^2 + ay - \frac{y^3}{a}) dy$

$\tilde{y} = y$

$\bar{y} = \frac{23}{55} a$

9-42. $V = \frac{\pi a^2 h}{6}$

$\bar{y} = \frac{3}{4} h$

$\bar{z} = \frac{a}{\pi}$

9-43. $m = \frac{\pi k r^4}{4}$

$\bar{z} = \frac{8}{15} r$

9-45. $\bar{x} = \frac{164.72(10^3)}{1361.37} = 121 \text{ mm}$

$\bar{y} = \frac{60(10^3)}{1361.37} = 44.1 \text{ mm}$

$\bar{z} = \frac{169.44(10^3)}{1361.37} = 124 \text{ mm}$

9-46. $\bar{x} = -0.590 \text{ in.}$

$\bar{y} = 1.07 \text{ in.}$

$\bar{z} = 2.14 \text{ in.}$

9-47. $\bar{x} = 0.0740 \text{ in.}$

$\bar{y} = 0.0370 \text{ in.}$

$\bar{z} = 0.157 \text{ in.}$

9-49. $\bar{x} = -50 \text{ mm}$

$\bar{y} = 88.6 \text{ mm}$

$\theta = \tan^{-1} \frac{50}{400 \sin 60^\circ - 88.60} = 10.89^\circ$

$\phi = 30^\circ - 10.89^\circ = 19.1^\circ$

9-50. $\bar{x} = 1.65 \text{ m}$

$\bar{y} = 9.24 \text{ m}$

$E_y = 342 \text{ N}$

$A_y = 1.32 \text{ kN}$

$A_x = 0$

9-51. $\bar{x} = 2.64 \text{ in.}$

$\bar{y} = 12 \text{ in.}$

9-53. $\bar{y} = \frac{3[2(6)(1)] + 5.5(6)(1) + 9(6)(1)}{2(6)(1) + 6(1) + 6(1)}$
 $= 5.125 \text{ in.}$

9-54. $\bar{y} = 2.00 \text{ in.}$

9-55. $\bar{y} = 2.57 \text{ in.}$

9-57. $\bar{x} = \frac{15.192}{6.84} = 2.22 \text{ m}$

$\bar{y} = \frac{9.648}{6.84} = 1.41 \text{ m}$

9-58. $\bar{x} = \frac{4(r_o^3 - r_i^3)}{3\pi(r_o^2 - r_i^2)}$

9-59. $\bar{x} = 4.83 \text{ in.}$

$\bar{y} = 2.56 \text{ in.}$

9-61. $\bar{x} = 0$

$\bar{y} = \frac{441.2(10^4)}{81(10^4)} = 544 \text{ mm}$

9-62. $\bar{x} = \frac{W_1}{W} b$

$\bar{y} = \frac{b(W_2 - W_1) \sqrt{b^2 - c^2}}{cW}$

9-63. $\bar{y} = 293 \text{ mm}$

9-65. $\Sigma m = 16.4 \text{ kg}$

$\bar{x} = \frac{2.4971(10^{-3})}{16.347(10^{-3})} = 153 \text{ mm}$

- $\bar{y} = -15 \text{ mm}$
 $\bar{z} = \frac{1.8221(10^{-3})}{16.347(10^{-3})} = 111 \text{ mm}$
- 9-66.** $\bar{x} = 5.07 \text{ ft}$
 $\bar{y} = 3.80 \text{ ft}$
- 9-67.** $\bar{x} = \frac{L + (n-1)d}{2}$
- 9-69.** $\bar{x} = \frac{216.000}{16.485.84} = 13.1 \text{ mm}$
 $\bar{z} = \frac{371.433.63}{16.485.84} = 22.5 \text{ mm}$
 $\theta = 30.2^\circ$
- 9-70.** $\bar{x} = 4.56 \text{ m}$
 $\bar{y} = 3.07 \text{ m}$
 $B_y = 4.66 \text{ kN}$
 $A_y = 5.99 \text{ kN}$
- 9-71.** $\bar{x} = 19.0 \text{ ft}$
 $\bar{y} = 11.0 \text{ ft}$
- 9-73.** $\bar{z} = \frac{1.0333\pi}{9.3333\pi} = 111 \text{ mm}$
- 9-74.** $\bar{z} = 754 \text{ mm}$
- 9-75.** $\bar{x} = 2.19 \text{ in.}$
 $\bar{y} = 2.79 \text{ in.}$
 $\bar{z} = 1.67 \text{ in.}$
- 9-77.** $\bar{x} = \frac{11.02(10^6)\pi}{172(10^3)\pi} = 64.1 \text{ mm}$
- 9-78.** $h = 80 \text{ mm}$ or $h = 48 \text{ mm}$
- 9-79.** $\bar{z} = 122 \text{ mm}$
- 9-81.** $A = 2\pi(184) = 1156 \text{ ft}^2$
- 9-82.** $V = 3485 \text{ ft}^3$
- 9-83.** $V = 101 \text{ ft}^3$
- 9-85.** $V = 2\pi \left[\left(\frac{4(3)}{3\pi} \left(\frac{\pi(3^2)}{4} \right) + 0.5(1.5)(1) \right) \right.$
 $\left. + 1.667 \left(\frac{2(1.5)}{2} \right) \right]$
 $= 77.0 \text{ m}^3$
- 9-86.** $A = 1365 \text{ m}^2$
- 9-87.** $A = 141 \text{ in}^2$
- 9-89.** $V = 2\pi[(112.5)(75)(375) + (187.5)(325)(75)]$
 $= 0.0486 \text{ m}^3$
- 9-90.** $A = 116 \text{ in}^2$
 $V = 50.6 \text{ in}^3$
- 9-91.** $A = 1.06 \text{ m}^2$
 $V = 0.0376 \text{ m}^3$
- 9-93.** $V_h = 2\pi[0.75(6) + 0.6333(0.780) + 0.1(0.240)]$
 $V_c = 20.5 \text{ m}^3$
- 9-94.** $R = 29.3 \text{ kip}$
- 9-95.** 2.26 gallons
- 9-97.** $V = 2\pi \left[\left(\frac{4(4)}{3\pi} \right) \left(\frac{1}{4}\pi(4)^2 \right) + (2)(8)(4) \right]$
 $= 536 \text{ m}^3$
- 9-98.** $V = 25.5 \text{ m}^3$
- 9-99.** $A = 43.18 \text{ m}^2$
 14.4 liters
- 9-101.** $A = 2\pi[7.5(\sqrt{241}) + 15(30)] = 3.56(10^3) \text{ ft}^2$
- 9-102.** $V = 22.1(10^3) \text{ ft}^3$
- 9-103.** $h = 106 \text{ mm}$
- 9-105.** $-176.580(2) + 73.575d\left(\frac{2}{3}d\right) = 0$
 $d = 2.68 \text{ m}$
- 9-106.** $d = 3.65 \text{ m}$
- 9-107.** $F_{CDEF} = 750 \text{ lb}$
 $F_{ABDC} = 1800 \text{ lb}$
- 9-109.** $h = 2.7071 - 0.7071y$
 $dF_R = (26.5567\sqrt{1-y^2} - 6.9367y\sqrt{1-y^2}) dy$
 $F_R = 41.7 \text{ kN}$
- 9-110.** $F_R = 225 \text{ lb}$
- 9-111.** $F_R = 450 \text{ lb}$
- 9-113.** $w_B = 39.24 \text{ kN}$
 $w_C = 58.86 \text{ kN}$
 $N_C = 13.1 \text{ kN}$
- 9-114.** $L = 2.31 \text{ m}$
- 9-115.** $m_A = 5.89 \text{ Mg}$
- 9-117.** $F_v = 39.24 \text{ kN}$
 $F_h = 176.58 \text{ kN}$
 $(W_{\text{con}})_p = 188.35 \text{ kN}$
 $(W_{\text{con}})_r = 282.53 \text{ kN}$
 F.S. = 2.66
- 9-118.** $x = 1.51 \text{ m}$
- 9-119.** $F_R = 170 \text{ kN}$
- 9-121.** $dA = x^2 dx$
 $\tilde{y} = \frac{x^2}{2}$
 $\bar{y} = 1.33 \text{ in.}$
- 9-122.** $\bar{y} = 87.5 \text{ mm}$
- 9-123.** $\bar{x} = \bar{y} = 0$
 $\bar{z} = \frac{2}{3}a$
- 9-125.** $\bar{x} = \frac{76.50}{27.998} = 2.73 \text{ in.}$
 $\bar{y} = \frac{39.833}{27.998} = 1.42 \text{ in.}$
- 9-126.** $\bar{x} = 0$
 $\bar{y} = 1.63 \text{ in.}$
- 9-127.** $\bar{y} = -0.262a$
- 9-129.** $dF_R = 6 \left(-\frac{240}{x+1} + 340 \right) dx$
 $F_R = 7.62 \text{ kN}$
 $\bar{x} = 2.74 \text{ m}$
 $\bar{y} = 3.00 \text{ m}$

Chapter 10

10-1. $dA = [2 - (4y)^{1/3}] dy$

$I_x = 0.533 \text{ m}^4$

10-2. $I_y = 2.67 \text{ m}^4$

10-3. $I_x = 0.0606 \text{ m}^4$

10-5. $dA = \left(2 - \frac{y^2}{2}\right) dy$

$I_x = 2.13 \text{ m}^4$

10-6. $I_y = 4.57 \text{ m}^4$

10-7. $I_x = 0.205 \text{ m}^4$

10-9. $dA = \left[1 - \left(\frac{y}{2}\right)^{1/4}\right] dy$

$I_x = 0.2051 \text{ m}^4$

$dA = 2x^4 dx$

$I_y = 0.2857 \text{ m}^4$

$J_O = 0.491 \text{ m}^4$

10-10. $I_x = 307 \text{ in}^4$

10-11. $I_y = 10.7 \text{ in}^4$

10-13. $dA = (2 - 2x^3) dx$

$I_y = 0.333 \text{ in}^4$

10-14. $I_x = 19.5 \text{ in}^4$

10-15. $I_y = 1.07 \text{ in}^4$

10-17. $dA = \left(h - \frac{h}{b}x\right) dx$

$I_y = \frac{1}{12}hb^3$

10-18. $I_x = \frac{2}{7}bh^3$

10-19. $I_y = \frac{2}{15}hb^3$

10-21. $dA = x^{1/3} dx$

$I_y = 307 \text{ in}^4$

10-22. $I_x = 9.05 \text{ in}^4$

10-23. $I_y = 30.9 \text{ in}^4$

10-25. $dA = (rd\theta) dr$

$I_y = \frac{\pi r_0^4}{8}$

10-26. $J_O = \frac{\pi r_0^4}{4}$

10-27. $\bar{y} = 2.20 \text{ in.}$

$I_{x'} = 57.9 \text{ in}^4$

10-29. $I_y = \frac{1}{12}(2)(6)^3 + 2\left[\frac{1}{12}(4)(1)^3 + 1(4)(1.5)^2\right]$

$= 54.7 \text{ in}^4$

10-30. $I_x = 76.6(10^6) \text{ mm}^4$

10-31. $I_y = 45.5(10^6) \text{ mm}^4$

10-33. $(I_y)_{\text{triangle}} = \left[\frac{1}{36}(200)(300)^3\right]$
 $+ \frac{1}{2}(200)(300)(200)^2]$

$+ \left[\frac{1}{12}(200)(300)^3 + 200(300)(450)^2\right]$

$+ \left[-\frac{\pi}{4}(75)^4 + (-\pi(75)^2(450)^2)\right]$

$= 10.3(10^9) \text{ mm}^4$

10-34. $\bar{y} = 22.5 \text{ mm}$

$I_{x'} = 34.4(10^6) \text{ mm}^4$

10-35. $I_{y'} = 122(10^6) \text{ mm}^4$

10-37. $I_y = \left[\frac{1}{12}(2)(6^3)\right] + 2\left[\frac{1}{12}(3)(1^3) + 3(1)(2.5)^2\right]$
 $= 74 \text{ in}^4$

10-38. $\bar{y} = 170 \text{ mm}$

$I_{x'} = 722(10)^6 \text{ mm}^4$

10-39. $I_x = 2.17(10^{-3}) \text{ m}^4$

10-41. Consider a large rectangle and a hole.

$I_x = 52.7(10^6) \text{ mm}^4$

10-42. $I_y = 2.51(10^6) \text{ mm}^4$

10-43. $\bar{y} = 2.00 \text{ in.}, I_{x'} = 64.0 \text{ in}^4$

10-45. Consider three segments.

$I_x = 548(10^6) \text{ mm}^4$

10-46. $I_y = 548(10^6) \text{ mm}^4$

10-47. $I_y = 914(10^6) \text{ mm}^4$

10-49. Consider three segments.

$I_{x'} = 124(10^6) \text{ mm}^4$

10-50. $I_{y'} = 1.21(10^9) \text{ mm}^4$

10-51. $I_x = 2.51(10^6) \text{ mm}^4$

10-53. $\bar{y} = \frac{61.75}{13} = 4.75 \text{ in.}$

$I_{x'} = 15.896 + 36.375 = 52.3 \text{ in}^4$

10-54. $I_x = 388 \text{ in}^4$

10-55. $I_x = 22.9(10^6) \text{ mm}^4$

10-57. Consider rectangular segments,

226 mm \times 12 mm, 100 mm \times 12 mm, and

150 mm \times 12 mm

$I_x = 115(10^6) \text{ mm}^4$

10-58. $I_y = 153(10^6) \text{ mm}^4$

10-59. $I_{x'} = 30.2(10^6) \text{ mm}^4$

10-61. $\bar{x} = \frac{x}{2}$

$\bar{y} = y$

$dA = x dy$

$I_{xy} = 0.667 \text{ in}^4$

10-62. $I_{xy} = \frac{a^2b^2}{8}$

10-63. $I_{xy} = 48 \text{ in}^4$

10-65. $dA = \frac{1}{8}(x^3 + 2x^2 + 4x) dx$

$\tilde{x} = x$

$\tilde{y} = \frac{y}{2}$

$I_{xy} = 3.12 \text{ m}^4$

- 10-66. $I_{xy} = 0.333 \text{ m}^4$
- 10-67. $I_{xy} = \frac{3}{16}b^2h^2$
- 10-69. $dA = x^{1/2}dx$, $\tilde{x} = x$, $\tilde{y} = \frac{y}{2}$
 $I_{xy} = 10.7 \text{ in}^4$
- 10-70. $I_{xy} = 35.7 \text{ in}^4$
- 10-71. $I_{xy} = 36.0 \text{ in}^4$
- 10-73. Consider three segments.
 $I_{xy} = 17.1(10^6) \text{ mm}^4$
- 10-74. $I_{xy} = -110 \text{ in}^4$
- 10-75. $\bar{x} = 48.2 \text{ mm}$
 $I_u = 112(10^6) \text{ mm}^4$
 $I_v = 258(10^6) \text{ mm}^4$
 $I_{uv} = -126(10^6) \text{ mm}^4$
- 10-77. Consider three segments.
 $I_{xy} = -13.05(10^6) \text{ mm}^4$
- 10-78. $I_u = 43.9 \text{ in}^4$
 $I_v = 23.6 \text{ in}^4$
 $I_{uv} = 17.5 \text{ in}^4$
- 10-79. $\bar{y} = 8.25 \text{ in.}$
 $I_u = 109 \text{ in}^4$
 $I_v = 238 \text{ in}^4$
 $I_{uv} = 111 \text{ in}^4$
- 10-81. $I_x = 107.83(10^6) \text{ mm}^4$
 $I_y = 9.907(10^6) \text{ mm}^4$
 $I_{xy} = -22.4(10^6) \text{ mm}^4$
 $I_{\max} = 113(10^6) \text{ mm}^4$, $(\theta_p)_1 = 12.3^\circ$
 $I_{\min} = 5.03(10^6) \text{ mm}^4$, $(\theta_p)_2 = -77.7^\circ$
- 10-82. $\bar{y} = 82.5 \text{ mm}$
 $I_u = 43.4(10^6) \text{ mm}^4$
 $I_v = 47.0(10^6) \text{ mm}^4$
 $I_{uv} = -3.08(10^6) \text{ mm}^4$
- 10-83. $\bar{x} = 48.2 \text{ mm}$
 $I_u = 112(10^6) \text{ mm}^4$
 $I_v = 258(10^6) \text{ mm}^4$
 $I_{uv} = -126(10^6) \text{ mm}^4$
- 10-85. $\bar{y} = 8.25 \text{ in.}$
 $I_{\text{avg}} = 173.72 \text{ in}^4$
 $R = 128.72 \text{ in}^4$
 $I_u = 109 \text{ in}^4$
 $I_v = 238 \text{ in}^4$
 $I_{uv} = 111 \text{ in}^4$
- 10-86. $\bar{x} = 1.68 \text{ in.}$
 $\bar{y} = 1.68 \text{ in.}$
 $I_{\max} = 31.7 \text{ in}^4$
- $I_{\min} = 8.07 \text{ in}^4$
 $(\theta_p)_1 = 45^\circ \curvearrowright$
 $(\theta_p)_2 = 45^\circ \curvearrowleft$
- 10-87. $I_{\max} = 113(10^6) \text{ mm}^4$
 $I_{\min} = 5.03(10^6) \text{ mm}^4$
 $(\theta_p)_1 = 12.3^\circ \curvearrowright$
 $(\theta_p)_2 = 77.7^\circ \curvearrowleft$
- 10-89. $dm = \rho\pi\left(r_0 - \frac{r_0}{h}z\right)^2 dz$
 $dI_z = \frac{1}{2}\rho\pi\left(r_0 - \frac{r_0}{h}z\right)^4 dz$
 $I_z = \frac{3}{10}mr_0^2$
- 10-90. $I_x = \frac{3}{10}mr^2$
- 10-91. $I_z = \frac{7}{18}ml^2$
- 10-93. $dm = \rho\pi(50x) dx$
 $dI_x = \frac{\rho\pi}{2}(2500x^2) dx$
 $k_x = 57.7 \text{ mm}$
- 10-94. $I_y = \frac{2}{5}mb^2$
- 10-95. $I_x = \frac{93}{10}mb^2$
- 10-97. $dI_z = \frac{\rho\pi}{8192}z^8 dz$
 $I_z = 87.7(10^3) \text{ kg} \cdot \text{m}^2$
- 10-98. $I_z = 63.2 \text{ slug} \cdot \text{ft}^2$
- 10-99. $I_y = 1.71(10^3) \text{ kg} \cdot \text{m}^2$
- 10-101. $0.5 = \frac{1.5(6) + 0.65[1.3(2)] + 0[L(2)]}{6 + 1.3(2) + L(2)}$
 $L = 6.39 \text{ m}$
 $I_O = 53.2 \text{ kg} \cdot \text{m}^2$
- 10-102. $I_z = 0.150 \text{ kg} \cdot \text{m}^2$
- 10-103. $I_y = 0.144 \text{ kg} \cdot \text{m}^2$
- 10-105. $\tilde{y} = \frac{1(3) + 2.25(5)}{3 + 5} = 1.78 \text{ m}$
 $I_G = 4.45 \text{ kg} \cdot \text{m}^2$
- 10-106. $I_z = 2.25 \text{ kg} \cdot \text{m}^2$
- 10-107. $I_x = 3.25 \text{ g} \cdot \text{m}^2$
- 10-109. $I_O = 84.94 \text{ slug} \cdot \text{ft}^2$
 $I_A = 222 \text{ slug} \cdot \text{ft}^2$
- 10-110. $I_O = 0.276 \text{ kg} \cdot \text{m}^2$
- 10-111. $I_O = 0.113 \text{ kg} \cdot \text{m}^2$
- 10-113. Consider four triangles and a rectangle.
 $I_y = 0.187d^4$
- 10-114. $I_x = \frac{1}{12}a^4$
- 10-115. $\bar{y} = 0.875 \text{ in.}$, $I_{x'} = 2.27 \text{ in}^4$
- 10-117. $dA = \frac{1}{4}(4 - x^2) dx$
 $I_y = 2.13 \text{ ft}^4$
- 10-118. $I_x = 0.610 \text{ ft}^4$

$$10-119. I_x = 914(10^6) \text{ mm}^4$$

$$I_x' = 146(10^6) \text{ mm}^4$$

$$10-121. dA = y^{1/3} dy$$

$$dI_{xy} = \frac{1}{2} y^{5/3} dy$$

$$I_{xy} = 0.1875 \text{ m}^4$$

Chapter 11

$$11-1. y_D = 2.4 \sin \theta$$

$$y_J = 2(2.4 \sin \theta) + b$$

$$F_{AD} = 3.92 \text{ kN}$$

$$11-2. \theta = 0^\circ \text{ and } \theta = 73.1^\circ$$

$$11-3. \theta = 41.2^\circ$$

$$11-5. x_B = 6 \cos \theta$$

$$y_C = 3 \sin \theta$$

$$F_{sp} = 10.0 \text{ lb}$$

$$11-6. F_S = 15 \text{ lb}$$

$$11-7. \theta = 24.9^\circ$$

$$11-9. y_D = 2(0.2 \cos \theta)$$

$$\delta y_A = 0.5 \delta \theta$$

$$F_E = 177 \text{ N}$$

$$11-10. F = 60 \text{ N}$$

$$11-11. P = 2k \tan \theta (2l \cos \theta - l_0)$$

$$11-13. y_C = 1 \sin \theta$$

$$y_A = 3 \sin \theta$$

$$\theta = 13.9^\circ$$

$$\theta = 90^\circ$$

$$11-14. m_t = m \left(\frac{x}{a} \right)$$

$$11-15. \theta = \cos^{-1} \left(\frac{a}{2L} \right)^{\frac{1}{3}}$$

$$11-17. y_{G_b} = 0.25 \sin \theta + b$$

$$y_{G_i} = 0.25 \sin \theta + a$$

$$x_C = 0.25 \cos \theta$$

$$k = 166 \text{ N/m}$$

$$11-18. F = 200 \text{ N}$$

$$11-19. \theta = 38.8^\circ$$

$$11-21. y_G = 0.5 \cos \theta$$

$$y_A = 1 \cos \theta$$

$$x_A = 1 \sin \theta$$

$$F_{sp} = 4.961 \text{ lb}$$

$$k = 10.8 \text{ lb/ft}$$

$$11-22. W_G = 2.5 \text{ lb}$$

$$11-23. x = 16 \text{ in.}$$

$$11-25. 5^2 = y_C^2 + 3^2 - 2(y_C)(3) \cos(90^\circ - \theta)$$

$$F = 259 \text{ lb}$$

$$11-26. x = 0.590 \text{ ft}$$

$$\frac{d^2V}{dx^2} = 12.2 > 0 \quad \text{stable}$$

$$x = -0.424 \text{ ft}$$

$$\frac{d^2V}{dx^2} = -12.2 < 0 \quad \text{unstable}$$

$$11-27. \theta = 90^\circ$$

$$\frac{d^2V}{d\theta^2} = 16 > 0 \quad \text{stable}$$

$$\theta = 36.9^\circ$$

$$\frac{d^2V}{d\theta^2} = -25.6 < 0 \quad \text{unstable}$$

$$11-29. V = 5886 \cos \theta + 9810 \sin \theta + 39\,240$$

$$\theta = 59.0^\circ$$

$$11-30. W_D = 275 \text{ lb}$$

$$11-31. h = 8.71 \text{ in.}$$

$$\frac{d^2V}{dh^2} = 70 > 0 \quad \text{stable}$$

$$11-33. V = 6.25 \cos^2 \theta + 7.3575 \sin \theta$$

$$+ 24.525a + 4.905b$$

$$\theta = 36.1^\circ$$

$$11-34. x = 1.23 \text{ m}$$

$$11-35. \theta = 70.9^\circ$$

$$\frac{d^2V}{d\theta^2} = 1777 > 0 \quad \text{stable}$$

$$\theta = 17.1^\circ$$

$$\frac{d^2V}{d\theta^2} = -1764 < 0 \quad \text{unstable}$$

$$11-37. V = -4.415 m_E \sin \theta$$

$$+ 202.5 \cos^2 \theta - 405 \cos \theta - 9.81 m_E b + 202.5$$

$$m_E = 7.10 \text{ kg}$$

$$11-38. \theta = 64.8^\circ$$

$$\frac{d^2V}{d\theta^2} = 135 > 0 \quad \text{stable}$$

$$\theta = 0^\circ$$

$$\frac{d^2V}{d\theta^2} = -72 < 0 \quad \text{unstable}$$

$$11-39. \theta = 20.2^\circ$$

$$\frac{d^2V}{d\theta^2} = 17.0 > 0 \quad \text{stable}$$

$$11-41. V = mg(r + a \cos \theta)$$

Thus, the cylinder is in unstable equilibrium at $\theta = 0^\circ$ (Q.E.D.)

$$11-42. h = 0$$

$$11-43. h = \sqrt{3} r$$

$$11-45. \bar{y} = \frac{1}{4}(h + d)$$

$$V = \frac{W(h - 3d)}{4} \cos \theta$$

$$d = \frac{h}{3}$$

11-46. $\theta = 0^\circ$, $\frac{d^2V}{d\theta^2} = -12.6 < 0$ unstable

11-47. $h = 1.35$ in.

11-49. $\bar{y} = \frac{6h^2 - d^2}{4(3h - d)}$

$$V = W \left[\frac{6h^2 - 12hd + 3d^2}{4(3h - d)} \right] \cos \theta$$

$$d = 0.586 h$$

11-50. $F = 512$ N

11-51. $\theta = 90^\circ$ and $\theta = \sin^{-1} \left(\frac{W}{2kL} \right)$

11-53. $V = 50 \sin^2 \theta - 100 \sin \theta - 50 \cos \theta + 50$

$$\theta = 37.8^\circ$$

$$\frac{d^2V}{d\theta^2} = 125.7 > 0 \quad \text{stable}$$

11-54. $P = \left(\frac{b-a}{2c} \right) mg$

11-55. $\theta = 90^\circ$

$$\frac{d^2V}{d\theta^2} = 1524 > 0 \quad \text{stable}$$

$$\theta = 9.47^\circ$$

$$\frac{d^2V}{d\theta^2} = -1775 < 0 \quad \text{unstable}$$

11-57. $V = 25 \sin^2 \theta + 15 \cos \theta$

$$\theta = 0^\circ$$

$$\frac{d^2V}{d\theta^2} = 35 > 0 \quad \text{stable}$$

$$\theta = 72.5^\circ$$

$$\frac{d^2V}{d\theta^2} = -45.5 < 0 \quad \text{unstable}$$

11-58. $h = \frac{2kl^2}{W}$

Index

A

- Angles, 44–47, 70, 80–81, 389–390, 414–415
 - Cartesian coordinate direction, 44–47, 80–81
 - formed between two vectors, 70, 81
 - friction and, 389–390, 414–415
 - kinetic friction (θ_k), 390
 - screw thread, 414–415
 - static friction (θ_s), 389
- Applied force (\mathbf{P}), 388
- Area, 450, 484–487, 511–517, 530–533, 558
 - axis of symmetry, 530–531
 - centroid (C) of an, 450
 - centroidal axis for, 512–513
 - composite shapes, 485, 522–524, 558
 - integration and, 450, 512
 - moments of inertia (I), 512–511, 522–524, 558
 - parallel-axis theorem for, 512–513, 522, 531, 558
 - planes, rotation of and, 484–487
 - procedures for analysis of, 514, 522
 - product of inertia for, 530–533, 558
 - radius of gyration for, 513
 - surface of revolution, 484
 - volume of revolution, 485
- Axial loads, frictional forces and, 429–430
- Axis of symmetry, 530–531
- Axis systems, 139–143, 183–187, 194, 511–517, 530–536, 550, 558
 - centroidal axis of, 512–513
 - distributed loads about, 511–513
 - inclined, 534–536
 - mass moments of inertia, 550
 - moments about, 139–143, 194
 - moments of inertia (I), 511–517, 534–536, 558
 - parallel-axis theorem, 512–513
 - polar moment of inertia, 512
 - principle moments of inertia, 535
 - procedure for analysis of, 514
 - product of inertia and, 530–533, 558
 - radius of gyration, 513, 550
 - resultant forces of, 139–143, 183–187, 194
 - single, 183–187
 - uniform distributed loads and, 183

B

- Ball-and-socket joints, 237–238, 240
- Base units, 7
- Beams, 329–364, 380
 - bending moments, 330, 280
 - cantilevered, 345

- centroid, 330
 - couple moments of, 356
 - distributed loads, 354–356
 - force equilibrium of, 355
 - internal forces of, 329–364, 380–382
 - method of sections for, 329–336
 - moments and, 355–356, 382
 - normal force and, 330, 380
 - procedures for analysis of, 331, 346
 - resultant forces of, 330, 380
 - shear and moment diagrams, 345–348, 381
 - shear force and, 330, 354–356, 380, 382
 - sign convention for, 331
 - simply supported, 345
 - torsional (twisting) moment, 330, 380
- Bearings, 237–240, 429–433, 443
- axial loads and, 429–430
 - collar, 429–430, 443
 - force reactions on, 237–240
 - frictional forces on, 429–433, 443
 - journal, 443
 - lateral loads and, 432
 - pivot, 429–430
 - rigid-body supports, 237–240
 - shaft rotation and, 429–433
- Belts (flat), frictional forces on, 421–423, 442
- Bending moments, 330, 280
- Bending-moment diagram, 345
- Bridge loads, trusses, 264

C

- Cables, 86–88, 365–380, 382
 - concentrated loads, 365–367
 - distributed loads of, 368–369
 - equilibrium and, 86–88
 - internal forces of, 365–380, 382
 - weight of as force, 372–375,
- Cantilevered beams, 345
- Cartesian vectors, 33, 43–55, 59–62, 69, 80–81, 122–123, 125
 - addition of, 46
 - coordinate direction angle, 44–47, 80–81
 - coplanar forces, notation for, 33
 - cross product from, 122–123
 - dot (scalar) product, 69, 81
 - line of action, 59–62, 81
 - magnitude of, 44, 47, 80
 - moment of a force from, 125
 - rectangular components, 43, 80
 - representation, 44
 - resultant force, 47, 81
 - right-hand rule for, 43
 - unit vectors, 43, 80
- Center of gravity, 7, 204, 446–509
 - center of mass and, 449, 505
 - centroid, and, 446–509
 - composite bodies, location in, 470–471, 506
 - free-body diagrams and, 204
 - location of, 447–448, 505
 - Newton's law for, 7
 - procedure for analysis of, 452, 471
 - weight (W) and, 204
- Center of mass, 449, 460, 474, 505
- Centroid, 184, 195, 330, 446–509
 - area, of a, 450, 484
 - beam cross-section location, 330
 - center of gravity and, 446–509
 - composite bodies, location in, 470–473, 485, 506
 - distributed loads and, 493, 507
 - fluid pressure and, 494–500, 507
 - line, of a, 450–451
 - location of, 449–459, 505
 - method of sections and, 330
 - procedure for analysis of, 452, 471
 - resultant force, location of, 184, 195, 330
 - resultant forces and, 493
 - theorems of Pappus and Guldinus, 484–487, 506
 - volume, of a, 449, 482
- Centroidal axis, 512–513
- Coefficient of kinetic friction (μ_k), 390, 441
- Coefficient of rolling resistance (a), 434–435, 443
- Coefficient of static friction (μ_s), 389, 441
- Collar bearings, frictional forces on, 429–430, 443
- Collinear vectors, 19, 79
- Commutative law, 69
- Composite bodies, 470–474, 485, 522–524, 550, 558
 - area of revolution of, 485
 - center of gravity of, 470–474
 - mass moment of inertia, 550
 - moments of inertia (I), 522–524, 550, 558
 - procedure of analysis for, 471, 522
 - volume of revolution of, 485
- Compressive force members, trusses, 265–267, 280, 323
- Concentrated force, 5
- Concentrated loads, cables subjected to, 365–367
- Concurrent force systems, 170, 264
 - resultant force of, 170
 - truss joint connections, 264

- Conservative forces, 579–581, 595
 potential energy and, 580–581, 595
 spring force, 579–580
 virtual work and, 579–581, 595
 weight, 579–580
- Constraints, 243–251, 259
 improper, 244–245
 redundant, 243
 statical determinacy and, 243–251, 259
- Continuous cable, 86
- Coordinate direction angles, 44–47, 80–81
- Coplanar forces, 32–42, 89–93, 113, 170–171, 200–236, 258–259, 263–264, 266
 Cartesian vector notation for, 33
 center of gravity (G), 204
 equations of equilibrium, 89, 214–223
 equilibrium of, 89–93, 113, 200–236, 258–259
 free-body diagrams, 86–88, 113, 201–210, 258–259
 idealized models, 204–205
 internal forces, 204
 moments of force and couple systems, 170–171
 particle systems, 89–93, 113
 procedures for analysis of, 87, 90, 206, 215
 resultant forces, 33–34, 170–171
 rigid bodies, 200–236, 258–259
 scalar notation for, 32
 support reactions, 201–203
 three-force members, 224
 truss analysis, 263–264, 266
 two-force members, 224
 vector addition of, 32–42
 weight (W), 204
- Coulomb friction, *see* Dry friction
- Couple moments, 148–153, 194, 356, 564
 beam segments, 356
 equivalent, 149
 parallel forces of, 148–153, 194
 resultant, 149
 rotation, 564
 scalar formulation, 148
 translation, 564
 vector formulation, 148
 virtual work of, 564
- Cross product, 121–123
- Curved plates, fluid pressure and, 496
- Cylinders, rolling resistance of, 434–435, 443
- D**
- Deformable-body mechanics, 3
- Dimensional homogeneity, 10–11
- Disks, 429–430, 443, 545–546, 548, 559
 frictional forces on, 429–430, 443
 mass moments of inertia of, 545–546, 548, 559
- Displacement of virtual work, 564–566, 582, 594
- Distributed loads, 183–187, 195, 354–356, 368–369, 493, 507, 511–512
 beams subjected to, 354–356
 cables subjected to, 368–369
 distributed loads and, 493, 507
 flat surfaces, 493, 507
 force equilibrium, 355
 internal forces and, 354–356, 368–369
 line of action, 493, 507
 location of, 184, 493
 magnitude, 183, 493
 moments of inertia and, 511–512
 reduction of, 183–187, 195
 resultant forces, 184, 493
 shear force and, 354–355
 single-axis, 183–187
 uniform, 183, 354
- Distributive law, 69
- Dot (scalar) product, 69–73, 81
- Dry friction, 387–433, 441–443
 angles of, 389–390, 414–415
 applied force and, 388
 bearings, forces on, 429–433, 443
 characteristics of, 387–392, 441
 coefficients of (μ), 389–390, 441
 direction of force and, 394
 equilibrium and, 388, 391, 394
 impending motion and, 389, 392–393, 414–415
 kinetic force, 390–391, 441
 motion and, 390–391
 problems involving, 392–399
 procedure for analysis of, 394
 screws, forces on, 414–416, 442
 slipping, and, 389–393
 static force, 389, 391, 441
 theory of, 388
- Dynamics, 3
- E**
- Elastic potential energy, 580
- Equilibrium, 84–115, 198–261, 388, 391, 394, 565–566, 582–588, 595
 conditions for, 85, 199–200
 coplanar (two-dimensional) systems, 89–93, 113, 200–236, 258–259
 criterion for, 582
 direction of force and, 394
- equations of, 89, 103, 214–223, 242, 565–566
- free-body diagrams, 86–88, 113, 201–210, 237–241, 258–259
- friction and, 388, 391, 394
- frictionless systems and, 582
- neutral, 583
- one-degree of freedom systems, 584–588
- particles, 84–115
- potential-energy and, 582–588, 595
- procedures for analysis of, 90, 103, 215, 246, 585
- rigid-bodies, 198–261, 582
- stable, 583
- three-dimensional systems, 103–107, 113, 237–257, 259
- three-force coplanar members, 224
- tipping effect and, 388
- two-force coplanar members, 224
- unstable, 583
- virtual work and, 565–566, 582–588, 595
- Equivalent, force and couple systems, 160–165, 170–177, 195
 concurrent force, 170
 coplanar force, 170–171
 moments, 161
 parallel force, 171
 perpendicular lines of action, 170–177
 procedure for analysis of, 162, 172
 reduction of forces, 160–165
 resultants of, 160–165, 170–177, 195
 wrench (screw), force reduction to, 173, 195
- F**
- Fixed supports, 201–203
- Flat plates, fluid pressure and, 495, 497
- Floor beams, trusses, 264
- Fluid mechanics, 3
- Fluid pressure, 494–500, 507
 centroid (C) and, 494–500, 507
 curved plate of constant width, 496
 flat plate of constant width, 495
 flat plate of variable width, 497
 Pascal's law, 494
- Foot-pound, unit of, 564
- Force, 4, 5, 8, 16–83, 84–115, 116–197, 198–261, 328–385, 564, 579–581, 594–595.
See also Friction; Weight
 addition of, 20–42
 beams subjected to, 329–364, 380

- cables subjected to, 368–369, 382
 - components of, 20–21
 - concentrated, 5
 - concurrent systems, 170
 - conservative, 579–581, 595
 - coplanar systems, 32–42, 89–93, 113, 170–171, 200–236, 258–259
 - equilibrium and, 84–115, 198–261, 355
 - equivalent (force and couple) systems, 160–165, 170–177, 195
 - free-body diagrams (FBD), 86–88, 113, 201–210
 - internal, 328–385
 - line of action, 59–62, 81
 - mechanical concept of, 4
 - moments of, 116–197
 - multiple, 21
 - normal, 330, 380
 - parallel systems, 171
 - particle equilibrium and, 84–115
 - potential energy and, 580–581, 595
 - procedures for analysis of, 22, 87, 90, 103
 - reactive, 160
 - resultant, 20–26, 85, 116–197, 330, 380
 - rigid-body equilibrium and, 84–115, 198–261
 - shear, 330, 354–356, 380, 382
 - spring, 579–580
 - three-dimensional systems, 103–107, 113, 237–257, 259
 - units of, 8
 - vectors and, 16–83
 - virtual work of a, 564, 579, 594
 - wrench systems, 173, 195
- Frames, 294–322, 325**
- free-body diagrams for, 294–299
 - multiforce members, design of, 294–309
 - procedure for analysis of, 301
 - structural analysis of, 294–322, 325
- Free-body diagrams (FBD), 86–88, 113, 201–210, 237–241, 258–259, 294–299**
- cables and pulleys, 86–88
 - center of gravity, 204
 - coplanar (two-dimensional), 201–210, 258
 - idealized models, 204–205
 - internal forces, 204
 - particle equilibrium, 86–88, 113
 - procedure for analysis of, 87, 206
 - rigid-body equilibrium, 201–210, 237–241, 258–259
 - springs, 86–88
 - structural analysis and, 294–299
 - support reactions, 201–203, 237–240
 - three-dimensional, 237–241, 259
 - weight, 204
- Free vector, 160**
- Friction, 386–445, 580**
- axial loads and, 429–430
 - belts (flat), forces on, 421–423, 442
 - collar bearings, forces on, 429–430, 443
 - disks, forces on, 429–430, 443
 - dry, 387–433, 441
 - equilibrium and, 388, 391, 394
 - force of, 387
 - journal bearings, forces on, 432–433, 443
 - kinetic force, 390–391, 441
 - lateral loads and, 432
 - nonconservative force, as a, 580
 - pivot bearings, forces on, 429–430
 - procedure for analysis of, 394
 - rolling resistance and, 434–435, 443
 - screws, forces on, 414–416, 442
 - shaft rotation and, 429–433, 443
 - static force, 389, 391, 441
 - virtual work and, 580
 - wedges and, 412–413, 442
- Frictionless systems, 567–582**
- G**
- Gravitational potential energy, 580
 - Gravity, *see* Center of gravity
 - Gusset plate, 264
- H**
- Hinge supports, 237, 239
- I**
- Idealized models, 204–205
 - Inclined axis, moments of inertia about, 534–536
 - Independent coordinates for, 567–568, 594
 - Inertia, *see* Moments of inertia
 - Integrals, 450, 511–512
 - Internal force, 204, 328–385
 - beams subjected to, 329–364, 380–382
 - bending moments, 330, 280
 - cables subjected to, 365–380, 382
 - couple moments, 356
 - distributed loads, 354–356, 368–369
 - force equilibrium, 355
 - free-body diagrams and, 204
 - method of sections for, 329–336
 - moments and, 330, 355–356, 380, 382
 - normal force and, 330, 380
 - procedures for analysis of, 331, 346
 - resultant forces, 330, 380
- International System (SI) of units, 8–10**
- prefixes, 9
 - rules for use, 10
 - units of measurement, as, 8
- J**
- Joint connections, loads applied to, 264–266
 - Joule, 564
 - Journal bearings, frictional forces on, 432–433, 443
- K**
- Kinetic friction force, 390–391, 441
- L**
- Lateral loads, frictional forces and, 432
 - Length, 4, 8
 - Line of action, 59–62, 81, 170–172, 493, 507
 - distributed loads, 493, 507
 - force vectors and, 59–62, 81
 - perpendicular, 170–172
 - resultant forces, 493, 507
 - Linear elastic springs, 86
 - Lines, centroid of, 450–451
 - Loads, *see* Concentrated loads; Distributed loads
- M**
- Machines, 294–322, 325
 - free-body diagrams for, 294–299
 - multiforce members, design of, 294–309
 - procedure for analysis of, 301
 - structural analysis of, 294–322, 325
 - Magnitude, 44, 47, 80, 118, 122, 124, 183, 493
 - Cartesian vectors, 44, 47, 80
 - cross product, 121
 - distributed loads, 183, 493
 - moment of a force, 118, 124
 - resultant forces, 493
 - Mass, 4, 8, 449
 - center of, 449
 - mechanical concept of, 4
 - units of, 8
 - Mass moments of inertia, 545–552, 559
 - axis systems, 550
 - composite bodies, 550–552
 - disk elements, 545–546, 584, 559
 - radius of gyration for, 550
 - shell elements, 545–547, 559

- Mechanics, 3–7
 concentrated force, 5
 deformable-body, 3
 fluid, 3
 Newton's laws, 6–7
 particles, 5
 quantities of, 4
 rigid-body, 3, 5
 weight, 7
- Method of joints, 266–279, 323
- Method of sections, 280–289, 324, 329–336, 380
 beams, 329–336, 380
 centroid for, 330
 compressive force members, 280
 internal forces and, 329–336, 380
 procedures for analysis of, 282, 331
 tensile force members, 280–281
 trusses, 280–289, 324
- Mohr's circle, 537–539
- Moments, 116–197, 330, 355–356, 380, 382
 axis, about an, 139–143, 194
 beams, 330, 355–356, 380, 382
 bending, 330, 380
 Cartesian vector formulation, 125
 changes in (ΔM), 355–356
 couple, 148–153, 194, 356
 direction of, 118, 124
 equivalent (force and couple) systems, 160–165, 170–177, 195
 force system resultants and, 116–197
 internal forces and, 330, 355–356, 380, 382
 magnitude of, 118, 122, 124
 principle of, 128–130
 resultant (M_R), 118, 125, 149, 170–171, 184
 scalar formulation, 117–120, 139, 148, 193
 shear and, relationship of, 355–356
 torsional (twisting), 330, 380
 transmissibility, principle of, 124
 Varignon's theorem, 128–130
 vector formulation, 124–127, 140, 148, 193
- Moments of inertia, 510–561
 area, 512–517, 522–524, 558
 axis systems, 511–517, 530–536, 550, 558
 composite shapes, 522–524, 550, 558
 disk elements, 545–546, 548, 559
 distributed loads and, 511–512
 inclined axis, area about, 534–536
 integrals, 511–512
 mass, 545–552, 559
- Mohr's circle for, 537–539
 parallel-axis theorem for, 512–513, 522, 531, 549, 558
 polar, 512
 principle, 535–536, 559
 procedures for analysis of, 514, 522, 538
 product of inertia and, 530–533, 558
 radius of gyration for, 513, 550
 shell elements, 545–547, 559
- Motion, 6, 389–393, 414–415, 429–433, 441, 449, 564–566, 582, 594
 displacement of virtual work, 564–566, 582, 594
 downward, 415, 565
 dry friction and, 389–393, 414–415, 441
 dynamic response, 449
 impending, 389, 392–393, 414–415
 Newton's laws of, 6
 rotation of a couple moment, 564
 screws and, 414–415
 shaft rotation, 429–433
 slipping, 389–393, 441
 tipping, 388, 393, 441
 translation of a couple moment, 564
 upward, 414
 virtual, 565
- Multiplicative scalar law, 69
- N**
- Neutral equilibrium, 583
- Newton's laws, 6–7
 gravitational attraction, 7
 motion, 6
- Normal force, 330, 380
- Numerical calculations, 10–11, 18–83
 dimensional homogeneity, 10–11
 rounding off numbers, 11
 significant figures, 11
 vector operations for, 18–83
- O**
- One (single) degree-of-freedom systems, 584–588
- P**
- Pappus and Guldinus, theorems of, 484–487, 506
- Parallel-axis theorem, 512–513, 522, 531, 549, 558
 centroidal axis for, 512–513
 composite shapes, 522
 moments of inertia, 512–513, 522, 588
 products of inertia, 531, 558
- Parallel systems, resultant force of, 171
- Parallelogram law, 18–19, 79
- Particles, 5, 84–115
 coplanar force systems, 89–93, 113
 equations of equilibrium, 89, 103
 equilibrium of, 84–197
 force conditions, 84–115
 free-body diagrams (FBD), 86–88, 113
 idealization of, 5
 procedures for analysis of, 87, 90, 103
 resultant force, 85
 three-dimensional force systems, 103–107, 113
- Pascal's law, 494
- Pin supports, 201–203, 239–240, 264
 coplanar force systems, 201–203
 three-dimensional force systems, 239–240
 truss load connections, 264
- Pivot bearings, frictional forces on, 429–430
- Planar truss, 263–289
- Plates, 494–500, 507
 centroid of, 494–500, 507
 curved of constant width, 496
 flat of constant width, 495
 flat of variable width, 497
 fluid pressure and, 494–500, 507
- Polar moments of inertia, 512
- Position coordinate, 568, 581–582, 594–595
- Position vectors, 56–58, 81
 right-hand rule for, 56
 x, y, z coordinates, 56–57, 81
- Potential energy, 580–588, 595
 conservative forces and, 578–581, 595
 elastic, 580
 equilibrium stability of, 583–588, 595
 frictionless systems, 582
 function of, 581
 gravitational, 580
 position coordinate (q), 581–582, 595
 procedure for analysis of, 585
 single degree-of-freedom systems, 581, 584
 stability of systems using, 583–588, 595
 virtual work and, 580–582, 595
- Pressure, *see* Fluid pressure
- Principle moments of inertia, 535–536, 559
- Product of inertia, 530–533, 558
 area minimum and maximum moments, 530–533, 558
 axis of symmetry, 530–531
 parallel-axis theorem for, 531
- Projection of components, 70, 81
- Pulleys, equilibrium and, 86–88
- Purlins, 263

R

Radius of gyration, 513, 550
 Reactive force, 160
 Rectangular components, 43, 80
 Resultant force, 20–26, 33–34, 47, 80–81, 85, 116–197, 330, 380, 493, 507
 axis, moments about an, 139–143, 194
 Cartesian vectors and, 47, 80–80
 centroid for location of, 184, 195, 330
 components, 20–26
 concurrent systems, 170
 coplanar systems, 33–34, 170–171
 couple moments, 148–153, 194
 cross product, 121–123
 distributed loads and, 183–187, 195, 493, 507
 equilibrium of a particle and, 85
 equivalent (force and couple) systems, 160–165, 170–177, 195
 internal forces, 330, 380
 line of action, 493, 507
 magnitude of, 493
 moments, 118, 125, 149, 170–171, 184
 parallel systems, 171
 procedures for analysis of, 162, 172
 scalar formulation, 117–120, 139, 148, 193
 system moments of, 116–197
 transmissibility, principle of, 124, 160
 vector formulation, 124–127, 140, 148, 193
 wrench (screw) systems, 173, 195
 Right-hand rule, 43, 56, 80, 121–122
 Cartesian vector coordinates, 43, 56
 cross-product direction, 121–122
 moment direction, 118
 Rigid bodies, 3, 5, 198–261, 567–572, 594
 center of gravity, 204
 connected, 567–572
 constraints, 243–251, 259
 coplanar force systems, 200–236, 258–259
 equations of equilibrium, 89, 103, 214–223, 242
 equilibrium of, 198–261, 565–566, 582–588, 595
 free-body diagrams (FBD), 201–210, 237–241, 258–259
 idealization of, 5
 idealized models, 204–205
 independent coordinates, 567–568, 594

internal forces, 204
 mechanics, 3
 position coordinates, 568, 594
 procedures for analysis of, 206, 215, 246, 568
 statically indeterminate, 243, 246, 259
 support reactions, 201–203, 237–240
 three-dimensional systems, 237–257, 259
 three-force coplanar members, 224
 two-force coplanar members, 224
 virtual work for, 567–572, 594
 weight, 204
 Roller supports, 201–202
 Rolling resistance, 434–435, 443
 Roof loads, trusses, 263
 Rotating shafts and friction, 429–433, 443
 Rotation of a couple moment, 564
 Rounding off numbers, 11

S

Scalar analysis, 117–120, 139, 148, 193, 242
 axis, moments about an, 139
 couple moments, 148
 equations of equilibrium, 242
 moments of a force, 117–120, 193
 Scalar notation, 32
 Scalars and vectors, 17–18, 79
 Screws, 414–416, 442
 downward impending motion, 415
 friction forces on, 414–416, 442
 self-locking, 415
 thread angle, 414–415
 upward impending motion, 414
 Shaft rotation, 429–433
 Shear and moment diagrams, 345–348, 381
 Shear force, 330, 354–356, 380, 382
 beams subjected to, 330, 354–355, 380, 382
 changes in, 355–356
 distributed loads and, 354–355
 moments and, 355
 Shell elements, mass moments of inertia of, 545–547, 559
 Significant figures, 11
 Simple truss, 265
 Simply supported beams, 345
 Single-axis distributed loads, 183–187
 Sliding vector, 160
 Slipping, 389–393, 441
 dry friction and, 389–393, 441
 impending motion of, 389, 392–393
 motion of, 390–391
 Slug, 8

Space truss, 290–293
 Specific weight, 470
 Spring force, 579–580
 conservative force, as a, 579
 elastic potential energy, 580
 Springs, 86–88
 constant, 86
 equilibrium and, 86–88
 Stability of a system, *see* Equilibrium
 Stable equilibrium, 583
 Static friction force, 389, 391, 441
 Statically indeterminate bodies, 243, 246, 259
 Statics, 2–15
 development of, 4
 mechanics and, 3–7
 numerical calculations, 10–11
 procedure for analysis, 12
 quantities of, 4
 units of measurement, 7–10
 Stiffness, 86
 Stringers, 264
 Structural analysis, 262–327
 frames, 294–322, 325
 free-body diagrams for, 294–299
 machines, 294–322, 325
 method of joints, 266–279, 323
 method of sections, 280–289, 324
 procedures for, 267, 282, 290, 301
 trusses, 263–293, 323–325
 zero-force members, 272–274
 Structural members, *see* Beams
 Support reactions, 201–203, 237–240
 ball-and-socket joint, 237–238, 240
 bearing, 237–240
 coplanar rigid-body systems, 201–203
 fixed, 201–203
 hinge, 237, 239
 pin, 201–203, 237, 239–240
 roller, 201–202
 three-dimensional rigid-body systems, 237–240
 Surface area of revolution, 484
T
 Tensile force members, trusses, 265–267, 280–281, 323
 Tension and belt friction, 421–422
 Tetrahedral truss, 290
 Three-dimensional force systems, 103–107, 113, 237–257, 259
 constraints, 243–251, 259
 equations of equilibrium, 103, 242
 free-body diagrams (FBD), 237–241, 259

- particle equilibrium, 103–107, 113
 - procedure for analysis of, 90, 246
 - rigid-body equilibrium, 237–257, 259
 - statically indeterminate, 243, 246, 259
 - Three-force coplanar members, 224
 - Time, 4, 8
 - Tipping effect, 388, 393, 441
 - Torque, 117
 - Torsional (twisting) moment, 330, 380
 - Translation of a couple moment, 564
 - Transmissibility, principle of, 124, 160
 - Triangular truss, 265
 - Trusses, 263–293, 323–325
 - compressive force members, 265–267, 280, 323
 - coplanar loads on, 263–264, 266
 - design assumptions for, 264–264, 290
 - joint connections, 264–265
 - method of joints, 266–279, 323
 - method of sections, 280–289, 324
 - planar, 263–289
 - procedures for analysis of, 267, 282, 290
 - simple, 265
 - space, 290–293
 - tensile force members, 265–267, 280–281, 323
 - zero-force members, 272–274
 - Two-dimensional systems, *see* Coplanar force
 - Two-force coplanar members, 224
- U**
- U.S. Customary (FPS) of units, 8
 - Uniform distribute loads, 183, 354
 - Unit vectors, 43, 59, 80
 - Units of measurement, 7–10
 - conversion of, 9
 - International System (SI) of units, 8–10
 - U.S. Customary (FPS) of units, 8
 - Unstable equilibrium, 583
- V**
- Varignon's theorem, 128–130
 - Vector analysis, 124–127, 140, 148, 193, 242
 - axis, moments about an, 140
 - Cartesian, 125
 - couple moments, 148
 - equations of equilibrium, 242
 - magnitude from, 124
 - moments of a force, 124–127, 193
 - resultant moment (M_R) from, 125
 - right-hand rule for, 124
 - transmissibility, principle of, 124
 - Vectors, 16–83, 121–123, 160
 - addition, 18–22, 32–37, 46
 - angles formed between, 70, 81
 - Cartesian, 43–55, 80–81, 122–123
 - collinear, 19, 79
 - coplanar forces, 32–42
 - cross product, 121–123
 - division, 18
 - dot (scalar) product, 69–73, 81
 - forces and, 20–42, 59–62
 - free, 160
 - line of action, 59–62, 81
 - multiplication, 18
 - notation for, 32–33
 - parallelogram law, 18–19, 79
 - position, 56–58, 81
 - procedure for analysis of, 22
 - projection of components, 70, 81
 - rectangular components, 43, 80
 - resultant force, 20–26, 33–34
 - right-hand rule for, 43, 56, 121–122
 - scalars and, 17–18, 79
 - sliding, 160
 - subtraction, 19
 - Virtual work, 562–597
 - conservative forces and, 579–581
 - couple moment, of a, 564
 - displacement (δ) and, 564–566, 582, 594
 - equilibrium and, 565–566, 582–588, 595
 - force, of a, 564
 - friction and, 580
 - frictionless systems, 567–582
 - independent coordinates for, 567–568, 594
 - joules (J) as unit of, 564
 - one degree-of-freedom system, 567, 581, 584, 594
 - position coordinate for, 568, 581–582, 595
 - potential energy and, 580–582, 595
 - principle of, 563–578, 594
 - procedures for analysis of, 568, 585
 - rigid-body systems and, 567–572
 - spring force and, 579
 - stability of a system, 583–588, 595
 - weight and, 579
- Volume**, 449, 485
 - centroid of a, 449
 - revolution of a plane area, 485
- W**
- Wedges, friction forces and, 412–413, 442
 - Weight, 7–8, 204, 372–375, 470, 579–580
 - cables subjected to own, 372–375
 - center of gravity and, 204
 - composite bodies, 470
 - conservative force, as a, 579
 - free-body diagrams and, 204
 - gravitational force of, 7
 - gravitational potential energy, 580
 - units of measurement, 8
 - virtual work and, 579–580
 - Work, *see* Virtual work
 - Wrench (screw) systems, force reduction to, 173, 195
- X**
- x, y, z coordinates, 56–57, 81
- Z**
- Zero-force truss members, 272–274